

1:1 Transmission Line with Tap Transformer

50 - 1200 MHz



MABAES0029

Rev. V7

Features

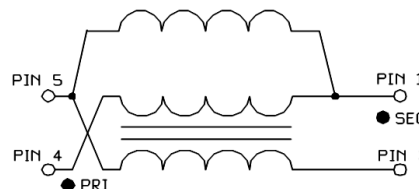
- Surface Mount
- 1:1 Impedance Ratio
- Available on Tape & Reel
- RoHS* Compliant
- 260°C Reflow Compatible

Description

The MABAES0029 is a 1:1 transmission line transformer with tap in a surface mount package.

Ideally suited for CATV Broadband applications.

Functional Schematic



Pin Configuration

Pin #	Function
1	Output Thru Leg
2	No Connection
3	Output Coupled Leg
4	Input
5	Ground

Electrical Specifications: Freq. = 50 - 1200 MHz, T_A = 25°C, Z₀ = 75 Ω, P_{IN} = 0 dBm

Parameter	Conditions	Units	Min.	Typ.	Max.
Impedance Ratio	—	ratio	—	1:1	—
Insertion Loss (Pin4 - Pin3)	50 - 600 MHz	dB	—	0.8	1.0
	600 - 1200 MHz			1.2	1.5
Insertion Loss (Pin4 - Pin1)	50 - 600 MHz	dB	—	0.8	1.0
	600 - 1200 MHz			1.2	1.5
Amplitude Balance	50 - 600 MHz	dB	—	0.1	0.2
	600 - 1200 MHz			0.4	0.8
Phase Balance	50 - 600 MHz	deg.	—	1.0	3.0
	600 - 1200 MHz			4.0	10.0

Ordering Information

Part Number	Description
MABAES0029	1500 piece reel

Absolute Maximum Ratings

Parameter	Absolute Maximum
RF Input Power	0.5 W
DC Current	500 mA
Operating Temperature	-40°C to +85°C

1:1 Transmission Line with Tap Transformer

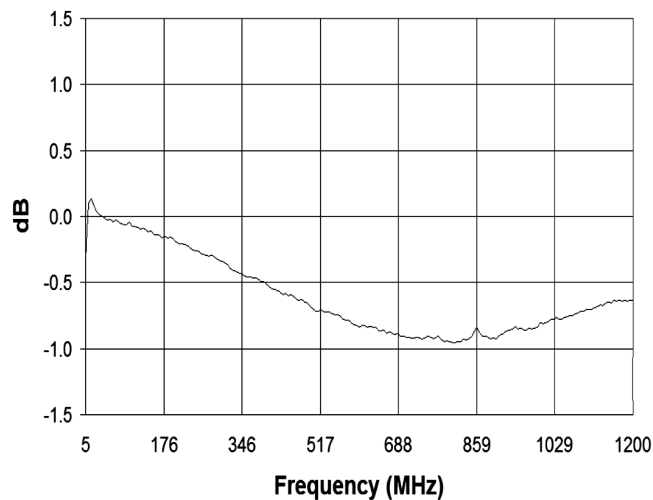
50 - 1200 MHz



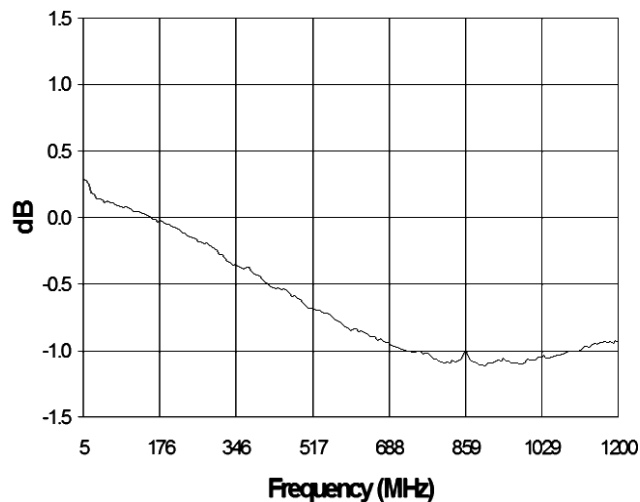
MABAES0029
Rev. V7

Typical Performance Curves

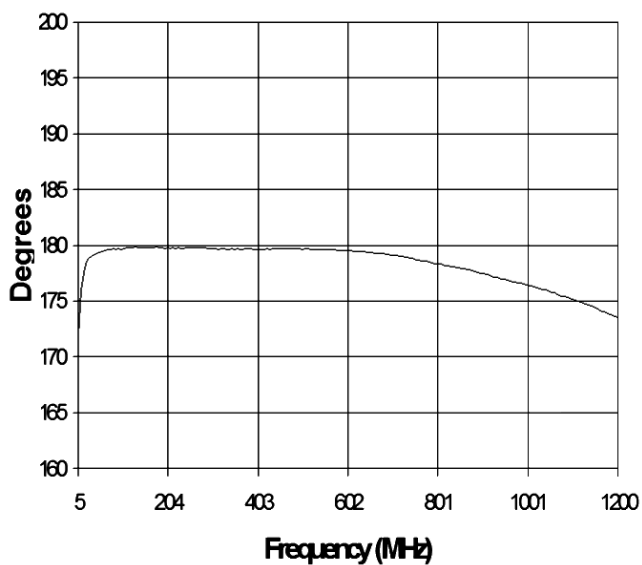
Insertion Loss (Pin 4-1)



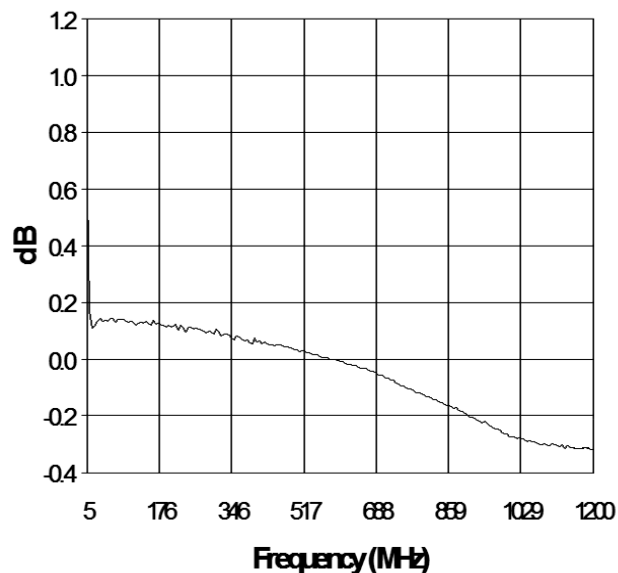
Insertion Loss (Pin 4-3)



Phase Balance



Amplitude Balance

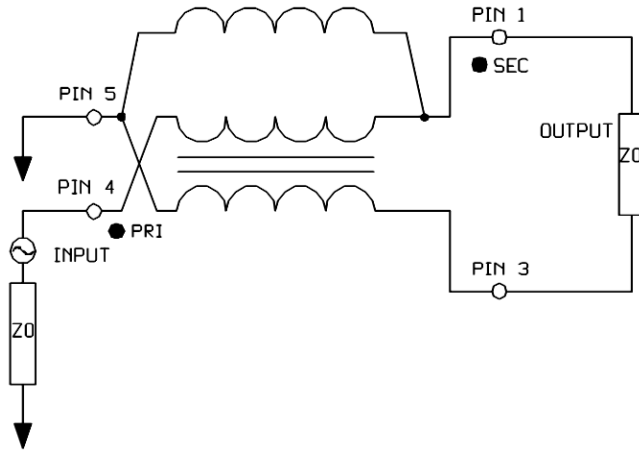


1:1 Transmission Line with Tap Transformer 50 - 1200 MHz

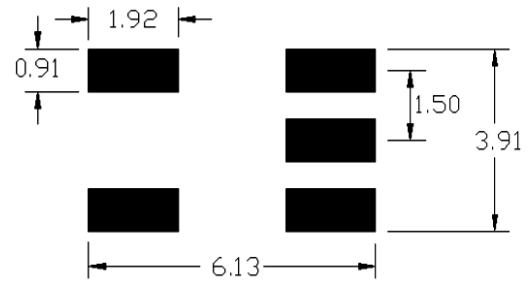


MABAES0029
Rev. V7

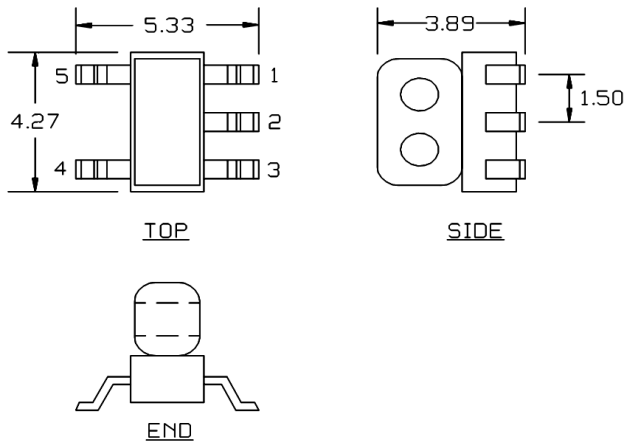
Application Circuit



PCB Layout



Lead-Free Outline Drawing



Tape & Reel Information

Parameter	Units	Value
Qty per reel	-	1500
Reel size	mm	330
Tape width (W)	mm	16.00
Pitch (P ₁)	mm	8.00
Orientation	-	F28
Reference Application note ANI-019 for orientation		

Dimensions in mm.
Tolerance: ± 0.2 mm unless otherwise noted.
Model number and lot code are printed on the reel.
Lead plating: SAC-305.