

## 2 Way 0° Power Divider 5 – 1218 MHz

Rev. V1

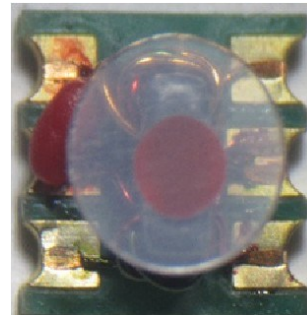
### Features

- 2 Way 0 Degree
- Surface mount
- Available on tape and reel
- 260° reflow compatible
- RoHS compliant and Pb free
- Excellent temperature stability
- Suitable for all CATV, Broadband and FTTX applications

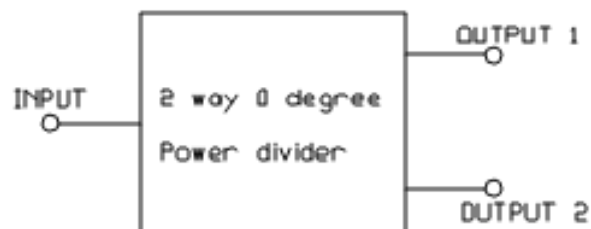
### Description

The MAPD-011039 is a 2 way 0 degree power divider in a low cost surface mount package.

Ideally suited for high volume CATV/VSAT applications.



### Functional Schematic



### Ordering Information

Part Number	Package
MAPD-011039	Tape & Reel
MAPD-011039-TB	Customer Test Board

### Pin Configuration

Pin No.	Function
1	Ground
2	External 0.5 pF Capacitor
3	Output 2
4	Output 1
5	External 0.5 pF Capacitor
6	Input

## 2 Way 0° Power Divider 5 – 1218 MHz

Rev. V1

Electrical Specifications:  $T_A = 25^\circ\text{C}$ ,  $Z_0 = 75 \Omega$ ,  $P_{in} = 0\text{dBm}$

Parameter	Conditions	Units	Min.	Typ.	Max.
Impedance	-	$\Omega$	-	75	-
Power Split	-	dB	-	3	-
Insertion Loss (Above 3dB)	5 - 50 MHz	dB	-	0.60	0.7
	50 - 500 MHz			0.70	0.8
	500 - 1218 MHz			1.20	1.3
Amplitude Balance	5 - 1000 MHz	dB	-	0.5	$\pm 0.6$
	1000 - 1218 MHz		-	0.6	$\pm 0.7$
Phase Balance	5 - 1218 MHz	$^\circ$	-	2.5	$\pm 4$
Input Return Loss	5 - 1218 MHz	dB	20	22	-
Output Return Loss	5 - 50 MHz	dB	18	20	-
	50 - 1218 MHz		20	22	
Isolation (between outputs)	5 - 50 MHz	dB	26	30	-
	50 - 1218 MHz		28	29	

### Recommended Maximum Ratings

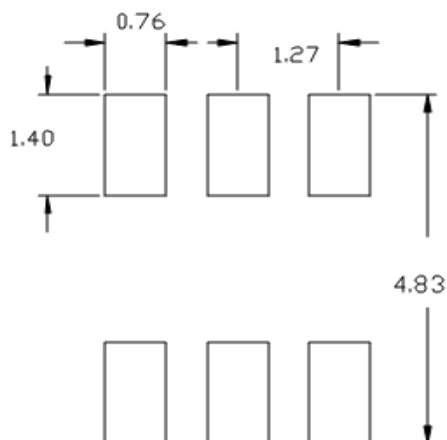
Parameter	Units	Min	Max
Input Power	W	-	1
Internal Load Dissipation	W	-	0.125
Operating Temperature Range	$^\circ\text{C}$	-40	+85

Full temperature plots available on request

## 2 Way 0° Power Divider 5 – 1218 MHz

Rev. V1

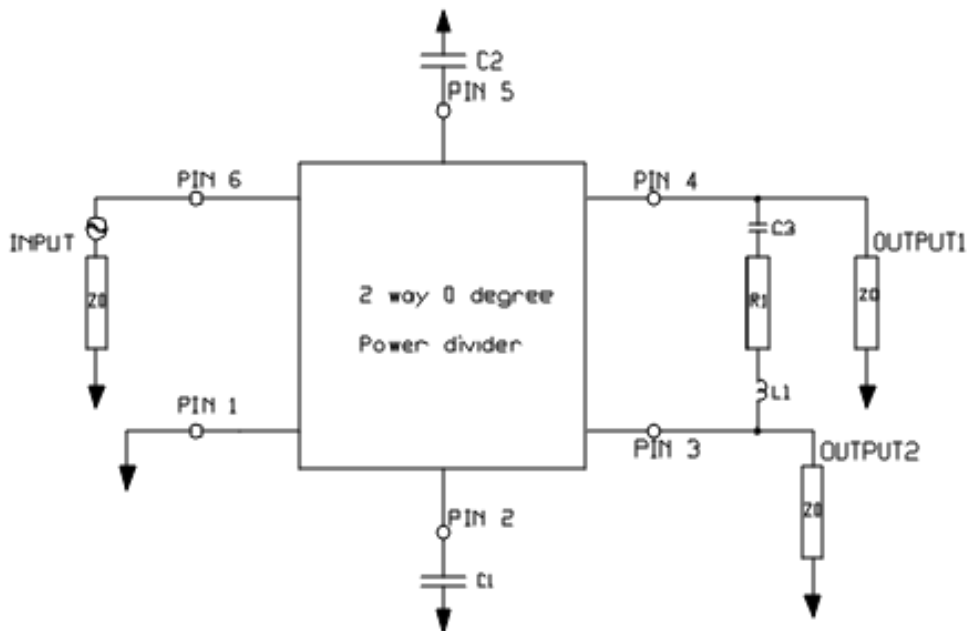
### PCB Layout



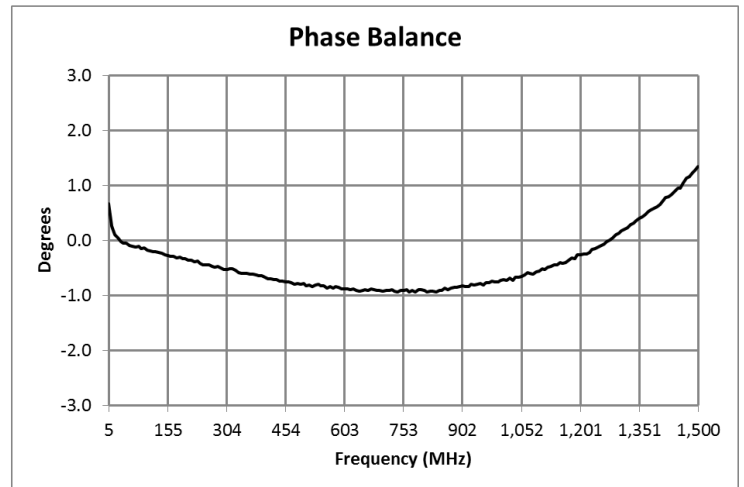
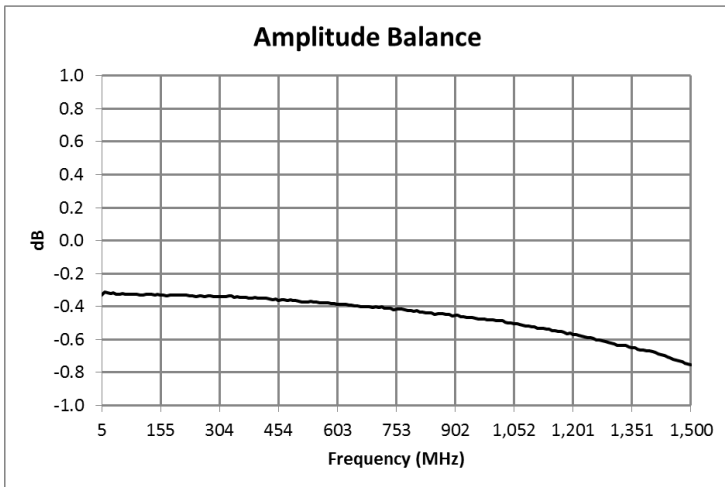
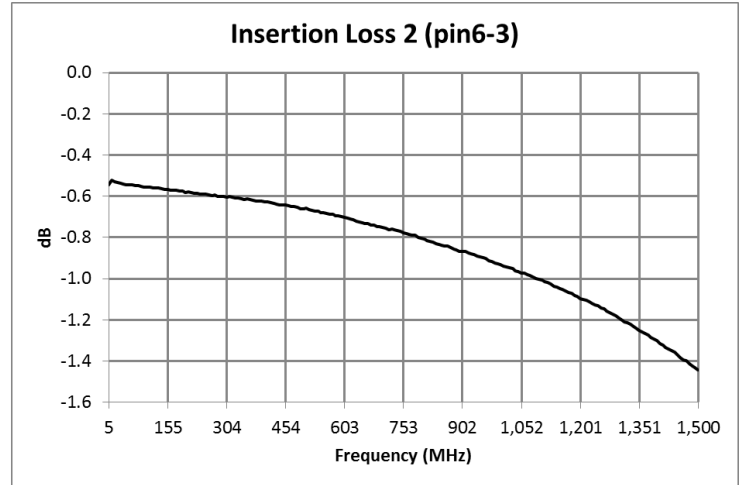
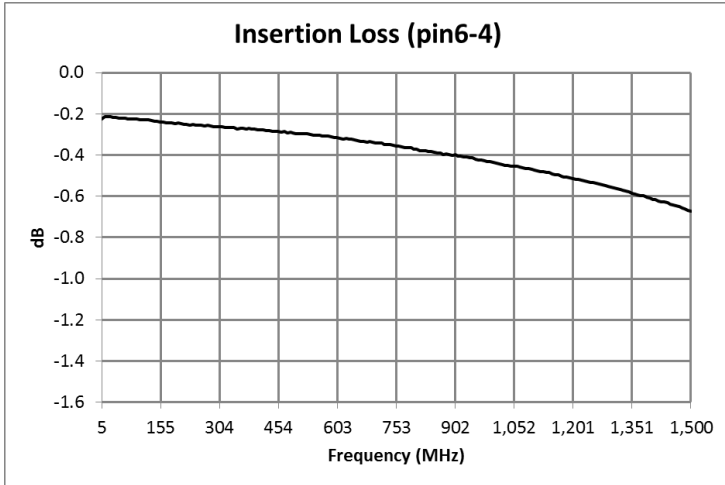
### Parts List

REF	DESCRIPTION	P/N
R1	RES,0402	240 Ω
L1	IND,0402	12 nH
C1	CAP,0402	0.5 pF
C2	CAP,0402	0.5 pF
C3	CAP,0402	560 pF

### Application Circuit

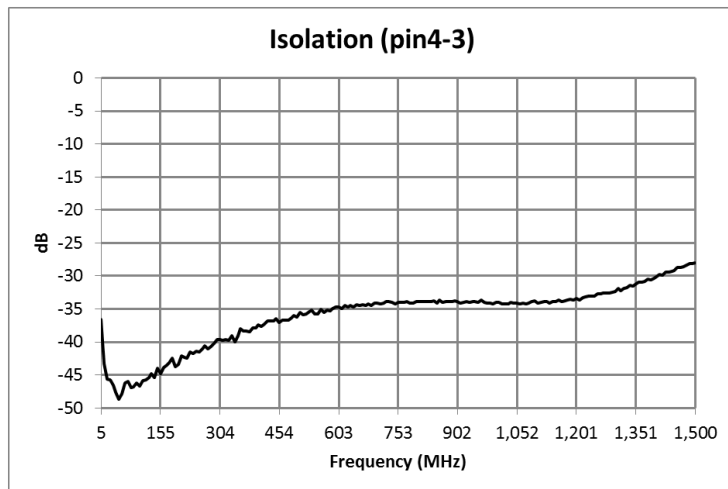
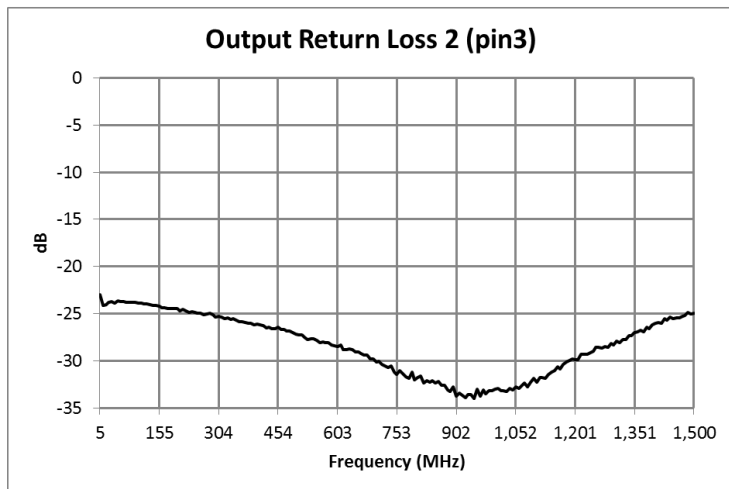
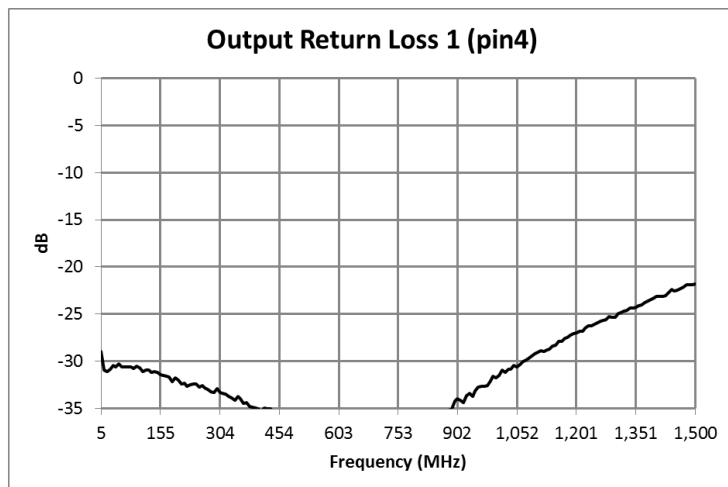
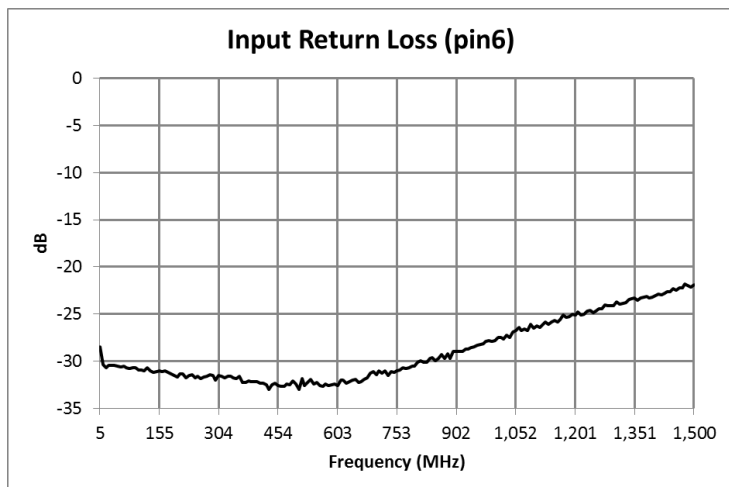


## Typical Performance Curves



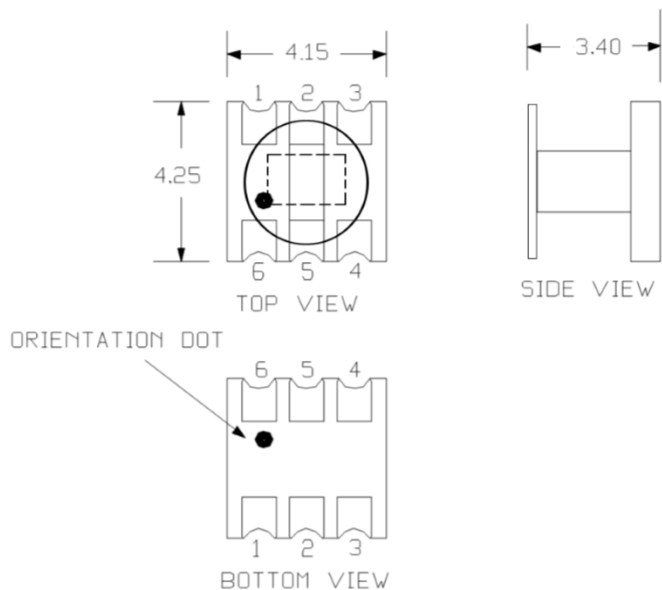
**Electrical Specifications:  $T_A = 25^\circ\text{C}$ ,  $Z_0 = 75 \Omega$ ,  $P_{in} = 0\text{dBm}$**

## Typical Performance Curves

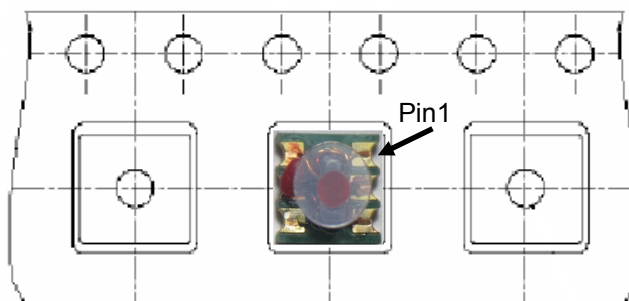


**Electrical Specifications:**  $T_A = 25^\circ\text{C}$ ,  $Z_0 = 75 \Omega$ ,  $P_{in} = 0\text{dBm}$

## Outline Drawing



## Carrier Tape Orientation



1. Dimensions in mm.
2. Tolerance:  $\pm 0.2\text{mm}$  unless otherwise noted.
3. Model number and lot code are printed on the reel.
4. Plating finish: ENIG on both sides, 0.05 to 0.1  $\mu\text{m}$  gold over 3 to 6  $\mu\text{m}$  nickel

## Tape & Reel Information

Parameter	Units	Value
Qty per reel	-	2000
Reel Size	mm	330
Tape Width	mm	12.00
Pitch	mm	8.00
Ao	mm	4.50
Bo	mm	4.40
Ko	mm	3.70
Orientation	-	F27
Reference Application Note ANI-019 for orientation		