

# MAXIM

## MAX1193 Evaluation Kit

### General Description

The MAX1193 evaluation kit (EV kit) is a fully assembled and tested circuit board that contains all the components necessary to evaluate the performance of the MAX1191/MAX1192/MAX1193 dual, 8-bit analog-to-digital converters (ADCs). The MAX1191/MAX1192/MAX1193 accept AC- or DC-coupled, differential, or single-ended analog inputs. The digital output produced by the ADC can be easily captured with a user-provided high-speed logic analyzer or data acquisition system. The EV kit operates from a 3.3V analog and a 2.5V digital power supply. The EV kit includes circuitry that generates a clock signal from an AC sine wave signal provided by the user. The EV kit comes with the MAX1193 installed. Order free samples of the pin-compatible MAX1191 or MAX1192 to evaluate these parts.

### Selector Guide

PART	SPEED (MSPS)
MAX1191ETI	7.5
MAX1192ETI	22
MAX1193ETI	45

DESIGNATION	QTY	DESCRIPTION
C1–C6, C9, C19, C21–C27, C29, C31, C33, C35, C37, C39, C41	22	0.1 $\mu$ F $\pm$ 10%, 16V X7R ceramic capacitors (0603) TDK C1608X7R1C104K
C7, C12, C14, C20	4	1000pF $\pm$ 10%, 50V X7R ceramic capacitors (0603) TDK C1608X7R1H102K
C8, C13, C15	3	0.33 $\mu$ F $\pm$ 10%, 6.3V X5R ceramic capacitors (0603) TDK C1608X5R0J334K
C10, C11, C16, C17	4	22pF $\pm$ 5%, 50V C0G ceramic capacitors (0603) TDK C1608C0G1H220J
C18, C36, C38, C40, C42	5	2.2 $\mu$ F $\pm$ 10%, 10V tantalum capacitors (A case) AVX TAJA225K010R
C28, C30, C32, C34	4	10 $\mu$ F $\pm$ 20%, 10V tantalum capacitors (B case) AVX TAJB106M010R
J1	1	Header 2 x 10

### Features

- ◆ Up to 45MSPS Sampling Rate (MAX1193)
- ◆ Ultra-Low-Power Operation
- ◆ Single-Ended or Fully Differential Input Signal Configuration
- ◆ AC- or DC-Coupled Input Configuration
- ◆ Configurable Reference Voltage
- ◆ On-Board Clock-Shaping Circuit
- ◆ Fully Assembled and Tested
- ◆ Also Evaluates MAX1191 and MAX1192 (IC Replacement Required)

### Ordering Information

PART	TEMP RANGE	IC PACKAGE
MAX1193EVKIT	0°C to +70°C	28-Thin QFN

**Note:** To evaluate the MAX1191/MAX1192, request a free sample with the MAX1193 EV kit.

### Component List

DESIGNATION	QTY	DESCRIPTION
JU1–JU4, JU7, JU8, JU11	7	3-pin headers
JU5, JU6, JU9, JU10	4	2-pin headers
R1–R4, R18, R31–R40	15	49.9 $\Omega$ $\pm$ 1% resistors (0603)
R5, R6, R41–R44	0	Not installed, resistors (0603)
R7–R10, R17	5	2k $\Omega$ $\pm$ 1% resistors (0603)
R11–R14	4	24.9 $\Omega$ $\pm$ 1% resistors (0603)
R15, R20	2	4.02k $\Omega$ $\pm$ 1% resistors (0603)
R16	1	5k $\Omega$ 1/4in potentiometer, 12 turn
R19	1	6.04k $\Omega$ $\pm$ 1% resistor (0603)
R21–R30	10	100 $\Omega$ $\pm$ 1% resistors (0603)
R45, R46	0	Not installed, resistors (0402)
T1, T2	2	RF transformers Mini-Circuits TT1-6-KK81
U1	1	MAX1193ETI (28-pin TQFN)
U2	1	Dual CMOS differential line receiver (8-pin SO), MAX9113ESA

# MAX1193 Evaluation Kit

## Component List (continued)

DESIGNATION	QTY	DESCRIPTION
U3	1	Buffer/drivers tri-state output (48-pin TSSOP) Texas Instruments SN74ALVCH16244DGG
CLKIN, D/E_INA, D/E_INB, S/E_INA+, S/E_INA-, S/E_INB+, S/E_INB-	7	SMA PC-mount connectors
None	11	Shunts (JU1–JU11)
None	1	MAX1193 PC board

## Quick Start

### Required Equipment

- DC power supplies:  
Digital: 2.5V, 100mA  
Analog: 3.3V, 200mA
- Function generator with low-phase noise and low jitter for clock input (e.g., HP 8662A)
- Two function generators for analog signal inputs (e.g., HP 8662A)
- Logic analyzer or data-acquisition system (e.g., HP 1673, HP 16500C)
- Analog anti-aliasing filters
- Digital voltmeter

### Procedures

The MAX1193 EV kit is a fully assembled and tested surface-mount board. Follow the steps below for board operation. **Do not turn on power supplies or enable function generators until all connections are completed:**

- 1) Verify that shunts are installed across pins 2 and 3 of jumpers JU7 and JU8 (fully operational, outputs enabled).

- 2) Verify that no shunts are installed across jumpers JU9 and JU10.
- 3) Verify that a shunt is installed across pins 1 and 2 of jumper JU11 (internal reference mode).
- 4) Connect the logic analyzer to header J1. Both channel A and channel B data signal are multiplexed on header J1. Control signal A/ $\bar{B}$  on pin J1–J11 indicates whether data is from channel A (high) or from channel B (low).
- 5) Connect a 3.3V power supply to the VA and VADUT pads. Connect the ground terminal of this supply to the GND pad.
- 6) Connect a 2.5V power supply to the VDB and VODUT pads. Connect the ground terminal of this supply to the OGND pad.
- 7) Turn on both power supplies.
- 8) With a voltmeter, verify that 1.38V is measured across test point TP1 and GND. If the voltage is not 1.38V, adjust potentiometer R16 until 1.38V is obtained.
- 9) Connect the clock function generator to the CLKIN SMA connector.
- 10) Connect the output of the analog signal function generator to the input of the suggested anti-aliasing filters:
  - a) To evaluate **differential AC-coupled** analog signals, verify that shunts are installed on pins 2 and 3 of jumpers JU1–JU4. Connect the output of the analog anti-aliasing filters to the D/E\_INA and D/E\_INB SMA connectors.
  - b) To evaluate **single-ended AC-coupled** analog signals, verify that shunts are installed on pins 1 and 2 of jumpers JU1–JU6. Verify that resistors R5 and R6 are OPEN. Connect the output of the anti-aliasing filters to the S/E\_INA+ and S/E\_INB+ SMA connectors.

## Component Suppliers

SUPPLIER	PHONE	FAX	WEBSITE
AVX	843-946-0238	843-626-3123	www.avxcorp.com
Mini-Circuits	718-934-4500	718-934-7092	www.minicircuits.com
TDK	847-803-6100	847-390-4405	www.component.tdk.com
Texas Instruments	972-644-5580	214-480-7800	www.ti.com

**Note:** Please indicate that you are using the MAX1193 when contacting these component suppliers.

# MAX1193 Evaluation Kit

Evaluates: MAX1191/MAX1192/MAX1193

- c) To evaluate **single-ended DC-coupled** analog signals, verify that shunts are installed on pins 1 and 2 of jumpers JU2 and JU3, and no shunts are installed on jumpers JU1, JU4, JU5 and JU6. Remove capacitors C2 and C3 and resistors R2 and R3. Install  $0\Omega$  resistors on the R5 and R6. Connect the outputs of the anti-aliasing filters to the S/E\_INA+ and S/E\_INB+ SMA connectors.
  - d) To evaluate **differential DC-coupled** analog signals, verify that shunts are installed on pins 1 and 2 of jumpers JU2 and JU3, and no shunts are installed on jumpers JU1, JU4, JU5, and JU6. Remove capacitors C2 and C3 and resistors R2 and R3. Install  $0\Omega$  resistors on the R5 and R6. Connect the outputs of the anti-aliasing filters to the S/E\_INA+/- and S/E\_INB+/- SMA connectors.
- 11) Enable the function generators. Set the clock function generator for an output amplitude of  $2.4V_{P-P}$  (+11.6dBm) and a frequency ( $f_{CLK}$ ) of  $\leq 45\text{MHz}$ . Set the analog input signal generators to the desired output test signal amplitudes and frequencies. The two function generators should be phase locked to each other.
  - 12) Channel A data is presented on the falling edge and channel B data is presented on the rising edge of the logic analyzer clock.
  - 13) Enable the logic analyzer, and begin collecting data.

## Detailed Description

The MAX1193 EV kit is a fully assembled and tested circuit board that contains all the components necessary to evaluate the performance of the MAX1191/MAX1192/MAX1193 dual 8-bit ADCs. The ADCs provide the digitized data of their two input channels in multiplexed fashion on a single 8-bit bus. The EV kit comes with the MAX1193 installed, which can be evaluated with a maximum clock frequency ( $f_{CLK}$ ) of 45MHz. The MAX1193 accepts differential or single-ended analog input signals. With the proper board configuration (as specified below), the input signals can be AC- or DC-coupled.

The EV kit is based on a four-layer PC board design to optimize the performance of the MAX1193. Separate analog and digital power planes minimize noise coupling between analog and digital signals. For simple operation, the EV kit is specified to have 3.3V and 2.5V power supplies applied to analog and digital power planes, respectively. However, the digital plane can be operated from 1.8V to 3.3V without compromising performance. The logic analyzer's threshold must be adjusted accordingly.

Access to the digital outputs is provided through header J1 for channels A and B. The 0.1in 20-pin header easily interfaces with a user-provided logic analyzer or data acquisition system.

## Power Supplies

The MAX1193 EV kit requires separate analog and digital power supplies for best performance. A 3.3V power supply is used to power the analog portion of the MAX1193 (VADUT) and the on-board clock-shaping circuit (VA). The MAX1193 analog supply voltage has an operating range of 2.7V to 3.6V. Note that 3.3V must be supplied to the VA pads to meet the minimum supply voltage of the clock-shaping circuit. A separate 2.5V power supply is used to power the digital portion (VODUT and VDB) of the MAX1193 and the buffer/driver (U3); however, it can operate with a supply voltage as low as 1.8V and as high as 3.6V. The digital power-supply voltage must not exceed the analog power-supply voltage.

## Clock

An on-board clock-shaping circuit generates a clock signal from an AC sine-wave signal applied to the CLKIN SMA connector. The input signal should not exceed a magnitude of  $2.6V_{P-P}$  (+12.3dBm). The frequency of the signal should not exceed 45MHz for the MAX1193. The frequency of the sinusoidal input signal determines the sampling frequency of the ADC. Differential line receiver U2 processes the input signal to generate the CMOS clock signal. The signal's duty cycle can be adjusted with potentiometer R16. A clock signal with a 50% duty cycle (recommended) can be achieved by adjusting R16 until 1.38V (40% of the analog power supply) is produced across test points TP1 and GND when the analog supply voltage is set to 3.3V. The clock signal is available at the header pin J1-1, which can be used as a clock source for the logic analyzer. Additionally, the signal pin J1-11 (A/ $\bar{B}$ ) is an image of the clock signal.

## Input Signals

The MAX1193 accepts differential or single-ended, AC-DC-coupled analog input signals. The EV kit accepts input signals with full-scale amplitude of less than  $1.024V_{P-P}$  (+4dBm). See Table 1 for proper jumper configuration.

**Note:** When a differential signal is applied to the ADC, the positive and negative input pins of the ADC each receive half of the input signal supplied at SMA connectors D/E\_INA and D/E\_INB with a DC offset voltage of VADUT/2.

# MAX1193 Evaluation Kit

Evaluates: MAX1191/MAX1192/MAX1193

**Table 1. Single-Ended/Differential, AC-/DC-Coupled Jumper Configuration**

JUMPER	SHUNT POSITION	PIN CONNECTION	EV KIT OPERATION
JU1	1 and 2	INA- pin connected to COM pin through R11	Analog input signal is applied to <b>channel A. Single-ended input, AC-coupled.</b> • R5 opened (default)
JU2	1 and 2	INA+ pin AC-coupled to SMA connector S/E_INA+ through R12 and C2	
JU5	Installed	INA+ pin assumes the DC offset at the REFP and REFN common	
JU1	Not installed	INA- pin assumes no DC offset	Analog input signal is applied to <b>channel A. Single-ended input, DC-coupled.</b> • R5 shorted (0Ω) • C2 opened (removed) • R2 opened (removed)
JU2	1 and 2	INA+ pin DC-coupled to SMA connector S/E_INA+ through R12 and R5	
JU5	Not installed	INA+ pin assumes the DC offset from the analog input source	
JU1	2 and 3	INA- pin connected to low-side of transformer T1 through R11	Analog input signal is applied to <b>channel A. Differential input, AC-coupled.</b>
JU2	2 and 3	INA+ pin connected to high-side of transformer T1 through R12	
JU1	Not installed	INA- pin DC-coupled to SMA connector S/E_INA- through R11	Analog input signal is applied to <b>channel A. Differential input, DC-coupled.</b> • R5 shorted (0Ω) • C2 opened (removed) • R2 opened (removed)
JU2	1 and 2	INA+ pin DC-coupled to SMA connector S/E_INA+ through R12 and R5	
JU5	Not installed	INA+ pin assumes the DC offset from the analog input source	
JU3	1 and 2	INB+ pin AC-coupled to SMA connector S/E_INB+ through R13 and C3	Analog input signal is applied to <b>channel B. Single-ended input, AC-coupled.</b> • R6 opened (default)
JU4	1 and 2	INB- pin connected to COM pin through R14	
JU6	Installed	INB+ pin assumes the DC offset at the REFP and REFN common	
JU3	1 and 2	INB+ pin DC-coupled to SMA connector S/E_INB+ through R13 and R6	Analog input signal is applied to <b>channel B. Single-ended input, DC-coupled.</b> • R6 shorted (0Ω) • C3 opened (removed) • R3 opened (removed)
JU4	Not installed	INB- pin assumes no DC offset	
JU6	Not installed	INB+ pin assumes the DC offset from the analog input source	
JU3	2 and 3	INB+ pin connected to high side of transformer T1 through R13	Analog input signal is applied to <b>channel B. Differential input, AC-coupled.</b>
JU4	2 and 3	INB- pin connected to low side of transformer T1 through R14	

# MAX1193 Evaluation Kit

Evaluates: MAX1191/MAX1192/MAX1193

**Table 1. Single-Ended/Differential, AC-/DC-Coupled Jumper Configuration (continued)**

JUMPER	SHUNT POSITION	PIN CONNECTION	EV KIT OPERATION
JU3	1 and 2	INB+ pin DC-coupled to SMA connector S/E_INB+ through R13 and R6	Analog input signal is applied to <b>channel B. Differential input, DC-coupled.</b> <ul style="list-style-type: none"> <li>• R6 shorted (0Ω)</li> <li>• C3 opened (removed)</li> <li>• R3 opened (removed)</li> </ul>
JU4	Not installed	INB- pin DC-coupled to SMA connector S/E_INB- through R14	
JU6	Not installed	INB+ pin assumes the DC offset from the analog input source	

**Table 2. Power-Down/Standby/Idle/Operating Mode Configurations**

JUMPER	SHUNT POSITION	PIN CONNECTION	EV KIT OPERATION
JU7	1 and 2	PD0 connected to OGND	MAX1193 in power-down mode—ADC off, Ref off, output Three-stated
JU8	1 and 2	PD1 connected to OGND	
JU7	1 and 2	PD0 connected to OGND	MAX1193 in standby mode—ADC off, Ref on, output Three-stated
JU8	2 and 3	PD1 connected to VODUT	
JU7	2 and 3	PD0 connected to VODUT	MAX1193 in idle mode—ADC on, Ref on, output Three-stated
JU8	1 and 2	PD1 connected to OGND	
JU7	2 and 3	PD0 connected to VODUT	MAX1193 in operating mode—ADC on, Ref on, output enabled
JU8	2 and 3	PD1 connected to VODUT	
JU7, JU8	None	PD0, PD1 pads connected to external control source (TTL/CMOS compatible)	PD0, PD1 = 00; power-down mode PD0, PD1 = 01; standby mode PD0, PD1 = 10; idle mode PD0, PD1 = 11; operating mode

### **Power-Down/Standby/Idle/Operating Modes**

The MAX1193 EV kit also features jumpers that allow the user to enable or disable certain functions of the data converter. Jumpers JU7 and JU8 control the power-down, standby, idle, and operating modes of the MAX1193 EV kit. See Table 2 for jumper settings.

### **Reference Modes**

The MAX1193 EV kit provides three modes of operation for the reference: internal reference, buffered external reference, and unbuffered external reference modes. In internal reference mode, the REFIN pad is connected to VADUT. In buffered external reference mode, an external user-provided reference voltage of 1.024V may be connected at the REFIN pad. In unbuffered external reference mode, REFIN is connected to GND, and three external reference voltages should be used to drive REFP, REFN, and COM. Jumper JU11 selects the reference modes of the MAX1193 EV kit. See Table 3 for jumper settings.

**Table 3. Reference Modes Configuration (Jumper JU11)**

SHUNT POSITION	REFIN PIN CONNECTION	EV KIT OPERATION
1 and 2	Connected to VADUT	Internal reference mode. $V_{REF} = V_{REFP} - V_{REFN} = 0.512V$
2 and 3	Connected to GND	Unbuffered external reference mode. REFP, REFN, COM pins driven by external sources
None	Connected to external reference source (1.024V)	Buffered external reference mode. $V_{REF} = V_{REFP} - V_{REFN} = 0.512V$

# MAX1193 Evaluation Kit

## Digital Output Format

The MAX1193 features a single 8-bit, multiplex CMOS-compatible digital output bus. Channel A is available at the output during  $A/\overline{B}$  high. Channel B is available at the output during  $A/\overline{B}$  low. The channel selection signal ( $A/\overline{B}$ ) is an image of the clock that may be used to synchronize the output data. Refer to the MAX1193 data sheet for more information.

A driver is used to buffer the ADC's digital outputs. This buffer is able to drive large capacitive loads, which may be present at the logic analyzer connection, without compromising the digital output signals. The outputs of the buffers are connected to header J1 located on the right side of the EV kit, where the user can connect a logic analyzer or data-acquisition system. See Table 4 for channel and bit locations on header J1.

All even-number pins on header J1 are connected to OGND.

**Table 4. Header J1 Output Bit Location (Multiplexed Output Operation)**

CHANNEL	$A/\overline{B}$	BIT D0	BIT D1	BIT D2	BIT D3	BIT D4	BIT D5	BIT D6	BIT D7
<b>A</b> (CLK ↓)*	1	J1-3 A0	J1-5 A1	J1-7 A2	J1-9 A3	J1-13 A4	J1-15 A5	J1-17 A6	J1-19 A7
<b>B</b> (CLK ↑)*	0	J1-3 B0	J1-5 B1	J1-7 B2	J1-9 B3	J1-13 B4	J1-15 B5	J1-17 B6	J1-19 B7

\*Trigger signal for the logic analyzer.

# MAX1193 Evaluation Kit

Evaluates: MAX1191/MAX1192/MAX1193

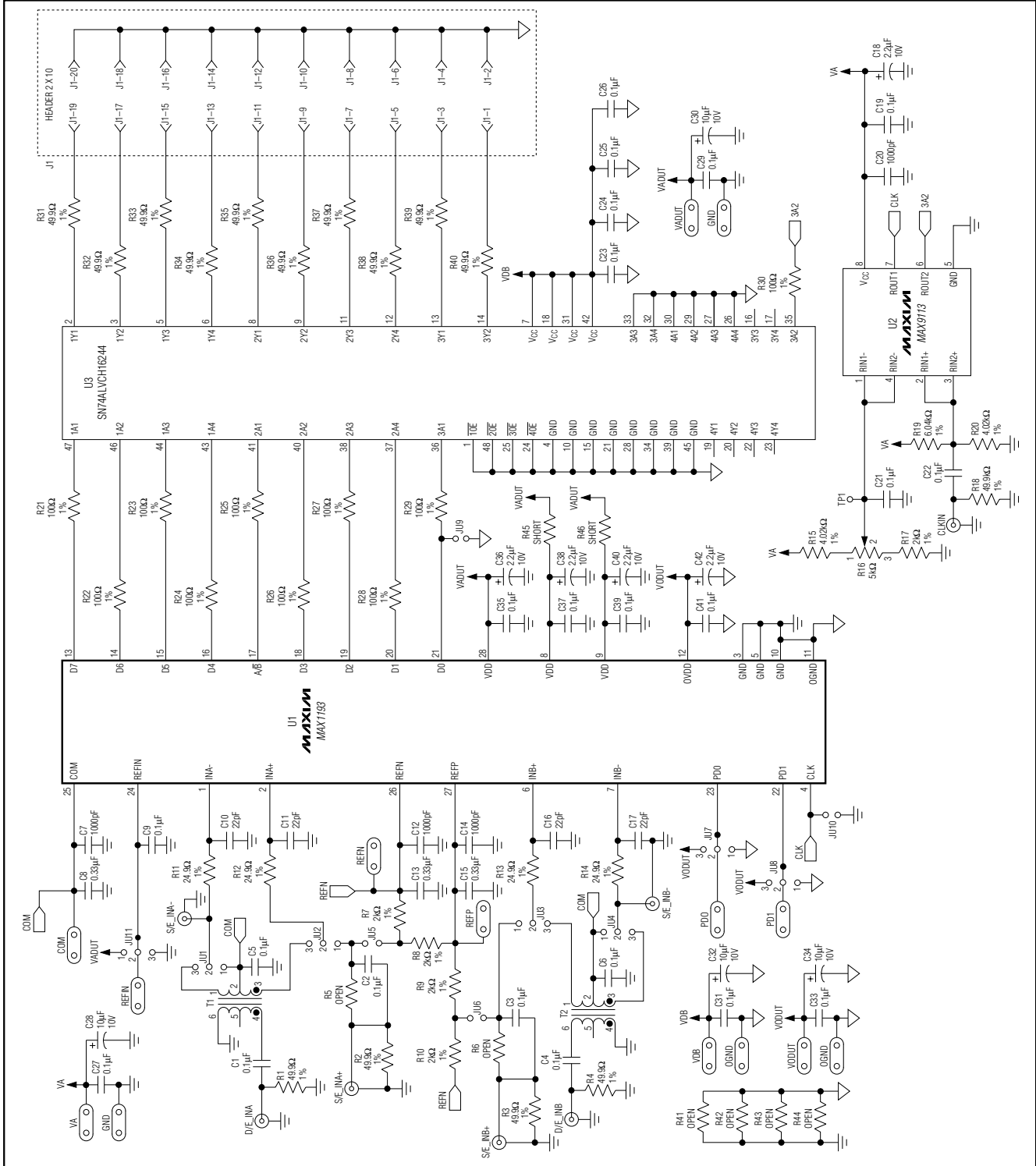


Figure 1. MAX1193 EV Kit Schematic



# MAX193 Evaluation Kit

Evaluates: MAX1191/MAX1192/MAX1193

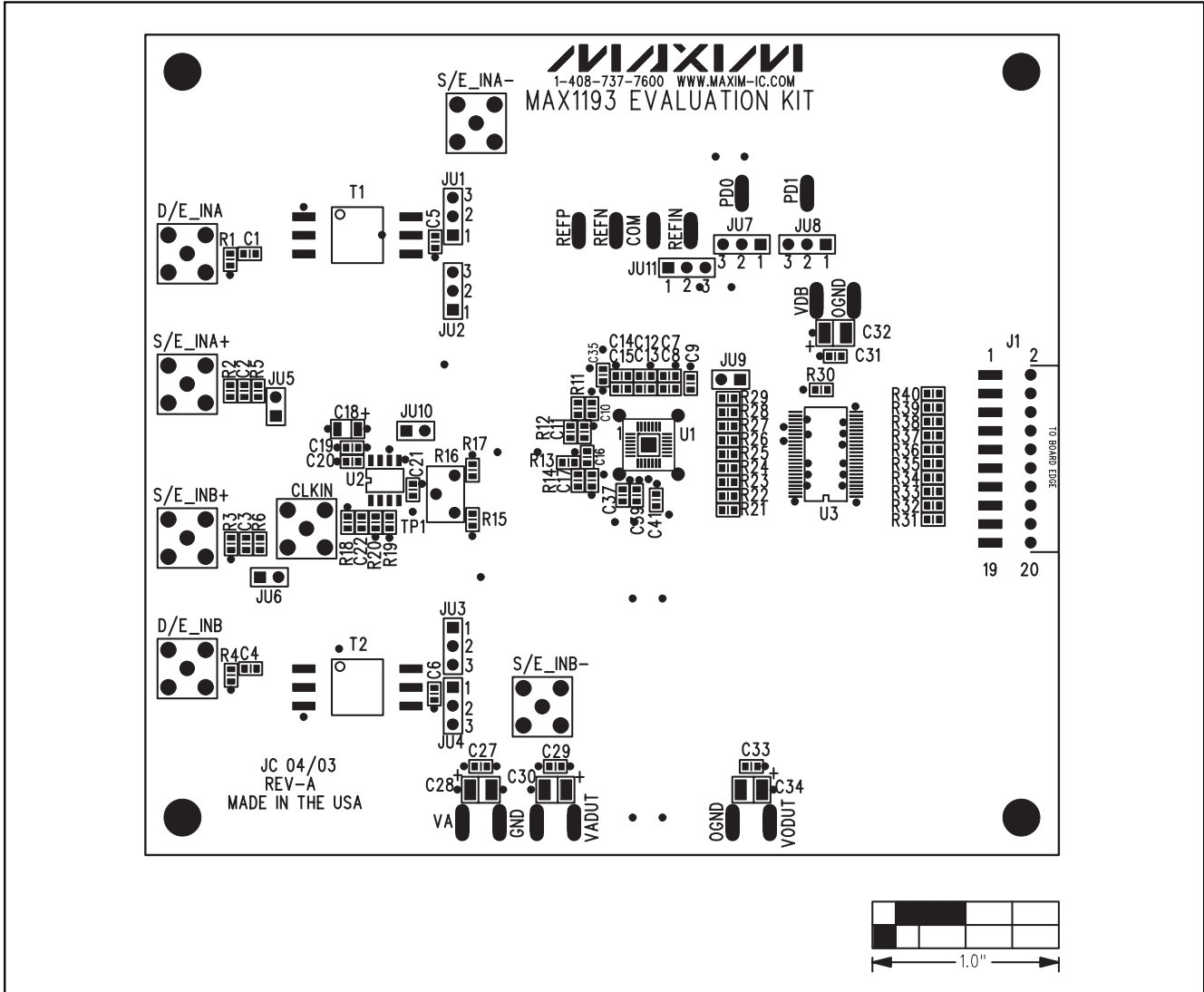


Figure 2. MAX193 EV Kit Component Placement Guide—Component Side



# MAX1193 Evaluation Kit

Evaluates: MAX1191/MAX1192/MAX1193

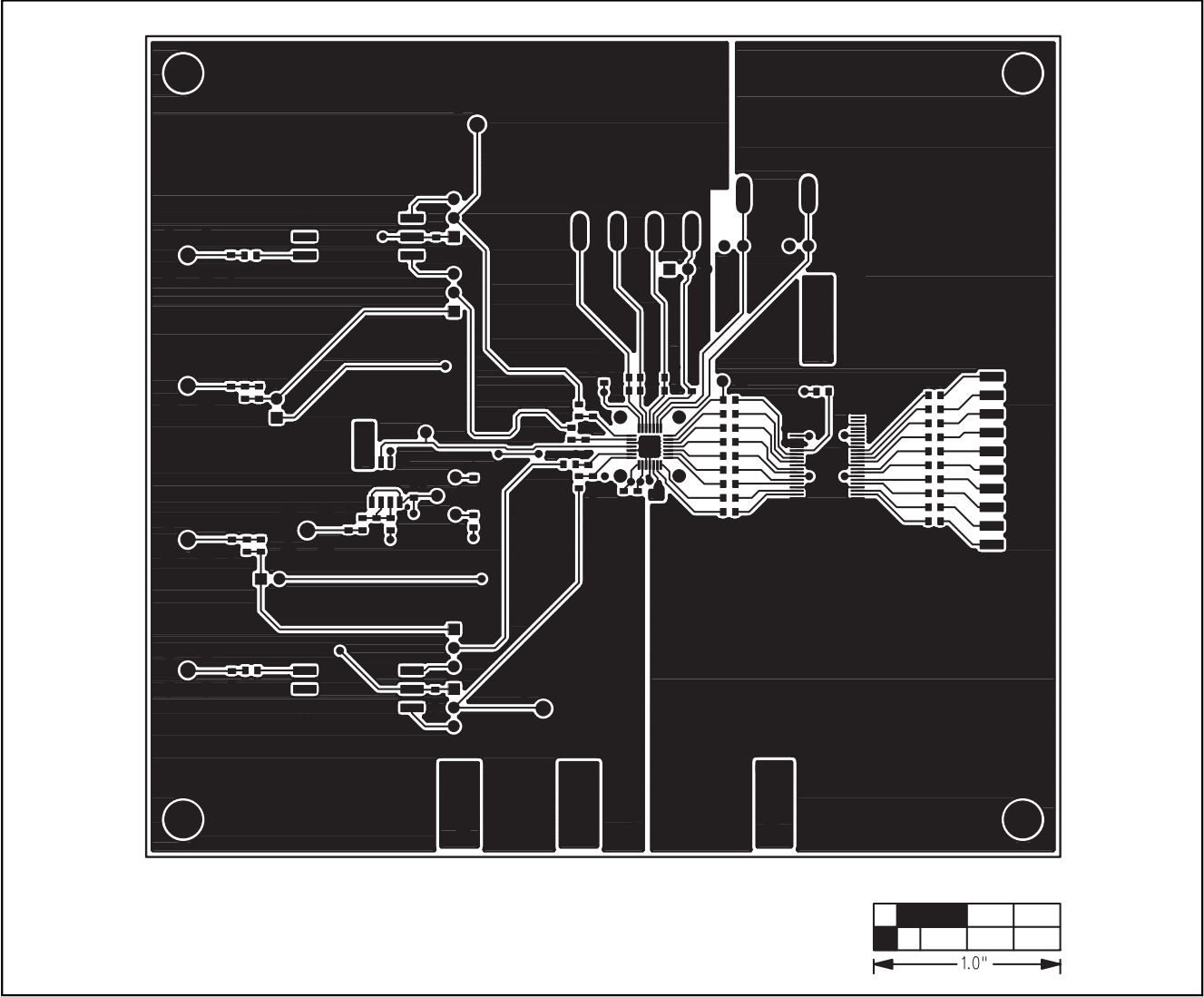


Figure 3. MAX1193 EV Kit PC Board Layout—Component Side

# MAX1193 Evaluation Kit

**Evaluates: MAX1191/MAX1192/MAX1193**

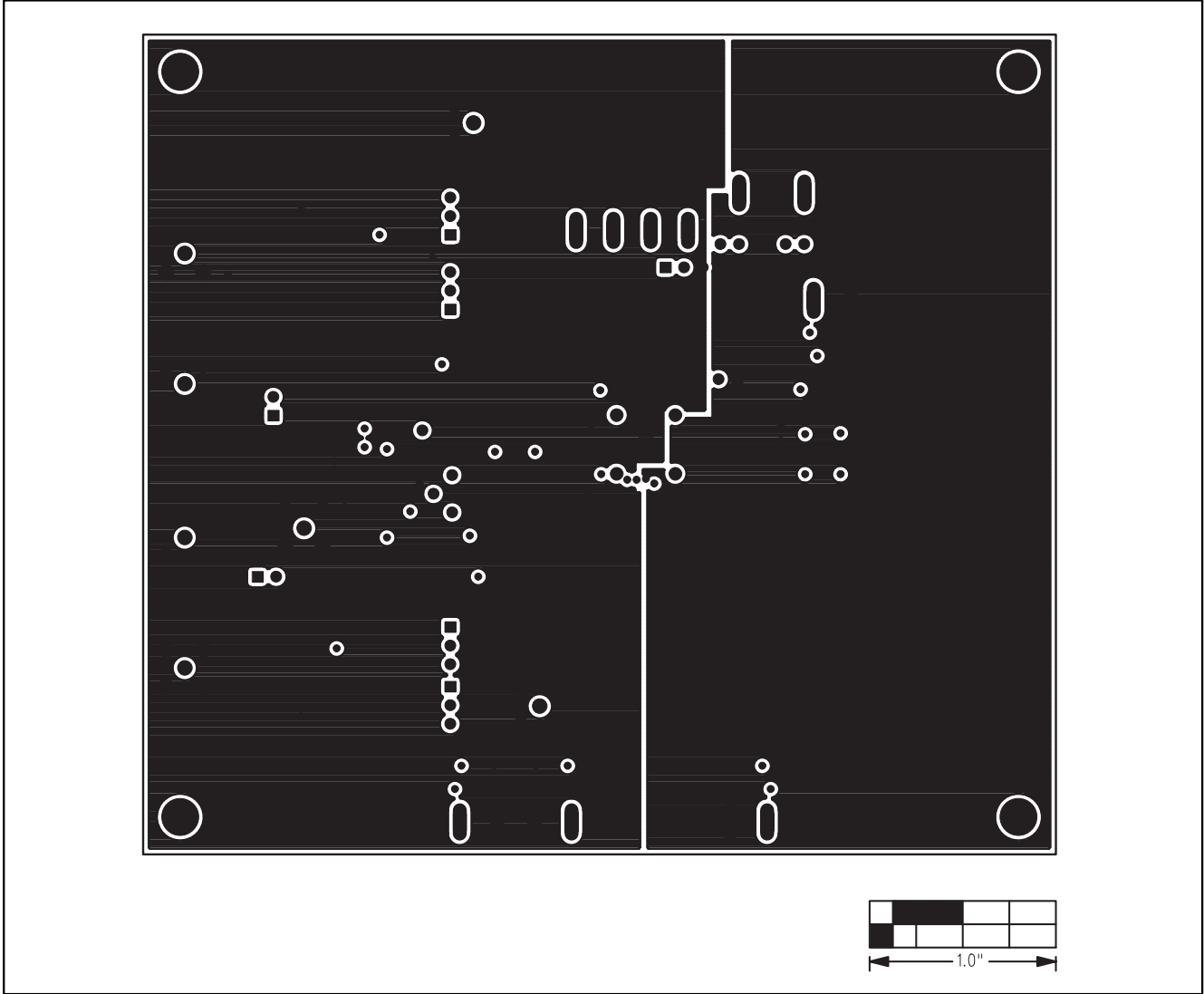


Figure 4. MAX1193 EV Kit PC Board Layout—Ground Plane

# MAX1193 Evaluation Kit

Evaluates: MAX1191/MAX1192/MAX1193

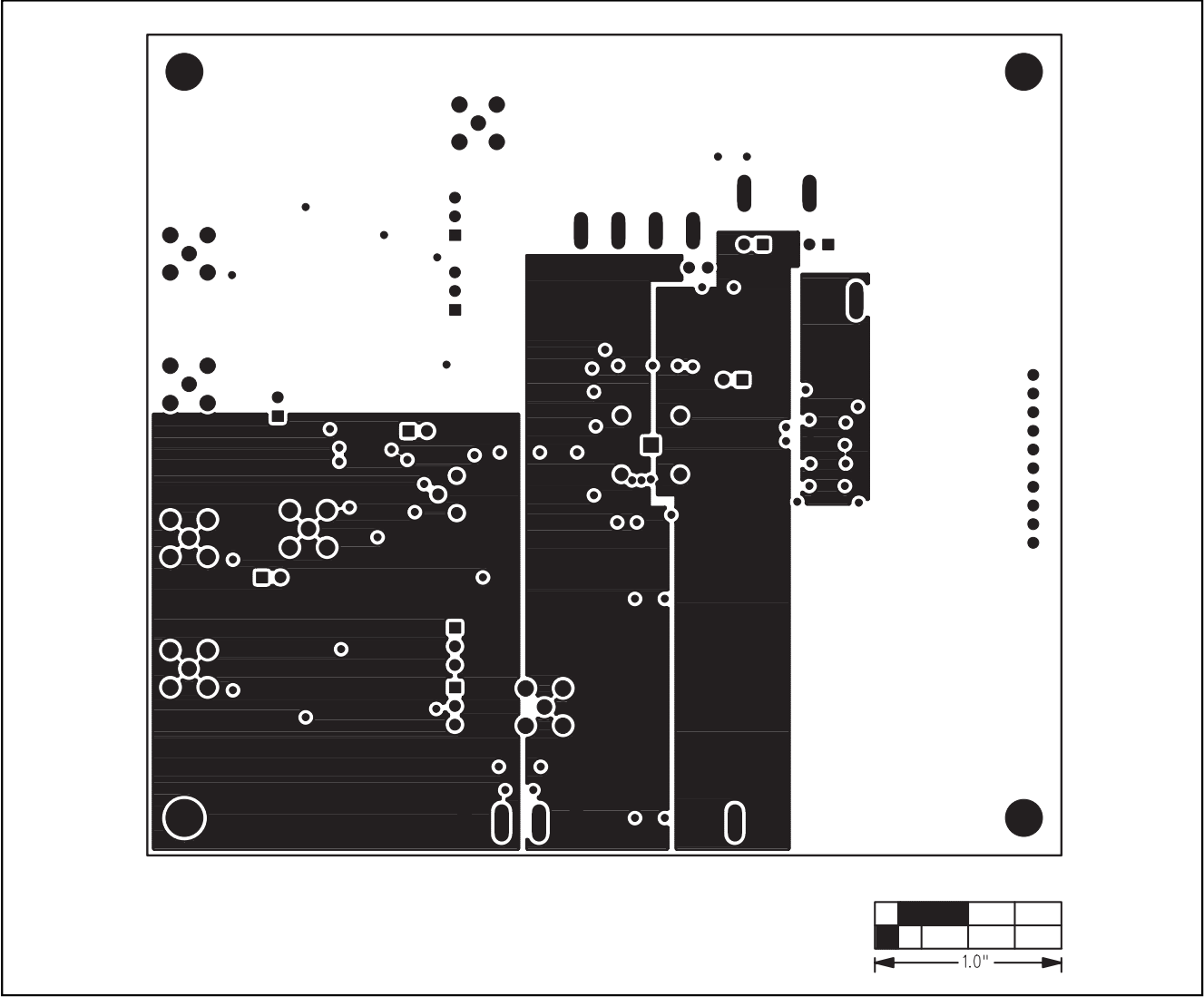


Figure 5. MAX1193 EV Kit PC Board Layout—Power Plane

# MAX1193 Evaluation Kit

**Evaluates: MAX1191/MAX1192/MAX1193**

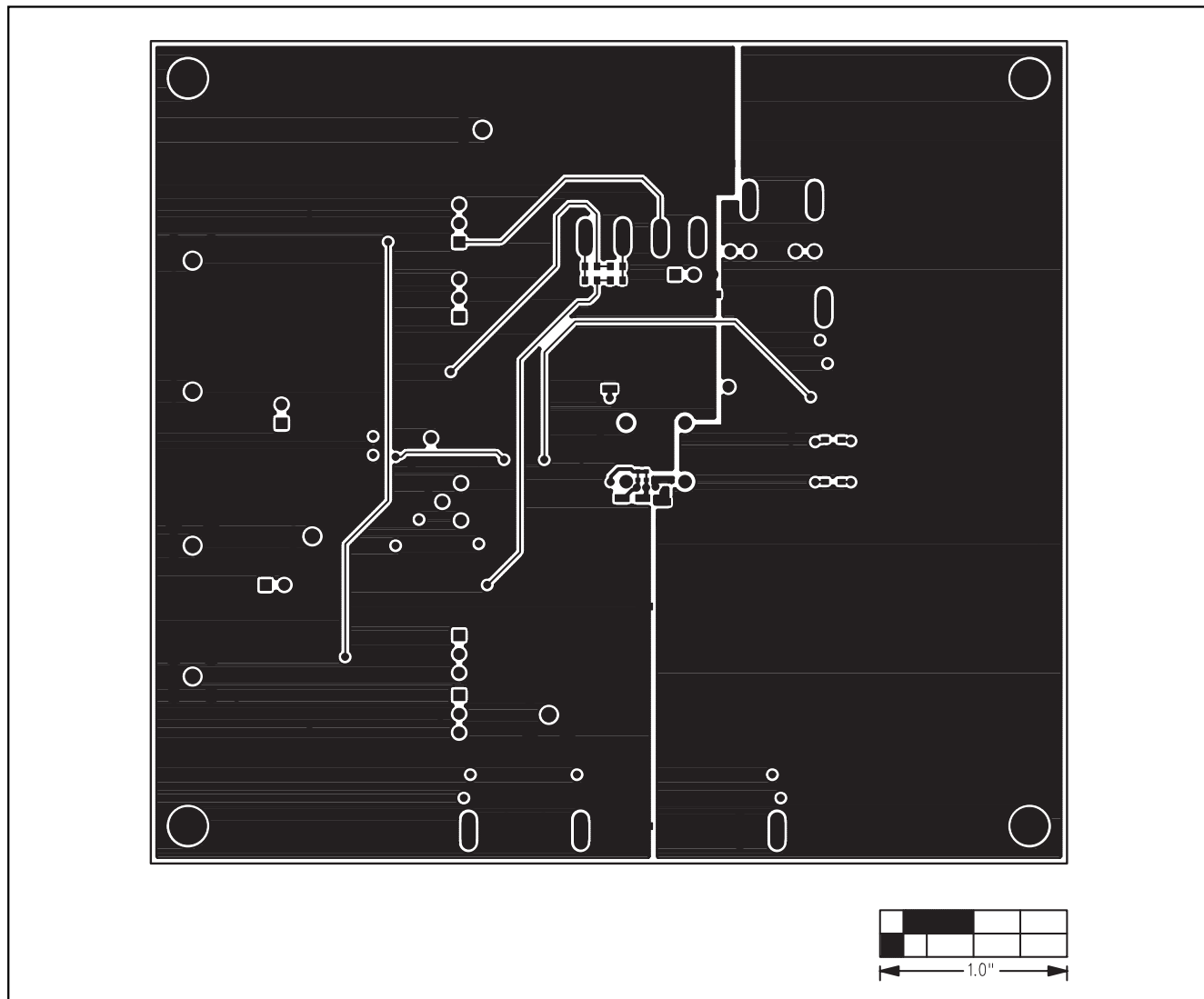


Figure 6. MAX1193 EV Kit PC Board Layout—Solder Side