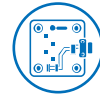




[Evaluation Kit Available](#)



[Design Resources](#)



[Tools and Models](#)



[Support](#)

Click [here](#) to ask an associate for production status of specific part numbers.

## Power-Management Solution

## MAX14720/MAX14750

### General Description

The MAX14720/MAX14750 are compact power-management solutions for space-constrained, battery-powered applications where size and efficiency are critical. Both devices integrate a power switch, a linear regulator, a buck regulator, and a buck-boost regulator.

The MAX14720 is designed to be the primary power-management device and is ideal for either non-rechargeable battery (coin-cell, dual alkaline) applications or for rechargeable solutions where the battery is removable and charged separately. The device includes a button monitor and sequencer.

The MAX14750 works well as a companion to a charger or PMIC in rechargeable applications. It provides direct pin control of each function and allows greater flexibility for controlling sequencing.

The devices include two programmable micro-I<sub>Q</sub>, high-efficiency switching converters: a buck-boost regulator and a synchronous buck regulator. These regulators feature a burst mode for increased efficiency during light-load operation.

The low-dropout linear regulator has a programmable output. It can also operate as a power switch that can disconnect the quiescent load of system peripherals.

The devices also include a power switch with battery-monitoring capability. The switch can isolate the battery from all system loads to maximize battery life when not operating. It is also used to isolate the battery-impedance measurements. This switch can operate as a general-purpose load switch as well.

The MAX14720 includes a programmable power controller that allows the device to be configured either for use in applications that require a true off state or for always-on applications. This controller provides a delayed reset signal, voltage sequencing, and customized button timing for on/off control and recovery hard reset.

Both devices also include a multiplexer for monitoring the power inputs and outputs of each function.

These devices are available in a 25-bump, 0.4mm pitch, 2.26mm x 2.14mm wafer-level package (WLP) and operate over the -40°C to +85°C extended temperature range.

### Benefits and Features

- Extended System Battery Use Time
  - Micro-I<sub>Q</sub> 250mW Buck-Boost Regulator
    - Input Voltage from 1.8V to 5.5V
    - Output Voltage Programmable from 2.5V to 5V
    - 1.1μA Quiescent Current
    - Programmable Current Limit
  - Micro-I<sub>Q</sub> 200mA Buck Regulator
    - Input Voltage from 1.8V to 5.5V
    - Output Voltage Programmable from 1.0V to 2.0V
    - 0.9μA Quiescent Current
  - Micro-I<sub>Q</sub> 100mA LDO
    - Input Voltage From 1.71V to 5.5V
    - Output Programmable From 0.9V to 4.0V
    - 0.9μA Quiescent Current
    - Configurable as Load Switch
- Extend Product Shelf-Life
  - Battery Seal Mode (MAX14720)
    - 120nA Battery Current
  - Power Switch On-Resistance
    - 250mΩ (max) at 2.7V
    - 500mΩ (max) at 1.8V
  - Battery Impedance Detector
- Easy-to-Implement System Control
  - Configurable Power Mode and Reset Behavior (MAX14720)
    - Push-Button Monitoring to Enable Ultra-Low Power Shipping Mode
    - Disconnects All Loads From Battery and Reduces Leakage to Less than 1μA
    - Power-On Reset (POR) Delay and Voltage Sequencing
  - Individual Enable Pins (MAX14750)
  - Voltage Monitor Multiplexer
  - I<sup>2</sup>C Control Interface

### Applications

- Wearable Medical Devices
- Wearable Fitness Devices
- Portable Medical Devices

[Ordering Information](#) appears at end of data sheet.

### Absolute Maximum Ratings

(Voltages Referenced to GND.)

BIN, LIN, SDA, SCL, SWIN, BEN, SWOUT, SWEN,  
 LEN, HVEN, HVIN, HVOUT, MON, CAP, V<sub>CC</sub>,  
 MPC, KIN, RST, KOUT ..... -0.3V to +6.0V  
 HVILX ..... -0.3V to V<sub>HVIN</sub> + 0.3V  
 HVOLX ..... -0.3V to V<sub>HVOUT</sub> + 0.3V  
 BLX, BOUT ..... -0.3V to (V<sub>BIN</sub> + 0.3V)  
 LOUT ..... -0.3V to (V<sub>LIN</sub> + 0.3V)  
 GND ..... -0.3V to +0.3V

Continuous-Current into HVIN, BIN, SWIN ..... ±1000mA  
 Continuous-Current into Any Other Terminal ..... ±100mA  
 Continuous Power Dissipation (multilayer board at +70°C):  
 5x5 Array 25-Ball 2.26mm x 2.14mm 0.4mm Pitch WLP  
 (derate 19.07mW/°C)..... 1.525W  
 Operating Temperature Range ..... -40°C to +85°C  
 Junction Temperature ..... +150°C  
 Storage Temperature Range ..... -65°C to +150°C  
 Lead Temperature (soldering 10s) ..... +300°C  
 Soldering Temperature (reflow) ..... +260°C

*Stresses beyond those listed under "Absolute Maximum Ratings" may cause permanent damage to the device. These are stress ratings only, and functional operation of the device at these or any other conditions beyond those indicated in the operational sections of the specifications is not implied. Exposure to absolute maximum rating conditions for extended periods may affect device reliability.*

### Package Information

|   |  |
|---|--|
| <b>PACKAGE TYPE: 25 WLP</b>                 |  |
| Package Code                                | W252M2+1                                       |
| Outline Number                              | <a href="#">21-0788</a>                        |
| Land Pattern Number                         | Refer to <a href="#">Application Note 1891</a> |
| <b>THERMAL RESISTANCE, FOUR-LAYER BOARD</b> |  |
| Junction to Ambient (θ <sub>JA</sub> )      | 52.43°C/W                                      |

For the latest package outline information and land patterns (footprints), go to [www.maximintegrated.com/packages](http://www.maximintegrated.com/packages). Note that a "+", "#", or "-" in the package code indicates RoHS status only. Package drawings may show a different suffix character, but the drawing pertains to the package regardless of RoHS status.

Package thermal resistances were obtained using the method described in JEDEC specification JESD51-7, using a four-layer board. For detailed information on package thermal considerations, refer to [www.maximintegrated.com/thermal-tutorial](http://www.maximintegrated.com/thermal-tutorial).

## Electrical Characteristics

( $V_{CC} = V_{BIN} = V_{LIN} = V_{HVIN} = V_{SWIN} = 2.7V$ ,  $T_A = -40^{\circ}C$  to  $+85^{\circ}C$ , all registers in their default state, unless otherwise noted. Typical values are at  $T_A = +25^{\circ}C$ .) (Note 1)

| PARAMETER                | SYMBOL       | CONDITIONS   | MIN  | TYP  | MAX  | UNITS   |
|--------------------------|--------------|--|------|------|------|---------|
| <b>SUPPLY CURRENT</b>    |              |  |      |      |      |         |
| Seal Input Current       | $I_{SEAL}$   | Seal mode, all functions disabled  |      | 0.12 | 1    | $\mu A$ |
| Off Input Current        | $I_{OFF}$    | No blocks enabled, no battery measurement active   |      | 1.2  | 2.8  | $\mu A$ |
| MON Input Current        | $I_{MON}$    | No blocks enabled, no battery measurement active, MON enabled, MONCtr[2:0] = 000.                                    |      | 4    | 7.2  | $\mu A$ |
| Switch Input Current     | $I_{SW}$     | Switch enabled, $I_{SWOUT} = 0A$   |      | 1.2  | 2.8  | $\mu A$ |
| LDO Input Current        | $I_{LDO}$    | LDO enabled, $I_{LOUT} = 0A$   |      | 2.1  | 4.4  | $\mu A$ |
|                          |              | LDO enabled, LIN UVLO enabled, $I_{LOUT} = 0A$   |      | 2.4  | 4.8  |         |
|                          |              | LDO enabled, switch mode, $I_{LOUT} = 0A$  |      | 1.5  | 3.2  |         |
| Buck Input Current       | $I_{BUCK}$   | Buck enabled, $I_{BOUT} = 0A$  |      | 2    | 4.1  | $\mu A$ |
|                          |              | Buck enabled, BIN UVLO enabled, $I_{BOUT} = 0A$  |      | 2.2  | 4.5  |         |
| Buck-Boost Input Current | $I_{BCKBST}$ | Buck-Boost enabled, $I_{HVOUT} = 0A$ , $V_{HVOUT} = 4V$  |      | 2    | 4.7  | $\mu A$ |
|                          |              | Buck-Boost enabled, BIN UVLO enabled, $I_{HVOUT} = 0A$ , $V_{HVOUT} = 4V$  |      | 2.3  | 5    |         |
| On Input Current         | $I_{ON}$     | LDO, buck, and buck-boost enabled; BIN UVLO and LIN UVLO enabled; $I_{SWOUT} = I_{LOUT} = I_{BOUT} = I_{HVOUT} = 0A$ |      | 4.4  | 8.3  | $\mu A$ |
| <b>POWER SEQUENCE</b>    |              |  |      |      |      |         |
| Boot Time                | $t_{BOOT}$   | MAX14720   | 9.9  | 11   | 12.1 | ms      |
|                          |              | MAX14750   | 21.6 | 24   | 26.4 |         |
| Reset Time               | $t_{RST}$    | MAX14720   | 72   | 80   | 88   | ms      |

### Electrical Characteristics (continued)

( $V_{CC} = V_{BIN} = V_{LIN} = V_{HVIN} = V_{SWIN} = 2.7V$ ,  $T_A = -40^{\circ}C$  to  $+85^{\circ}C$ , all registers in their default state, unless otherwise noted. Typical values are at  $T_A = +25^{\circ}C$ .) (Note 1)

| PARAMETER  | SYMBOL               | CONDITIONS  | MIN | TYP  | MAX  | UNITS       |
|--|----------------------|---|-----|------|------|-------------|
| <b>POWER SWITCH</b>  |                      |   |     |      |      |             |
| Input Voltage Range  | $V_{SWIN}$           | $V_{SWIN} \leq V_{CC}$  | 1.8 |      | 5.5  | V           |
| Quiescent Supply Current   | $I_{Q\_SW}$          | $I_{SWOUT} = 0A$  |     | 0.05 | 0.09 | $\mu A$     |
| Switch On-Resistance   | $R_{ON\_SW}$         | $I_{SWOUT} = 200mA$   |     | 0.16 | 0.25 | $\Omega$    |
|  |                      | $V_{SWIN} = 1.8V$ , $I_{SWOUT} = 200mA$   |     | 0.27 | 0.5  |             |
| Maximum Output Current   | $I_{SWOUT\_MAX}$     |   | 200 |      |      | mA          |
| Turn-On Time   | $t_{ON\_SW}$         | $I_{SWOUT} = 0mA$ , $C_{SWOUT} = 100\mu F$ ,<br>time from 10% to 90% of $V_{SWIN}$ ,<br>$SWSoftStart = 0$ |     | 0.65 |      | ms          |
|  |                      | $I_{SWOUT} = 0mA$ , $C_{SWOUT} = 100\mu F$ ,<br>time from 10% to 90% of $V_{SWIN}$ ,<br>$SWSoftStart = 1$ |     | 13.8 |      | ms          |
| Short-Circuit Current Limit  | $I_{SHRT\_SW}$       | $V_{SWOUT} = GND$ , $SWSoftStart = 0$   | 200 | 460  | 700  | mA          |
| Soft-Start Current Limit   | $I_{SSTR\_SW}$       | $V_{SWOUT} = GND$ , $SWSoftStart = 1$   | 9   | 25   | 54   | mA          |
| Thermal-Shutdown Threshold   | $T_{SHDN\_SW}$       | $T_J$ rising  |     | 150  |      | $^{\circ}C$ |
| Thermal-Shutdown Hysteresis  | $T_{SHDN\_HYST\_SW}$ |   |     | 20   |      | $^{\circ}C$ |
| <b>BUCK BOOST CONVERTER (<math>C_{OUT} = 10MF</math>, <math>L = 4.7MF</math>, unless otherwise noted.)</b> |                      |   |     |      |      |             |
| Input Voltage Range  | $V_{HVIN}$           |   | 1.8 |      | 5.5  | V           |
| Quiescent Supply Current   | $I_{Q\_BOOST}$       | $V_{HVOUT} = 4V$ , $I_{HVOUT} = 0A$ ,<br>BIN UVLO disabled  |     | 1.1  | 2.6  | $\mu A$     |
|  |                      | $V_{HVOUT} = 4V$ , $I_{HVOUT} = 0A$ ,<br>BIN UVLO enabled   |     | 1.3  | 3    |             |
| Minimum Input Voltage Startup  | $V_{HVIN\_STUP}$     | $I_{LOAD} = 1mA$ , minimum input<br>voltage for correct startup of the<br>buck-boost                      | 1.9 |      |      | V           |
| Maximum Output Operating Power   | $P_{MAXHVOUT}$       | $V_{HVIN} = 3V$   | 250 |      |      | mW          |
| Output Voltage   | $V_{HVOUT}$          | 100mV step  | 2.5 |      | 5    | V           |
| Output Accuracy  | $ACC_{HVOUT}$        | $I_{HVOUT} = 1mA$ , average output<br>$C_{OUT} \geq 10\mu F$  | -3  |      | +3   | %           |
| Line Regulation Error  | $V_{HVINREG\_BOOST}$ | $V_{HVIN} = 1.8V$ to $5.5V$ ,<br>$I_{HVOUT} = 10\mu A$ , $V_{HVOUT} = 4V$ ,<br>$I_{SET} = 100mA$          | -1  | 0.1  | +1   | %/V         |

## Electrical Characteristics (continued)

( $V_{CC} = V_{BIN} = V_{LIN} = V_{HVIN} = V_{SWIN} = 2.7V$ ,  $T_A = -40^{\circ}C$  to  $+85^{\circ}C$ , all registers in their default state, unless otherwise noted. Typical values are at  $T_A = +25^{\circ}C$ .) (Note 1)

| PARAMETER                             | SYMBOL                | CONDITIONS   | MIN  | TYP  | MAX  | UNITS       |
|---------------------------------------|-----------------------|--|------|------|------|-------------|
| Load Regulation Error                 | $V_{LOADREG\_BOOST}$  | $V_{HVOUT} = 4V$ , $I_{HVOUT} = 10\mu A$ to $50mA$ , $I_{SET} = 100mA$                                 |      | 100  |      | mV/A        |
|                                       |                       | $V_{HVOUT} = 4V$ , $I_{HVOUT} = 10\mu A$ to $100mA$ , $I_{SET} = 100mA$                                |      | 310  |      |             |
| Line Transient                        | $V_{LINETRAN\_BST}$   | $V_{HVOUT} = 4V$ , $I_{SET} = 100mA$ ,<br>$V_{HVIN} = V_{CC} = 2.5V$ to $5V$ ,<br>$0.2\mu s$ rise time |      | 15   |      | mV          |
| Load Transient                        | $V_{LOADTRAN\_BST}$   | $I_{HVOUT} = 0mA$ to $10mA$ , $200ns$ rise time, $V_{HVOUT} = 4V$ , $I_{SET} = 100mA$                  |      | 9    |      | mV          |
|                                       |                       | $I_{HVOUT} = 0mA$ to $100mA$ , $200ns$ rise time, $V_{HVOUT} = 4V$ , $I_{SET} = 100mA$                 |      | 31   |      |             |
| Oscillator Frequency                  | $f_{OSC\_BST}$        |  | 1.78 | 2    | 2.25 | MHz         |
| Passive Discharge Pulldown Resistance | $R_{PDL\_BST}$        |  | 5    | 10   | 16   | k $\Omega$  |
| Active Discharge Current              | $I_{ACTDL\_BST}$      | $V_{HVIN} = 3V$  | 6    | 19   | 38   | mA          |
| Turn-On Time                          | $t_{ON\_BOOST}$       | Time from enable to full current capability  |      | 100  |      | ms          |
| UVLO on HVOUT                         | $V_{HVOUT\_UVLO}$     | UVLO voltage on HVOUT rising   | 1.6  | 1.75 | 1.9  | V           |
| UVLO Threshold Hysteresis             | $V_{UVLO\_HYS}$       |  |      | 150  |      | mV          |
| Precharge Current                     | $I_{PC\_BOOST}$       | Precharge current. $V_{HVIN} = 1.8V$ ,<br>$V_{HVOUT} = 1.65V$  | 4    | 6.5  | 9    | mA          |
| Startup Input Current                 | $I_{INSTUP\_BST}$     | Input startup current. $V_{HVIN} = 1.8V$ ,<br>$V_{HVOUT} = 1.6V$                                       |      | 11   |      | mA          |
| Startup Output Current                | $I_{OSTUP\_BST}$      | Output startup current.<br>$V_{HVIN} = 1.8V$ , $V_{HVOUT} = 5V$  |      | 6.5  |      | mA          |
| Pulse Mode Input Current Limit        | $I_{PLS\_IN}$         | $V_{HVOUT} = 4V$ , $V_{HVIN} < V_{HVOUT} - 0.5V$ , $f_{SW} = f_{OSC}/10$ ,<br>$I_{SET} = 100mA$        |      | 6.6  |      | mA          |
| Pulse Mode Switching Period Ratio     | $T_{RATIO}$           | $f_{OSC}/f_{SW}$ , 128 steps   | 10   |      | 138  |             |
| Short-Circuit Peak Current Limit      | $I_{SHRT\_BOOST}$     | $V_{HVOUT} = GND$ .  | 0.4  | 1.1  | 1.9  | A           |
| Thermal-Shutdown Threshold            | $T_{SHDN\_BST}$       | $T_J$ rising   |      | 150  |      | $^{\circ}C$ |
| Thermal-Shutdown Hysteresis           | $T_{SHDN\_HYST\_BST}$ |  |      | 21   |      | $^{\circ}C$ |

## Electrical Characteristics (continued)

( $V_{CC} = V_{BIN} = V_{LIN} = V_{HVIN} = V_{SWIN} = 2.7V$ ,  $T_A = -40^{\circ}C$  to  $+85^{\circ}C$ , all registers in their default state, unless otherwise noted. Typical values are at  $T_A = +25^{\circ}C$ .) (Note 1)

| PARAMETER  | SYMBOL                 | CONDITIONS   | MIN  | TYP  | MAX  | UNITS       |
|--|------------------------|--|------|------|------|-------------|
| <b>BUCK CONVERTER (<math>C_{OUT} = 10MF</math>, <math>L = 2.2MH</math>, unless otherwise noted.)</b> |                        |  |      |      |      |             |
| Input Voltage Range  | $V_{BIN}$              |  | 1.8  |      | 5.5  | V           |
| Quiescent Supply Current   | $I_{Q\_BUCK}$          | $I_{BOUT} = 0A$  |      | 0.8  | 1.6  | $\mu A$     |
|  |                        | $I_{BOUT} = 0A$ , BIN UVLO enabled   |      | 1    | 2    |             |
|  |                        | $I_{BOUT} = 0A$ , BuckMd[1:0] = 01   |      |      |      | 4.8         |
| Maximum Operative Output Current   | $I_{MAXBOUT}$          |  | 250  |      |      | mA          |
| Output Voltage   | $V_{BOUT}$             | 25mV step  | 1    |      | 2    | V           |
| Output Accuracy  | $A_{CC\_BOUT}$         | $V_{BIN} = (V_{BOUT} + 0.1V)$ or higher, $I_{BOUT} = 1mA$ ; average output | -3   |      | +3   | %           |
| Dropout Voltage  | $V_{DROP\_BUCK}$       | $I_{BOUT} = 0A$  |      | 95   | 120  | mV          |
| Line Regulation Error  | $V_{LINEREG\_BUCK}$    | $V_{BIN} =$ from 2V to 5V, $V_{BOUT} = 1.2V$                               |      | 0.65 |      | %/V         |
| Load Regulation Error  | $V_{LOADREG\_BUCK}$    | BuckInteg = 1, $I_{BOUT} = 200mA$  |      | 23   |      | mV          |
| Line Transient   | $V_{LINETRAN\_BUCK}$   | $V_{BOUT} = 1.2V$ , $V_{BIN} = V_{CC}$ : 2.0V to 5V, 1 $\mu s$ rise time   |      | 50   |      | mV          |
| Load Transient   | $V_{LOADTRAN\_BUCK}$   | $I_{BOUT} = 0mA$ to 200mA, 200ns rise time                                 |      | 70   |      | mV          |
| Oscillator Frequency   | $f_{OSC\_BK}$          |  | 1.78 | 2    | 2.25 | MHz         |
| Passive Discharge Pull-Down Resistance   | $R_{PDL\_BK}$          |  | 5    | 10   | 16   | k $\Omega$  |
| Active Discharge Current   | $I_{ACTDL\_BK}$        |  | 5.5  | 17   | 33   | mA          |
| Turn-On Time   | $t_{ON\_BUCK}$         | Time from enable to full current capability; BuckFst = 0                   |      | 60   |      | ms          |
|  |                        | Time from enable to full current capability; BuckFst = 1                   |      | 30   |      |             |
| Startup Output Current   | $I_{STUP\_BK}$         | BuckFst = 0  |      | 18   |      | mA          |
| Startup Output Current   | $I_{STUP\_BK}$         | BuckFst = 1  |      | 42   |      | mA          |
| Short-Circuit Peak Current Limit   | $I_{SHRT\_BUCK}$       | $V_{BOUT} = GND$ .   | 0.54 | 0.8  | 2.19 | A           |
| Thermal-Shutdown Threshold   | $T_{SHDN\_BUCK}$       | $T_J$ rising   |      | 150  |      | $^{\circ}C$ |
| Thermal-Shutdown Hysteresis  | $T_{SHDN\_HYST\_BUCK}$ |  |      | 21   |      | $^{\circ}C$ |

## Electrical Characteristics (continued)

( $V_{CC} = V_{BIN} = V_{LIN} = V_{HVIN} = V_{SWIN} = 2.7V$ ,  $T_A = -40^{\circ}C$  to  $+85^{\circ}C$ , all registers in their default state, unless otherwise noted. Typical values are at  $T_A = +25^{\circ}C$ .) (Note 1)

| PARAMETER   | SYMBOL              | CONDITIONS   | MIN  | TYP      | MAX   | UNITS      |
|---|---------------------|--|------|----------|-------|------------|
| <b>LDO (<math>C_{LOUT} = 1\mu F</math>, unless otherwise noted. Typical values are with <math>I_{LOUT} = 10mA</math>, <math>V_{LOUT} = 2V</math>)</b> |                     |  |      |          |       |            |
| Input Voltage Range   | $V_{LIN}$           | LDO mode   | 1.71 |          | 5.5   | V          |
|   |                     | Switch mode  | 1.2  |          | 5.5   |            |
| Quiescent Supply Current  | $I_{Q\_LDO}$        | $I_{LOUT} = 0A$  |      | 0.9      | 1.9   | $\mu A$    |
|   |                     | $I_{LOUT} = 0A$ , LIN UVLO enabled                                 |      | 1.1      | 2.2   |            |
|   |                     | $I_{LOUT} = 0A$ , switch mode                                      |      | 0.3      | 0.5   |            |
| Quiescent Supply Current in dropout   | $I_{Q\_LDO\_DRP}$   | $I_{LOUT} = 0A$ , $V_{SET} = 2.8V$                                 |      | 2.1      | 4.6   | $\mu A$    |
| Maximum Output Current  | $I_{LOUT\_MAX}$     | $V_{LIN} > 1.8V$   | 100  |          |       | mA         |
|   |                     | $V_{LIN} = 1.8V$ or lower  | 50   |          |       |            |
| Output Voltage  | $V_{LOUT}$          | 100mV step   | 0.9  |          | 4     | V          |
| Output Accuracy   | $ACC_{LDO}$         | $V_{LIN} = (V_{LOUT} + 0.5V)$ or higher, $I_{LOUT} = 1mA$          | -3.1 |          | +3.1  | %          |
| Dropout Voltage   | $V_{DROP\_LDO}$     | $V_{LIN} = V_{SET} = 2.7V$ , $I_{LOUT} = 100mA$                    |      |          | 100   | mV         |
| Line Regulation Error   | $V_{LINEREG\_LDO}$  | $V_{LIN} = (V_{LOUT} + 0.5V)$ to 5.5V                              | -0.5 |          | +0.5  | %/V        |
| Load Regulation Error   | $V_{LOADREG\_LDO}$  | $V_{LIN} = 1.8V$ or higher, $I_{LOUT} = 100\mu A$ to 100mA         |      | 0.001    | 0.005 | %/mA       |
| Line Transient  | $V_{LINETRAN\_LDO}$ | $V_{LIN} = 4V$ to 5V, 200ns rise time                              |      | $\pm 35$ |       | mV         |
|   |                     | $V_{LIN} = 4V$ to 5V, 1 $\mu s$ rise time                          |      | $\pm 25$ |       |            |
| Load Transient  | $V_{LOADTRAN\_LDO}$ | $I_{LOUT} = 0mA$ to 10mA, 200ns rise time                          |      | 100      |       | mV         |
|   |                     | $I_{LOUT} = 0mA$ to 100mA, 200ns rise time                         |      | 200      |       |            |
| Passive Discharge Pulldown Resistance   | $R_{PDL\_LDO}$      |  | 4    | 10       | 18    | k $\Omega$ |
| Active Discharge Current  | $I_{ACTDL\_LDO}$    |  | 5    | 20       | 40    | mA         |
| Switch Mode Resistance  | $R_{ON\_LDO}$       | $V_{LIN} = 1.8V$ , $I_{LOUT} = 50mA$                               |      |          | 1     | $\Omega$   |
|   |                     | $V_{LIN} = 1.2V$ , $I_{LOUT} = 5mA$                                |      |          | 3     |            |
| Turn-On Time  | $t_{ON\_LDO}$       | $I_{LOUT} = 0mA$ , time from 10% to 90% of final regulation value  |      | 0.95     |       | ms         |
|   |                     | $I_{LOUT} = 0mA$ , time from 10% to 90% of $V_{LIN}$ , Switch mode |      | 1.8      |       |            |
| Short-Circuit Current Limit   | $I_{SHRT\_LDO}$     | $V_{LOUT} = GND$   |      | 380      |       | mA         |
|   |                     | $V_{LOUT} = GND$ , Switch mode                                     |      | 370      |       |            |

### Electrical Characteristics (continued)

( $V_{CC} = V_{BIN} = V_{LIN} = V_{HVIN} = V_{SWIN} = 2.7V$ ,  $T_A = -40^{\circ}C$  to  $+85^{\circ}C$ , all registers in their default state, unless otherwise noted. Typical values are at  $T_A = +25^{\circ}C$ .) (Note 1)

| PARAMETER  | SYMBOL                | CONDITIONS   | MIN  | TYP  | MAX  | UNITS         |
|--|-----------------------|--|------|------|------|---------------|
| Thermal-Shutdown Threshold                               | $t_{SHDN\_LDO}$       | $T_J$ rising   |      | 150  |      | $^{\circ}C$   |
| Thermal-Shutdown Hysteresis                              | $t_{SHDN\_HYST\_LDO}$ |  |      | 21   |      | $^{\circ}C$   |
| Output Noise   | $OUT_{NOISE\_LDO}$    | 10Hz to 100kHz, $V_{LIN} = 5V$ ,<br>$V_{LOUT} = 3.3V$          |      | 150  |      | $\mu V_{RMS}$ |
|  |                       | 10Hz to 100kHz, $V_{LIN} = 5V$ ,<br>$V_{LOUT} = 2.5V$          |      | 125  |      |               |
|  |                       | 10Hz to 100kHz, $V_{LIN} = 5V$ ,<br>$V_{LOUT} = 1.2V$          |      | 90   |      |               |
|  |                       | 10Hz to 100kHz, $V_{LIN} = 5V$ ,<br>$V_{LOUT} = 0.9V$          |      | 80   |      |               |
| <b>BATTERY IMPEDANCE MEASUREMENT</b>                     |                       |  |      |      |      |               |
| SWOUT Allowed Supply Range                               | $V_{SWOUT}$           |  | 2    |      | 5.5  | V             |
| SWOUT UVLO   | $U_{VLOSWOUT}$        | Falling edge   | 1.92 |      | 2    | V             |
| SWOUT UVLO Hysteresis                                    | $U_{VLOHYST}$         | Hysteresis   |      | 30   |      | mV            |
| $V_{CC}$ Impedance Test Current Range                    | $I_{BIM\_CUR}$        | Programmable current source with step change of 2x             | 250  |      | 8000 | $\mu A$       |
| $V_{CC}$ Impedance Test Current Accuracy                 | $I_{BIM\_ACC}$        | $V_{CC} > 1.2V$  | -10  |      | 10   | %             |
| $V_{CC}$ Input Divider Resistance                        | $R_{VCC}$             | $V_{CC}$ measure enabled                                       |      | 1.5  |      | M $\Omega$    |
| Measurable $V_{CC}$ Voltage Range                        | $V_{CC\_FS}$          | Allowed $V_{CC}$ voltages range for SAR ADC operation          | 1.2  |      | 3.6  | V             |
| $V_{CC}$ Voltage Resolution LSB                          | $V_{CC\_LSB}$         |  |      | 10.2 |      | mV            |
| Worst-Case Accuracy of Single $V_{CC}$ Measurement       | $V_{CC\_ACC}$         | $V_{CC} = 1.2V$  | -72  |      | +72  | mV            |
|  |                       | $V_{CC} = 3.6V$  | -100 |      | +100 |               |
| Worst-Case Accuracy of Differential $V_{CC}$ Measurement | $V_{CC\_ACC\_DIFF}$   | $V_{CC1} - V_{CC2} = 100mV$                                    | -22  |      | +22  | %             |
|  |                       | $V_{CC1} - V_{CC2} = 1.0V$                                     | -3.5 |      | +3.5 |               |
| $V_{CC}$ Voltage Wait Time Accuracy                      | $t_{WAIT\_ACC}$       | 10ms, 100ms, 1s programmable $t_{WAIT}$                        | -10  |      | +10  | %             |
| SAR ADC $V_{CC}$ Voltage Conversion Time                 | $t_{CONV}$            | Actual full $V_{CC}$ measurement time is $t_{WAIT} + t_{CONV}$ |      | 120  |      | $\mu s$       |



### Electrical Characteristics (continued)

( $V_{CC} = V_{BIN} = V_{LIN} = V_{HVIN} = V_{SWIN} = 2.7V$ ,  $T_A = -40^{\circ}C$  to  $+85^{\circ}C$ , all registers in their default state, unless otherwise noted. Typical values are at  $T_A = +25^{\circ}C$ .) (Note 1)

| PARAMETER   | SYMBOL                 | CONDITIONS  | MIN  | TYP  | MAX  | UNITS     |
|---|------------------------|---|------|------|------|-----------|
| <b>MONITOR MULTIPLEXER</b>  |                        |   |      |      |      |           |
| SWIN To MON Switch Resistance   | $R_{MON\_SWIN}$        | $V_{SWIN} > 1.8V$ , $I_{LOAD} = 2mA$                |      | 80   | 120  | $\Omega$  |
| SWOUT/BIN/HVIN/HVOUT/LIN To MON Switch Resistance   | $R_{MON\_HV}$          | Sensed pin voltage $> 1.8V$ , $I_{LOAD} = 500\mu A$ |      |      | 400  | $\Omega$  |
| LOUT/BOU To MON Switch Resistance   | $R_{MON\_LV}$          | Sensed pin voltage $> 0.9V$ , $I_{LOAD} = 500\mu A$ |      |      | 500  | $\Omega$  |
| BBM Time  | $t_{BBM}$              | Anytime MONCtr[2:0] changed                         |      | 80   |      | $\mu s$   |
| Pulldown Resistance   | $R_{MON\_PD}$          | MONHiZ = 0  |      | 100  |      | $k\Omega$ |
| <b>UVLO/POR</b>   |                        |   |      |      |      |           |
| Input Voltage Range   | $V_{VCC}$              |   | 1.8  |      | 5.5  | V         |
| BIN UVLO Threshold Rising   | $V_{TH\_BIN\_RISE}$    |   | 1.68 | 1.73 | 1.77 | V         |
| BIN UVLO Threshold Falling  | $V_{TH\_BIN\_FALLING}$ |   | 1.66 | 1.71 | 1.75 | V         |
| LIN UVLO Threshold Rising   | $V_{TH\_LIN\_RISE}$    |   | 1.64 | 1.68 | 1.72 | V         |
| LIN UVLO Threshold Falling  | $V_{TH\_LIN\_FALLING}$ |   | 1.62 | 1.66 | 1.7  | V         |
| POR Falling   | $V_{TH\_POR\_FALLING}$ | Seal mode   | 0.76 | 1.21 |      | V         |
|   |                        | No seal mode  | 1.55 | 1.66 | 1.77 |           |
| POR Rising  | $V_{TH\_POR\_RISING}$  | Seal mode   |      | 1.27 | 1.71 | V         |
|   |                        | No seal mode  | 1.58 | 1.69 | 1.8  |           |
| <b>DIGITAL SIGNALS (<math>V_{CC} = 1.8V</math> to <math>5.5V</math>, unless otherwise noted. Typical values are at <math>V_{CC} = 2.7V</math>.)</b> |                        |   |      |      |      |           |
| Input Logic-High (SDA, SCL, SWEN, $\overline{KIN}$ , BEN, MPC, LEN, HVEN)   | $V_{IH}$               | No seal mode  | 1.4  |      |      | V         |
| Input Logic-Low (SDA, SCL, SWEN, $\overline{KIN}$ , BEN, MP, LEN, HVEN)   | $V_{IL}$               | No seal mode  |      |      | 0.45 | V         |
|   |                        | No seal mode, $V_{CC} \geq 2.7V$                    |      |      | 0.5  |           |
| Input Logic-High, Seal Mode (SDA, SCL, $\overline{KIN}$ , MPC)  | $V_{IH\_SEAL}$         | Seal mode   | 4.1  |      |      | V         |
|   |                        | Seal mode, $V_{CC} \geq 2.7V$                       | 2.2  |      |      | V         |

## Electrical Characteristics (continued)

( $V_{CC} = V_{BIN} = V_{LIN} = V_{HVIN} = V_{SWIN} = 2.7V$ ,  $T_A = -40^{\circ}C$  to  $+85^{\circ}C$ , all registers in their default state, unless otherwise noted. Typical values are at  $T_A = +25^{\circ}C$ .) (Note 1)

| PARAMETER   | SYMBOL         | CONDITIONS     | MIN | TYP | MAX | UNITS     |
|---|----------------|----------------|-----|-----|-----|-----------|
| Input Logic-Low, Seal Mode (SDA, SCL, $\overline{KIN}$ , MPC) | $V_{IL\_SEAL}$ | Seal mode      |     |     | 0.5 | V         |
| Output Logic-Low (SDA, $\overline{RST}$ , $\overline{KOUT}$ ) | $V_{OL}$       | $I_{OL} = 4mA$ |     |     | 0.4 | V         |
| SCL Clock Frequency   | $f_{SCL}$      |                | 0   |     | 400 | kHz       |
| $\overline{KIN}$ Pullup Resistance                            | $R_{KIN}$      |                |     | 210 |     | $k\Omega$ |
| Bus Free Time Between a Stop and Start Condition              | $t_{BUF}$      |                | 1.3 |     |     | $\mu s$   |
| Start Condition (Repeated) Hold Time                          | $t_{HD:STA}$   | (Note 2)       | 0.6 |     |     | $\mu s$   |
| Low Period of SCL Clock                                       | $t_{LOW}$      |                | 1.3 |     |     | $\mu s$   |
| High Period of SCL Clock                                      | $t_{HIGH}$     |                | 0.6 |     |     | $\mu s$   |
| Setup Time for a Repeated Start Condition                     | $t_{SU:STA}$   |                | 0.6 |     |     | $\mu s$   |
| Data Hold Time  | $t_{HD:DAT}$   | (Note 3)       | 0   |     | 0.9 | $\mu s$   |
| Data Setup Time   | $t_{SU:DAT}$   |                | 100 |     |     | ns        |
| Setup Time for Stop Condition                                 | $t_{SU:STO}$   |                | 0.6 |     |     | $\mu s$   |
| Spike Pulse Widths Suppressed by Input Filter                 | $t_{SP}$       |                | 50  |     |     | ns        |

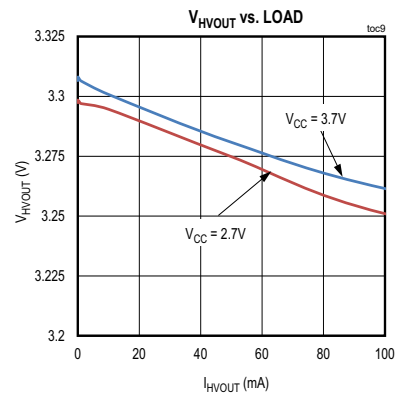
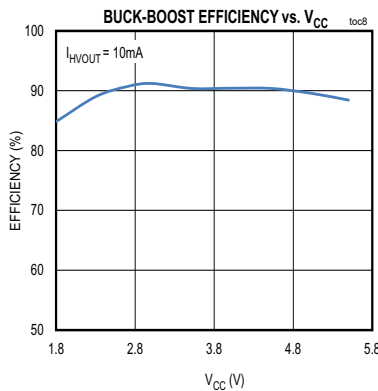
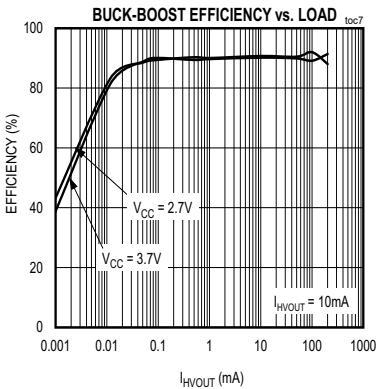
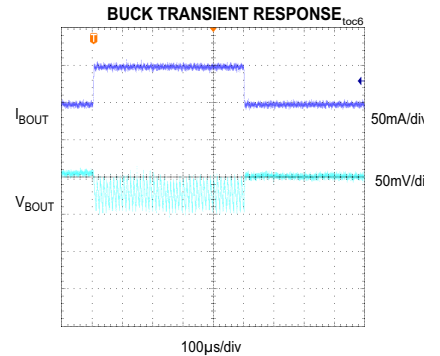
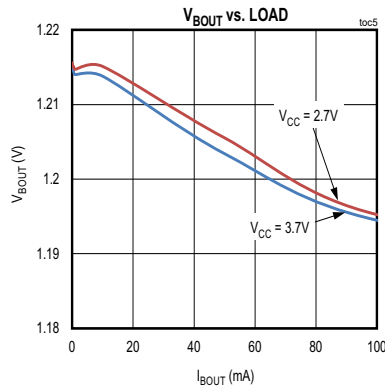
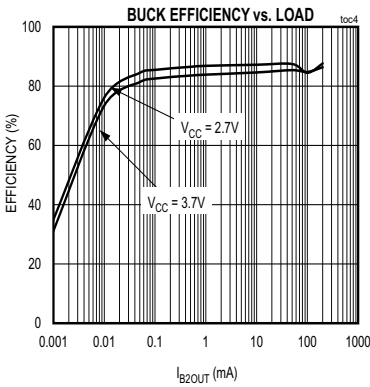
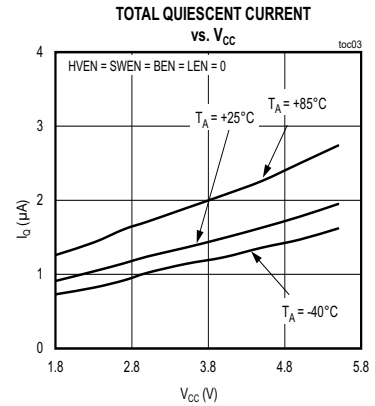
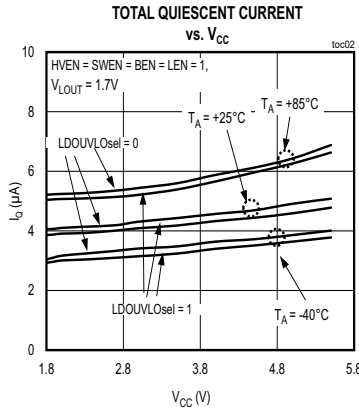
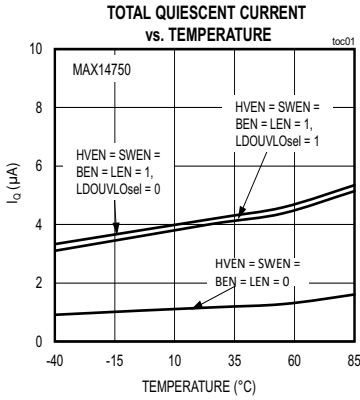
**Note 1:** All devices are 100% production tested at  $T_A = +25^{\circ}C$ . Limits over the operating temperature range are guaranteed by design.

**Note 2:**  $f_{SCL}$  must meet the minimum clock low time plus the rise/fall times.

**Note 3:** The maximum  $t_{HD:DAT}$  has to be met only if the device does not stretch the low period ( $t_{LOW}$ ) of the SCL signal.

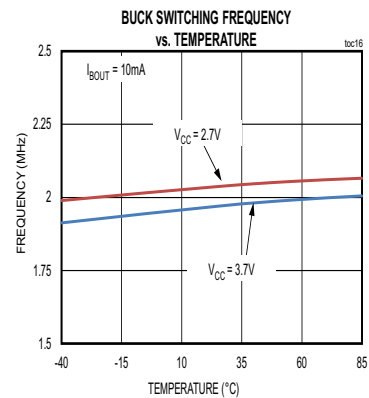
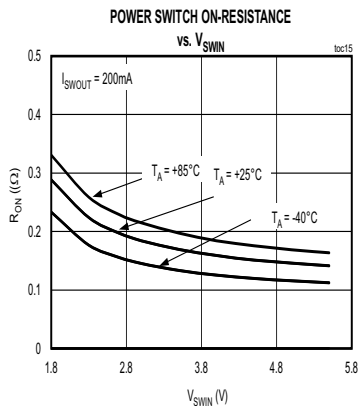
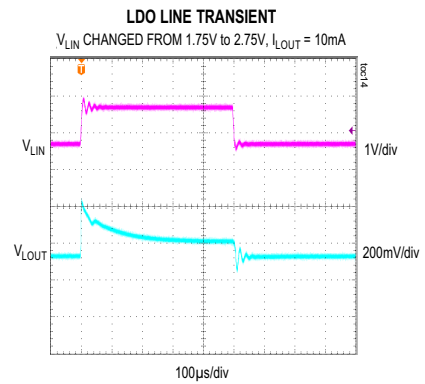
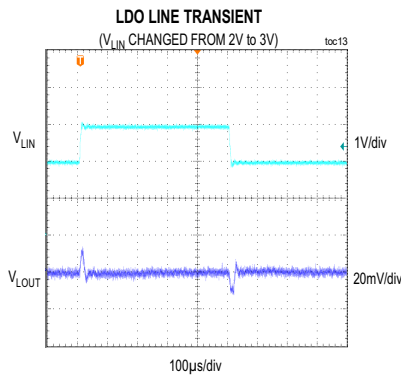
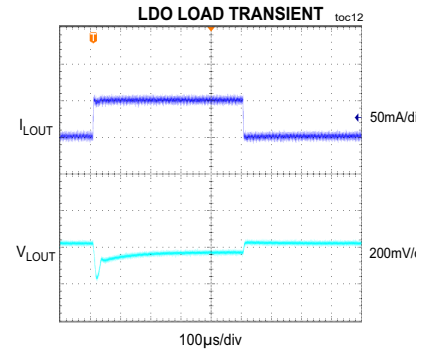
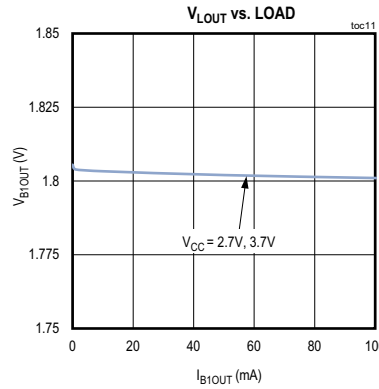
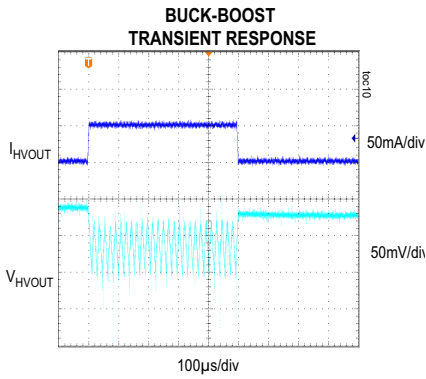
Typical Operating Characteristics

( $V_{CC} = V_{BIN} = V_{LIN} = V_{HVIN} = V_{SWIN} = 2.7V$ ,  $T_A = +25^\circ C$ , all registers in their default state, unless otherwise noted.)

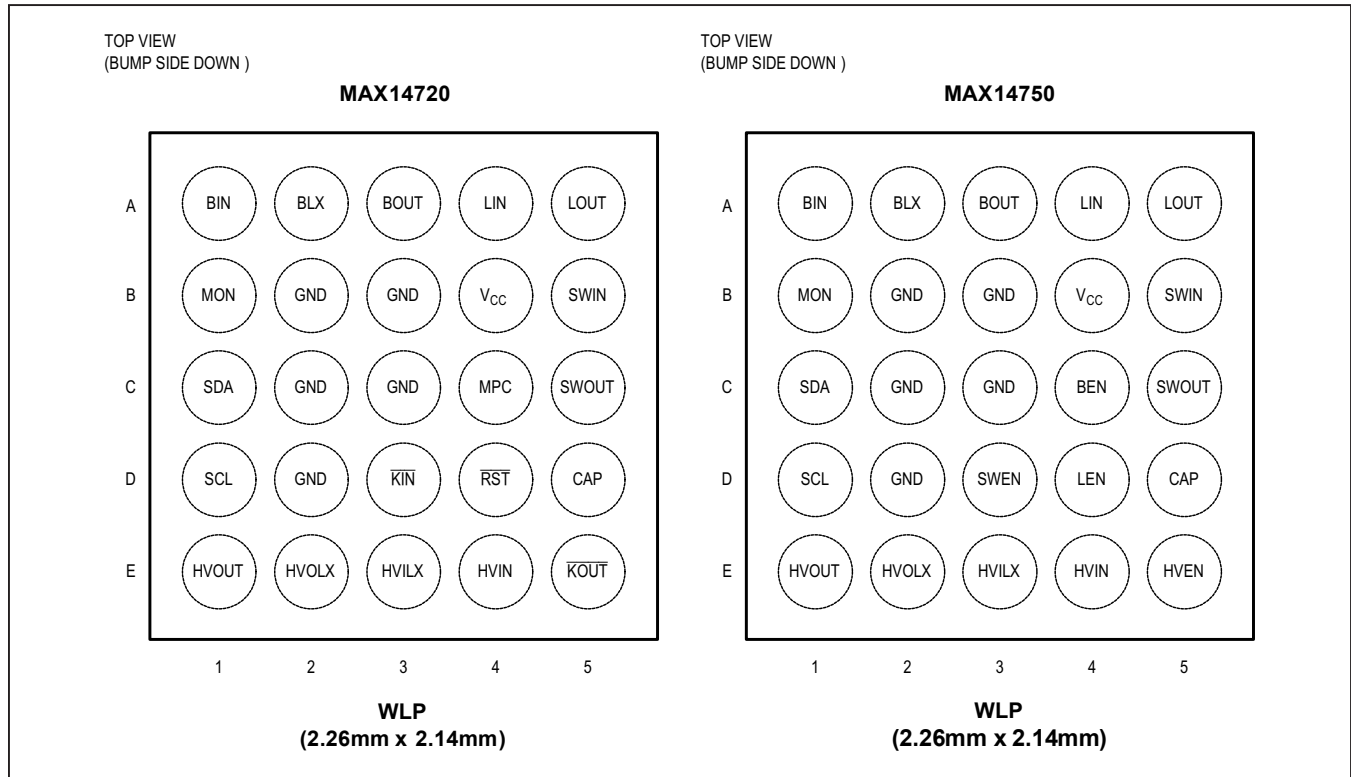


Typical Operating Characteristics (continued)

( $V_{CC} = V_{BIN} = V_{LIN} = V_{HVIN} = V_{SWIN} = 2.7V$ ,  $T_A = +25^\circ C$ , all registers in their default state, unless otherwise noted.)



Bump Configurations



Bump Description

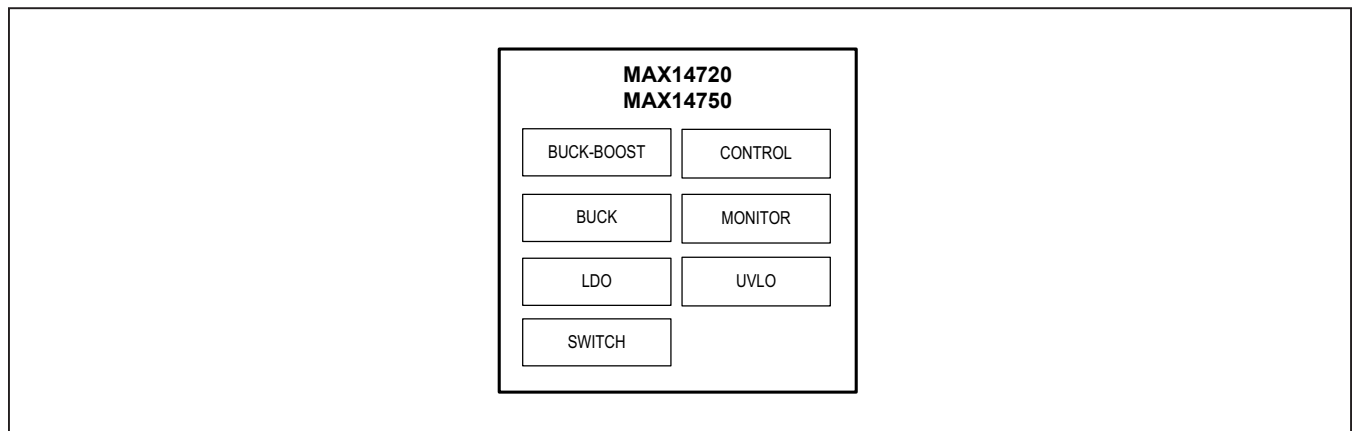
| BUMP               |                    | NAME            | FUNCTION   |
|--------------------|--------------------|-----------------|--|
| MAX14720           | MAX14750           |                 |  |
| A1                 | A1                 | BIN             | Buck Regulator Input (must be connected to HVIN on the board). Bypass with a 1µF capacitor to GND. |
| A2                 | A2                 | BLX             | Buck Regulator Switch  |
| A3                 | A3                 | BOUT            | Buck Regulator Output. Bypass with a 10µF capacitor to GND.  |
| A4                 | A4                 | LIN             | LDO Input. Bypass with a 1µF capacitor to GND.   |
| A5                 | A5                 | LOUT            | LDO Output. Bypass with a 1µF capacitor to GND.  |
| B1                 | B1                 | MON             | Monitor Multiplexer Output   |
| B2, B3, C2, C3, D2 | B2, B3, C2, C3, D2 | GND             | Ground   |
| B4                 | B4                 | V <sub>CC</sub> | Power Supply Input   |
| B5                 | B5                 | SWIN            | Power Switch Input. SWIN ≤ V <sub>CC</sub>   |
| C1                 | C1                 | SDA             | Open-Drain I <sup>2</sup> C Serial Data Input/Output   |
| C4                 | —                  | MPC             | Multipurpose Control Input   |
| —                  | C4                 | BEN             | Active-High Buck Regulator Enable Input  |

Bump Description (continued)

| BUMP     |          | NAME              | FUNCTION  |
|----------|----------|-------------------|---|
| MAX14720 | MAX14750 |                   |   |
| C5       | C5       | SWOUT             | Power Switch Output. Bypass with a 100µF capacitor to GND for battery impedance measurement.            |
| D1       | D1       | SCL               | I <sup>2</sup> C Serial Clock   |
| D3       | —        | $\overline{KIN}$  | KEY Input. Active-low button monitor with internal 210kΩ pullup.  |
| —        | D3       | SWEN              | Active-High Power Switch Enable Input   |
| D4       | —        | $\overline{RST}$  | Active-Low, Open-Drain Reset Output   |
| —        | D4       | LEN               | Active-High Linear Regulator Enable Input   |
| D5       | D5       | CAP               | Internal Power Decoupling. Bypass with a 0.1µF capacitor to GND.  |
| E1       | E1       | HVOUT             | Buck-Boost Regulator Output. Bypass with a 10µF capacitor to GND.                                       |
| E2       | E2       | HVOLX             | Buck-Boost Regulator Boost Switch   |
| E3       | E3       | HVILX             | Buck-Boost Regulator Buck Switch  |
| E4       | E4       | HVIN              | Buck-Boost Regulator Input (Must be Connected to BIN on the Board). Bypass with a 1µF capacitor to GND. |
| E5       | —        | $\overline{KOUT}$ | KEY Output. Active-low, open-drain buffered copy of $\overline{KIN}$ .                                  |
| —        | E5       | HVEN              | Active-High Buck-Boost Regulator Enable Input   |

**Note:** All capacitance values listed in this document refer to effective capacitance. Be sure to specify capacitors that will meet these requirements under typical system operating conditions taking into consideration the effects of voltage and temperature.

Block Diagram



## Detailed Description

### Power Regulation

The MAX14720/MAX14750 include a buck-boost regulator, a synchronous buck regulator, a low quiescent current linear regulator, and a power switch with integrated battery monitoring. Burst mode operation of the switching regulators provides excellent light-load efficiency and allows the switching regulators to run continuously without significant energy cost.

The buck-boost regulator in the devices is suitable for applications (such as low-power display biasing) that need the voltage present continuously while running from a battery. The buck-boost regulator can also operate in a current-limited mode to reduce current surges to the supply. The current-limiting is implemented by dividing down the frequency of the switching and is dependent on the ratio of the input-to-output voltage. Step-down operation is not allowed when current-limiting is active.

### UVLO

In addition to the internal power-on-reset (POR) circuit, the devices also have two UVLO circuits that monitor the voltages on BIN and LIN pin to ensure that input voltages are sufficient for proper operation. It is required that the boost and buck-boost are powered from the same voltage so they share a UVLO on the BIN pin. The LDO has its own UVLO on the LIN pin. The UVLO circuits are disabled when the blocks are not enabled to reduce the quiescent current. The devices provide the ability to select which of the two UVLOs are used so that applications with BIN and LIN tied to the

same supply can share a single UVLO to reduce quiescent current. The selection is made in the UVLOCfg register and the effects of the different settings are shown in the [Table 1](#). In the MAX14720, if there is a fault in a block that is enabled by the sequencer (every \_Seq[2:0] option except 000, 110 or 111) the part will transition to the shutdown state. The device then waits for the fault to clear before beginning the power on sequence. A fault is any condition that causes the block to turn off when it should be enabled, such as a UVLO condition or thermal shutdown. On MAX14720 versions with BatZUVLO enabled and SWSeq = 001 (always on), the load switch is kept on even in the event of a fault. This allows the device to recover from UVLO fault conditions when it is connected as shown in [Figure 11](#). On devices with these options, in the case of a fault during the power sequencing, a retry counter is incremented. If seven failures in a row occur, retries are aborted and the device returns to OFF mode.

### Output Discharge

The regulators include circuitry to discharge their outputs. Active discharge applies a current sink, while passive discharge applies a load resistor. The active discharge is enabled during hard reset, or for 10ms as the part enters the off/seal mode. It can also be activated in the on state by a register bit when the regulator is disabled. Passive discharge is applied in the off/seal mode if the GIBPasDsc bit is set and can also be applied in the on state by a register bit when the regulator is disabled.

**Table 1. UVLO Configuration**

| UVLOCfg | BBBUVLOsel | LDOUVLOsel | BIN UVLO | LIN UVLO |
|---------|------------|------------|----------|----------|
| 0x00    | LIN        | LIN        | Disabled | Enabled  |
| 0x01    | LIN        | BIN        | Enabled  | Enabled  |
| 0x02    | BIN        | LIN        | Enabled  | Enabled  |
| 0x03    | BIN        | BIN        | Enabled  | Disabled |

**Power On/Off and Reset Control**

The MAX14750 provides individual enable pins for each of the primary functions, while the MAX14720 includes a push-button monitor and sequencing controller. [Figure 1](#) shows the basic flow diagram for the power-management control inside the MAX14720. Each primary function of the MAX14720 can be automatically enabled by the sequencing controller. The functions can default to be controlled by the I<sup>2</sup>C configuration registers. The default state is determined by the factory configuration. See [I<sup>2</sup>C Register Descriptions](#) section for more information.

When the device begins the shutdown process, reset is driven low, all functions are disabled and outputs are actively discharged. Then, 10ms later, the device will be in the off state (seal mode) where all functions are disabled except for the power button monitor.

**Power Sequencing**

The sequencing of the voltage regulators during power-on is configurable. Each regulator can be configured to be turned on at one of four points during the power-on process. The four points are:  $t_{BOOT}$  after the power-on event, after the  $RST$  signal is released, or at two points in between. The two points in between are fixed proportionally to the duration of the POR process, but the overall time of the reset delay is configurable at 80ms, 120ms, 220ms, and 420ms. (Note that the actual turn-on time of some converters may be limited by the soft-starting of the output.) [Figure 3](#) shows the timing relationship. Additionally, the

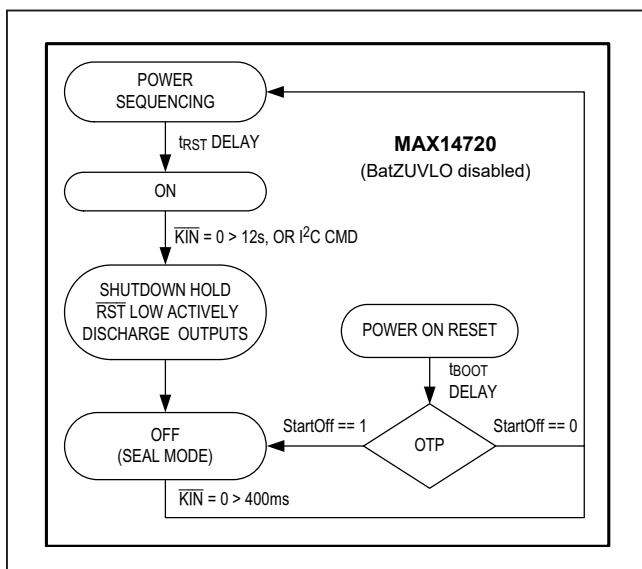


Figure 1. Power State Diagram for MAX14720

regulators can be preselected to default off and can be turned on with an I<sup>2</sup>C command after reset is released.

**Battery Impedance Measurement (MAX14720, BatZUVLO Enabled Only)**

The MAX14720 contains circuitry to measure the impedance of the power supply. To perform this measurement, SWIN must be connected to  $V_{CC}$ , with no capacitor present on the battery-side; all loads draw their power from the power-switch output (see [Typical Application Circuits](#)). By default, the power switch is configured with a soft-start current limit that prevents potential high current drawn from the battery. This soft-start lasts 60ms after the power switch is turned on.

During battery measurement, the impedance measurement circuitry will open the power switch and record the voltage at the input to the switch before and after a current load is applied. During the measurement, the system must rely on the energy stored in the capacitor attached to the output of the switch for operation. If the SWOUT voltage falls below SWOUT UVLO threshold, the battery measurement is immediately aborted and the power switch closes.

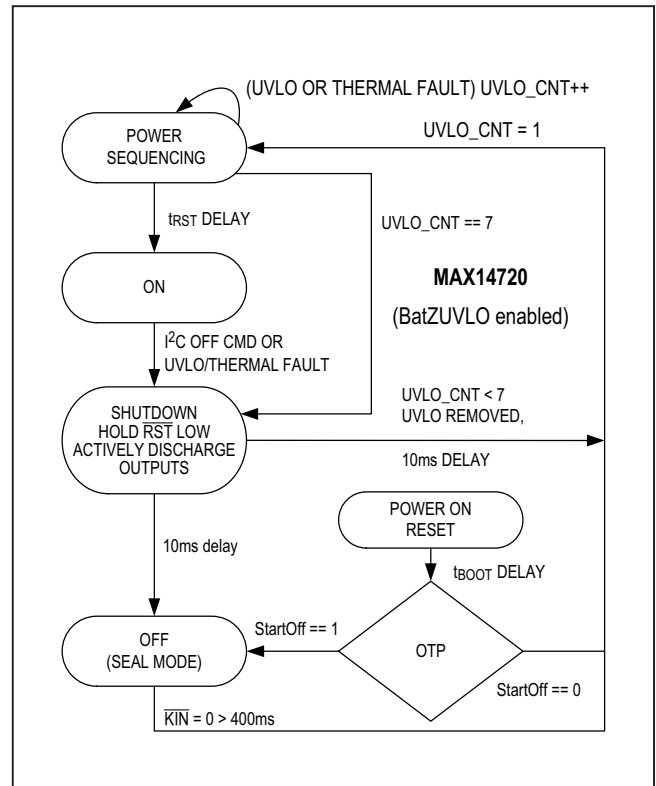


Figure 2. BatZUVLO enabled for MAX14720



The parameters of the current load and the timing of the pulse are specified in registers BatTime(0x0D) and BatCfg(0x0E) when the measurement is requested and the results are presented in registers BatV(0x0F), BatOCV(0x10), and BatLCV(0x11) (see Figure 4). Battery impedance measurement is only available on devices with BatZUVLO enabled (see Table 27).

**I<sup>2</sup>C Interface**

The devices use the two-wire I<sup>2</sup>C interface to communicate with the host microcontroller. The configuration settings and status information provided through this interface are detailed in the register descriptions.

**I<sup>2</sup>C Addresses**

The registers of the devices are accessed through the slave address of 010101Ax (A is configurable by OTP).

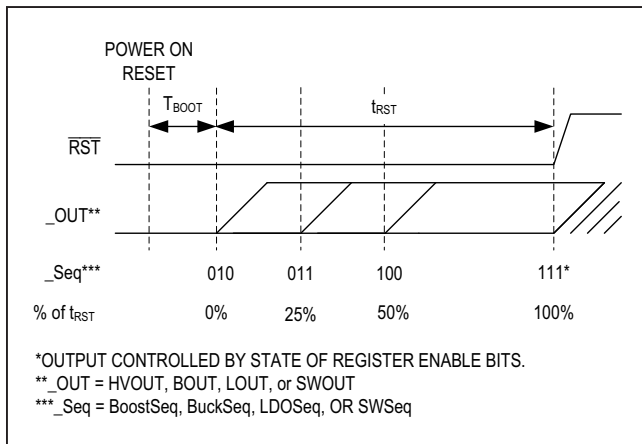


Figure 3. Reset Sequence Programming (MAX14720)

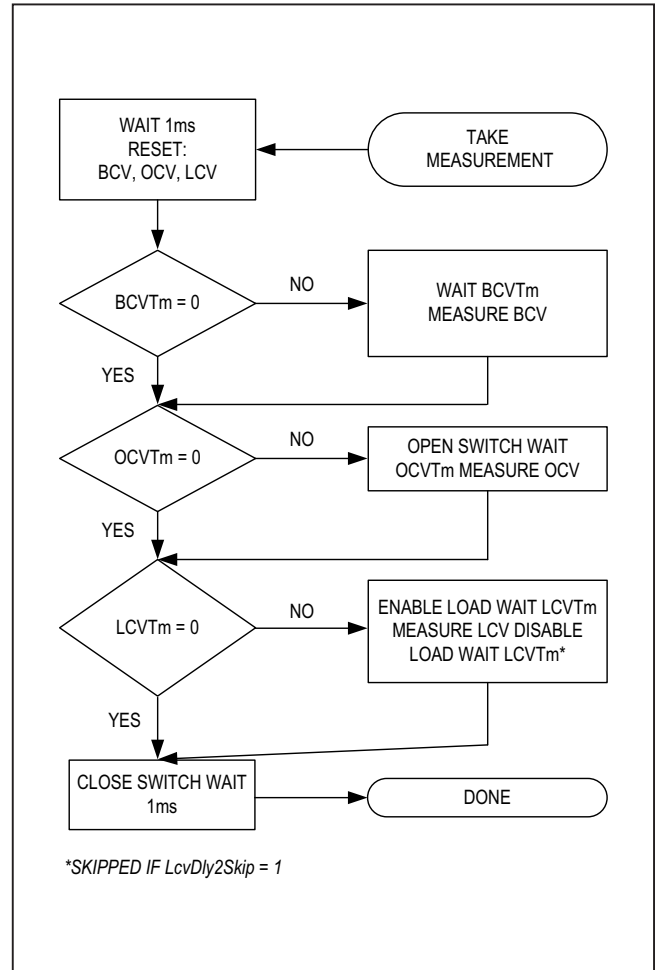


Figure 4. Battery Impedance Measurement

I<sup>2</sup>C Register Map

| REGISTER ADDRESS | REGISTER NAME | B7 | B6 | B5 | B4 | B3 | B2 | B1 | B0 |
|------------------|---------------|----|----|----|----|----|----|----|----|
| 0x00             | ChipId        |    |    |    |    |    |    |    |    |
| 0x01             | ChipRev       |    |    |    |    |    |    |    |    |
| 0x02             | Reserved      |    |    |    |    |    |    |    |    |
| 0x03             | BoostCDiv     |    |    |    |    |    |    |    |    |
| 0x04             | BoostISet     |    |    |    |    |    |    |    |    |
| 0x05             | BoostVSet     |    |    |    |    |    |    |    |    |
| 0x06             | BoostCfgr     |    |    |    |    |    |    |    |    |
| 0x07             | BuckVSet      |    |    |    |    |    |    |    |    |
| 0x08             | BuckCfgr      |    |    |    |    |    |    |    |    |
| 0x09             | BuckISet      |    |    |    |    |    |    |    |    |
| 0x0A             | LDOVSet       |    |    |    |    |    |    |    |    |
| 0x0B             | LDOCfg        |    |    |    |    |    |    |    |    |
| 0x0C             | SwitchCfgr    |    |    |    |    |    |    |    |    |
| 0x0D             | BatTime       |    |    |    |    |    |    |    |    |
| 0x0E             | BatCfgr       |    |    |    |    |    |    |    |    |
| 0x0F             | BatBCV        |    |    |    |    |    |    |    |    |
| 0x10             | BatOCV        |    |    |    |    |    |    |    |    |
| 0x11             | BatLCV        |    |    |    |    |    |    |    |    |
| 0x12-0x18        | Reserved      |    |    |    |    |    |    |    |    |
| 0x19             | MONCfgr       |    |    |    |    |    |    |    |    |
| 0x1A             | BootCfgr      |    |    |    |    |    |    |    |    |
| 0x1B             | PinStat       |    |    |    |    |    |    |    |    |
| 0x1C             | BBBExtra      |    |    |    |    |    |    |    |    |
| 0x1D             | HandShk       |    |    |    |    |    |    |    |    |
| 0x1E             | UVLOCfgr      |    |    |    |    |    |    |    |    |
| 0x1F             | PWROFF        |    |    |    |    |    |    |    |    |
| 0x20...          | OTPMMap       |    |    |    |    |    |    |    |    |
| 0x2B             |               |    |    |    |    |    |    |    |    |

**Note:** All registers reset to default value on hard and soft reset.  
 Reserved Bits: Must not be modified from their default states to ensure proper operation.  
 Bolded Names: Bits default value can be factory configured by OTP. Bolded bits with asterisk are set by OTP only.  
 \*Read-only  
 \*\*Bits autoreset at the end of impedance measurement (either completed or aborted).

## I<sup>2</sup>C Register Descriptions

**Table 2. ChipId Register (0x00)**

|                     |  |   |   |   |   |   |   |   |
|---------------------|--|---|---|---|---|---|---|---|
| <b>ADDRESS:</b>     | 0x00 (Read-Only)   |   |   |   |   |   |   |   |
| <b>BIT</b>          | 7  | 6 | 5 | 4 | 3 | 2 | 1 | 0 |
| <b>NAME</b>         | ChipId[7:0]  |   |   |   |   |   |   |   |
| <b>Chip_Id[7:0]</b> | Chip_Id[7:0] bits show information about the version of the MAX14720/MAX14750. |   |   |   |   |   |   |   |

**Table 3. ChipRev Register (0x01)**

|                     |   |   |   |   |   |   |   |   |
|---------------------|---|---|---|---|---|---|---|---|
| <b>ADDRESS:</b>     | 0x01 (Read-Only)  |   |   |   |   |   |   |   |
| <b>BIT</b>          | 7   | 6 | 5 | 4 | 3 | 2 | 1 | 0 |
| <b>NAME</b>         | ChipRev[7:0]  |   |   |   |   |   |   |   |
| <b>ChipRev[7:0]</b> | ChipRev[7:0] bits show information about the revision of the MAX14720/MAX14750 silicon. |   |   |   |   |   |   |   |

**Table 4. BoostCDiv Register (0x03)**

|                       |  |                |   |   |   |   |   |   |
|-----------------------|--|----------------|---|---|---|---|---|---|
| <b>ADDRESS:</b>       | 0x03   |                |   |   |   |   |   |   |
| <b>BIT</b>            | 7  | 6              | 5 | 4 | 3 | 2 | 1 | 0 |
| <b>NAME</b>           | ClkDivEn   | ClkDivSet[6:0] |   |   |   |   |   |   |
| <b>ClkDivEn</b>       | <p>Boost Current-Limited Output Mode Enable<br/>           This allows the boost regulator to be operated in a current limited output mode.<br/>           0: Normal Operation, Full Output Current Capability<br/>           1: Divided Clock Current Limited Mode</p> <p>When the clock divider is enabled, the boost is operated with a fixed peak current limit and programmable frequency. The peak current is set by BoostlSet[2:0] and the switching frequency is determined by ClkDivSet[6:0]. The regulator will stop switching when the voltage is above the set point and will only run when the voltage is below the output setting. This mode can only be enabled once the output voltage is set higher than the input voltage.</p> |                |   |   |   |   |   |   |
| <b>ClkDivSet[6:0]</b> | <p>Current-Limited Boost Clock Divider Setting<br/>           When the current limited mode is enabled, the frequency of the boost regulator in current limited mode will be the frequency of the oscillator divided by the value of (10 + ClkDivSet[6:0]). The range is <math>f_{OSC}/10</math> to <math>f_{OSC}/137</math>.</p>  |                |   |   |   |   |   |   |

**Table 5. BoostlSet Register (0x04)**

|                       |   |   |   |   |   |                |   |   |
|-----------------------|---|---|---|---|---|----------------|---|---|
| <b>ADDRESS:</b>       | 0x04  |   |   |   |   |                |   |   |
| <b>BIT</b>            | 7   | 6 | 5 | 4 | 3 | 2              | 1 | 0 |
| <b>NAME</b>           | —   | — | — | — | — | BoostlSet[2:0] |   |   |
| <b>BoostlSet[2:0]</b> | <p>Buck-Boost Peak Current-Limit Setting<br/>           000: 0 (Minimum On-Time)<br/>           001: 50mA<br/>           010: 100mA<br/>           011: 150mA<br/>           100: 200mA<br/>           101: 250mA<br/>           110: 300mA<br/>           111: 350mA</p> |   |   |   |   |                |   |   |

**Table 6. BoostVSet Register (0x05)**

| ADDRESS:              | 0x05  |   |   |                |   |   |   |   |
|-----------------------|---|---|---|----------------|---|---|---|---|
| BIT                   | 7   | 6 | 5 | 4              | 3 | 2 | 1 | 0 |
| NAME                  | —   | — | — | BoostVSet[4:0] |   |   |   |   |
| <b>BoostVSet[4:0]</b> | Boost Output Voltage Setting. This setting is internally latched and can change only when boost is disabled.<br>2.5V to 5.0V, linear scale, 100mV increments<br>000000 = 2.5V<br>000001 = 2.6V<br>...<br>011001 = 5.0V<br>> 011001 = 5.0V |   |   |                |   |   |   |   |

**Table 7. BoostCfg Register (0x06)**

| ADDRESS:             | 0x06  |   |   |              |   |   |          |          |
|----------------------|---|---|---|--------------|---|---|----------|----------|
| BIT                  | 7   | 6 | 5 | 4            | 3 | 2 | 1        | 0        |
| NAME                 | BoostSeq[2:0] (Read-only)   |   |   | BoostEn[1:0] |   | — | BoostEMI | BoostInd |
| <b>BoostSeq[2:0]</b> | Boost Enable Configuration (Read-Only)<br>000 = Disabled<br>001 = Reserved<br>010 = Enabled at 0% of Boot/POR Process Delay Control<br>011 = Enabled at 25% of Boot/POR Process Delay Control<br>100 = Enabled at 50% of Boot/POR Process Delay Control<br>101 = Reserved<br>110 = Controlled by HVEN (MAX14750)<br>111 = Controlled by BoostEn [1:0] after 100% of Boot/POR Process Delay Control (MAX14720) |   |   |              |   |   |          |          |
| <b>BoostEn[1:0]</b>  | Boost Enable Configuration (effective only when BoostSeq[2:0] == 111)<br>00 = Disabled. Active discharge behavior depends on BoostActDsc.<br>01 = Enabled<br>10 = Enabled when MPC is high<br>11 = Reserved   |   |   |              |   |   |          |          |
| <b>BoostEMI</b>      | Boost EMI reduction. Dampens ringing of the inductor when in discontinuous mode<br>0 = EMI damping active (improve EMI)<br>1 = EMI damping disabled (improve Efficiency)  |   |   |              |   |   |          |          |
| <b>BoostInd</b>      | Boost Inductance Select<br>1 = Inductance is 3.3μH<br>0 = Inductance is 4.7μH   |   |   |              |   |   |          |          |

Table 8. BuckVSet Register (0x07)

| ADDRESS:             | 0x07  |   |               |   |   |   |   |   |
|----------------------|---|---|---------------|---|---|---|---|---|
| BIT                  | 7   | 6 | 5             | 4 | 3 | 2 | 1 | 0 |
| NAME                 | —   | — | BuckVSet[5:0] |   |   |   |   |   |
| <b>BuckVSet[5:0]</b> | Buck Output Voltage Setting This setting is internally latched and can change only when buck is disabled.<br>1.0V to 2.0V, linear scale, 25mV increments<br>000000 = 1.000V<br>000001 = 1.025V<br>...<br>101000 = 2.0V<br>> 101000 = 2.0V |   |               |   |   |   |   |   |

Table 9. BuckCfg Register (0x08)

| ADDRESS:            | 0x08  |   |   |             |   |             |   |         |
|---------------------|---|---|---|-------------|---|-------------|---|---------|
| BIT                 | 7   | 6 | 5 | 4           | 3 | 2           | 1 | 0       |
| NAME                | BuckSeq[2:0] (Read-only)  |   |   | BuckEn[1:0] |   | BuckMd[1:0] |   | BuckFst |
| <b>BuckSeq[2:0]</b> | Buck Enable Configuration (Read-Only)<br>000 = Disabled<br>001 = Reserved<br>010 = Enabled at 0% of Boot/POR Process Delay Control<br>011 = Enabled at 25% of Boot/POR Process Delay Control<br>100 = Enabled at 50% of Boot/POR Process Delay Control<br>101 = Reserved<br>110 = Controlled by BEN (MAX14750)<br>111 = Controlled by BuckEn [1:0] after 100% of Boot/POR Process Delay Control |   |   |             |   |             |   |         |
| <b>BuckEn[1:0]</b>  | Buck Enable Configuration (effective only when BuckSeq[2:0] == 111)<br>00 = Disabled. Active discharge behavior depends on BuckActDsc.<br>01 = Enabled<br>10 = Enabled when MPC is high<br>11 = Reserved  |   |   |             |   |             |   |         |
| <b>BuckMd[1:0]</b>  | Buck Mode Select<br>00 = Burst mode<br>01 = Forced PWM mode<br>10 = Forced PWM mode when MPC is high<br>11 = Reserved   |   |   |             |   |             |   |         |
| <b>BuckFst</b>      | Buck Fast Start<br>0 = Normal startup current limit<br>1 = Double the startup current to reduce the startup time by half  |   |   |             |   |             |   |         |

**Table 10. BuckISet Register (0x09)**

| ADDRESS:             | 0x09  |   |   |         |         |            |           |           |
|----------------------|---|---|---|---------|---------|------------|-----------|-----------|
| BIT                  | 7   | 6 | 5 | 4       | 3       | 2          | 1         | 0         |
| NAME                 | BuckISet[2:0]   |   |   | BuckCfg | BuckInd | BuckHysOff | BuckMinOT | BuckInteg |
| <b>BuckISet[2:0]</b> | Buck Peak Current Limit Setting<br>000: 50mA<br>001: 100mA<br>010: 150mA<br>011: 200mA<br>100: 250mA<br>101: 300mA<br>110: 350mA<br>111: 400mA  |   |   |         |         |            |           |           |
| <b>BuckCfg</b>       | Buck Configuration<br>0 = set to 0 for burst mode<br>1 = set to 1 for FPWM mode   |   |   |         |         |            |           |           |
| <b>BuckInd</b>       | Buck Inductance Select<br>0 = Inductance is 2.2 $\mu$ H<br>1 = Inductance is 4.7 $\mu$ H  |   |   |         |         |            |           |           |
| <b>BuckHysOff</b>    | Buck Hysteresis Off<br>0 = Enable comparator hysteresis<br>1 = Disable comparator hysteresis (recommended to reduce voltage ripple)   |   |   |         |         |            |           |           |
| <b>BuckMinOT</b>     | Buck Minimum On-Time<br>0 = Enable deglitch delay on comparator for better efficiency<br>1 = Disable deglitch delay on comparator to minimize voltage ripple  |   |   |         |         |            |           |           |
| <b>BuckInteg</b>     | Buck Integrate<br>0 = Helps stabilize the buck regulator for high currents with small output capacitor<br>1 = Better load regulation at high current (recommended for output capacitance > 6 $\mu$ F) |   |   |         |         |            |           |           |

**Table 11. LDOVSet Register (0x0A)**

| ADDRESS:            | 0x0A   |   |   |   |   |   |   |   |
|---------------------|--|---|---|---|---|---|---|---|
| BIT                 | 7  | 6 | 5 | 4 | 3 | 2 | 1 | 0 |
| NAME                | LDOVSet[4:0]   |   |   |   |   |   |   |   |
| <b>LDOVSet[4:0]</b> | LDO Output Voltage Setting<br>0.9V to 4V, linear scale, 100mV increments<br>00000 = 0.9V<br>00001 = 1.0V<br>...<br>10000 = 2.5V<br>...<br>11111 = 4.0V |   |   |   |   |   |   |   |

Table 12. LDOCfg Register (0x0B)

| ADDRESS:           | 0x0B   |   |   |           |           |            |   |         |
|--------------------|--|---|---|-----------|-----------|------------|---|---------|
| BIT                | 7  | 6 | 5 | 4         | 3         | 2          | 1 | 0       |
| NAME               | LDOSeq[2:0] (Read-Only)  |   |   | LDOPasDsc | LDOActDsc | LDOEn[1:0] |   | LDOMode |
| <b>LDOSeq[2:0]</b> | LDO Enable Configuration (Read-Only)<br>000 = Disabled<br>001 = Enabled always when BAT/SYS is present<br>010 = Enabled at 0% of Boot/POR Process Delay Control<br>011 = Enabled at 25% of Boot/POR Process Delay Control<br>100 = Enabled at 50% of Boot/POR Process Delay Control<br>101 = Disabled<br>110 = Controlled by LEN (MAX14750)<br>111 = Controlled by LDOEn[1:0] after 100% of Boot/POR Process Delay Control |   |   |           |           |            |   |         |
| <b>LDOPasDsc</b>   | LDO Passive Discharge Control<br>0: LDO output will be discharged only entering off and hard-reset modes.<br>1: LDO output will be discharged only entering off and hard-reset modes and when the enable is low.   |   |   |           |           |            |   |         |
| <b>LDOActDsc</b>   | LDO Active Discharge Control<br>0: LDO output will be actively discharged only entering off and hard-reset modes.<br>1: LDO output will be actively discharged only entering off and hard-reset modes and when the enable is low.  |   |   |           |           |            |   |         |
| <b>LDOEn[1:0]</b>  | LDO Enable Configuration (effective only when LDOSeq[2:0] == 111)<br>00 = Disabled<br>01 = Enabled<br>10 = Enabled when MPC is high<br>11 = Reserved   |   |   |           |           |            |   |         |
| <b>LDOMode</b>     | LDO Mode Control<br>0 = Normal LDO operating mode<br>1 = Load switch mode. FET is either fully on or off depending on the state of LDOEn. When FET is on, the output is unregulated and is not affected by UVLO's control block. This setting is internally latched and can change only when the LDO is disabled.  |   |   |           |           |            |   |         |

Table 13. SwitchCfg Register (0x0C)

| ADDRESS:           | 0x0C  |   |   |   |   |           |   |             |  |
|--------------------|---|---|---|---|---|-----------|---|-------------|--|
| BIT                | 7   | 6 | 5 | 4 | 3 | 2         | 1 | 0           |  |
| NAME               | SWSeq[2:0] (Read-Only)  |   |   | — | — | SWEn[1:0] |   | SWSoftStart |  |
| <b>SWSeq[2:0]</b>  | SW Enable Configuration (Read-Only)<br>000 = Disabled<br>001 = Enabled always when BAT/SYS is present<br>010 = Enabled at 0% of Boot/POR Process Delay Control<br>011 = Enabled at 25% of Boot/POR Process Delay Control<br>100 = Enabled at 50% of Boot/POR Process Delay Control<br>101 = Disabled<br>110 = Controlled by SWEN (MAX14750)<br>111 = Controlled by SWEn[1:0] after 100% of Boot/POR Process Delay Control |   |   |   |   |           |   |             |  |
| <b>SWEn</b>        | SW Enable Configuration (effective only when SWSeq[2:0] == 111)<br>00 = Disabled<br>01 = Enabled<br>10 = Enabled when MPC is high<br>11 = Reserved  |   |   |   |   |           |   |             |  |
| <b>SWSoftStart</b> | SW SoftStart<br>0 = No soft-start is present when the switch is enabled.<br>1 = Current limit of 25mA (typ) is ensured for 60ms when the switch is enabled.   |   |   |   |   |           |   |             |  |

Table 14. BatTime Register (0x0D)

| ADDRESS:          | 0x0D  |   |            |   |            |   |            |   |
|-------------------|---|---|------------|---|------------|---|------------|---|
| BIT               | 7   | 6 | 5          | 4 | 3          | 2 | 1          | 0 |
| NAME              | —   | — | BCVTm[1:0] |   | OCVTm[1:0] |   | LCVTm[1:0] |   |
| <b>BCVTm[1:0]</b> | Battery Cell Voltage Timing<br>00: Skip battery measurement<br>01: Take battery measurement after 10ms delay<br>10: Take battery measurement after 100ms delay<br>11: Take battery measurement after 1000ms delay   |   |            |   |            |   |            |   |
| <b>OCVTm[1:0]</b> | Battery Open Cell Voltage Timing<br>If this step is skipped, LCV measurement will be taken with switch closed<br>00: Skip OCV measurement<br>01: Take OCV measurement after 10ms delay<br>10: Take OCV measurement after 100ms delay<br>11: Take OCV measurement after 1000ms delay |   |            |   |            |   |            |   |
| <b>LCVTm[1:0]</b> | Battery Loaded Cell Voltage Timing<br>00: Skip LCV measurement<br>01: Take LCV measurement after 10ms delay<br>10: Take LCV measurement after 100ms delay<br>11: Take LCV measurement after 1000ms delay  |   |            |   |            |   |            |   |



Table 15. BatCfg Register (0x0E)

| ADDRESS:               | 0x0E   |          |   |   |             |                |   |   |
|------------------------|--|----------|---|---|-------------|----------------|---|---|
| BIT                    | 7  | 6        | 5 | 4 | 3           | 2              | 1 | 0 |
| NAME                   | BIA  | BIMAbort | — | — | LcvDly2Skip | BatImpCur[2:0] |   |   |
| <b>BIA</b>             | Battery Impedance Active<br>Write 1 to start battery impedance measurement. If the measurement is already running, the write is ignored.<br>Bit will remain high until the measurement is completed.<br>0: Battery impedance measurement is not ongoing<br>1: Battery impedance measurement is ongoing |          |   |   |             |                |   |   |
| <b>BIMAbort</b>        | Battery Impedance Measurement Skip<br>Write 1 to immediately abort the battery impedance measurement<br>0: Battery impedance measurement is aborted<br>1: Battery impedance measurement is not aborted yet   |          |   |   |             |                |   |   |
| <b>LcvDly2Skip</b>     | Write 1 to skip the second delay time (equal again to LCVTm) after LCV Measurement is taken. This second delay time allows V <sub>CC</sub> to recover its unloaded value before closing the power switch again.<br>0: Wait second delay time<br>1: Skip second delay time                              |          |   |   |             |                |   |   |
| <b>BatImpCur [2:0]</b> | Battery Impedance Current<br>000: 0<br>001: 250μA<br>010: 500μA<br>011: 1mA<br>100: 2mA<br>101: 4mA<br>110: 8mA<br>111: Reserved   |          |   |   |             |                |   |   |

Table 16. BatV Register (0x0F)

| ADDRESS:        | 0x0F (Read-Only)  |   |   |   |   |   |   |   |
|-----------------|---|---|---|---|---|---|---|---|
| BIT             | 7   | 6 | 5 | 4 | 3 | 2 | 1 | 0 |
| NAME            | BCV[7:0]  |   |   |   |   |   |   |   |
| <b>BCV[7:0]</b> | Battery Voltage Measurement Result<br>8-bit battery voltage measurement: $V_{CC} = [ 2.6 * (BCV[7:0]/255) + 1.1 ] V$<br>If BCVTm[2:0] = 00, BCV[7:0] = 0000 0000.<br>If error occurs or the measurement is aborted, BCV[7:0] = 1111 1111. |   |   |   |   |   |   |   |

Table 17. BatOCV Register (0x10)

| ADDRESS:        | 0x10 (Read-Only)  |   |   |   |   |   |   |   |
|-----------------|---|---|---|---|---|---|---|---|
| BIT             | 7   | 6 | 5 | 4 | 3 | 2 | 1 | 0 |
| NAME            | OCV[7:0]  |   |   |   |   |   |   |   |
| <b>OCV[7:0]</b> | Battery Voltage Measurement Result<br>8-bit battery voltage measurement: $V_{CC} = [2.6 \times (\text{OCV}[7:0]/255) + 1.1] \text{ V}$<br>If $\text{OCVTm}[2:0] = 00$ , $\text{OCV}[7:0] = 0000\ 0000$ .<br>If error occurs or the measurement is aborted, $\text{OCV}[7:0] = 1111\ 1111$ . |   |   |   |   |   |   |   |

Table 18. BatLCV Register (0x11)

| ADDRESS:        | 0x11 (Read-Only)  |   |   |   |   |   |   |   |
|-----------------|---|---|---|---|---|---|---|---|
| BIT             | 7   | 6 | 5 | 4 | 3 | 2 | 1 | 0 |
| NAME            | LCV[7:0]  |   |   |   |   |   |   |   |
| <b>LCV[7:0]</b> | Battery Voltage Measurement Result<br>8 bit battery voltage measurement: $V_{CC} = [2.6 \times (\text{LCV}[7:0]/255) + 1.1] \text{ V}$<br>If $\text{LCVTm}[2:0] = 00$ , $\text{LCV}[7:0] = 0000\ 0000$ .<br>If error occurs or the measurement is aborted, $\text{LCV}[7:0] = 1111\ 1111$ . |   |   |   |   |   |   |   |

Table 19. MONCfg Register (0x19)

| ADDRESS:           | 0x19   |   |   |   |         |             |   |   |
|--------------------|--|---|---|---|---------|-------------|---|---|
| BIT                | 7  | 6 | 5 | 4 | 3       | 2           | 1 | 0 |
| NAME               | MonEn  | — | — | — | MONtHiZ | MONCtr[2:0] |   |   |
| <b>MonEn</b>       | Monitor Enable<br>0 = Monitor function disabled<br>1 = Monitor function enabled  |   |   |   |         |             |   |   |
| <b>MONtHiZ</b>     | MON OFF MODE Condition<br>0 = Pulled Low by a 100k Pulldown Resistor<br>1 = Hi-Z   |   |   |   |         |             |   |   |
| <b>MONCtr[2:0]</b> | MON Pin Source Selection<br>000 = MON connected to SWIN<br>001 = MON connected to SWOUT<br>010 = MON connected to BIN<br>011 = MON connected to BOUT<br>100 = MON connected to HVIN<br>101 = MON connected to HVOUT<br>110 = MON connected to LIN<br>111 = MON connected to LOUT |   |   |   |         |             |   |   |

Table 20. BootCfg Register (0x1A)

| ADDRESS:        | 0x1A (Read-Only)   |   |   |   |           |           |              |   |
|-----------------|--|---|---|---|-----------|-----------|--------------|---|
| BIT             | 7  | 6 | 5 | 4 | 3         | 2         | 1            | 0 |
| NAME            | PwrRstCfg[4:0]   |   |   |   | SftRstCfg | PFNPUDCfg | BootDly[1:0] |   |
| PwrRstCfg [4:0] | 0000: Pin Controlled (MAX14750)<br>0110: Push-Button Monitor (MAX14720)  |   |   |   |           |           |              |   |
| SftRstCfg       | Soft Reset Register Default<br>0 = Registers do not reset to default values on soft reset<br>1 = Registers reset to default values on soft reset   |   |   |   |           |           |              |   |
| PFNPUDCfg       | $\overline{\text{KIN}}$ Pullup/Pulldown Configuration<br>0 = Pullups and pulldowns on control lines disabled<br>1 = Selective pullups and pulldowns enabled on $\overline{\text{KIN}}$ pin |   |   |   |           |           |              |   |
| BootDly[1:0]    | Boot/POR Process $t_{\text{RESET}}$ Delay Control<br>00 = 80ms<br>01 = 120ms<br>10 = 220ms<br>11 = 420ms   |   |   |   |           |           |              |   |

Table 21. PinStat Register (0x1B)

| ADDRESS:  | 0x1B (Read-Only)                           |   |   |   |                         |                          |     |                         |
|---|--|---|---|---|-------------------------|--------------------------|-----|-------------------------|
| BIT   | 7  | 6 | 5 | 4 | 3                       | 2                        | 1   | 0                       |
| NAME (MAX14720)   | —  | — | — | — | $\overline{\text{KIN}}$ | $\overline{\text{KOUT}}$ | MPC | $\overline{\text{RST}}$ |
| NAME (MAX14750)   | —  | — | — | — | SWEN                    | HVEN                     | BEN | LEN                     |
| $\overline{\text{KIN}}$ , $\overline{\text{KOUT}}$ ,<br>MPC, $\overline{\text{RST}}$ ,<br>SWEN, HVEN,<br>BEN, LEN | Input State<br>0 = Pin low<br>1 = Pin high |   |   |   |                         |                          |     |                         |

Table 22. BBBExtra Register (0x1C)

| ADDRESS:           | 0x1C   |             |             |   |   |            |            |          |
|--------------------|--|-------------|-------------|---|---|------------|------------|----------|
| BIT                | 7  | 6           | 5           | 4 | 3 | 2          | 1          | 0        |
| NAME               | BoostHysOff  | BoostPasDsc | BoostActDsc | - | 0 | BuckPasDsc | BuckActDsc | BuckFScl |
| <b>BoostHysOff</b> | Boost Hysteresis Off<br>0 = Enable comparator hysteresis<br>1 = Disable comparator hysteresis (recommended to reduce voltage ripple)   |             |             |   |   |            |            |          |
| <b>BoostPasDsc</b> | Boost Passive Discharge Control<br>0: Boost output will be discharged only when entering off and hard-reset modes.<br>1: Boost output will be discharged only when entering off and hard-reset modes and when BoostEn is set to 00.                            |             |             |   |   |            |            |          |
| <b>BoostActDsc</b> | Boost Active Discharge Control<br>0: Boost output will be discharged only when entering off and hard-reset modes.<br>1: Boost output will be discharged only when entering off and hard-reset modes and when BoostEn is set to 00.                             |             |             |   |   |            |            |          |
| <b>BuckPasDsc</b>  | Buck Passive Discharge Control<br>0: Buck output will be discharged only when entering off and hard-reset modes.<br>1: Buck output will be discharged only when entering off and hard-reset modes and when BuckEn is set to 00.                                |             |             |   |   |            |            |          |
| <b>BuckActDsc</b>  | Buck Active Discharge Control<br>0: Buck output will be discharged only when entering off and hard-reset modes.<br>1: Buck output will be discharged only when entering off and hard-reset modes and when BuckEn is set to 00.                                 |             |             |   |   |            |            |          |
| <b>BuckFScl</b>    | Buck Force FET scaling (it reduces $I_Q$ by lowering the nMOS power to 20% of the nominal value)<br>0: FET Scaling only enabled during the buck turn-on sequence<br>1: FET Scaling enabled during the buck turn-on sequence and also in the buck active state. |             |             |   |   |            |            |          |

Table 23. HandShk Register (0x1D)

| ADDRESS:         | 0x1D (Read-Only)  |           |   |   |   |   |   |        |
|------------------|---|-----------|---|---|---|---|---|--------|
| BIT              | 7   | 6         | 5 | 4 | 3 | 2 | 1 | 0      |
| NAME             | StartOff  | GlbPasDsc | — | — | — | — | — | StayOn |
| <b>StartOff</b>  | Start In Off<br>1: The device will start in the off mode.<br>0: The device begins the power-on sequence after a $V_{CC}$ power on reset.  |           |   |   |   |   |   |        |
| <b>GlbPasDsc</b> | Global Passive Discharge<br>0: Passive discharge loads are disabled in off mode.<br>1: Passive discharge loads are enabled in off mode.   |           |   |   |   |   |   |        |
| <b>StayOn</b>    | Processor Handshake<br>This bit is used to ensure that the processor booted correctly. This bit must be set within 5s of power-on to prevent the part from shutting down and returning to the power-off condition. This bit has no effect after being set.<br>0 = Shutdown 5s after power-on<br>1 = Stay on |           |   |   |   |   |   |        |

Table 24. UVLOCfg Register (0x1E)

| ADDRESS:   | 0x1E  |   |   |   |   |   |                           |            |
|------------|---|---|---|---|---|---|---------------------------|------------|
| BIT        | 7   | 6 | 5 | 4 | 3 | 2 | 1                         | 0          |
| NAME       | —   | — | — | — | — | — | BBBUVLOsel<br>(Read Only) | LDOUVLOsel |
| BBBUVLOsel | Buck/Buck-Boost UVLO Select<br>0: Buck and buck-boost are turned off/on when $V_{LIN}$ is less/greater than the LIN UVLO threshold, respectively.<br>1: Buck and buck-boost are turned off/on when $V_{BIN}$ is less/greater than the BIN UVLO threshold, respectively. |   |   |   |   |   |                           |            |
| LDOUVLOsel | LDO UVLO Select<br>0: LDO is turned off/on when $V_{LIN}$ is less/greater than the LIN UVLO threshold, respectively.<br>1: LDO is turned off/on when $V_{BIN}$ is less/greater than the BIN UVLO threshold, respectively.   |   |   |   |   |   |                           |            |

Table 25. PWRCFG Register (0x1F)

| ADDRESS:           | 0x1F  |   |   |   |   |   |   |   |
|--------------------|---|---|---|---|---|---|---|---|
| BIT                | 7   | 6 | 5 | 4 | 3 | 2 | 1 | 0 |
| NAME               | PWROFFCMD[7:0]  |   |   |   |   |   |   |   |
| PWROFFCMD<br>[7:0] | Power-Off Command<br>Writing 0xB2 to this register will place the part in the off state/seal mode. Waking up the device from this mode requires a low pulse on $\overline{KIN}$ .<br>All other codes = Do nothing |   |   |   |   |   |   |   |

### I<sup>2</sup>C Interface

The MAX14720/MAX14750 contain an I<sup>2</sup>C-compatible interface for data communication with a host controller (SCL and SDA). The interface supports a clock frequency of up to 400kHz. SCL and SDA require pullup resistors that are connected to a positive supply.

#### Start, Stop, And Repeated Start Conditions

When writing to the MAX14720/MAX14750 using I<sup>2</sup>C, the master sends a START condition (S) followed by the MAX14720/MAX14750 I<sup>2</sup>C address. After the address, the master sends the register address of the register that is to be programmed. The master then ends communication by issuing a STOP condition (P) to relinquish control of the bus, or a REPEATED START condition (Sr) to communicate to another I<sup>2</sup>C slave. See [Figure 5](#).

**Table 26. I<sup>2</sup>C Slave Addresses**

| ADDRESS FORMAT | HEX  | BINARY    |
|----------------|------|-----------|
| 7-Bit Slave ID | 0x2A | 0101010   |
| Write Address  | 0x54 | 0101 0100 |
| Read Address   | 0x55 | 01010101  |

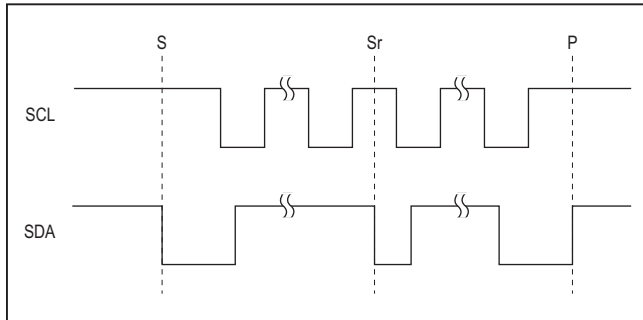


Figure 5. I<sup>2</sup>C START, STOP, and REPEATED START Conditions

### Slave Address

Set the Read/Write bit high to configure the devices to read mode ([Table 26](#)). Set the Read/Write bit low to configure the MAX14720/MAX14750 to write mode. The address is the first byte of information sent to the MAX14720/MAX14750 after the START condition.

### Bit Transfer

One data bit is transferred on the rising edge of each SCL clock cycle. The data on SDA must remain stable during the high period of the SCL clock pulse. Changes in SDA while SCL is high and stable are considered control signals (see the [Start, Stop, And Repeated Start Conditions](#) section). Both SDA and SCL remain high when the bus is not active.

### Single-Byte Write

In this operation, the master sends an address and two data bytes to the slave device ([Figure 6](#)). The following procedure describes the single byte write operation:

- 1) The master sends a START condition
- 2) The master sends the 7-bit slave address plus a write bit (low)
- 3) The addressed slave asserts an ACK on the data line
- 4) The master sends the 8-bit register address
- 5) The slave asserts an ACK on the data line only if the address is valid (NAK if not)
- 6) The master sends 8 data bits
- 7) The slave asserts an ACK on the data line
- 8) The master generates a STOP condition

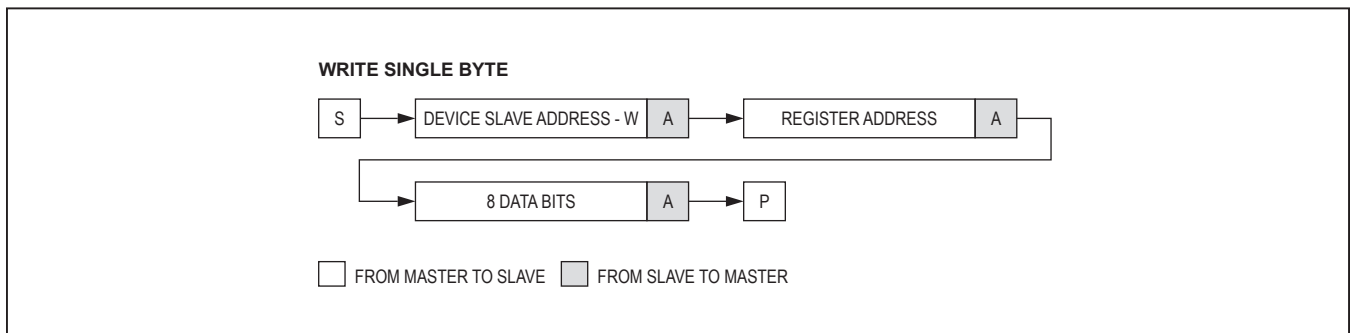


Figure 6. Write Byte Sequence

**Burst Write**

In this operation, the master sends an address and multiple data bytes to the slave device (Figure 7). The slave device automatically increments the register address after each data byte is sent, unless the register being accessed is 0x00, in which case the register address remains the same. The following procedure describes the burst write operation:

- 1) The master sends a START condition
- 2) The master sends the 7-bit slave address plus a write bit (low)
- 3) The addressed slave asserts an ACK on the data line
- 4) The master sends the 8-bit register address
- 5) The slave asserts an ACK on the data line only if the address is valid (NAK if not)
- 6) The master sends eight data bits
- 7) The slave asserts an ACK on the data line
- 8) Repeat 6 and 7 N-1 times
- 9) The master generates a STOP condition

**Single Byte Read**

In this operation, the master sends an address plus two data bytes and receives one data byte from the slave device (I2C Register Descriptions). The following procedure describes the single byte read operation:

- 1) The master sends a START condition.
- 2) The master sends the 7-bit slave address plus a write bit (low).
- 3) The addressed slave asserts an ACK on the data line.
- 4) The master sends the 8-bit register address.
- 5) The slave asserts an ACK on the data line only if the address is valid (NAK if not).
- 6) The master sends a REPEATED START condition.
- 7) The master sends the 7-bit slave address plus a read bit (high).
- 8) The addressed slave asserts an ACK on the data line.
- 9) The slave sends eight data bits.
- 10) The master asserts a NACK on the data line.
- 11) The master generates a STOP condition.

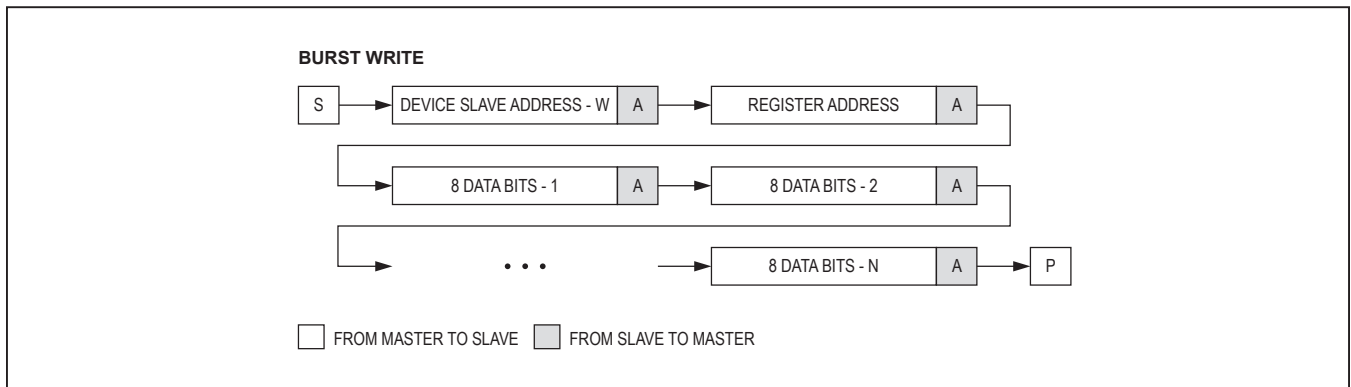


Figure 7. Burst Write Sequence

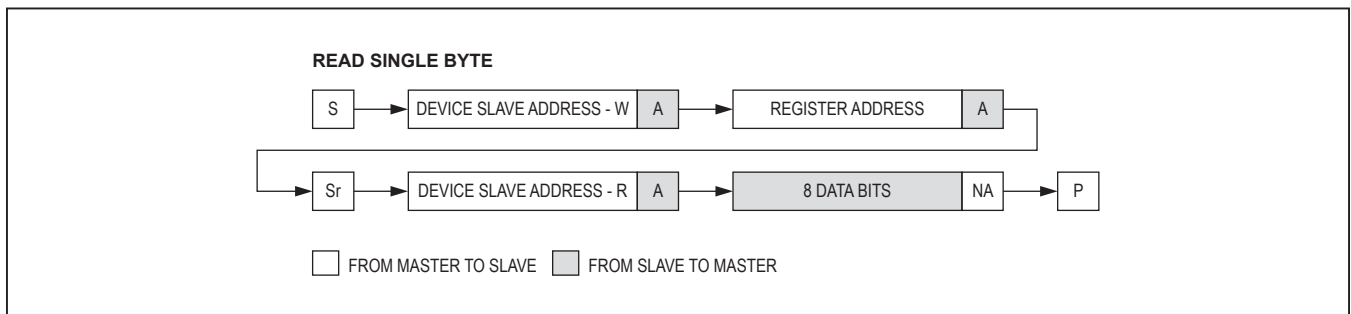


Figure 8. Read Byte Sequence

**Burst Read**

In this operation, the master sends an address plus two data bytes and receives multiple data bytes from the slave device (Figure 9). The following procedure describes the burst byte read operation:

- 1) The master sends a START condition
- 2) The master sends the 7-bit slave address plus a write bit (low)
- 3) The addressed slave asserts an ACK on the data line
- 4) The master sends the 8-bit register address
- 5) The slave asserts an ACK on the data line only if the address is valid (NAK if not)
- 6) The master sends a REPEATED START condition
- 7) The master sends the 7-bit slave address plus a read bit (high)
- 8) The slave asserts an ACK on the data line
- 9) The slave sends eight data bits

- 10) The master asserts an ACK on the data line
- 11) Repeat 9 and 10 N-2 times
- 12) The slave sends the last eight data bits
- 13) The master asserts a NACK on the data line
- 14) The master generates a STOP condition

**Acknowledge Bits**

Data transfers are acknowledged with an acknowledge bit (ACK) or a not-acknowledge bit (NACK). Both the master and the MAX14720/MAX14750 generate ACK bits. To generate an ACK, pull SDA low before the rising edge of the ninth clock pulse and hold it low during the high period of the ninth clock pulse (Figure 10). To generate a NACK, leave SDA high before the rising edge of the ninth clock pulse and leave it high for the duration of the ninth clock pulse. Monitoring for NACK bits allows for detection of unsuccessful data transfers.

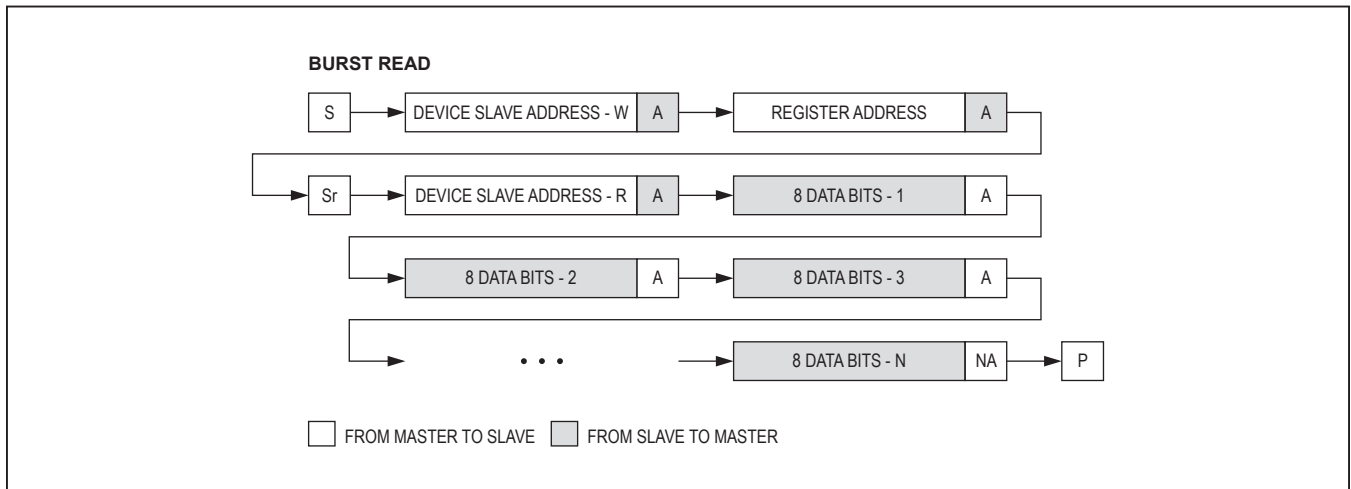


Figure 9. Burst Read Sequence

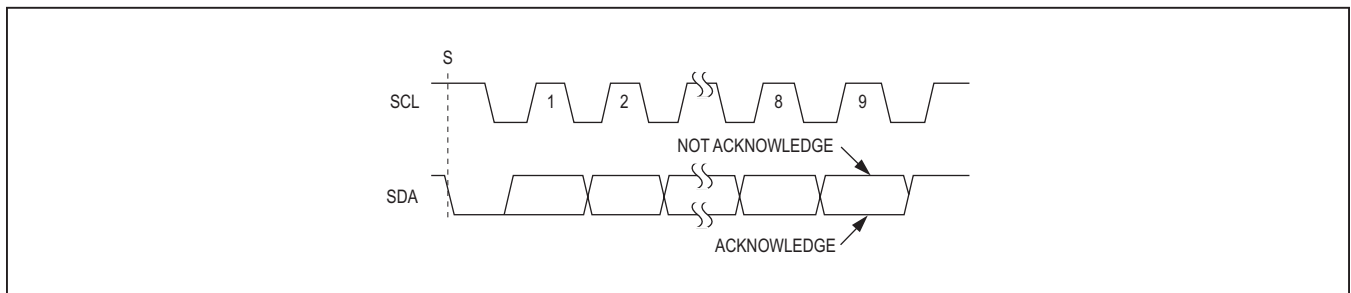


Figure 10. Acknowledge



Table 27. Register Bit Default Values

| REGISTER BITS  | MAX14750A          | MAX14750B          | MAX14750C           | MAX14720A               | MAX14720B               | MAX14720C               | MAX14720D               | MAX14720E               | MAX14720F               |
|----------------|--------------------|--------------------|---------------------|-------------------------|-------------------------|-------------------------|-------------------------|-------------------------|-------------------------|
| BoostISet[2:0] | 100mA              | 100mA              | 100mA               | 100mA                   | 100mA                   | 150mA                   | 100mA                   | 100mA                   | 350mA                   |
| BoostVSet[4:0] | 3.3V               | 3.3V               | 3.3V                | 3.3V                    | 3.3V                    | 3.5V                    | 3.3V                    | 4.5V                    | 3.2V                    |
| BBBUVLOSel     | BIN                | BIN                | BIN                 | BIN                     | BIN                     | BIN                     | BIN                     | BIN                     | BIN                     |
| LDOUVLOSel     | LIN                | LIN                | BIN                 | BIN                     | BIN                     | LIN                     | LIN                     | BIN                     | LIN                     |
| BuckVSet[5:0]  | 1.2V               | 1.8V               | 1.25V               | 1.2V                    | 1.8V                    | 1.2V                    | 1.8V                    | 1.8V                    | 1.8V                    |
| BuckISet[2:0]  | 300mA              | 300mA              | 150mA               | 300mA                   | 300mA                   | 50mA                    | 150mA                   | 50mA                    | 300mA                   |
| BuckCfg        | Burst              | Burst              | Burst               | Burst                   | Burst                   | Burst                   | Burst                   | Burst                   | Burst                   |
| BuckInd        | 2.2μH              | 2.2μH              | 2.2μH               | 2.2μH                   | 2.2μH                   | 2.2μH                   | 2.2μH                   | 2.2μH                   | 2.2μH                   |
| BuckHysOff     | Lower Ripple       | Lower Ripple       | Lower Ripple        | Lower Ripple            | Lower Ripple            | Lower Ripple            | Lower Ripple            | Lower Ripple            | Lower Ripple            |
| BuckMinOT      | Lower Ripple       | Lower Ripple       | Lower Ripple        | Lower Ripple            | Lower Ripple            | Lower Ripple            | Lower Ripple            | Lower Ripple            | Lower Ripple            |
| BuckInteg      | Higher DC Accuracy | Higher DC Accuracy | Higher DC Accuracy  | Higher DC Accuracy      | Higher DC Accuracy      | Higher DC Accuracy      | Higher DC Accuracy      | Higher DC accuracy      | Higher DC accuracy      |
| I2CAdd         | 0101010            | 0101010            | 0101010             | 0101010                 | 0101011                 | 0101010                 | 0101011                 | 0101011                 | 0101011                 |
| StayOn         | Stay On            | Stay On            | Stay On             | Stay On                 | Stay On                 | Off after 5s            | Stay On                 | Stay On                 | Stay On                 |
| LDOVSet[4:0]   | 1.8V               | 1.2V               | 1.8V                | 1.8V                    | 1.8V                    | 1.8V                    | 1.8V                    | 1.8V                    | 1.8V                    |
| BoostSeq[2:0]  | HVEN               | HVEN               | HVEN                | BoostEn[1:0]            | BoostEn[1:0]            | BoostEn[1:0]            | BoostEn[1:0]            | BoostEn[1:0]            | 0%                      |
| BoostInd       | 4.7μH              | 4.7μH              | 4.7μH               | 4.7μH                   | 4.7μH                   | 4.7μH                   | 4.7μH                   | 4.7μH                   | 4.7μH                   |
| BuckSeq[2:0]   | BEN                | BEN                | BEN                 | 50%                     | 50%                     | 25%                     | 50%                     | 50%                     | BuckEn[1:0]             |
| BuckFst        | Zero               | Zero               | Zero                | Zero                    | Zero                    | Zero                    | Zero                    | Zero                    | Zero                    |
| LDOSeq[2:0]    | LEN                | LEN                | LEN                 | 50%                     | LDOEn[1:0]              | 50%                     | Always                  | LDOEn[1:0]              | LDOEn[1:0]              |
| LDOMode        | LDO                | LDO                | LDO                 | LDO                     | Load Switch             | LDO                     | LDO                     | Switch                  | Switch                  |
| SWSeq[2:0]     | SWEN               | SWEN               | SWEN                | 0%                      | 0%                      | 0%                      | 0%                      | Always                  | SWEn[1:0]               |
| SWSftStart     | None               | None               | 20mA (typ) for 60ms | 25mA (typ) for 60ms     | 25mA (typ) for 60ms     | 20mA (typ) for 60ms     | 20mA (typ) for 60ms     | 20mA (typ) for 60ms     | 20mA (typ) for 60ms     |
| BCVTm[1:0]     | Skip               | Skip               | Skip                | Skip                    | Skip                    | Skip                    | Skip                    | 10ms                    | Skip                    |
| OCVTm[1:0]     | Skip               | Skip               | Skip                | Skip                    | Skip                    | Skip                    | Skip                    | 10ms                    | Skip                    |
| LCVTm[1:0]     | Skip               | Skip               | Skip                | Skip                    | Skip                    | Skip                    | Skip                    | 10ms                    | Skip                    |
| LDOPasDSC      | Off                | Off                | Off                 | Off                     | Off                     | Off                     | Off                     | Off                     | Off                     |
| LDOActDSC      | Off                | Off                | Off                 | Off                     | Off                     | Off                     | Off                     | Active                  | Off                     |
| BatImpCur      | 0mA                | 0mA                | 0mA                 | 0mA                     | 0mA                     | 0mA                     | 0mA                     | 8mA                     | 0mA                     |
| PwrRstCfg[3:0] | Pin Enable         | Pin Enable         | Pin Enable          | $\overline{\text{KIN}}$ | $\overline{\text{KIN}}$ | $\overline{\text{KIN}}$ | $\overline{\text{KIN}}$ | $\overline{\text{KIN}}$ | $\overline{\text{KIN}}$ |
| SftRstCfg      | Hold Regs          | Hold Regs          | Reset Regs          | Hold Regs               | Hold Regs               | Hold Regs               | Hold Regs               | Hold Regs               | Hold Regs               |
| PFNPUDCfg      | Disabled           | Disabled           | Disabled            | Enabled                 | Enabled                 | Enabled                 | Enabled                 | Enabled                 | Enabled                 |
| BootDly[1:0]   | 80ms               | 80ms               | 80ms                | 120ms                   | 120ms                   | 220ms                   | 120ms                   | 120ms                   | 120ms                   |
| StartOff       | Power On           | Power On           | Remain Off          | Remain Off              | Remain Off              | Power On                | Remain Off              | Power On                | Remain Off              |
| GlbPasDsc      | Disabled           | Disabled           | Disabled            | Disabled                | Disabled                | Enabled                 | Disabled                | Disabled                | Disabled                |
| BoostHysOff    | More Efficient     | More efficient     | More efficient      | More Efficient          | More Efficient          | More efficient          | More efficient          | More efficient          | More efficient          |

Table 27. Register Bit Default Values (continued)

| REGISTER BITS  | MAX14750A | MAX14750B | MAX14750C | MAX14720A | MAX14720B | MAX14720C | MAX14720D | MAX14720E | MAX14720E |
|----------------|-----------|-----------|-----------|-----------|-----------|-----------|-----------|-----------|-----------|
| BoostPasDsc    | Off       | Off       | Off       | Off       | Off       | Off       | Off       | Off       | Off       |
| BoostActDsc    | Off       | Off       | Off       | Off       | Off       | Off       | Off       | Active    | Off       |
| BuckPasDsc     | Off       | Off       | Off       | Off       | Off       | Off       | Off       | Off       | Off       |
| BuckActDsc     | Off       | Off       | Off       | Off       | Off       | Off       | Off       | Active    | Off       |
| BuckFScI       | Zero      | Zero      | Zero      | Zero      | Zero      | Zero      | Zero      | One       | One       |
| ClkDivEna      | Disabled  | Disabled  | Disabled  | Disabled  | Disabled  | Disabled  | Disabled  | Disabled  | Disabled  |
| ClkDivSet[6:0] | 0         | 0         | 0         | 0         | 0         | 0         | 0         | 0         | 0         |
| BatZUVLO       | Disabled  | Disabled  | Disabled  | Disabled  | Disabled  | Disabled  | Disabled  | Enabled   | Disabled  |

Table 28. Register Default Values

| REGISTER ADDRESS | REGISTER NAME | DEFAULT VALUES |           |           |           |           |           |           |           |           |
|------------------|---------------|----------------|-----------|-----------|-----------|-----------|-----------|-----------|-----------|-----------|
|                  |               | MAX14750A      | MAX14750B | MAX14750C | MAX14720A | MAX14720B | MAX14720C | MAX14720D | MAX14720E | MAX14720F |
| 0x00             | ChipId        | 0x01           | 0x01      | 0x01      | 0x01      | 0x01      | 0x01      | 0x01      | 0x01      | 0x01      |
| 0x01             | ChipRev       | 0x01           | 0x01      | 0x01      | 0x01      | 0x01      | 0x01      | 0x01      | 0x02      | 0x01      |
| 0x02             | Reserved      | 0x00           | 0x00      | 0x00      | 0x00      | 0x00      | 0x00      | 0x00      | 0x00      | 0x00      |
| 0x03             | BoostCDiv     | 0x00           | 0x00      | 0x00      | 0x00      | 0x00      | 0x00      | 0x00      | 0x00      | 0x00      |
| 0x04             | BoostISet     | 0x02           | 0x02      | 0x02      | 0x02      | 0x02      | 0x03      | 0x02      | 0x02      | 0x07      |
| 0x05             | BoostVSet     | 0x08           | 0x08      | 0x08      | 0x08      | 0x08      | 0x0A      | 0x08      | 0x14      | 0x07      |
| 0x06             | BoostCfg      | 0xC0           | 0xC0      | 0xC0      | 0xE0      | 0xE0      | 0xE0      | 0xE0      | 0xE0      | 0x40      |
| 0x07             | BuckVSet      | 0x08           | 0x20      | 0x0A      | 0x08      | 0x20      | 0x08      | 0x20      | 0x20      | 0x20      |
| 0x08             | BuckCfg       | 0xC0           | 0xC0      | 0xC0      | 0x80      | 0x80      | 0x60      | 0x80      | 0x80      | 0xE0      |
| 0x09             | BuckISet      | 0xA7           | 0xA7      | 0x47      | 0xA7      | 0xA7      | 0x07      | 0x47      | 0x07      | 0xA7      |
| 0x0A             | LDOVSet       | 0x09           | 0x03      | 0x09      | 0x09      | 0x09      | 0x09      | 0x09      | 0x09      | 0x09      |
| 0x0B             | LDOCfg        | 0xC0           | 0xC0      | 0xC0      | 0x80      | 0xE1      | 0x80      | 0x20      | 0xE9      | 0xE1      |
| 0x0C             | SwitchCfg     | 0xC0           | 0xC0      | 0xC1      | 0x41      | 0x41      | 0x41      | 0x41      | 0x21      | 0xE1      |
| 0x0D             | BatTime       | 0x00           | 0x00      | 0x00      | 0x00      | 0x00      | 0x00      | 0x00      | 0x19      | 0x00      |
| 0x0E             | BatCfg        | 0x00           | 0x00      | 0x00      | 0x00      | 0x00      | 0x00      | 0x00      | 0x06      | 0x00      |
| 0x0F             | BatBCV        | 0x00           | 0x00      | 0x00      | 0x00      | 0x00      | 0x00      | 0x00      | 0x00      | 0x00      |
| 0x10             | BatOCV        | 0x00           | 0x00      | 0x00      | 0x00      | 0x00      | 0x00      | 0x00      | 0x00      | 0x00      |
| 0x11             | BatLCV        | 0x00           | 0x00      | 0x00      | 0x00      | 0x00      | 0x00      | 0x00      | 0x00      | 0x00      |
| 0x12             | Reserved      | 0x00           | 0x00      | 0x00      | 0x00      | 0x00      | 0x00      | 0x00      | 0x00      | 0x00      |
| 0x13             | Reserved      | 0x00           | 0x00      | 0x00      | 0x00      | 0x00      | 0x00      | 0x00      | 0x00      | 0x00      |
| 0x14             | Reserved      | 0x00           | 0x00      | 0x00      | 0x00      | 0x00      | 0x00      | 0x00      | 0x00      | 0x00      |
| 0x15             | Reserved      | 0x00           | 0x00      | 0x00      | 0x00      | 0x00      | 0x00      | 0x00      | 0x00      | 0x00      |
| 0x16             | Reserved      | 0x00           | 0x00      | 0x00      | 0x00      | 0x00      | 0x00      | 0x00      | 0x00      | 0x00      |
| 0x17             | Reserved      | 0x00           | 0x00      | 0x00      | 0x00      | 0x00      | 0x00      | 0x00      | 0x00      | 0x00      |
| 0x18             | Reserved      | 0x34           | 0x34      | 0x34      | 0x34      | 0x34      | 0x34      | 0x34      | 0x34      | 0x34      |

Table 28. Register Default Values (continued)

| REGISTER ADDRESS | REGISTER NAME | DEFAULT VALUES |           |           |           |           |           |           |           |           |
|------------------|---------------|----------------|-----------|-----------|-----------|-----------|-----------|-----------|-----------|-----------|
|                  |               | MAX14750A      | MAX14750B | MAX14750C | MAX14720A | MAX14720B | MAX14720C | MAX14720D | MAX14720E | MAX14720F |
| 0x1A             | BootCfg       | 0x00           | 0x00      | 0x08      | 0x65      | 0x65      | 0x66      | 0x65      | 0x65      | 0x65      |
| 0x1B             | PinStat       | 0x00           | 0x00      | 0x00      | 0x00      | 0x00      | 0x00      | 0x00      | 0x00      | 0x00      |
| 0x1C             | BBBExtra      | 0x00           | 0x00      | 0x00      | 0x00      | 0x00      | 0x00      | 0x00      | 0x23      | 0x01      |
| 0x1D             | HandShk       | 0x01           | 0x01      | 0x81      | 0x81      | 0x81      | 0x40      | 0x81      | 0x01      | 0x81      |
| 0x1E             | UVLOCfg       | 0x02           | 0x02      | 0x03      | 0x03      | 0x03      | 0x02      | 0x02      | 0x03      | 0x02      |
| 0x1F             | PWROFF        | 0x00           | 0x00      | 0x00      | 0x00      | 0x00      | 0x00      | 0x00      | 0x00      | 0x00      |

Typical Application Circuits

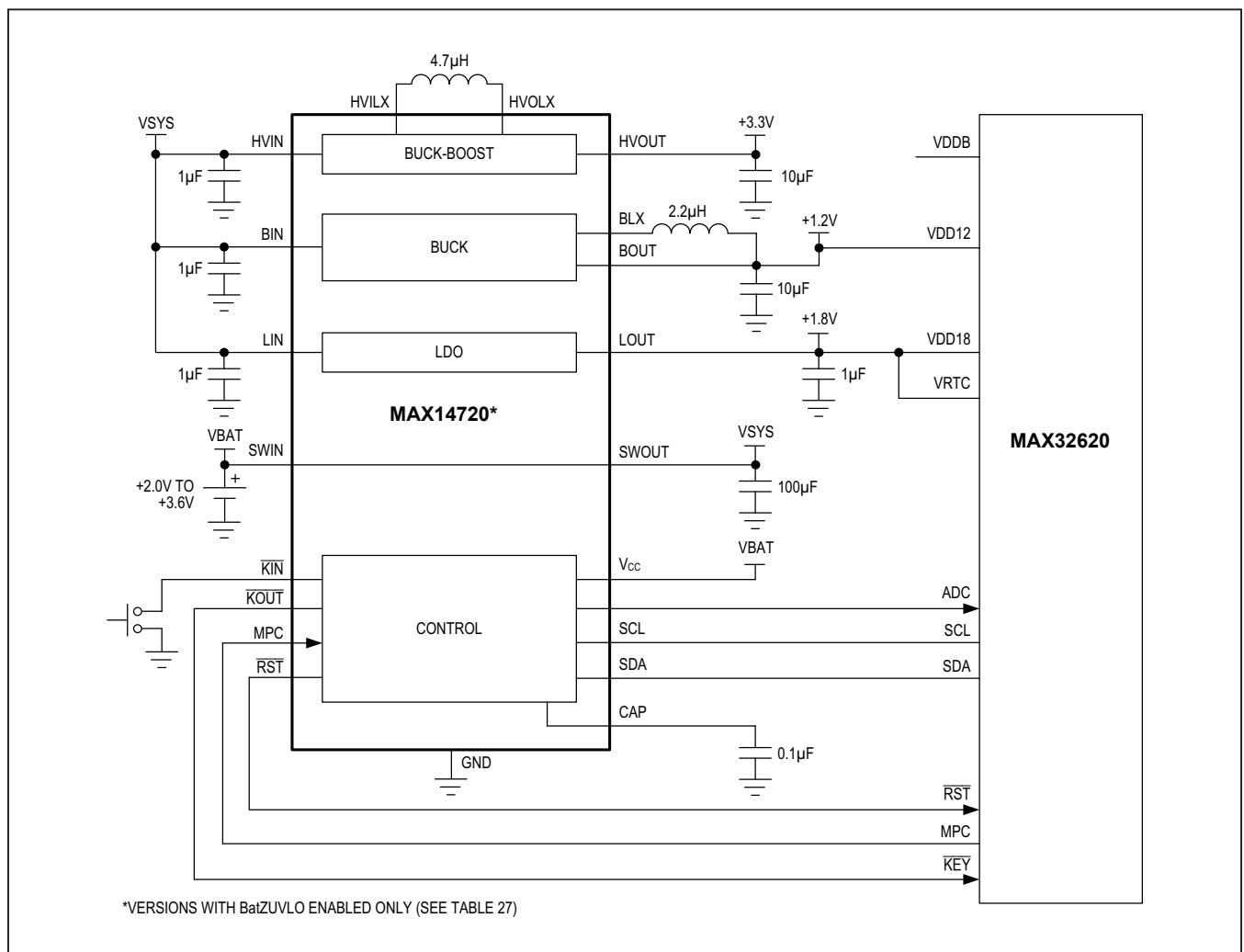


Figure 11. Lithium Coin Cell

Typical Application Circuits (continued)

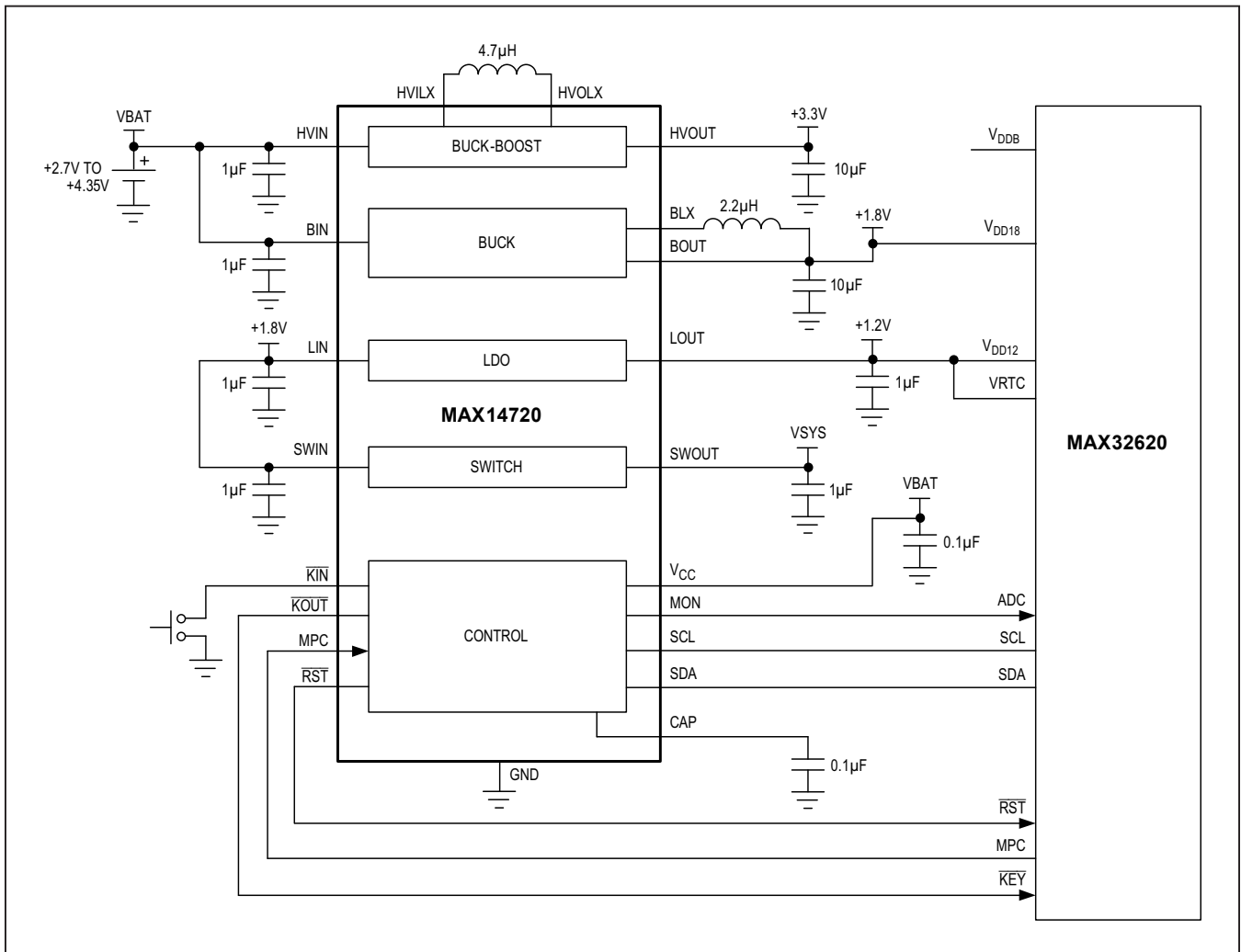


Figure 12. Removable Li+ Rechargeable

Typical Application Circuits (continued)

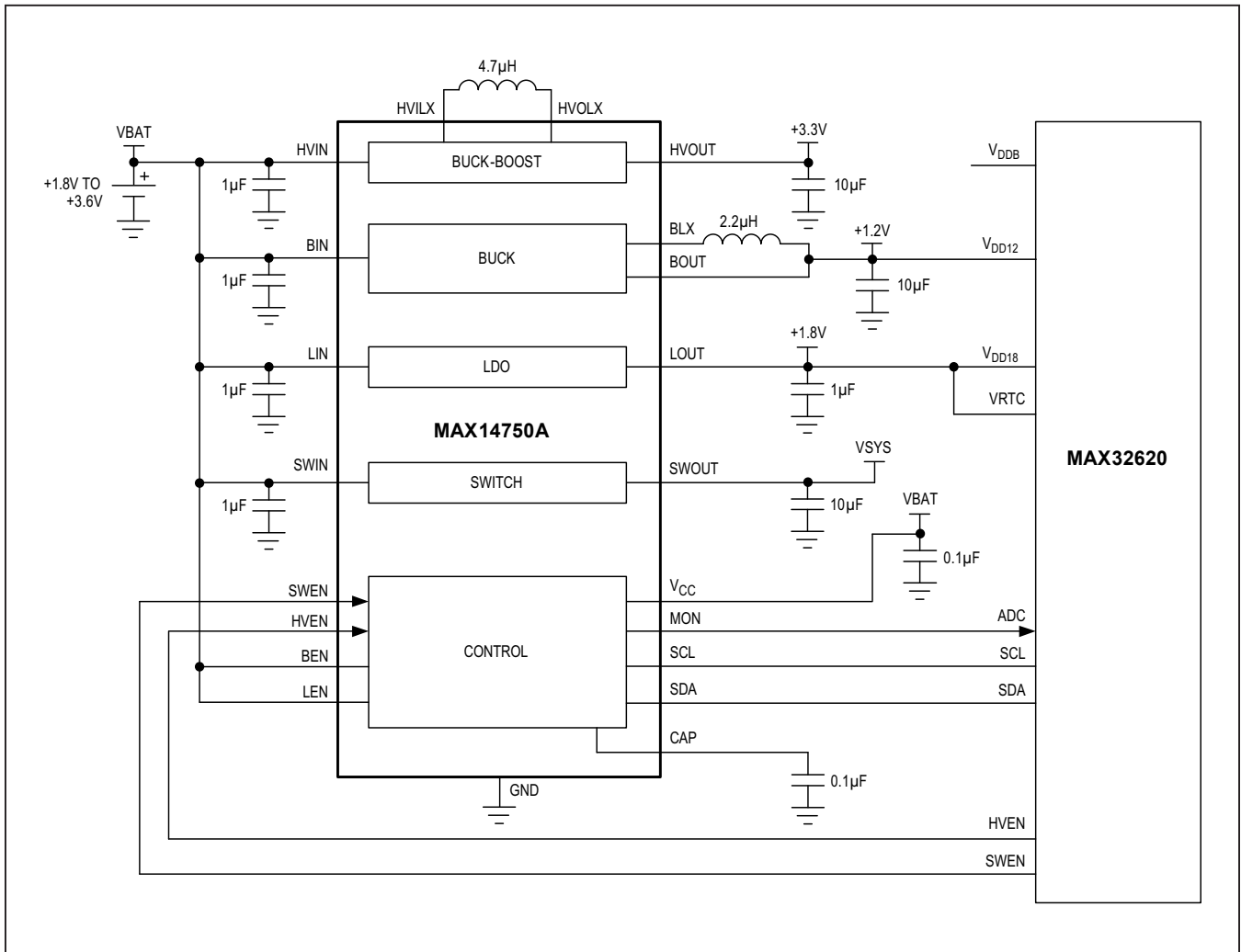


Figure 13. Always-On Coin Cell

Typical Application Circuits (continued)

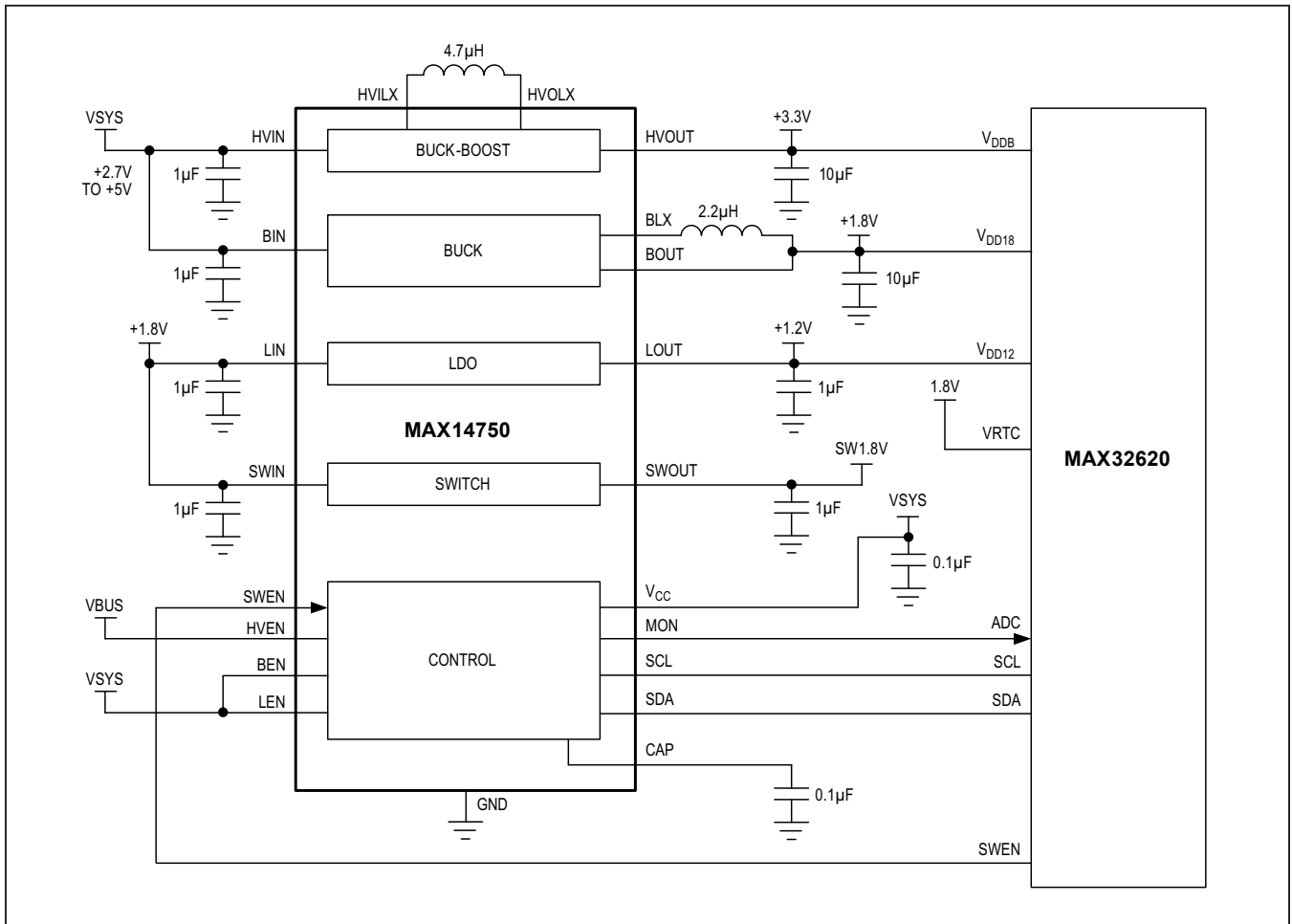


Figure 14. Companion Li+ Rechargeable

### Ordering Information

| PART                 | TEMP RANGE     | PIN-PACKAGE |
|----------------------|----------------|-------------|
| <b>MAX14720AEWA+</b> | -40°C to +85°C | 25 WLP      |
| MAX14720AEWA+T       | -40°C to +85°C | 25 WLP      |
| MAX14720BEWA+        | -40°C to +85°C | 25 WLP      |
| MAX14720BEWA+T       | -40°C to +85°C | 25 WLP      |
| MAX14720CEWA+        | -40°C to +85°C | 25 WLP      |
| MAX14720CEWA+T       | -40°C to +85°C | 25 WLP      |
| MAX14720DEWA+        | -40°C to +85°C | 25 WLP      |
| MAX14720DEWA+T       | -40°C to +85°C | 25 WLP      |
| MAX14720EEWA+        | -40°C to +85°C | 25 WLP      |
| MAX14720EEWA+T       | -40°C to +85°C | 25 WLP      |
| MAX14720FEWA+        | -40°C to +85°C | 25 WLP      |
| MAX14720FEWA+T       | -40°C to +85°C | 25 WLP      |
| <b>MAX14750AEWA+</b> | -40°C to +85°C | 25 WLP      |
| MAX14750AEWA+T       | -40°C to +85°C | 25 WLP      |
| MAX14750BEWA+        | -40°C to +85°C | 25 WLP      |
| MAX14750BEWA+T       | -40°C to +85°C | 25 WLP      |
| MAX14750CEWA+        | -40°C to +85°C | 25 WLP      |
| MAX14750CEWA+T       | -40°C to +85°C | 25 WLP      |

+Denotes a lead(Pb)-free/RoHS-compliant package.

T = Tape and reel.

### Chip Information

PROCESS: BiCMOS