

Click [here](#) to ask about production status of specific part numbers.

MAX22195

High-Speed, Octal, Industrial Digital Input with Parallel Output

General Description

The MAX22195 translates eight 24V industrial digital inputs to eight CMOS-compatible, parallel outputs. Propagation delay from input-to-output is less than 300ns for all channels. Current-limiters on each digital input greatly reduce power dissipation compared to traditional resistive inputs. The accuracy of these current-limiters minimizes power dissipation while ensuring compliance with the IEC 61131-2 standard. A current-setting resistor allows the MAX22195 to be configured for Type 1, Type 2, or Type 3 inputs. Additionally, the MAX22195 has energyless field-side LED drivers to meet the indicator light requirement of IEC 61131-2 with no additional power dissipation.

The MAX22195 provides a 3.3V integrated voltage regulator. The internal LDO accepts the field supply V_{DD24} from 7V to 65V. The internal LDO output can supply up to 25mA of current in addition to powering the basic MAX22195 requirements. This MAX22195 LDO current can be used to power digital isolators and other field-side circuits. Alternatively, the MAX22195 can be powered from a 3.0V to 5.5V supply connected to V_{DD3} pin.

The MAX22195 includes an open-drain READY output that asserts high to indicate the MAX22195 is functional. If the V_{DD24} field-side supply voltage is too low, or a fault in the current-setting resistor is detected, or the device reaches an over-temperature condition, the READY signal is set to high-impedance.

Applications

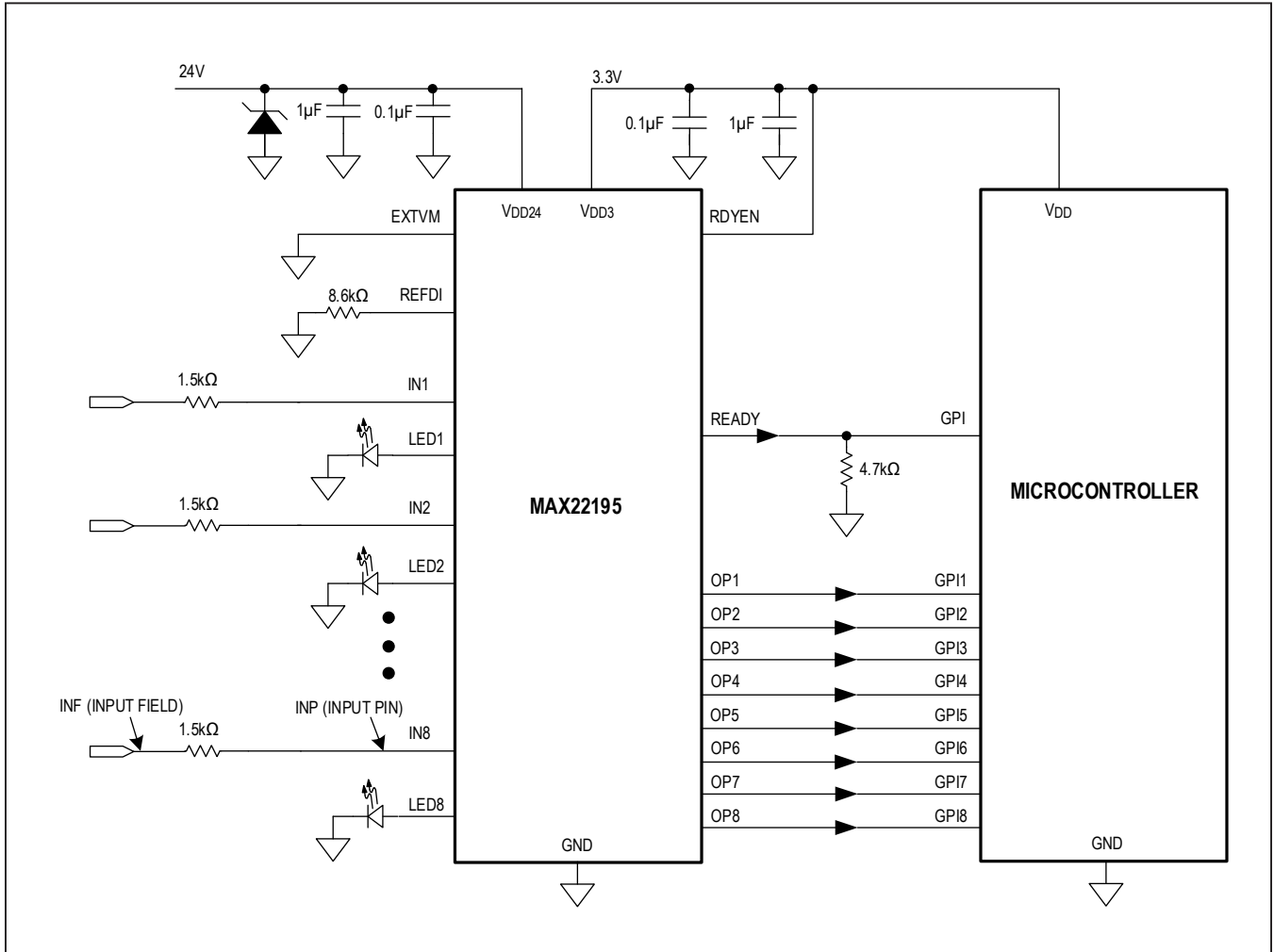
- Programmable Logic Controllers
- Industrial Automation
- Process Automation
- Building Automation

Benefits and Features

- High-Speed, Industrial Digital Inputs
 - 300ns Maximum Propagation Delay
 - ± 10 ns Maximum Channel-to-Channel Skew
 - Parallel Output for Simultaneous Signal Delivery
- High Integration Reduces BOM Count and Board Space
 - Operates Directly from Field Supply (7V to 65V)
 - Compatible with 3.3V or 5V Logic
 - 5mm x 5mm, 32-TQFN Package
- Low Power and Low Heat Dissipation
 - Low Quiescent Current (1.2mA Maximum)
 - Accurate Input Current-Limiters
 - Energyless Field-Side LED Drivers
- Fault Tolerant with Built-In Diagnostics
 - Integrated Field-Side Supply Monitor
 - Integrated Over-Temperature Monitor
 - Current-Setting Resistor Monitor
- Configurability Enables Wide Range of Applications
 - Configurable IEC 61131-2 Types 1, 2, 3 Inputs
 - Configurable Input Current Limiting from 0.56mA to 3.97mA
- Robust Design
 - ± 1 kV Surge Tolerant using Minimum 1k Ω Resistor
 - ± 8 kV Contact ESD and ± 15 kV Air Gap ESD Using Minimum 1k Ω Resistor
 - -40°C to $+125^{\circ}\text{C}$ Ambient Operating Temperature

Ordering Information appears at end of data sheet.

Octal Digital Input with Parallel Output



Absolute Maximum Ratings

V _{DD3} to GND	-0.3V to +6V	Continuous Power Dissipation	
V _{DD24} to GND.....	-0.3V to +70V	Multilayer Board T _A = +70°C.....	2222mW
OP1–OP8	-0.3V to V _{DD3} + 0.3V	Derate above +70°C.....	27.80mW/°C
IN1–IN8 to GND	-40V to +40V	Operating Temperature Range.....	+125°C
REFD1 to GND.....	-0.3V to V _{DD3} + 0.3V	Maximum Junction Temperature	+150°C
READY, RDYEN to GND.....	-0.3V to +6V	Storage Temperature Range.....	-65°C to +150°C
EXTVM to GND.....	-0.3V to +6V	Lead Temperature (soldering, 10s)	+300°C
LED1–LED8 to GND	-0.3V to +6V	Soldering(reflow)	+260°C

Stresses beyond those listed under "Absolute Maximum Ratings" may cause permanent damage to the device. These are stress ratings only, and functional operation of the device at these or any other conditions beyond those indicated in the operational sections of the specifications is not implied. Exposure to absolute maximum rating conditions for extended periods may affect device reliability.

Package Information

PACKAGE TYPE: 32 TQFN	
Package Code	T3255+6
Outline Number	21-0140
Land Pattern Number	90-0603
THERMAL RESISTANCE, MULTILAYER BOARD	
Junction to Ambient (θ _{JA})	36°C/W
Junction to Case (θ _{JC})	3°C/W

For the latest package outline information and land patterns (footprints), go to www.maximintegrated.com/packages. Note that a "+", "#", or "-" in the package code indicates RoHS status only. Package drawings may show a different suffix character, but the drawing pertains to the package regardless of RoHS status.

Package thermal resistances were obtained using the method described in JEDEC specification JESD51-7, using a four-layer board. For detailed information on package thermal considerations, refer to www.maximintegrated.com/thermal-tutorial.

DC Electrical Characteristics

V_{DD3} to GND = +3.0V to +5.5V, T_A = -40°C to +125°C, unless otherwise noted. C_L on OP1-OP8 = 15pF. Typical values are at V_{DD3} to GND = +3.3V, V_{DD24} to GND = +24V, Field Inputs IN1-IN8 = +24V, and T_A = +25°C. (Note 1)

PARAMETER	SYMBOL	CONDITIONS	MIN	TYP	MAX	UNITS
POWER SUPPLIES						
Supply Voltage	V_{DD24}	Normal operation	7		65	V
	V_{DD3}	Powered from an external power supply	3.0		5.5	V
Supply Current Powered from V_{DD24}	I_{DD24}	V_{DD24} = 24V, IN1-IN8 = 0V, LED_ = GND, no load on OP1-OP8		0.6	1.2	mA
Supply Current Powered from V_{DD3}	I_{DD3}	V_{DD3} = 3.3V, IN1-IN8 = 0V, LED_ = GND, no load on OP1-OP8, V_{DD24} floating		0.6	1.2	mA
V_{DD3} Undervoltage-Lockout Threshold	V_{UVLO3}	Powered from V_{DD3} , V_{DD3} rising V_{DD24} floating	2.4		2.9	V
V_{DD3} Undervoltage-Lockout Threshold Hysteresis	$V_{UVHYST3}$			0.07		V
V_{DD24} READY Threshold	V_{READY_24VR}	V_{DD24} rising, EXTVM = GND	13.8	14.6	15.4	V
	V_{READY_24VF}	V_{DD24} falling, EXTVM = GND	13.3	14.1	15.0	V
V_{DD24} Undervoltage-Lockout Threshold	V_{UVLO24}	V_{DD24} rising	6.0		6.8	V
V_{DD24} Undervoltage-Lockout Threshold Hysteresis	$V_{UVHYST24}$			0.45		V
Regulator Output Voltage	V_{DD3}	I_{LOAD} = 1mA, V_{DD24} = 7V to 65V	3.0	3.3	3.6	V
Line Regulation	d V_{DDLIN}	I_{LOAD} = 1mA, V_{DD24} = 12V to 24V		0		mV
Load Regulation	d $V_{DDLLOAD}$	I_{LOAD} = 1mA to 10mA, V_{DD24} = 12V		1		mV
Short-Circuit Current Limit	I_{DD24_SC}	V_{DD24} current when V_{DD3} short to GND, V_{DD24} = 12V	28	37.5	50	mA
VDD24 MONITOR						
EXTVM Glitch Filter				3		μs
EXTVM Threshold Off to On	$V_{24TH_OFF_ON}$	V_{DD24} rising	0.77	0.81	0.84	V
EXTVM Threshold On to Off	$V_{24TH_ON_OFF}$	V_{DD24} falling	0.74	0.79	0.82	V
External EXTVM Selection Threshold	EXTVM_SEL			0.3		V
External EXTVM Selectable V_{DD24} Threshold	EXTVM_VDD24		10		30	V
EXTVM Leakage Current	I_{EXTVM_L}		-1		1	μA
THERMAL SHUTDOWN						
Thermal-Shutdown Threshold	T_{SHDN}	V_{DD3} internal regulator off		165		°C
Thermal-Shutdown Hysteresis	T_{SHDN_HYS}			10		°C

DC Electrical Characteristics (continued)

V_{DD3} to GND = +3.0V to +5.5V, T_A = -40°C to +125°C, unless otherwise noted. C_L on OP1-OP8 = 15pF. Typical values are at V_{DD3} to GND = +3.3V, V_{DD24} to GND = +24V, Field Inputs IN1-IN8 = +24V, and T_A = +25°C. (Note 1)

PARAMETER	SYMBOL	CONDITIONS	MIN	TYP	MAX	UNITS
CURRENT LIMITING SETTING						
REFDI Voltage	V_{REFDI}			0.61		V
Current-Limit Setting Resistor	R_{REFDI}		5.2	8.6	36	k Ω
REFDI Pin Short	REFDI_S	Increasing current at pin REFDI		550		μ A
		Decreasing current at pin REFDI		548		μ A
REFDI Pin Open	REFDI_O	Increasing current at pin REFDI		4.46		μ A
		Decreasing current at pin REFDI		7.21		μ A
IC INPUTS (TYPE 1, 2, 3)						
Input Current Limit		$-40V < V_{IN_} < 0V$, $V_{IN_}$ at IN1 - IN8 pins		100		μ A
LED On-State Current	I_{LED_ON}	$R_{REFDI} = 8.6k\Omega$, $V_{LED} = 3V$	1.5			mA
DI Leakage, Current Sources Disabled	I_{DI_LEAK}	IN1 – IN8 = 28V	40	58	80	μ A
		IN1 – IN8 = 6V	8	11.4	16	
Input Threshold Low-to-High	V_{THP+}	IN1 – IN8		5.6	6	V
Input Threshold High-to-Low	V_{THP-}	IN1 – IN8	4.4	4.7		V
Input Threshold Hysteresis	$V_{INPHYST}$	IN1 – IN8		0.9		V
FIELD INPUTS TYPE 1, 3: (EXTERNAL SERIES RESISTOR $R_{IN} = 1.5k\Omega$, $R_{REFDI} = 8.6k\Omega$)						
Field-Input Current Limit	I_{INLIM}	$6V (V_{THP+} MAX) \leq V_{IN_}$ at the pin $\leq 28V$, LED on, $R_{REFDI} = 8.6k\Omega$ (Note 2)	2.15	2.40	2.65	mA
Field Input Threshold Low-to-High	V_{INF+}	$R_{REFDI} = 8.6k\Omega$, 1.5k Ω external series resistor			10	V
Field Input Threshold High-to-Low	V_{INF-}	$R_{REFDI} = 8.6k\Omega$, 1.5k Ω external series resistor	8			V
FIELD INPUTS TYPE 2: (EXTERNAL SERIES RESISTOR $R_{IN} = 1k\Omega$, $R_{REFDI} = 5.2k\Omega$)						
Field-Input Current Limit	I_{INLIM}	$6V (V_{THP+} MAX) \leq V_{IN_}$ at the pin $\leq 28V$, LED on, $R_{REFDI} = 5.2k\Omega$ (Note 2)	3.55	3.97	4.39	mA
Field Input Threshold Low-to-High	V_{INF+}	$R_{REFDI} = 5.2k\Omega$, 1k Ω external series resistor			10	V
Field Input Threshold High-to-Low	V_{INF-}	$R_{REFDI} = 5.2k\Omega$, 1k Ω external series resistor	8			V
LOGIC INPUT (RDYEN)						
Input Logic-High Voltage	V_{IH}		0.7 x V_{DD3}			V
Input Logic-Low Voltage	V_{IL}				0.3 x V_{DD3}	V
Input Pulldown Resistance	R_{PD}			199		k Ω

DC Electrical Characteristics (continued)

V_{DD3} to GND = +3.0V to +5.5V, T_A = -40°C to +125°C, unless otherwise noted. C_L on OP1-OP8 = 15pF. Typical values are at V_{DD3} to GND = +3.3V, V_{DD24} to GND = +24V, Field Inputs IN1-IN8 = +24V, and T_A = +25°C. (Note 1)

PARAMETER	SYMBOL	CONDITIONS	MIN	TYP	MAX	UNITS
LOGIC OUTPUT (OP1-OP8, READY)						
Output Logic-High Voltage	V_{OH}	Sourcing 4mA	$V_{DD3} - 0.4$			V
Output Logic-Low Voltage	V_{OL}	Sinking 4mA			0.4	V
DYNAMIC CHARACTERISTICS (OP1-OP8)						
Propagation Delay Low-to-High (Figure 1)	t_{PDLH}	IN ₋ to OP ₋ , $R_{IN} = 1.5k\Omega$, IN ₋ = 11V and 36V			300	ns
Propagation Delay High-to-Low (Figure 1)	t_{PDHL}	IN ₋ to OP ₋ , $R_{IN} = 1.5k\Omega$, IN ₋ = 11V and 36V			300	ns
Propagation Delay Skew Channel-to-Channel (Figure 1)	t_{PDSKEW_CH}	IN ₋ to OP ₋ , $R_{IN} = 1.5k\Omega$, IN ₋ = 11V and 36V	-10		10	ns
Propagation Delay Skew Part-to-Part (Figure 1)	t_{PDSKEW_PART}	IN ₋ to OP ₋ , $R_{IN} = 1.5k\Omega$, IN ₋ = 11V and 36V, All conditions are the same between parts	-200		+200	ns
Propagation Delay Jitter	t_{PDJ_R}	Output Rising, $V_{DD3} = 3.3V$, IN ₋ = 24V		40		ps
	t_{PDJ_F}	Output Falling, $V_{DD3} = 3.3V$, IN ₋ = 24V		50		ps
Detectable Pulse Width (Figure 1)	t_{PW}	IN ₋ to OP ₋ , $R_{IN} = 1.5k\Omega$, IN ₋ = 11V and 36V	220			ns
Pulse Width Distortion	PWD	$ t_{PDLH} - t_{PDHL} $	0		180	ns

Note 1: All units are production tested at $T_A = +25^\circ\text{C}$. Specifications over temperature are guaranteed by design.

Note 2: External resistor REFDI is selected to set any desired current limit between 0.56mA to 3.97mA (typical values). The current limit accuracy of $\pm 10.6\%$ is guaranteed for values greater or equal to 2mA.

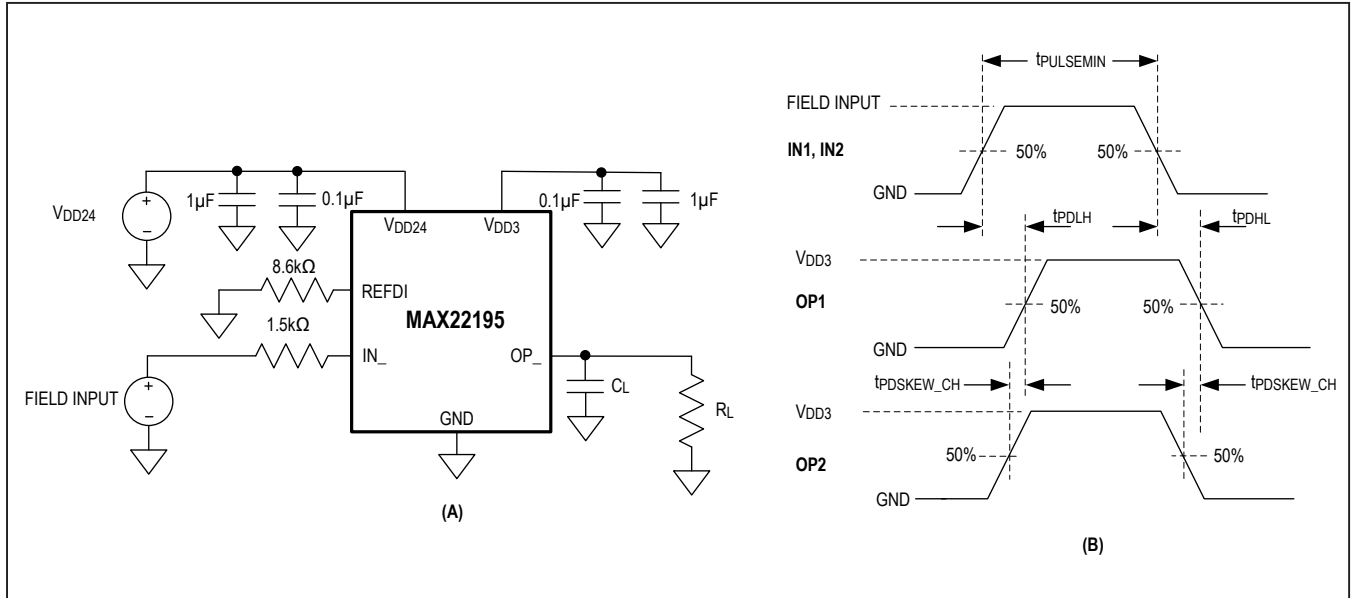


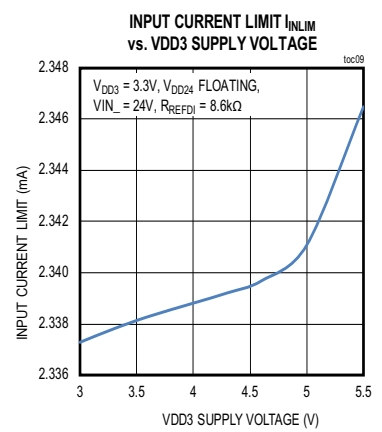
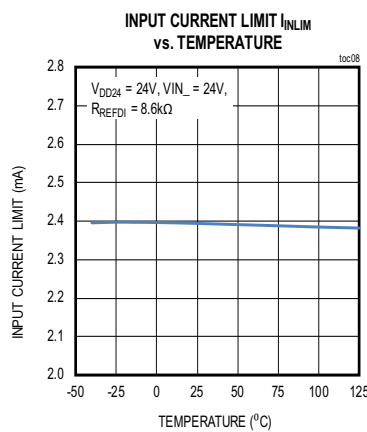
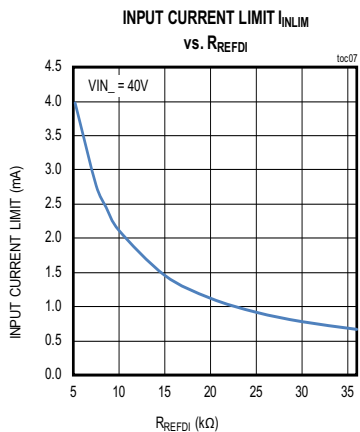
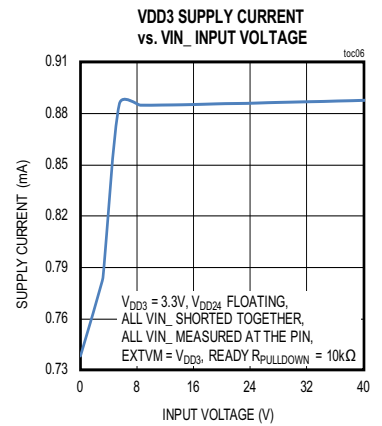
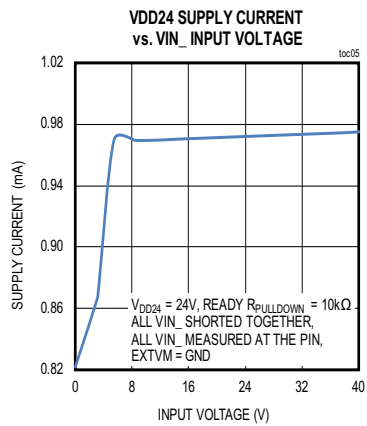
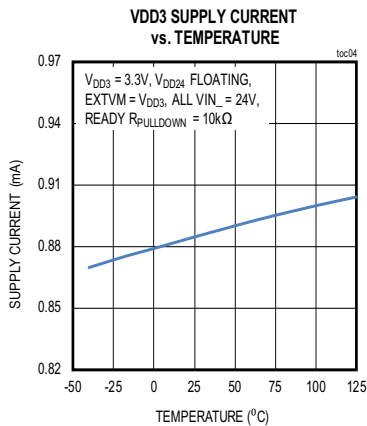
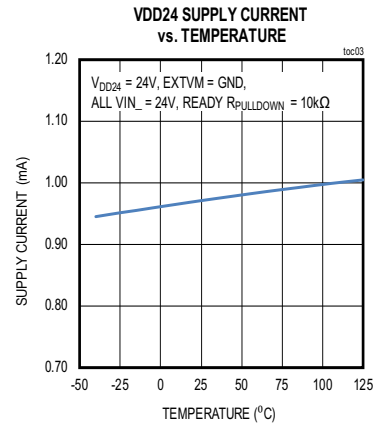
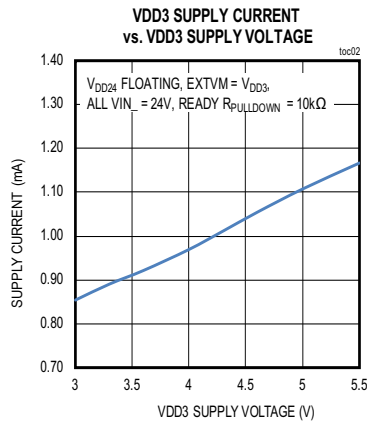
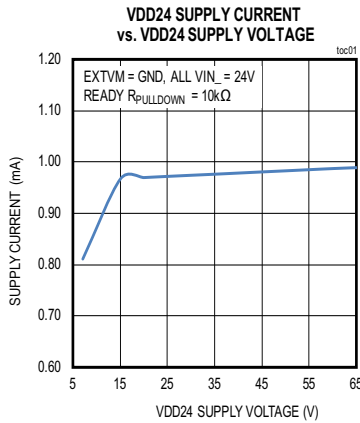
Figure 1. Test Circuit (A) and Timing Diagram (B)

ESD and EMC Characteristics

PARAMETER	SYMBOL	CONDITIONS	VALUE	UNITS
Surge	Line-to-Line	IEC 61000-4-5, 1.2/50μs pulse, minimum 1kΩ resistor in series with IN1–IN8	±2	kV
	Line-to-Ground	IEC 61000-4-5, 1.2/50μs pulse, minimum 1kΩ resistor in series with IN1–IN8	±1	
ESD	Human Body Model	All Pins	±2	
	Contact Discharge	IEC 61000-4-2, minimum 1kΩ resistor in series with IN1–IN8	±8	
	Air-Gap Discharge	IEC 61000-4-2, minimum 1kΩ resistor in series with IN1–IN8	±15	

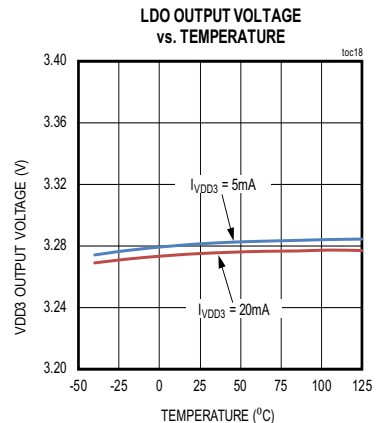
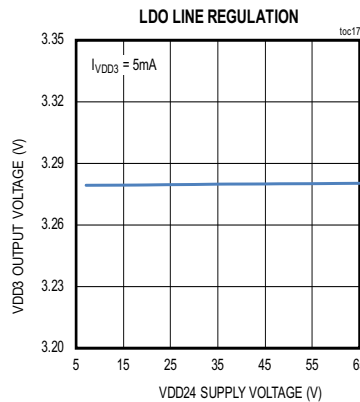
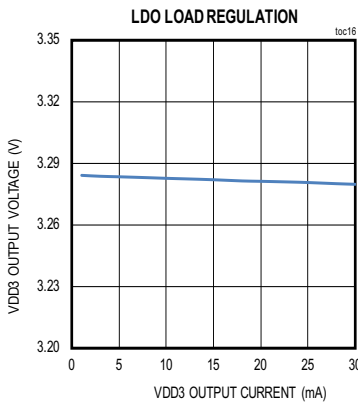
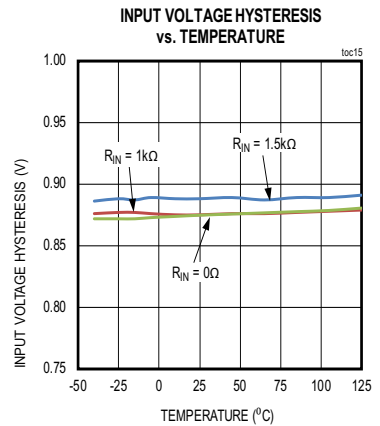
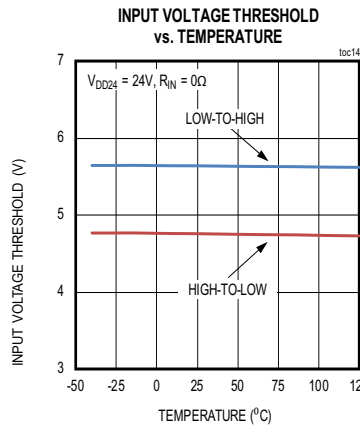
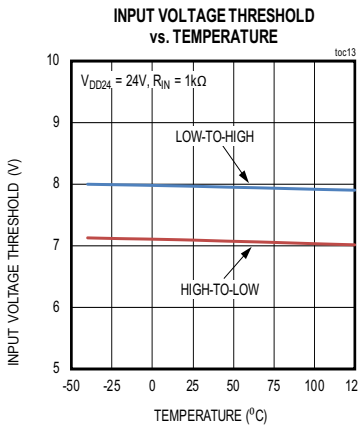
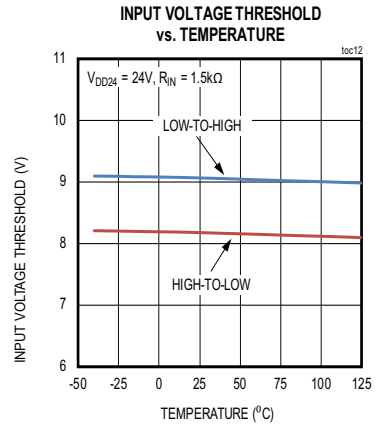
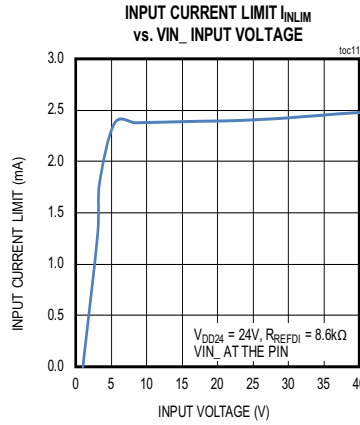
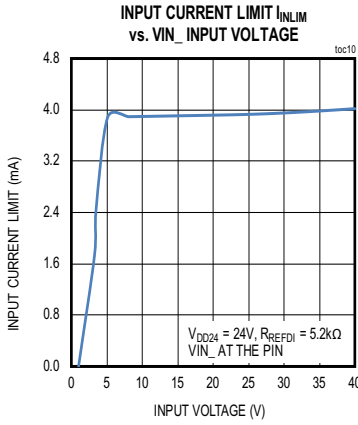
Typical Operating Characteristics

($V_{DD24} = 24V$, $V_{DD3} = 3.3V$, $T_A = +25^\circ C$, $R_{REFDI} = 8.6k\Omega$ or $5.2k\Omega$, $R_{IN} = 1.5k\Omega$ or $1k\Omega$, unless otherwise noted.)



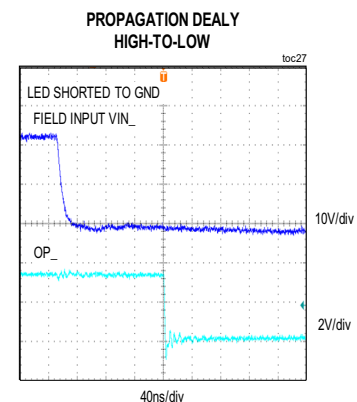
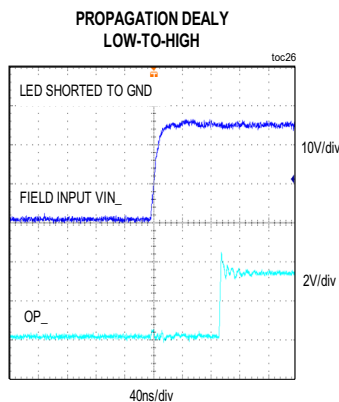
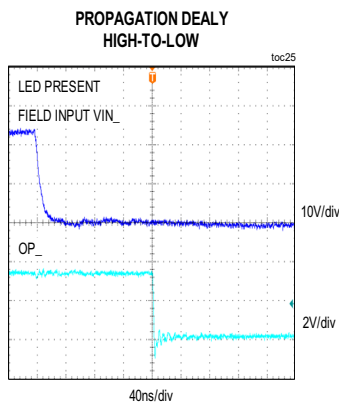
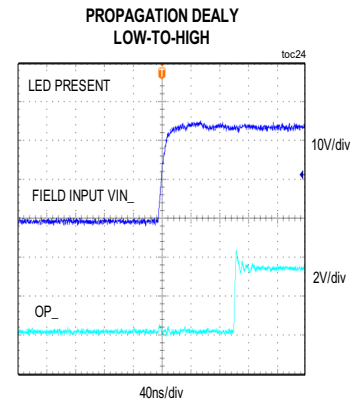
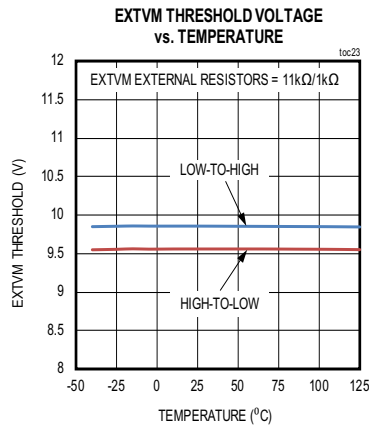
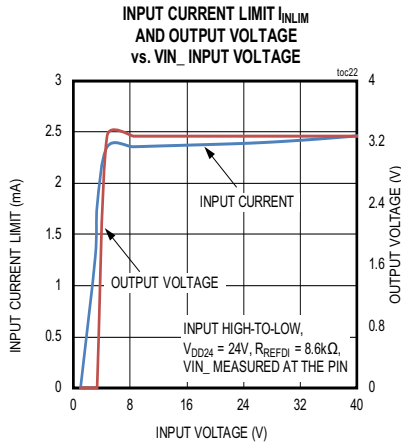
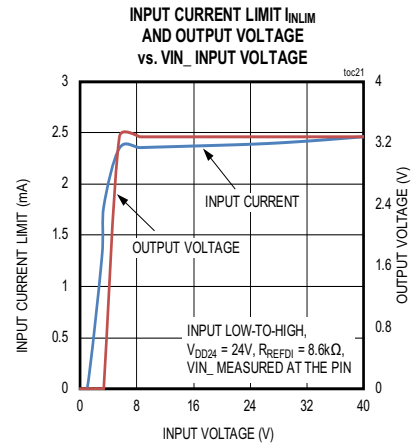
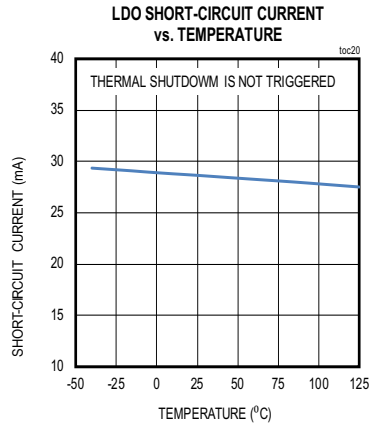
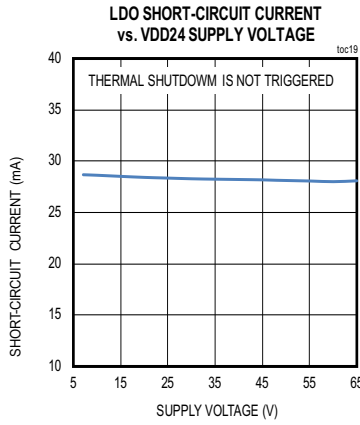
Typical Operating Characteristics (continued)

($V_{DD24} = 24V$, $V_{DD3} = 3.3V$, $T_A = +25^\circ C$, $R_{REFDI} = 8.6k\Omega$ or $5.2k\Omega$, $R_{IN} = 1.5k\Omega$ or $1k\Omega$, unless otherwise noted.)

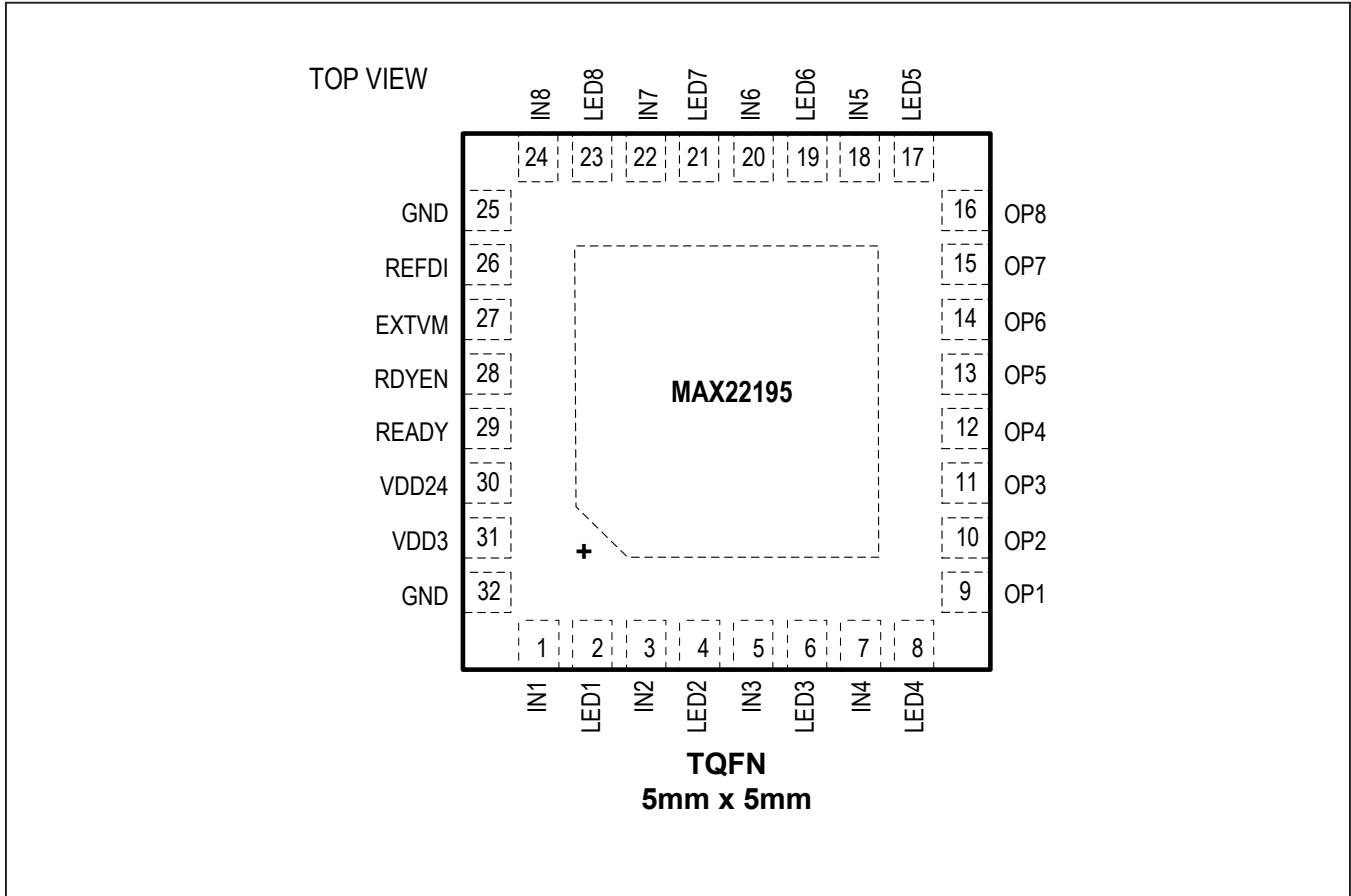


Typical Operating Characteristics (continued)

($V_{DD24} = 24V$, $V_{DD3} = 3.3V$, $T_A = +25^\circ C$, $R_{REFDI} = 8.6k\Omega$ or $5.2k\Omega$, $R_{IN} = 1.5k\Omega$ or $1k\Omega$, unless otherwise noted.)



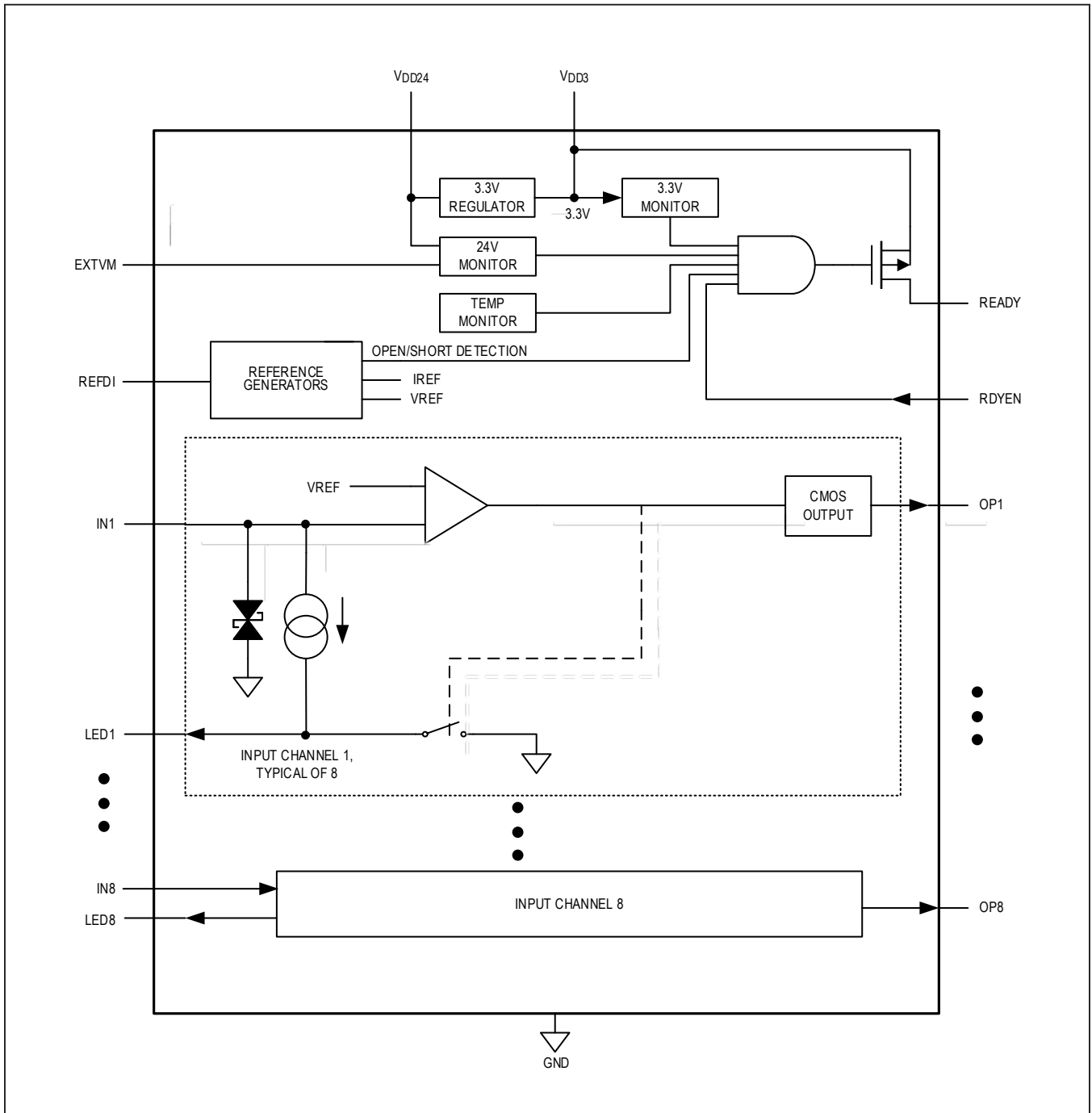
Pin Configuration



Pin Description

PIN	NAME	FUNCTION
POWER SUPPLY		
30	V _{DD24}	24V Field Supply. Bypass to GND with 0.1µF capacitor in parallel with 1µF capacitor.
31	V _{DD3}	3.3V output from integrated LDO when powered from V _{DD24} , or 3.0 - 5.5V supply input when V _{DD24} not driven. Bypass to GND with 0.1µF capacitor in parallel with 1µF capacitor. If powering V _{DD3} from an external supply, leave V _{DD24} floating. V _{DD3} output is turned off during thermal shutdown.
25, 32	GND	Ground Return for All Signals and the Power Supplies
EP	-	Exposed Pad. Connect to GND. Solder entire exposed pad area to ground plane with multiple vias for best thermal performance. EP = exposed pad on the back of the package
ANALOG PINS		
27	EXTVM	Connect EXTVM to GND to use internal thresholds (14V, typical) for V _{DD24} voltage monitoring. Connect EXTVM to external resistive divider to set external thresholds for V _{DD24} voltage monitoring. Connect EXTVM to V _{DD3} to disable V _{DD24} voltage monitoring at READY pin if the device is powered by V _{DD3} .
26	REFDI	Digital Input Current-Limit Reference Resistor. For 24V Type 1 and Type 3 inputs, place a 8.6kΩ resistor from REFDI to GND. For Type 2 inputs, place a 5.2kΩ resistor from REFDI to GND.
INPUT PINS		
1,3,5,7,18, 20,22,24	IN1-IN8 respectively	Field Inputs. For 24V Type 1 and Type 3 inputs, place a 1.5kΩ resistor between the field input and IN_ pin. For Type 2 inputs, place a 1kΩ resistor between the field input and IN_ pin. Capacitors for filtering should not be connected to the IN_ pins. See the Surge Protection of Field Inputs section for further information.
2,4,6,8,17, 19,21,23	LED1-LED8 respectively	Energyless LED Driver Outputs. Connect to GND if LEDs are not used.
LOGIC PINS		
9,10,11,12, 13,14,15,16	OP1-OP8 respectively	Logic Outputs. Indicate the state (high or low) of IN1-IN8. High level is V _{DD3} . Low level is GND. If thermal shutdown is triggered, OP1-OP8 are high-impedance.
28	RDYEN	Ready Enable. Has a weak internal pull-down. Assert high to enable the READY output. Cascade the READY signal of multiple devices through a single isolator or a microcontroller input pin by connecting the READY output of each device to the RDYEN input of the next device in the chain. READY from the last device in the chain drives the isolator input, or the microcontrol GPI.
29	READY	Open-drain output. Connect a pull-down resistor between READY and GND pin. Assert high to indicate the device is functional and the outputs are valid. The following conditions must be met for READY to assert high: 1. V _{DD3} is above the UVLO threshold. 2. REFDI is not open or shorted to GND. 3. MAX22195 is not in Thermal Shutdown. 4. RDYEN is high. 5. V _{DD24} is valid if the device is powered by V _{DD24} and EXTVM is not connected to V _{DD3} .

Functional/Block Diagram



Detailed Description

The MAX22195 senses the state (on, high or off, low) of each input (IN1-IN8). The voltages at the IN1-IN8 input pins are compared against internal references to determine whether the sensor is on (logic 1) or off (logic 0). Placing a 8.6kΩ current-setting resistor between REFDI and GND, and a 1.5kΩ resistor in series with each input ensures that the current at the on and off trip points as well as the voltage at the trip points satisfy the requirements of IEC 61131-2 for Type 1 and Type 3 inputs (Figure 2). The current sunk by each input pin rises linearly with input voltage until the level set by the current-limiter is reached; any voltage increase beyond this point does not increase the input current. Limiting the input current ensures compliance with IEC 61131-2 while significantly reducing power dissipation compared to traditional resistive inputs.

The current-setting resistor R_{REFDI} can be calculated using this equation:

$$I_{INLIM} [mA] = V_{IN} / 517 [V/k\Omega] + 20.5 / R_{REFDI} [V/k\Omega]$$

where V_{IN} is 5.6V at the input pin during production test for the typical value of Type 1 and 3, and Type 2 current limits.

RDYEN and READY Monitor

The READY output is used to signal a logic-side controller that the field-side circuit is working. This allows the controller to distinguish from a valid reading of eight low inputs or an invalid reading caused by a field-side fault such as loss of power. The READY output is asserted high when the following five conditions are met: the UVLO voltage threshold for V_{DD3} is exceeded; the V_{DD24} field supply requirement is met as set by internal thresholds or EXTVM external thresholds if enabled; the device is not in thermal shutdown; current through the REFDI pin is in a reasonable range (7.21μA to 550μA); and the RDYEN is high.

Ready Enable RDYEN is used to cascade other READY signals through to a single digital isolation channel or a microcontroller GPI pin. Connect the READY output of one device to the RDYEN input of the next device in the chain. Connect the final READY output to a digital isolator or a microcontroller GPI pin. All READY signals must be high for the final READY signal to go high. READY is an open-drain PMOS output, driven to V_{DD3} for a high output and set at high-impedance for a low output. Refer to [Typical Application Circuits](#) for details.

Outputs OP1 - OP8 are high-impedance only when thermal shutdown is triggered.

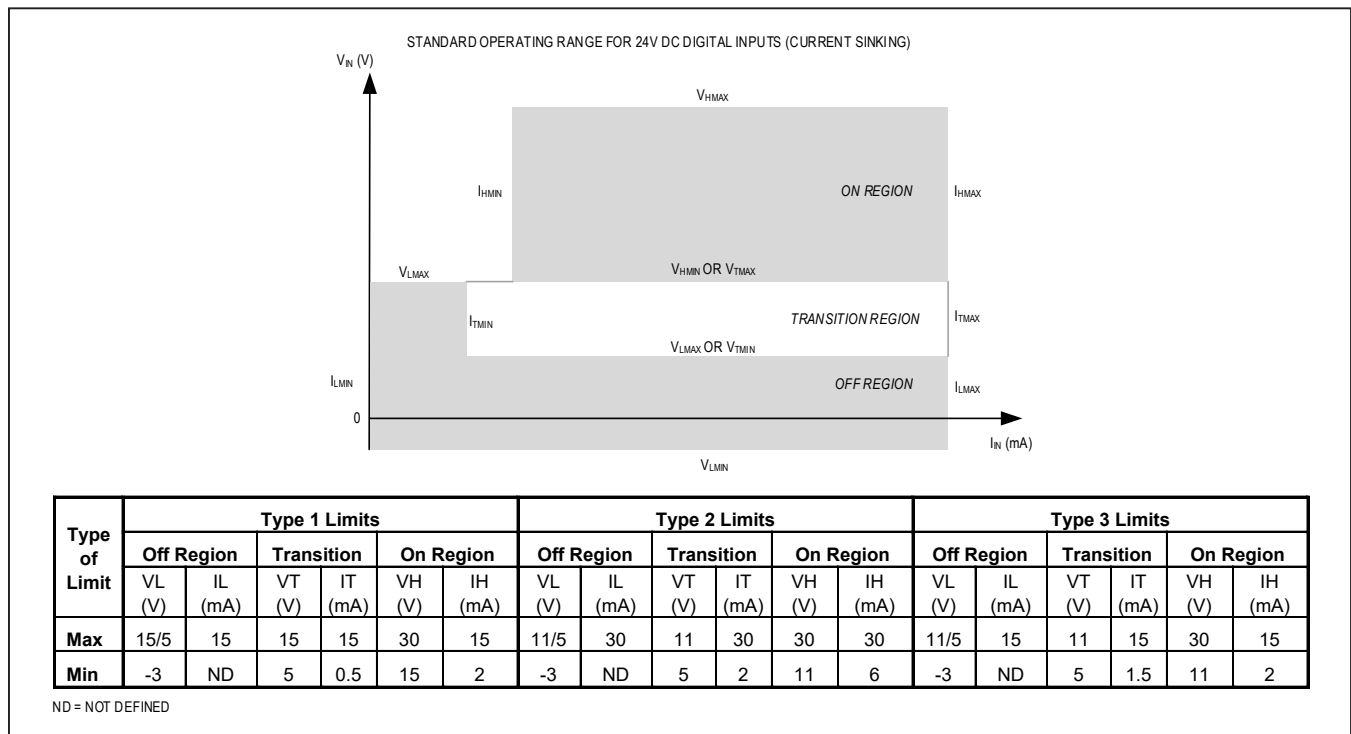


Figure 2. Switching Characteristics for IEC 61131-2 Type 1, 2, and 3 24VDC Digital Inputs

External VDD24 Voltage Monitor

The EXTVM input controls how the VDD24 field supply affects the READY output. When EXTVM is connected to VDD3, the status of the VDD24 field supply becomes a don't-care in the decision to assert READY. This is useful when the MAX22195 is being powered directly from a 3.3V supply on VDD3 and VDD24 is not in use. When EXTVM is connected to GND, the voltage on VDD24 must be above the nominal 14V threshold before READY asserted high. To use an user-defined VDD24 supply voltage threshold, use an external resistive divider to apply an analog voltage directly to EXTVM. The voltage at EXTVM must be greater than the threshold, 0.81V (VREF) nominal, before READY asserted high. [Figure 3](#) shows an example of the VDD24 being monitored with the use of external resistive divider to set a nominal threshold before READY asserted high.

$$V_{DD24} = V_{REF} (1 + (R2/R1))$$

Short/Open Detection at REFDI Pin

Short or open detection at REFDI pin is implemented by monitoring the current set by REFDI pin. When more than 550µA current is detected, meaning a short at REFDI, the 2mA minimum input current is not guaranteed, and field input low-to-high and high-to-low thresholds are changed. When less than 7.21µA current is detected, meaning an open at REFDI, the 2mA minimum input current is not guaranteed. When open or short at REFDI pin is detected, the READY pin is not asserted.

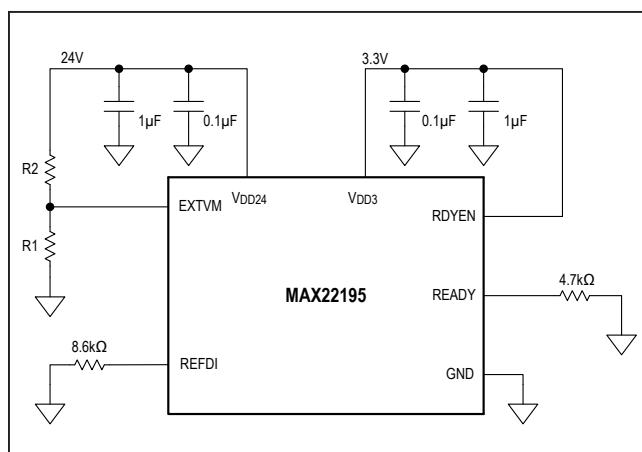


Figure 3. User-Defined VDD24 Threshold Set by EXTVM and External Resistive Divider

Energiless LED Drivers

When IN_n is determined to be on, its input current is diverted to the LED_n pin and flows from that pin to GND. Placing an LED between LED_n and GND provides an indication of the input state without increasing overall power dissipation. If the indicator LEDs are not used, connect LED_n to GND.

Type 2 Sensor Inputs

The additional input current (6mA min) and associated power dissipation of Type 2 input require the use of two MAX22195 inputs in parallel. The current of each channel is set to a nominal 3.97mA (7.9mA total) by placing a 5.2kΩ resistor from REFDI to GND. The proper voltage drop across the input resistor is maintained by reducing the resistance from 1.5kΩ to 1kΩ for each MAX22195 input channel. If lower input current is desired, the REFDI resistor can be increased to 5.76kΩ or higher as long as the 6mA minimum input current for Type 2 is met. For proper surge protection, it is important that each MAX22195 input has its own resistor. Any two MAX22195 channels may be used; they need not be continuous ([Figure 4](#)). Either channel may be read to determine the input state. The additional power dissipation from this Type 2 configuration reduces the maximum ambient operating temperature to 120°C, when all inputs are at 30V, and the MAX22195s are powered from a 30V field supply and there is no additional load on VDD3.

Thermal Considerations

The MAX22195 will operate at an ambient temperature of 125°C on a properly designed multilayer PC board. Operating at higher voltages, or with heavy output loads such as optical isolators will increase power dissipation and reduce the maximum allowable operating temperature. See [Package Information](#) section and [Absolute Maximum Ratings](#) section for safety operation temperature and maximum power dissipation.

The MAX22195 is in thermal shutdown when the thermal shutdown temperature threshold is exceeded. During thermal shutdown, the internal voltage regulator, input channels, REFDI circuitry are all turned off, and outputs OP1-OP8 are high-impedance.

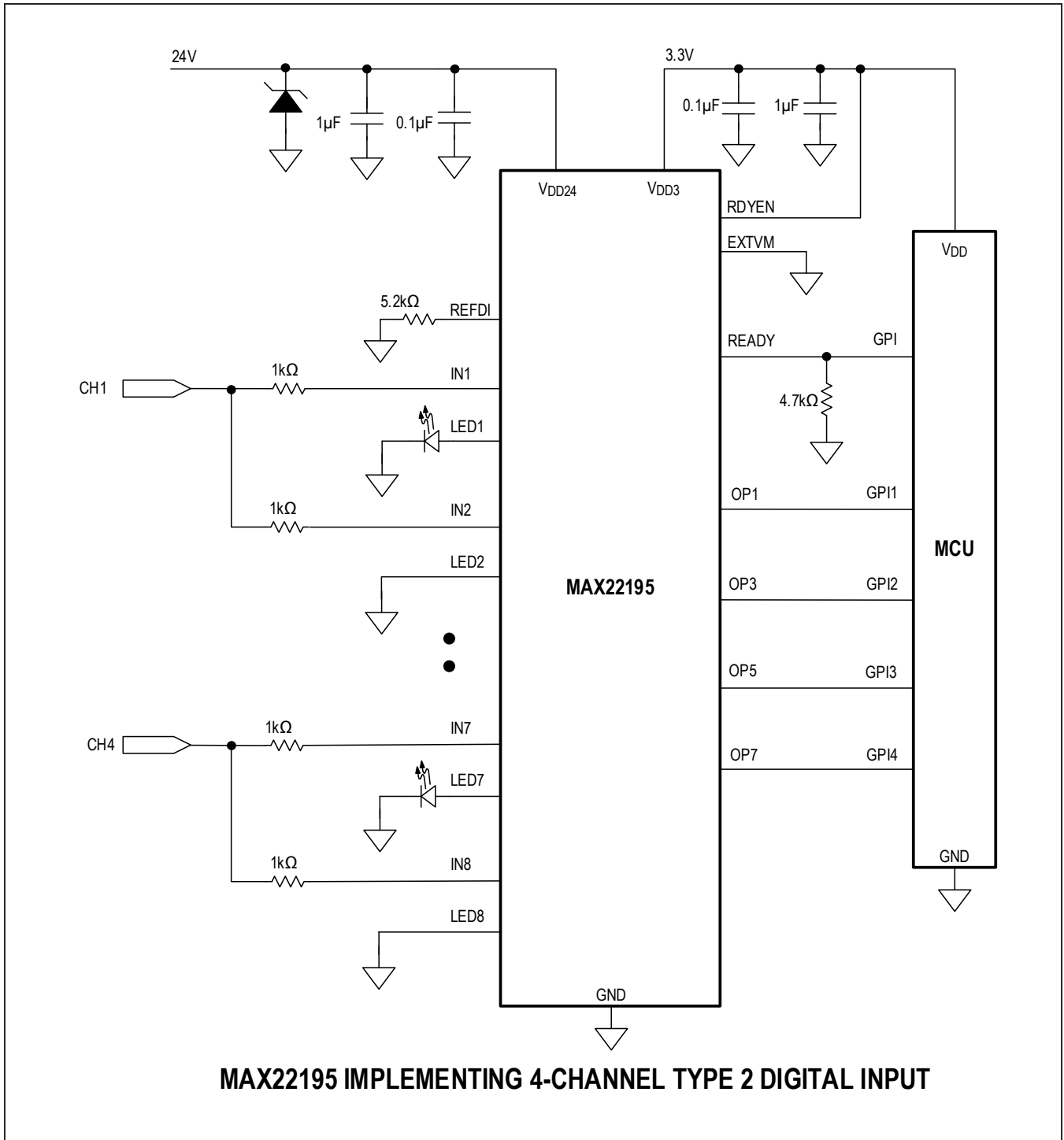


Figure 4. Implementing Type 2 Digital Inputs with MAX22195

Applications Information

Power Supply Decoupling

To reduce ripple and the chance of introducing data errors, bypass V_{DD24} and V_{DD3} with a $0.1\mu\text{F}$ low-ESR ceramic capacitor in parallel with $1\mu\text{F}$ ceramic capacitor to GND, respectively. Place the bypass capacitors as close as possible to the power supply input pins.

Powering MAX22195 with V_{DD3}

The MAX22195 can alternatively be powered using a 3.0 – 5.5V supply connected to the V_{DD3} pin. In this case, a 24V supply is no longer needed, the V_{DD24} pin must be left unconnected and EXTVM pin is connected to V_{DD3} to disable the V_{DD24} voltage monitoring, see [Typical Application Circuits](#) for details. This configuration has lower power consumption and heat dissipation since the on-chip LDO voltage regulator is disabled (the V_{DD24} undervoltage lockout is below threshold and automatically disables the LDO).

PCB Layout Recommendations

The PCB designer should follow some critical recommendations in order to get the best performance from the design.

- Keep the input/output traces as short as possible. Avoid using vias on the signals to make low-inductance paths.
- Have a solid ground plane underneath the entire exposed pad (EP) area with multiple thermal vias for best thermal performance.

- In order to achieve the highest EFT performance, it is recommended to have the GND plane around the REF_{DI} traces, and isolate the REF_{DI} traces from all input traces, especially IN₈, as much as possible. For example, route input traces and REF_{DI} traces on two different layers and have a GND plane on the inner layers in between.

IEC 61131-2 EMC Requirement

The MAX22195 is required to operate reliably in harsh industrial environments. The device can meet the transient immunity requirements as specified in IEC 61131-2, including Electrostatic Discharge (ESD) per IEC 61000-4-2, Electrical Fast Transient/Burst (EFT) per IEC 61000-4-4, and Surge Immunity per IEC 61000-4-5. Maxim's proprietary process technology provides robust input channels and field supply with internal ESD structures and high Absolute Maximum Ratings (see the [Absolute Maximum Ratings](#) section), but external components are also required to absorb excessive energy from ESD and surge transients. The circuit with external components shown in [Figure 5](#) allows the device to meet and exceed the transient immunity requirements as specified in IEC 61131-2 and related IEC 61000-4-x standards. The system shown in [Figure 5](#), using the components shown in [Table 1](#), is designed to be robust against ESD, EFT, and Surge specifications as listed in [Table 2](#). In all these tests, the part or DUT is soldered onto a properly designed application board (e.g., the MAX22195EVKIT#) with necessary external components.

Table 1. Recommended Components for EMC compliance

COMPONENT	DESCRIPTION	REQUIRED/RECOMMENDED
C1	$1\mu\text{F}$, 100V ceramic capacitor	Required
C2	$0.1\mu\text{F}$, 100V low-ESR ceramic capacitor	Required
C3	$1\mu\text{F}$, 10V ceramic capacitor	Required
C4	$0.1\mu\text{F}$, 10V low-ESR ceramic capacitor	Required
C5	3.3nF, safety rated Y capacitor (2220)	Recommended
D1	Unidirectional TVS diode SMBJ33A (42 Ω) or SM30T39AY (2 Ω)	Recommended
R1	1.5k Ω or 1k Ω , 1W pulse withstanding resistor (CMB0207 or similar)	Required
All other Resistors	0603, 0.1W resistors	Required
All LEDs	LEDs for visual input status indication	Recommended

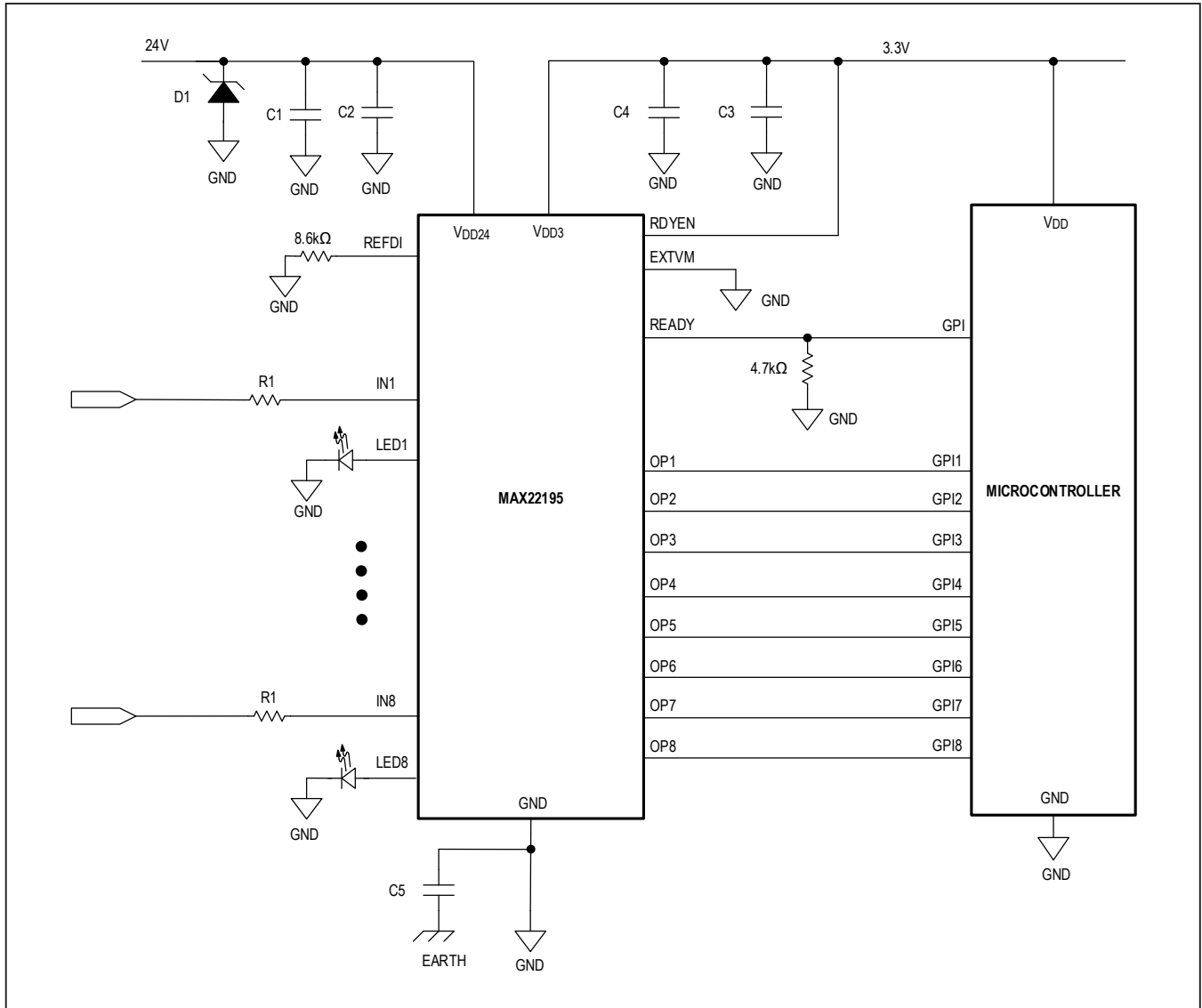


Figure 5. Typical EMC Protection Circuit for the MAX22195

ESD Protection of Field Inputs

The input resistor limits the energy into the MAX22195 IN_ pins and protects the internal ESD structure from excessive transient energy. An input series resistor is required and should be rated to withstand such ESD levels. The MAX22195 input channels can withstand up to ±8kV ESD contact discharge and ±15kV ESD air-gap discharge with an input series resistor of 1kΩ or larger. The input resistor value shifts the field voltage switching threshold scaled by the input current; thus, it determines the input characteristics of the application. The package of the resistor should be large enough to prevent the arcing across the two resistor pads. Arcing depends on the ESD level applied to the field input and the application pollution degree.

EFT Protection of Field Inputs

The input channels can withstand up to ±2kV, 5kHz, or 100kHz fast transients (Figure 7) with performance criterion A, normal operation within specification limits. The MAX22195 outputs OP1–OP8 and READY signal operate as normal without any loss of function or performance. With EFT levels up to ±4kV, outputs OP1–OP8 still operate as normal, but the READY signal is corrupted; thus, giving a criterion B performance with temporary degradation of the READY function.

A capacitive coupling clamp is used to couple the fast transients (burst) from the EFT generator to the field

inputs of the MAX22195 without any galvanic connection to the MAX22195 input pins.

Surge Protection of Field Inputs

In order to protect the IN_ pins against 1kV/42Ω, 1.2/50μs surges (Figure 8 and Figure 9), two options exist. The first option is to use a series pulse-withstanding resistor as shown in the various application diagrams in the data sheet. A pulse resistor greater or equal to 1kΩ should be used for safe operation. The pulse resistor should support dissipation of the surge energy. Examples of suitable resistors are CMB0207 MELF or CRCW-IF thick film as well as others. The resistor value is defined by the Type 1, 2, 3, or other input characteristics. Capacitors for filtering should not be connected to the IN_ pins.

The second option, which can result in a smaller overall footprint, is to use a bidirectional TVS to GND at the field input with a low-power series resistor, greater or equal to 1kΩ. The TVS must be able to absorb the surge energy and has the function of limiting the peak voltage so that the resistor only sees a low differential voltage. Suitable TVS with a small footprint are SPT02-236 or PDFN3-32, offering protection against 1kV/42Ω surge.

Surge Protection of 24V Supply

In order to protect the V_{DD24} pin against 500V/42Ω, 1.2/50μs surges (Figure 8), a SMBJ33A TVS can be applied to the V_{DD24} pin.

Table 2. Transient Immunity Test Results

TEST		RESULT	
IEC 61000-4-2 Electrostatic Discharge (ESD)	Contact ESD	±8kV	
	Air-Gap ESD	±15kV	
IEC 61000-4-4 Electrical Fast Transient / Burst (EFT)	Line-to-Ground	±2kV	READY and OP1-OP8 operate without degradation of performance
		±4kV	OP1-OP8 operate without degradation of performance; READY signal is corrupted
IEC 61000-4-5 Surge Immunity	Line-to-Ground	±1kV	
	Line-to-Line	±2kV	
	Power Supply	±500V	

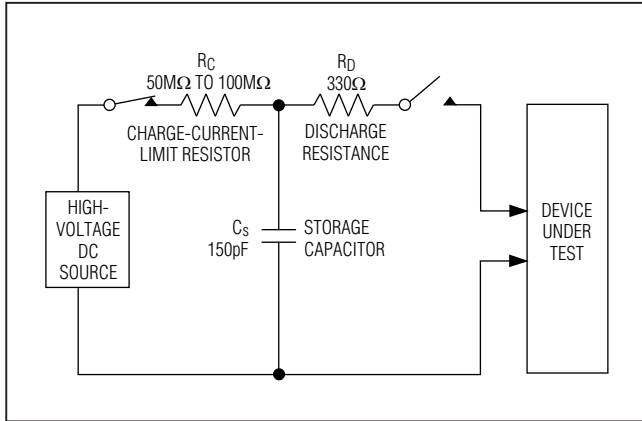


Figure 6a. Test Circuit

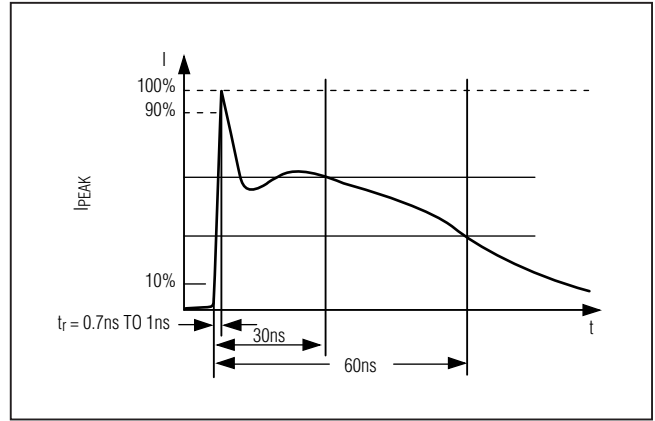


Figure 6b. Test Waveform

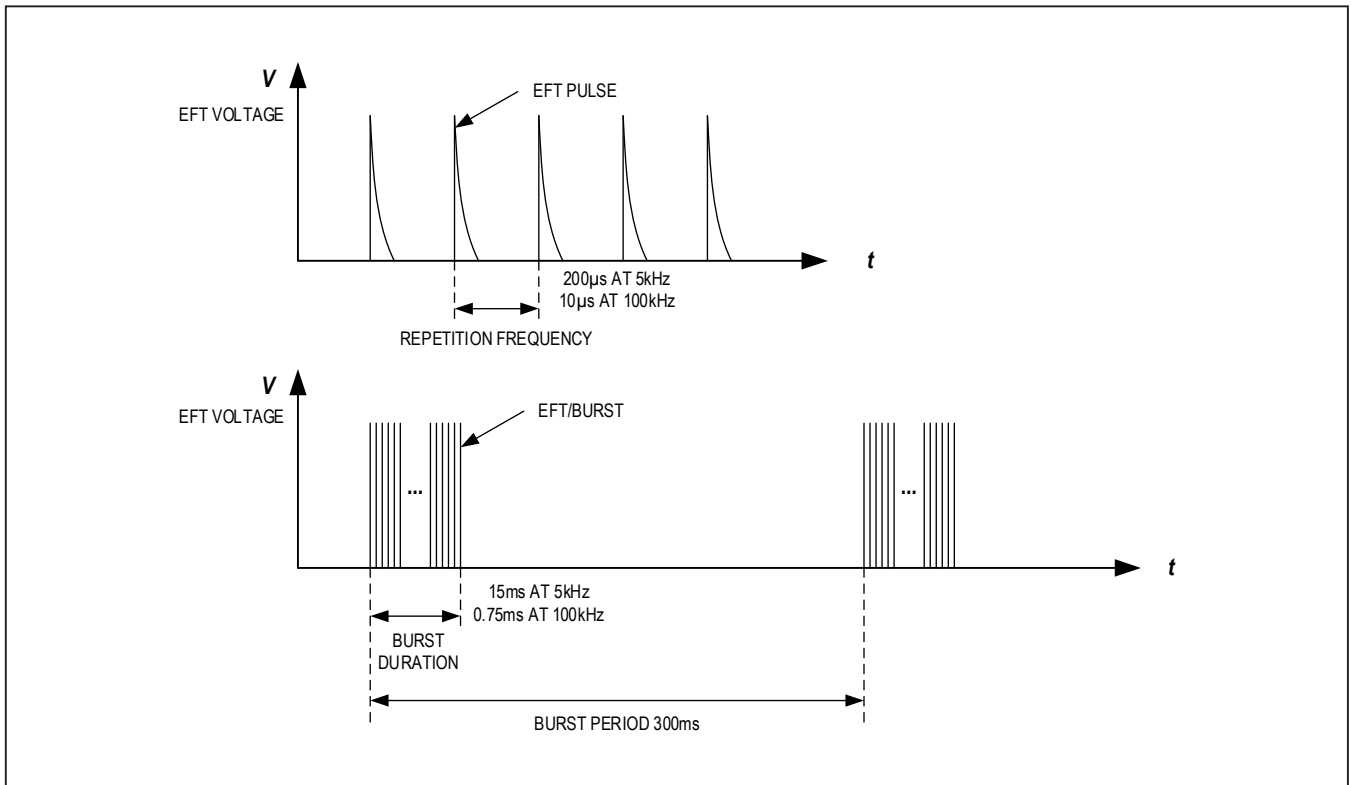


Figure 7. Electrical Fast Transient/Burst Waveform

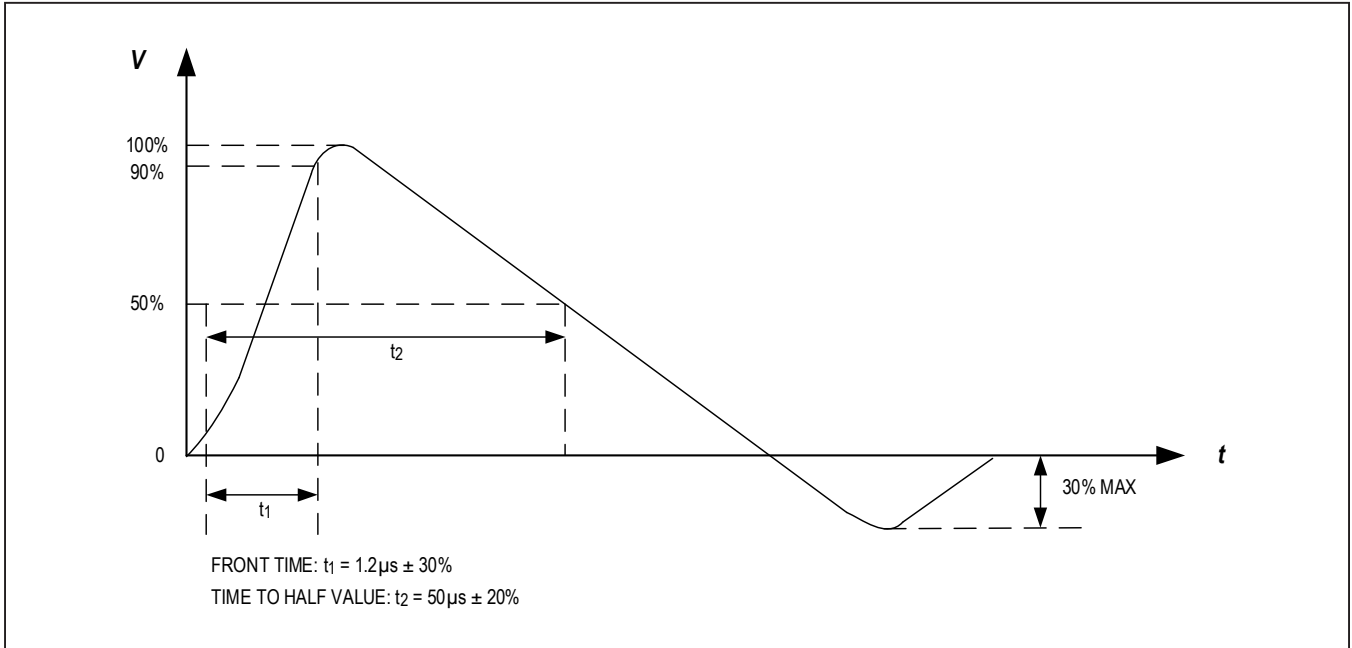


Figure 8. 1.2/50µs Surge Voltage Waveform

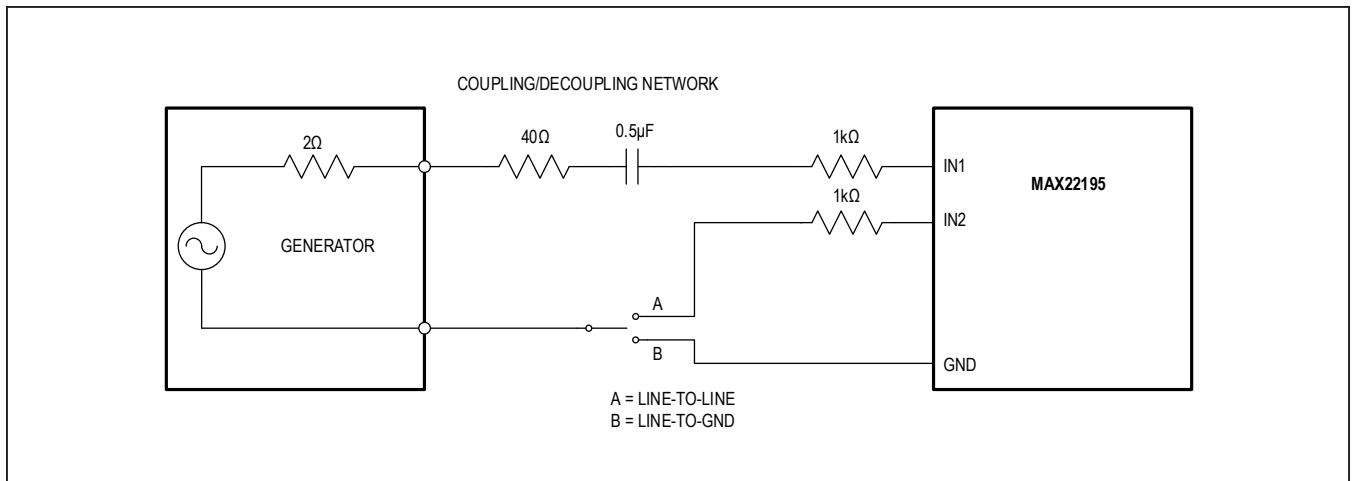
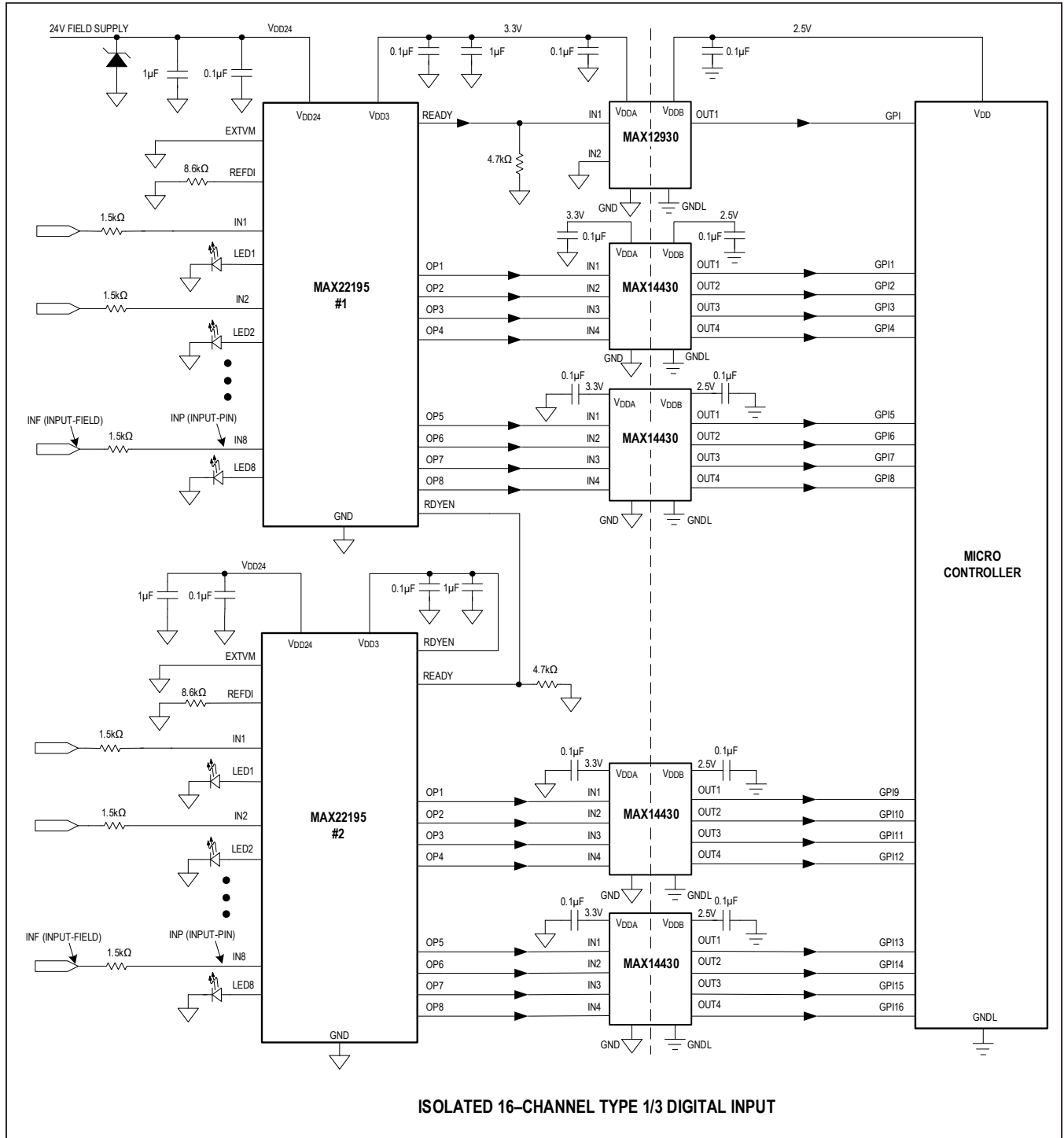
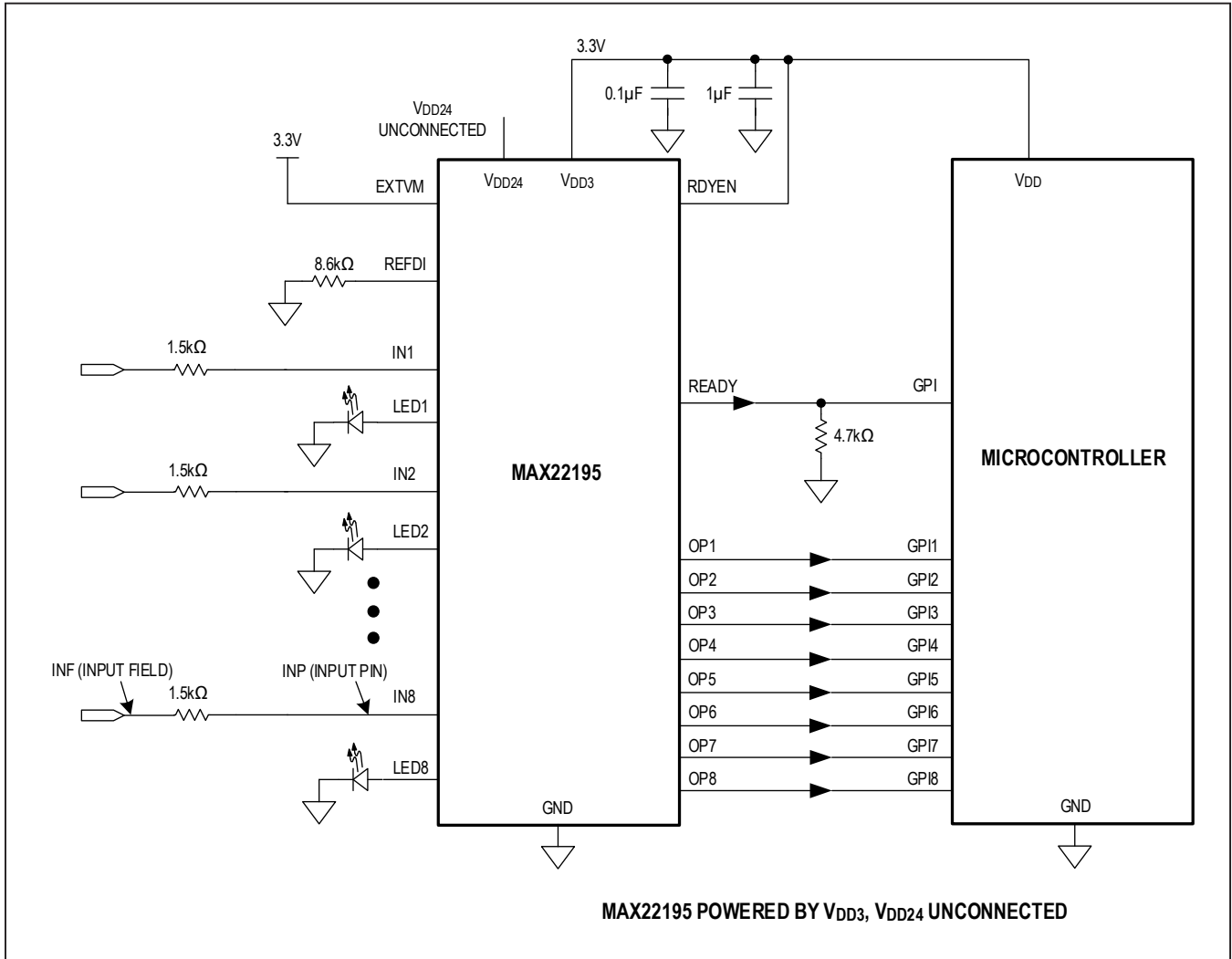


Figure 9. Surge Testing Method

Typical Application Circuits



Typical Application Circuits (continued)



Ordering Information

PART	TEMP RANGE	PIN-PACKAGE
MAX22195ATJ+	-40°C to +125°C	32-TQFN

+Denotes a lead(Pb)-free/RoHS-compliant package.

Chip Information

PROCESS: BiCMOS