



±15kV ESD-Protected, 10Mbps, 3V/5V, Low-Power Quad RS-422/RS-485 Receivers

General Description

The MAX3093E/MAX3094E are rugged, low-power, quad, RS-422/RS-485 receivers featuring electrostatic discharge (ESD) protection for use in harsh environments. All receiver inputs are protected to ±15kV using IEC 1000-4-2 Air-Gap Discharge, ±8kV using IEC 1000-4-2 Contact Discharge, and ±15kV using the Human Body Model. The MAX3093E operates from a +5V supply, while the MAX3094E operates from a +3.3V supply. Receiver propagation delays are guaranteed to within ±8ns of a predetermined value, thereby ensuring device-to-device matching across production lots.

The devices feature a 1nA low-power shutdown mode in which the receiver outputs are high impedance. When active, these receivers have a fail-safe feature that guarantees a logic-high output if the input is open circuit. They also have a quarter-unit-load input impedance that allows 128 receivers on a bus.

The MAX3093E/MAX3094E are pin-compatible, low-power upgrades to the industry-standard '34C86. They are available in space-saving TSSOP, narrow SO, and PDIP packages.

Applications

Telecommunications Equipment
Rugged RS-422/RS-485/RS-423 Bus Receiver
Receivers for ESD-Sensitive Applications
Level Translators

Functional Diagram



Features

- ◆ ESD Protection
 - ±15kV—IEC 1000-4-2 Air-Gap Discharge
 - ±8kV—IEC 1000-4-2 Contact Discharge
 - ±15kV—Human Body Model
- ◆ Guaranteed Propagation-Delay Tolerance Between All ICs
 - ±8ns (MAX3093E)
 - ±10ns (MAX3094E)
- ◆ Single +3V Operation (MAX3094E)
Single +5V Operation (MAX3093E)
- ◆ 16-Pin TSSOP
- ◆ 10Mbps Data Rate
- ◆ Allow up to 128 Receivers on the Bus
- ◆ 1nA Low-Power Shutdown Mode
- ◆ 2.4mA Operating Supply Current
- ◆ Pin-Compatible Upgrades to '34C86

Ordering Information

| PART | TEMP RANGE | PIN-PACKAGE |
|--------------|----------------|----------------|
| MAX3093ECUE | 0°C to +70°C | 16 TSSOP |
| MAX3093ECSE | 0°C to +70°C | 16 Narrow SO |
| MAX3093ECEPE | 0°C to +70°C | 16 Plastic DIP |
| MAX3093EEUE | -40°C to +85°C | 16 TSSOP |
| MAX3093EESE | -40°C to +85°C | 16 Narrow SO |
| MAX3093EEPE | -40°C to +85°C | 16 Plastic DIP |
| MAX3094ECUE | 0°C to +70°C | 16 TSSOP |
| MAX3094ECSE | 0°C to +70°C | 16 Narrow SO |
| MAX3094ECEPE | 0°C to +70°C | 16 Plastic DIP |
| MAX3094EEUE | -40°C to +85°C | 16 TSSOP |
| MAX3094EESE | -40°C to +85°C | 16 Narrow SO |
| MAX3094EEPE | -40°C to +85°C | 16 Plastic DIP |

Pin Configuration



±15kV ESD-Protected, 10Mbps, 3V/5V, Low-Power Quad RS-422/RS-485 Receivers

ABSOLUTE MAXIMUM RATINGS

| | |
|---|-----------------------------------|
| Supply Voltage (V _{CC}) | +7V |
| Control Input Voltage (ENAC, ENBD) | -0.3V to (V _{CC} + 0.3V) |
| Receiver Input Voltage (I ₊ , I ₋) | ±25V |
| Receiver Output Voltage (Y ₋) | -0.3V to (V _{CC} + 0.3V) |
| Output Short-Circuit Duration (Y ₋ , one output) | Continuous |
| Continuous Power Dissipation (T _A = +70°C) | |
| TSSOP (derate 9.4mW/°C above +70°C) | 755mW |
| SO (derate 8.7mW/°C above +70°C) | 696mW |
| Plastic DIP (derate 10.5mW/°C above +70°C) | 762mW |

Operating Temperature Ranges

| | |
|-----------------------------------|-----------------|
| MAX309_EC_ | 0°C to +70°C |
| MAX309_EE_ | -40°C to +85°C |
| Junction Temperature | +150°C |
| Storage Temperature Range | -65°C to +160°C |
| Lead Temperature (soldering, 10s) | +300°C |

Stresses beyond those listed under "Absolute Maximum Ratings" may cause permanent damage to the device. These are stress ratings only, and functional operation of the device at these or any other conditions beyond those indicated in the operational sections of the specifications is not implied. Exposure to absolute maximum rating conditions for extended periods may affect device reliability.

DC ELECTRICAL CHARACTERISTICS—MAX3093E

(V_{CC} = +5V ±5%, T_A = T_{MIN} to T_{MAX}, unless otherwise noted. Typical values are at V_{CC} = +5.0V, T_A = +25°C.) (Note 1)

| PARAMETER | SYMBOL | CONDITIONS | MIN | TYP | MAX | UNITS |
|---|------------------|--|-----------------------|-------|------|-------|
| Receiver Differential Input Threshold | V _{TH} | -7V ≤ V _{CM} ≤ 12V | -200 | | 200 | mV |
| Receiver Input Hysteresis | | V _{CM} = 0 | | 45 | | mV |
| Receiver Input Current (I ₊ , I ₋) | I _{IN} | V _{CC} = 0 or 5.25V | | | 250 | μA |
| | | V _{IN} = 12V | | | -200 | |
| Enable Input Current (ENAC/ENBD) | | | | | ±1 | μA |
| Enable Input High Voltage (ENAC/ENBD) | V _{IH} | | 2.0 | | | V |
| Enable Input Low Voltage (ENAC/ENBD) | V _{IL} | | | | 0.8 | V |
| Receiver Output High Voltage | V _{OH} | I _{OUT} = -4mA, V _{ID} = 200mV, output enabled, Figure 1 | V _{CC} - 1.5 | | | V |
| Receiver Output Low Voltage | V _{OL} | I _{OUT} = 4mA, V _{ID} = -200mV, output enabled, Figure 1 | | | 0.4 | V |
| Three-State Current at Receiver Output | I _{OZR} | 0 ≤ V _{OUT} ≤ V _{CC} , output disabled | | | ±1 | μA |
| Output Short-Circuit Current | I _{OSR} | 0 ≤ V _{OUT} ≤ V _{CC} , output enabled | ±7 | | ±75 | mA |
| Receiver Input Resistance | R _{IN} | -7V ≤ V _{CM} ≤ 12V | 48 | | | kΩ |
| Supply Current | I _{CC} | No load, output enabled | | 2.4 | 3.5 | mA |
| | | Output disabled | | 0.001 | 10 | μA |
| ESD Protection (Note 2) | | Human Body Model | | ±15 | | kV |
| | | IE C1000-4-2 Air-Gap Discharge | | ±15 | | |
| | | IE C1000-4-2 Contact Discharge | | ±8 | | |

±15kV ESD-Protected, 10Mbps, 3V/5V, Low-Power Quad RS-422/RS-485 Receivers

MAX3093E/MAX3094E

SWITCHING CHARACTERISTICS—MAX3093E

(V_{CC} = +5V ±5%, T_A = T_{MIN} to T_{MAX}, unless otherwise noted. Typical values are at V_{CC} = +5.0V, T_A = +25°C.)

| PARAMETER | SYMBOL | CONDITIONS | | MIN | TYP | MAX | UNITS | |
|---|-------------------------------------|--|--|------------------------|-----|-----|-------|----|
| Input-to-Output Propagation Delay | t _{PLH} , t _{PHL} | V _{ID} = 3V, Figure 2 | V _{CC} = +5V ±5%, T _A = T _{MIN} to T _{MAX} | 65 | | 98 | ns | |
| | | | V _{CC} = 5.25V | T _A = +85°C | 78 | 86 | | 94 |
| | | | | T _A = +70°C | 76 | | | 92 |
| | | | | T _A = +25°C | 71 | 79 | | 87 |
| | | | | T _A = -40°C | 65 | 73 | | 81 |
| | | | V _{CC} = 4.75V | T _A = +85°C | 82 | 90 | | 98 |
| | | | | T _A = +70°C | 80 | | | 96 |
| | | | | T _A = +25°C | 74 | 82 | | 90 |
| T _A = -40°C | 68 | 76 | | 84 | | | | |
| Device-to-Device Propagation-Delay Matching | | V _{ID} = 3V, Figure 2, matched conditions | | | | 16 | ns | |
| Propagation-Delay Skew (t _{PLH} - t _{PHL}) | t _{SK} | Figure 2 | | | -2 | ±10 | ns | |
| Output Enable Time to Low Level | t _{ZL} | Figure 3 | | | 600 | 800 | ns | |
| Output Enable Time to High Level | t _{ZH} | Figure 3 | | | 600 | 800 | ns | |
| Output Disable Time from Low Level | t _{LZ} | Figure 3 | | | 60 | 100 | ns | |
| Output Disable Time from High Level | t _{HZ} | Figure 3 | | | 60 | 100 | ns | |
| Maximum Data Rate | f _{MAX} | | | 10 | | | Mbps | |

DC ELECTRICAL CHARACTERISTICS—MAX3094E

(V_{CC} = +3.0V to +3.6V, T_A = T_{MIN} to T_{MAX}, unless otherwise noted. Typical values are at V_{CC} = +3.3V, T_A = +25°C.) (Note 1)

| PARAMETER | SYMBOL | CONDITIONS | | MIN | TYP | MAX | UNITS |
|---|-----------------|--|-----------------------|-----------------------|-----|------|-------|
| Receiver Differential Input Threshold | V _{TH} | -7V ≤ V _{CM} ≤ 12V | | -200 | | 200 | mV |
| Receiver Input Hysteresis | | V _{CM} = 0 | | | 45 | | mV |
| Receiver Input Current (I ₊ , I ₋) | I _{IN} | V _{CC} = 0 or 3.6V | V _{IN} = 12V | | | 250 | μA |
| | | | V _{IN} = -7V | | | -200 | |
| Enable Input Current (ENAC/ENBD) | | | | | | ±1 | μA |
| Enable Input High Voltage (ENAC/ENBD) | V _{IH} | | | 2.0 | | | V |
| Enable Input Low Voltage (ENAC/ENBD) | V _{IL} | | | | | 0.8 | V |
| Receiver Output High Voltage | V _{OH} | I _{OUT} = -1.5mA, V _{ID} = 200mV, output enabled, Figure 1 | | V _{CC} - 0.4 | | | V |

±15kV ESD-Protected, 10Mbps, 3V/5V, Low-Power Quad RS-422/RS-485 Receivers

DC ELECTRICAL CHARACTERISTICS—MAX3094E (continued)

($V_{CC} = +3.0V$ to $+3.6V$, $T_A = T_{MIN}$ to T_{MAX} , unless otherwise noted. Typical values are at $V_{CC} = +3.3V$, $T_A = +25^\circ C$.) (Note 1)

| PARAMETER | SYMBOL | CONDITIONS | MIN | TYP | MAX | UNITS |
|--|-----------|--|-----|-------|-----|-------|
| Receiver Output Low Voltage | V_{OL} | $I_{OUT} = 2.5mA$, $V_{ID} = -200mV$, output enabled, Figure 1 | | | 0.4 | V |
| Three-State Current at Receiver Output | I_{OZR} | $0 \leq V_{OUT} \leq V_{CC}$, output disabled | | | ±1 | µA |
| Output Short-Circuit Current | I_{OSR} | $0 \leq V_{OUT} \leq V_{CC}$, output enabled | ±4 | | ±60 | mA |
| Receiver Input Resistance | R_{IN} | $-7V \leq V_{CM} \leq 12V$ | 48 | | | kΩ |
| Supply Current | I_{CC} | No load, outputs enabled | | 2.4 | 4.0 | mA |
| | | Outputs disabled | | 0.001 | 10 | µA |
| ESD Protection (Note 2) | | Human Body Model | | ±15 | | kV |
| | | IEC 1000-4-2 Air-Gap Discharge | | ±15 | | |
| | | IEC 1000-4-2 Contact Discharge | | ±8 | | |

SWITCHING CHARACTERISTICS—MAX3094E

($V_{CC} = +3.0V$ to $+3.6V$, $T_A = T_{MIN}$ to T_{MAX} , unless otherwise noted. Typical values are at $V_{CC} = +3.3V$, $T_A = +25^\circ C$.)

| PARAMETER | SYMBOL | CONDITIONS | MIN | TYP | MAX | UNITS | | |
|--|-----------------------|--|---|---------------------|---------------------|-------|-----|----|
| Input-to-Output Propagation Delay | t_{PLH} , t_{PHL} | $ V_{ID} = 3V$, Figure 2 | $V_{CC} = +3.3V \pm 5\%$, $T_A = T_{MIN}$ to T_{MAX} | | | 69 | 123 | ns |
| | | | | $V_{CC} = 3.60V$ | $T_A = +85^\circ C$ | 88 | 98 | |
| | | | $T_A = +70^\circ C$ | | 86 | | 106 | |
| | | | $V_{CC} = 3.00V$ | $T_A = +25^\circ C$ | 78 | 88 | 98 | |
| | | $T_A = -40^\circ C$ | | 69 | 79 | 89 | | |
| | | $T_A = +85^\circ C$ | | 103 | 113 | 123 | | |
| | | $T_A = +70^\circ C$ | | 100 | | 120 | | |
| | | | | | $T_A = +25^\circ C$ | 91 | 101 | |
| $T_A = -40^\circ C$ | 82 | | | | 92 | 102 | | |
| Device-to-Device Propagation-Delay Matching | | $ V_{ID} = 3V$, Figure 2, matched conditions | | | 20 | ns | | |
| Propagation-Delay Skew ($t_{PLH} - t_{PHL}$) | t_{SK} | Figure 2 | | -1 | ±10 | ns | | |
| Output Enable Time to Low Level | t_{ZL} | Figure 3 | | 600 | 1000 | ns | | |
| Output Enable Time to High Level | t_{ZH} | Figure 3 | | 600 | 1000 | ns | | |
| Output Disable Time from Low Level | t_{LZ} | Figure 3 | | 80 | 180 | ns | | |
| Output Disable Time from High Level | t_{HZ} | Figure 3 | | 80 | 180 | ns | | |
| Maximum Data Rate | f_{MAX} | | 10 | | | Mbps | | |

Note 1: All currents into the device are positive; all currents out of the device are negative. All voltages are referred to device ground, unless otherwise noted.

Note 2: Receiver inputs ($_+$, $_-$).

±15kV ESD-Protected, 10Mbps, 3V/5V, Low-Power Quad RS-422/RS-485 Receivers

Typical Operating Characteristics

($V_{CC} = +5V$ for MAX3093E, $V_{CC} = +3.3V$ for MAX3094E, $T_A = +25^\circ C$, unless otherwise noted.)

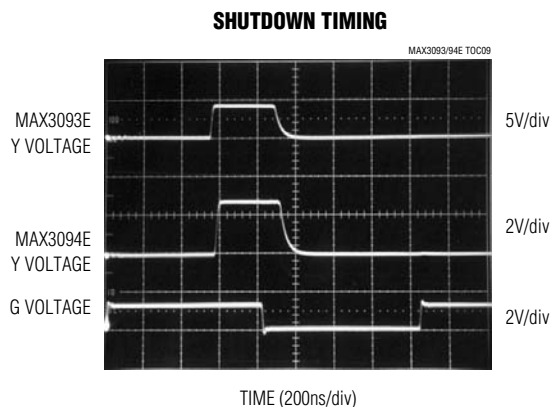
MAX3093E/MAX3094E



±15kV ESD-Protected, 10Mbps, 3V/5V, Low-Power Quad RS-422/RS-485 Receivers

Typical Operating Characteristics (continued)

(V_{CC} = +5V for MAX3093E, V_{CC} = +3.3V for MAX3094E, T_A = +25°C, unless otherwise noted.)



CIRCUIT OF FIGURE 3,
S1 OPEN, S2 CLOSED, S3 = 1V

Pin Description

| PIN | NAME | FUNCTION |
|-----|-----------------|--|
| 1 | A- | Inverting Receiver A Input |
| 2 | A+ | Noninverting Receiver A Input |
| 3 | YA | Receiver A Output. Enabled when ENAC = high. YA will be logic high if A+ > A- by 200mV, and low if A+ < A- by 200mV. It will be logic high if A+ and A- remain floating. Otherwise, the state is undetermined. YA goes high impedance when ENAC = low. |
| 4 | ENAC | Receiver Output A and C Enable High. A logic high on this input enables receivers A and C. |
| 5 | YC | Receiver C Output. Same functionality as YA. |
| 6 | C+ | Noninverting Receiver C Input |
| 7 | C- | Inverting Receiver C Input |
| 8 | GND | Ground |
| 9 | D- | Inverting Receiver D Input |
| 10 | D+ | Noninverting Receiver D Input |
| 11 | YD | Receiver D Output. Enabled when ENBD = high. YD will be logic high if D+ > D- by 200mV, and low if D+ < D- by 200mV. It will be a logic high if D+ and D- remain floating. Otherwise, the state is undetermined. YD goes high impedance when ENBD = low. |
| 12 | ENBD | Receiver Output B and D Enable High. A logic high on this input enables receivers B and D. |
| 13 | YB | Receiver B Output. Same functionality as YD. |
| 14 | B+ | Noninverting Receiver B Input |
| 15 | B- | Inverting Receiver B Input |
| 16 | V _{CC} | Positive Supply |

±15kV ESD-Protected, 10Mbps, 3V/5V, Low-Power Quad RS-422/RS-485 Receivers

MAX3093E/MAX3094E



Figure 1. Receiver V_{OH} and V_{OL}



Figure 2. Receiver Propagation Delay



Figure 3. Receiver Enable and Disable Times

±15kV ESD-Protected, 10Mbps, 3V/5V, Low-Power Quad RS-422/RS-485 Receivers

Detailed Description

±15kV ESD Protection

As with all Maxim devices, ESD-protection structures are incorporated on all pins to protect against ESDs encountered during handling and assembly. The MAX3093E/MAX3094E receiver inputs have extra protection against static electricity found in normal operation. Maxim's engineers have developed state-of-the-art structures to protect these pins against ±15kV ESD without damage. After an ESD event, the MAX3093E/MAX3094E continue working without latchup.

ESD protection can be tested in several ways. The receiver inputs are characterized for protection to the following:

- ±15kV using the Human Body Model
- ±8kV using the Contact Discharge Method specified in IEC 1000-4-2 (formerly IEC 801-2)
- ±15kV using the Air-Gap Method specified in IEC 1000-4-2 (formerly IEC 801-2)

ESD Test Conditions

ESD performance depends on a number of conditions. Contact Maxim for a reliability report that documents test setup, methodology, and results.

Human Body Model

Figure 4a shows the Human Body Model, and Figure 4b shows the current waveform it generates when discharged into a low impedance. This model consists of a 100pF capacitor charged to the ESD voltage of interest, which is then discharged into the device through a 1.5kΩ resistor.

IEC 1000-4-2

Since January 1996, all equipment manufactured and/or sold in the European community has been required to meet the stringent IEC 1000-4-2 specification. The IEC 1000-4-2 standard covers ESD testing and performance of finished equipment; it does not specifically refer to integrated circuits. The MAX3093E/MAX3094E help you design equipment that meets Level 4 (the highest level) of IEC 1000-4-2, without additional ESD-protection components.

The main difference between tests done using the Human Body Model and IEC 1000-4-2 is higher peak current in IEC 1000-4-2. Because series resistance is lower in the IEC 1000-4-2 ESD test model (Figure 5a), the ESD-withstand voltage measured to this standard is generally lower than that measured using the Human Body Model. Figure 5b shows the current waveform for the ±8kV IEC 1000-4-2 Level 4 ESD Contact Discharge test. The Air-Gap test involves approaching the device with a charge probe. The Contact-Discharge method connects the probe to the device before the probe is energized.

Machine Model

The Machine Model for ESD testing uses a 200pF storage capacitor and zero-discharge resistance. It mimics the stress caused by handling during manufacturing and assembly. All pins (not just RS-485 inputs) require this protection during manufacturing. Therefore, the Machine Model is less relevant to the I/O ports than are the Human Body Model and IEC 1000-4-2.

Low-Power Shutdown Mode

The function tables show the functionality of the enable inputs. The MAX3093E/MAX3094E enter shutdown when ENAC and ENBD are low. In shutdown, all outputs go high impedance and the devices typically draw less than 1nA. The devices exit shutdown by taking either ENAC or ENBD high. The typical shutdown exit time is 600ns.

Function Tables

| ENAC | ENBD | (IN+ - IN-) | OUTPUT YA OR YC | DEVICE MODE |
|------|------|-------------|-----------------|-------------|
| 1 | X | ≥ 200mV | 1 | On |
| 1 | X | ≤ -200mV | 0 | On |
| 1 | X | Open | 1 | On |
| 0 | 1 | X | High-Z | On |
| 0 | 0 | X | High | Shutdown |

| ENBD | ENAC | (IN+ - IN-) | OUTPUT YB OR YD | DEVICE MODE |
|------|------|-------------|-----------------|-------------|
| 1 | X | ≥ 200mV | 1 | On |
| 1 | X | ≤ -200mV | 0 | On |
| 1 | X | Open | 1 | On |
| 0 | 1 | X | High-Z | On |
| 0 | 0 | X | High-Z | Shutdown |

X = don't care, High-Z = high impedance

±15kV ESD-Protected, 10Mbps, 3V/5V, Low-Power Quad RS-422/RS-485 Receivers

MAX3093E/MAX3094E



Figure 4a. Human Body ESD Test Model



Figure 5a. IEC 1000-4-2 ESD Test Model



Figure 4b. Human Body Model Current Waveform



Figure 5b. IEC 1000-4-2 ESD-Generator Current Waveform

$\pm 15\text{kV}$ ESD-Protected, 10Mbps, 3V/5V, Low-Power Quad RS-422/RS-485 Receivers

Applications Information

Propagation-Delay Matching

The MAX3093E/MAX3094E exhibit propagation delays that are closely matched from one device to another, even between devices from different production lots. This feature allows multiple data lines to receive data and clock signals with minimal skewing with respect to each other. The MAX3093E receiver propagation delays are trimmed to a predetermined value $\pm 8\text{ns}$, while the MAX3094E delays are trimmed to a predetermined value $\pm 10\text{ns}$.

128 Receivers on the Bus

The standard RS-485 input impedance is $12\text{k}\Omega$ (one-unit load). The standard RS-485 transmitter can drive 32 unit loads. The MAX3093E/MAX3094E present a 1/4-unit-load input impedance ($48\text{k}\Omega$), which allows up to 128 receivers on a bus. Any combination of these RS-485 receivers with a total of 32-unit loads can be connected to the same bus.

Fail-Safe Implementation

The MAX3093E/MAX3094E receiver inputs guarantee a logic high output when the inputs are open circuit (no termination resistor used). This occurs when the transmitter is removed from the bus or when all transmitter outputs are high impedance. However, when the line is terminated and the transmitters are disabled, the differential voltage between the $_+$ and $_-$ inputs falls below the $\pm 200\text{mV}$ RS-485 sensitivity threshold. Consequently, the outputs become undefined. To maintain a fail-safe receiver output while using a terminating resistor, input $_+$ must be biased at least 200mV above input $_-$. The resistor-divider network shown in Figure 6 is recommended.

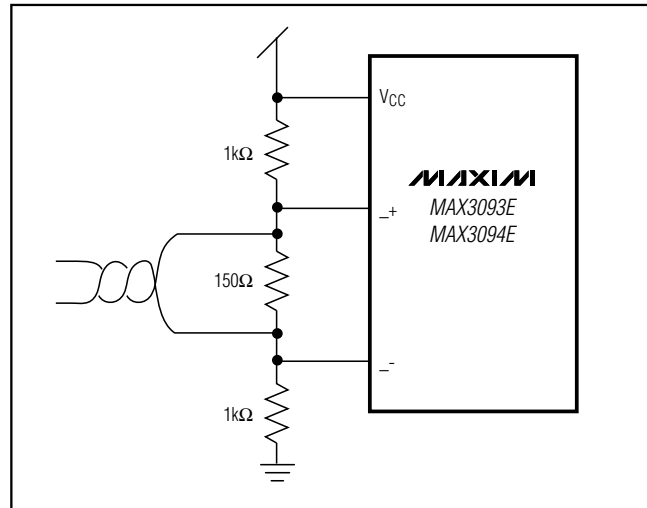


Figure 6. External Fail-Safe Implementation

Chip Information

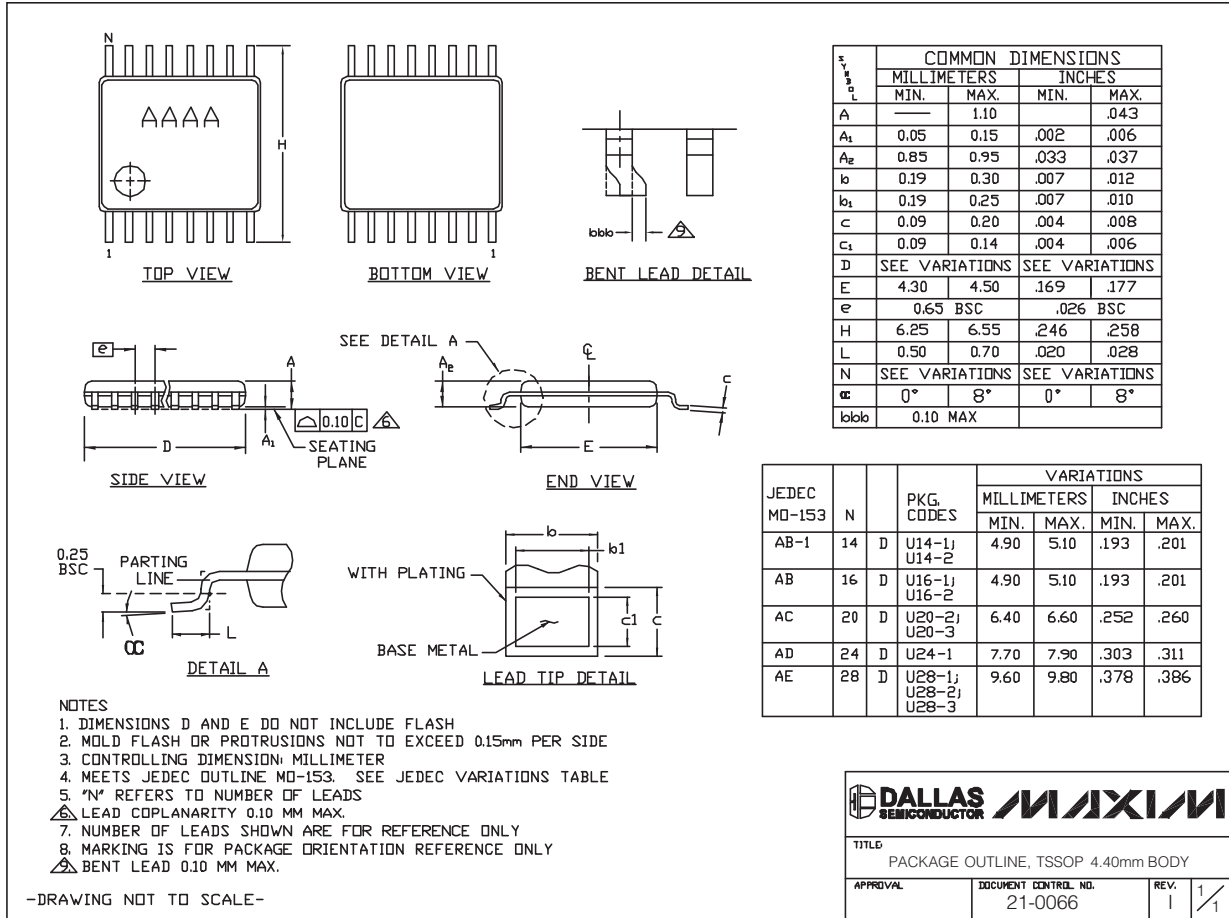
TRANSISTOR COUNT: 676

±15kV ESD-Protected, 10Mbps, 3V/5V, Low-Power Quad RS-422/RS-485 Receivers

Package Information

(The package drawing(s) in this data sheet may not reflect the most current specifications. For the latest package outline information, go to www.maxim-ic.com/packages.)

MAX3093E/MAX3094E



±15kV ESD-Protected, 10Mbps, 3V/5V, Low-Power Quad RS-422/RS-485 Receivers

Package Information (continued)

(The package drawing(s) in this data sheet may not reflect the most current specifications. For the latest package outline information, go to www.maxim-ic.com/packages.)



TOP VIEW



FRONT VIEW



SIDE VIEW


NOTES:

1. D&E DO NOT INCLUDE MOLD FLASH.
2. MOLD FLASH OR PROTRUSIONS NOT TO EXCEED 0.15mm (.006").
3. LEADS TO BE COPLANAR WITHIN 0.10mm (.004").
4. CONTROLLING DIMENSION: MILLIMETERS.
5. MEETS JEDEC MS012.
6. N = NUMBER OF PINS.

| DIM | INCHES | | MILLIMETERS | |
|-----|-----------|-------|-------------|------|
| | MIN | MAX | MIN | MAX |
| A | 0.053 | 0.069 | 1.35 | 1.75 |
| A1 | 0.004 | 0.010 | 0.10 | 0.25 |
| B | 0.014 | 0.019 | 0.35 | 0.49 |
| C | 0.007 | 0.010 | 0.19 | 0.25 |
| e | 0.050 BSC | | 1.27 BSC | |
| E | 0.150 | 0.157 | 3.80 | 4.00 |
| H | 0.228 | 0.244 | 5.80 | 6.20 |
| L | 0.016 | 0.050 | 0.40 | 1.27 |

VARIATIONS:

| DIM | INCHES | | MILLIMETERS | | N | MS012 |
|-----|--------|-------|-------------|-------|----|-------|
| | MIN | MAX | MIN | MAX | | |
| D | 0.189 | 0.197 | 4.80 | 5.00 | 8 | AA |
| D | 0.337 | 0.344 | 8.55 | 8.75 | 14 | AB |
| D | 0.386 | 0.394 | 9.80 | 10.00 | 16 | AC |



PROPRIETARY INFORMATION

TITLE:
PACKAGE OUTLINE, .150" SOIC

| | | |
|----------|--|-------------------|
| APPROVAL | DOCUMENT CONTROL NO. 21-0041 | REV: B 1/1 |
|----------|--|-------------------|

SOICN .EPS