

# MAX31910

# Ultra-Low Power Industrial, Octal, Digital Input Translator/Serializer

## General Description

The MAX31910 industrial interface serializer translates, conditions, and serializes the 24V digital output of sensors and switches used in industrial, process, and building automation to 5V CMOS-compatible signals required by microcontrollers. It provides the front-end interface circuit of a programmable logic controller (PLC) digital input module.

The device features integrated current limiting, lowpass filtering, and channel serialization. Input current limiting allows a significant reduction in power consumed from the field voltage supply as compared to traditional discrete resistor-divider implementations. In addition, to achieve the lowest in-class power dissipation, the device uses patent-pending circuit techniques to achieve further reduction of power beyond what is possible by input current limiting alone.

Selectable on-chip lowpass filters allow flexible debouncing and filtering of sensor outputs based on the application. On-chip serialization allows a drastic reduction in the number of optocouplers used for isolation. The device serializer is stackable so that any number of input channels can be serialized and output through only one SPI-compatible port. This reduces the number of optocouplers needed to only three, regardless of the number of input channels.

For enhanced robustness with respect to high-frequency noise and fast electrical transients, a multibit CRC code is generated and transmitted through the SPI port for each 8 bits of data. The on-chip 5V voltage regulator can be used to power external optocouplers, digital isolators, or other external 5V circuitry.

For low-cost applications, Maxim Integrated offers a pin-compatible version of this device, the MAX31911. The MAX31911 does not include the patent-pending current clamp-switching circuitry that is included with the MAX31910.

The MAX31912 and MAX31913 versions includes energy-less LED drivers while maintaining pin compatibility.

## Benefits and Features

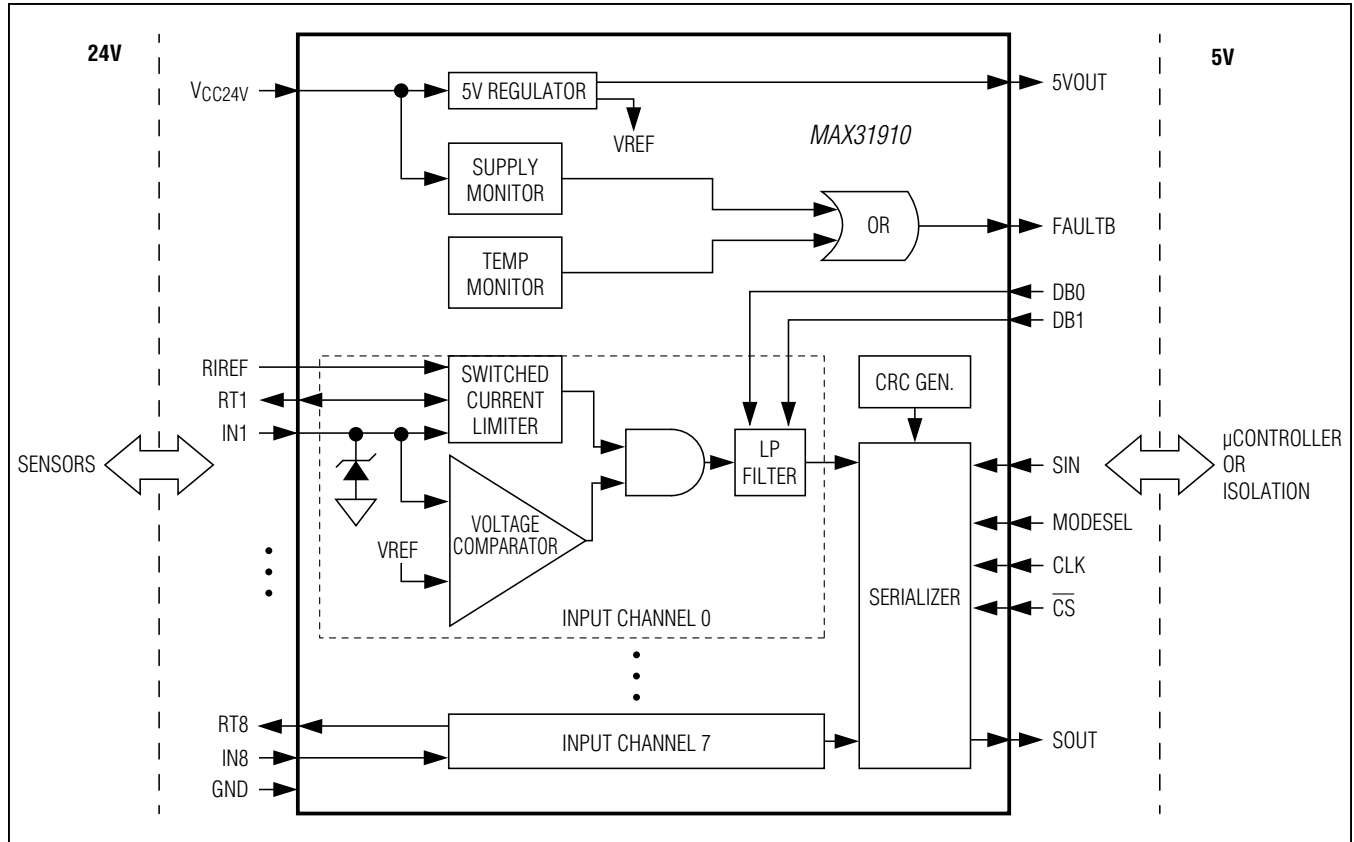
- Ultra-Low Power and Heat Dissipation
  - Low Quiescent Current (1.4mA typ)
  - Highly Accurate and Stable Input Current Limiters, Adjustable from 0.5mA to 6mA
  - Special (Patent-Pending) Ultra-Low-Power Mode with Switched Current Limiters
- High Integration Reduces BOM Count, Board Size, and System Cost
  - 8 High-Voltage Input Channels (36V max)
  - On-Chip 8-1 Serialization with SPI Interface
  - On-Chip 5V Regulator
  - On-Chip Overtemperature Indicator
  - On-Chip Field Supply Voltage Monitor
  - Integrated Debounce Filters, Selectable from 0 to 3ms
- Robust Features and Performance for Industrial Environments
  - Multibit CRC Code Generation and Transmission for Error Detection and More Reliable Data Transmission
  - High ESD Immunity on All Field Input Pins
- Accepts Industry Standard Input Types
  - Configurable for IEC 61131-2 Input Types 1, 2, and 3
- Flexible Power Supply Capability Enables Usage in 5V, 12V, 24V, and Higher Voltage Systems
  - Wide Operating Field Supply Range of 7V to 36V
  - Can Be Powered From the Logic-Side Using a 5V Supply

## Applications

- Digital Input Modules for PLCs
- Industrial, Building, and Process Automation
- Motor Control

**Ordering Information appears at end of data sheet.**

Block Diagram



### Absolute Maximum Ratings

(Voltages relative to GND.)

Voltage Range on  $V_{CC24V}$  ..... -0.3V to +45V  
 Voltage Range on IN1–IN8 ..... -0.3V to +45V  
 Voltage Range on IN1–IN8  
 (through 2.2k $\Omega$  resistors) ..... -45V to +45V  
 Voltage Range on DB0/DB1, CLK, SIN,  
 CS, MODESEL ..... -0.3V to ( $V_{5VOUT} + 0.3V$ )  
 Continuous Power Dissipation ( $T_A = +70^\circ\text{C}$ )  
 TSSOP (derate 27mW/ $^\circ\text{C}$  above +70 $^\circ\text{C}$ )..... 2162.2mW

Operating Temperature Range

Ambient Temperature..... -40 $^\circ\text{C}$  to +125 $^\circ\text{C}$   
 Junction Temperature ..... -40 $^\circ\text{C}$  to +150 $^\circ\text{C}$   
 Storage Temperature Range..... -55 $^\circ\text{C}$  to +125 $^\circ\text{C}$   
 Lead Temperature (soldering, 10s) ..... +300 $^\circ\text{C}$   
 Soldering Temperature (reflow) ..... +260 $^\circ\text{C}$

*Stresses beyond those listed under "Absolute Maximum Ratings" may cause permanent damage to the device. These are stress ratings only, and functional operation of the device at these or any other conditions beyond those indicated in the operational sections of the specifications is not implied. Exposure to absolute maximum rating conditions for extended periods may affect device reliability.*

### Package Thermal Characteristics (Note 1)

TSSOP

Junction-to-Ambient Thermal Resistance ( $\theta_{JA}$ ) ..... 37 $^\circ\text{C}/\text{W}$   
 Junction-to-Case Thermal Resistance ( $\theta_{JC}$ )..... 2 $^\circ\text{C}/\text{W}$

**Note 1:** Package thermal resistances were obtained using the method described in JEDEC specification JESD51-7, using a four-layer board. For detailed information on package thermal considerations, refer to [www.maximintegrated.com/thermal-tutorial](http://www.maximintegrated.com/thermal-tutorial).

### Recommended Operating Conditions (Note 2)

PARAMETER	SYMBOL	CONDITIONS	MIN	TYP	MAX	UNITS
Field Supply Voltage	$V_{CC24V}$		7		36	V
Field Inputs Voltage	$V_{INn}$	(Note 3)	-0.3		36	V
Logic Inputs Voltage	$V_{LOGIC}$		0		5.5	V
Current-Limit Setting Resistor	$R_{REF}$			15		k $\Omega$
Field Input Data Rate	$f_{IN}$	(Note 4)		200		kHz

## DC Electrical Characteristics

(V<sub>CC24V</sub> = 7V to 36V, T<sub>J</sub> = -40°C to +150°C, unless otherwise noted.) (Note 2)

PARAMETER	SYMBOL	CONDITIONS	MIN	TYP	MAX	UNITS
Field-Supply Current	I <sub>CC24V</sub>	IN1–IN8 = 24V, 5V <sub>OUT</sub> = open, RT1–RT8 = GND, all logic inputs open		1.4	2.2	mA
Field-Supply UVLO Off/On	V <sub>ONUVLO</sub>			9	10	V
Field-Supply UVLO On/Off	V <sub>OFFUVLO</sub>		7	8		V
Field Input Threshold High-to-Low	V <sub>IN-(INF)</sub>	2.2k $\Omega$ external series resistor	6	7.5		V
Field Input Threshold Low-to-High	V <sub>IN+(INF)</sub>	2.2k $\Omega$ external series resistor (Note 11)		8.5	10	V
Field Input Hysteresis	V <sub>HYS(INF)</sub>	2.2k $\Omega$ external series resistor (Note 11)		1		V
Input Threshold High-to-Low (at IC pin)	V <sub>TH-(INP)</sub>		2	2.5		V
Input Threshold Low-to-High (at IC pin)	V <sub>TH+(INP)</sub>	(Note 11)		3.5	4	V
Input Threshold Hysteresis (at IC pin)	V <sub>HYS(INP)</sub>	(Note 11)		1		V
Field Input Pin Resistance	R <sub>INP</sub>			0.8		k $\Omega$
Field Input Current Limit	I <sub>INLIM</sub>	R <sub>REF</sub> = 15k $\Omega$ , V <sub>CC24V</sub> = 18V to 30V (Note 5)	2.2	2.4	2.6	mA
Filter Time Constant	t <sub>FILTER</sub>	DB1/DB0 = 0/0: no filtering		0		ms
		DB1/DB0 = 0/1	0.008	0.025	0.038	
		DB1/DB0 = 1/0	0.25	0.75	1.1	
		DB1/DB0 = 1/1	1.0	3	4.5	
Linear Regulator Output	V <sub>5VOUT</sub>	Max I <sub>LOAD</sub> = 50mA	4.75	5.0	5.25	V
Regulator Line Regulation	dV <sub>REGLINE</sub>	I <sub>LOAD</sub> = 50mA		10	20	mV
Regulator Load Regulation	dV <sub>REGLOAD</sub>	I <sub>LOAD</sub> = 1mA to 50mA		20	50	mV
Logic-Low Output Voltage	V <sub>OL</sub>	I <sub>OL</sub> = 4mA		0.4	1.0	V
Logic-High Output Voltage	V <sub>OH</sub>	I <sub>OH</sub> = -4mA	4.0			V
Logic-Input Trip Point	V <sub>IH-IL</sub>		0.3x V <sub>5VOUT</sub>	0.5x V <sub>5VOUT</sub>	0.7x V <sub>5VOUT</sub>	V
Logic-Input Leakage Current	I <sub>IL</sub>		-50	-30	-15	$\mu$ A
Overtemperature Alarm	T <sub>ALRM</sub>			135		°C

## AC Electrical Characteristics

( $V_{CC24V} = 7V$  to  $36V$ ,  $T_J = -40^{\circ}C$  to  $+150^{\circ}C$ , unless otherwise noted.) (Note 2)

PARAMETER	SYMBOL	CONDITIONS	MIN	TYP	MAX	UNITS
Field Input Pulse Width	$t_{PW}$	No external capacitors on pins IN1–IN8	1			$\mu s$
ESD		HBM, all pins except IN1–IN8		$\pm 2$		kV
		HBM, IN1–IN8 with respect to GND		$\pm 15$		

## AC Electrical Characteristics: SPI Interface

( $V_{CC24V} = 7V$  to  $36V$ ,  $T_J = -40^{\circ}C$  to  $+150^{\circ}C$ , unless otherwise noted.) (Note 2)

PARAMETER	SYMBOL	CONDITIONS	MIN	TYP	MAX	UNITS
CLK Pulse Duration	$t_{CLKPW}$	(Note 6)	20			ns
$\overline{CS}$ Pulse Duration	$t_{CSPW}$	(Note 7)	20			ns
SIN to CLK Setup Time	$t_{SU1}$	(Note 8)	5			ns
SIN to CLK Hold Time	$t_{H1}$	(Note 8)	8			ns
$\overline{CS}$ to CLK Setup Time	$t_{SU2}$	(Note 9)	8			ns
$\overline{CS}$ to CLK Recovery Time	$t_{REC}$	(Note 9)	12			ns
Clock Pulse Frequency	$f_{CLK}$	(Notes 6, 10)			25	MHz
Propagation Delay, CLK to SOUT	$t_{P1}$	(Note 6)			20	ns
Propagation Delay, $\overline{CS}$ to SOUT	$t_{P2}$	(Note 7)			20	ns
Rise/Fall Time SOUT/ $\overline{FAULT}$	$t_{R/F}$	(Note 6)			40	ns

**Note 2:** Limits are 100% production tested at  $T_A = +25^{\circ}C$  and/or  $T_A = +125^{\circ}C$ . Limits over the operating temperature range and relevant supply voltage range are guaranteed by design and characterization. Typical values are not guaranteed.

**Note 3:** When using suggested external  $2.2k\Omega$  series resistors, limits of  $-3V$  to  $+36V$  apply.

**Note 4:**  $f_{IN}$  refers to the maximum pulse frequency ( $1/f_{IN} =$  shortest pulse width) that can be detected from the field sensors and switches.

**Note 5:** External resistor  $R_{REF}$  can be adjusted to set any desired current limit between  $0.5mA$  and  $6mA$ .

**Note 6:** See [Figure 9](#).

**Note 7:** See [Figure 6](#).

**Note 8:** See [Figure 8](#).

**Note 9:** See [Figure 7](#).

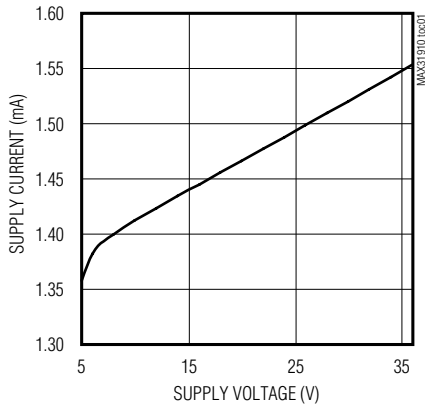
**Note 10:** This is the maximum bit transfer rate through the serializer interface.

**Note 11:** When input current switching is enabled ( $DB0/DB1 = 0$ ), there is no input threshold hysteresis. In this case, the input threshold for both falling and rising signals is the high-to-low threshold.

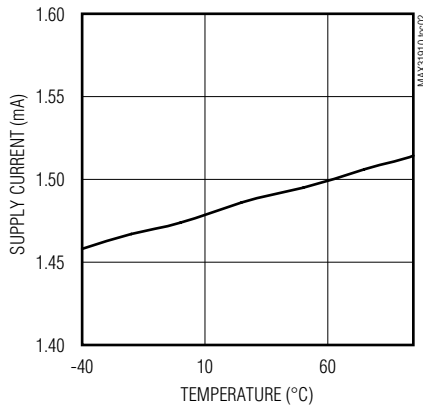
Typical Operating Characteristics

( $T_A = +25^\circ\text{C}$ ,  $R_{REF} = 15\text{k}\Omega$ , unless otherwise noted.)

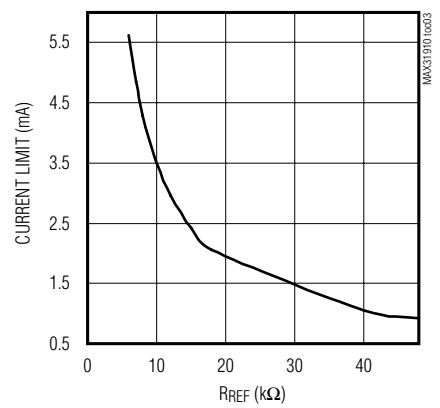
**POWER-SUPPLY CURRENT vs.  $V_{CC24V}$  FIELD SUPPLY**



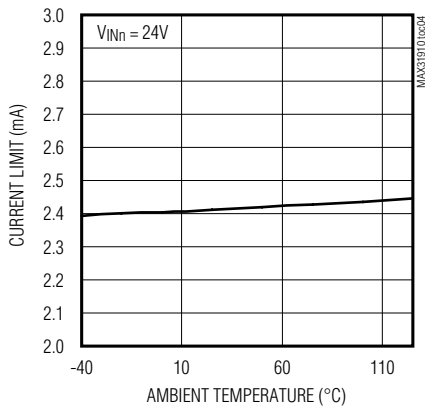
**SUPPLY CURRENT vs. TEMPERATURE**



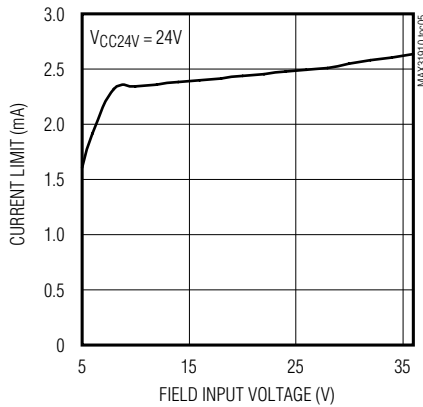
**CURRENT LIMIT vs.  $R_{REF}$**



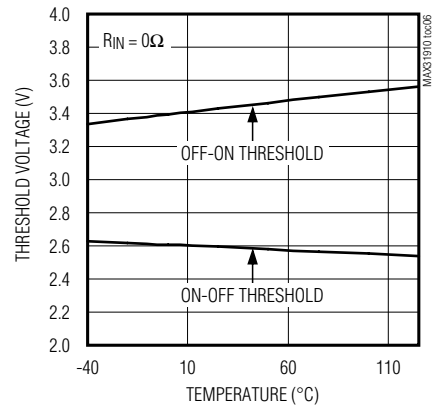
**INPUT CURRENT LIMIT vs. TEMPERATURE**



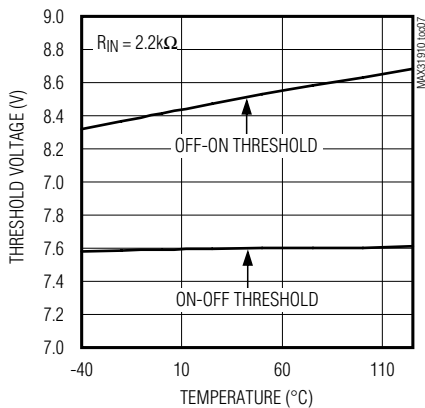
**INPUT CURRENT LIMIT vs. FIELD INPUT VOLTAGE**



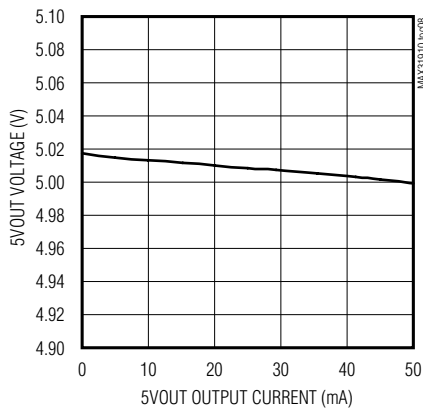
**INPUT VOLTAGE HYSTERESIS vs. TEMPERATURE**



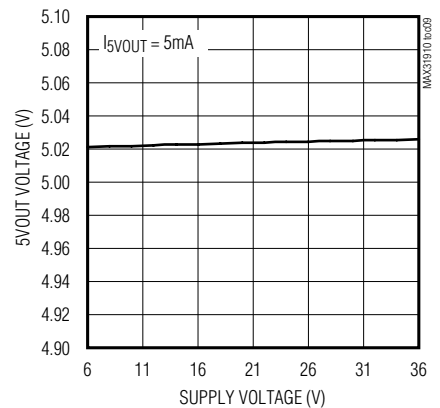
**INPUT VOLTAGE HYSTERESIS vs. TEMPERATURE**



**LDO LOAD REGULATION**

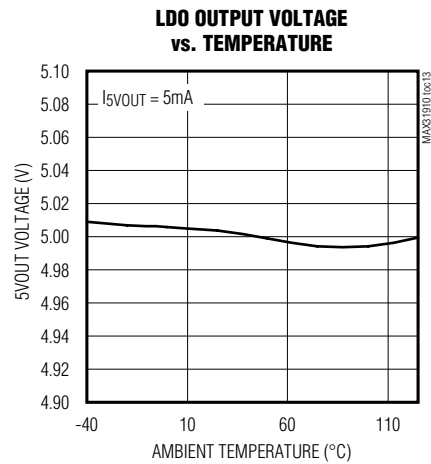
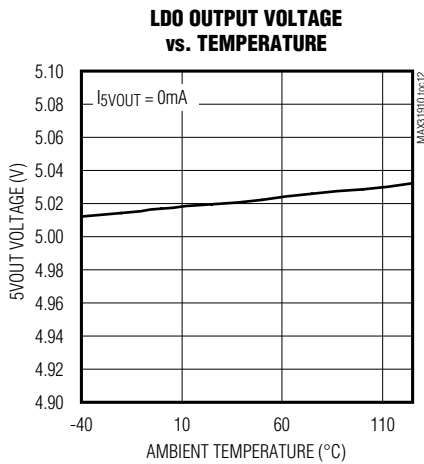
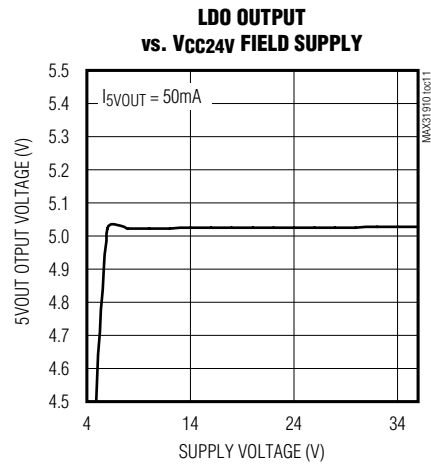
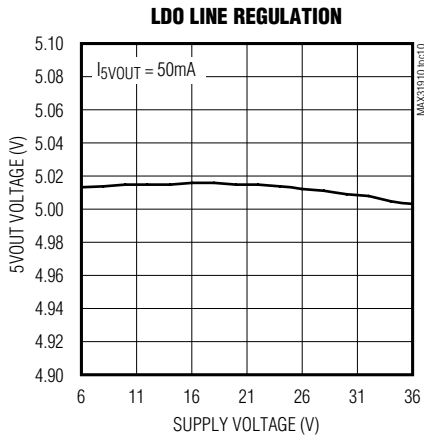


**LDO LINE REGULATION**

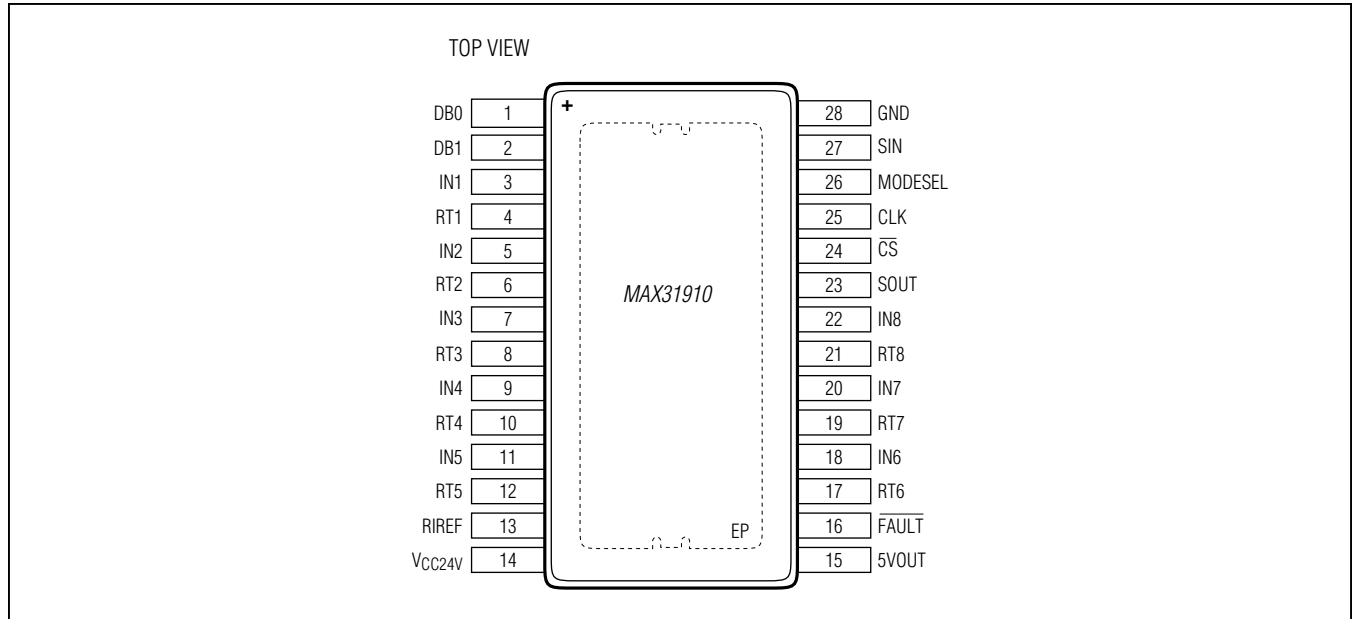


Typical Operating Characteristics (continued)

( $T_A = +25^\circ\text{C}$ ,  $R_{REF} = 15\text{k}\Omega$ , unless otherwise noted.)



Pin Configuration

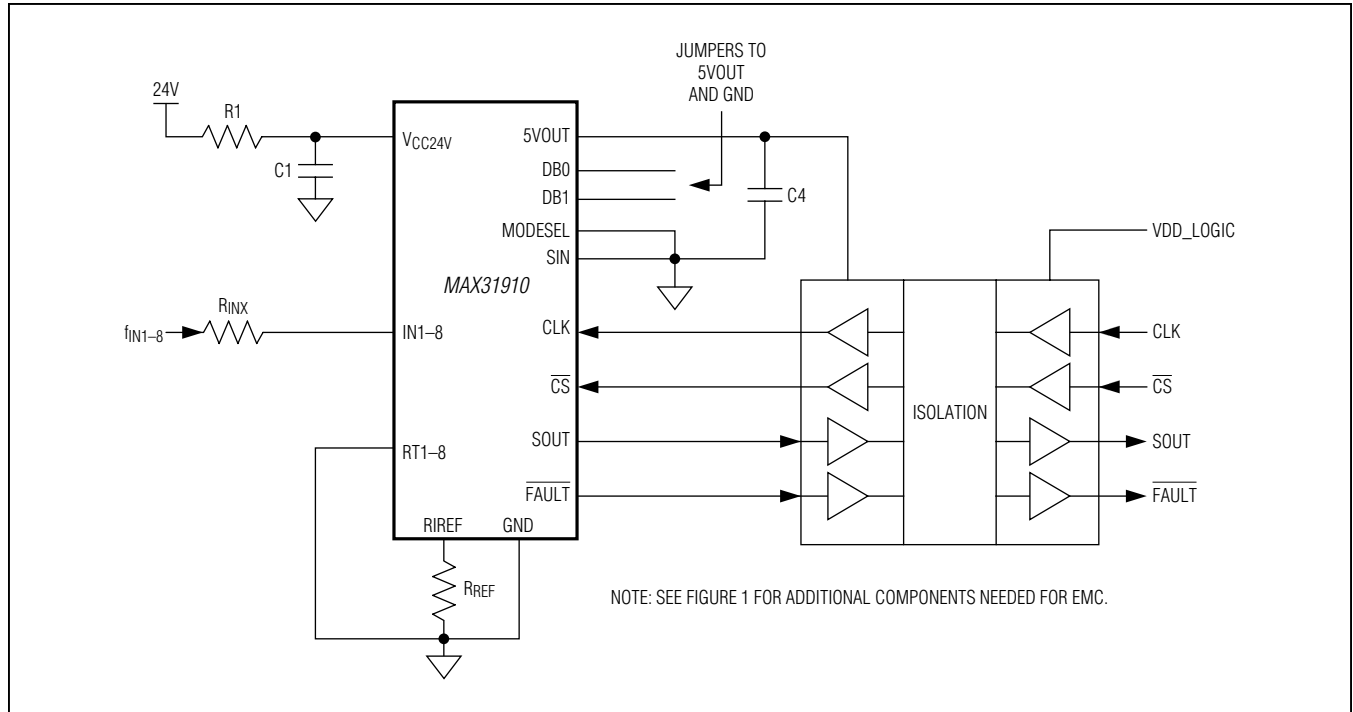


Pin Description

PIN	NAME	FUNCTION
1, 2	DB0, DB1	Debounce (Filtering) Time Select Inputs. These inputs also determine the current switching frequency. See Table 1 for details.
3, 5, 7, 9, 11, 18, 20, 22	IN1–IN8	Field Inputs
4, 6, 8, 10, 12, 17, 19, 21	RT1–RT8	Connect directly to GND. These pins are reserved for energy-less LED drivers in future versions of the device.
13	RIREF	Current-Limiter Reference Resistor
14	V <sub>CC24V</sub>	Field-Supply Voltage
15	5VOUT	5V Regulator Output
16	FAULT	Open-Drain Output. Active-low for overtemperature/undervoltage conditions.
23	SOUT	Serial-Data Out
24	CS	Active-Low Chip-Select Input
25	CLK	Serial-Clock Input
26	MODESEL	Mode-Select Input MODESEL = 1: Selects 8-bit shift register MODESEL = 0: Selects 16-bit shift register
27	SIN	Serial-Data Input
28	GND	Field Ground
—	EP	Exposed Pad. Must be connected to the PCB ground plane.



Basic Application Circuit



Detailed Description

Input Current Clamp

The MAX31910 industrial interface serializer inputs (IN1–IN8) sense the state (on vs. off) of field sensors by monitoring both voltage and current flowing through the sensor output. The current sinking through these input pins rises linearly with input voltage until the limit set by the current clamp is reached. Any voltage increase beyond this point does not increase the input current any further.

The value of the current clamp is adjustable through an external resistor connected between the RIREF pin and GND. Pins RT1–RT8 must be connected directly to GND to provide a return path for the input current. The voltage and current at the IN1–IN8 input pins are compared against internally set references to determine whether the sensor is on (logic 1) or off (logic 0). The trip points determining the on/off status of the sensor satisfy the requirements of IEC 61131-2 Type 1 and 3 switches. The device can also be configured to work as a Type 2 switch.

Glitch Filter

A digital glitch filter provides debouncing and filtering of noisy sensor signals. The time constant of this filter is programmable from 0ms to 3ms through the DB0 and DB1 pins. See [Table 1](#) for debounce settings.

To provide the digital glitch filter, the device checks that an input is stable for at least three clock cycles. The duration of a clock cycle is 1/3 of the selected debounce time. If the input is not stable for at least three clock cycles, the input change is not sent to the internal shift register.

Low-Power Current Clamp Switching

The MAX31910 uses a patent-pending switched current limiter to reduce power consumption below what is achievable by current limiting alone ([Figure 1](#)). The internal filter clock is used to switch input current between 100% and 20% of the chosen current limit. For example, if the current limit is set to 2.4mA, the input current switches between 2.4mA and 0.48mA. The switching is done at a controlled ramp rate of  $t_{DELAY}$  (0.5µs typ). The filter clock switches input current at a 50% duty cycle. The clock period for current switching is automatically selected by the DB1 and DB0 glitch filter settings. See [Table 1](#) for current switching settings.

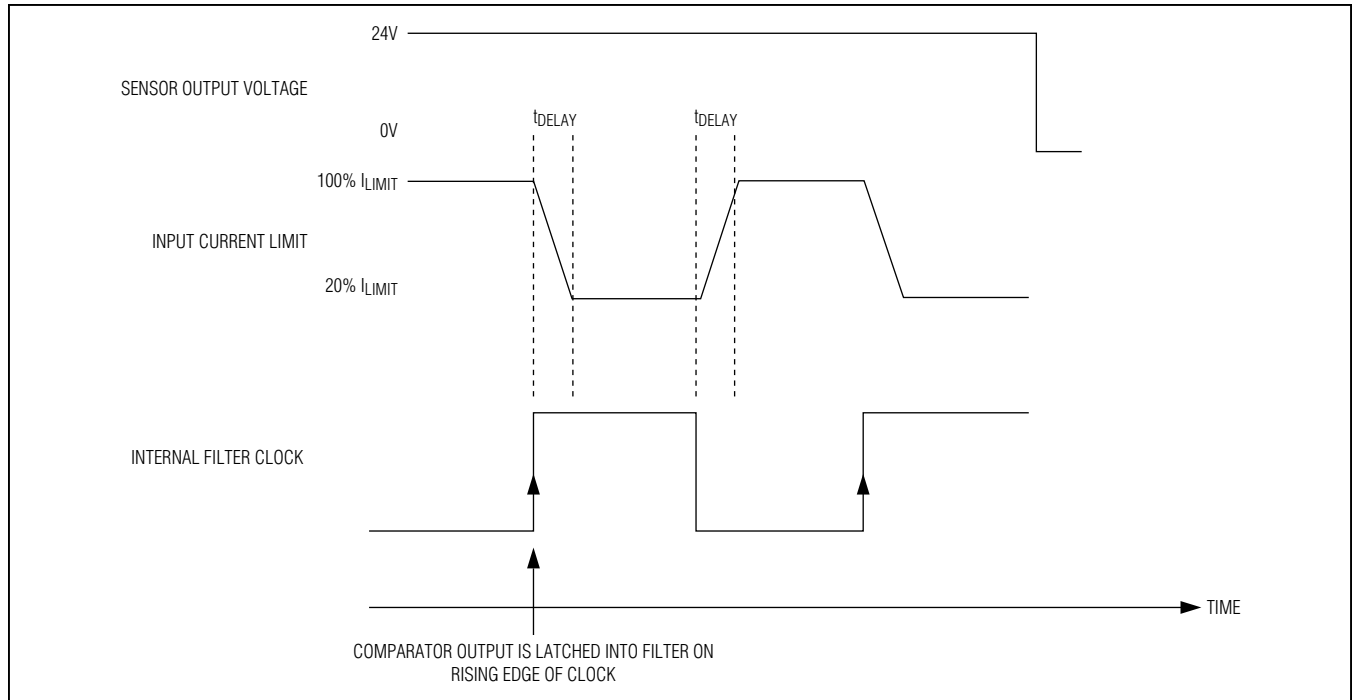


Figure 1. Operation of Patent-Pending Switched Current Limiter

**Table 1. Debounce Settings**

DB1	DB0	BINARY VALUE	DEBOUNCE TIME	CURRENT SWITCHING PERIOD
0	0	0	0	DC (disabled)
0	1	1	25µs	8µs
1	0	2	0.75ms	0.25ms
1	1	3	3ms	1ms

**Powering the Device Through the 5VOUT Pin**

The device can alternatively be powered using a 5V supply connected to the 5VOUT pin. In this case a 24V supply is no longer needed and the VCC24V supply must be kept unconnected (see [Figure 2](#)).

In this configuration, the device will always indicate a UVFAULT and the FAULT pin will always be active (pulled low). Faults due to the supply voltage monitoring will not be available. Faults due to the temperature monitor can only be read through the SPI interface.

This configuration has a lower power consumption and heat dissipation since the on-chip 5V voltage regulator is disabled.

**Reading Serial Data**

The filtered outputs of the input comparators are latched into a shift register at the falling edge of  $\overline{CS}$ . Clocking the CLK pin, while  $\overline{CS}$  is held low, shifts the latched data out of SOUT 1 bit at a time.

The internal data serializer comprises a 16-bit shift register, containing 8 bits of data corresponding to the eight field inputs, as well as an 8-bit status byte containing supplementary status and CRC information. The status byte contains 1 bit representing the status of the field-supply voltage (UV), 1 bit representing the status of the internal temperature monitor (OT), a 5-bit CRC code internally calculated and generated, and a trailing 1 as a STOP bit.

The undervoltage (UV) bit is normally 0. If the supply voltage falls below  $V_{OFFUVLO}$ , the UV becomes a 1. The UV bit returns to 0 once the supply voltage has returned above  $V_{ONUVLO}$ .

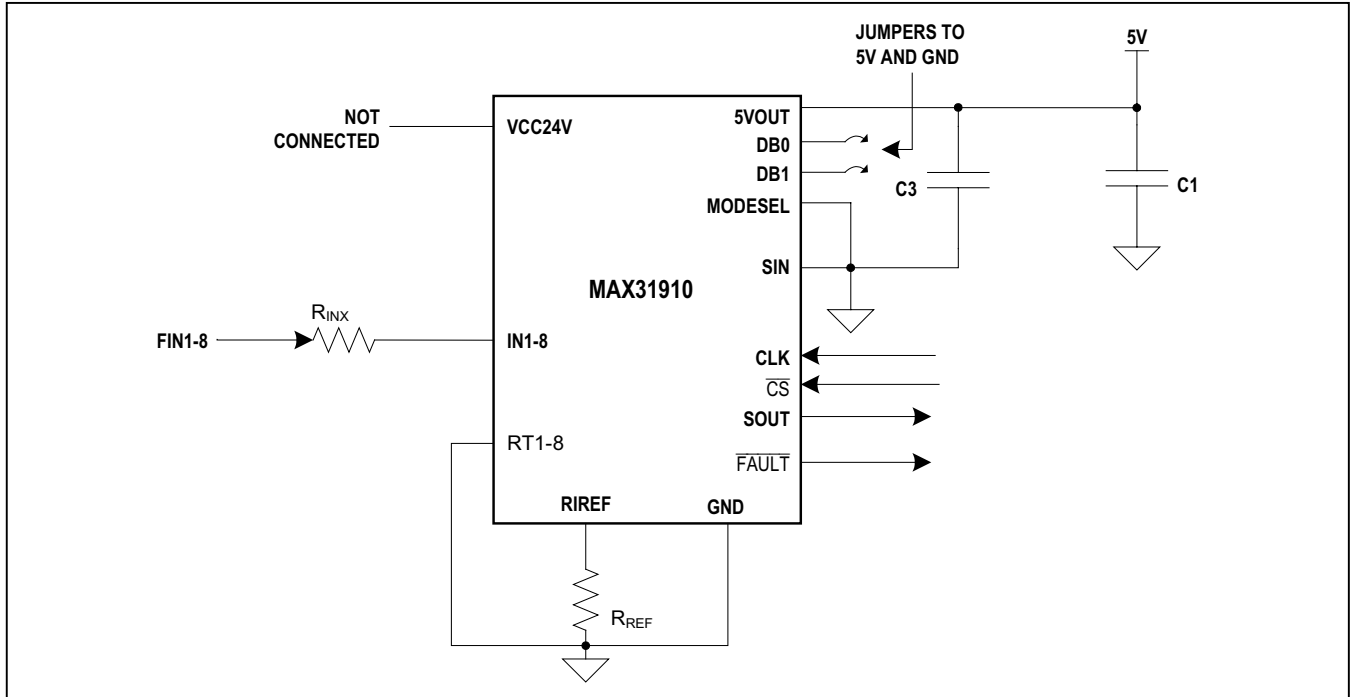


Figure 2. Basic Application Powered Through 5VOUT

The overtemperature (OT) bit is also normally 0. If the junction temperature increases to above  $T_{ALRM}$ , the OT bit becomes a 1. The bit returns to 0 once the junction temperature has returned below  $T_{ALRM}$ .

The CRC code can be used to check data integrity during transfer from the device to an external microcontroller. In applications where the integrity of data transferred is not of concern, the CRC bits can be ignored. The CRC uses the following polynomial:

$$P(x) = x^5 + x^4 + x^2 + x^0$$

The number of bits in the internal serializer can be selected between 8 bits or 16 bits. The MODESEL pin is used to configure the serializer as an 8-bit (disabling the status byte) or 16-bit shift register. In 8-bit mode, only the eight field input states are transferred through the SPI port and the status byte is ignored. Therefore, in multiple IC applications (input channels greater than 8), if desired, only a single status byte can be generated and transmitted for any number of input channels.

The shift register contents are read only (no write capability exists) through the SPI-compatible interface.

For higher input counts than 8, multiple devices can be cascaded. In this case, the SOUT pin of one device should be connected to the SIN pin of the

next device, effectively cascading the internal shift registers. The CLK and CS pins of all the devices should be connected together in this configuration. See the [Serial-Port Operation](#) section for more detailed information on operating the SPI interface.

### Temperature Monitoring

The internal junction temperature of the device is constantly monitored. An alarm is raised, by asserting the FAULT pin, if the temperature rises above  $T_{ALRM}$ . In addition to asserting FAULT, the device sets the OT bit to a 1.

### Supply Voltage Monitoring

A supply voltage monitor circuit constantly monitors the field-supply voltage. If this voltage falls below a threshold ( $V_{OFFUVLO}$ ), an alarm is raised by asserting the FAULT pin, indicating that the part is experiencing a fault condition and the data in the serializer is not to be trusted. In addition, the device sets the UV bit to a 1. Once the field-supply voltage has recovered and goes above  $V_{ONUVLO}$ , the FAULT pin is released, indicating normal operation of the part.

## Applications Information

### EMC Standards Compliance

The external components shown in [Figure 3](#) allow the device to operate in harsh industrial environments. Components were chosen to assist in suppression of voltage burst and surge transients, allowing the system to meet or exceed international EMC requirements. [Table 2](#) lists an example device for each component in [Figure 3](#). The system shown in [Figure 3](#), using the components shown in [Table 2](#), is designed to be robust against IEC Fast Transient Burst, surge, conducted RFI specifications, and ESD specifications (IEC 61000-4-2, -4, -5, and -6).

### Serial-Port Operation

Serial output of the device functions in one of two modes, depending on the MODESEL setting ([Table 3](#)).

With MODESEL = 0, the device output includes a 5-bit CRC, an undervoltage alarm, and an overtemperature alarm. See the [Detailed Description](#) for CRC, undervoltage, and overtemperature functional descriptions.

With MODESEL = 1, the device outputs only the state of the IN1–IN8 inputs and omits the CRC, undervoltage alarm, and overtemperature alarm.

### Daisy-Chain Operation

For systems with more than eight sensor inputs, multiple devices can be daisy-chained to allow access to all data inputs through a single serial port. When using a daisy-chain configuration, connect SOUT of one of the devices to the SIN input of another upstream device.  $\overline{CS}$  and SCK of all devices in the chain should be connected together in parallel (see [Figure 4](#)).

In a daisy-chain configuration, external components used to enhance EMC robustness do not need to be duplicated for each device of a circuit board. [Figure 5](#) illustrates a 16-input application.

### SPI Waveforms

The serial output of the device adheres to the SPI protocol, running with CPHA = 0 and CPOL = 0. Input states on IN1–IN8 are latched in on the falling edge of  $\overline{CS}$ . The transfer of data out of the slave output, SOUT, starts immediately when  $\overline{CS}$  is asserted (i.e., MSB is output onto SOUT independent of CLK). The remaining data bits are shifted out on the falling edge of CLK. The data bits are written to the output SOUT with MSB first. When  $\overline{CS}$  is high, SOUT is high impedance. The resultant timing is shown in [Figure 6](#). Note that all bits after IN1 are invalid if 8-bit operation mode is selected with the MODESEL input. [Figure 7](#), [Figure 8](#), [Figure 9](#), and [Figure 10](#) illustrate SPI timing specifications.

**Table 2. Recommended Circuit Components**

COMPONENT	DESCRIPTION	REQUIRED/RECOMMENDED/OPTIONAL
C0	4.7nF, 2kV polypropylene capacitor	Recommended
C1	10 $\mu$ F, 60V ceramic capacitor	Required
C3	100nF, 10V ceramic capacitor	Recommended
C4	4.7 $\mu$ F, 10V low ESR ceramic capacitor	Required
C5	100nF, 100V ceramic capacitor	Recommended
D0	36V fast zener diode (ZSMB36)	Recommended
D1	General-purpose rectifier (IN4007)	Optional: For reverse-polarity protection.
R1	150 $\Omega$ , 1/3W MELF resistor	Recommended
R <sub>INX</sub>	2.2k $\Omega$ , 1/4W MELF resistor	Required
R <sub>REF</sub>	15k $\Omega$ , 1/8W resistor	Required

**Note:** For higher EFT performance, a minimum 1nF, 1000V capacitor can be added from nodes  $f_{IN1}$ – $f_{IN8}$  to earth or ground. For additional methods to improve EFT robustness, please check the Maxim website regularly for upcoming application notes currently being developed.

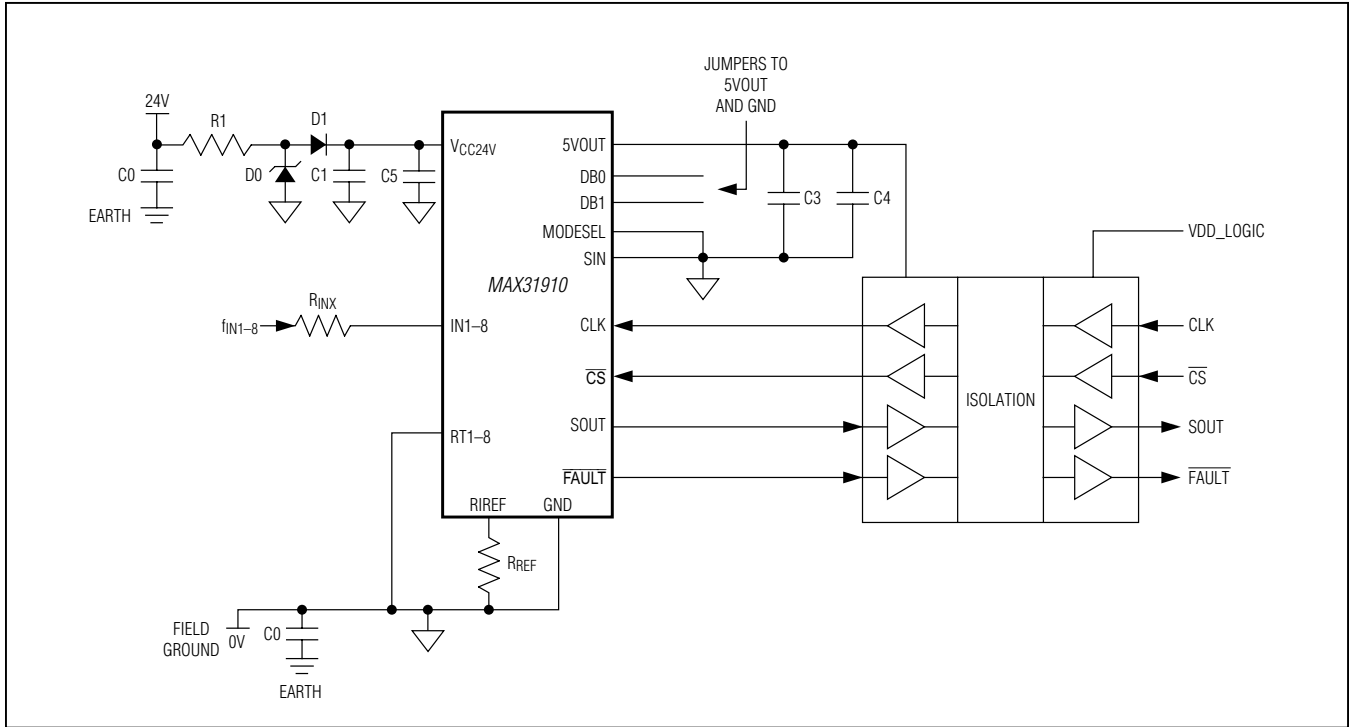


Figure 3. Typical EMC Protection Circuitry

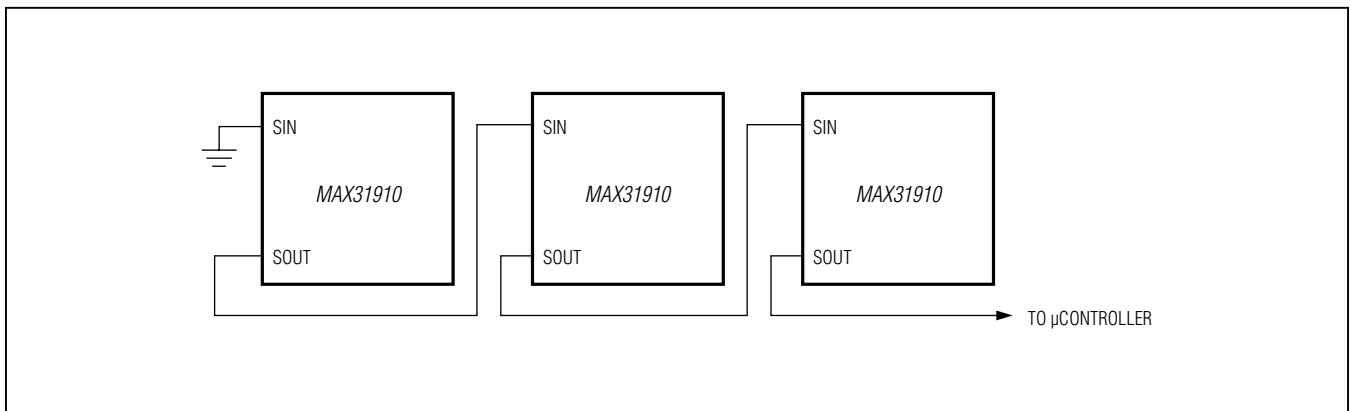


Figure 4. Daisy-Chain Operation

Table 3. MODESEL Settings

MODESEL SETTING	FUNCTIONALITY
0	16-bit output; [IN8-IN1][CRC (5 bit)][UV][OT][0]
1	8-bit output; [IN8-IN1]

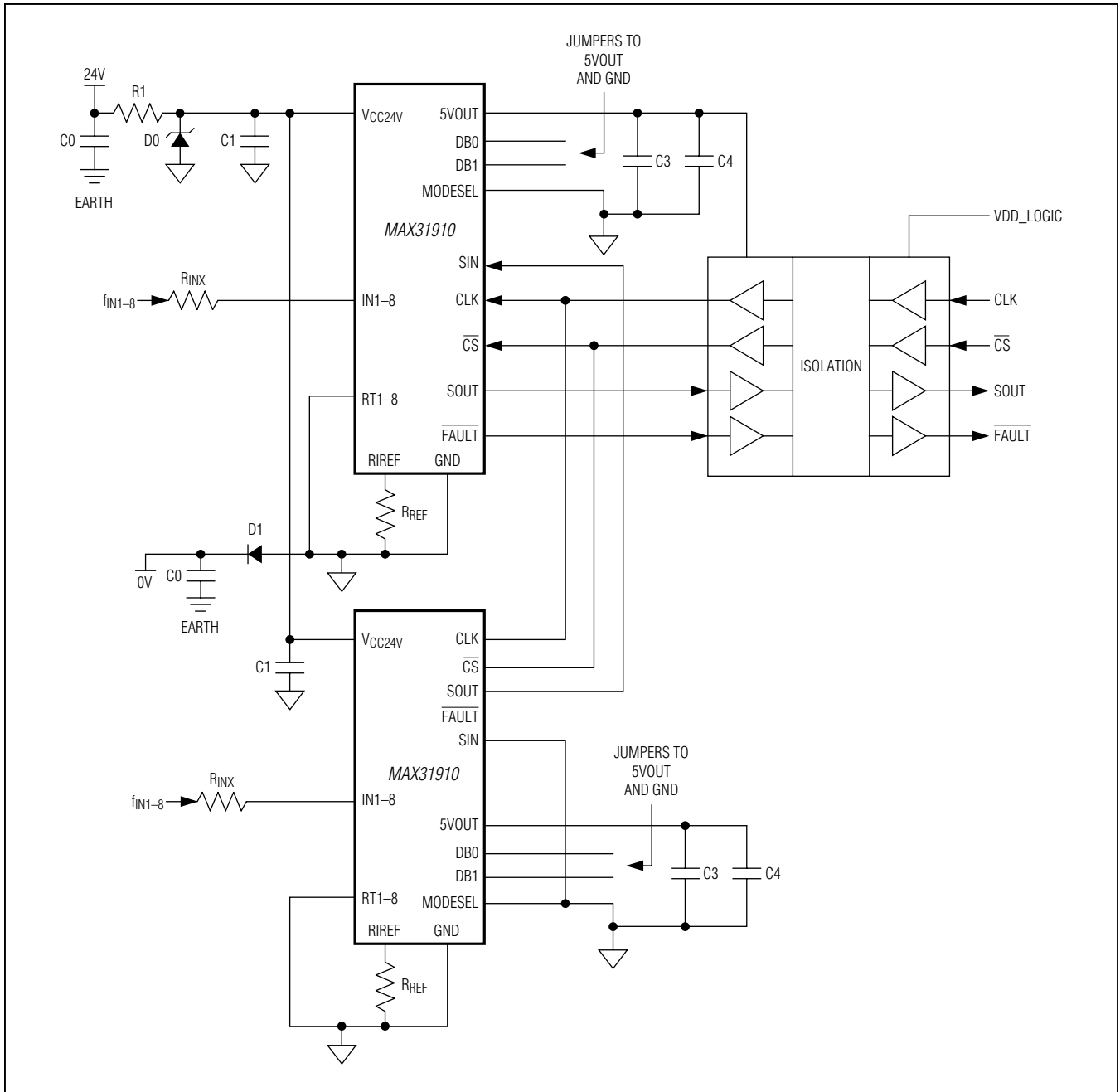


Figure 5. 16-Input Application Circuit

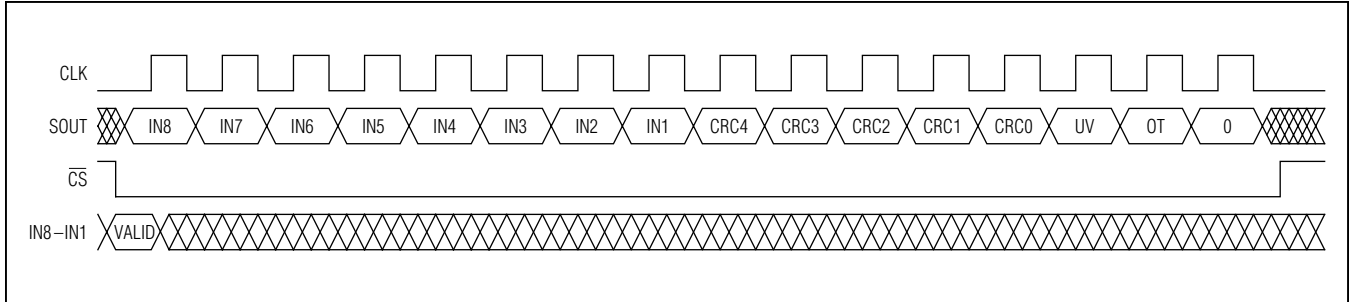


Figure 6. SPI Communication Example

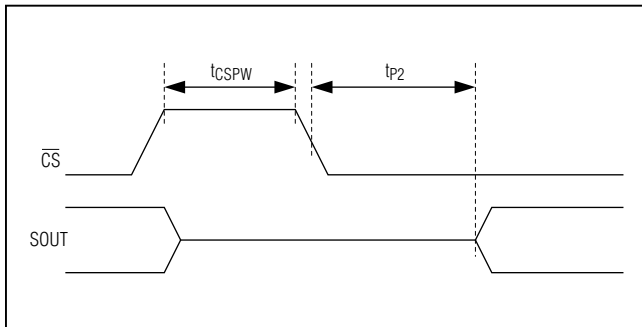


Figure 7. SPI Timing Diagram 1

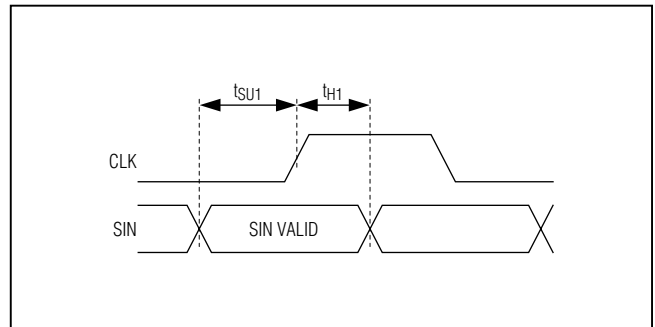


Figure 9. SPI Timing Diagram 3

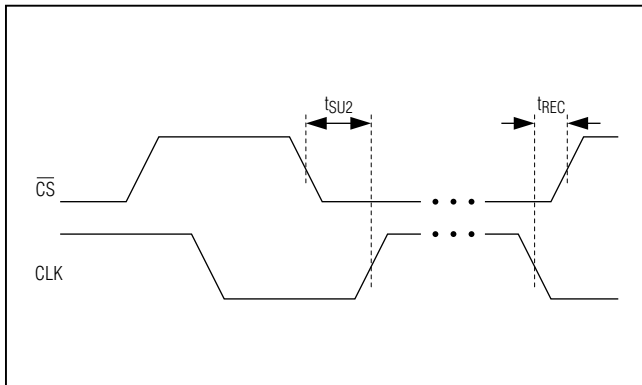


Figure 8. SPI Timing Diagram 2

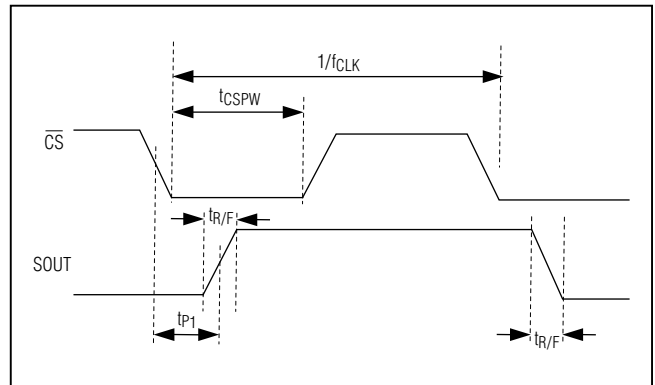


Figure 10. SPI Timing Diagram 4

## Chip Information

PROCESS: S45JRS

## Ordering Information

PART	TEMP RANGE	PIN-PACKAGE	CARRIER
MAX31910AUI+	-40°C to +125°C	28 TSSOP	Bulk
MAX31910AUI+T	-40°C to +125°C	28 TSSOP	Tape and Reel

+Denotes a lead(Pb)-free/RoHS-compliant package.

T = Tape and reel.

## Package Information

For the latest package outline information and land patterns (footprints), go to [www.maximintegrated.com/packages](http://www.maximintegrated.com/packages). Note that a "+", "#", or "-" in the package code indicates RoHS status only. Package drawings may show a different suffix character, but the drawing pertains to the package regardless of RoHS status.

PACKAGE TYPE	PACKAGE CODE	OUTLINE NO.	LAND PATTERN NO.
28 TSSOP-EP	U28E+4		



## Revision History

REVISION NUMBER	REVISION DATE	DESCRIPTION	PAGES CHANGED
0	8/12	Initial release	—
1	9/12	Changed the supply voltage minimum from 10V to 7V; changed the current limits in the EC table Note 5; added a new Figure 1 to show current-limit switching; added the CRC polynomial to the <i>Reading Serial Data</i> section	1–4, 9
2	11/13	Updated <i>Block Diagram</i> , TOCs 4, 5, 8–10, <i>Input Current Clamp</i> , <i>Low-Power Current Clamp Switching</i> , <i>Basic Application Circuit</i> , and <i>EMC Standards Compliance</i> sections, Table 2, and Figures 2, 4, and 5	1, 5, 6, 8, 10–13
3	7/14	Added Note 11 to <i>DC Electrical Characteristics</i> table, deleted portion of Table 2 note.	3, 4, 11
4	2/15	Updated front page content	1
5	4/15	Correct errata in <i>General Description</i> , added powering from 5VOUT, corrected errata in figures, errata in <i>Electrical Characteristics</i> table.	1, 3, 5, 8, 10, 12–13, 15
6	8/17	Updated <i>Electrical Characteristics</i> and <i>Pin Description</i> tables, <i>Typical Operating Characteristics</i> section, and Table 3	5, 6, 8, 13

For pricing, delivery, and ordering information, please contact Maxim Direct at 1-888-629-4642, or visit Maxim Integrated's website at [www.maximintegrated.com](http://www.maximintegrated.com).

Maxim Integrated cannot assume responsibility for use of any circuitry other than circuitry entirely embodied in a Maxim Integrated product. No circuit patent licenses are implied. Maxim Integrated reserves the right to change the circuitry and specifications without notice at any time. The parametric values (min and max limits) shown in the *Electrical Characteristics* table are guaranteed. Other parametric values quoted in this data sheet are provided for guidance.

