

## MAX4146x Evaluation Kit

Evaluates: MAX41460/1/2/3/4

### General Description

The MAX4146x evaluation kit (EV kit) contains a single MAX4146x high output power VHF/UHF sub-GHz ISM/SRD transmitter, designed to transmit Frequency-Shift Keying (FSK), Gaussian GFSK or Amplitude-Shift Keying (ASK) data in the 286MHz to 960MHz frequency range.

The MAX41460 and the MAX41461–MAX41464 evaluation kits operate in conjunction with an external microcontroller (MCU) and Graphical User Interface (GUI) software running on a computer. The MAX41460 uses an SPI interface for internal register configurations while the MAX41461–MAX41464 can use the preset modes or an I<sup>2</sup>C interface for register programming and control.

The MAX41461, MAX41462, MAX41463, and MAX41464 evaluation kits are also designed to operate with a simple, one-pin data interface, alleviating the need to program the part for nominal operation, or other high-level system (PC with GUI software) having to configure the transmitter for operation. These parts allow the user to preset the operating frequencies by part selection and pin configurations. On the evaluation kit, selecting the frequency of operation is as simple as setting two jumpers.

The EV kit includes Windows® 7/10-compatible software that provides a simple graphical user interface (GUI) for configuration of all the MAX4146x registers through the SPI or I<sup>2</sup>C ports. The GUI also controls the on-board PMIC and can act as a data generator, when the MAX32630FTHR Applications Platform is used.

### Features

- Evaluates the MAX4146x Family of Sub-1GHz ISM Transmitters
- Single Input Voltage Supply from 1.8V to 3.6V
- Direct Interface with a MAX32630FTHR ARM Microcontroller (MCU) Board
- Available Pmod Hardware Interface
- Windows 7/10-compatible Software
- On-Board SPI Interface Control for the MAX41460 and optional I<sup>2</sup>C Control for the MAX41461–MAX41464
- GUI Controls for MAX32630FTHR Board PMIC Operation from 1.8V to 3.3V
- Proven 2-Layer PCB Design
- Fully Assembled and Tested

Ordering Information appears at end of data sheet.

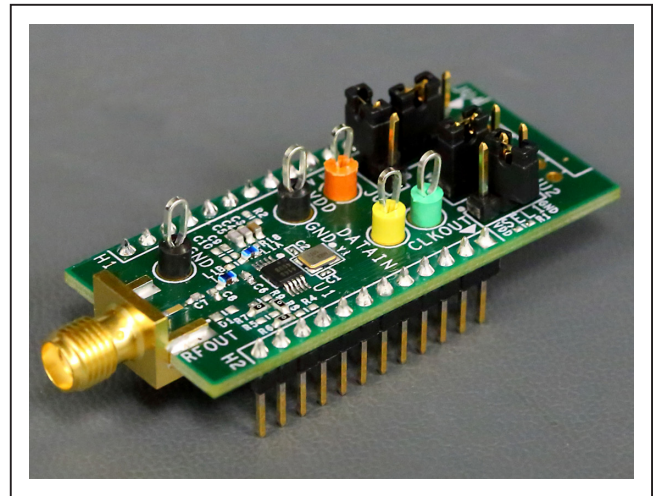


Figure 1. MAX4146x EV Kit Board

Windows is a registered trademarks and registered service marks of Microsoft Corporation.

**Quick Start**

**Required Equipment**

- **Included in the MAX4146x Evaluation Kit**
  - MAX4146x Evaluation kit board
  - MAX32630FTHR# kit
    - FTTHR board
    - DAPLINK board
    - 2x micro/B USB cables
  - MAX4146x EV kit Pin Diagram Card
- Windows PC\* (Win-7/Win-10), with one to two USB2.0 ports available
- Power Supply† capable of 1.8V to 3.6V, 100mA
- Serial Data Source† and a simple means of connection (DATA test point and Ground)
- Basic Spectrum Analyzer – Rohde and Schwarz ZVL3, Tektronix RSA306, or equivalent
- SMA/SMA cable as needed for connection to the spectrum analyzer

**Software and Drivers**

The MAX4146x EV kit can be used in conjunction with the ARM Cortex-M4F microcontroller MAX32630FTHR Application Platform or “FTTHR” board to provide power and control the device through a software application or Graphical User Interface (GUI). For this option, additional equipment is required:

When connected to the FTTHR board the MAX4146x EV kit uses the following drivers and software components. Refer to the [Appendix I](#) for additional information on this installation process.

- **MAX4146x Software Package**

The software, firmware, and drivers are available from the [www.maximintegrated.com](http://www.maximintegrated.com) website. Login to your MyMaxim account on the website, search for the MAX4146x part or EVKIT, click on the “Design Resources” tab, and click on the appropriate software link. Finally, click the file link on the software landing page to download the MAX4146x EV kit package.
- **mBed MAX32630FTHR and DAPLINK Interface System**

The DAPLINK system should not be required unless a firmware update to the FTTHR board has been released. The FTTHR board included in the MAX4146X

EV kit will be preprogrammed for interfacing the GUI to the radio. The firmware programming process does not require additional software or drivers, it uses a simple USB drive, drag-and-drop file interface.

It is highly recommended that the target PC be connected to a local area network and have access to the Internet, this allows for automatic download and updates of some drivers. This process may take 15 minutes or more to complete.

**Installation Procedure**

The steps in this section are used when connecting the MAX4146x EV kit to a FTTHR board and should only be needed once, when configuring the hardware and the PC for the first time. If these steps have already been completed, jump directly to the [FTTHR Board Quick Start Procedure](#).

**Install the MAX4146x EV Kit GUI Software**

This process should take less than 10 minutes after downloading the software package. Refer to [Appendix I](#) for detailed information on this installation process.

- 1) Copy the “**Setup MAX4146X V1.0.0 EVKit SW.rar**” file to a working folder on the target PC.
- 2) Extract the setup file contents into the working directory.
- 3) Double-Click the “MAX4146xGUISetupV01.ms” setup file and follow Setup Wizard prompts.
  - a. Click <Next> in the MAX4146X Setup Wizard window.
  - b. It is recommended to use the default Destination Folder; click <Next> to continue.
  - c. Install the software by clicking the <Install> button.
  - d. Click <Finish> when the MAX4146X Setup Wizard installation process is complete.

**Table 1. MAX4146x EV Kit Installed Files and Folders**

FILE NAME	DESCRIPTION
MAX4146x.exe	Application GUI
MaximStyle.dll	Supporting DLL file for software operation
RegisterSet8.xml	Register definition file

\* Required for operation of the MAX4146x EV kit with the GUI software.  
 † Required when the FTTHR board is not connected to the MAX4146x EV kit.

**Update the MAX32630FTHR Board Driver on the Host PC**

No changes are needed for the FTHR board when first receiving a MAX4146x EV kit—the FTHR board has been pre-loaded with the required firmware. Updates to the driver on the host PC may be necessary depending on the operating system and whether the PC has access to the internet when first connecting to the FTHR board. Refer to [Appendix I](#) for detailed information on how to update the FTHR board firmware and the driver for the FTHR board/USB interface.

**Hardware Use Procedure**

**Table 2. MAX4146x EV kit Jumper Settings**

JUMPERS	POSITION	EV KIT FUNCTION	
JU1	1-2*	Power from L3OUT (FTHR board)	
	2-3	Power from PMOD interface (VDD, pin 6 of JU4)	
JU2	1-2	SEL1 to VDD	SEL1 – See <a href="#">Table 3</a> for preset modes
	2-3†	SEL1 to GND	
	Not Installed‡	SEL1 open	
JU3	1-2	SEL0 to VDD	SEL0 – See <a href="#">Table 3</a> for preset modes
	2-3†	SEL0 to GND	
	Not Installed‡	SEL0 open	
JU5	1-2†	I <sup>2</sup> C pullup resistor R14 connected to VDD	
	3-4†	I <sup>2</sup> C pullup resistor R15 connected to VDD	
	Not Installed*	Pullup resistors disconnected	

\* default position

† setting for MAX41461-61 in I<sup>2</sup>C mode

‡ default for MAX41460

**FTHR Board Quick Start Procedure—SPI and I<sup>2</sup>C Interface**

Setup the MAX4146x EV kit and FTHR Board Hardware MCU/GUI Operation.

- Verify all jumpers on the MAX4146x EV kit board are in the default position;** refer to [Table 2](#).
  - For the MAX41460 EV kit, JU2, JU3 and JU5 should not be installed.
  - For MAX41461-MAX41464 EV kits, JU2 and JU3 must be installed 2-3 (SEL0 and SEL1 connected to GND); JU5 must be installed with jumpers from pins 1-2 and 3-4.
- Connect the MAX4146x EV kit to the FTHR board,** be sure the USB connector is oriented on the opposite side of the SMA connector, as shown in [Figure 3](#).

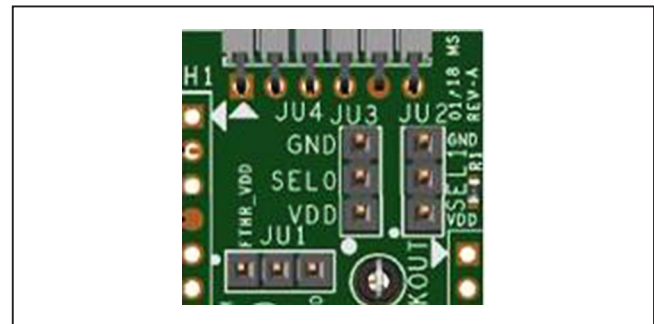


Figure 2. MAX4146x EV Kit Jumpers

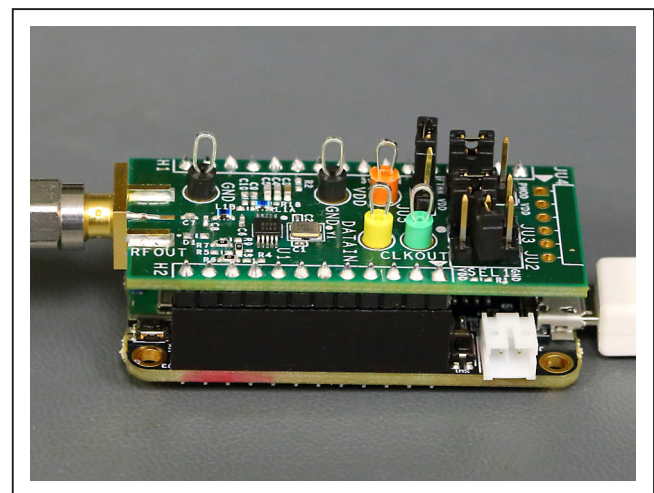


Figure 3. MAX4146x EV Kit Orientation to FTHR Board

3. **Connect the FTTH Board to the PC** using a micro-B USB cable and observe a “heartbeat” on the FTTH board’s red LED.
4. **Connect the RF\_OUT to a spectrum analyzer** using a low-loss SMA cable.
  - a. Set the Center Frequency to the target frequency of interest.
  - b. Set the Span to 1% of the Center Frequency (FCC standard test setting), the Resolution Bandwidth (RBW) to 1kHz, and the Video Bandwidth (VBW) to 3kHz.
  - c. Set the trace to “Max Hold”.
5. **Start the MAX4146x EV Kit Control Software GUI**
  - a. A MAX4146x EV kit splash screen, as shown in [Figure 4](#), will be displayed.
    - i. To disable future displays of the splash screen, click on the Disable check box.
    - ii. To continue to the GUI software, click on the <OK> button.
  - b. The expected COM port should be displayed if the EVK was connected prior to starting the GUI. Select the appropriate COM port from the drop-down list and click on the <Connect> button. The <Connect> button will change to the <Disconnect> button.
  - c. Confirm the firmware status bar has changed from “MAX4146X x.x.x” to “MAX4146X 0.1.0” or similar, the software LED is lit green, and the port status is noted as “Connected”.
  - d. Enter a supply level into the “Voltage” text box and click the <Set> button; for example, enter “3.0” for a 3.0V supply and click <Set>.

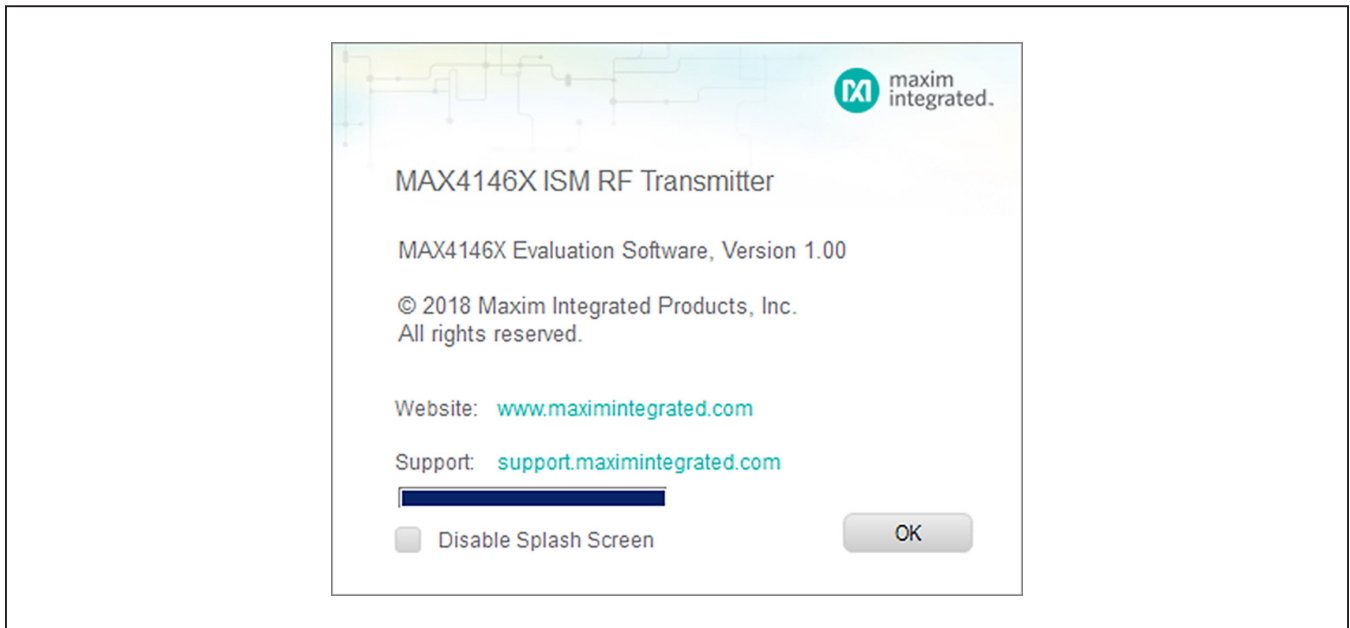


Figure 4. MAX4146x EV Kit GUI Splash Screen.

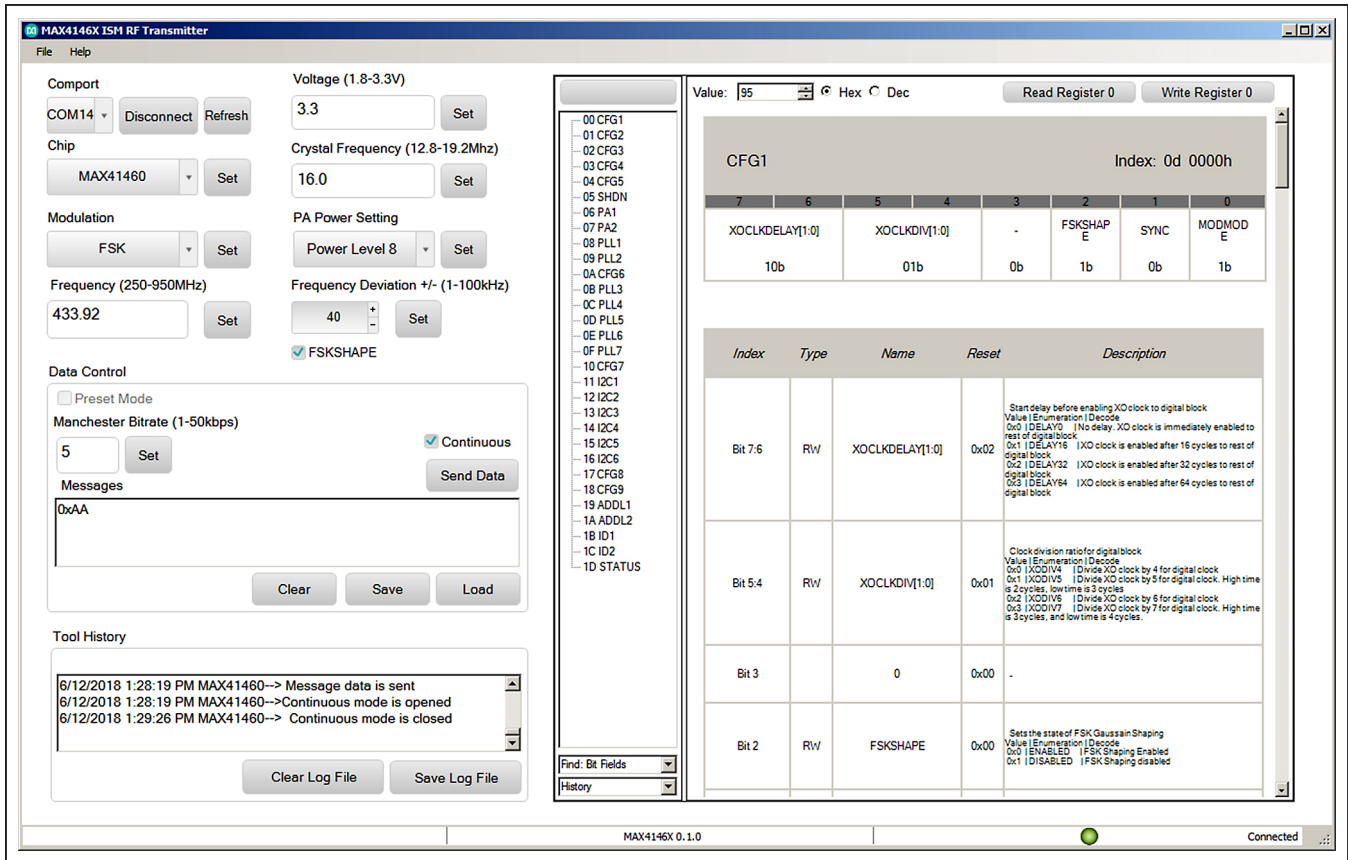


Figure 5. MAX4146x EV Kit GUI Software.

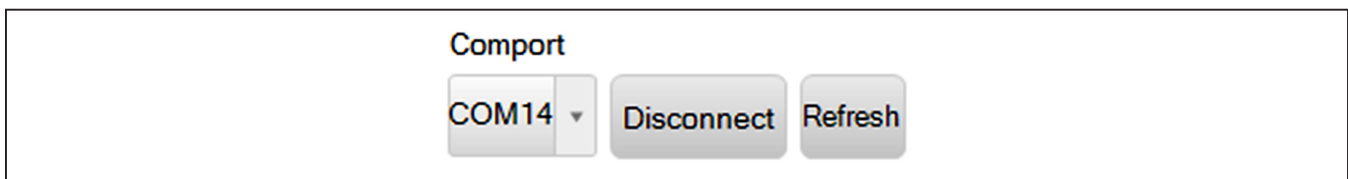


Figure 6. COM Port.

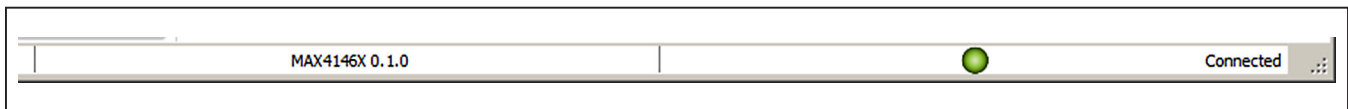


Figure 7. Connected Indicators.

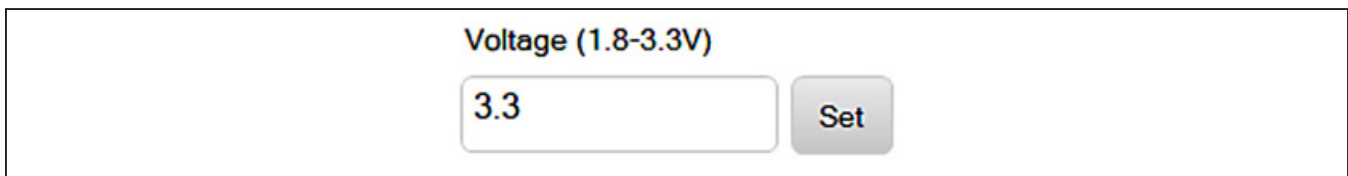


Figure 8. Supply Voltage.

- e. Select the appropriate part in the “Chip” drop-down box and click the <Set> button.
- f. Select the Crystal Frequency (16.0MHz is default) and click the <Set> button.
- g. Select a desired form of modulation in the Modulation drop-down box and click the <Set> button.
- h. Select a PA output power setting (“Power Level 1” is the lowest setting, “Power Level 8” results in the highest output power) and click the <Set> button
- i. Enter the desired operating frequency.
  - i. Enter a value between 250 and 950 (units of MHz) into the Frequency text box; *it is recom-*

*mended that the Frequency be set to match the EV kit tuning (as noted on the hardware).*

- ii. Click the <Set> button.
- j. If running in FSK mode select the “FSKSHAPE” checkbox, set a Frequency Deviation (in ± kHz), and click the <Set> button.
- k. For 4-wire SPI operation (using the MAX41460, this is needed to read-back register values):
  - i. click on the “0A CFG6” register.
  - ii. click on the “FOURWIRE1” 0-bit box.

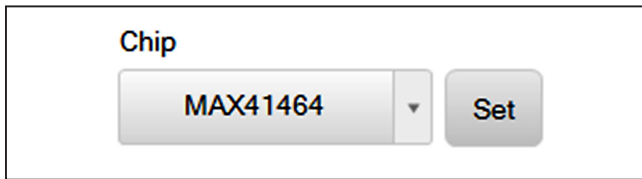


Figure 9. Part Selection

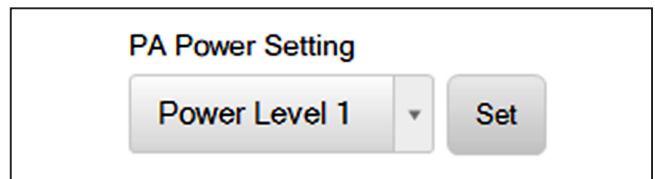


Figure 12. PA Power Setting

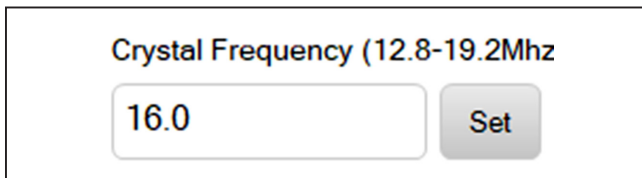


Figure 10. Crystal Frequency Selection

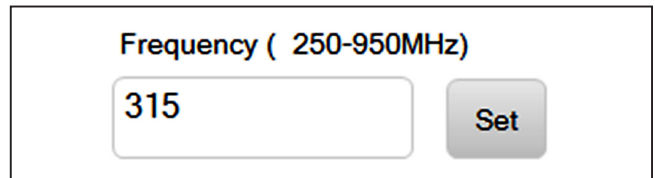


Figure 13. Frequency Setting



Figure 11. Modulation Selection

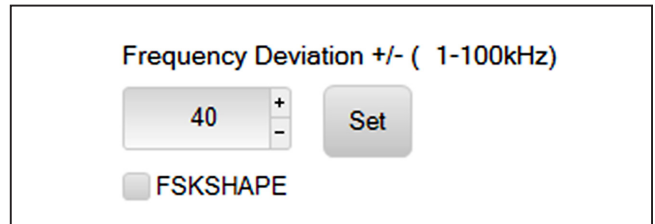


Figure 14. FSK Deviation Setting

Value:   Hex 
Read Register 10
Write Register 10

- 00 CFG1
- 01 CFG2
- 02 CFG3
- 03 CFG4
- 04 CFG5
- 05 SHDN
- 06 PA1
- 07 PA2
- 08 PLL1
- 09 PLL2
- 0A CFG6
- 0B PLL3
- 0C PLL4
- 0D PLL5
- 0E PLL6
- 0F PLL7
- 10 CFG7
- 11 I2C1
- 12 I2C2
- 13 I2C3
- 14 I2C4
- 15 I2C5
- 16 I2C6
- 17 CFG8
- 18 CFG9
- 19 ADDL1
- 1A ADDL2
- 1B ID1
- 1C ID2
- 1D STATUS

CFG6
Index: 10d 000Ah

7	6	5	4	3	2	1	0
		[4:0]			I2C_TX EN1	SPI_TX EN1	FOURWIRE1
		00000b			0b	0b	Bin 1b

Index	Type	Name	Reset	Description
Bit 7:3		0	0x00	-
Bit 2	RW	I2C_TXEN1	0x00	When set, enables DATA transmission in I2C mode Value   Enumeration   Decode 0x0   DISABLED   Data transmission not enabled in I2C mode 0x1   ENABLED   Data transmission is enabled in I2C mode
Bit 1	RW	SPI_TXEN1	0x00	Transmission Enable register for SPI mode Value   Enumeration   Decode 0x0   DISABLED   Transmission is disabled in SPI mode 0x1   ENABLED   Transmission is enabled in SPI mode
Bit 0	RW	FOURWIRE1	0x00	SPI Four Wire Mode enable Value   Enumeration   Decode 0x0   DISABLED   Four Wire mode is disabled 0x1   ENABLED   Four Wire mode is enabled

Figure 15. 4-Wire SPI Setting.

6. **Generate a transmission**
  - a. In the Data Control block enter a Manchester Bitrate of interest and click the <Set> button.
  - b. Enter 0xAA in the “Messages” text box in the Data Control block.
  - c. Check the “Continuous” checkbox.
  - d. Click on the <Send Data> button, the button will change to <Stop>.
7. **Observe the output on the spectrum analyzer**
8. To manually change the transmitter to a different output power setting.
  - a. Click on the <Stop> button to end the data stream.
  - b. Click on the “06 PA1” register.
  - c. Click on the “PAPWR[2:0]” box and enter the binary value ‘100’.
  - d. Click on the <Send Data> button to restart the transmission.
9. Observe the RF output on the spectrum analyzer.

**FTHR Board Quick Start Procedure—Preset Interface**

Setup and Connect the MAX41461-MAX4164 EV Kit Hardware to the FTHR Board for a “Data” Signal Source.

1. **Verify all jumpers on the MAX4146x EV kit board are in the default position;** refer to [Table 2](#). *It is recommended the jumpers in [Table 3](#) be set to the output frequency for which the EV Kit is tuned (as noted on the hardware).*
2. **Connect the MAX4146x EV kit to the FTHR Board,** be sure the USB connector is oriented on the opposite side of the SMA connector (see [Figure 3](#)).

3. **Connect the FTHR Board to the PC** using a micro-B USB cable and observe a “heartbeat” on the FTHR board’s red LED.
4. **Connect the RF\_OUT to a spectrum analyzer** using a low-loss SMA cable.
  - a. Set the Center Frequency to the target frequency of interest.
  - b. Set the Span to 1% of the Center Frequency, the Resolution Bandwidth (RBW) to 1kHz, and the Video Bandwidth (VBS) to 3kHz.
  - c. Set the trace to “Max Hold”.
5. **Run the MAX4146x EV Kit Control Software GUI**
  - a. Select the appropriate COM port and click on the <Connect> button (see [Figure 6](#)).
  - b. Confirm the firmware status bar has changed from “MAX4146X x.x.x” to “MAX4146X 0.1.0” or similar, the software LED is lit green, and the port status is noted as “Connected” (see [Figure 7](#)).
  - c. Enter a supply level into the “Voltage” text box in units of V and click the <Set> button; for example, enter “3.0” for a 3.0V supply (see [Figure 8](#)).
  - d. Select the appropriate part in the “Chip” drop-down box and click the <Set> button (see [Figure 9](#)).
6. **Generate a data stream.**
  - a. In the Data Control block check the “Preset Mode” checkbox.
  - b. Select the Manchester Bitrate of interest and click the <Set> button.
  - c. Enter 0xAA in the “Messages” text box.
  - d. Check the “Continuous” checkbox.
  - e. Click on the <Send Data> button, the button will change to <Stop>.
7. **Observe the output** on the spectrum analyzer.

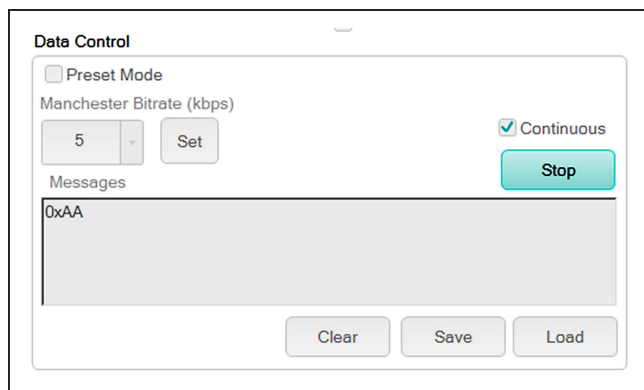


Figure 16. Data Control Block

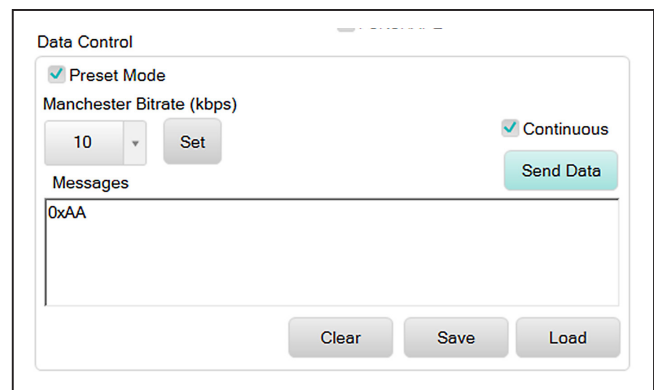


Figure 17. Preset Data



**Preset Quick Start Procedure—Without FTHR Board**

**Setup and Connect the MAX4146x EV Kit Hardware for Stand-Alone Operation**

1. **Verify all jumpers on the MAX4146x EV kit board are in the default position**; refer to [Table 3](#). *It is recommended the jumpers from [Table 3](#) be set to the output frequency for which the EV kit is tuned (as noted on the hardware).*
2. **Connect a 3.0V/100mA supply** to the MAX4146x EV kit at the VDD (**Red**) and GND (**Black**) points.
  - a. JU1 setting is not applicable (if the EV kit is still connected to the FTHR board, **JU1 must be “not installed”**).
  - b. **Enable** the power supply’s output.

3. **Connect the RF\_OUT to a spectrum analyzer** using a low-loss SMA cable and configure the equipment.
  - a. Set the Center Frequency to the same value as selected with the jumpers in step 1.
  - b. Set the Span to 1% of the Center Frequency, the Resolution Bandwidth (RBW) to 1kHz, and the Video Bandwidth (VBS) to 3kHz.
  - c. Set the trace to “Max Hold”.
4. **Connect a digital data signal to the DATAIN Test Point (Yellow) and GND (Black)**
  - a. Be sure the data levels match the power supply level used in step 2.
  - b. Begin streaming data.
5. **Observe the RF output** on the spectrum analyzer.

**Table 3a. MAX41461 EV Kit Preset States, ASK Modulation**

SEL1 (JU2)	SEL0 (JU3)	MODE/CENTER FREQUENCY (MHz)
GND	GND	I <sup>2</sup> C Interface
<b>GND</b>	<b>Open</b>	<b>315.0*</b>
GND	VDD	318.0
Open	GND	319.51
Open	Open	345.0
Open	VDD	908.0
VDD	GND	915.0
VDD	Open	433.92
VDD	VDD	433.42

**Table 3c. MAX41463 EV Kit Preset States, FSK Modulation**

SEL1 (JU2)	SEL0 (JU3)	MODE/CENTER FREQUENCY (MHz)
GND	GND	I <sup>2</sup> C Interface
GND	Open	315.0
GND	VDD	916.0
Open	GND	908.42
Open	Open	908.8
Open	VDD	908.0
<b>VDD</b>	<b>GND</b>	<b>915.0*</b>
VDD	Open	433.92
VDD	VDD	433.42

**Table 3b. MAX41462 EV Kit Preset States, ASK Modulation**

SEL1 (JU2)	SEL0 (JU3)	MODE/CENTER FREQUENCY (MHz)
GND	GND	I <sup>2</sup> C Interface
GND	Open	315.0
<b>GND</b>	<b>VDD</b>	<b>433.92*</b>
Open	GND	433.0
Open	Open	434.0
Open	VDD	868.3
VDD	GND	868.0
VDD	Open	868.5
VDD	VDD	868.35

**Table 3d. MAX41464 EV Kit Preset States, FSK Modulation**

SEL1 (JU2)	SEL0 (JU3)	MODE/CENTER FREQUENCY (MHz)
GND	GND	I <sup>2</sup> C Interface
GND	Open	315.0
<b>GND</b>	<b>VDD</b>	<b>433.92*</b>
Open	GND	868.42
Open	Open	868.95
<b>Open</b>	<b>VDD</b>	<b>868.30*</b>
VDD	GND	869.85
VDD	Open	868.5
VDD	VDD	868.35

\***default position**; the MAX41464EVKIT# is tuned to 433.92MHz, the MAX41464EVKIT-868 is tuned to 868.3MHz.

**Table 4. MAX4146x EV Kit Test Points**

NAME	COLOR	EVKIT FUNCTION
VDD	Red	1.8V to 3.6V Power Supply pin
GND	Black	Ground
DATIN/SDI	Yellow	TX data or SDI (MAX41460 only) interface
CLKOUT/SDO	Green	Clock output or SDO (MAX41460 only) interface

## Detailed Description

### Detailed Description of Hardware

#### MAX4146x EV Kit Printed Circuit Board

The MAX4146x evaluation kit PCB is manufactured on a 2-layer, 1oz copper, FR4 dielectric stack-up PCB. The board was designed to accommodate all five versions of the ISM transmitter: MAX41460, MAX41461, MAX41462, MAX41463, and MAX41464. Layer 1 is primarily designed to keep the RF signals on one side of the board with short traces, small matching components, and low parasitics. Layer 2 was targeted to be a continuous ground plane wherever possible.

#### Control Interface

There are three forms of interfacing to the MAX4146X device depending on the part installed: 3 or 4-wire SPI, “preset” or pin-configured, and the special case of an I<sup>2</sup>C control interface. The MAX41460 device will require a 3- or 4-wire SPI connection and the MAX4146x EV kit was designed to use the provided FTHR board interface

through the H1/H2 headers. Other MCU connections can be made through the JU4 PMOD header (see the [Pmod Interface](#) section).

#### Power

The MAX4146x EV kit board can be powered directly from the FTHR board PMIC through the H1 header, directly from the supply test points, or through the user-installed Pmod header. A single +1.8V to +3.6V, 100mA power supply can be connected to the board using the two wire loops (marked VDD and GND). Jumper JU1 selects the source of power when not using the direct connection test points: from the L3OUT of the FTHR board or the PVIO of the Pmod connector.

#### Data Interface

The MAX4146x EV kit comes preconfigured to directly connect the FTHR board through the H1/H2 headers to the SPI and the I<sup>2</sup>C interfaces. The GUI will determine which bus is used to communicate to the device based on the “Chip” selected in the software.

## MAX4146x ASK/FSK TRANSMITTER EV KIT

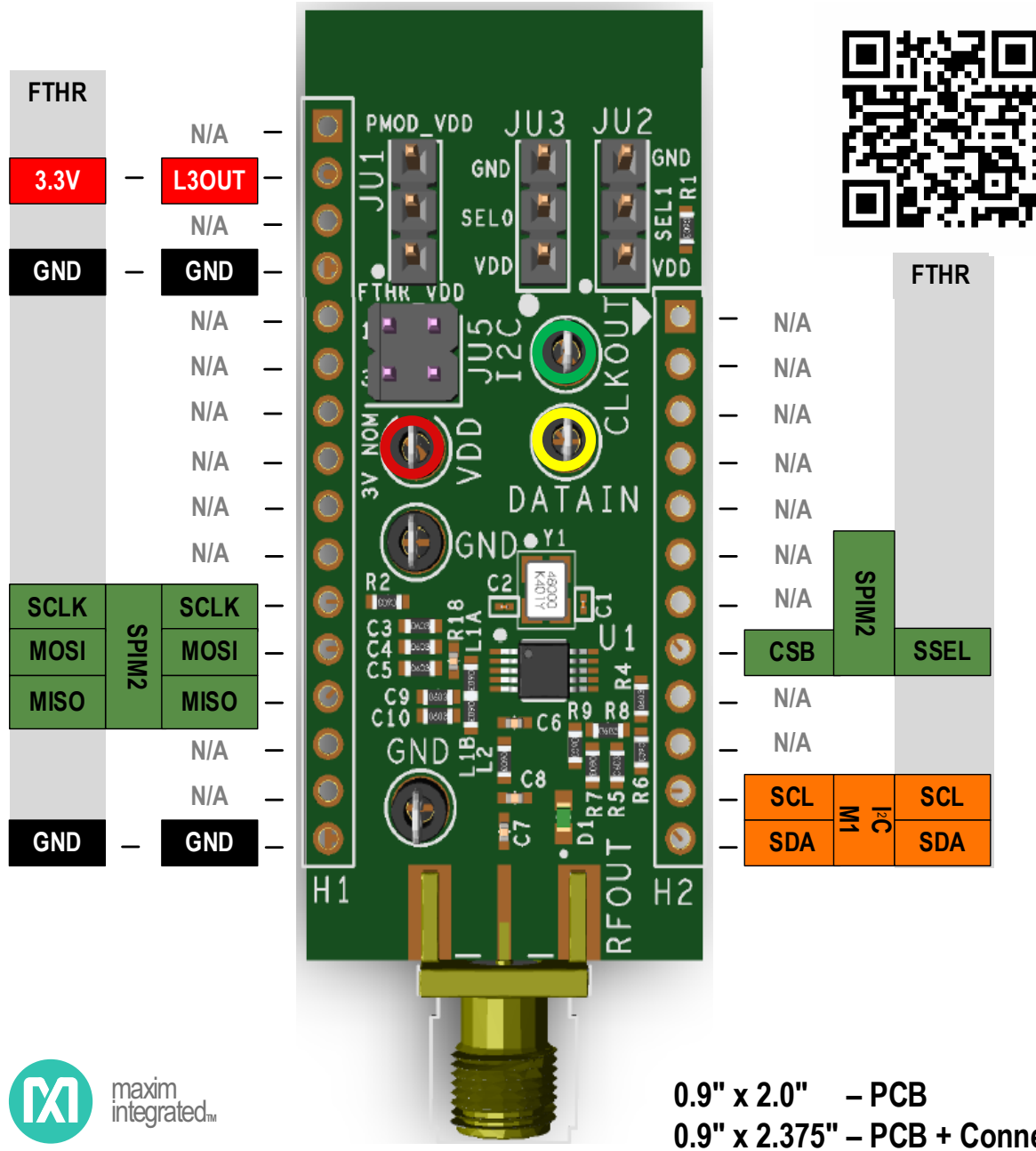


Figure 18. MAX4146X EV Kit Interface

### Clock Output

When sending data to a MAX41461–MAX41464 in preset mode the CLKOUT pin will drive an 800kHz clock signal. This clock output signal can be monitored with the **Green** CLKOUT test point. Note the output from the MAX41461–MAX41464 is not designed to drive a high capacitive load and may cause noticeable  $\pm 800\text{kHz}$  spurs in the spectrum when the CLKOUT test point is connected to a capacitive load of more than 10pF. A typical, low-end oscilloscope probe may be enough to cause these spurs.

### I<sup>2</sup>C Pullups

Resistors R14 and R15 along with jumper JU5 have been provided as on-board pull-ups required for proper I<sup>2</sup>C interfacing and termination. When using a MAX41461–MAX41464 device in preset mode, the DATAIN line should be held low at power-up for proper configuration, therefore, the R16, 100k $\Omega$  is the default connection. When used in I<sup>2</sup>C mode, the DATAIN pin is used instead as the I<sup>2</sup>C, SDA line. Likewise, the CLKOUT pin is used as the I<sup>2</sup>C SCL input. These pins are open-collector (or open-drain) outputs from a the MCU and need to have pullup resistors to operate properly. Two 4.7k $\Omega$  resistors are pre-populated on the MAX4146x EV kit and can be connected to the positive supply by shorting the JU5 jumper 1-2 and 3-4. This should only be connected when the preset pins (SEL0 and SEL1) are both connected to ground, selecting the I<sup>2</sup>C interface mode of the MAX4146x. It should be noted that the FTNR board also has footprints for I<sup>2</sup>C pullup

resistors at R6 and R11. Both sets of pullup resistors (on the FTNR board and the MAX4146x EV kit) should not be populated simultaneously, otherwise incorrect I<sup>2</sup>C signal levels may result. Refer to [Appendix II](#) for detailed information on evaluation kit hardware modifications.

### Data Indicator

An option available on the evaluation kit layout is the ability to connect a surface-mount LED (D1, 0603) and resistor (R9, 0603, 470 $\Omega$  recommended) to provide visual feedback of the activity on the DATAIN line. Populating this LED and resistor will cause additional power consumption and is not included by default in the evaluation kit assembly.

### Pmod Interface

The MAX4146x EV kit provides a Pmod-compatible header footprint to interface with the transmitter. The JU4 connector can be populated with a 6-pin, 100mil, right-angle header allowing direct connections to the CSB, DATAIN, CLKOUT, SCLK/SDA, ground, and VDD lines, making it capable with either SPI or I<sup>2</sup>C Pmod interfacing. Populating this header would allow control from the MAX32600MBED kit and the MAXREFDES72# Arduino Uno R3 to Pmod shield adaptor. When using the Pmod interface to supply the MAX4146x EV kit with power, make sure to connect the JU1 jumper between pins 2-3. Refer to [Appendix II – Hardware Modifications](#) for detailed information on evaluation kit hardware modifications.

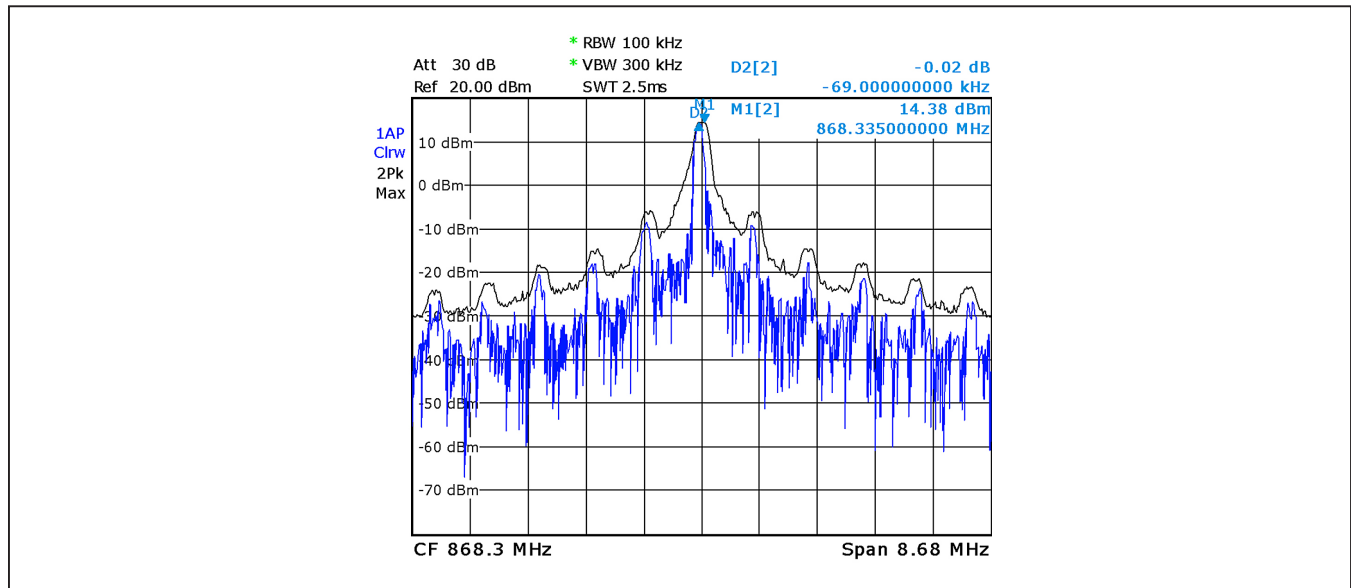


Figure 19. 800kHz Spurs from Excessive CLKOUT Loading

### Detailed Description of Software

The MAX4146x EV kit Controller GUI Software is designed to control the MAX4146x evaluation kit board and the MAX32630FTHR board as shown in [Figure 3](#). The software includes USB controls which provide SPI, I<sup>2</sup>C, or data-only communication to the MAX4146X through the FTHR board interface.

#### Comport

The COM Port section provides a drop-down selection of serial communication ports available for connection to a MAX4146X evaluation kit through a FTHR board. When the GUI is run after connecting the evaluation kit hardware, the drop-down box should default to the proper COM Port. If the hardware is connected to the computer after the GUI is started, click on the <Refresh> button to scan for compatible ports. Once the appropriate COM Port is selected in the drop-down box, click on the <Connect> button. (See [Figure 6](#))

After properly connecting to the COM Port with the FTHR board, the GUI will display the revision of FTHR board firmware detected, display a Green “LED”, and display “Connected” in the status bar along the bottom of the GUI window. ([Figure 7](#))

#### Voltage (1.8–3.3V)

The Voltage section provides a user-adjustable power supply from the FTHR board MAX14690N Power Management IC (PMIC) to the **MAX4146x EV kit** and can be used as the primary VDD supply. The PMIC, L3OUT can be set to voltages between 1.8V to 3.3V and it applies

to the level of the logic interface lines as well as the device supply. ([Figure 8](#))

To program the supply voltage, enter a valid level in the “Voltage” text box and click on the <Set> button. The default value of the L3OUT voltage is 3.3V.

When using the FTHR board interface to supply the **MAX4146x EV kit** with power, make sure to connect the JU1 jumper between pins 1-2.

#### Chip

The Chip section must be set by the user to properly select which type of **MAX4146x EV kit** is attached to the FTHR board. This selection will configure the GUI software to interface through the SPI pins (when MAX41460 is selected), through the I<sup>2</sup>C pins, or provide a simple data stream to the device (when the MAX41461, MAX41462, MAX41463, or MAX41464 are selected).

To select the part, chose the appropriate part in the “Chip” drop-down box and click on the <Set> button. ([Figure 9](#))

#### Crystal Frequency (12.8MHz–19.2MHz)

The Crystal Frequency section allows the user to indicate the frequency of the crystal installed on the **MAX4146x EV kit** ( $f_{XTAL}$ ). All evaluation kits come prepopulated with a 16.000MHz crystal and the default setting in the GUI is assumed to be 16.0MHz. This value can be adjusted between 12.8MHz and 19.2MHz and will be used when programming frequency-basted registers that are dependent on the  $f_{XTAL}$  value.

To configure the reference oscillator, enter a valid frequency (in MHz) in the “Crystal Frequency” text box and click on the <Set> button. ([Figure 10](#))

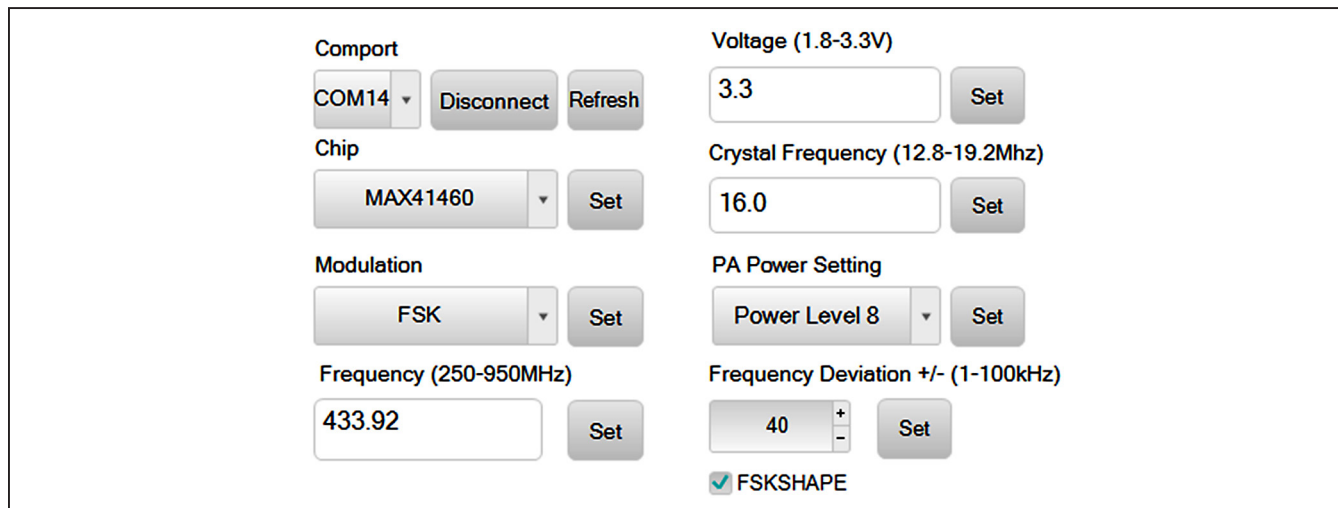


Figure 20. MAX4146x EV Kit GUI Configuration

**Modulation**

The Modulation section allows the user to quickly set the form of modulation for the MAX4146x device. When a MAX41461 or MAX41462 device is selected, only ASK modulation will be available in the drop-down box. Similarly, when MAX41463 and MAX41464 is selected, only FSK will be available in the drop-down box. This section directly programs the MODMODE bit [0] in the CFG1 register (0x00).

To select the modulation, chose ASK or FSK in the “Modulation” drop-down box and click on the <Set> button. (Figure 11)

**PA Power Setting**

The PA Power Setting section allows the user to quickly set the power level of the PA. This section directly programs the PAPWR bits [2:0] in the PA1 register (0x06). The maximum output power is obtained by selecting “Power Level 8” or 111b in the register. The default minimum output power for the MAX4146x when interfacing through I2C and SPI is “Power Level 1” or 000b in the register. Each bit can adjust the PA output by approximately 2.5dB.

To select the output power level, choose the appropriate “Power Level” in the “PA Power Setting” drop-down box and click on the <Set> button. (Figure 12)

The power level can also be set manually through the [Direct Register Access](#) Section by clicking on the 06 PA1 (0x06) register, clicking on the PAPWR[2:0] field, and typing in a binary value between 000b and 111b.

**Frequency**

The Frequency section is used to set the carrier or “center” frequency of the MAX4146x (f<sub>C</sub> or f<sub>LO</sub>). The value entered in this section will be used to calculate the 3-word Fractional-N value programmed into the PLL3 (0x0B), PLL4 (0x0C), and PLL5 (0x0D) registers. The GUI will calculate the values for the PLL registers using the Crystal Frequency and the following formula:

**Equation 1:**

$$FREQ [23 : 0] = Round \left( \frac{65536 \times f_C}{f_{XTAL}} \right)$$

To program the carrier, enter a valid frequency (in MHz) into the “Frequency” text box and click on the <Set> button. (Figure 13)

**Frequency Deviation**

The Frequency Deviation section is used to set the FSK deviation values (Δf) and the Gaussian shaping bit. The value entered in this section is used to calculate the 7-bit content for the PLL6 (0x0E) register. This calculation will also use the value entered for the [Crystal Frequency](#) section. The formula for setting the register value is:

**Equation 2:**

$$DELTA AF [6 : 0] = Floor \left( \Delta f \times \frac{8192}{f_{XTAL}} \right)$$

To program the Δf, enter a valid frequency (in kHz) into the “Frequency Deviation” text box and click on the <Set> button. (Figure 14)

The GUI software will adjust the carrier frequency based on ½ of this Δf value to maintain the center of the FSK signal. This will place f<sub>SPACE</sub> at f<sub>C</sub> – Δf/2 and f<sub>MARK</sub> at f<sub>C</sub> + Δf/2. If the center frequency is adjusted and programmed after setting the Frequency Deviation, then f<sub>SPACE</sub> = f<sub>C</sub> and f<sub>MARK</sub> = f<sub>C</sub> + Δf. To reset the center of the FSK signal to f<sub>C</sub>, simply click on the Frequency Deviation <Set> button again.

**Data Control Section**

This portion of the GUI software provides a flexible tool for the user to generate data for SPI, I2C, or the preset parts, all from a single interface.

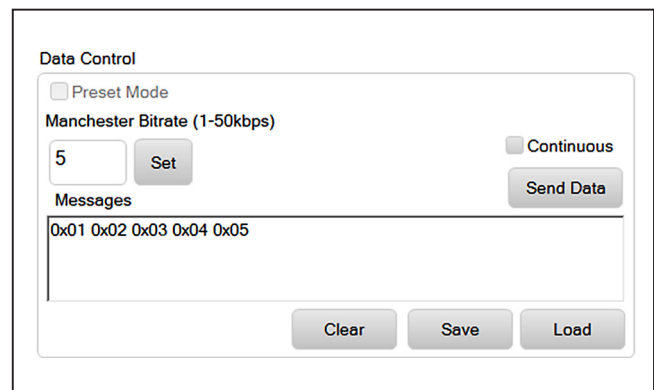


Figure 21. Preset Data

**Preset Mode**

When using a MAX41461-64 evaluation kit in preset mode, the GUI can provide simple Manchester encoded data directly to the DATAIN pin of a connected device. Simply select the <Preset Mode> checkbox to generate this data without any other interfacing. All the following settings are then used to format a data stream to send directly to the DATAIN pin on the attached MAX4146x EV kit.

**Manchester Bitrate**

This is the data rate in kbps for Manchester encoded data. Enter a value in the text box and click the <Set> button to configure the Data Control.

When communicating with a MAX41461–MAX41464 in I<sup>2</sup>C mode, this bitrate value will be used to program the Baud Clock values BCLK\_POSTDIV[2:0] in the CFG2 (0x01) register and the BCLK\_REDIV[7:0] in the CFG3 (0x02) register. According to the formula:

**Equation 3:**

$$BAUDRATE = \frac{f_{CLK}}{(1 + BCLKPREDIV) \times 2^{(1+BCLKPOSTDIV)}}$$

**Equation 4:**

Where:  $f_{CLK} = \frac{f_{XTAL}}{XODIV \text{ Ratio}}$

with default settings of :  $f_{CLK} = \frac{16MHz}{5} = 3.2MHz,$

BCLKPOSTDIV = 1 to 5, and BCLKPREDIV = 3 to 255

Using the following equation and the default crystal frequency, the BCLK\_PREDIV can be calculated from the target baud rate using ranges set by BCLK\_POSTDIV:

**Equation 5:**

$$BCLKPREDIV = \frac{3.2MHz}{BAUDRATE \times 2^{(1+BCLKPOSTDIV)}} - 1$$

**Equation 5a:**

$$BCLKPREDIV = \frac{800kHz}{BAUDRATE} - 1,$$

when BCLK\_POSTDIV = 1

**Equation 5b:**

$$BCLKPREDIV = \frac{400kHz}{BAUDRATE} - 1,$$

when BCLK\_POSTDIV = 2  
etc...

When using devices in I<sup>2</sup>C mode, this baud rate must not exceed the rate at which data is being written to the TX Data FIFO. Otherwise, the buffer will be emptied (under-flow) with the first packet transfer and the MAX41461-MAX41464 will exit transmission mode. Generally, that baud rate is 8/9 of the SCL rate, which for the FTMR board interface  $f_{SCL} = 400kHz$ . Therefore, the maximum baud rate of 200kbaud is obtainable using the evaluation kit setup in I<sup>2</sup>C mode.

**Continuous Transmission**

Selecting this check box will configure the Data Control interface so the message or data sequence will repeat until the user interrupts the transmission. For example: when a “0xAA” message is sent with <Continuous> unchecked, the sequence of 1-0-1-0-1-0-1-0 bits will be transmitted a single time. When the <Continuous> is checked, the <Send Data> process will continuously send a repeating sequence of 1-0-1-0-1-0-1-0-1-0-1-0-1-0-1-0-1-0... bits, emulating a square wave data pattern.

**Table 5. Baud Rate Programming**

BCLK_POSTDIV	MIN BAUD (BCLK_PREDIV = 255)	MAX BAUD (BCLK_PREDIV = 3)	BCLK_PREDIV RESOLUTION
1	3125Hz	200kHz	~12Hz to 40kHz
2	1562.5Hz	100kHz	~6Hz to 20kHz
3	~781.3Hz	50kHz	~3Hz to 10kHz
4	~390.6Hz	25kHz	~1.5Hz to 5kHz
5	~195.3Hz	12.5kHz	~0.8Hz to 2.5kHz

**Messages Text Block and Message File**

The <Messages> text block contains a hexadecimal encoded data string to be transmitted with the FTTH board over the data interface. This message is formatted differently depending on the “Chip” selected and the mode of operation. For example, when in preset mode the data is streamed directly to the DATAIN pin of the MAX4146x evaluation kit. When in I<sup>2</sup>C mode, the message is packetized and formatted across the I<sup>2</sup>C registers for transmission at the baud rate set with the “Manchester Bitrate” control noted previously. Finally, when used with a MAX41460 SPI device, the CSB and DATA pins are used to transmit the message at the bitrate noted previously.

Tools are provided to allow the user to quickly load complex test packets generated outside of the GUI. The <Clear>, <Save>, and <Load> buttons help control the contents of the <Messages> text block.

By clicking on the <Clear> button, any contents in the <Messages> text block will be deleted.

Clicking the <Save> button will store the contents of the <Messages> block to a file. A “Save As” explorer window will open, and the user will be prompted to save a .txt file.

Clicking the <Load> button will pop-up an “Open” window and prompt the user for a .txt file to load into the <Messages> text block.

**Tool History Section**

This portion of the GUI contains a Log File text block which is used to record activity within the GUI.

**Log File**

For every <Set>, connection effort, or register programming action, the GUI activity is logged in this text block. The user can add notes and make edits to the content of the Log File text block.

Clicking on the <Clear Log File> will delete the contents in the text block.

Clicking the <Save Log File> button will open a “Save As” explorer window and the user will be prompted to save a .txt file.

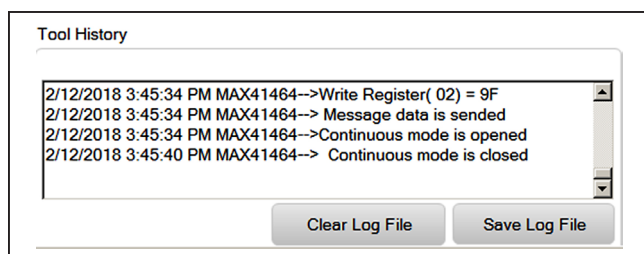


Figure 22. Tool History

**Direct Register Access Section**

The GUI software allows for direct access to all the available register when interfacing with both the MAX41460 SPI-based device or the MAX41461-64 devices in I<sup>2</sup>C mode.

**Register List**

On the left-hand side of the *Register Interface* section is a list of the device’s internal registers. Each register address/name (e.g., “00 CFG1”) acts as an active control and by clicking on an individual register, the contents will be presented in the *Register Value* section.

**Register Value**

The right-hand side of the *Register Interface* section displays the content of the selected device register. At the top of the block, a header displays the name of the selected register (e.g., “CFG1”), the “Index” or address of the register in both decimal (“0d”) and hexadecimal (“0000h”) form.

The body of this section shows a table with the names of the individual bits for the selected 8b register along with the current value programmed into each bit or bit group.

The remaining portion of the body shows a table with the bit indexes, the type of register (write/read), the name of the bit or bit group, the Reset value, and a description of the bit or bit group.

**Read and Write Registers**

Most of the registers in the MAX4146x are both readable and writable. The read-only registers are I2C4 (0x14), I2C5 (0x15), I2C6 (0x16), ID1 (0x1B), ID2 (0x1C), and STATUS (0x1D). Writing values to a register can be accomplished by selecting the register of interest, typing a Hex or Dec value into the “Value” text box, and clicking on the <Write Register X> button (where X is the decimal address of the register). Reading the register content is similar: select the register of interest and click on the <Read Register X> button.

**Register Bit Field**

Individual bits or bit groups can be programmed without having to enter the full value of the register. To program a bit or group of bits, first select the register of interest (PA1, 0x06 for example), next select the bit or bit group to be changed (PAPWR[2:0] as an example), enter the binary code for the new value (111b), and hit <Enter>--the new value will automatically be reflected in the “Value” text box and will be written to the device.



### Miscellaneous Software Information

The tool bar along the top of the GUI software provides a couple of options to the user.

#### File and Help Menu

Selecting File > Exit from the tool bar will close the GUI program. This has the same effect as clicking the <X> button in the upper-right corner of the GUI software.

Selecting Help > About from the tool bar will display the splash screen. This window shows the name of the software, the revision number, a copyright notice, a link to the Maxim website, a link to the support website, and a checkbox to enable or disable the splash screen during startup. Click the <OK> button to close the About window.

#### .xml File

The register descriptions for the MAX4146X GUI is available in an .xml file which is stored with the executable in the application directory. The default file loaded when the GUI is initialized is `RegisterSet8.XML`. This file can be edited as needed to adjust the names of fields, provide simple indicators to the GUI user, or allow for flexible updates to the GUI interface in the future.

### Use Cases

#### Three Interface Modes for Data Transmission and Control

The MAX4146x family of parts allow a great deal of flexibility when it comes to transmitting data. Typically, the fewer pins used to interface with the device, the simpler it is to control and transmit data.

#### Preset Mode

Preset mode is the simplest interface of the three options. It relies on the part number to choose the modulation (MAX41461 and MAX41462 for ASK; MAX41463 and MAX41464 for FSK) and jumper settings (or tri-level pin connections) to configure the part for a defined carrier frequency (See [Table 3](#)).

The preset mode data interface requires only one pin to transmit data, wake-up, and shut-down the transmitter. To accomplish this the MAX4146x uses an auto-data-detection process on the DATAIN connection to determine when to power-up and transmit and when to shut down.

The baud rate and encoding of the transmission data is defined by the user simply by creating a virtual connection between DATAIN and the PA (DATAIN H/L = on/off for ASK modulation or mark/space for FSK modulation). Input to DATAIN is interpreted as an NRZ data sequence and if a particular encoding format is required (pulse width, Manchester, etc) the input

sequence can be directly encoded by the MCU onto DATAIN—what goes in is what comes out.

#### I<sup>2</sup>C Mode

The I<sup>2</sup>C interface mode allows the user to access the internal registers of the MAX41461-64 devices, permitting full control over the transmission frequency, modulation setting, programmable output power, sophisticated low-power and low-noise operational settings, etc.

This mode only requires two digital pins to interface with the transmitter but has a more complicated, packet-based method of transmission. Once configured for I<sup>2</sup>C interfacing, the DATAIN connection is used as the SDA line of the I<sup>2</sup>C bus. Data transmission is handled by sending data packets to the internal FIFO over the I<sup>2</sup>C interface. The FIFO data are then transmitted at the pre-programmed baud rate and the transmission is halted when either of two conditions are met: 1) the PKTLEN value has been reached, or 2) a FIFO underflow (or overflow) occurs. The register-programmed baud rate defines the frequency at which NRZ data are transmitted. If other data encoding formats are required (pulse width, Manchester, etc), either the I<sup>2</sup>C data packet can be formatted to emulate the encoding or the other modes of operation (Preset or SPI Mode) should be used.

All the MAX41461-MAX41464 devices are identified with an I<sup>2</sup>C address of 0xD2 for write and 0xD3 for read sequences. Packet transmission is described in the various device data sheets within the “*Two-Wire I<sup>2</sup>C Serial Interface*” section.

#### SPI Mode

The SPI interface is only available on the MAX41460 device. Similar to the I<sup>2</sup>C mode devices, the SPI interface allows access to the internal registers of the transmitter. This permits the user to have full control over the same properties of transmission frequency, modulation setting, programmable output power, sophisticated low-power and low-noise operational settings, etc.

This mode allows for either a 3-wire interface (write-only) or a 4-wire read/write interface. Data transmission is handled with a three-step process: 1) transition the CSB line low; 2) perform any register configurations then switch to transmit mode by setting the SPI\_TXEN1 bit in the CFG6 (0x0A) register or the SPI\_TXEN2 bit in the CFG7 (0x0B) register; 3) hold the CSB line low and sequence the DATAIN line just like in preset mode operation. Taking the CSB line high will end transmission and cause the MAX41460 to enter shut down or standby mode (determined by register settings).

The baud rate and encoding of the transmission data is defined by the user simply by creating a virtual connection between DATAIN and the PA (DATAIN H/L = on/off for ASK modulation or mark/space for FSK modulation). Input to DATAIN is interpreted as an NRZ data sequence and, if a particular encoding format is required (pulse width, Manchester, etc.), the input sequence can be directly encoded by the MCU onto DATAIN—what goes in is what comes out.

A full description of the SPI interface can be found in the “*Serial Peripheral Interface (SPI)*” section of the MAX41460 device data sheets.

### Clock Output

The CLKOUT pin on the MAX4146x devices is available for synchronous interfacing to an MCU in the transmitter application.

When MAX41461-MAX41464 devices are used in preset mode, the CLKOUT pin provides an 800kHz square wave output signal when the device is active. If these parts are used in I<sup>2</sup>C mode, the CLKOUT pin is repurposed as the SCL pin and there will no longer be an output clock signal.

When a MAX41460 device is configured for a 3-wire SPI interface, the CLKOUT pin will provide an 800kHz square wave output signal when the device is active. If the MAX41460 is configured for a 4-wire SPI interface, the CLKOUT pin is repurposed as the SDO or MISO pin. There will not be an output clock signal but rather the read-sequence serial data output.

As noted in the [Detailed Description of Hardware](#) section, the CLKOUT pin is not designed to drive a high capacitive load and may cause noticeable  $\pm 800\text{kHz}$  spurs in the transmission spectrum when it is connected to a capacitive load of more than 10pF.

### High Power “Boost” Mode

Boost mode in the MAX4146x is accessible whenever the user is interfacing with the transmitter’s registers through I<sup>2</sup>C or SPI. Use of the boost mode is not recommended on unmodified evaluation kit when operating at frequencies below 850MHz because the larger voltage swings imposed on the PA output may exceed the Absolute Maximum ratings of the device.

Setting the boost mode in the MAX4146x changes the “on” duty cycle of the PA output stage FETs from 25% of

the programmed transmission frequency to 50%. To make this change, select the SHDN (0x05) register and set the PA\_BOOST bit to 1b.

Higher output power can also be accomplished with adjustments to the output matching network. See [Appendix II – Hardware Modifications](#) for more details.

For additional information on switch-mode PAs similar to the one used in this transmitter, see *Application Note 3589 – Power Amplifier Theory for High-Efficiency Low-Cost ISM-Band Transmitters*. Refer to [Appendix II – Hardware Modifications](#) for detailed information on hardware modifications.

### Shutdown, Standby, and Program Modes

When communicating with a MAX41460 device or the MAX41461-64 device in I<sup>2</sup>C mode, the part can be programmed to power-down into one of three low-current, non-transmitting states after completing a transmission: shutdown, standby, and program mode.

Shutdown is the lowest-current power-down state and is the default condition for all devices, including parts used in preset mode. Standby allows the transmitter to startup quicker than shutdown by keeping the crystal oscillator circuit running. Finally, programming mode keeps both the crystal oscillator and the PLL running allowing for the quickest transition from programming to full transmission.

To set the power-down mode, click on the CFG4 (0x03) register, select the PWDN\_MODE[1:0] and enter a value of 01b for standby mode. The program mode value is 10b and the default value for shutdown mode is 00b.

### Variable Capacitance

As noted in the data sheet, the PA output has an inherent capacitance (approximately 4.7pF). The MAX4146x family of transmitters have a 5-bit programmable capacitance value which can help the user ‘tune’ the output network by varying the PA capacitance. Each step of the programmable capacitance has a nominal resolution of 0.18pF ranging from a total of 4.7pF to about 10pF.

To program this value click on the PA2 (0x07) register, select the PACAP[4:0] bit group, and enter a value for the adjustable capacitance such as 1000b. The default value is no added capacitance: 00000b.

**PLL Control**

The MAX4146x transmitter has two modes of operation for the PLL: low-current and low phase noise mode. Low current mode uses an internal ring oscillator VCO which has advantages in power consumption and tunability, allowing for continuous tuning from 286MHz to over 960MHz. The low phase noise mode switches the PLL over to an LC VCO providing a more controlled, higher-Q reference with the limitation of fixed operating bands of 286MHz~320MHz, 425MHz~480MHz, and 860MHz~960MHz (defined by the N-divider).

To switch from the default ring-oscillator VCO to the LC VCO, click on the PLL1 (0x08) register, select the LOMODE bit, and enter the value of 1b. Next, select the LODIV[1:0] bit group and program the divider ratio based on the targeted operating frequency.

When switching back to the ring-oscillator VCO, be sure to set the LOMODE bit back to 0b and the LODIV[1:0] bit group back to 00b.

**Chip ID**

Register ID1 (0x1B) provides a readable identification number for the device. When communicating with a MAX41460 device, the ID value will be reported as 0x6F. When communicating with a MAX41461–MAX41464 device in I<sup>2</sup>C mode, the ID value will be reported as 0x60.

The ID2 register (0x1C) provides a readable revision number for the device. The default value for this register is 0x0A. This register can easily be used as a confirmation of proper I<sup>2</sup>C and 4-wire SPI communication simply by reading-back the value of the ID2 register to confirm the result as “0x0A”.

**Table 6. VCO Divider Settings**

VCO	LO MODE SETTING	FREQUENCY RANGE (MHz)	LODIV[1:0] SETTING
Ring Oscillator*	0b	286~960MHz	00b
LC VCO	1b	286~320	11b
LC VCO	1b	425~480	10b
LC VCO	1b	860~960	01b

\*Default

**Ordering Information**

PART	TYPE
MAX41460EVKIT#	SPI Interface at 434MHz
MAX41461EVKIT-315	Preset/I <sup>2</sup> C Interface at 315MHz
MAX41462EVKIT-434	Preset/I <sup>2</sup> C Interface at 434MHz
MAX41463EVKIT-915	Preset/I <sup>2</sup> C Interface at 915MHz
MAX41464EVKIT-868	Preset/I <sup>2</sup> C
MAX41464EVKIT#	Preset/I <sup>2</sup> C at 434MHz
MAX32630FTHR#	ARM mBed FTHR Platform

#Denotes a RoHS-compliant device that may include lead(Pb) that is exempt under the RoHS requirements.

## MAX4146x EV Kit Component List

PART	QTY	DESCRIPTION
C1, C2	2	5pF $\pm$ 0.25pF Capacitor (01005) muRata GRM0225C1H5R0CA03
C3	1	0.47 $\mu$ F $\pm$ 10% Capacitor (0603) muRata GRM188R71C474K
C4	1	0.01 $\mu$ F $\pm$ 5% Capacitor (0603) muRata GRM1885C1H103JA01
C5	1	220pF $\pm$ 5% Capacitor (0603) muRata GRM1885C1H221JA01
C6	1	3.3pF $\pm$ 0.25% Capacitor (0402) muRata GRM1555C1H3R3BA01D
C7	1	100pF $\pm$ 5% Capacitor (0402) muRata GRM1555C1H101JA01
C8	1	4.7pF $\pm$ 0.1% Capacitor (0402) muRata GJM1555C1H4R7BB01
C9, C10	1	DNP
CLKOUT	1	Test Point Keystone 5126
D1	1	DNP
DATAIN	1	Test Point Keystone 5014
GND, GND1	2	Test Point Keystone 5011
H1	1	Connector Male Through Hole Sullins PRPC016SFAN-RC
H2	1	Connector Male Through Hole Sullins PRPC012SFAN-RC
JU1-JU3, JU5	3	Connectors Male Through Hole Sullins PEC03SAAN / PEC02SAAN

PART	QTY	DESCRIPTION
JU4	1	DNP
L1A	1	5.6nH $\pm$ 5% Inductor (0603) muRata LQW18AS5N6J0Z
L1B	1	DNP
L2	1	18nH $\pm$ 5% Inductor (0603) muRata LQW18AN18NJ80
R1-R5	5	DNP (MAX41464)
R6-R8	3	0 $\Omega$ $\pm$ 0% Resistor (0603) Vishay Dale CRCW06030000Z0
R9-R13, R17-R18	7	DNP
R14, R15	2	4.7k $\Omega$ $\pm$ 5% Resistor (0603) Panasonic ERJ-3GEYJ472V
R16	1	100k $\Omega$ $\pm$ 1% Resistor (0603) Panasonic ERJ-3EKF1003
RFOUT	1	SMA Connector Johnson Components 142-0701-851
SU1-SU3, SU5	4	Test Point Jumpers Sullins STC02SYAN
U1	1	MAX41464GUB+ TSSOP10
VDD	1	Test Point Keystone 5013
Y1	1	16 MHz Crystal Epson TSX-3225 16.0000MF18X-AC0

## Component Suppliers

SUPPLIER	WEBSITE
Epson America	<a href="http://www5.epsondevice.com">www5.epsondevice.com</a>
Johnson Components/Cinch	<a href="http://belfuse.com/cinch">belfuse.com/cinch</a>
Keystone	<a href="http://www.keyelco.com">www.keyelco.com</a>
Murata Electronics North America, Inc.	<a href="http://www.murata.com">www.murata.com</a>
Panasonic	
Sullins	<a href="http://www.sullinscorp.com">www.sullinscorp.com</a>
Vishay Dale	<a href="http://www.vishay.com">www.vishay.com</a>

**Note:** Indicate that you are using the MAX4146x when contacting these component suppliers.

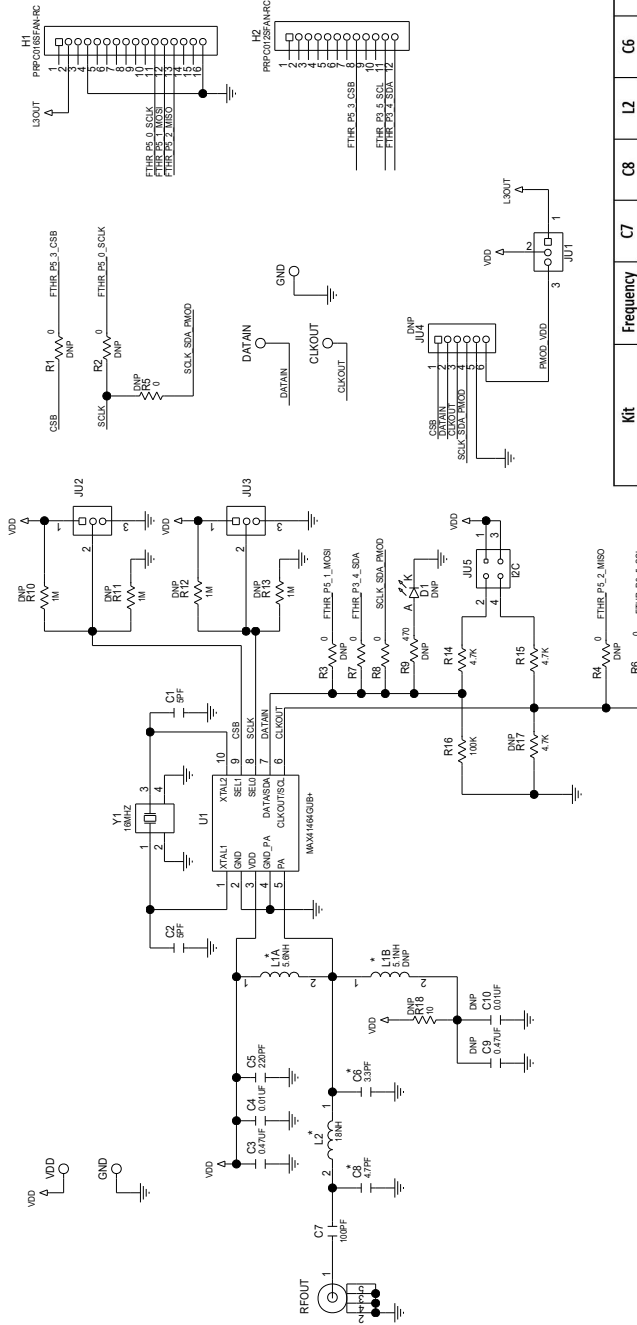
# MAX4146x Evaluation Kit

Evaluates: MAX41460/1/2/3/4

## MAX4146x EV Kit Bill of Materials

ITEM	REF_DES	DWIDNP	QTY	MFG PART #	MANUFACTURER	VALUE	DESCRIPTION
1	C1, C2	—	2	GRM0225C1H5R0CA03	MURATA	5PF	CAP, SMT (01005); 5PF; ±0.25PF; 50V; COG; CERAMIC CHIP;
2	C3	—	1	C0603C474K4RAC, GRM188R71C474K	KEMET,MURATA	0.47UF	CAPACITOR; SMT; 0603; CERAMIC; 0.47uF; 16V; 10%; X7R; -55°C to + 125°C; 0 ±15%°C MAX.
3	C4	—	1	C1608C0G1H103J, CGA3E2C0G1H103J080AD; GRM188SC1H103JA01	TDK;TDK,MURATA	0.01UF	CAPACITOR; SMT (0603); CERAMIC CHIP; 0.01UF; 50V; TOL = 5%; TG = -55°C to +125°C; TC = COG
4	C5	—	1	GRM188SC1H221JA01	MURATA	220PF	CAPACITOR; SMT (0603); CERAMIC CHIP; 220PF; 50V; TOL = 5%; TG = -55°C TO +125°C; TC = COG
5	C6	—	1	GRM1555C1H3R3BA01	MURATA	3.3PF	CAP, SMT (0402); 3.3PF; ±0.1PF; 50V; COG; CERAMIC CHIP
6	C7	—	1	C0402C101J5GAC,NM0402NPO101J; CC0402JRN09B101;GRM1555C1H101JA01; C1005C0G1H101J050,CGA2B2C0G1H101J050BA	KEMET,NIC COMPONENTS CORP.; YAGEO PHICOMP,MURATA,TDK;TDK	100PF	CAPACITOR; SMT (0402); CERAMIC CHIP; 100PF; 50V; TOL = 5%; TG = -55°C TO +125°C; TC = COG
7	C8	—	1	GJM1555C1H4R7BB01	MURATA	4.7PF	CAPACITOR; SMT (0402); CERAMIC CHIP; 4.7PF; 50V; TOL = 0.1PF; TG = -55°C TO +125°C; TC = COG
8	CLKOUT	—	1	5126	KEYSTONE	N/A	TEST POINT; PIN DIA = 0.125IN; TOTAL LENGTH = 0.445IN; BOARD HOLE = 0.063IN; GREEN; PHOSPHOR BRONZE WIRE SILVER PLATE FINISH;
9	DATAIN	—	1	5014	KEYSTONE	N/A	TEST POINT; PIN DIA = 0.125IN; TOTAL LENGTH = 0.445IN; BOARD HOLE = 0.063IN; YELLOW; PHOSPHOR BRONZE WIRE SILVER PLATE FINISH;
10	GND, GND1	—	2	5011	KEYSTONE	N/A	TEST POINT; PIN DIA = 0.125IN; TOTAL LENGTH = 0.445IN; BOARD HOLE = 0.063IN; BLACK; PHOSPHOR BRONZE WIRE SILVER PLATE FINISH;
11	H1	—	1	PRPC016SFAN-RC	SULLINS ELECTRONICS CORP	PRPC016SFAN-RC	CONNECTOR, MALE; THROUGH HOLE; PRPC SERIES; STRAIGHT; 16PINS
12	H2	—	1	PRPC012SFAN-RC	SULLINS ELECTRONICS CORP	PRPC012SFAN-RC	CONNECTOR, MALE; THROUGH HOLE; PRPC SERIES; STRAIGHT; 12PINS
13	JU1-JU3	—	3	PEC033AAN	SULLINS	PEC033AAN	CONNECTOR, MALE; THROUGH HOLE; BREAKAWAY; STRAIGHT; 3PINS
14	JU5	—	1	PEC02DAAN	SULLINS ELECTRONIC CORP.	PEC02DAAN	CONNECTOR, MALE; THROUGH HOLE; BREAKAWAY; STRAIGHT; 4PINS
15	L1A	—	1	LQW18ASN6J0Z	MURATA	5.6NH	INDUCTOR; SMT (0603); WIREWOUND; 5.6NH; 5%; 0.7A
16	L2	—	1	LQW18AN18N8J0Z	MURATA	18NH	INDUCTOR; SMT (0603); WIREWOUND; 18NH; 5%; 1.4A
17	R6-R8	—	3	CRCW0603000020	VISHAY DALE	0	RESISTOR; 0603; 0Ω; 0%; JUMPER; 0.1W; THICK FILM
18	R14, R15	—	2	ERJ-3GEYJ472V	PANASONIC	4.7K	RESISTOR; 0603; 4.7KΩ; 5%; 200PPM; 0.10W; THICK FILM
19	R16	—	1	ERJ-3EKF1003	PANASONIC	100K	RESISTOR; 0603; 100KΩ; 1%; 100PPM; 0.1W; THICK FILM
20	RFOUT	—	1	142-0701-851	JOHNSON COMPONENTS	142-0701-851	CONNECTOR; END LAUNCH JACK RECEPTACLE; BOARDMOUNT; STRAIGHT THROUGH; 2PINS;
21	SU1-SU5	—	5	NPC02SXON-RC	SULLINS ELECTRONICS CORP.	NPC02SXON-RC	CONNECTOR; FEMALE; MINI SHUNT; 0.100IN CC; OPEN TOP; JUMPER; STRAIGHT; 2PINS
22	U1	—	1	MAX41464GUB+	MAXIM	MAX41464GUB+	EVKIT PART - IC; MAX41464GUB+; TSSOP10; 300-960MHZ (G)FSK TRANSMITTER WITH I2C INTERFACE; PACKAGE OUTLINE DRAWING 21-0061; PACKAGE CODE: U10-2; PACKAGE LAND PATTERN: 90-0330
23	VDD	—	1	5010	KEYSTONE	N/A	TEST POINT; PIN DIA = 0.125IN; TOTAL LENGTH = 0.445IN; BOARD HOLE = 0.063IN; RED; PHOSPHOR BRONZE WIRE SIL;
24	Y1	—	1	TSX-3225 16.000MF18X-AC0	EPSON	16MHZ	CRYSTAL; SMT (3225) 3.2X2.5; 9PF; 16MHZ; +/-10PPM; +/-18PPM
25	U2	—	1	MAXREFDES100HDK#	MAXIM		ASSEMBLY; MOD; HEALTH SENSOR PLATFORM; MAXREFDES100HDK#
26	U2	—	1	1675	ADAFRUIT INDUSTRIES		CONNECTOR; FEMALE-FEMALE; WIREMOUNT; 1.27MM IDC CABLE-150MM; WIREMOUNT; 10PINS
27	U2	—	1	3025010-03	QUALTEK ELECTRONICS CORP		CONNECTOR; MALE-MALE; WIREMOUNT; USB 4P-MICRO USB 5P 915MM; WIREMOUNT; 5PINS
28	PCB	—	1	MAX41464868MHZ	MAXIM	PCB	PCB;MAX41464868MHZ
29	U2	DNI	1	MAX32630FTHR	MAXIM	MAX32630FTHR	EVKIT PART-MODULE; MAX32630FTHR; RAPID DEVELOPMENT PLATFORM;
30	J1	DNI	1	PPPC161LFBN-RC	SULLINS ELECTRONICS CORP.	PPPC161LFBN-RC	CONNECTOR; FEMALE; THROUGH HOLE; LFB SERIES; 2.54MM CONTACT CENTER; STRAIGHT; 16PINS
31	J3	DNI	1	PPPC121LFBN-RC	SULLINS ELECTRONICS CORP	PPPC121LFBN-RC	CONNECTOR; FEMALE; THROUGH HOLE; HEADER FEMALE; STRAIGHT; 12PINS
32	MISC1	DNI	1	3025010-03	QUALTEK ELECTRONICS CORP	3025010-03	CONNECTOR; MALE; USB-A_MINI-B; USB 4P(A)JM - USB MINI 5P(B)JM; STRAIGHT; 36IN
33	C9	DNP	0	C0603C474K4RAC, GRM188R71C474K	KEMET,MURATA	0.47UF	CAPACITOR; SMT; 0603; CERAMIC; 0.47uF; 16V; 10%; X7R; -55°C to + 125°C; 0 ±15% degC MAX.
34	C10	DNP	0	C1608C0G1H103J, CGA3E2C0G1H103J080AD; GRM188SC1H103JA01	TDK;TDK,MURATA	0.01UF	CAPACITOR; SMT (0603); CERAMIC CHIP; 0.01UF; 50V; TOL = 5%; TG = -55°C to +125°C; TC = COG
35	D1	DNP	0	LTST-C193KRKT-SA	LITE-ON ELECTRONICS INC	LTST-C193KRKT-SA	DIODE; LED; WATER CLEAR; RED; SMT; VF=2V; IF=0.005A
36	JU4	DNP	0	TSW-106-25-T-S-RA	SAMTEC	TSW-106-25-T-S-RA	CONNECTOR; MALE; THROUGH HOLE; 0.025IN SQ POST HEADER; RIGHT ANGLE; 6PINS
37	L1B	DNP	0	LQW18ASN1J0Z	MURATA	5.1NH	INDUCTOR; SMT (0603); WIREWOUND; 5.1NH; 5%; 0.70A
38	R1-R5	DNP	0	CRCW0603000020	VISHAY DALE	0	RESISTOR; 0603; 0Ω; 0%; JUMPER; 0.1W; THICK FILM
39	R9	DNP	0	CRCW0603470RFK;ERJ-3EKF4700	VISHAY DALE/PANASONIC	470	RESISTOR; 0603; 470Ω; 1%; 100PPM; 0.10W; THICK FILM
40	R10-R13	DNP	0	CRCW06031M00JN	VISHAY DALE	1M	RESISTOR; 0603; 1MΩ; 5%; 200PPM; 0.10W; METAL FILM
41	R17	DNP	0	ERJ-3GEYJ472V	PANASONIC	4.7K	RESISTOR; 0603; 4.7KΩ; 5%; 200PPM; 0.10W; THICK FILM
42	R18	DNP	0	CRCW040210R0JN	VISHAY DALE	10	RESISTOR; 0402; 10Ω; 5%; 200PPM; 0.063W; THICK FILM
TOTAL			43				

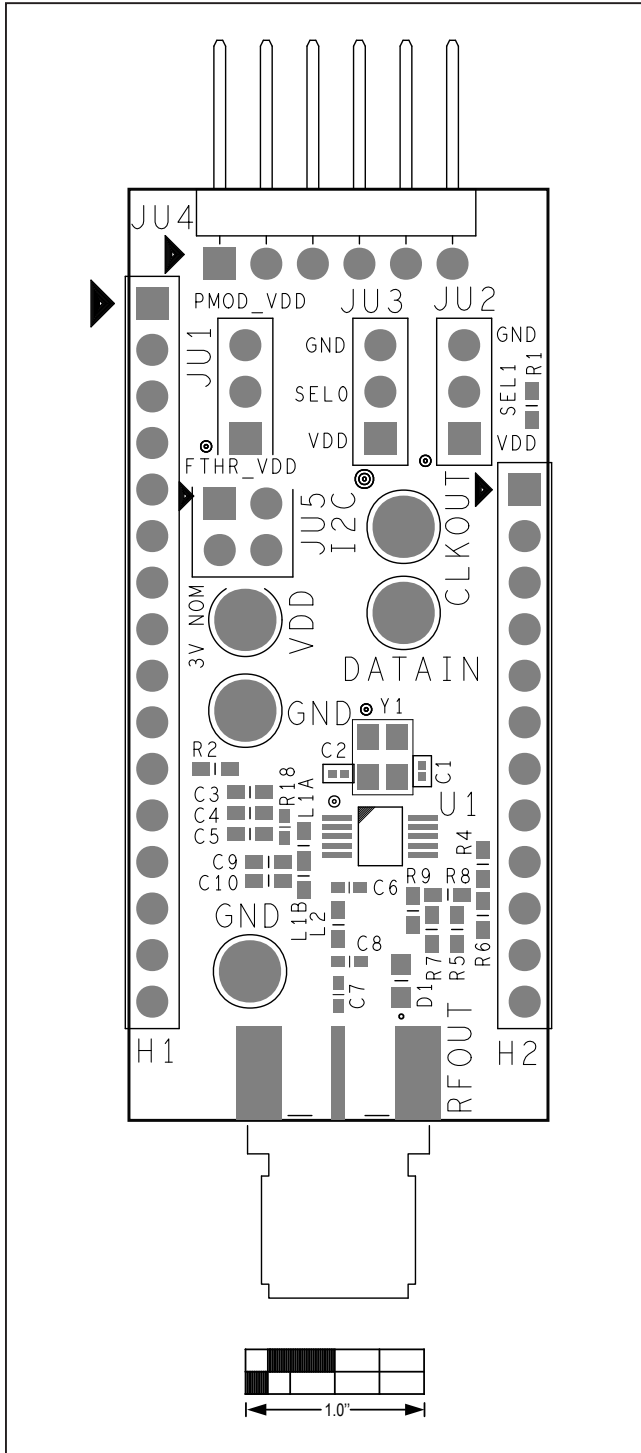
MAX4146x EV Kit Schematics



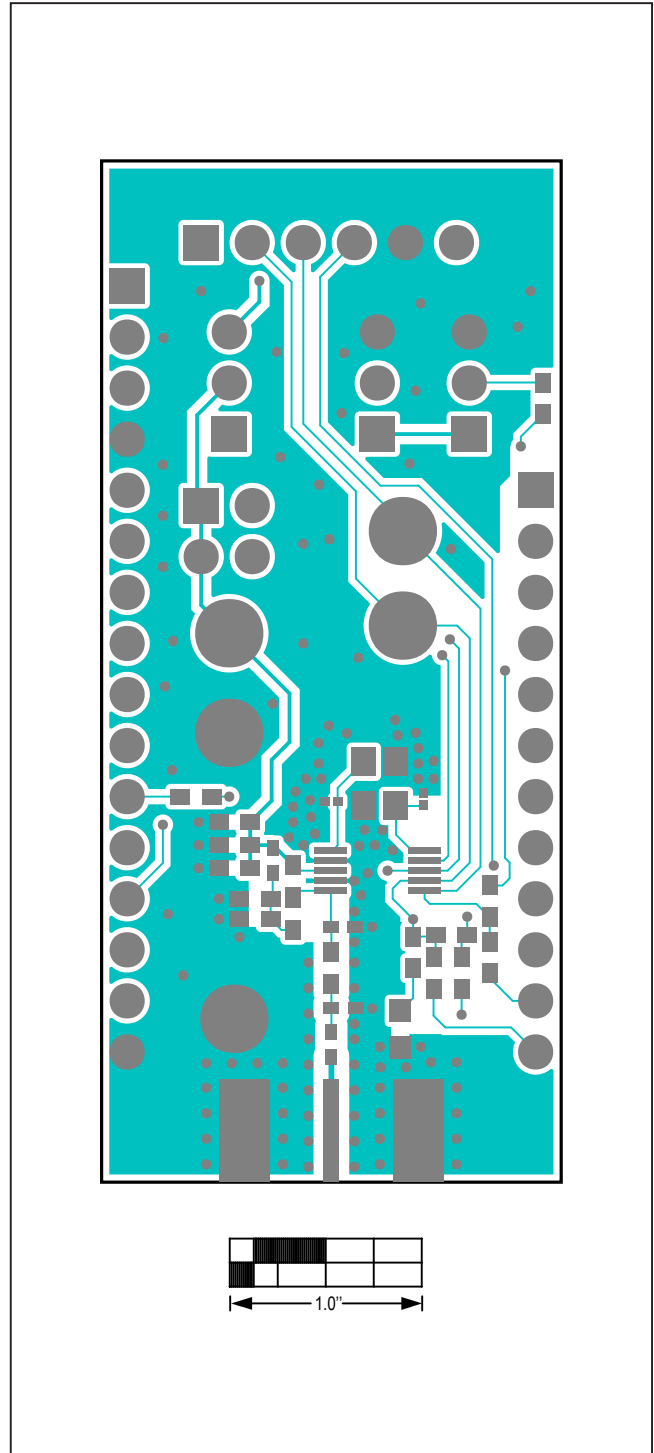
Kit	Frequency	C7	C8	L2	C6	L1A	L1B
MAX41461E/KIT-315	315MHz	100pF	8.2pF	51nH	4.7pF	47nH	DNP
MAX41462E/KIT-434	434MHz	100pF	8.2pF	30nH	5.6pF	24nH	DNP
MAX41464E/KIT-868	868MHz (default)	100pF	4.7pF	18nH	3.3pF	5.6nH	DNP
MAX41463E/KIT-915	915MHz	100pF	3.9pF	12nH	open	5.1nH	DNP
MAX41460E/KIT-915	915-HP	100pF	10pF	5.6nH	10pF	6.2nH	TBD

Product	BOM	Description
MAX41460	DNP: JU2, JU3, R6, R7, R8 Installs: R1, R2, R3, R4, R5	SPI interface to FTHR and PMOD
MAX41461-64(Preset)	DNP: R1, R2, R3, R4, R5 Installs: JU5	SEL pins to jumpers, Preset/I2C jumper Selection and I2C Interface to FTHR and PMOD
MAX41461-64(I2C)	Installs: JU2, JU3, R6, R7, R8 Short: 1-2, 3-4	Interface to FTHR and PMOD
All	DNP: R9, D1, JU4	PMOD and LED are not included by default

MAX4146x EV Kit PCB Layout Diagrams

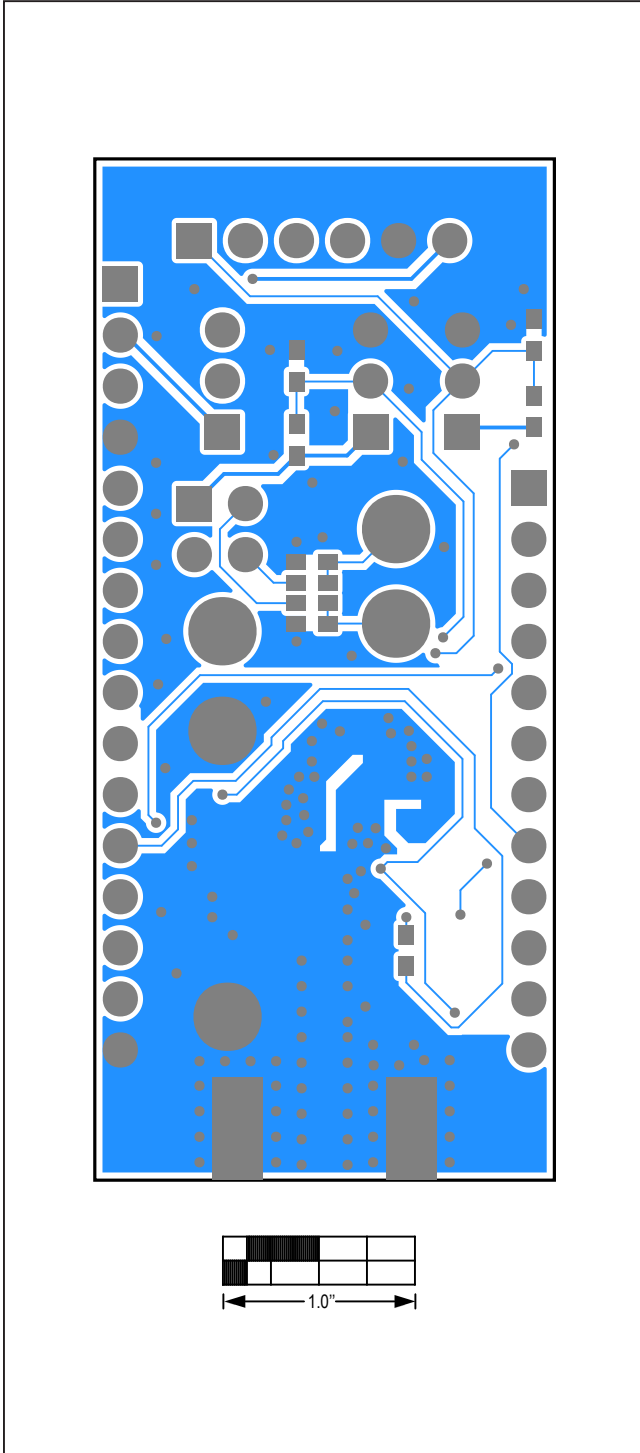


MAX4146x EV Kit Component Placement Guide—Top Silkscreen

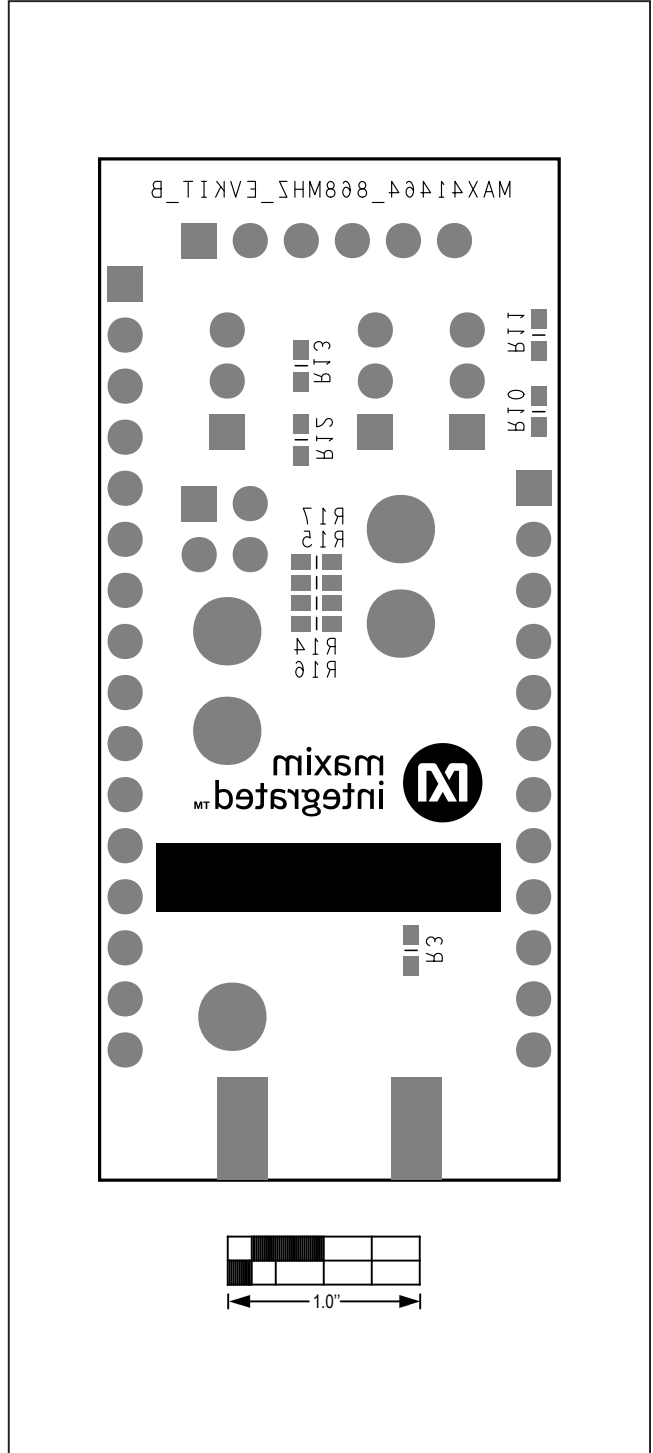


MAX4146x EV Kit PCB Layout—Top Layer

MAX4146x EV Kit PCB Layout Diagrams (continued)



MAX4146x EV Kit PCB Layout—Bottom Layer



MAX4146x EV Kit PCB Layout—Bottom Silk Layer

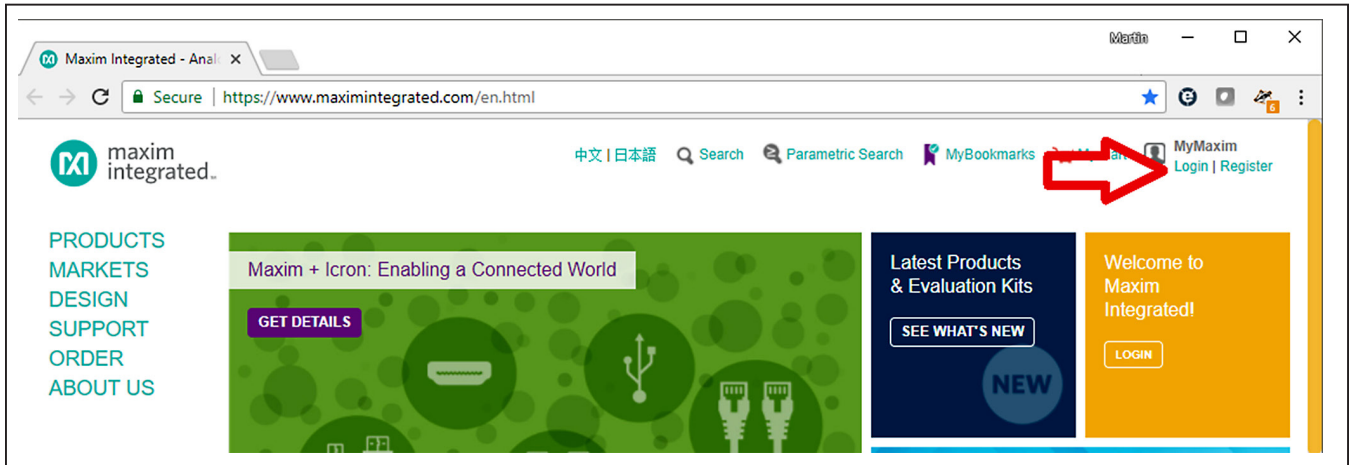


## Appendix I – Detailed Software, Firmware, and Driver Installation Procedures

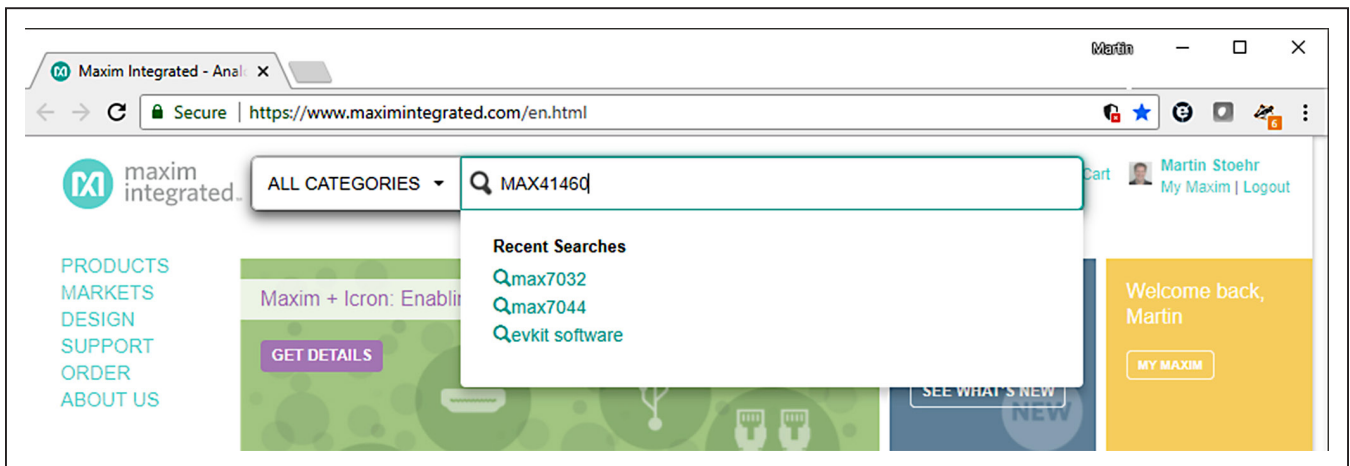
### Download the MAX4146x EV kit Software Package

This software and firmware are available from the [www.maximintegrated.com](http://www.maximintegrated.com) website.

- 1) Login to your MyMaxim account on the website



- 2) Click on the magnifying glass and search for the **MAX41460** or similar part



- 3) Click on the "Design Resources" link for the device or the EVKIT or click on the Design Resources tab on the product web page

Battery Management (1)  
Display Power & Control (1)  
Charge Pumps (1)  
Switching Regulators (17)  
Supervisors, Voltage Monitors, Sequencers (12)  
LED Drivers (2)  
Protection And Control (5)  
MOSFET Drivers And Controllers (2)  
ANALOG (21) >  
Audio (3)  
Data Converters (4)  
Voltage Reference (1)  
Sensors And Sensor Interface (5)  
INTERFACE (13) >  
Transceivers (3)  
High Speed Signaling (1)  
Level Translators (3)  
Signal Line Protection ICs (2)  
COMMUNICATIONS (26) >  
Wireless & RF (25)  
DIGITAL (6)

Search results for > max1471

**PRODUCT RESULTS** ▲  
93 **Products** results for "max1471" | Viewing 1-4 of 93 | [Show more >](#)

**MAX1471**  
MAX1471 315MHz/434MHz Low-Power, 3V/5V ASK/FSK Superheterodyne Receiver - Maxim

[Data Sheet](#) | [Key Specs](#) | [Design Resources](#) | [Related Packaging](#)

VIEW PARTS TO ORDER ▼

**MAX1471EVKIT-315**  
MAX1471EVKIT-315 Evaluation Kit for the MAX1471 - Maxim

[Data Sheet](#) | [Key Specs](#) | [Design Resources](#) | [Related Packaging](#)

4) Click on the appropriate software link:

PRODUCTS  
POWER  
ANALOG  
INTERFACE  
COMMUNICATIONS  
DIGITAL  
INDUSTRIES  
ALL  
WHAT'S NEW  
MARKETS  
DESIGN  
SUPPORT  
ORDER  
ABOUT US

Maxim > Products > Communications > Wireless and RF > MAX1471

## MAX1471

### 315MHz/434MHz Low-Power, 3V/5V ASK/FSK Superheterodyne Receiver

300MHz to 450MHz Superheterodyne ASK/FSK Receiver with Integrated Image Rejection Operates from 3V or 5V Supply

[Data Sheet](#) [Subscribe](#) [Active: In Production.](#) [Maxim Confidential](#)

OVERVIEW **KEY SPECIFICATIONS** DESIGN RESOURCES QUALITY AND ENVIRONMENTAL  
ORDER

[MAX1471EVKIT-315](#): Evaluation Kit for the MAX1471  
[MAX1471EVKIT-433](#): Evaluation Kit for the MAX1471

**Technical Documents**

- Tutorial 5436 [Getting Started with a Radio Design](#)
- Tutorial 5428 [Squelch in ISM-RF Receivers](#)
- Tutorial 5426 [Baseband Calculations for ISM-RF Receivers](#)
- Tutorial 5422 [Crystal Calculations for ISM-RF Products](#)
- Tutorial 5417 [How to Optimize an ISM Radio Frequency \(RF\) System](#)

**Tools & Models**

- CAD and Layout**
- [MAX1471 Gerber File](#)
- Software**
- [MAX1471 EVKIT Software](#)
- [MAX1471 EVKit Software](#)

5) Click the file link on the software landing page to download the MAX4146x EV kit package.

DESIGN  
ORDER  
SUPPORT  
ABOUT US

## EV KIT SOFTWARE

Don't see your EV kit software here? Please use the Site Search to go directly to the EV kit or IC product folder page, and you'll find it on the Design Resources tab.

**MAX1471 EVKIT Software**

Software Version: 1.1  
**Filename: 1471R11.ZIP (898KB)**  
Description:

Operating Systems Supported: Windows 98/2000/XP  
Required Hardware: MAX1471EVCMOD2 (MAX1471EVKIT plus CMOD232)  
Related Data Sheets: [MAX1471 Product folder](#)

Notes: Download and unzip file. Run install.exe to install program.

6) Review the Maxim Software License Agreement (SLA) and accept the terms by clicking on the Accept button.

**maxim integrated.**

中文 | 日本語 | Search

Maxim > Design Support > Tools, Models, and Software > Applications Software > EV Kit Software

### EV Kit Software - License Agreement Portal

**MAXIM INTEGRATED PRODUCTS, INC.**

**SOFTWARE LICENSE AGREEMENT**

The software you are about to access by clicking on "I Agree" is provided pursuant to this Software License Agreement ("Agreement"). By clicking on "I Agree," downloading, installing, or otherwise using the software, you are entering into and agree to and consent to be bound by all of the terms of this Agreement between you and Maxim Integrated Products, Inc. on behalf of itself and its affiliates and subsidiaries ("Maxim"), effective as of the date you click "I Agree" (the "Effective Date"). You represent and warrant that you are at least eighteen (18) years of age if you are a resident of the United States, or the age of majority in the jurisdiction of your residence. If you are accepting these terms on behalf of another person or a company or other legal entity, you represent and warrant that you have full authority to bind that person, company,

[Download Printable Version](#)

**My contact information**

Name:	Martin Stoehr
Company:	Maxim Integrated
Address1:	
Address2:	
Address3:	
City:	
State/Province:	
Postal:	
Country:	
Email:	
Phone1:	
Phone2:	
Fax:	

If the information above is incomplete or inaccurate, please visit the [My Maxim](#) site to update your contact infor

7) Save the EVKIT distribution package to your desktop or other accessible location for later install.

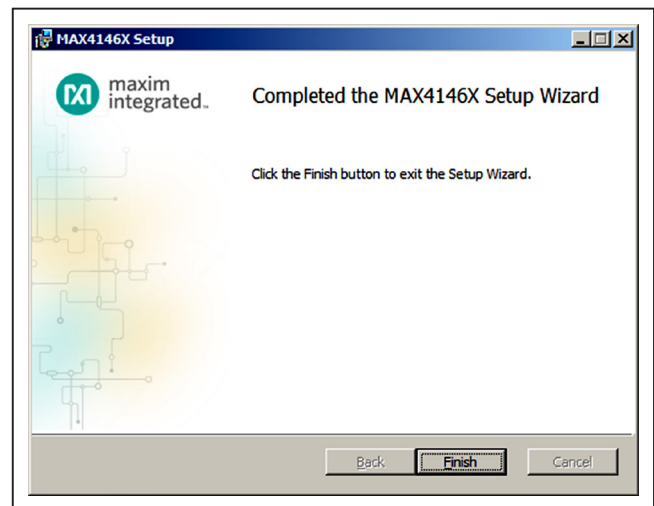
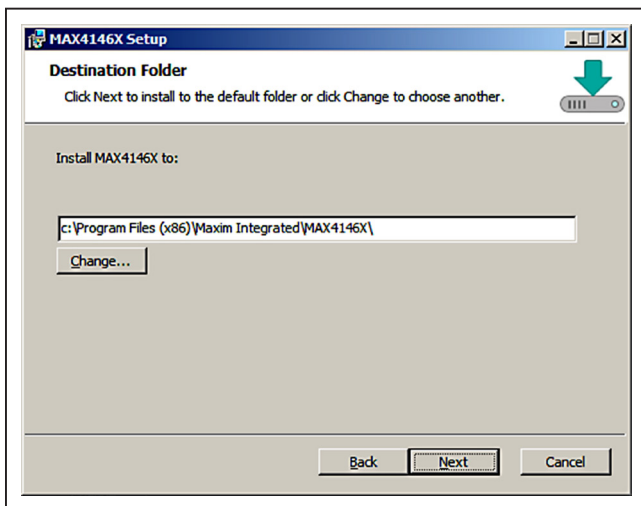
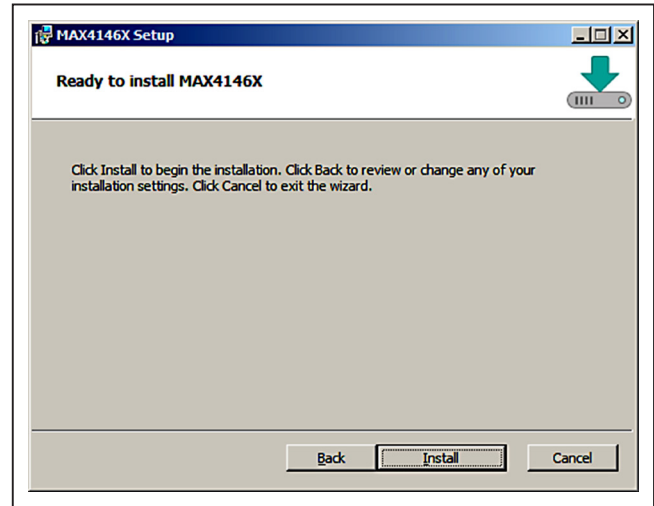
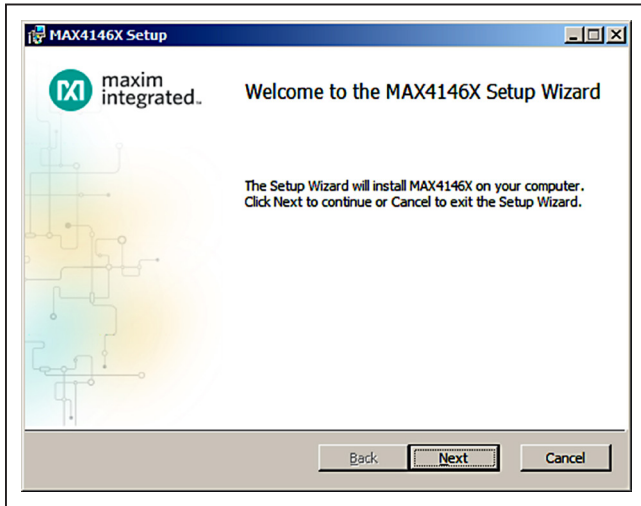
**Install the MAX4146x EV kit GUI Software**

This software and firmware are available from the [www.maximintegrated.com](http://www.maximintegrated.com) website. Refer to the “[Download the MAX4146x EV kit Software Package](#)” section for information on obtaining the latest firmware from Maxim.

This process should take less than 10 minutes after downloading the software, firmware, and driver package.

- 1) Extract the Setup\_MAX4146X\_V1.0.0\_EVKit\_SW.zip to a working folder

- 2) Double-Click the MAX4146xGUISetupV01.msi setup file and follow Setup Wizard prompts:
  - a. Click <Next>
  - b. Use the default Destination folder and click <Next>
  - c. Install the software by clicking the <Install> button
  - d. Click <Finish> when the setup process is complete

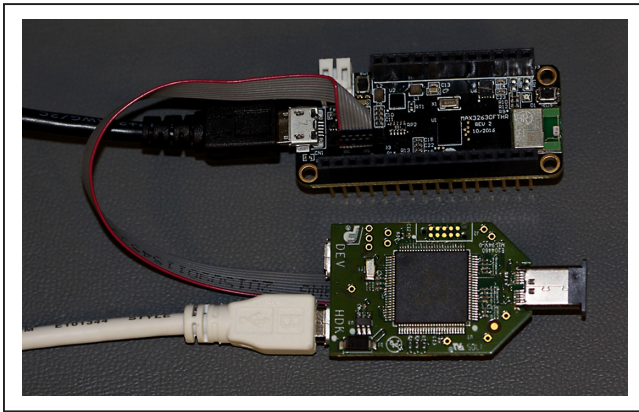


### Program the MAX32630FTHR Board with the MAX4146x Firmware

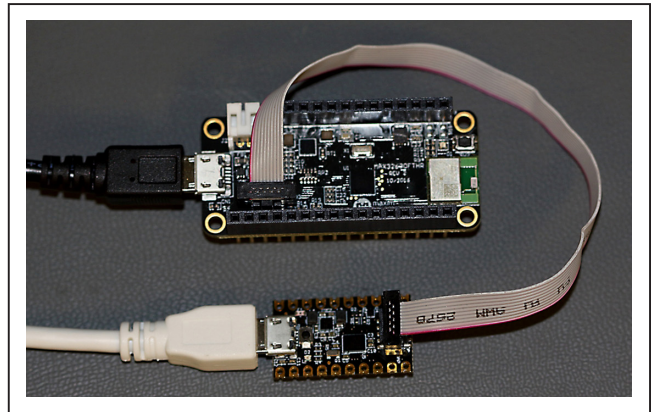
The FTHR board firmware comes pre-installed with every MAX4146x EV kit. This section describes how to install that firmware for development or update purposes.

This software and firmware are available from the [www.maximintegrated.com](http://www.maximintegrated.com) website. Refer to the “[Download the MAX4146x EV kit Software Package](#)” section above for information on obtaining the latest firmware from Maxim.

- 1) Connect the MAX32630FTHR to the MAXREFDES100HDK or the MAX32625PICO
  - a. Use the fine pitch 10pin ribbon cable to connect the boards from the SWD (J3) header on the HDK to J4 on the MAX32630FTHR.

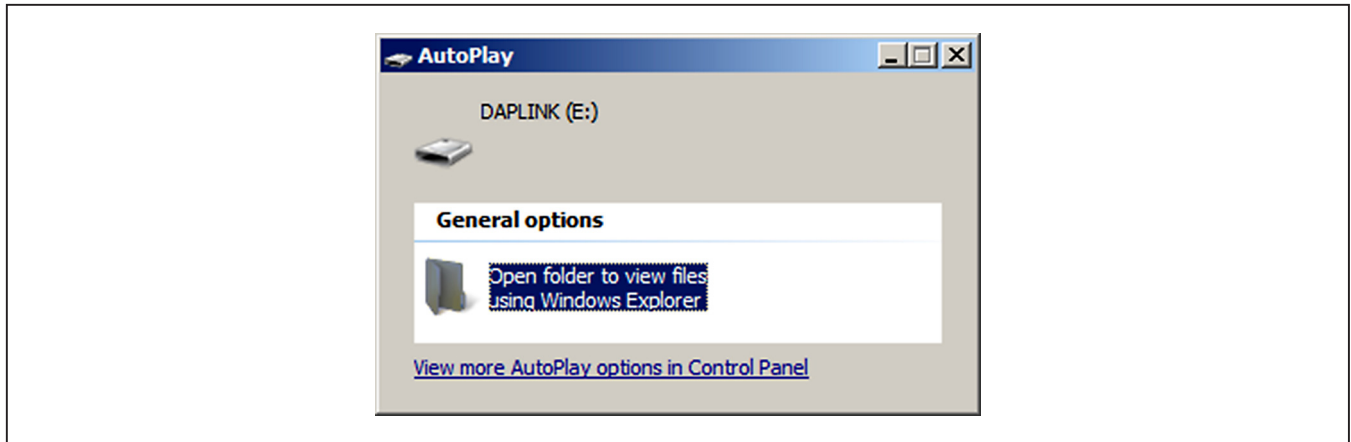


MAXREFDES100HDK DAPLINK



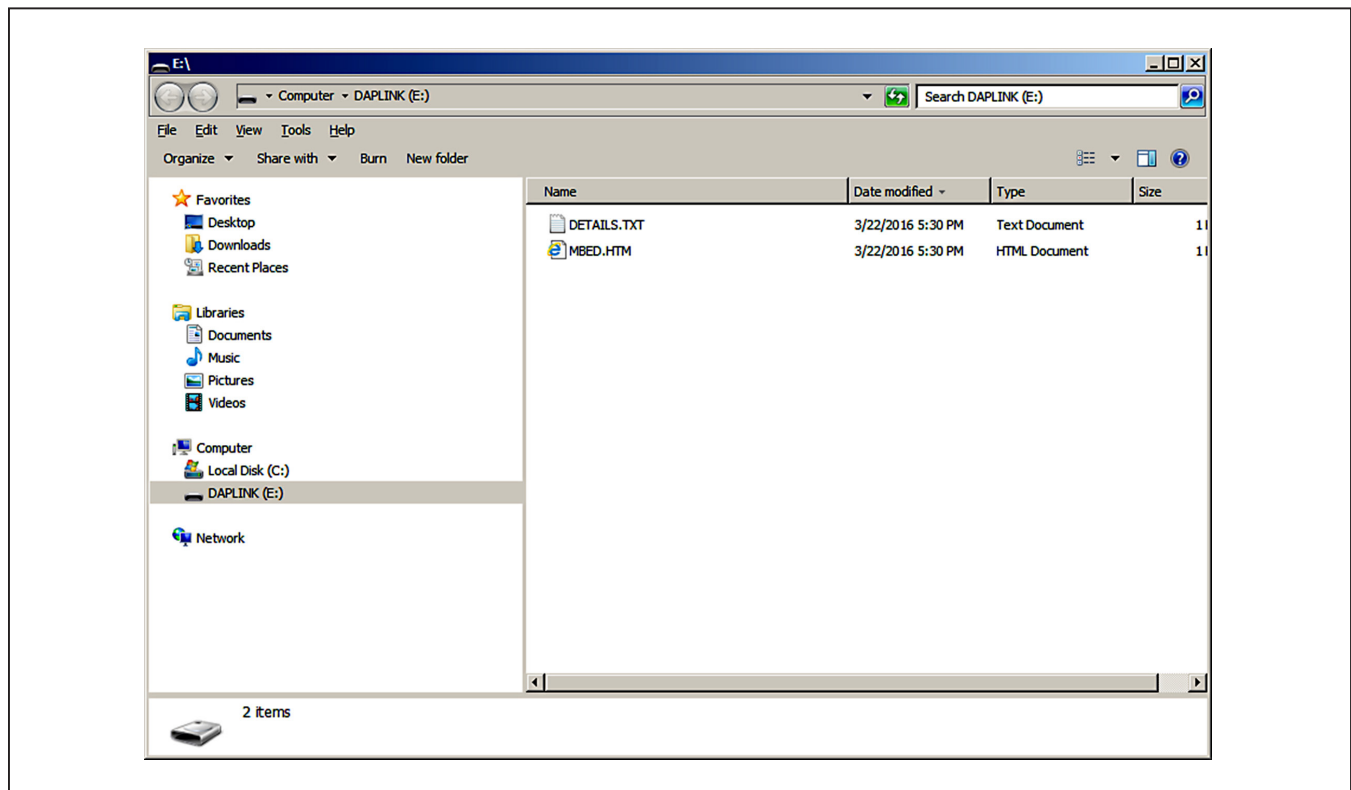
MAX32625PICO DAPLINK

- 2) Connect the MAX32630FTHR to a power source
  - a. Use a micro-B USB cable to connect the MAX32630FTHR board to a suitable power source (no USB connectivity is required). [The black USB cable in the photos.] Alternatively, you can power the board from a charged battery as long as you remember to turn it on by pressing the power/reset button next to the battery connector. The board turns on automatically when powered from the USB supply.
  - b. The status LED on the FTHR board should be lit a steady red.
- 3) Connect the MAXREFDES100HDK/MAX32625PICO to a PC
  - a. Use a micro-B USB cable to connect the HDK to a PC, through the connector marked HDK. [The white USB cable in the photos.]
  - b. The status LED on the DAPLINK board will blink red when connecting.
  - c. After a few seconds of activity, the PC will recognize the DAPLINK as a standard USB drive.



Windows 7/10 Example

- 4) Drag-and-drop or save the MAX4146x.bin program binary to the mbed or DAPLINK USB Drive
  - a. The FTTH board LED will shut off and the LED on the MAXREFDES100HDK / MAX32625PICO will slowly flash red as the FTTH board is being programmed.
  - b. Once the programming is complete, the DAPLINK USB Drive will disconnect from the PC and reconnect as a USB Drive again.
  - c. If the programming was successful, the contents of the DAPLINK USB Drive should include a DETAILS.TXT file. If an ERROR.TXT file exists on the drive, check that the FTTH board had power during the programming process and repeat steps 3 and 4.



# MAX4146x Evaluation Kit

Evaluates: MAX41460/1/2/3/4

- 5) To ready the FTTH board for use, disconnect the DAPLINK board (ribbon cable) and press the Reset Button on the FTTH board or disconnect the FTTH board from the USB power supply.
  - a. When the Reset button is pressed, the microcontroller will restart and the newly programmed application will begin to run or you can disconnect and reconnect the USB cable if using a PC for power.

The latest information and these firmware update instructions can be found on the MAX32630FTTH board mBed web site: <https://os.mbed.com/platforms/MAX32630FTTH/> or by visiting the mBed home page (<https://www.mbed.com/>) and searching for “MAX32630FTTH”.

If you do not have an mbed account, choose “Signup”, and create your mbed Account. Otherwise, log in with your normal username and password. This will give you access to the website, tools, libraries and documentation.

From: <https://os.mbed.com/teams/MaximIntegrated/wiki/MAXREFDES100HDK>

Note that the MAXREFDES100HDK hardware supports multiple mbed platforms, and the firmware needs to match the platform you are using to enable all the features. The virtual serial port and CMSIS-DAP debug adapter are universal, but the drag-n-drop programming must match the target platform being programmed. To update the firmware you need to put the board in maintenance mode and copy the new firmware image to the board. To put the board in maintenance mode you need to hold the button while the board is being connected to the computer at the HDK connector. This will activate maintenance mode and the board will appear to the computer as a thumb drive named “MAINTENANCE”. Drag and drop the new image onto the MAINTENANCE drive and the board will install the new firmware. When the update is complete, the disk will disconnect and reappear as a thumb drive named “DAPLINK”. There are links to the firmware images below.

**Please Note:** *The board can be sensitive to excess loading on the crystal which could prevent it from entering maintenance mode. We recommend holding the board by the edges when entering maintenance mode. It may be easier to hold the button while inserting the USB cable at the computer end, rather than trying to insert the cable into the micro USB connector.*

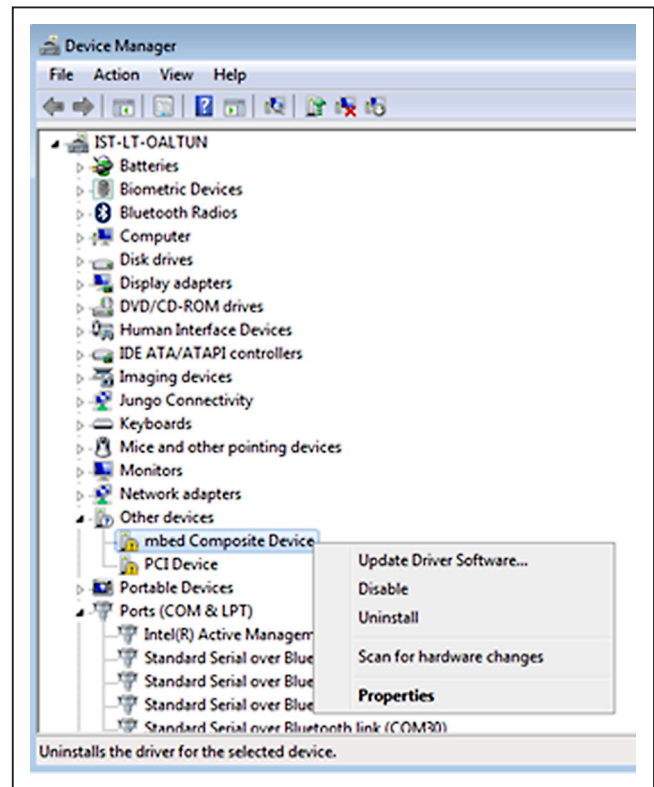
You must load the matching HDK image for the platform you are programming in order for drag-n-drop programming to work. For the MAX32630FTTH DAPLINK Image:

[https://os.mbed.com/media/uploads/switches/max32620\\_daplink\\_max32630fthr.bin](https://os.mbed.com/media/uploads/switches/max32620_daplink_max32630fthr.bin)

## Update the MAX32630FTTH Board Driver

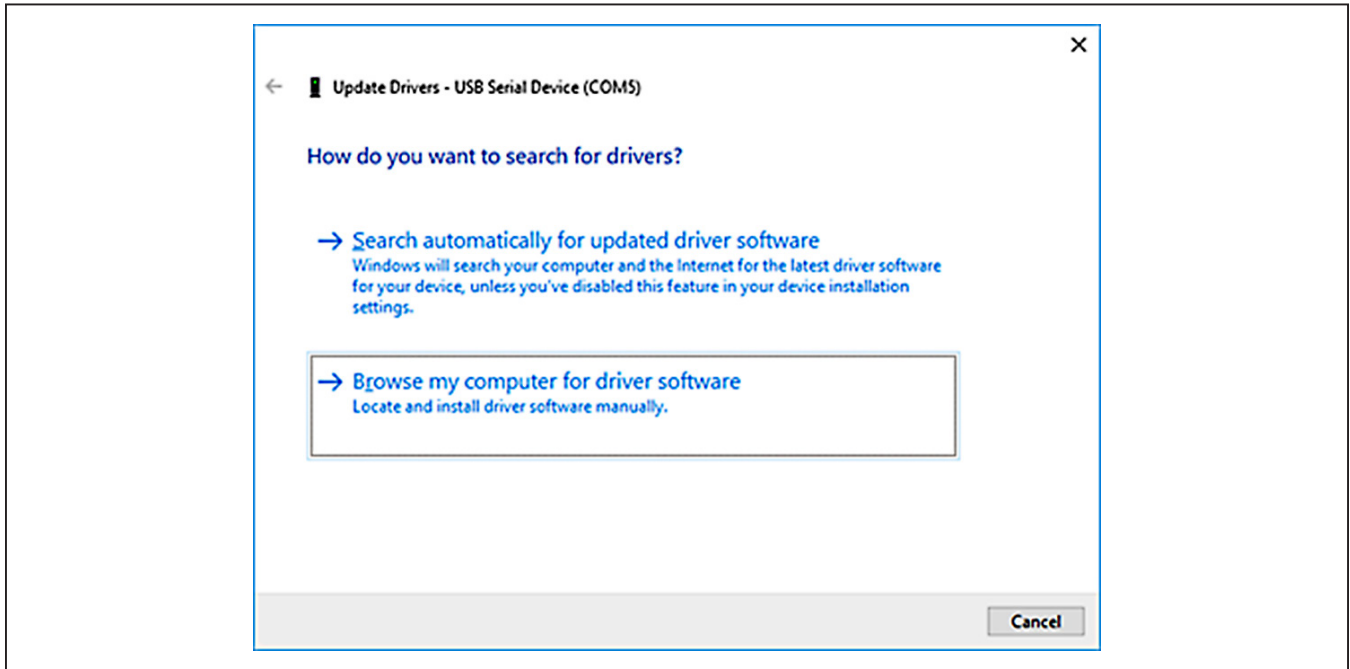
The required driver is available from the [www.maximintegrated.com](http://www.maximintegrated.com) website. Refer to the “[Download the MAX4146x EV kit Software Package](#)” section above for information on obtaining the latest driver from Maxim.

- 1) Connect the MAX32630FTTH to the PC's USB port.
- 2) In Device Manager, right click Other devices => “CDC Device” or “mbed Composite Device”.

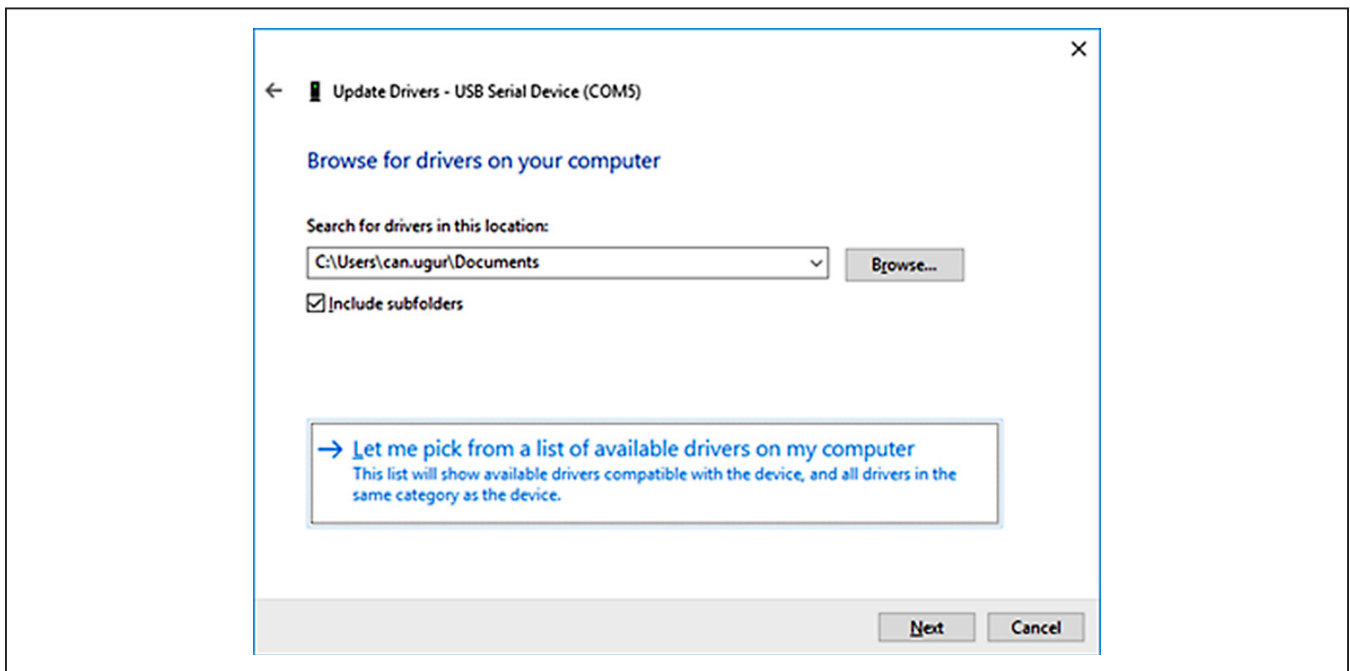




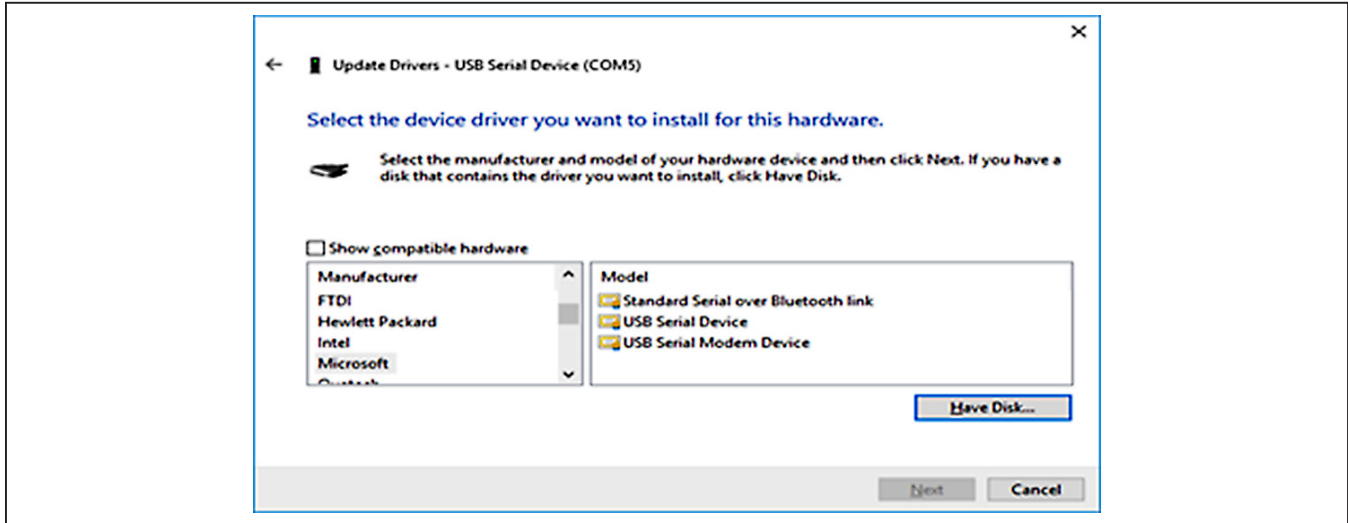
3) Click "Update Driver Software" then select Browse my computer for driver software.



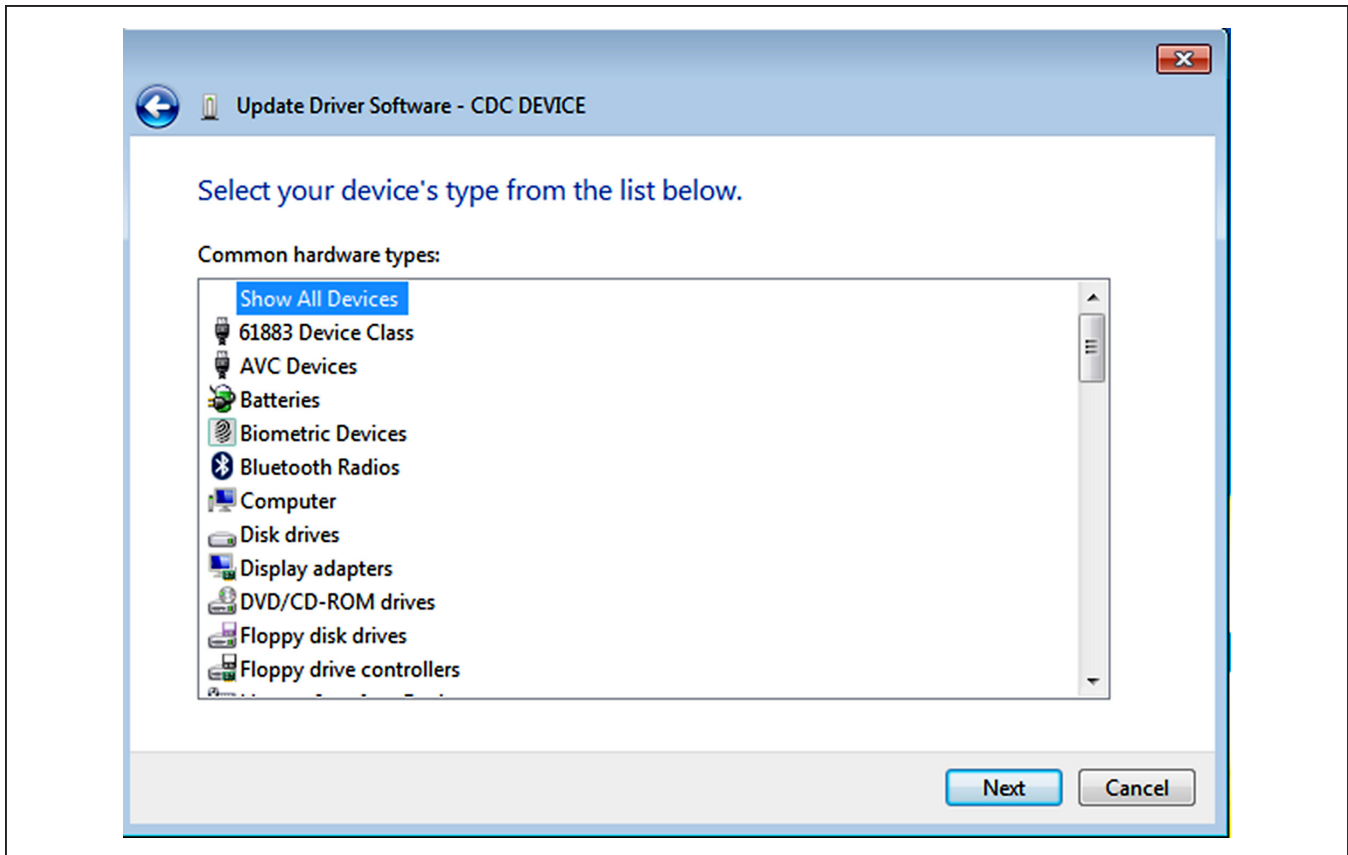
4) Select "Let me pick from a list of available drivers on my computer".



- 5) On a Windows 10 operating system, click <Have Disk...> button. On a Windows 7 system, click the “Show All Devices” check box.

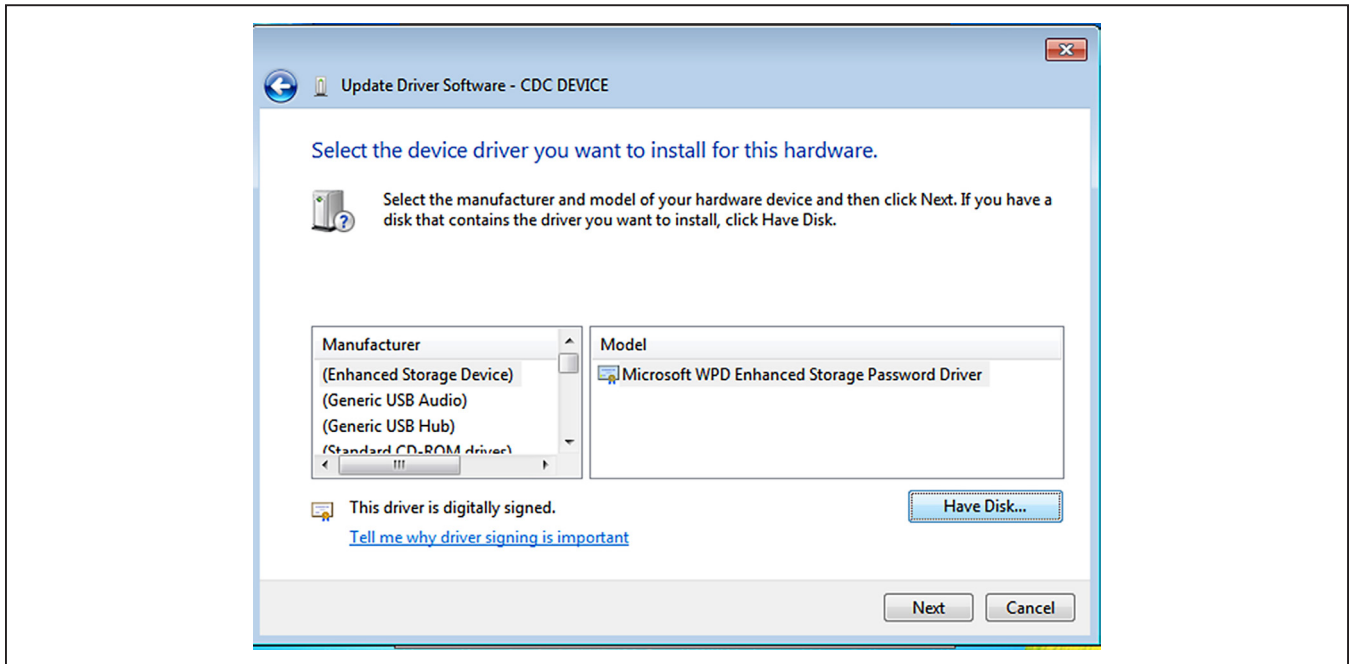


Win 10: <Have Disk...> Button.



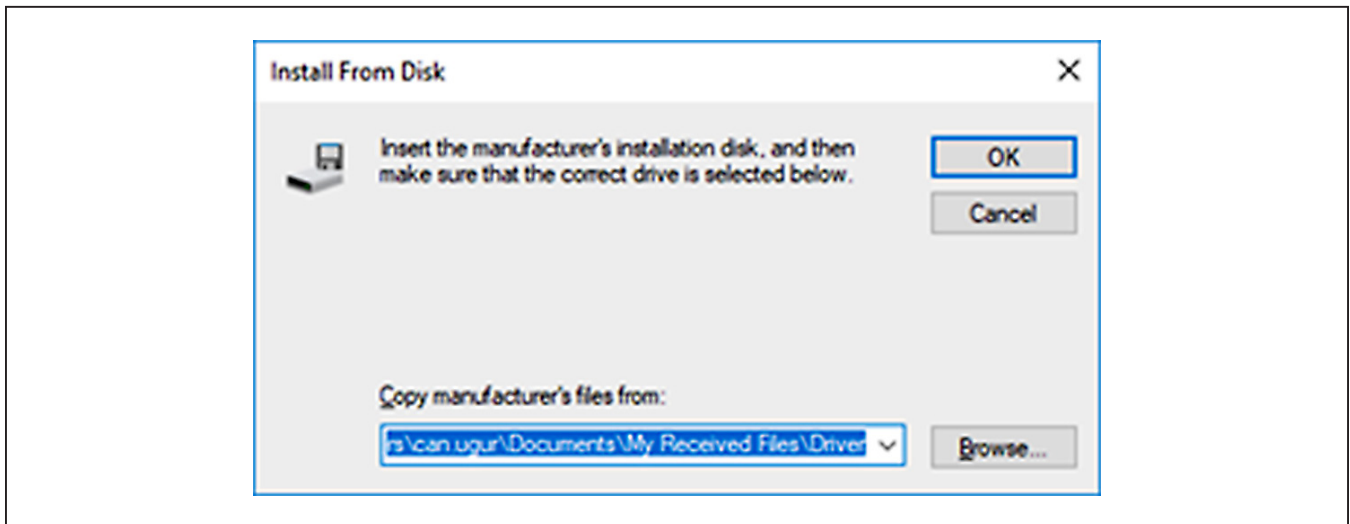
Win 7: “Show All Devices” Checkbox.

- 6) On a Win 10 system, skip to step 7; on a Win 7 system select a generic Manufacturer type (usually enclosed in brackets) and then click the <Have Disk...> button.

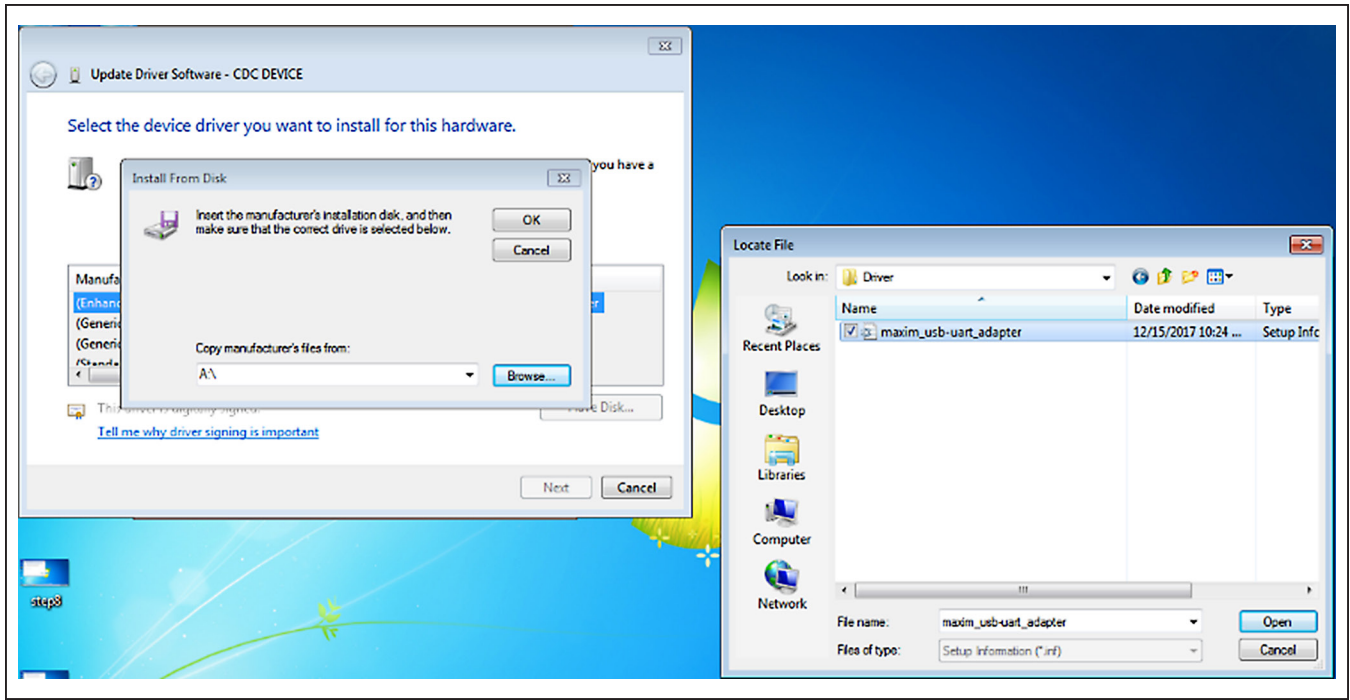


Win 7: Manufacturer Selection.

- 7) Browse the path of driver folder and for Win 10 click <OK>; for Win 7 select "maxim\_usb-uart\_adapter" then click <Open>.

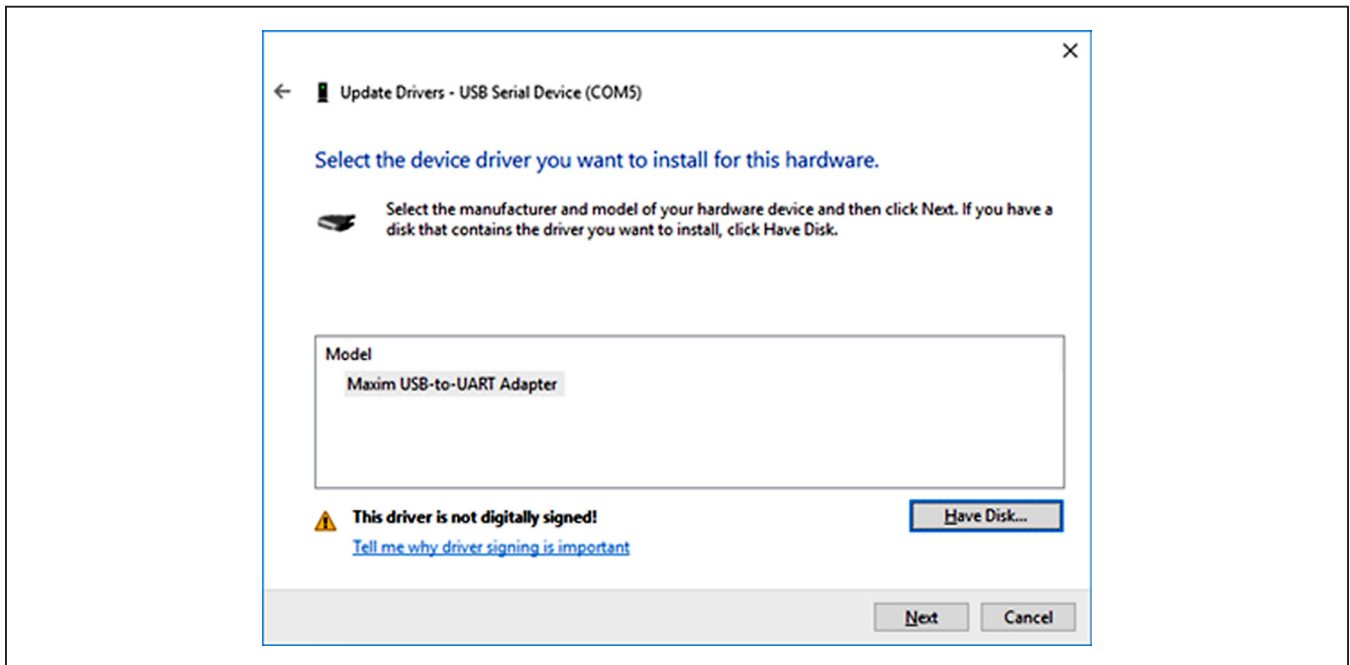


Win 10: browse to the path and click <OK>.

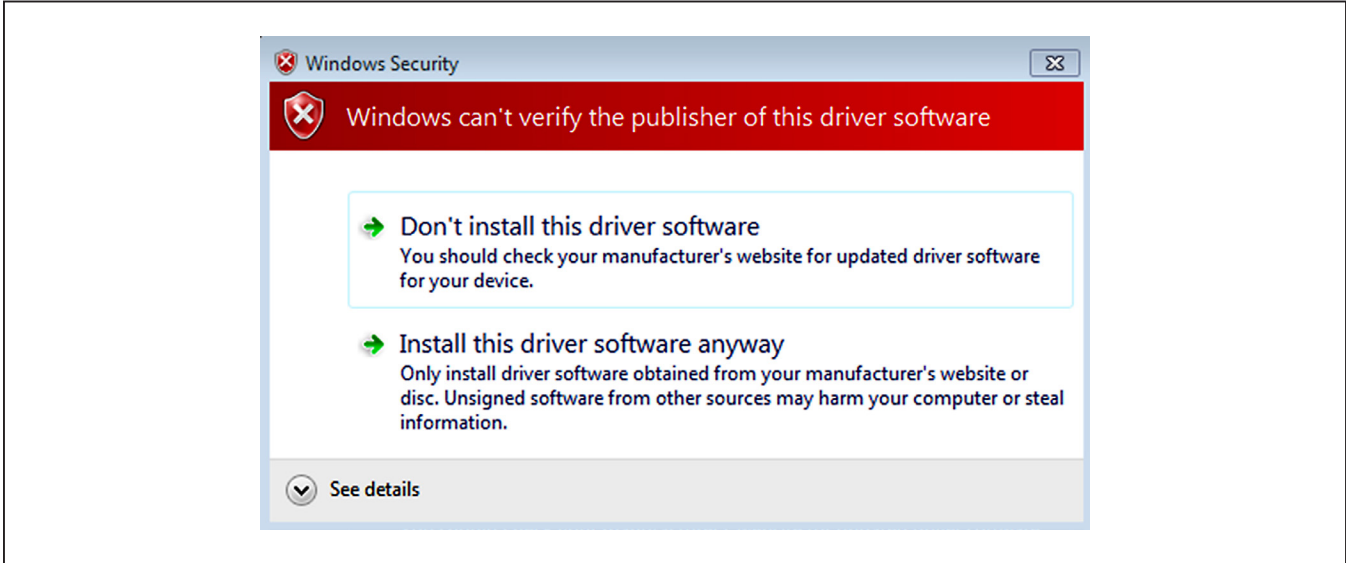


Win 7: select driver, click <Open>.

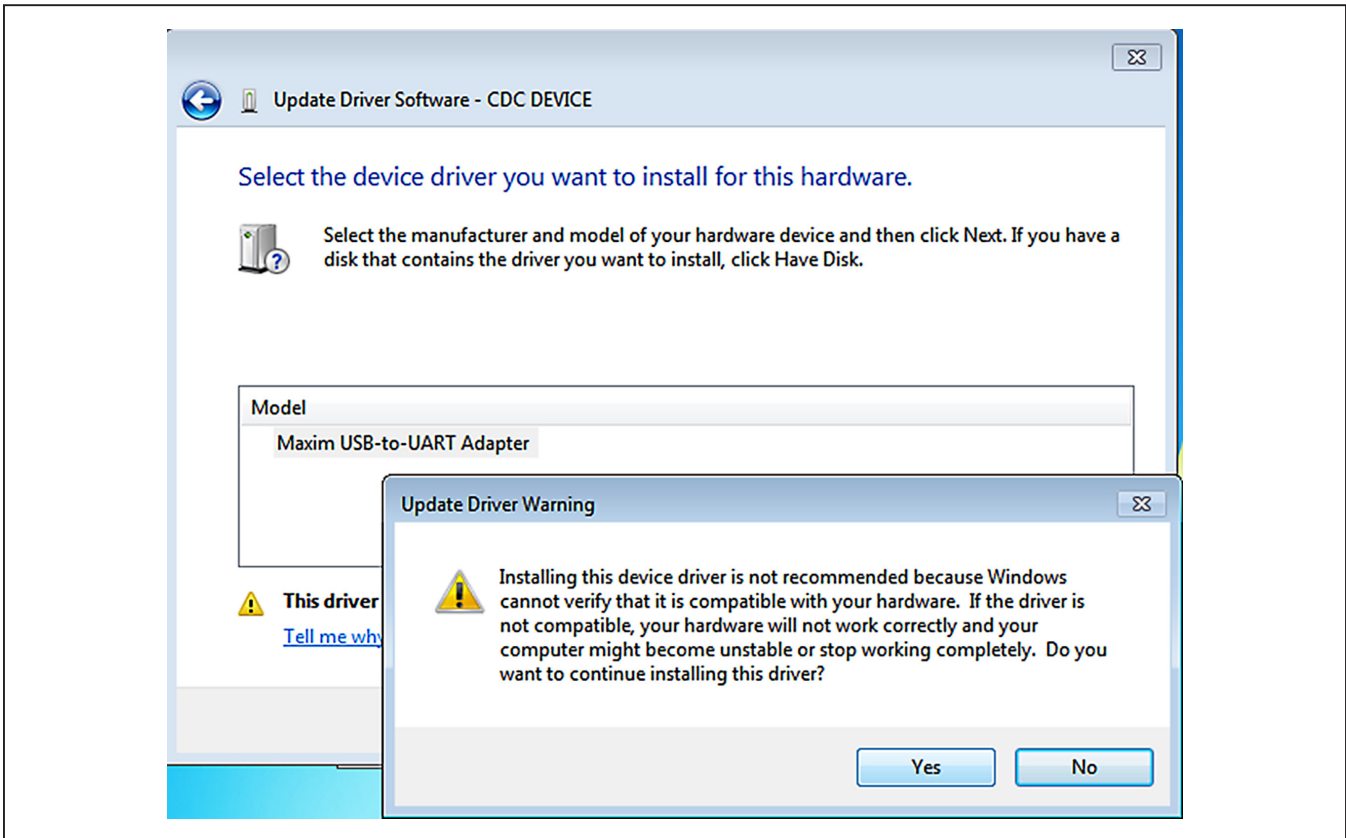
8) Click Next.



9) Ignore the warnings and click → Install...



Win 10 and Win 7 Unverified Publisher Warning.



Win 7 "not recommended" Warning.

## Appendix II – Hardware Modifications

### I<sup>2</sup>C Pullup Resistors

To accommodate the various operating modes of the MAX4146x products on one board, the shared digital pins have many interface modes over which they operate. The DATAIN net is the most dynamic of these interfaces, serving three functions:

- 1) DATA input for transmission in preset mode for the MAX41461–MAX41464 parts.
- 2) SDA when MAX41461–MAX41464 parts are configured for I<sup>2</sup>C mode.
- 3) SDI or MOSI for SPI control of the MAX41460 and as DATA input when transmitting.

With preset parts (MAX41461–MAX41464) used in preset mode, the DATA pin must be held low during power-up of the device. A light pulldown resistor: R16, 100kΩ to ground satisfies this requirement.

To properly establish the open-drain topology of the two-pin serial interface the user must have the SDA and SCL lines pulled-up to the supply voltage. The resistor footprints: R14 and R15 are provided on the MAX4146x EV kit for this purpose. By connecting JU5 (1-2 and 3-4) both lines will be pulled-up to the VDD supply.

These pullups should only be connected when the preset pins (SEL0 and SEL1) are both connected to ground, thus selecting the I<sup>2</sup>C interface mode of the MAX4146x.

It should be noted that the FTHR board also has footprints for I<sup>2</sup>C pullup resistors at R6 and R11. Both sets of

pullup resistors (on the FTHR board and the MAX4146x EV kit) should not be populated simultaneously, otherwise incorrect I<sup>2</sup>C signal levels may result. Likewise, if other I<sup>2</sup>C slaves are added to the bus, only one set of pullup resistors should be used.

### Matching Network

For optimal performance of the transmitter PA, the antenna matching network should be tuned to the operating frequency of the radio.

To change the tuning of the matching network, two inductors (L1 and L2) and two capacitors (C6 and C7) should be adjusted according to [Table A2-1](#):

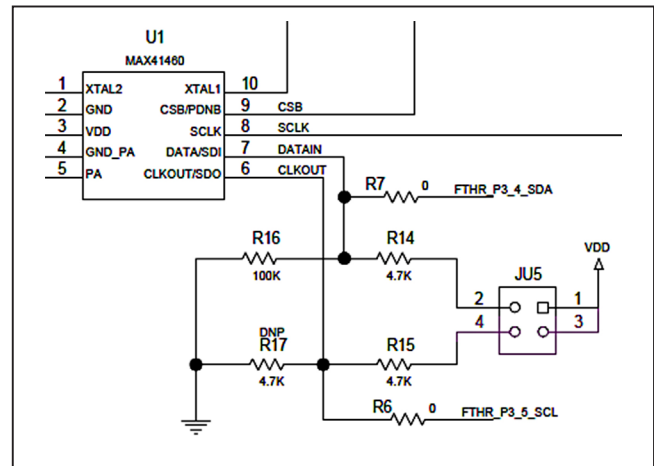


Figure A2-1. I<sup>2</sup>C Pullup Resistors.

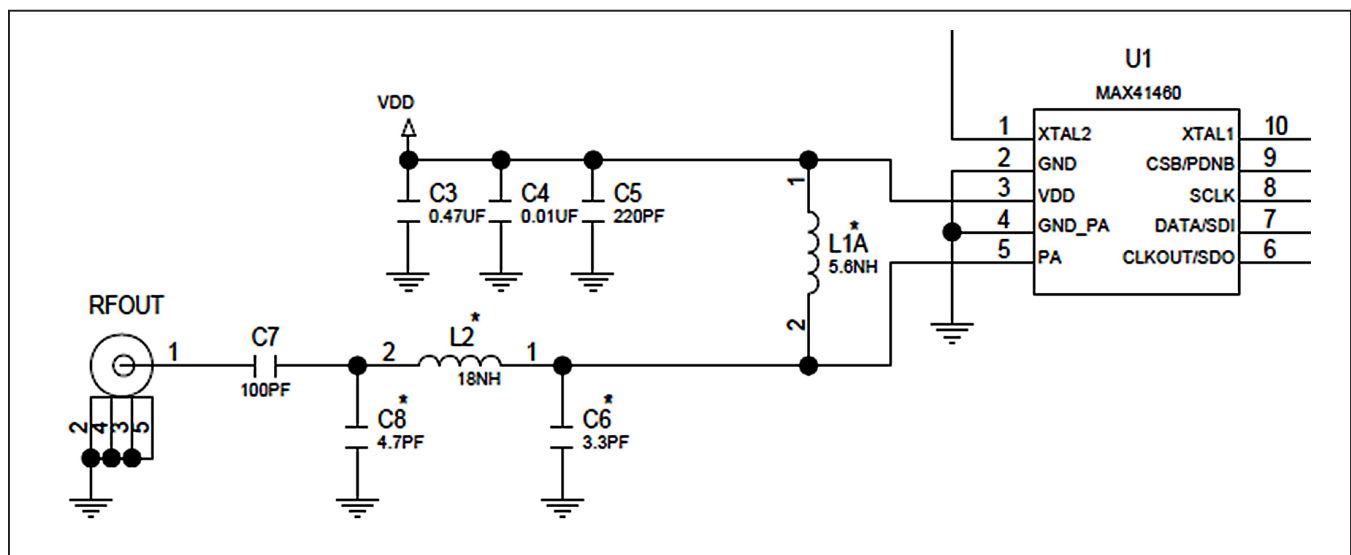


Figure A2-2. Matching Network.

**Table A2-1. MAX4146x EV Kit Matching Network Component Values**

KIT	fC	POUT	BOOST*	LOAD IMPEDANCE	C7	C8	L2	C6	L1A
MAX41461EVKIT-315	315MHz	+13dBm	—	165Ω	100pF	8.2pF	51nH	4.7pF	47nH
	315MHz High-Power	+16dBm	0	68Ω	100pF	8.0pF	27nH	8.0pF	30nH
MAX41462EVKIT-434 MAX41460EVKIT# MAX41464EVKIT#	434MHz	+13dBm	—	180Ω	100pF	8.2pF	30nH	5.6pF	24nH
	434MHz High-Power	+16dBm	0	57Ω	100pF	8.0pF	19nH	7.0pF	24nH
MAX41464EVKIT-868	868MHz	+11dBm	—	190Ω	100pF	4.7pF	18nH	3.3pF	5.6nH
	868MHz High-Power	+16dBm	1	33Ω	100pF	3.0pF	9.1nH	3.3pF	3.0nH
MAX41463EVKIT-915	915MHz	+11dBm	—	190Ω	100pF	3.9pF	12nH	open	5.1nH
MAX41460EVKIT-915	863-928MHz High-Power*	+16dBm	1	34Ω	100pF	10pF	5.6nH	10pF	6.2nH

\*PA boost mode enabled through the SHDN register (0x05), PA\_BOOST bit [0]

**Additional Harmonic Filtering**

Operating the MAX4146x in a high-power mode may impact ESTI compliance and will be particularly noticeable when using a device in the 434MHz band. The second harmonic of 434MHz (868MHz) falls within the strict Out Of Band (OOB) power limit of -36dBm. In this case an addition low-pass filter (LPF) may be beneficial to the radio designer. In combination with the high-power match at 434MHz noted above, the following LPF has shown compliant operational results.

**Table A2-2. External LPF Component Values**

EXTERNAL PART	QTY	DESCRIPTION
C1-C2	2	7.5pF ± 0.25pF Capacitor (0402) muRata GRM1555C1H7R5FZ01
L1, L3	2	19nH ± 5% Inductor (0402) Coilcraft 0402CS-19NXJB
L2	1	36nH ± 5% Inductor (0402) Coilcraft 0402CS-19NXJB

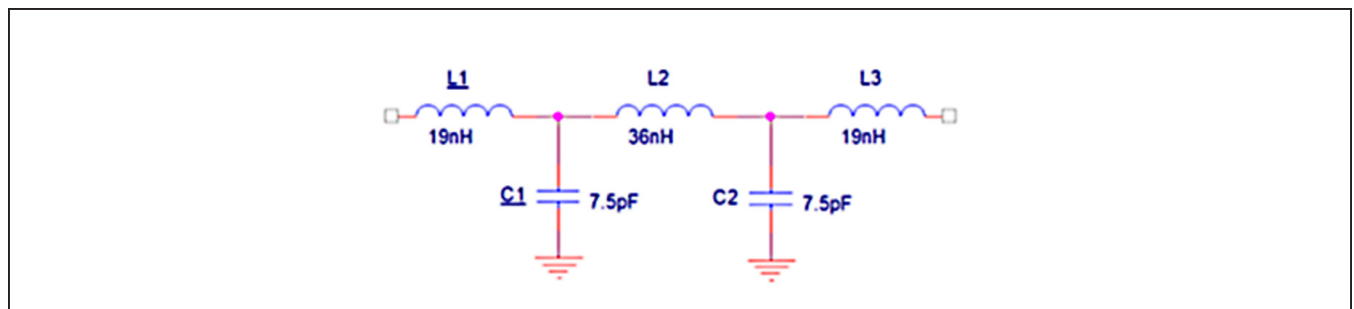


Figure A2-3. External Filter

**PA Boost Mode Network Design**

The switch-mode PA architecture inherently deals with voltage levels which are higher than the VDD supply. When operating the PA in Boost Mode, even higher voltages can be presented to the PA node. If the user wishes to experiment with additional boost capabilities, the MAX4146x EV kit has a separate output network that allows the user to limit the PA voltage swing.

The optional R18/L1B network can be used to reduce the voltage swing at the PA node by inserting a resistor in series with the PA bias inductor. It is recommended that C9 and C10 be populated as shown, this helps ‘fix’ the sub-VDD supply below the supply voltage.

For additional information on switch-mode PAs similar to the one used in this transmitter, see *Application Note 3589–Power Amplifier Theory for High-Efficiency Low-Cost ISM-Band Transmitters*.

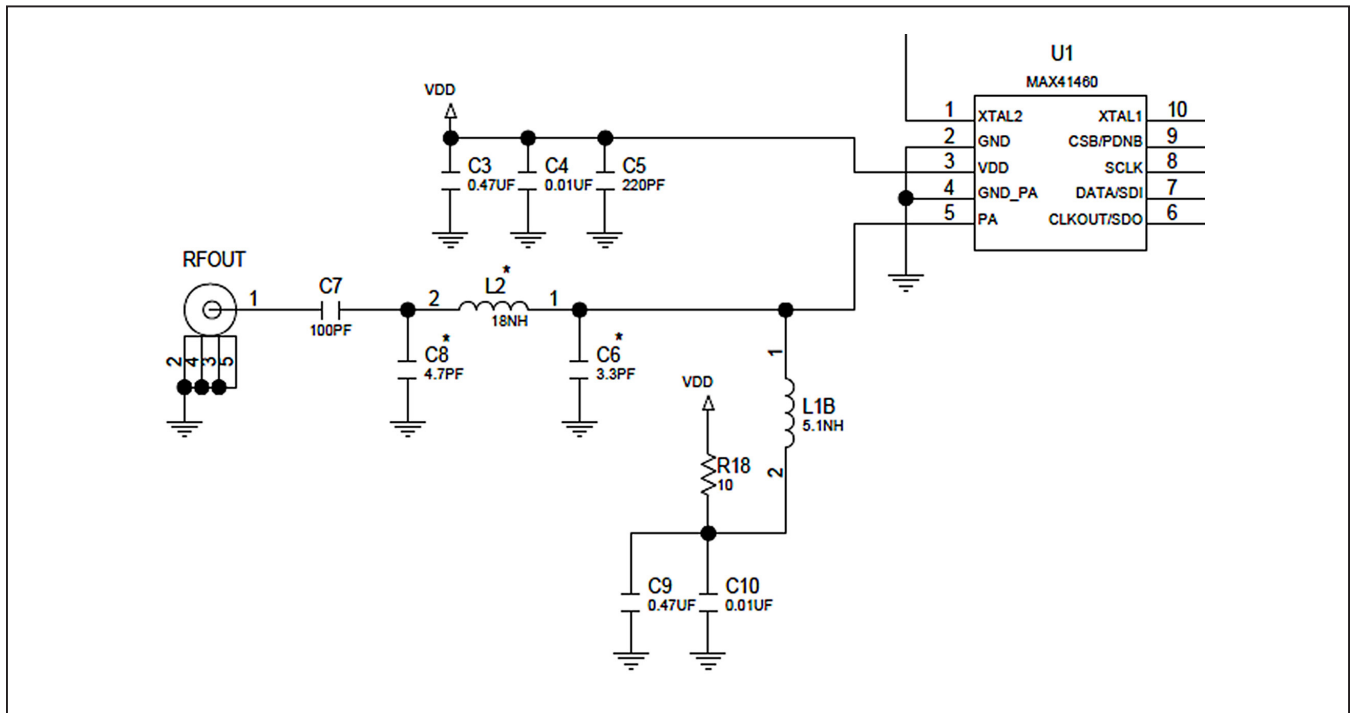


Figure A2-4. Matching Network

**Pmod Header Interface**

The MAX4146x EV kit provides a Pmod-compatible header footprint providing yet another built-in interface to the transmitter. The JU4 connector can be populated with a 6-pin, 100mil, right-angle header such as a SAMTEC TSW-106-25-T-S-RA, allowing direct connections to the CSB, DATAIN, CLKOUT, SCLK/SDA, Ground, and VDD lines.

The Pmod interface can be used in combination with the Maxim MAX32600MBED kit and the MAXREFDES72# Arduino Uno R3 to PMOD shield adaptor. When using the Pmod interface to supply the MAX4146X EV kit with power, make sure to connect the JU1 jumper between pins 2-3.

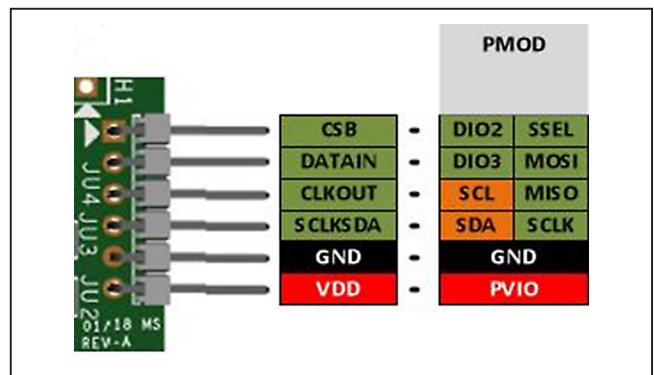


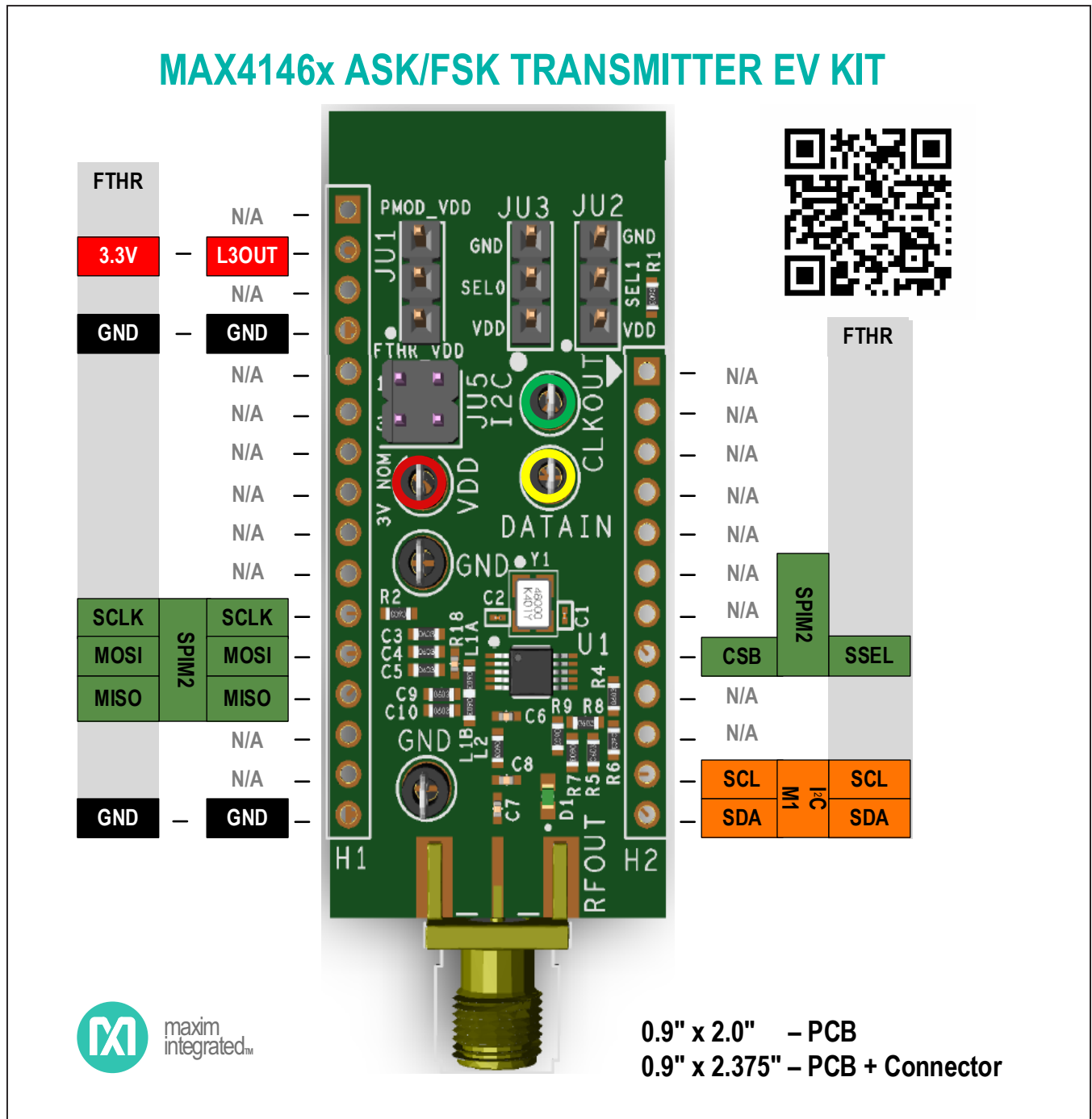
Figure A2-5. MAX4146x EV kit Pmod Interface

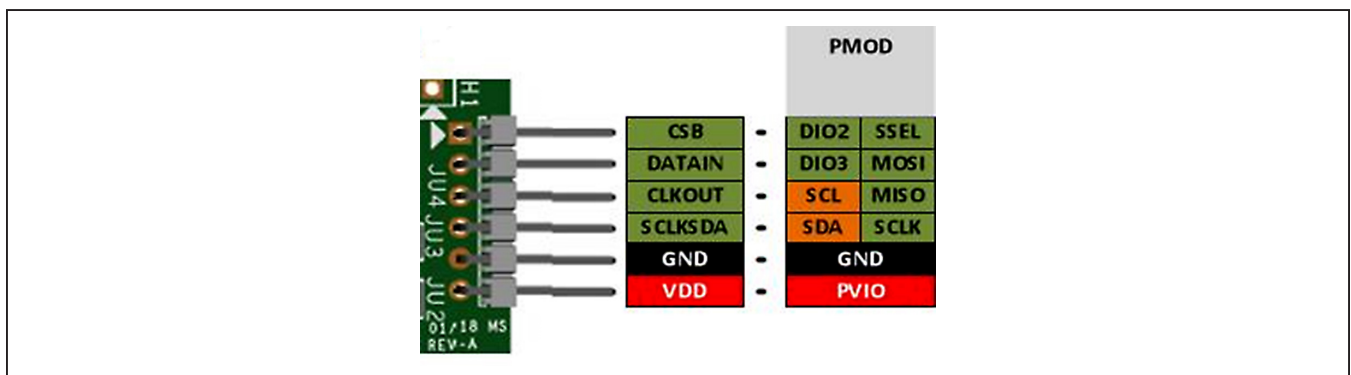
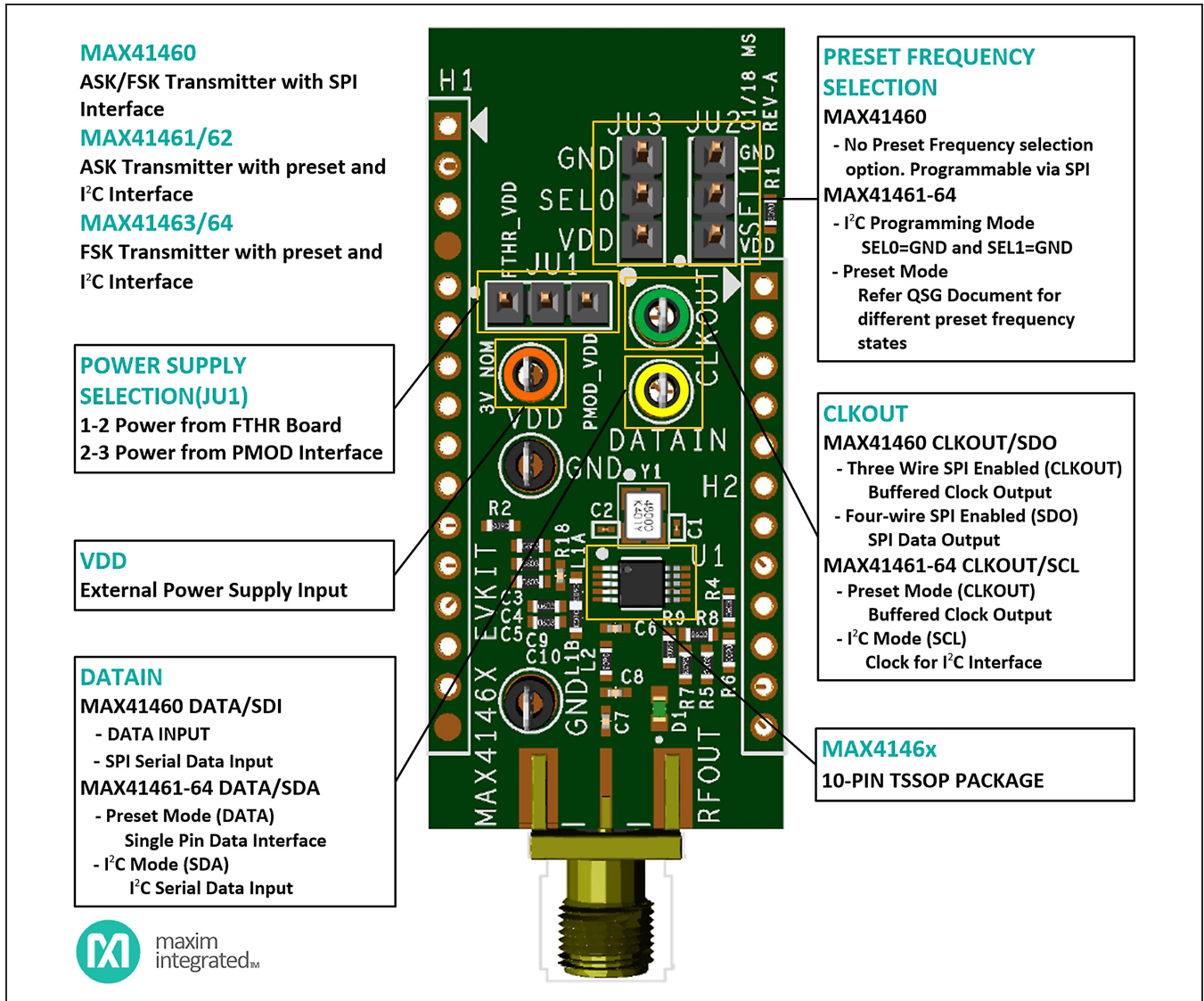


Appendix III – Pinout Sheets

MAX4146x EV Kit

300MHz-928MHz (G)FSK Transmitter with I2C Interface





**MAX32630FTHR**

ARM Cortex-M4F microcontroller rapid development platform.

