



# Dual CMOS Video Amplifier

**MAX457**

## General Description

## Features

The MAX457 contains two unity-gain stable video amplifiers that are capable of driving 75Ω loads with a -3dB bandwidth of 70MHz. The amplifiers operate from ±5V supplies and together consume about 350mW of power. Closed loop gain is set by two external resistors. The pinout of the MAX457 follows that of conventional 8-pin, dual op amps.

- ◆ Unity-Gain Bandwidth of 70MHz
- ◆ Low Input Capacitance: 4pF
- ◆ No Frequency Compensation Required
- ◆ Low Input Bias Current: 100pA
- ◆ Directly Drives 75Ω Cables
- ◆ High Isolation Between Amplifiers: 72dB at 5MHz
- ◆ Low Offset Voltage: 2mV

The amplifiers require no external compensation and because of the CMOS process offer low input bias current of typically 100pA. The isolation between the amplifiers is typically 72dB at 5MHz and differential phase and gain are 0.2 degrees and 0.5% respectively.

## Applications

## Ordering Information

75Ω Cable Drivers

Output Amplifiers for Video Crosspoint Switches

High Speed, Low Gain Applications

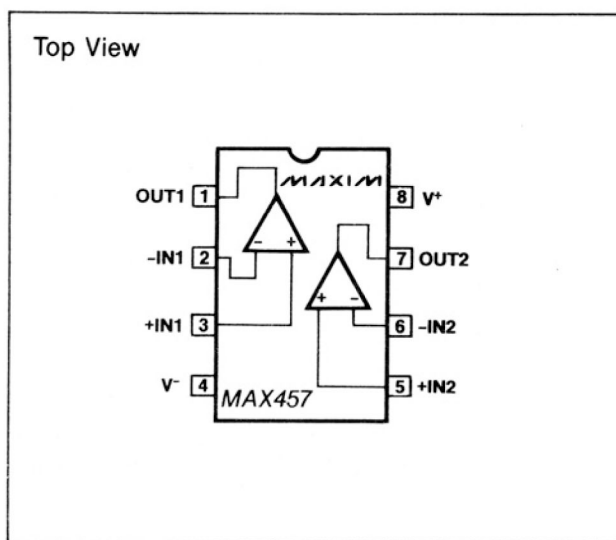
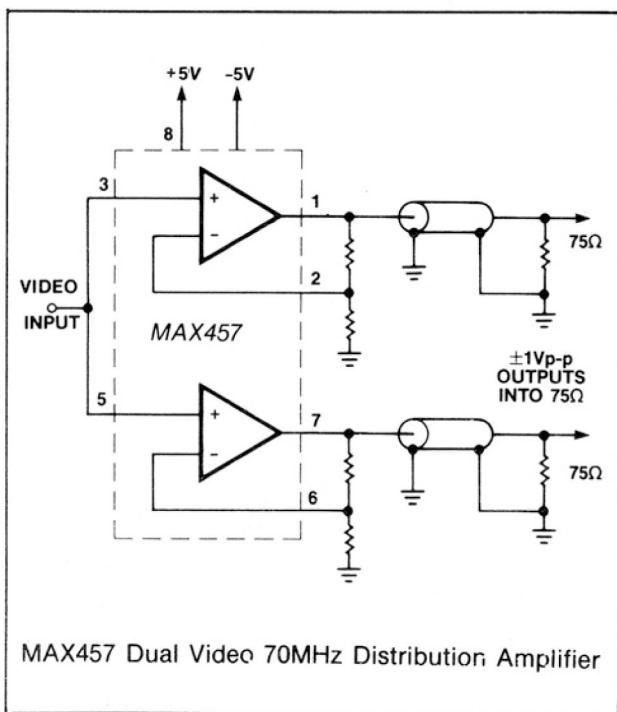
Driving Flash Converters

Video Distribution Amplifiers

PART	TEMP. RANGE	PACKAGE
MAX457CPA	0°C to +70°C	8 Lead Plastic DIP
MAX457CSA	0°C to +70°C	8 Lead SO
MAX457C/D	0°C to +70°C	Dice
MAX457EPA	-40°C to +85°C	8 Lead Plastic DIP
MAX457EJA	-40°C to +85°C	8 Lead CERDIP

## Typical Operating Circuit

## Pin Configuration



# Dual CMOS Video Amplifier

## ABSOLUTE MAXIMUM RATINGS

Total Supply Voltage ( $V^+$ to $V^-$ )	12V	Lead temperature (Soldering 10 sec)	+300°C
Analog Input Voltage	( $V^+ + 0.3V$ ) to ( $V^- - 0.3V$ )	Duration of Output Short Circuit to Ground	Indefinite
Storage Temperature Range	-65°C to +150°C	Input Current, power on or off	±50mA
Operating Temperature Range		Continuous Total Power Dissipation at 70°C	
MAX457CPA, MAX457CSA,		Plastic DIP (derate 8.3mW/°C above 70°C)	660mW
MAX457C/D	0°C to +70°C	CERDIP (derate 8.0mW/°C above 70°C)	640mW
MAX457EPA, MAX457EJA	-40°C to +85°C	Small Outline (derate 5.9mW/°C above 70°C)	470mW

Stresses above those listed under "Absolute Maximum Ratings" may cause permanent damage to the device. These are stress ratings only, and functional operation of the device at these or any other conditions above those indicated in the operational sections of the specification is not implied. Exposure to absolute maximum rating conditions for extended periods may affect device reliability.

## ELECTRICAL CHARACTERISTICS

( $V^+ = +5V$ ,  $V^- = -5V$ ,  $-2V \leq V_{IN} \leq +2V$ , Output Load Resistor = 150Ω,  $T_A = +25^\circ C$ , unless otherwise noted.)

PARAMETER	SYMBOL	CONDITIONS	MIN	TYP	MAX	UNITS
Input Voltage Range	$V_{IN}$	Over Temperature Range	-2		+2	V
Input Offset Voltage	$V_{OS}$		-5	±2	+5	mV
Offset Voltage Drift	$dV_{OS}/dT$			20	100	μV/°C
Input Bias Current	$I_B$	$T_A = +25^\circ C$ $T_A = +70^\circ C$ $T_A = +85^\circ C$		0.1 5 15	1 40 100	nA
Input Resistance	$R_{IN}$	$T_A = +25^\circ C$		10		GΩ
Input Capacitance	$C_{IN}$	Plastic Package		4		pF
Open Loop Voltage Gain	$A_{VOL}$	$R_L = 1000\Omega$ $R_L = 150\Omega$ $R_L = 75\Omega$	200 45 25	300 65 35		V/V
Open Loop Gain Drift Temperature Coefficient	$dA_{VOL}/dT$	$R_L = 150\Omega$		-0.6		%/°C
Common Mode Rejection Ratio	CMRR	$-2V \leq V_{IN} \leq +2V$	54	66		dB
Power Supply Rejection Ratio	PSRR	±4.5V to ±5.5V	54	66		dB
Slew Rate	SR	(Note 1)	150	300		V/μs
-3dB Bandwidth	GBW1	$A_V = 0dB$ , $R_L = 75\Omega$ (Note 1)	50	70		MHz
-3dB Bandwidth	GBW2	$A_V = 6dB$ , $R_L = 150\Omega$ (Note 1)	35	50		MHz
Differential Phase Error	DP	(Notes 1, 2)		0.2		deg
Differential Gain Error	DG	(Notes 1, 2)		0.5		%
Settling Time to 1%	$t_S$	$R_L = 150\Omega$ , $A_V = 6dB$		50		ns
Output Impedance	$R_{OUT}$	$f = 100kHz$ , $A_V = 0dB$		2		Ω
Full Scale Output Current	$I_{OUT}$	$R_L = 150\Omega$	±15	±20		mA
Output Voltage Swing	$V_{OUT}$	$R_L = 150\Omega$	±2.1	±2.5		V
Input Noise, DC to 50MHz	$V_N$	(Note 1)		0.15	0.5	mV <sub>RMS</sub>
Isolation Between Amplifiers	ISOL	$f = 5MHz$ (Note 1)	60	72		dB
Operating Supply Voltage	$V^+$ , $V^-$		±4.5		±5.5	V
Supply Current	$I_S$	$T_A = +25^\circ C$ $T_A = +85^\circ C$ Both Amplifiers	30 34	35 39	42 50	mA

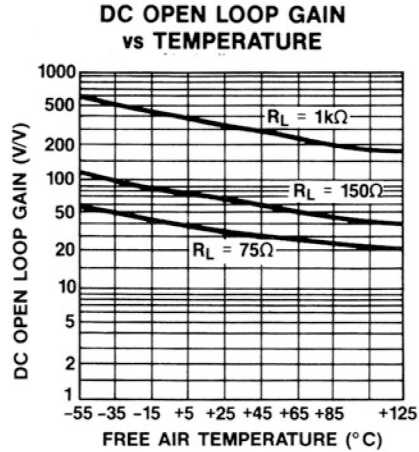
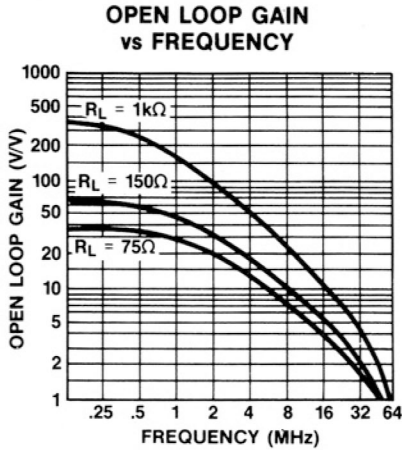
**Note 1:** Guaranteed by design.

**Note 2:** Input test signal: 3.58MHz sine wave of amplitude 40 IRE superimposed on a linear ramp (0 to 100 IRE). The amplifier is operated at a gain of 2V/V while driving a 150Ω load. 140 IRE = 1.0V.

# Dual CMOS Video Amplifier

## Typical Operating Characteristics

MAX457



### Detailed Description

The MAX457's dual video amplifiers are similar in design to the MAX452 single video amplifier, however, improvements have been made in gain linearity and bandwidth. The MAX457 video amplifier is similar to a transconductance amplifier that has an output current proportional to the difference of the voltages at the input terminals. That is,

$$I_{OUT} = G_m \times [(V_{IN}^+) - (V_{IN}^-)]$$

where  $G_m$  is about 0.6 amps/V. The output impedance of the amplifier is about 1.1k $\Omega$ . This gives an unloaded voltage gain of  $G_m \times R_{OUT} = 660V/V$ . This open loop gain is drastically reduced when driving conventional loads of 75 or 150 $\Omega$ .

where  $A$  is the closed loop gain of the amplifier, and  $G$  is the open loop gain of the amplifier (approximately equal to  $G_m \times R_{LOAD}$ ). In this particular example,  $G_m$  is 0.6,  $R_{LOAD}$  is about 124 $\Omega$  [( $R_{OUT}$  paralleled with ( $R_1 + R_2$ ) paralleled with 150 $\Omega$  load)], and  $R_2$  is 1k $\Omega$ . Thus,  $G$  is  $0.6 \times 124 = 74.4V/V$ , and  $A$  is 2V/V (the targeted closed loop gain value). This gives a value of 1.05k $\Omega$  for  $R_1$ .  $C_1$  and  $C_2$  are power supply bypass capacitors.  $C_3$  helps prevent peaking at high frequencies. This peaking results from the input capacitance of the amplifier which is driven by the relatively high impedance of the feedback resistors,  $R_1$  and  $R_2$ . At 50MHz, the feedback resistors cause a substantial phase delay. Adding  $C_3$  eliminates this delay. At higher closed loop gains (about 5V/V or more),  $C_3$  serves little purpose and should be omitted.

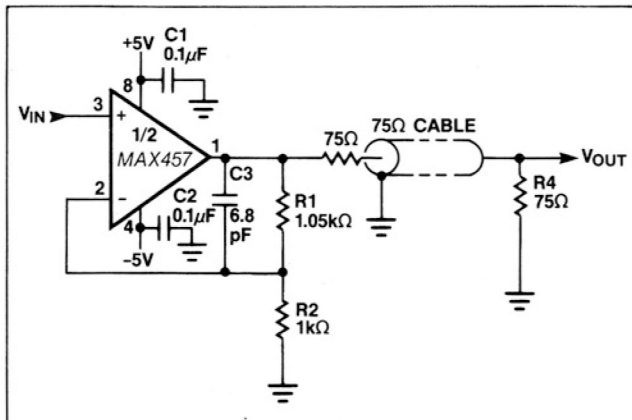


Figure 1. Typical Application

Figure 1 shows a typical application of one of the amplifiers of a MAX457 being used to drive a doubly terminated 75 $\Omega$  cable. The closed loop gain of the amplifier is 2.00V/V.  $R_1$  is 1.05k $\Omega$  instead of 1k $\Omega$  to make up for the low open loop gain of the MAX457.  $R_1$  can be calculated from the following equation:

$$R_1 = [(AG + A - G)/(G - A)] \times R_2$$

The MAX457 is unity gain stable when driving a 75 $\Omega$  load. To insure that the amplifier doesn't oscillate, the load resistor should be nominally  $75 \times A_{VCL}$ , where  $A_{VCL}$  is the closed loop gain of the amplifier. Following this rule will result in a minimum amount of ringing or overshoot. Higher values may be used, but peaking of the output signal may occur in the 30 to 60MHz range. It is generally safe to use loads less than  $150 \times A_{VCL}$ . Table 1 gives suggested loads for various closed loop gains.  $R_2$  is arbitrarily chosen to be 1k $\Omega$ .  $R_1$  is calculated to give the nominal closed loop gain with the specified load. Note that the gain-bandwidth product increases as  $R_{LOAD}$  increases.

Table 1. Gain and Load Resistor Selection

GAIN (V/V)	f-3dB (MHz)	R1 ( $\Omega$ )	R2 ( $\Omega$ )	Rload ( $\Omega$ )
1	70	39	1000	75
2	50	1050	1000	150
5	40	4170	1000	390
10	25	9420	1000	750