

High-Speed, Low-Voltage, CMOS Analog Multiplexers/Switches

MAX4617/MAX4618/ MAX4619

General Description

The MAX4617/MAX4618/MAX4619 are high-speed, low-voltage, CMOS analog ICs configured as an 8-channel multiplexer (MAX4617), two 4-channel multiplexers (MAX4618), and three single-pole/double-throw (SPDT) switches (MAX4619).

These CMOS devices can operate continuously with a +2V to +5.5V single supply. Each switch can handle rail-to-rail analog signals. The off-leakage current is only 1nA at $T_A = +25^\circ\text{C}$ and 10nA at $T_A = +85^\circ\text{C}$.

All digital inputs have 0.8V to 2.4V logic thresholds, ensuring TTL/CMOS-logic compatibility when using a single +5V supply.

Applications

- Battery-Operated Equipment
- Audio/Video Signal Routing
- Low-Voltage Data-Acquisition Systems
- Communications Circuits

Features

- Fast Switching Times
 - 15ns t_{ON}
 - 10ns t_{OFF}
- Pin Compatible with Industry-Standard 74HC4051/74HC4052/74HC4053 and MAX4581/MAX4582/MAX4583
- Guaranteed On-Resistance
 - 10 Ω max (+5V Supply)
 - 20 Ω max (+3V Supply)
- Guaranteed 1 Ω On-Resistance Match Between Channels (Single +5V supply)
- Guaranteed Low Off-Leakage Current: 1nA at +25 $^\circ\text{C}$
- Guaranteed Low On-Leakage Current: 1nA at +25 $^\circ\text{C}$
- +2V to +5.5V Single-Supply Operation
- TTL/CMOS-Logic Compatible
- Low Crosstalk: <-96dB
- High Off-Isolation: <-93dB
- Low Distortion: <0.017% (600 Ω)

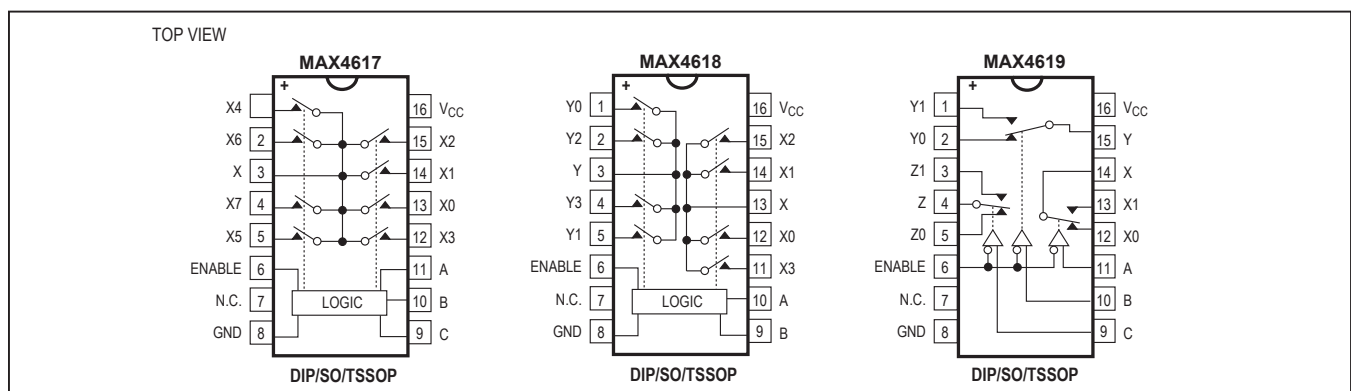
Ordering Information

| PART | TEMP RANGE | PIN-PACKAGE |
|--------------|--|----------------|
| MAX4617CUE+T | 0 $^\circ\text{C}$ to +70 $^\circ\text{C}$ | 16 TSSOP |
| MAX4617CSE+T | 0 $^\circ\text{C}$ to +70 $^\circ\text{C}$ | 16 Narrow SO |
| MAX4617CPE+T | 0 $^\circ\text{C}$ to +70 $^\circ\text{C}$ | 16 Plastic DIP |

+Denotes a lead(Pb)-free/RoHS-compliant package.
T = Tape and reel.

Ordering Information continued at end of data sheet.

Pin Configurations/Functional Diagrams



19-1502; Rev 4; 2/21

Absolute Maximum Ratings

Voltages Referenced to GND

V_{CC}, A, B, C, or Enable.....-0.3V to +6V
Voltage into Any Analog Terminal

(Note 1).....-0.3V to (V_{CC} + 0.3V)

Continuous Current into Any Terminal.....±75mA

Peak Current, X₋, Y₋, Z₋

(pulsed at 1ms, 10% duty cycle).....±200mA

Continuous Power Dissipation (T_A = +70°C)

TSSOP (derate 9.4mW/°C above +70°C).....755mW

Narrow SO (derate 8.70mW/°C above +70°C).....696mW

Plastic DIP (derate 10.53mW/°C above +70°C).....842mW

Operating Temperature Ranges

MAX461_C_.....0°C to +70°C

MAX461_E_.....-40°C to +85°C

Storage Temperature Range.....-65°C to +150°C

Lead Temperature (soldering, 10sec).....+300°C

Soldering Temperature (reflow).....+260°C

Note 1: Voltages exceeding V_{CC} or GND on any analog signal terminal are clamped by internal diodes. Limit forward-diode current to maximum current rating.

Stresses beyond those listed under "Absolute Maximum Ratings" may cause permanent damage to the device. These are stress ratings only, and functional operation of the device at these or any other conditions beyond those indicated in the operational sections of the specifications is not implied. Exposure to absolute maximum rating conditions for extended periods may affect device reliability.

Electrical Characteristics—Single +5V Supply

(V_{CC} = +4.5V to +5.5V, V_H = 2.4V, V_L = 0.8V, T_A = T_{MIN} to T_{MAX}, unless otherwise noted. Typical values are at T_A = +25°C.) (Note 2)

| PARAMETER | SYMBOL | CONDITIONS | MIN | TYP | MAX | UNITS | |
|---|--|--|------------------------|-----|-----------------|-------|-----|
| ANALOG SWITCH | | | | | | | |
| Analog-Signal Range | V _X , V _Y , V _Z | | C, E | 0 | V _{CC} | V | |
| Switch On-Resistance | R _{ON} | V _{CC} = 4.5V; I _X , I _Y , I _Z = 10mA; V _X , V _Y , V _Z = 3V | T _A = +25°C | 8 | 10 | Ω | |
| | | | C, E | | | | 13 |
| Switch On-Resistance Match Between Channels (Note 3) | ΔR _{ON} | V _{CC} = 5V; I _X , I _Y , I _Z = 10mA; V _X , V _Y , V _Z = 3V | T _A = +25°C | 0.2 | 1 | Ω | |
| | | | C, E | | | | 1.2 |
| Switch On-Resistance Flatness (Note 4) | R _{FLAT(ON)} | V _{CC} = 5V; I _X , I _Y , I _Z = 10mA; V _X , V _Y , V _Z = 1V, 2V, 3V | C, E | | 1 | Ω | |
| X ₋ , Y ₋ , Z ₋ Off-Leakage Current (Note 5) | I _{X(OFF)} , I _{Y(OFF)} , I _{Z(OFF)} | V _{CC} = 5.5V; V _{X-} , V _{Y-} , V _{Z-} = 4.5V, 1V; V _X , V _Y , V _Z = 1V, 4.5V | T _A = +25°C | -1 | 0.002 | 1 | nA |
| | | | C, E | -10 | | 10 | |
| X, Y, Z Off-Leakage Current (Note 5) | I _{X(OFF)} , I _{Y(OFF)} , I _{Z(OFF)} | V _{CC} = 5.5V; V _{EE} = -5.5V; V _{X-} , V _{Y-} , V _{Z-} = 4.5V, 1V; V _X , V _Y , V _Z = 1V, 4.5V | T _A = +25°C | -1 | 0.002 | 1 | nA |
| | | | C, E | -10 | | 10 | |
| X, Y, Z On-Leakage Current (Note 5) | I _{X(ON)} , I _{Y(ON)} , I _{Z(ON)} | V _{CC} = 5.5V; V _X , V _Y , V _Z = 1V, 4.5V; V _{X-} , V _{Y-} , V _{Z-} = 1V, 4.5V or unconnected | T _A = +25°C | -1 | 0.002 | 1 | nA |
| | | | C, E | -10 | | 10 | |
| DIGITAL I/O | | | | | | | |
| Input Voltage High | V _{AH} , V _{BH} , V _{CH} , V _{ENABLEH} | | C, E | 2.4 | | V | |
| Input Voltage Low | V _{AL} , V _{BL} , V _{CL} , V _{ENABLEL} | | C, E | | 0.8 | V | |

Electrical Characteristics—Single +5V Supply (continued)

($V_{CC} = +4.5V$ to $+5.5V$, $V_H = 2.4V$, $V_L = 0.8V$, $T_A = T_{MIN}$ to T_{MAX} , unless otherwise noted. Typical values are at $T_A = +25^\circ C$.) (Note 2)

| PARAMETER | SYMBOL | CONDITIONS | | MIN | TYP | MAX | UNITS |
|---------------------------------------|--------------------------------------|---|-----------------------------|---------|--------|------|---------|
| Input Current High | $I_{AH}, I_{BH}, I_{CH}, I_{ENABLE}$ | $V_A, V_B, V_C = V_{ENABLE} = V_{CC}$ | C, E | -1 | 0.0003 | 1 | μA |
| Input Current Low | $I_{AL}, I_{BL}, I_{CL}, I_{ENABLE}$ | $V_A, V_B, V_C = V_{ENABLE} = 0$ | C, E | -1 | 0.0003 | 1 | μA |
| SWITCH DYNAMIC CHARACTERISTICS | | | | | | | |
| Enable Turn-On Time (Note 6) | t_{ON} | $V_{X-}, V_{Y-}, V_{Z-} = 3V; R_L = 300\Omega; C_L = 35pF$; Figure 3 | $T_A = +25^\circ C$ C, E | | 7 | 15 | ns |
| | | | | | | 18 | |
| Enable Turn-Off Time (Note 6) | t_{OFF} | $V_{X-}, V_{Y-}, V_{Z-} = 3V; R_L = 300\Omega; C_L = 35pF$; Figure 3 | $T_A = +25^\circ C$ C, E | | 4.5 | 10 | ns |
| | | | | | | 13 | |
| Address Transition Time (Note 6) | t_{TRANS} | $V_{X-}, V_{Y-}, V_{Z-} = 3V; R_L = 300\Omega; C_L = 35pF$; Figure 2 | $T_A = +25^\circ C$ C, E | | 7 | 15 | ns |
| | | | | | | 18 | |
| Break-Before-Make Time (Note 6) | t_{BBM} | $V_{X-}, V_{Y-}, V_{Z-} = 3V; R_L = 300\Omega; C_L = 35pF$; Figure 4 | $T_A = +25^\circ C$ | 0.2 | 1.5 | | ns |
| Charge Injection | Q | $C = 1nF, R_S = 0, V_S = 0$, Figure 5 | $T_A = +25^\circ C$ | | 3 | | pC |
| Input Off-Capacitance | $C_{X(OFF)}, C_{Y(OFF)}, C_{Z(OFF)}$ | $V_{X-}, V_{Y-}, V_{Z-} = 0; f = 1MHz$; Figure 7 | $T_A = +25^\circ C$ | | 5 | | pF |
| Output Off-Capacitance | $C_{X(OFF)}, C_{Y(OFF)}, C_{Z(OFF)}$ | $V_{X-}, V_{Y-}, V_{Z-} = 0; f = 1MHz$; Figure 7 | $T_A = +25^\circ C$ | | 27 | | pF |
| | | | | MAX4618 | 15 | | |
| | | | | MAX4619 | 8.5 | | |
| Output On-Capacitance | $C_{X(ON)}, C_{Y(ON)}, C_{Z(ON)}$ | $V_{X-}, V_{Y-}, V_{Z-} = 0; f = 1MHz$; Figure 7 | $T_A = +25^\circ C$ | | 32 | | pF |
| | | | | MAX4618 | 21 | | |
| | | | | MAX4619 | 15.5 | | |
| Off-Isolation | V_{ISO} | $R_L = 50\Omega, f = 100kHz$, Figure 6 | $T_A = +25^\circ C$ | | -93 | | dB |
| Channel-to-Channel Crosstalk | V_{CT} | $R_L = 50\Omega, f = 100kHz$, Figure 6 | $T_A = +25^\circ C$ | | -96 | | dB |
| Total Harmonic Distortion | THD | $R_L = 600\Omega, 1V_{P-P}, f = 20Hz$ to $20kHz$ | $T_A = +25^\circ C$ | | 0.017 | | % |
| POWER SUPPLY | | | | | | | |
| Power-Supply Range | V_{CC} | | C, E | +2 | | +5.5 | V |
| Power-Supply Current | I_{CC} | $V_{CC} = 5.5V; V_A, V_B, V_C, V_{ENABLE} = V_{CC}$ or 0 | $T_A = +25^\circ C$ | -1 | | 1 | μA |
| | | | C, E | -10 | | 10 | |

Electrical Characteristics—Single +3.3V Supply

($V_{CC} = +3V$ to $+3.6V$, $V_{H} = 2.0V$, $V_{L} = 0.5V$, $T_A = T_{MIN}$ to T_{MAX} , unless otherwise noted. Typical values are at $T_A = +25^{\circ}C$.) (Note 2)

| PARAMETER | SYMBOL | CONDITIONS | MIN | TYP | MAX | UNITS | |
|---|---|---|----------------------|-----|----------|----------|---------|
| ANALOG SWITCH | | | | | | | |
| Analog-Signal Range | $V_{X_{-}}, V_{Y_{-}}, V_{Z_{-}},$ V_{X}, V_{Y}, V_{Z} | | C, E | 0 | V_{CC} | V | |
| Switch On-Resistance | R_{ON} | $V_{CC} = 3V$; $I_X, I_Y, I_Z = 10mA$; $V_{X_{-}}, V_{Y_{-}}, V_{Z_{-}} = 1.5V$ | $T_A = +25^{\circ}C$ | 8 | 20 | Ω | |
| | | | C, E | | 25 | | |
| X ₋ , Y ₋ , Z ₋ Off-Leakage Current (Note 5) | $I_{X(OFF)},$ $I_{Y(OFF)},$ $I_{Z(OFF)}$ | $V_{CC} = 3.6V$; $V_{X_{-}}, V_{Y_{-}}, V_{Z_{-}} = 1V, 3V$; $V_{X}, V_{Y}, V_{Z} = 3V, 1V$ | $T_A = +25^{\circ}C$ | -1 | 0.002 | 1 | nA |
| | | | C, E | -10 | | 10 | |
| X, Y, Z Off-Leakage Current (Note 6) | $I_{X(OFF)},$ $I_{Y(OFF)},$ $I_{Z(OFF)}$ | $V_{CC} = 3.6V$; $V_{X_{-}}, V_{Y_{-}}, V_{Z_{-}} = 1V, 3V$; $V_{X}, V_{Y}, V_{Z} = 3V, 1V$ | $T_A = +25^{\circ}C$ | -1 | 0.002 | 1 | nA |
| | | | C, E | -10 | | 10 | |
| X, Y, Z On-Leakage Current (Note 6) | $I_{X(ON)},$ $I_{Y(ON)}, I_{Z(ON)}$ | $V_{CC} = 3.6V$; $V_{X_{-}}, V_{Y_{-}}, V_{Z_{-}} = 3V, 1V$; $V_{X}, V_{Y}, V_{Z} = 3V, 1V$, or unconnected | $T_A = +25^{\circ}C$ | -1 | 0.002 | 1 | nA |
| | | | C, E | -10 | | 10 | |
| DIGITAL I/O | | | | | | | |
| Input Voltage High | $V_{AH}, V_{BH},$ $V_{CH},$ $V_{ENABLEH}$ | | C, E | 2.0 | | V | |
| Input Voltage Low | $V_{AL}, V_{BL},$ $V_{CL},$ $V_{ENABLEL}$ | | C, E | | 0.5 | V | |
| Input Current High | $I_{AH}, I_{BH}, I_{CH},$ $I_{ENABLEH}$ | $V_A, V_B, V_C = V_{ENABLE} = V_{CC}$ | C, E | -1 | 0.0003 | 1 | μA |
| Input Current Low | $I_{AL}, I_{BL}, I_{CL},$ $I_{ENABLEL}$ | $V_A, V_B, V_C = V_{ENABLE} = 0$ | C, E | -1 | 0.0003 | 1 | μA |
| SWITCH DYNAMIC CHARACTERISTICS | | | | | | | |
| Enable Turn-On Time (Note 6) | t_{ON} | $V_{X_{-}}, V_{Y_{-}}, V_{Z_{-}} = 1.5V$; $R_L = 300\Omega$; $C_L = 35pF$; Figure 3 | $T_A = +25^{\circ}C$ | 9 | 20 | ns | |
| | | | C, E | | 25 | | |
| Enable Turn-Off Time (Note 6) | t_{OFF} | $V_{X_{-}}, V_{Y_{-}}, V_{Z_{-}} = 1.5V$; $R_L = 300\Omega$; $C_L = 35pF$; Figure 3 | $T_A = +25^{\circ}C$ | 6 | 15 | ns | |
| | | | C, E | | 20 | | |
| Address Transition Time (Note 6) | t_{TRANS} | $V_{X_{-}}, V_{Y_{-}}, V_{Z_{-}} = 1.5V/0$; $R_L = 300\Omega$; $C_L = 35pF$; Figure 2 | $T_A = +25^{\circ}C$ | 9 | 20 | ns | |
| | | | C, E | | 25 | | |
| Break-Before-Make Time (Note 6) | t_{BBM} | $V_{X_{-}}, V_{Y_{-}}, V_{Z_{-}} = 1.5V$; $R_L = 300\Omega$; $C_L = 35pF$ | $T_A = +25^{\circ}C$ | 0.2 | 1.5 | ns | |
| Charge Injection (Note 6) | Q | $C = 1nF, R_S = 0, V_S = 0$, Figure 5 | $T_A = +25^{\circ}C$ | 3 | | pC | |
| POWER SUPPLY | | | | | | | |
| Power-Supply Current | I_{CC} | $V_{CC} = 3.6V$, $V_A, V_B, V_C, V_{ENABLE} = V_{CC}$ or 0 | $T_A = +25^{\circ}C$ | | 1 | μA | |
| | | | C, E | | 10 | | |

Electrical Characteristics—Single +2.5V Supply

($V_{CC} = +2.5V$, $T_A = T_{MIN}$ to T_{MAX} , unless otherwise noted. Typical values are at $T_A = +25^\circ C$.) (Note 2)

| PARAMETER | SYMBOL | CONDITIONS | MIN | TYP | MAX | UNITS |
|---------------------------------------|-------------|---|---------------------|-----|-----|----------|
| ANALOG SWITCH | | | | | | |
| Switch On-Resistance | R_{ON} | $V_{CC} = 2.5V$; $I_X, I_Y, I_Z = 10mA$; $V_X, V_Y, V_Z = 1.2V$ | $T_A = +25^\circ C$ | 30 | 60 | Ω |
| | | | C, E | | 100 | |
| SWITCH DYNAMIC CHARACTERISTICS | | | | | | |
| Enable Turn-On Time (Note 6) | t_{ON} | $V_X, V_Y, V_Z = 1V$; $R_L = 300\Omega$; $C_L = 35pF$; Figure 3 | $T_A = +25^\circ C$ | 12 | | ns |
| Enable Turn-Off Time (Note 6) | t_{OFF} | $V_X, V_Y, V_Z = 1V$; $R_L = 300\Omega$; $C_L = 35pF$; Figure 3 | $T_A = +25^\circ C$ | 10 | | ns |
| Address Transition Time (Note 6) | t_{TRANS} | $V_X, V_Y, V_Z = 1V$; $R_L = 300\Omega$; $C_L = 35pF$; Figure 3 | $T_A = +25^\circ C$ | 12 | | ns |

Note 2: The algebraic convention is used in this data sheet; the most negative value is shown in the minimum column.

Note 3: $\Delta R_{ON} = R_{ON(MAX)} - R_{ON(MIN)}$.

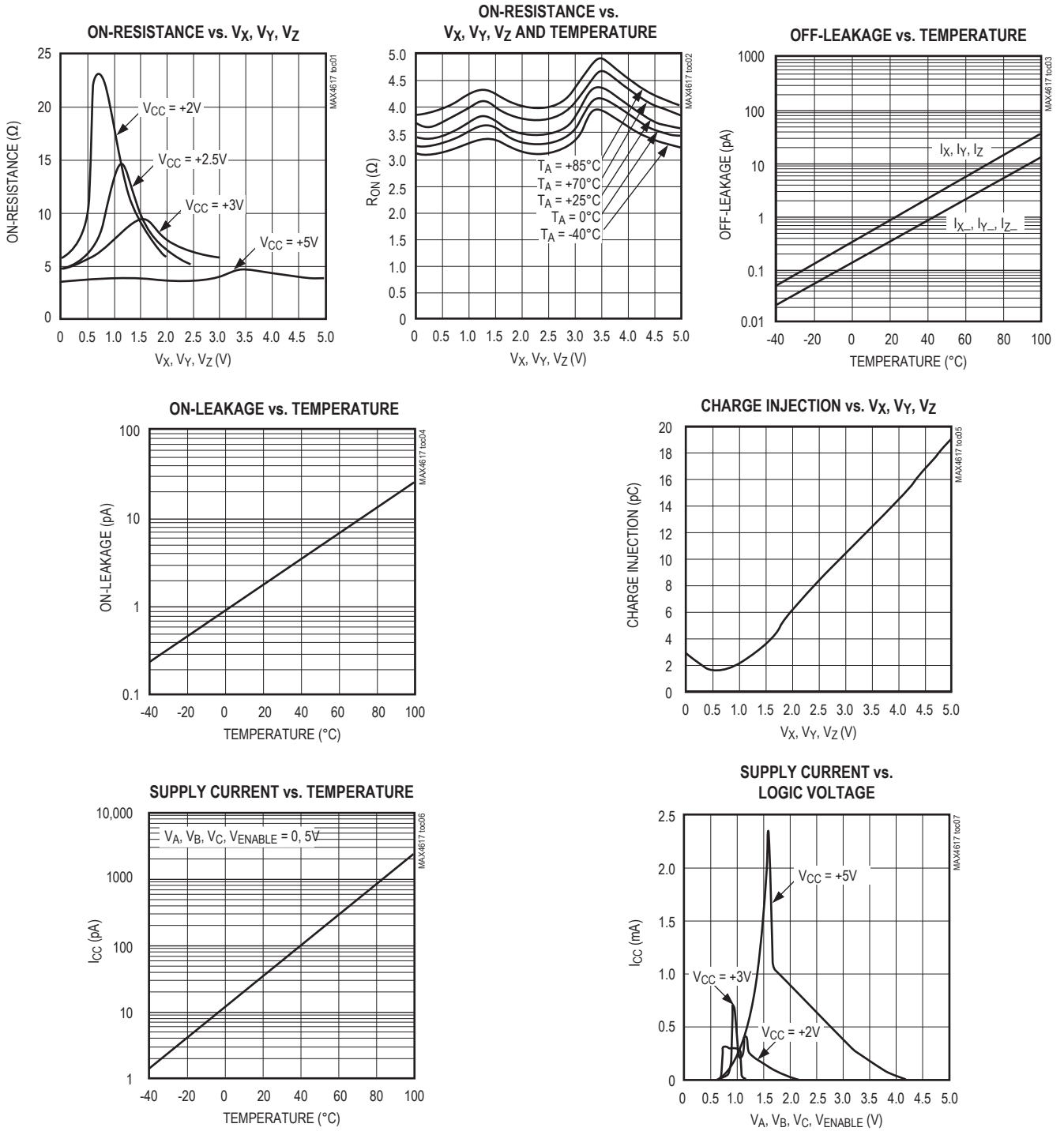
Note 4: Flatness is defined as the difference between the maximum and minimum value of on-resistance as measured over the specified analog signal ranges; i.e., $V_X, V_Y, V_Z = 3V$ to 0 and 0 to -3V.

Note 5: Leakage parameters are 100% tested at maximum-rated hot operating temperature, and guaranteed by correlation at $T_A = +25^\circ C$.

Note 6: Guaranteed by design, not production tested.

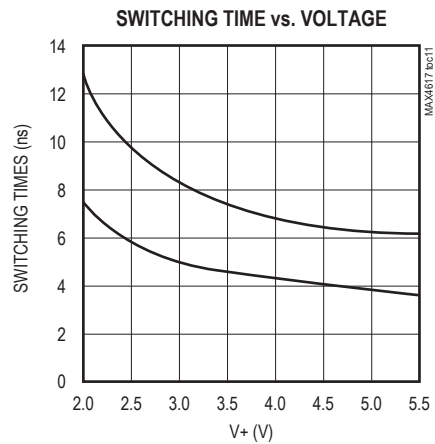
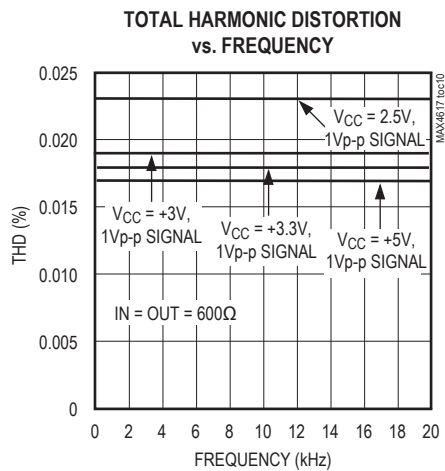
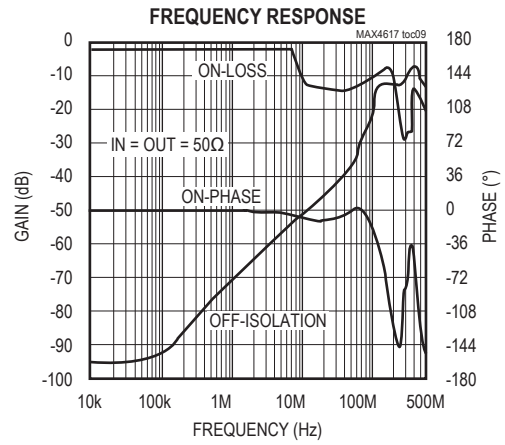
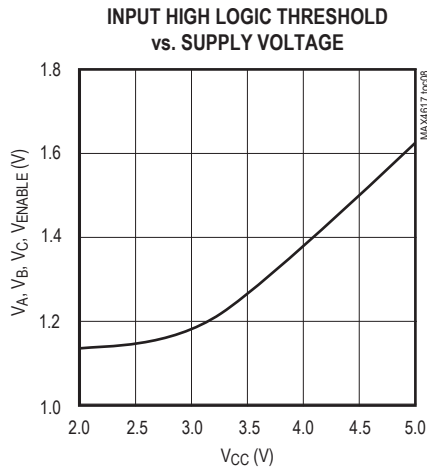
Typical Operating Characteristics

($V_{CC} = +5V$, $GND = 0$, $T_A = +25^\circ C$, unless otherwise noted.)



Typical Operating Characteristics (continued)

($V_{CC} = +5V$, $GND = 0$, $T_A = +25^\circ C$, unless otherwise noted.)



Pin Description

| PIN | | | NAME | FUNCTION |
|-------------------------------|----------------|---------|-----------------|---|
| MAX4617 | MAX4618 | MAX4619 | | |
| 13, 14, 15, 12, 1, 5, 2, 4 | — | — | X0–X7 | Analog Switch Inputs 0–7 |
| 3 | — | — | X | Analog Switch Output |
| — | 12, 14, 15, 11 | — | X0, X1, X2, X3 | Analog Switch “X” Inputs 0–3 |
| — | 13 | 14 | X | Analog Switch “X” Output |
| — | — | 13 | X1 | Analog Switch “X” Normally Open Input |
| — | — | 12 | X0 | Analog Switch “X” Normally Closed Input |
| — | — | 1 | Y1 | Analog Switch “Y” Normally Open Input |
| — | — | 2 | Y0 | Analog Switch “Y” Normally Closed Input |
| 6 | 6 | 6 | ENABLE | Digital Enable Input. Normally connect to GND. Can be driven to logic high to set all switches off. |
| 7 | 7 | 7 | N.C. | No Connection. Not Internally connected. |
| 8 | 8 | 8 | GND | Ground |
| 11 | 10 | 11 | A | Digital Address “A” Input |
| 10 | 9 | 10 | B | Digital Address “B” Input |
| 9 | — | 9 | C | Digital Address “C” Input |
| — | 1, 5, 2, 4 | — | Y0, Y1, Y2, Y3 | Analog Switch “Y” Inputs 0–3 |
| — | 3 | 15 | Y | Analog Switch “Y” Output |
| — | — | 5 | Z0 | Analog Switch “Z” Normally Closed Input |
| — | — | 3 | Z1 | Analog Switch “Z” Normally Open Input |
| — | — | 4 | Z | Analog Switch “Z” Output |
| 16 | 16 | 16 | V _{CC} | Positive Analog and Digital Supply Voltage Input |

Note: Input and output pins are identical and interchangeable. Any may be considered an input or output; signals pass equally well in both directions.

Applications Information

Power-Supply Considerations

Overview

The MAX4617/MAX4618/MAX4619 construction is typical of most CMOS analog switches. They have two supply pins: V_{CC} and GND. V_{CC} and GND are used to drive the internal CMOS switches and set the limits of the analog voltage on any switch. Reverse ESD-protection diodes are internally connected between each analog-signal pin and both V_{CC} and GND. If any analog signal exceeds V_{CC} or GND, one of these diodes conducts. During normal operation, these and other reverse-biased ESD diodes leak, forming the only current drawn from V_{CC} or GND.

Virtually all the analog leakage current comes from the ESD diodes. Although the ESD diodes on a given signal pin are identical and therefore fairly well balanced, they are reverse biased differently. Each is biased by either V_{CC} or GND and the analog signal. This means their leakages will vary as the signal varies. The difference in the two diode leakages to the V_{CC} and GND pins constitutes the analog-signal-path leakage current. All analog leakage current flows between each pin and one of the supply terminals, not to the other switch terminal. This is why both sides of a given switch can show leakage currents of either the same or opposite polarity.

V_{CC} and GND power the internal logic and set the input logic limits. Logic inputs have ESD-protection diodes to ground.

MAX4617/MAX4618/ MAX4619

High-Speed, Low-Voltage, CMOS Analog Multiplexers/Switches

The logic-level thresholds are TTL/CMOS compatible when V_{CC} is +5V. As V_{CC} rises, the threshold increases; as V_{CC} falls, the threshold decreases. For example, when $V_{CC} = +3V$ the guaranteed minimum logic-high threshold decreases to 2.0V.

Power Supply

These devices operate from a single supply between +2.5V and +5.5V. All of the bipolar precautions must be observed. At room temperature, they actually “work” with a single supply near or below +2V, although as supply voltage decreases, switch on-resistance becomes very high.

Overvoltage Protection

Proper power-supply sequencing is recommended for all CMOS devices. Do not exceed the absolute maximum ratings because stresses beyond the listed ratings can cause permanent damage to the devices. Always sequence V_{CC} on first, followed by the logic inputs and analog signals. If power-supply sequencing is not possible, add two small signal diodes (D1, D2) in series with the supply pins for overvoltage protection (Figure 1).

Adding diodes reduces the analog-signal range to one diode drop below V_{CC} and one diode drop above GND, but does not affect the devices’ low switch resistance and low leakage characteristics. Device operation is unchanged, and the difference between V_{CC} and GND should not exceed 6V. These protection diodes are not recommended if signal levels must extend to ground.

High-Frequency Performance

In 50 Ω systems, signal response is reasonably flat up to 50MHz (see *Typical Operating Characteristics*). Above 20MHz, the on-response has several minor peaks that are highly layout dependent. The problem is not turning the switch on, but turning it off. The off-state switch acts like a capacitor and passes higher frequencies with less attenuation. At 10MHz, off-isolation is about -50dB in 50 Ω systems, becoming worse (approximately 20dB per decade) as frequency increases.

Higher circuit impedances also degrade off-isolation. Adjacent channel attenuation is about 3dB above that of a bare IC socket and is entirely due to capacitive coupling.

Pin Nomenclature

The MAX4617/MAX4618/MAX4619 are pin compatible with the industry-standard 74HC4051/74HC4052/74HC4053 and the MAX4581/MAX4582/MAX4583. In single-supply applications, they function identically and have identical logic diagrams, although these parts differ electrically.

The pin designations and logic diagrams in this data sheet conform to the original 1972 specifications published by RCA for the CD4051/CD4052/CD4053. These designations differ from the standard Maxim switch and mux designations found on other Maxim data sheets (including the MAX4051/MAX4052/MAX4053) and may cause confusion. Designers who feel more comfortable with Maxim’s standard designations are advised that the pin designations and logic diagrams on the MAX4051/MAX4052/MAX4053 data sheet may be freely applied to the MAX4617/MAX4618/MAX4619.

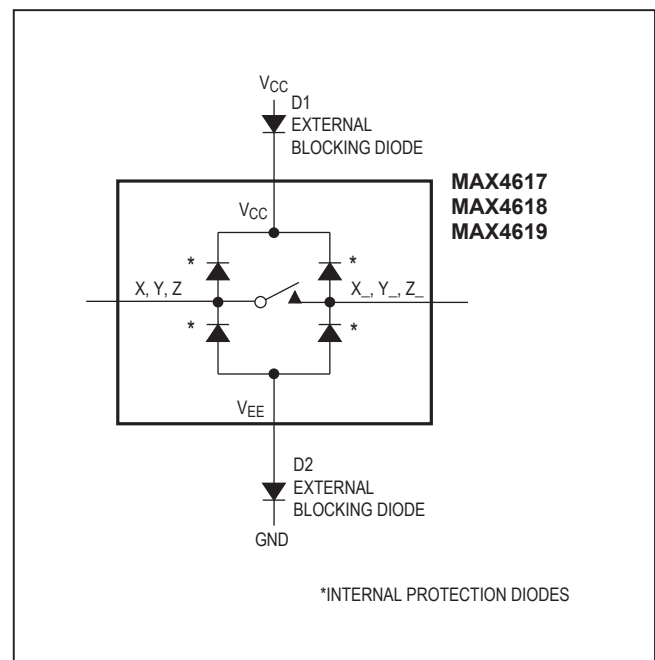


Figure 1. Overvoltage Protection Using External Blocking Diodes

Table 1. Truth Table/Switch Programming

| ENABLE INPUT | SELECT INPUTS | | | ON SWITCHES | | |
|--------------|---------------|---|---|-------------------|-------------------|------------------------|
| | C* | B | A | MAX4617 | MAX4618 | MAX4619 |
| H | X | X | X | All switches open | All switches open | All switches open |
| L | L | L | L | X-X0 | X-X0, Y-Y0 | X-X0, Y-Y0, Z-Z0 |
| L | L | L | H | X-X1 | X-X1, Y-Y1 | X-X1, Y-Y0, Z-Z0 |
| L | L | H | L | X-X2 | X-X2, Y-Y2 | X-X0, Y-Y1, Z-Z0 |
| L | L | H | H | X-X3 | X-X3, Y-Y3 | X-X1, Y-Y1, Z-Z0 |
| L | H | L | L | X-X4 | X-X0, Y-Y0 | X-X0, Y-Y0, Z-Z1 |
| L | H | L | H | X-X5 | X-X1, Y-Y1 | X-X1, Y-Y0, Z-Z1 |
| L | H | H | L | X-X6 | X-X2, Y-Y2 | X-X0, Y-Y1, Z-Z1 |
| L | H | H | H | X-X7 | X-X3, Y-Y3 | X-X1, Y-Y1, Z-Z1 |

X = Don't care

*C not present on MAX4618.

Note: Input and output pins are identical and interchangeable. Either may be considered an input or output; signals pass equally well in both directions.

Test Circuits/Timing Diagrams

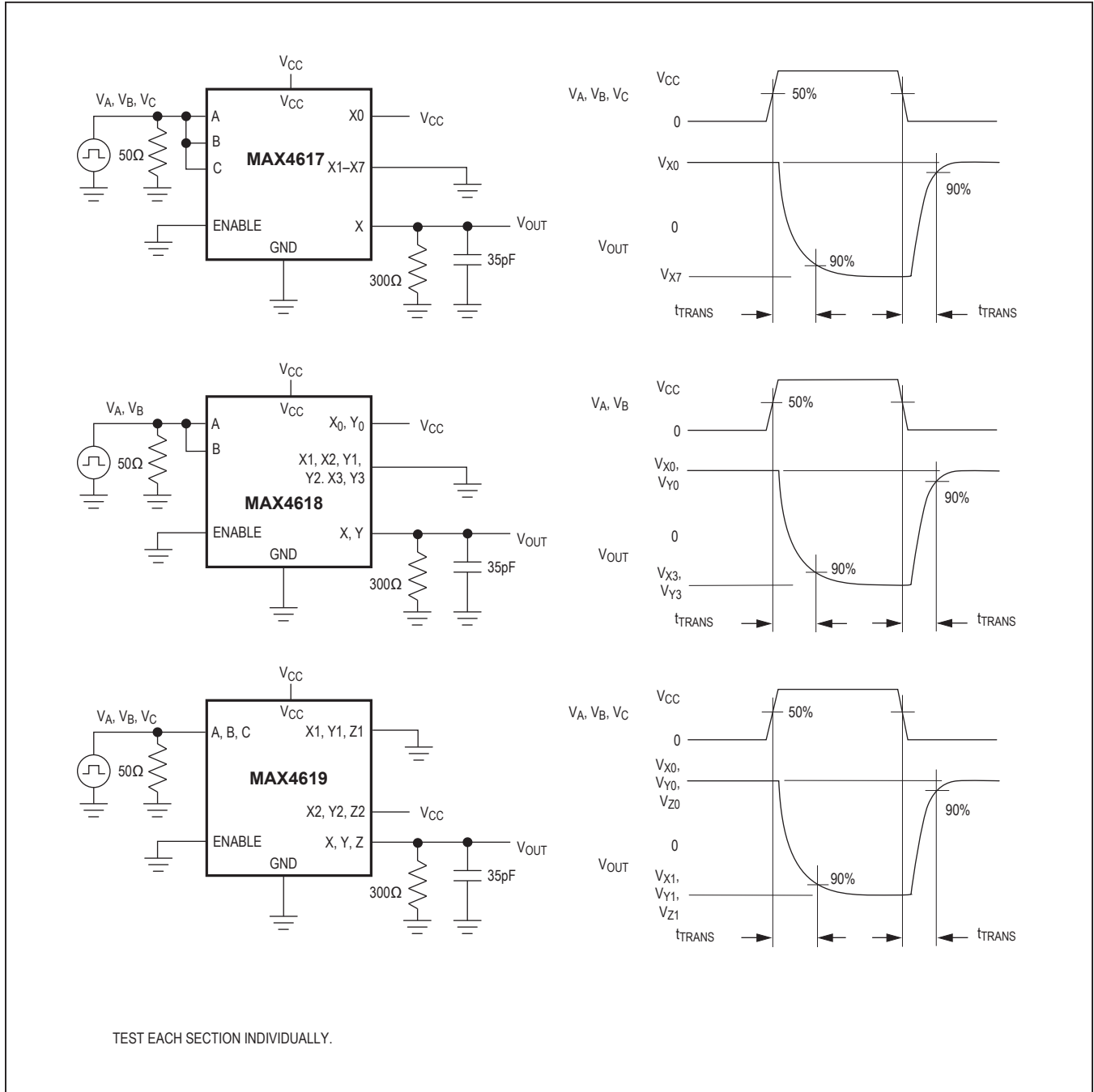


Figure 2. Address Transition Times

Test Circuits/Timing Diagrams (continued)

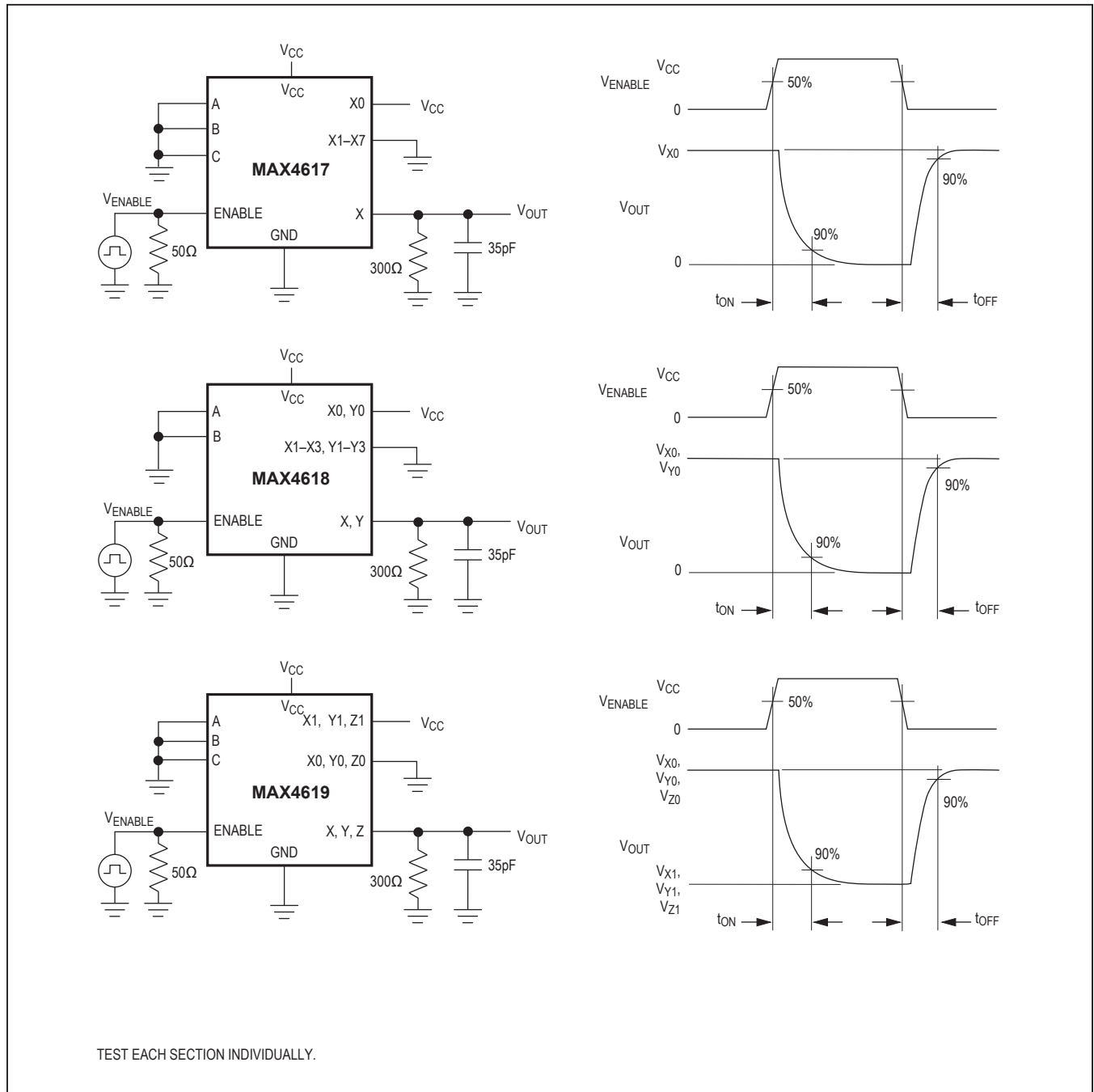


Figure 3. Enable Switching Times

Test Circuits/Timing Diagrams (continued)

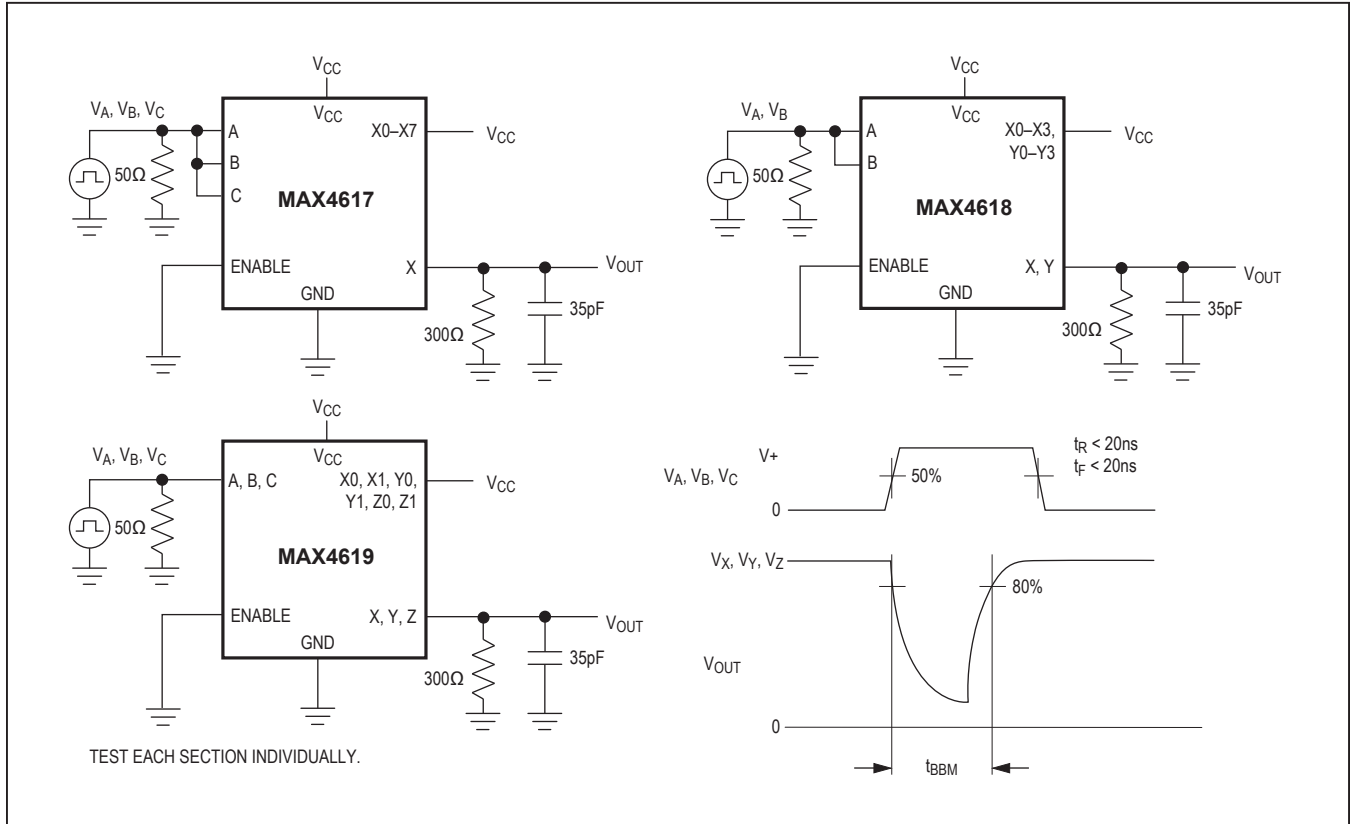


Figure 4. Break-Before-Make Interval

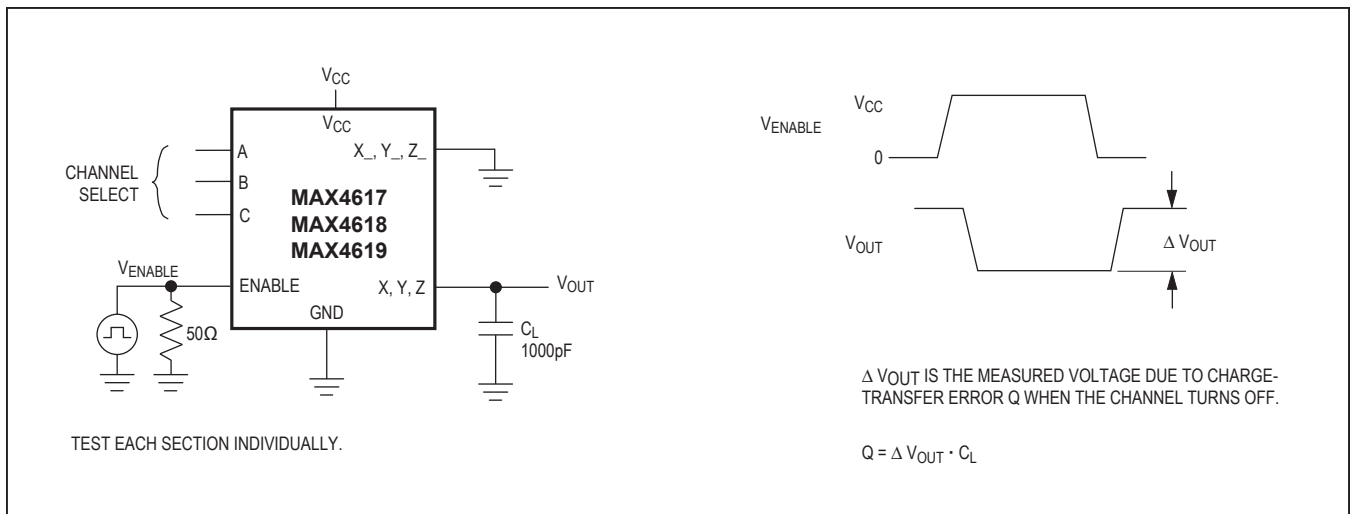


Figure 5. Charge Injection

Test Circuits/Timing Diagrams (continued)

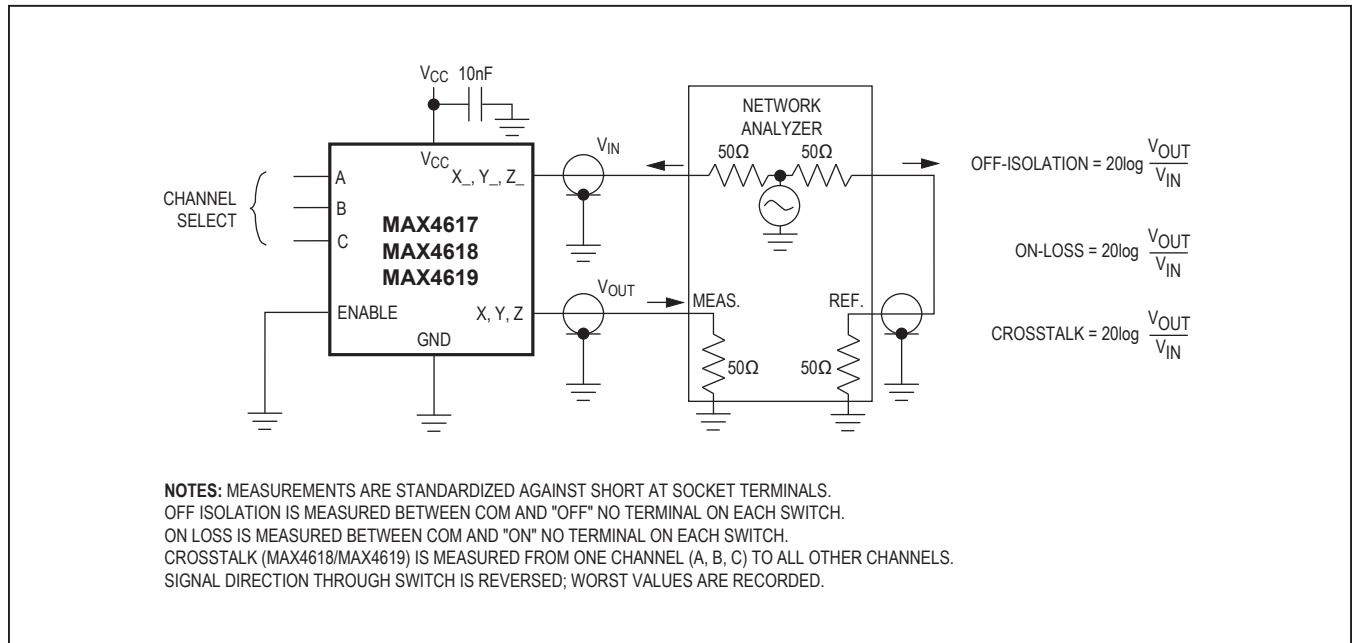


Figure 6. Off-Isolation, On-Loss, and Crosstalk

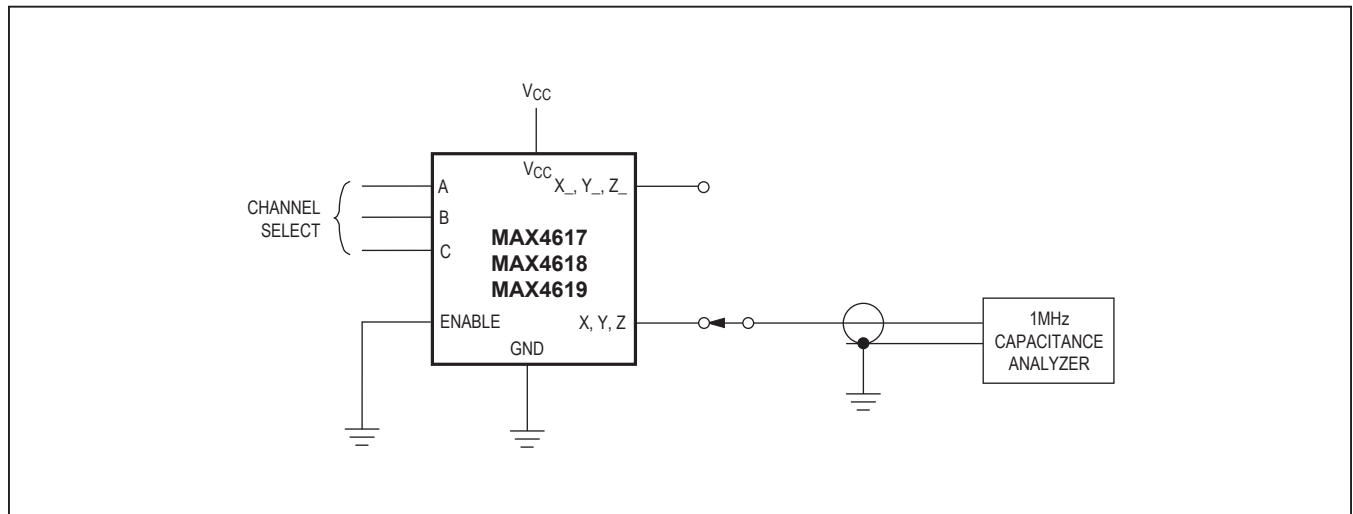


Figure 7. Capacitance

MAX4617/MAX4618/ MAX4619

High-Speed, Low-Voltage, CMOS Analog Multiplexers/Switches

Ordering Information (continued)

| PART | TEMP RANGE | PIN-PACKAGE |
|----------------------|----------------|----------------|
| MAX4617EUE+T | -40°C to +85°C | 16 TSSOP |
| MAX4617ESE+T | -40°C to +85°C | 16 Narrow SO |
| MAX4617EPE+T | -40°C to +85°C | 16 Plastic DIP |
| MAX4618 CUE+T | 0°C to +70°C | 16 TSSOP |
| MAX4618CSE+T | 0°C to +70°C | 16 Narrow SO |
| MAX4618CPE+T | 0°C to +70°C | 16 Plastic DIP |
| MAX4618EUE+T | -40°C to +85°C | 16 TSSOP |
| MAX4618ESE+T | -40°C to +85°C | 16 Narrow SO |
| MAX4618EPE+T | -40°C to +85°C | 16 Plastic DIP |
| MAX4619 CUE+T | 0°C to +70°C | 16 TSSOP |
| MAX4619CSE+T | 0°C to +70°C | 16 Narrow SO |
| MAX4619CPE+T | 0°C to +70°C | 16 Plastic DIP |
| MAX4619EUE+T | -40°C to +85°C | 16 TSSOP |
| MAX4619ESE+T | -40°C to +85°C | 16 Narrow SO |
| MAX4619EPE+T | -40°C to +85°C | 16 Plastic DIP |

+Denotes a lead(Pb)-free/RoHS-compliant package.

T = Tape and reel.

Chip Information

PROCESS: BiCMOS

Package Information

For the latest package outline information and land patterns (footprints), go to www.maximintegrated.com/packages. Note that a "+", "#", or "-" in the package code indicates RoHS status only. Package drawings may show a different suffix character, but the drawing pertains to the package regardless of RoHS status.

| PACKAGE TYPE | PACKAGE CODE | OUTLINE NO. | LAND PATTERN NO. |
|--------------|--------------|-------------------------|-------------------------|
| 16 TSSOP | U16+2 | 21-0066 | 90-0117 |
| 16 Narrow SO | S16+3 | 21-0041 | 90-0097 |
| 16 PDIP | P16+1 | 21-0043 | — |