



**Absolute Maximum Ratings**

V<sub>DD</sub> to GND .....-0.3V to +6V  
 H<sub>-</sub>, W<sub>-</sub>, L<sub>-</sub> to GND .....-0.3V to the lower of  
 (V<sub>DD</sub> + 0.3V) and +6V  
 All Other Pins to GND .....-0.3V to +6V  
 Continuous Current into H<sub>-</sub>, W<sub>-</sub>, and L<sub>-</sub>  
 MAX5389L..... ±5mA  
 MAX5389M..... ±2mA  
 MAX5389N ..... ±1mA

Continuous Power Dissipation (T<sub>A</sub> = +70°C)  
 14-Pin TSSOP (derate 10mW/°C above +70°C).....796.8mW  
 Operating Temperature Range..... -40°C to +125°C  
 Junction Temperature..... +150°C  
 Storage Temperature Range..... -65°C to +150°C  
 Lead Temperature (soldering, 10s) ..... +300°C  
 Soldering Temperature (reflow) ..... +260°C

Stresses beyond those listed under "Absolute Maximum Ratings" may cause permanent damage to the device. These are stress ratings only, and functional operation of the device at these or any other conditions beyond those indicated in the operational sections of the specifications is not implied. Exposure to absolute maximum rating conditions for extended periods may affect device reliability.

**Electrical Characteristics**

(V<sub>DD</sub> = +2.6V to +5.5V, V<sub>H-</sub> = V<sub>DD</sub>, V<sub>L-</sub> = 0V, T<sub>A</sub> = -40°C to +125°C, unless otherwise noted. Typical values are at V<sub>DD</sub> = +5V, T<sub>A</sub> = +25°C.) (Note 1)

| PARAMETER   | SYMBOL                            | CONDITIONS                                      | MIN      | TYP  | MAX   | UNITS  |     |
|---|-----------------------------------|---|----------|------|-------|--------|-----|
| Resolution  | N                                 |   | 256      |      |       | Taps   |     |
| <b>DC PERFORMANCE (Voltage-Divider Mode)</b>            |                                   |   |          |      |       |        |     |
| Integral Nonlinearity                                   | INL                               | (Note 2)  | -0.5     |      | +0.5  | LSB    |     |
| Differential Nonlinearity                               | DNL                               | (Note 2)  | -0.5     |      | +0.5  | LSB    |     |
| Dual Code Matching                                      |                                   | Register A = register B                         | -0.5     |      | +0.5  | LSB    |     |
| Ratiometric Resistor Tempco                             |                                   | (ΔV <sub>W</sub> /V <sub>W</sub> )/ ΔT, no load |          | +5   |       | LSB    |     |
| Full-Scale Error  |                                   | Code = FFH                                      | MAX5389L | -3   | -2.5  | LSB    |     |
|   |                                   |   | MAX5389M | -1   | -0.5  |        |     |
|   |                                   |   | MAX5389N | -0.5 | -0.25 |        |     |
| Zero-Scale Error  |                                   | Code = 00H                                      | MAX5389L |      | +2.5  | LSB    |     |
|   |                                   |   | MAX5389M |      | +0.5  |        |     |
|   |                                   |   | MAX5389N |      | +0.25 |        |     |
| <b>DC PERFORMANCE (Variable-Resistor Mode) (Note 3)</b> |                                   |   |          |      |       |        |     |
| Integral Nonlinearity                                   | R-INL                             | V <sub>DD</sub> > +2.6V                         | MAX5389L |      | ±1.0  | LSB    |     |
|   |                                   |   | MAX5389M |      | ±0.5  |        |     |
|   |                                   |   | MAX5389N |      | ±0.25 |        |     |
|   |                                   | V <sub>DD</sub> > +4.75V                        | MAX5389L |      | ±0.4  |        | LSB |
|   |                                   |   | MAX5389M |      | ±0.3  |        |     |
|   |                                   |   | MAX5389N |      | ±0.25 |        |     |
| Differential Nonlinearity                               | R-DNL                             | V <sub>DD</sub> ≥ 2.6V                          | -0.5     |      | +0.5  | LSB    |     |
| <b>DC PERFORMANCE (Resistor Characteristics)</b>        |                                   |   |          |      |       |        |     |
| Wiper Resistance (Note 4)                               | R <sub>WL</sub>                   | V <sub>DD</sub> > 2.6V                          |          | 250  | 600   | Ω      |     |
|   |                                   | V <sub>DD</sub> > 4.75V                         |          | 150  | 200   |        |     |
| Terminal Capacitance                                    | C <sub>H-</sub> , C <sub>L-</sub> | Measured to GND                                 |          | 10   |       | pF     |     |
| Wiper Capacitance                                       | C <sub>W-</sub>                   | Measured to GND                                 |          | 50   |       | pF     |     |
| End-to-End Resistor Tempco                              | TC <sub>R</sub>                   | No load   |          | 35   |       | ppm/°C |     |
| End-to-End Resistor Tolerance                           | ΔR <sub>HL</sub>                  | Wiper not connected                             | -25      |      | +25   | %      |     |

## Electrical Characteristics (continued)

( $V_{DD} = +2.6V$  to  $+5.5V$ ,  $V_{H\_} = V_{DD}$ ,  $V_{L\_} = 0V$ ,  $T_A = -40^{\circ}C$  to  $+125^{\circ}C$ , unless otherwise noted. Typical values are at  $V_{DD} = +5V$ ,  $T_A = +25^{\circ}C$ .) (Note 1)

| PARAMETER  | SYMBOL    | CONDITIONS                                  | MIN      | TYP   | MAX | UNITS        |
|--|-----------|---|----------|-------|-----|--------------|
| <b>AC PERFORMANCE</b>                            |           |   |          |       |     |              |
| Crosstalk  |           | (Note 5)                                    |          | -90   |     | dB           |
| -3dB Bandwidth                                   | BW        | Code = 80H, 10pF load,<br>$V_{DD} = +2.6V$  | MAX5389L | 600   |     | kHz          |
|  |           |   | MAX5389M | 150   |     |              |
|  |           |   | MAX5389N | 75    |     |              |
| Total Harmonic Distortion Plus Noise             | THD+N     | Measured at W, $V_{H\_} = 1V_{RMS}$ at 1kHz |          | 0.015 |     | %            |
| Wiper Settling Time (Note 6)                     | $t_S$     | MAX5389L                                    |          | 300   |     | ns           |
|  |           | MAX5389M                                    |          | 1000  |     |              |
|  |           | MAX5389N                                    |          | 2000  |     |              |
| <b>POWER SUPPLIES</b>                            |           |   |          |       |     |              |
| Supply Voltage Range                             | $V_{DD}$  |   | 2.6      |       | 5.5 | V            |
| Standby Current                                  |           | Digital inputs = $V_{DD}$ or GND            |          | 1     |     | $\mu A$      |
| <b>DIGITAL INPUTS</b>                            |           |   |          |       |     |              |
| Minimum Input High Voltage                       | $V_{IH}$  |   | 70       |       |     | % x $V_{DD}$ |
| Maximum Input Low Voltage                        | $V_{IL}$  |   |          |       | 30  | % x $V_{DD}$ |
| Input Leakage Current                            |           |   | -1       |       | +1  | $\mu A$      |
| Input Capacitance                                |           |   |          | 5     |     | pF           |
| <b>TIMING CHARACTERISTICS (Note 7)</b>           |           |   |          |       |     |              |
| Maximum $\overline{INC\_}$ Frequency             | $f_{MAX}$ |   |          |       | 10  | MHz          |
| $\overline{CS}$ to $\overline{INC\_}$ Setup Time | $t_{CI}$  |   | 25       |       |     | ns           |
| $\overline{CS}$ to $\overline{INC\_}$ Hold Time  | $t_{IC}$  |   | 0        |       |     | ns           |
| $\overline{INC\_}$ Low Period                    | $t_{IL}$  |   | 25       |       |     | ns           |
| $\overline{INC\_}$ High Period                   | $t_{IH}$  |   | 25       |       |     | ns           |
| $UD\_$ to $\overline{INC\_}$ Setup Time          | $t_{DI}$  |   | 50       |       |     | ns           |
| $UD\_$ to $\overline{INC\_}$ Hold Time           | $t_{ID}$  |   | 0        |       |     | ns           |

**Note 1:** All devices are 100% production tested at  $T_A = +25^{\circ}C$ . Specifications over temperature limits are guaranteed by design and characterization.

**Note 2:** DNL and INL are measured with the potentiometer configured as a voltage-divider (Figure 1) with  $H\_ = V_{DD}$  and  $L\_ = GND$ . The wiper terminal is unloaded and measured with a high-input-impedance voltmeter.

**Note 3:** R-DNL and R-INL are measured with the potentiometer configured as a variable resistor (Figure 1). DNL and INL are measured with potentiometer configured as a variable resistor.  $H\_$  is unconnected and  $L\_ = GND$ . For  $V_{DD} = +5V$ , the wiper terminal is driven with a source current of  $400\mu A$  for the  $10k\Omega$  configuration,  $80\mu A$  for the  $50k\Omega$  configuration, and  $40\mu A$  for the  $100k\Omega$  configuration. For  $V_{DD} = +2.6V$ , the wiper terminal is driven with a source current of  $200\mu A$  for the  $10k\Omega$  configuration,  $40\mu A$  for the  $50k\Omega$  configuration, and  $20\mu A$  for the  $100k\Omega$  configuration.

**Note 4:** The wiper resistance is the worst value measured by injecting the currents given in Note 3 into  $W\_$  with  $L\_ = GND$ .  $R_W = (V_W - V_H)/I_W$ .

**Note 5:** Drive HA with a 1kHz, GND to  $V_{DD}$  amplitude, tone. LA = LB = GND. No load. WB is at midscale with a 10pF load. Measure WB.

**Note 6:** The wiper-settling time is the worst case 0 to 50% rise time, measured between tap 0 and tap 127.  $H\_ = V_{DD}$ ,  $L\_ = GND$ , and the wiper terminal is loaded with 10pF capacitance to ground.

**Note 7:** Digital timing is guaranteed by design and characterization, not production tested.

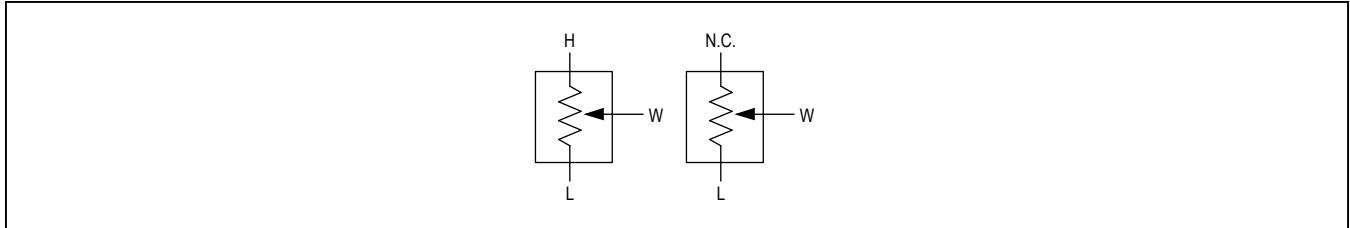
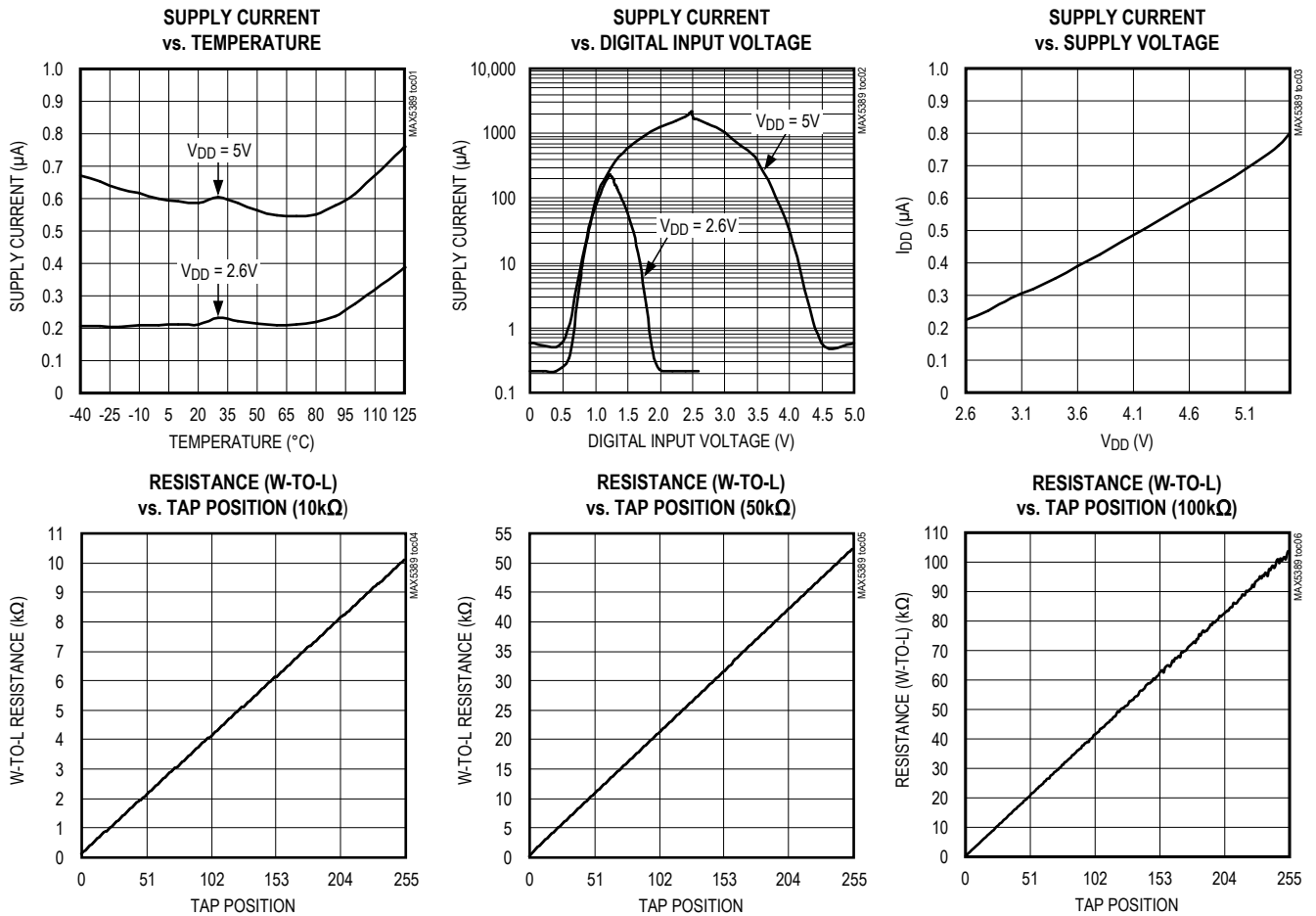


Figure 1. Voltage-Divider and Variable Resistor Configurations

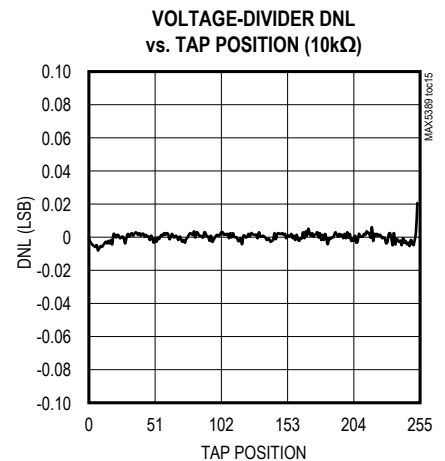
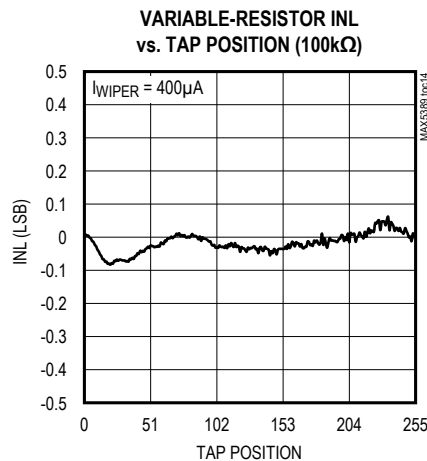
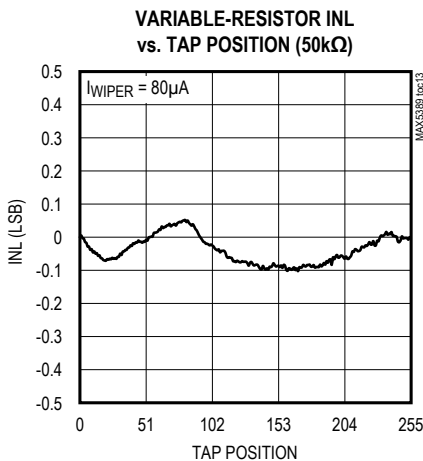
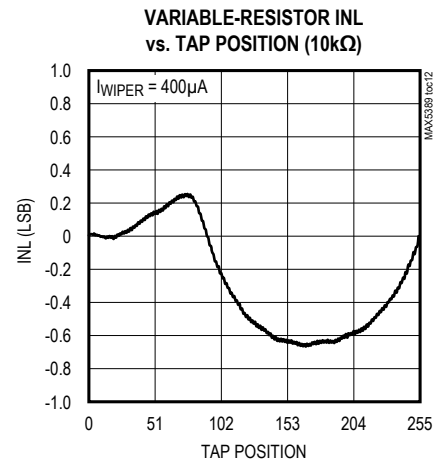
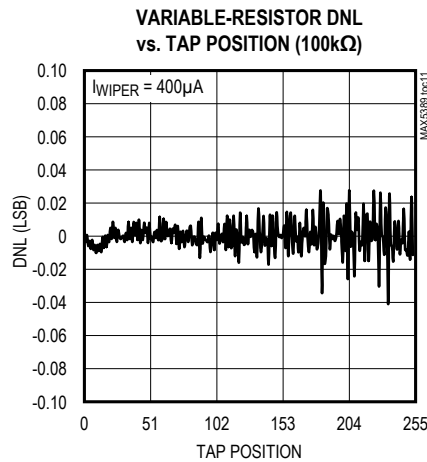
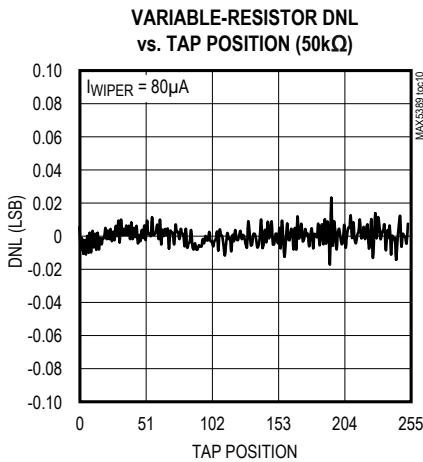
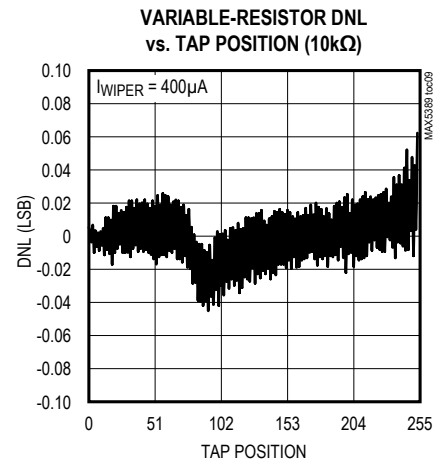
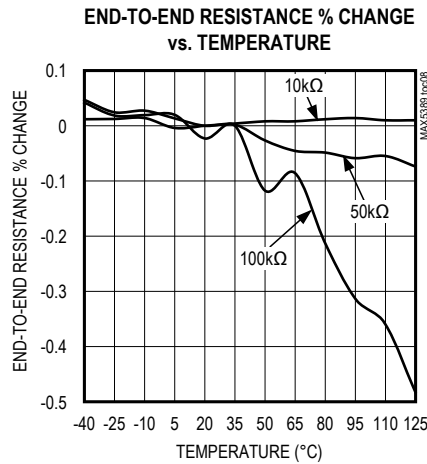
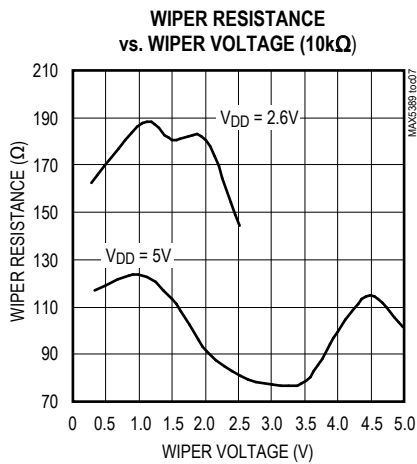
### Typical Operating Characteristics

( $V_{DD} = +5V$ ,  $T_A = +25^{\circ}C$ , unless otherwise noted.)



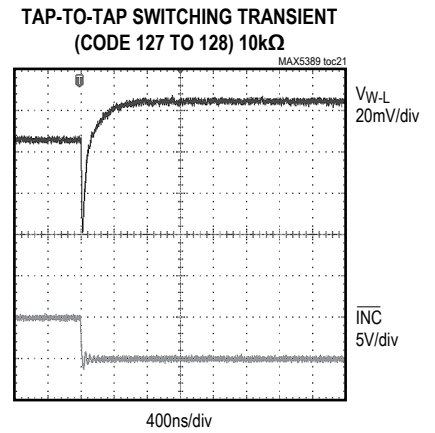
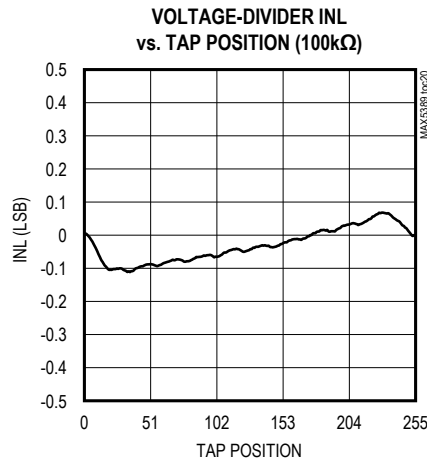
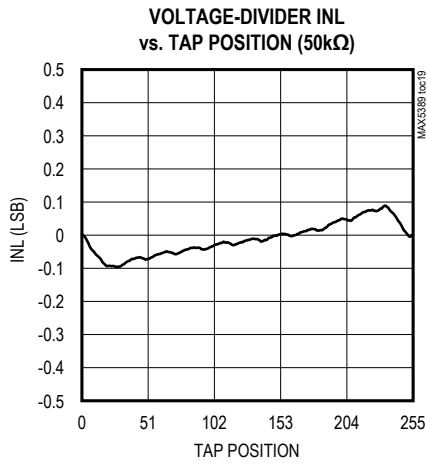
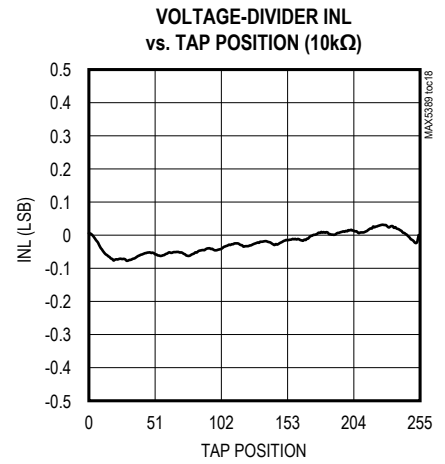
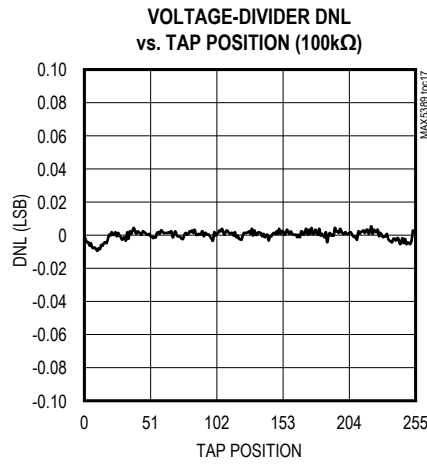
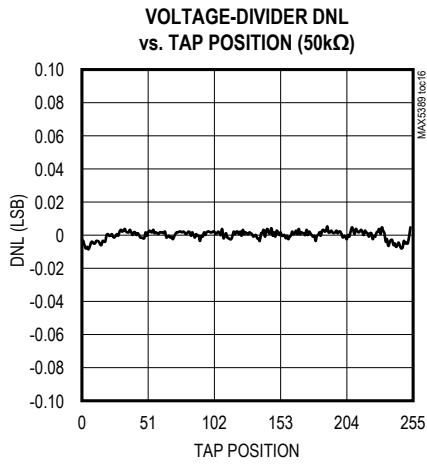
Typical Operating Characteristics (continued)

( $V_{DD} = +5V$ ,  $T_A = +25^\circ C$ , unless otherwise noted.)



Typical Operating Characteristics (continued)

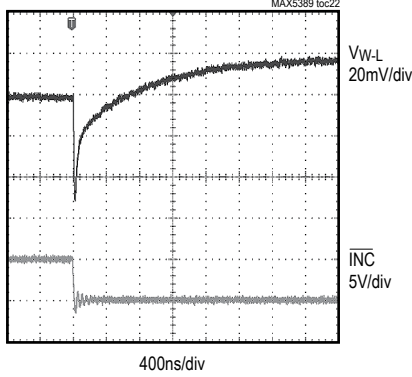
( $V_{DD} = +5V$ ,  $T_A = +25^\circ C$ , unless otherwise noted.)



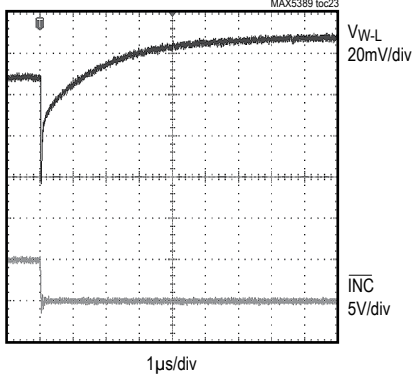
Typical Operating Characteristics (continued)

( $V_{DD} = +5V$ ,  $T_A = +25^\circ C$ , unless otherwise noted.)

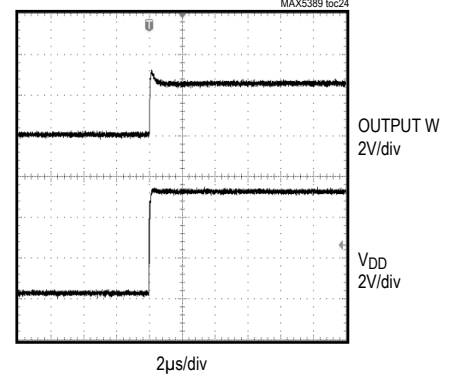
TAP-TO-TAP SWITCHING TRANSIENT (CODE 127 TO 128) 50kΩ



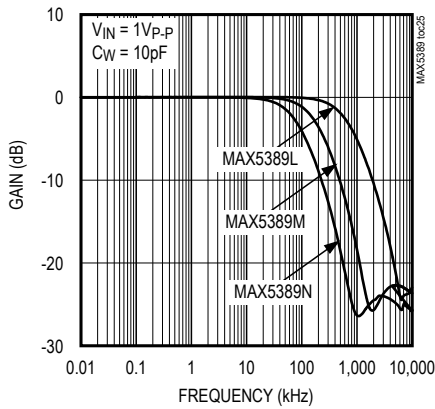
TAP-TO-TAP SWITCHING TRANSIENT (CODE 127 TO 128) 100kΩ



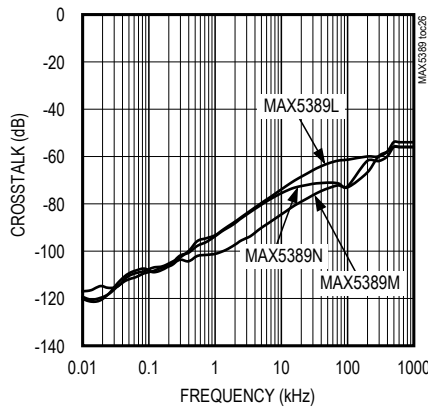
POWER-ON WIPER TRANSIENT (CODE 0 TO 128)



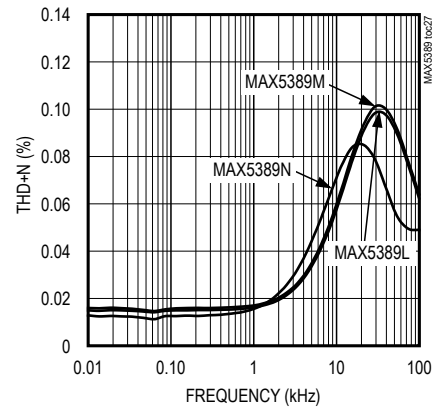
MIDSCALE FREQUENCY RESPONSE



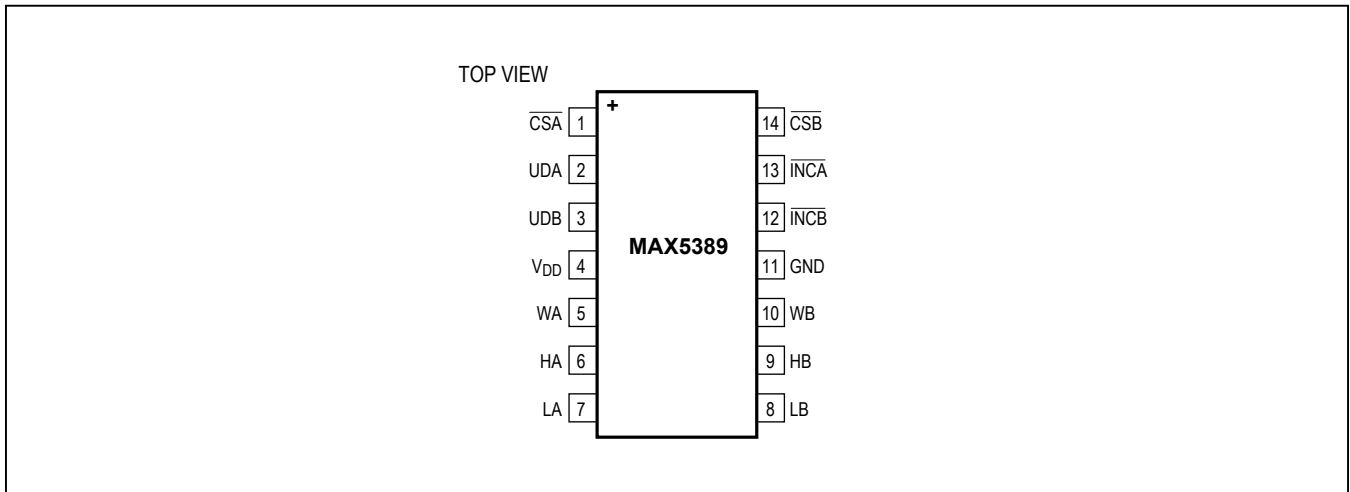
CROSSTALK vs. FREQUENCY



TOTAL HARMONIC DISTORTION PLUS NOISE vs. FREQUENCY



Pin Configuration



Pin Description

| PIN | NAME                     | FUNCTION  |
|-----|--------------------------|---|
| 1   | $\overline{\text{CSA}}$  | Active-Low Register A Chip-Select Input. Drive $\overline{\text{CSA}}$ low to change wiper position WA through $\overline{\text{INCA}}$ and UDA.  |
| 2   | UDA                      | Register A Up/Down Control Input. With UDA low, a high-to-low transition at $\overline{\text{INCA}}$ decrements the WA position towards LA. With UDA high, a high-to-low transition at $\overline{\text{INCA}}$ increments WA position toward HA.         |
| 3   | UDB                      | Register B Up/Down Control Input. With UDB low, a high-to-low transition at $\overline{\text{INCB}}$ decrements the WB position towards LB. With UDB high, a high-to-low transition at $\overline{\text{INCB}}$ increments WB position toward HB.         |
| 4   | $V_{\text{DD}}$          | Power-Supply Input. Bypass $V_{\text{DD}}$ to GND with a 0.1 $\mu\text{F}$ capacitor close to the device.   |
| 5   | WA                       | Resistor A Wiper Terminal   |
| 6   | HA                       | Resistor A High Terminal. The voltage at HA can be higher or lower than the voltage at LA. Current can flow into or out of HA.  |
| 7   | LA                       | Resistor A Low Terminal. The voltage at LA can be higher or lower than the voltage at HA. Current can flow into or out of LA.   |
| 8   | LB                       | Resistor B Low Terminal. The voltage at LB can be higher or lower than the voltage at HB. Current can flow into or out of LB.   |
| 9   | HB                       | Resistor B High Terminal. The voltage at HB can be higher or lower than the voltage at LB. Current can flow into or out of HB.  |
| 10  | WB                       | Resistor B Wiper Terminal   |
| 11  | GND                      | Ground  |
| 12  | $\overline{\text{INCB}}$ | Register B Wiper Increment Control Input. With UDB low, a high-to-low transition at $\overline{\text{INCB}}$ decrements the WB position towards LB. With UDB high, a high-to-low transition at $\overline{\text{INCB}}$ increments WB position toward HB. |
| 13  | $\overline{\text{INCA}}$ | Register A Wiper Increment Control Input. With UDA low, a high-to-low transition at $\overline{\text{INCA}}$ decrements the WA position towards LA. With UDA high, a high-to-low transition at $\overline{\text{INCA}}$ increments WA position toward HA. |
| 14  | $\overline{\text{CSB}}$  | Active-Low Register B Chip-Select Input. Drive $\overline{\text{CSB}}$ low to change wiper position WA through $\overline{\text{INCB}}$ and UDB.  |



**Detailed Description**

The MAX5389 dual, 256-tap, volatile, low-voltage linear taper digital potentiometer offers three end-to-end resistance values of 10kΩ, 50kΩ, and 100kΩ. The potentiometer consists of 255 fixed resistors in series between terminals H<sub>-</sub> and L<sub>-</sub>. The potentiometer wiper, W<sub>-</sub>, is programmable to access any one of the 256 tap points on the resistor string. On power-up, the wiper position is set to midscale (tap 128).

The potentiometers are programmable independent of each other. The MAX5389 features an up/down interface.

**Up/Down Interface**

Logic inputs  $\overline{CS}_-$ , UD<sub>-</sub>, and  $\overline{INC}_-$  determine the wiper position of the device (Table 1). With  $\overline{CS}_-$  low and UD<sub>-</sub> high, a high-to-low (falling edge) transition on  $\overline{INC}_-$  increments the internal counter which moves the wiper, W<sub>-</sub>, closer to H<sub>-</sub>. When both  $\overline{CS}_-$  and UD<sub>-</sub> are low, the falling edge of  $\overline{INC}_-$  decrements the internal counter and moves the tap point, W<sub>-</sub> closer to L<sub>-</sub> (Figure 2). The wiper per-

forms a make-before-break transition ensuring that W<sub>-</sub> is never disconnected from the resistor string during a transition from one tap point to another. When the wiper is at either end of the resistor array additional transitions in the direction of the end point do not change the counter value.

**Table 1. Up/Down Control Table**

| $\overline{CS}_-$ | UD <sub>-</sub> | $\overline{INC}_-$ | W <sub>-</sub> |
|-------------------|-----------------|--------------------|----------------|
| H                 | X               | X                  | No change      |
| L                 | L               | ↑                  | No change      |
| L                 | H               | ↑                  | No change      |
| L                 | L               | ↓                  | Decrement      |
| L                 | H               | ↓                  | Increment      |

X = Don't care.  
 ↑ = Low-to-high transition.  
 ↓ = High-to-low transition.

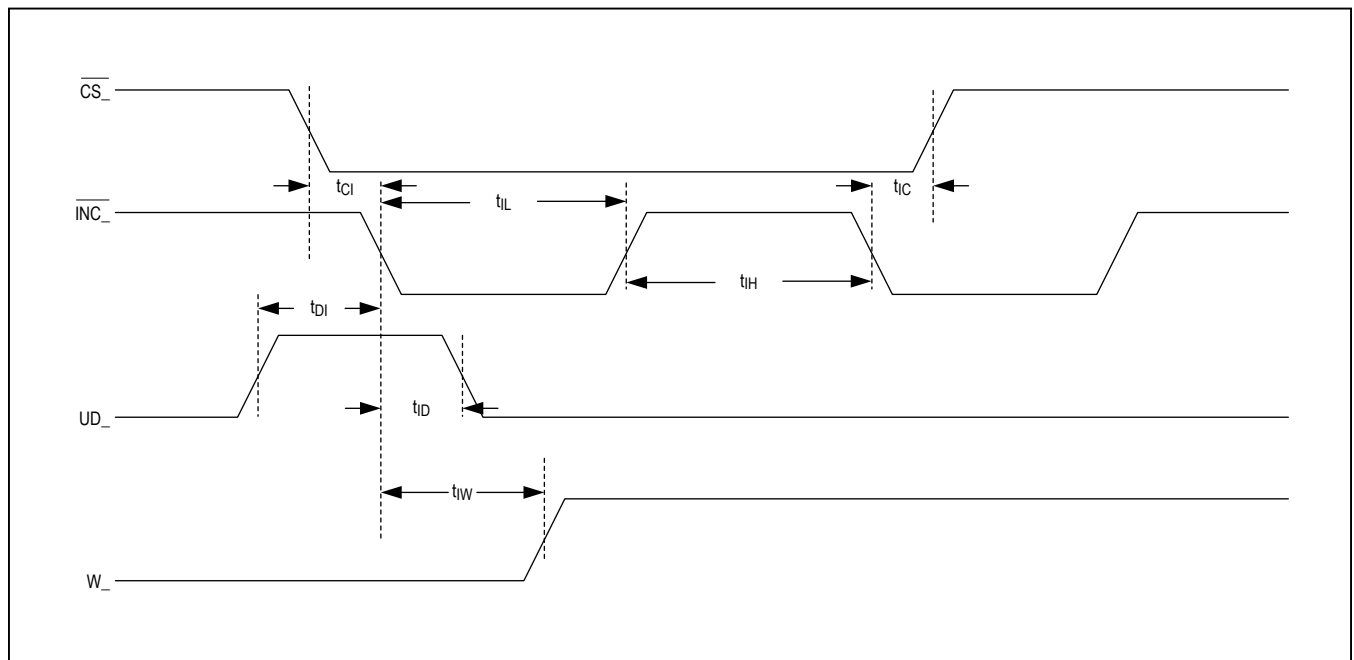


Figure 2. Up/Down Interface Timing Diagram

**Applications Information**

**Variable Gain Amplifier**

Figure 3 shows a potentiometer adjusting the gain of a noninverting amplifier. Figure 4 shows a potentiometer adjusting the gain of an inverting amplifier.

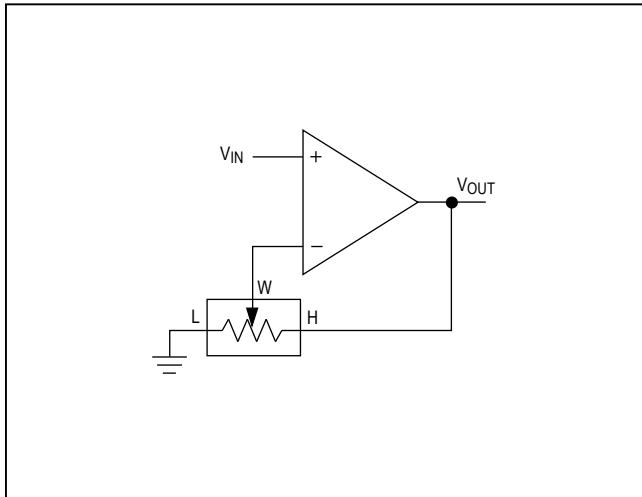


Figure 3. Variable Gain Noninverting Amplifier

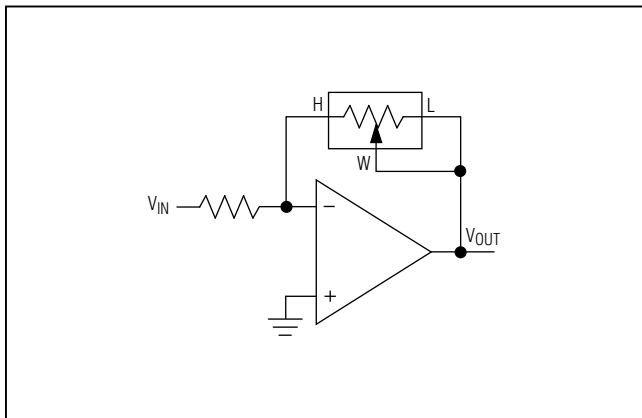


Figure 4. Variable Gain Inverting Amplifier

**Adjustable Dual Linear Regulator**

Figure 5 shows an adjustable dual linear regulator using a dual potentiometer as two variable resistors.

**Adjustable Voltage Reference**

Figure 6 shows an adjustable voltage reference circuit using a potentiometer as a voltage-divider.

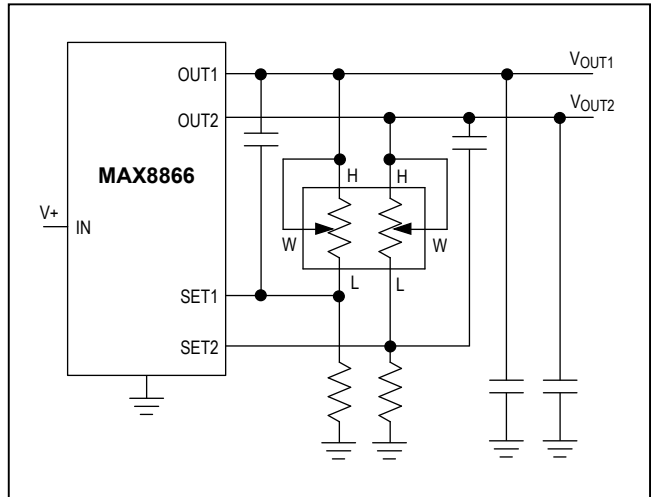


Figure 5. Adjustable Dual Linear Regulator

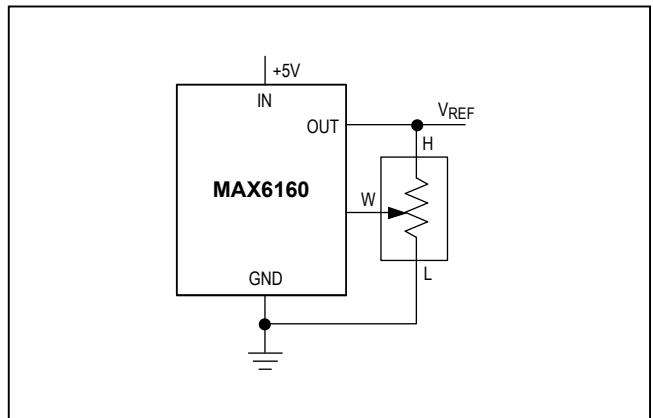


Figure 6. Adjustable Voltage Reference

**Variable Gain Current to Voltage Converter**

Figure 7 shows a variable gain current to voltage converter using a potentiometer as a variable resistor.

**LCD Bias Control**

Figure 8 shows a positive LCD bias control circuit using a potentiometer as a voltage-divider.

Figure 9 shows a positive LCD bias control circuit using a potentiometer as a variable resistor

**Programmable Filter**

Figure 10 shows a programmable filter using a dual potentiometer.

**Offset Voltage Adjustment Circuit**

Figure 11 shows an offset voltage adjustment circuit using a dual potentiometer

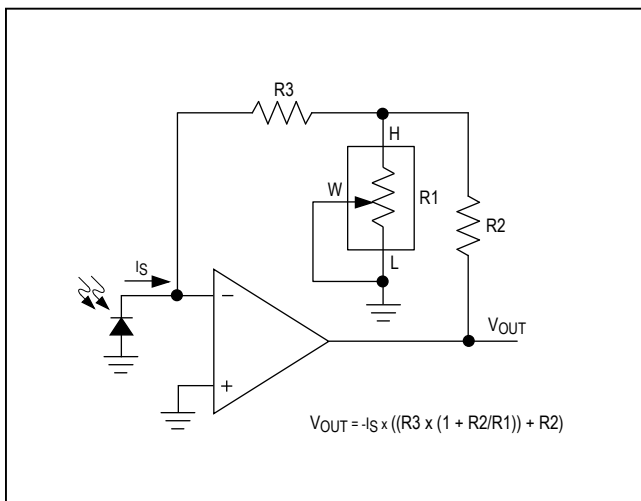


Figure 7. Variable Gain I-to-V Converter

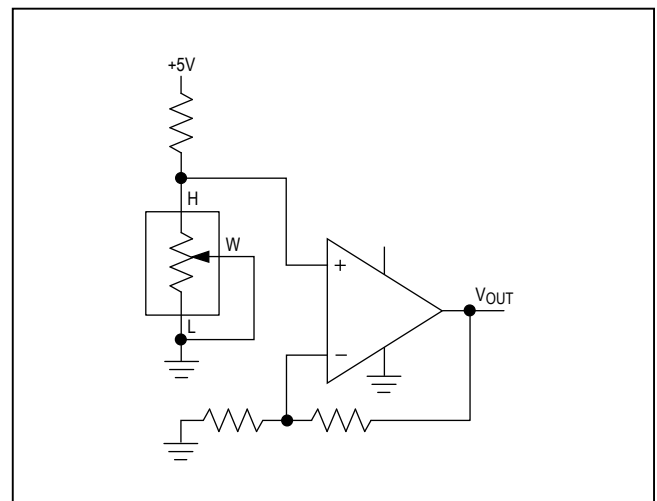


Figure 9. Positive LCD Bias Control Using a Variable Resistor

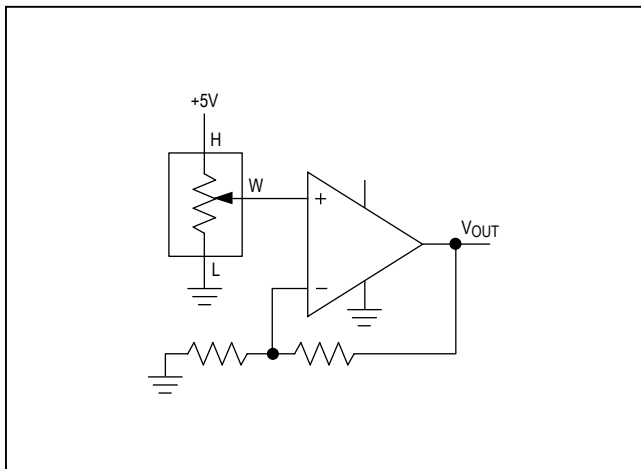


Figure 8. Positive LCD Bias Control Using a Voltage-Divide

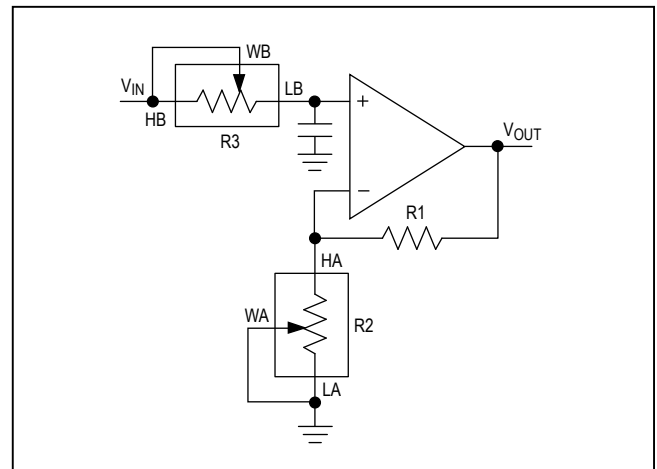


Figure 10. Programmable Filter

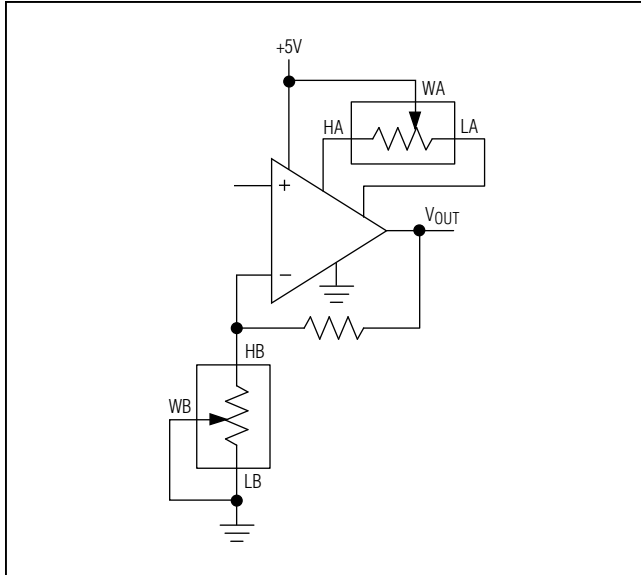


Figure 11. Offset Voltage Adjustment Circuit

### Process Information

PROCESS: BiCMOS

### Package Information

For the latest package outline information and land patterns (footprints), go to [www.maximintegrated.com/packages](http://www.maximintegrated.com/packages). Note that a "+", "#", or "-" in the package code indicates RoHS status only. Package drawings may show a different suffix character, but the drawing pertains to the package regardless of RoHS status.

| PACKAGE TYPE | PACKAGE CODE | OUTLINE NO.             | LAND PATTERN NO.        |
|--------------|--------------|-------------------------|-------------------------|
| 14 TSSOP     | U14+1        | <a href="#">21-0066</a> | <a href="#">90-0113</a> |