



Complete 230kbps, 2.7V to 5.25V Serial Interface for Notebook Computers

MAX562

General Description

The MAX562 is designed specifically for notebook and palmtop computers that need to transfer data quickly. It runs at data rates up to 230kbps, and has a guaranteed 4V/μs slew rate. This device meets the new EIA/TIA-562 standard that guarantees compatibility with RS-232 interfaces.

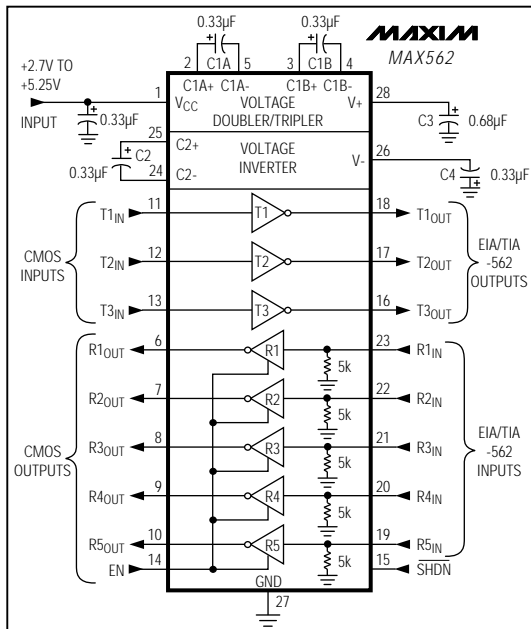
The MAX562 has low-power shutdown and keep-awake modes. In keep-awake mode, the transmitters are disabled but all receivers are active, allowing unidirectional communication. In shutdown mode, the entire chip is disabled and all outputs are in a high-impedance state.

The MAX562 is available in a standard 28-pin SO package, and in a smaller footprint shrink small-outline package (SSOP).

Applications

- Palmtop, Notebook, and Subnotebook Computers
- Peripherals
- Battery-Powered Equipment

Typical Operating Circuit



TM LapLink is a registered trademark of Traveling Software, Inc.

Features

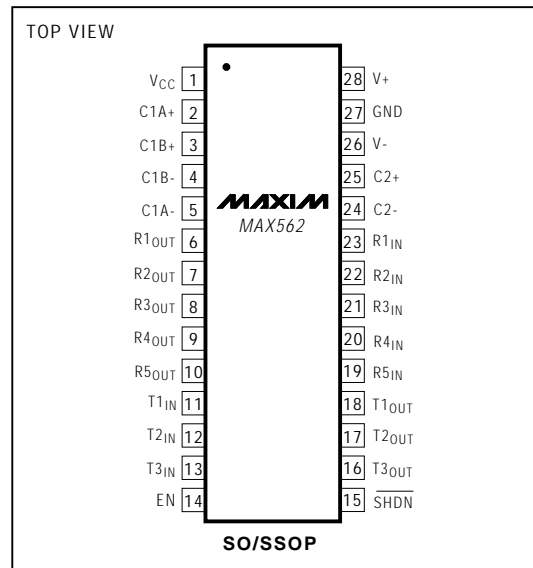
- ♦ 230kbps Data Rate, LapLink™ Compatible
- ♦ Operates from a 2.7V to 5.25V Supply
- ♦ Designed for EIA/TIA-562 and EIA/TIA-232 Applications
- ♦ Guaranteed 4.0V/μs Slew Rate
- ♦ 3 Drivers, 5 Receivers
- ♦ Flow Through Pinout
- ♦ Low-Power Shutdown and Keep-Awake Modes
- ♦ Low-Cost, Surface-Mount External Capacitors

Ordering Information

| PART | TEMP. RANGE | PIN-PACKAGE |
|-----------|----------------|-------------|
| MAX562CWI | 0°C to +70°C | 28 SO |
| MAX562CAI | 0°C to +70°C | 28 SSOP |
| MAX562C/D | 0°C to +70°C | Dice* |
| MAX562EWI | -40°C to +85°C | 28 SO |
| MAX562EAI | -40°C to +85°C | 28 SSOP |

* Contact factory for dice specifications.

Pin Configuration



Complete 230kbps, 2.7V to 5.25V Serial Interface for Notebook Computers

ABSOLUTE MAXIMUM RATINGS

| | | | |
|----------------------------------|-----------------------------------|---|-----------------|
| V _{CC} | -0.3V to +6V | Short-Circuit Duration | |
| V ₊ | (V _{CC} - 0.3V) to +6V | T _{OUT} to GND | Continuous |
| V ₋ | +0.3V to -6V | R _{OUT} to GND, V _{CC} | Continuous |
| C1A+, C1B+ | -6V to (V ₊ + 0.3V) | Continuous Power Dissipation (T _A = +70°C) | |
| C1A-, C1B-, C2+ | -0.3V to (V ₊ + 0.3V) | SO (derate 12.50mW/°C above +70°C) | 1000mW |
| C2- | (V ₋ - 0.3V) to +6V | SSOP (derate 9.52mW/°C above +70°C) | 762mW |
| Input Voltages | | Operating Temperature Ranges: | |
| T _{IN} , EN, SHDN | -0.3V to (V _{CC} + 0.3V) | MAX562C_ _ | 0°C to +70°C |
| R _{IN} | ±25V | MAX562E_ _ | -40°C to +85°C |
| Output Voltages | | Storage Temperature Range | -65°C to +160°C |
| T _{OUT} | ±15V | Lead Temperature (soldering, 10sec) | +300°C |
| R _{OUT} | -0.3V to (V _{CC} + 0.3V) | | |

Stresses beyond those listed under "Absolute Maximum Ratings" may cause permanent damage to the device. These are stress ratings only, and functional operation of the device at these or any other conditions beyond those indicated in the operational sections of the specifications is not implied. Exposure to absolute maximum rating conditions for extended periods may affect device reliability.

ELECTRICAL CHARACTERISTICS

(V_{CC} = 2.7V to 5.25V, C1A = C1B = C2 = C4 = 0.33μF, C3 = 0.68μF, T_A = T_{MIN} to T_{MAX}, unless otherwise noted.)

| PARAMETER | CONDITIONS | MIN | TYP | MAX | UNITS |
|---|--|----------------------------------|------|------|-------|
| EIA/TIA-562 TRANSMITTERS | | | | | |
| Output Voltage Swing | All transmitter outputs loaded with 3kΩ to GND | ±3.7 | ±4.5 | ±6.0 | V |
| Input Logic Threshold Low | T _{IN} , EN, SHDN | V _{CC} = 2.7V to 3.6V | | 0.6 | V |
| | | V _{CC} = 5.0V +5%, -10% | | 0.8 | |
| Input Logic Threshold High | T _{IN} , EN, SHDN | V _{CC} = 2.7V to 3.6V | 1.8 | | V |
| | | V _{CC} = 5.0V +5%, -10% | 3.0 | | |
| Output Leakage Current | | | | ±10 | μA |
| Output Resistance | V _{CC} = V ₊ = V ₋ = 0V, V _{OUT} = ±2V | 300 | | | Ω |
| Output Short-Circuit Current | V _{OUT} = 0V | | | ±60 | mA |
| EIA/TIA-562 RECEIVERS | | | | | |
| Input Voltage Operating Range | | | | ±25 | V |
| Input Threshold Low | | 0.8 | | | V |
| Input Threshold High | | | | 2.4 | V |
| Input Hysteresis | No hysteresis when SHDN = 0V | | 0.3 | | V |
| Input Resistance | -15V < V _{IN} < 15V | 3 | 5 | 7 | kΩ |
| Output Voltage Low | I _{OUT} = 1.6mA | | | 0.4 | V |
| Output Voltage High | I _{OUT} = -1.0mA | V _{CC} - 0.5 | | | V |
| Output Leakage Current | EN = GND, 0V ≤ R _{OUT} ≤ V _{CC} | | 0.05 | ±10 | μA |
| POWER SUPPLY | | | | | |
| Operating Supply Voltage | | 2.7 | | 5.25 | V |
| V _{CC} Power-Supply Current | V _{CC} = 3.3V | No load | 20 | 33 | mA |
| | | All outputs loaded 3kΩ | 24 | | |
| Shutdown Supply Current with Receivers Active | EN = V _{CC} , SHDN = GND, T _A = +25°C | | 45 | 130 | μA |
| Shutdown Supply Current | SHDN = EN = GND, T _A = +25°C | | 1 | 50 | μA |

Complete 230kbps, 2.7V to 5.25V Serial Interface for Notebook Computers

MAX562

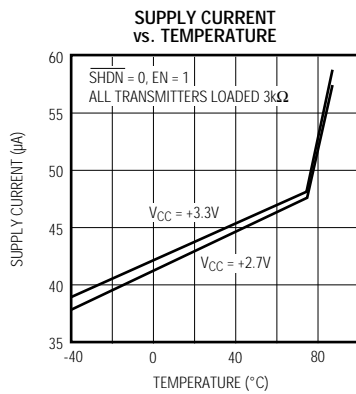
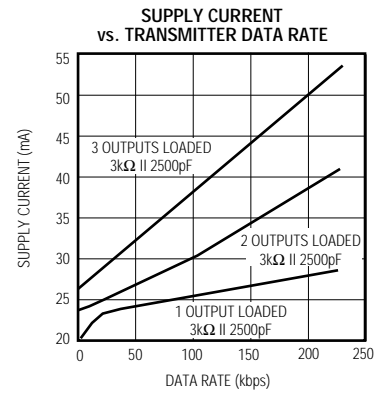
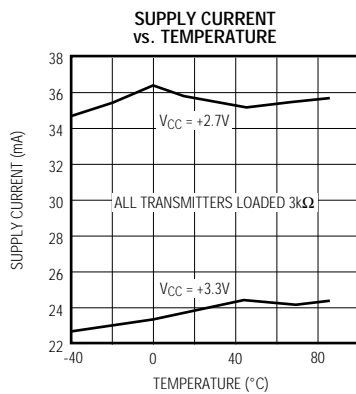
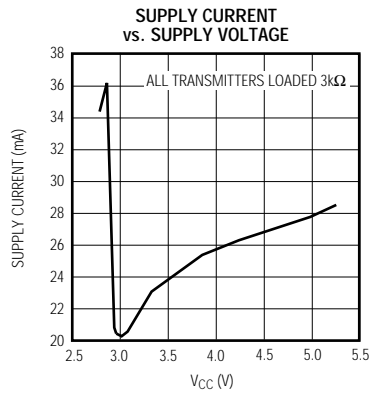
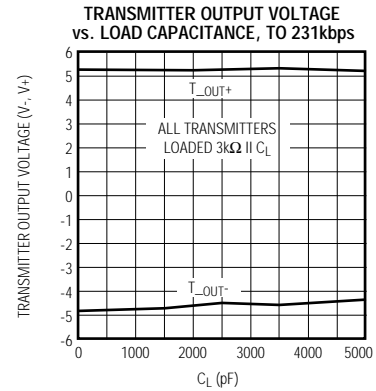
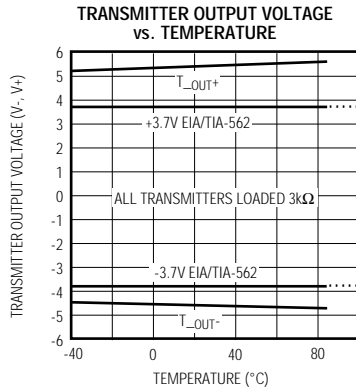
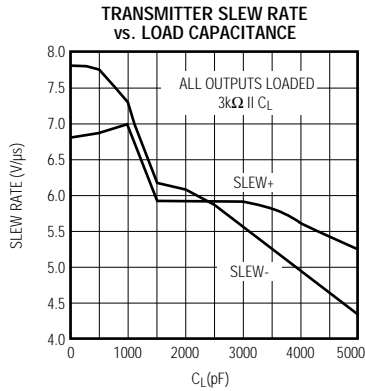
AC CHARACTERISTICS

| PARAMETER | CONDITIONS | MIN | TYP | MAX | UNITS |
|---|---|-------------------------|-------|-----------|-----------|
| Data Rate | 1000pF 3kΩ load each transmitter output, 150pF load each receiver output | 230.4 | 280.0 | | kbits/sec |
| Transmitter Slew Rate | C _L = 50pF to 2500pF, R _L = 3kΩ to 7kΩ. Measured from +3V to -3V, or -3V to +3V | 4 | 6 | 30 | V/μs |
| Transmitter Rise/Fall Time | R _L = 3kΩ measured from +3.3V to -3.3V or -3.3V to +3.3V | C _L = 2500pF | | 3.1 | μs |
| | | C _L = 1000pF | | 2.1 | |
| Transmitter Propagation Delay | 2500pF 3kΩ load, Figure 1 | t _{PHLT} | | 900 1700 | ns |
| | | t _{PLHT} | | 1000 1700 | |
| Transmitter-Output Enable Time | | t _{ET} | | 100 | μs |
| Transmitter-Output Disable Time | Figure 3 | t _{DT} | | 600 | ns |
| Receiver Propagation Delay, Normal Operation | C _L = 150pF, SHDN = VCC Figure 2 | t _{PHLR} | | 100 250 | ns |
| | | t _{PLHR} | | 250 500 | |
| Receiver Propagation Delay, Keep-Awake Mode | C _L = 150pF, SHDN = GND Figure 2 | t _{PHLS} | | 3000 4000 | ns |
| | | t _{PLHS} | | 2000 3000 | |
| Receiver-Output Enable Time | Figure 4 | t _{ER} | | 100 250 | ns |
| Receiver-Output Disable Time | Figure 4 | t _{DR} | | 250 500 | ns |

Complete 230kbps, 2.7V to 5.25V Serial Interface for Notebook Computers

Typical Operating Characteristics

($V_{CC} = 3.3V$, $C1A = C1B = C2 = C4 = 0.33\mu F$, $C3 = 0.68\mu F$, $T_A = +25^\circ C$, unless otherwise noted.)



Complete 230kbps, 2.7V to 5.25V Serial Interface for Notebook Computers

Pin Description

MAX562

| PIN | NAME | FUNCTION |
|--------------------|--------------------------|---|
| 28 | V+ | Positive charge-pump output, typically 5.8V |
| 2, 5 | C1A+, C1A- | Terminals for positive charge-pump capacitor |
| 3, 4 | C1B+, C1B- | Terminals for positive charge-pump capacitor |
| 6, 7, 8, 9, 10 | R_OUT | TTL/CMOS Receiver Outputs. |
| 11, 12, 13 | T_IN | TTL/CMOS Driver Inputs |
| 14 | EN | Receiver Enable, see <i>Shutdown and Enable Control</i> section. |
| 15 | $\overline{\text{SHDN}}$ | Shutdown Control, see <i>Shutdown and Enable Control</i> section. |
| 16, 17, 18 | T_OUT | EIA/TIA-562 Driver Outputs |
| 19, 20, 21, 22, 23 | R_IN | EIA/TIA-562 Receiver Inputs |
| 24, 25 | C2+, C2- | Terminals for negative charge-pump capacitor |
| 26 | V- | Negative charge-pump output, typically -5.2V |
| 27 | GND | Ground |
| 1 | V _{CC} | +2.7V to +5.25V Supply Voltage |

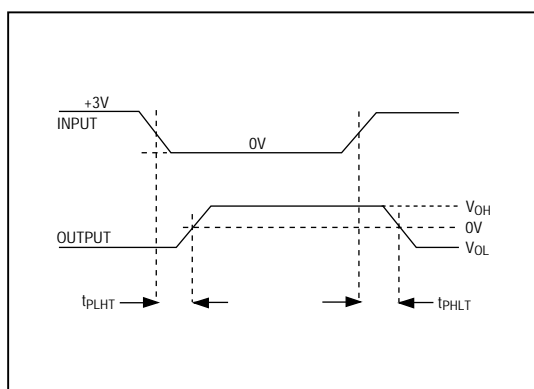


Figure 1. Transmitter Propagation Delay Timing

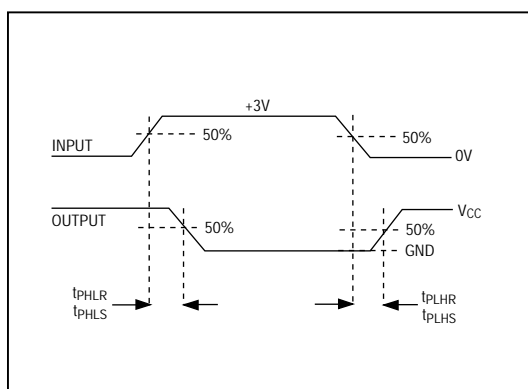


Figure 2. Receiver Propagation Delay Timing

Complete 230kbps, 2.7V to 5.25V Serial Interface for Notebook Computers

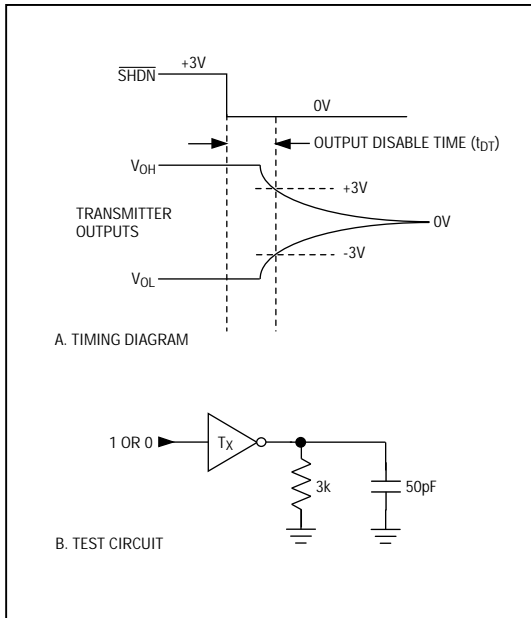


Figure 3. Transmitter-Output Disable Timing

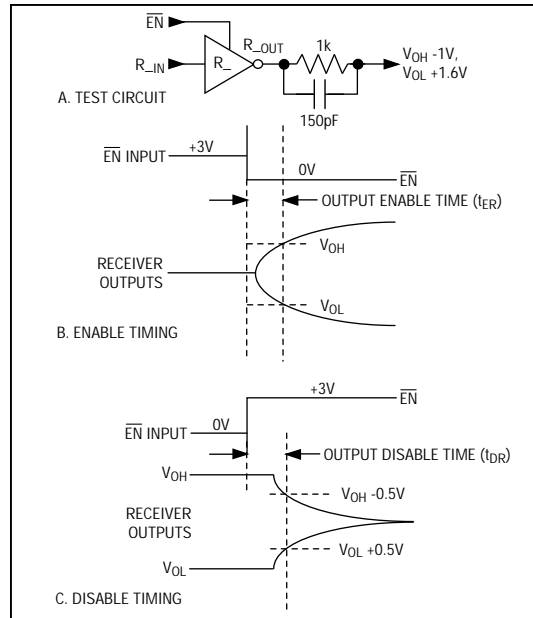


Figure 4. Receiver-Output Enable and Disable Timing

Detailed Description

The MAX562 has three sections: the charge-pump voltage converter, the drivers (transmitters), and the receivers.

Charge-Pump Voltage Converter

The charge-pump voltage converter is used to produce a positive and a negative supply to drive the transmitters. The positive voltage (V_+) is generated by a regulated charge pump working as either a doubler or a tripler (depending on the V_{CC} level) and using capacitors C1A, C1B and C3 (see *Typical Operating Circuit*). The negative voltage (V_-) derives from V_+ using a simple charge-pump inverter that employs capacitors C2 and C4.

These charge-pump converters are regulated to give output voltages of +5.8V and -5.2V. Having regulated supplies generated on-chip makes the MAX562's performance insensitive to variations in V_{CC} from 2.7V to 5.25V, transmitter loading changes, and operating temperature changes.

When **SHDN** is low, the charge pumps are disabled, V_+ is internally connected to V_{CC} , and V_- is internally connected to GND.

EIA/TIA-562 Drivers

The driver output voltage is guaranteed to meet the $\pm 3.7V$ EIA/TIA-562 specification over the full range of operating temperatures and voltages, when each transmitter is loaded with up to $3k\Omega$ and operated up to 230kbps (see *Typical Operating Characteristics*). The typical driver output voltage swing exceeds $\pm 4V$ with a $3k\Omega$ load on all transmitter outputs. The open-circuit output voltage swing is typically from ($V_+ - 0.7V$) to ($V_- + 0.7V$). Output swing is not significantly dependent on V_{CC} since the charge pumps are regulated.

Input thresholds are CMOS and TTL compatible. Connect unused inputs to V_{CC} or to GND.

When **SHDN** is low, the driver outputs are off and their leakage currents are less than $10\mu A$, even if the transmitter outputs are back-driven between -7V and +15V. Taking **SHDN** low does not disable the receivers.

When **SHDN** and **EN** are both low, the entire chip is disabled and all outputs are high impedance. Power consumption is lowest in this condition. Exiting shutdown takes about $100\mu s$, but depends on V_{CC} . Figure 5 shows

Complete 230kbps, 2.7V to 5.25V Serial Interface for Notebook Computers

MAX562

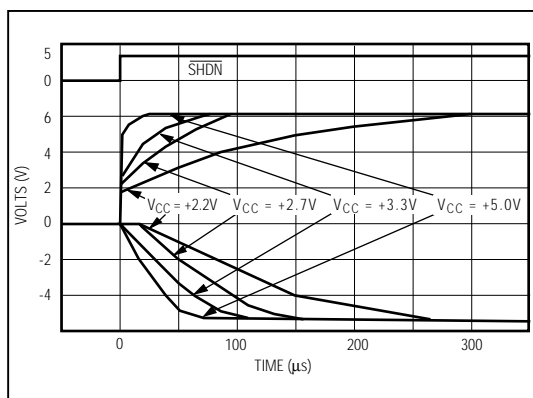


Figure 5. Time for Transmitters to Exit Shutdown

the MAX562 transmitter outputs when $\overline{\text{SHDN}}$ rises. Two transmitter outputs are shown going to opposite EIA/TIA-562 levels (one transmitter input is high, the other is low). Each transmitter is loaded with $3\text{k}\Omega$ in parallel with 2500pF . The transmitter outputs are well behaved, with no ringing or undesirable transients as they come out of shutdown.

Driving Multiple Receivers

Each transmitter is designed to drive a single receiver. Transmitters can be paralleled to drive multiple receivers.

EIA/TIA-562 Receivers

All 5 receivers are identical and accept EIA/TIA-562 or EIA/TIA-232 signals. The CMOS receiver outputs swing between V_{CC} and GND. They are inverting, maintaining compatibility with the driver outputs.

The guaranteed 0.8V and 2.4V receiver input thresholds are significantly tighter than the $\pm 3.0\text{V}$ thresholds required by the EIA/TIA-562 specification. This allows the receiver inputs to respond to TTL/CMOS logic levels as well as EIA/TIA-562/232 levels. Also, the MAX562's guaranteed 0.8V lower threshold ensures that receivers shorted to ground will have a logic 1 output. The $5\text{k}\Omega$ input resistance to ground ensures that a receiver with its input left open will also have a logic 1 output.

The receiver inputs have approximately 0.3V hysteresis when $\overline{\text{SHDN}}$ is high. This provides clean output transitions, even with slowly moving input signals with moderate noise and ringing.

The receivers are active when EN is high. When EN is low, the receiver outputs are high impedance. This allows wire-OR connection of two EIA/TIA-562 ports (or ports of different types) at the UART.

The receivers are always active when EN is high, irrespective of $\overline{\text{SHDN}}$'s state. When $\overline{\text{SHDN}}$ is high, the receivers have hysteresis and experience the shortest propagation delays (typically 100ns falling, 250ns rising). When $\overline{\text{SHDN}}$ is low, the receivers have longer propagation delays (typically $3\mu\text{s}$ falling, $2\mu\text{s}$ rising) and have no hysteresis. The receiver outputs are not valid for $50\mu\text{s}$ after $\overline{\text{SHDN}}$ goes low.

Shutdown and Enable Control

$\overline{\text{SHDN}}$ and EN determine the operation of the MAX562 as shown in Table 1.

Applications Information

Capacitor Selection

The capacitor type is not critical for proper MAX562 operation. Any low cost ceramic capacitor (e.g., Z5U, Y5V) is acceptable for operating at room temperature,

Table 1. MAX562 Control Pin Configurations

| $\overline{\text{SHDN}}$ | EN | CHARGE-PUMP OPERATION STATUS | TRANSMITTERS T1-T3 | RECEIVERS R1-R5 | SUPPLY CURRENT TYP (A) |
|--------------------------|----|------------------------------|--------------------|-----------------|------------------------|
| 0 | 0 | Shutdown | High-Z | High-Z | 1μ |
| 0 | 1 | Shutdown | High-Z | Active* | 45μ |
| 1 | 0 | Normal Operation | Active | High-Z | 24m |
| 1 | 1 | Normal Operation | Active | Active | 24m |

* Active, but with reduced performance (see EIA/TIA-562 Receivers section). This is "keep-awake" mode.