

MAX7325

I²C Port Expander with 8 Push-Pull and 8 Open-Drain I/Os

General Description

The MAX7325 2-wire serial-interfaced peripheral features 16 I/O ports. Ports are divided into eight push-pull outputs and eight I/Os with selectable internal pullups and transition detection. Eight ports are push-pull outputs and eight I/Os may be used as a logic input or an open-drain output. Ports are overvoltage protected to +6V.

All I/O ports configured as inputs are continuously monitored for state changes (transition detection). State changes are indicated by the $\overline{\text{INT}}$ output. The interrupt is latched, allowing detection of transient changes. When the MAX7325 is subsequently accessed through the serial interface, any pending interrupt is cleared. The open-drain outputs are rated to sink 20mA, and are capable of driving LEDs. The $\overline{\text{RST}}$ input clears the serial interface, terminating any I²C communication to or from the MAX7325.

The MAX7325 uses two address inputs with four-level logic to allow 16 I²C slave addresses. The slave address also determines the power-up logic state for the I/O ports, and enables or disables internal 40k Ω pullups in groups of four ports.

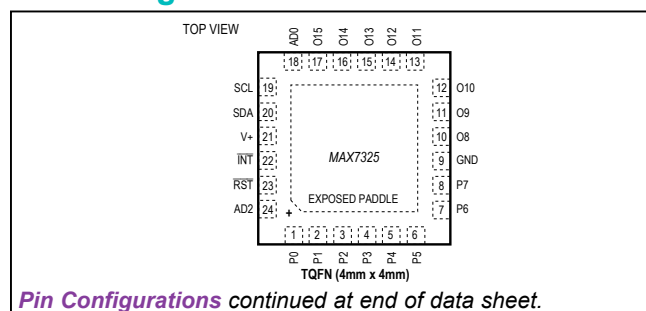
The MAX7325 is one device in a family of pin-compatible port expanders with a choice of input ports, open-drain I/O ports, and push-pull output ports (see [Table 1](#)).

The MAX7325 is available in 24-pin QSOP and TQFN packages and is specified over the -40°C to +125°C automotive temperature range.

Applications

- Cell Phones
- SAN/NAS
- Servers
- Notebooks
- Satellite Radio
- Automotive

Pin Configurations



Benefits and Features

- 400kHz I²C Serial Interface
- +1.71V to +5.5V Operation
- 8 Push-Pull Outputs
- 8 Open-Drain I/O Ports, Rated to 20mA Sink Current
- I/O Ports are Overvoltage Protected to +6V
- Selectable I/O Port Power-Up Default Logic States
- Transient Changes are Latched, Allowing Detection Between Read Operations
- $\overline{\text{INT}}$ Output Alerts Change on Inputs
- AD0 and AD2 Inputs Select from 16 Slave Addresses
- Low 0.6 μ A (typ) Standby Current
- -40°C to +125°C Temperature Range

Ordering Information

PART	TEMP RANGE	PIN-PACKAGE
MAX7325AEG+	-40°C to +125°C	24 QSOP
MAX7325AEG/V+	-40°C to +125°C	24 QSOP
MAX7325ATG+	-40°C to +125°C	24 TQFN-EP* (4mm x 4mm)

+Denotes a lead(Pb)-free/RoHS-compliant package.

*EP = Exposed paddle.

/V Denotes an automotive qualified part.

Selector Guide

PART	INPUTS	INTERRUPT MASK	OPEN-DRAIN OUTPUTS	PUSH-PULL OUTPUTS
MAX7324	8	Yes	—	8
MAX7325	Up to 8	—	Up to 8	8
MAX7326	4	Yes	—	12
MAX7327	Up to 4	—	Up to 4	12

Typical Application Circuit and Functional Diagram appear at end of data sheet.

Absolute Maximum Ratings

(All voltages referenced to GND.)

Supply Voltage V+	-0.3V to +6V	Total GND Current	100mA
SCL, SDA, AD0, AD2, \overline{RST} , \overline{INT} , P0–P7	-0.3V to +6V	Continuous Power Dissipation (T _A = +70°C)	
O8–O15	-0.3V to (V+ + 0.3V)	24-Pin QSOP (derate 9.5mW/°C over +70°C)	761.9mW
O8–O15 Output Current	±25mA	24-Pin TQFN (derate 20.8mW/°C over+70°C)	1666.7mW
P0–P7 Sink Current	25mA	Operating Temperature Range	-40°C to +125°C
SDA Sink Current	10mA	Junction Temperature	+150°C
\overline{INT} Sink Current	10mA	Storage Temperature Range	-65°C to +150°C
Total V+ Current	50mA	Lead Temperature (soldering, 10s)	+300°C
		Soldering Temperature (reflow)	+260°C

Stresses beyond those listed under "Absolute Maximum Ratings" may cause permanent damage to the device. These are stress ratings only, and functional operation of the device at these or any other conditions beyond those indicated in the operational sections of the specifications is not implied. Exposure to absolute maximum rating conditions for extended periods may affect device reliability.

DC Electrical Characteristics

(V+ = +1.71V to +5.5V, T_A = -40°C to +125°C, unless otherwise noted. Typical values are at V+ = +3.3V, T_A = +25°C.) (Note 1)

PARAMETER	SYMBOL	CONDITIONS	MIN	TYP	MAX	UNITS
Operating Supply Voltage	V+	T _A = -40°C to +125°C	1.71		5.50	V
Power-On-Reset Voltage	V _{POR}	V+ falling			1.6	V
Standby Current (Interface Idle)	I _{STB}	SCL and SDA and other digital inputs at V+ T _A = -40°C to +125°C		0.6	1.9	µA
Supply Current (Interface Running)	I+	f _{SCL} = 400kHz; other digital inputs at V+ T _A = -40°C to +125°C		23	55	µA
Input High-Voltage SDA, SCL, AD0, AD2, \overline{RST} , P0–P7	V _{IH}	V+ < 1.8V V+ ≥ 1.8V	0.8 x V+			V
Input Low-Voltage SDA, SCL, AD0, AD2, \overline{RST} , P0–P7	V _{IL}	V+ < 1.8V V+ ≥ 1.8V			0.2 x V+ 0.3 x V+	V
Input Leakage Current SDA, SCL, AD0, AD2, \overline{RST} , P0–P7	I _{IH} , I _{IL}	SDA, SCL, AD0, AD2, \overline{RST} , P0–P7 at V+ or GND, internal pullup disabled	-0.2		+0.2	µA
Input Capacitance SDA, SCL, AD0, AD2, \overline{RST} , P0–P7				10		pF
Output Low Voltage O8–O15, P0–P7	V _{OL}	V+ = +1.71V, I _{SINK} = 5mA (QSOP)		90	180	mV
		V+ = +1.71V, I _{SINK} = 5mA (TQFN)		90	230	
		V+ = +2.5V, I _{SINK} = 10mA (QSOP)		110	210	
		V+ = +2.5V, I _{SINK} = 10mA (TQFN)		110	260	
		V+ = +3.3V, I _{SINK} = 15mA (QSOP)		130	230	
		V+ = +3.3V, I _{SINK} = 15mA (TQFN)		130	280	
		V+ = +5V, I _{SINK} = 20mA (QSOP)		140	250	
		V+ = +5V, I _{SINK} = 20mA (TQFN)		140	300	
		V+ = +1.71V, I _{SOURCE} = 2mA	V+ - 250	V+ - 30		
Output High Voltage O8–O15	V _{OH}	V+ = +2.5V, I _{SOURCE} = 5mA	V+ - 360	V+ - 70	mV	
		V+ = +3.3V, I _{SOURCE} = 5mA	V+ - 260	V+ - 100		
		V+ = +5V, I _{SOURCE} = 10mA	V+ - 360	V+ - 120		
		I _{SINK} = 6mA		250		
Output Low-Voltage SDA	V _{OLSDA}	I _{SINK} = 5mA		130	250	mV
Output Low-Voltage \overline{INT}	V _{OLINT}		25	40	55	mV
Port Input Pullup Resistor	R _{PU}					kΩ

Port and Interrupt $\overline{\text{INT}}$ Timing Characteristics

(V+ = +1.71V to +5.5V, T_A = -40°C to +125°C, unless otherwise noted. Typical values are at V+ = +3.3V, T_A = +25°C.) (Note 1)

PARAMETER	SYMBOL	CONDITIONS	MIN	TYP	MAX	UNITS
Port Output Data Valid	t _{PPV}	C _L ≤ 100pF			4	μs
Port Input Setup Time	t _{PSU}	C _L ≤ 100pF	0			μs
Port Input Hold Time	t _{PH}	C _L ≤ 100pF	4			μs
$\overline{\text{INT}}$ Input Data Valid Time	t _{IV}	C _L ≤ 100pF			4	μs
$\overline{\text{INT}}$ Reset Delay Time from STOP	t _{IP}	C _L ≤ 100pF			4	μs
$\overline{\text{INT}}$ Reset Delay Time from Acknowledge	t _{IR}	C _L ≤ 100pF			4	μs

Timing Characteristics

(V+ = +1.71V to +5.5V, T_A = -40°C to +125°C, unless otherwise noted. Typical values are at V+ = +3.3V, T_A = +25°C.) (Note 1)

PARAMETER	SYMBOL	CONDITIONS	MIN	TYP	MAX	UNITS
Serial-Clock Frequency	f _{SCL}				400	kHz
Bus Free Time Between a STOP and a START Condition	t _{BUF}		1.3			μs
Hold Time (Repeated) START Condition	t _{HD, STA}		0.6			μs
Repeated START Condition Setup Time	t _{SU, STA}		0.6			μs
STOP Condition Setup Time	t _{SU, STO}		0.6			μs
Data Hold Time	t _{HD, DAT}	(Note 2)			0.9	μs
Data Setup Time	t _{SU, DAT}		100			ns
SCL Clock Low Period	t _{LOW}		1.3			μs
SCL Clock High Period	t _{HIGH}		0.7			μs
Rise Time of Both SDA and SCL Signals, Receiving	t _R	(Notes 3, 4)		20 + 0.1C _b	300	ns
Fall Time of Both SDA and SCL Signals, Receiving	t _F	(Notes 3, 4)		20 + 0.1C _b	300	ns
Fall Time of SDA Transmitting	t _{F, TX}	(Notes 3, 4)		20 + 0.1C _b	250	ns
Pulse Width of Spike Suppressed	t _{SP}	(Note 5)		50		ns
Capacitive Load for Each Bus Line	C _b	(Note 3)			400	pF
$\overline{\text{RST}}$ Pulse Width	t _W		500			ns
$\overline{\text{RST}}$ Rising to START Condition Setup Time	t _{RST}		1			μs

Note 1: All parameters are tested at T_A = +25°C. Specifications over temperature are guaranteed by design.

Note 2: A master device must provide a hold time of at least 300ns for the SDA signal (referred to V_{IL} of the SCL signal) in order to bridge the undefined region of SCL's falling edge.

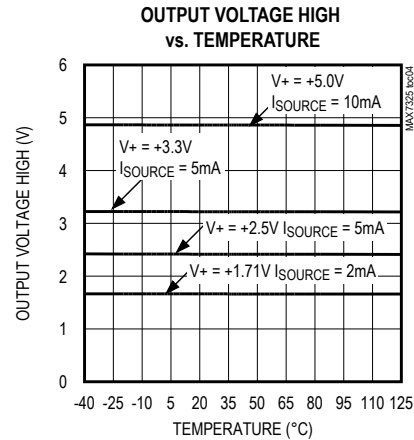
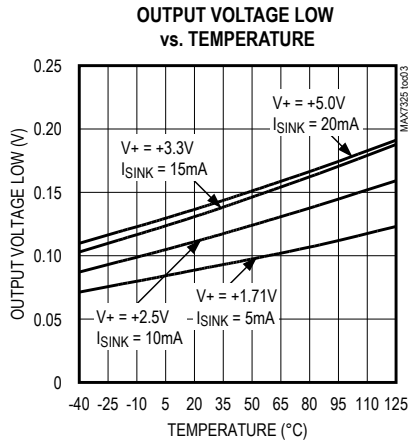
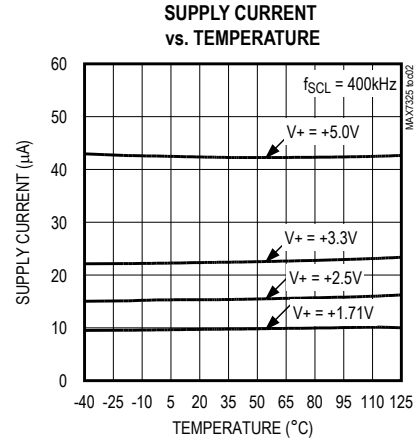
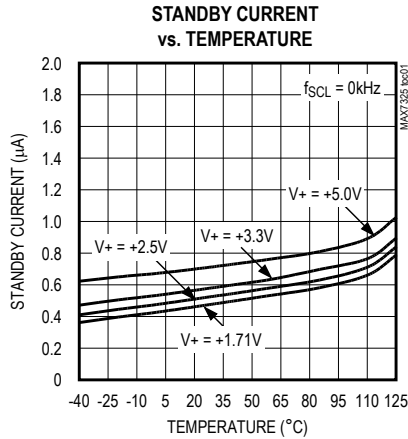
Note 3: Guaranteed by design.

Note 4: C_b = total capacitance of one bus line in pF. I_{SINK} ≤ 6mA. t_R and t_F measured between 0.3 × V+ and 0.7 × V+.

Note 5: Input filters on the SDA and SCL inputs suppress noise spikes less than 50ns.

Typical Operating Characteristics

(T_A = +25°C, unless otherwise noted.)



Pin Description

PIN		NAME	FUNCTION
QSOP	TQFN		
1	22	$\overline{\text{INT}}$	Interrupt Output, Active-Low. $\overline{\text{INT}}$ is an open-drain output.
2	23	$\overline{\text{RST}}$	Reset Input, Active-Low. Drive $\overline{\text{RST}}$ low to clear the 2-wire interface.
3, 21	24, 18	AD2, AD0	Address Inputs. Select device slave address with AD0 and AD2. Connect AD0 and AD2 to either GND, V+, SCL, or SDA to give four logic combinations (see Tables 2 and 3).
4–11	1–8	P0–P7	Open-Drain I/O Ports
12	9	GND	Ground
13–20	10–17	O8–O15	Output Ports. O8–O15 are push-pull outputs.
22	19	SCL	I ² C-Compatible Serial-Clock Input
23	20	SDA	I ² C-Compatible Serial-Data I/O
24	21	V+	Positive Supply Voltage. Bypass V+ to GND with a ceramic capacitor of at least 0.047µF.
—	—	EP	Exposed Paddle (TQFN Only). Connect exposed pad to GND.

Detailed Description

MAX7319–MAX7329 Family Comparison

The MAX7324–MAX7327 family consists of four pin-compatible, 16-port expanders that integrate the functions of the MAX7320 and one of either MAX7319, MAX7321, MAX7322, or MAX7323.

Functional Overview

The MAX7325 is a general-purpose port expander operating from a +1.71V to +5.5V supply with eight push-pull outputs and eight open-drain I/O ports. Each open-drain output is rated to sink 20mA, and the entire device is rated to sink 100mA into all ports combined. The outputs drive loads connected to supplies up to +5.5V.

The MAX7325 is set to two of 32 I²C slave addresses (see [Table 2](#) and [Table 3](#)) using the address select inputs AD0 and AD2, and is accessed over an I²C serial interface up to 400kHz. The eight outputs and eight I/Os have different slave addresses. The eight push-pull outputs have the 101xxxx addresses and the eight inputs have addresses with 110xxxx. The RST input clears the serial interface in case of a bus lockup, terminating any serial transaction to or from the MAX7325.

Configure any port as a logic input by setting the port output logic-high (logic-high for an open-drain output is high impedance). When the MAX7325 is read through the serial interface, the actual logic levels at the ports are read back.

Table 1. MAX7319–MAX7329 Family Comparison

PART	I ² C SLAVE ADDRESS	INPUTS	INPUT INTERRUPT MASK	OPEN-DRAIN OUTPUTS	PUSH-PULL OUTPUTS	CONFIGURATION
16-PORT EXPANDERS						
MAX7324		8	Yes	—	8	8 input and 8 push-pull output versions: 8 input ports with programmable latching transition detection interrupt and selectable pullups. 8 push-pull outputs with selectable default logic levels. Offers maximum versatility for automatic input monitoring. An interrupt mask selects which inputs cause an interrupt on transitions, and transition flags identify which inputs have changed (even if only for a transient) since the ports were last read.
MAX7325	101xxxx and 110xxxx	Up to 8	—	Up to 8	8	8 I/O and 8 push-pull output versions: 8 open-drain I/O ports with latching transition detection interrupt and selectable pullups. 8 push-pull outputs with selectable default logic levels. Open-drain outputs can level shift the logic-high state to a higher or lower voltage than V+ using external pullup resistors, but pullups draw current when output is low. Any open-drain port can be used as an input by setting the open-drain output to logic-high. Transition flags identify which open-drain port inputs have changed (even if only for a transient) since the ports were last read.

Table 1. MAX7319–MAX7329 Family Comparison (continued)

PART	I ² C SLAVE ADDRESS	INPUTS	INPUT INTERRUPT MASK	OPEN-DRAIN OUTPUTS	PUSH-PULL OUTPUTS	CONFIGURATION
MAX7326		4	Yes	—	12	<p>4 input-only, 12 push-pull output versions: 4 input ports with programmable latching transition detection interrupt and selectable pullups.</p> <p>12 push-pull outputs with selectable default logic levels.</p> <p>Offers maximum versatility for automatic input monitoring. An interrupt mask selects which inputs cause an interrupt on transitions, and transition flags identify which inputs have changed (even if only for a transient) since the ports were last read.</p>
MAX7327	101xxxx and 110xxxx	Up to 4	—	Up to 4	12	<p>4 I/O, 12 push-pull output versions: 4 open-drain I/O ports with latching transition detection interrupt and selectable pullups.</p> <p>12 push-pull outputs with selectable default logic levels.</p> <p>Open-drain outputs can level shift the logic-high state to a higher or lower voltage than V₊ using external pullup resistors, but pullups draw current when output is low. Any open-drain port can be used as an input by setting the open-drain output to logic-high.</p> <p>Transition flags identify which open-drain port inputs have changed (even if only for a transient) since the ports were last read.</p>
8-PORT EXPANDERS						
MAX7319	110xxxx	8	Yes	—	—	<p>Input-only versions: 8 input ports with programmable latching transition detection interrupt and selectable pullups.</p>
MAX7320	101xxxx	—	—	—	8	<p>Output-only versions: 8 push-pull outputs with selectable power-up default levels.</p>
MAX7321	110xxxx	Up to 8	—	Up to 8	—	<p>I/O versions: 8 open-drain I/O ports with latching transition detection interrupt and selectable pullups.</p>
MAX7322	110xxxx	4	Yes	—	4	<p>4 input-only, 4 output-only versions: 4 input ports with programmable latching transition detection interrupt and selectable pullups. 4 push-pull outputs with selectable power-up default levels.</p>

Table 1. MAX7319–MAX7329 Family Comparison (continued)

PART	I ² C SLAVE ADDRESS	INPUTS	INPUT INTERRUPT MASK	OPEN- DRAIN OUTPUTS	PUSH- PULL OUTPUTS	CONFIGURATION
MAX7323	110xxxx	Up to 4	—	Up to 4	4	4 I/O, 4 output-only versions: 4 open-drain I/O ports with latching transition detection interrupt and selectable pullups. 4 push-pull outputs with selectable power-up default levels.
MAX7328 MAX7329	0100xxx 0111xxx	Up to 8	—	Up to 8	—	8 open-drain I/O ports with nonlatching transition detection interrupt and pullups on all ports.

The open-drain ports offer latching transition detection when used as inputs. All input ports are continuously monitored for changes. An input change sets one of 8 flag bits that identify changed input(s). All flags are cleared upon a subsequent read or write transaction to the MAX7325.

A latching interrupt output, $\overline{\text{INT}}$, is programmed to flag logic changes on ports used as inputs. Data changes on any input port forces $\overline{\text{INT}}$ to a logic-low. Changing the I/O port level through the serial interface does not cause an interrupt. The interrupt output $\overline{\text{INT}}$ is deasserted when the MAX7325 is next accessed through the serial interface.

Internal pullup resistors to V+ are selected by the address select inputs, AD0 and AD2. Pullups are enabled on the input ports in groups of four (see [Table 2](#)). Use the slave address selection to ensure that I/O ports used as inputs are logic-high on power-up. I/O ports with internal pullups enabled default to a logic-high output state. I/O ports with internal pullups disabled default to a logic-low output state.

Output port power-up logic levels are selected by the address select inputs, AD0 and AD2. Ports default to logic-high or logic-low on power-up in groups of four (see [Table 2](#) and [Table 3](#)).

Initial Power-Up

On power-up, the transition detection logic is reset, and $\overline{\text{INT}}$ is deasserted. The transition flags are cleared to indicate no data changes. The power-up default states of the 16 I/O ports are set according to the I²C slave address selection inputs, AD0 and AD2 (see [Table 2](#) and [Table 3](#)). For I/O ports used as inputs, ensure that the default states are logic-high so that the I/O ports power up in the high-impedance state. All I/O ports configured with pullups enabled also have a logic-high power-up state.

Power-On Reset

The MAX7325 contains an integral power-on-reset (POR) circuit that ensures all registers are reset to a known state on power-up. When V+ rises above V_{POR} (1.6V max), the POR circuit releases the registers and 2-wire interface for normal operation. When V+ drops to less than V_{POR}, the MAX7325 resets all register contents to the POR defaults ([Table 2](#) and [Table 3](#)).

RST Input

The active-low $\overline{\text{RST}}$ input voids any I²C transaction involving the MAX7325, forcing the MAX7325 into the I²C STOP condition. A reset does not affect the interrupt output ($\overline{\text{INT}}$).

Standby Mode

When the serial interface is idle, the MAX7325 automatically enters standby mode, drawing minimal supply current.

Slave Address, Power-Up Default Logic Levels, and Input Pullup Selection

Address inputs AD0 and AD2 determine the MAX7325 slave address, set the power-up I/O state for the ports, and select which inputs have pullup resistors. Internal pullups and power-up default states are set in groups of four (see [Table 2](#)).

The MAX7325 slave address is determined on each I²C transmission, regardless of whether the transmission is actually addressing the MAX7325. The MAX7325 distinguishes whether address inputs AD0 and AD2 are connected to SDA or SCL instead of fixed logic levels V+ or GND during this transmission. The MAX7325 slave address can be configured dynamically in the application without cycling the device supply.

On initial power-up, the MAX7325 cannot decode the address inputs AD0 and AD2 fully until the first I²C transmission. AD0 and AD2 initially appear to be

connected to V+ or GND. This is important because the address selection is used to determine the power-up logic state and whether pullups are enabled. At power-up, the I²C SDA and SCL bus interface lines are high impedance at the inputs of every device (master or slave) connected to the bus, including the MAX7325. This is guaranteed as part of the I²C specification. Therefore, when address inputs AD0 and AD2 are connected to SDA or SCL during power-up, they appear to be connected to V+.

The power-up logic uses AD0 to select the power-up state and whether pullups are enabled for ports P0–P3, and AD2 for ports P4–P7. The rule is that a logic-high, SDA, or SCL connection selects the pullups and sets the default logic state to high. A logic-low deselects the pullups and sets the default logic state to low (Table 2). The port configuration is correct on power-up for a standard I²C configuration, where SDA or SCL are pulled up to V+ by the external I²C pullup resistors.

There are circumstances where the assumption that SDA = SCL = V+ on power-up is not true—for example, in applications in which there is legitimate bus activity during power-up. If SDA and SCL are terminated with pullup resistors to a different supply voltage than the MAX7325’s supply voltage, and if that pullup supply rises later than the MAX7325’s supply, then SDA or SCL may appear at power-up to be connected to GND. In such applications, use the four address combinations that are selected by connecting address inputs AD0 and AD2 to V+ or GND (shown in bold in Table 2 and Table 3). These selections are guaranteed to be correct at power-up, independent of SDA and SCL behavior. If one of the other 12 address combinations is used, an unexpected combination of pullups might be asserted until the first I²C transmission (to any device, not necessarily the MAX7325) is put on the bus, and an unexpected combination of ports can initialize as logic-low outputs instead of inputs or logic-high outputs.

Table 2. MAX7325 Address Map for Ports P0–P7

PIN CONNECTION		DEVICE ADDRESS							PORT POWER-UP DEFAULT								40kΩ INPUT PULLUPS ENABLED							
AD2	AD0	A6	A5	A4	A3	A2	A1	A0	P7	P6	P5	P4	P3	P2	P1	P0	P7	P6	P5	P4	P3	P2	P1	P0
SCL	GND	1	1	0	0	0	0	0	1	1	1	1	0	0	0	0	Y	Y	Y	Y	—	—	—	—
SCL	V+	1	1	0	0	0	0	1	1	1	1	1	1	1	1	1	Y	Y	Y	Y	Y	Y	Y	Y
SCL	SCL	1	1	0	0	0	1	0	1	1	1	1	1	1	1	1	Y	Y	Y	Y	Y	Y	Y	Y
SCL	SDA	1	1	0	0	0	1	1	1	1	1	1	1	1	1	1	Y	Y	Y	Y	Y	Y	Y	Y
SDA	GND	1	1	0	0	1	0	0	1	1	1	1	0	0	0	0	Y	Y	Y	Y	—	—	—	—
SDA	V+	1	1	0	0	1	0	1	1	1	1	1	1	1	1	1	Y	Y	Y	Y	Y	Y	Y	Y
SDA	SCL	1	1	0	0	1	1	0	1	1	1	1	1	1	1	1	Y	Y	Y	Y	Y	Y	Y	Y
SDA	SDA	1	1	0	0	1	1	1	1	1	1	1	1	1	1	1	Y	Y	Y	Y	Y	Y	Y	Y
GND	GND	1	1	0	1	0	0	0	0	0	0	0	0	0	0	0	—	—	—	—	—	—	—	—
GND	V+	1	1	0	1	0	0	1	0	0	0	0	1	1	1	1	—	—	—	—	Y	Y	Y	Y
GND	SCL	1	1	0	1	0	1	0	0	0	0	0	1	1	1	1	—	—	—	—	Y	Y	Y	Y
GND	SDA	1	1	0	1	0	1	1	0	0	0	0	1	1	1	1	—	—	—	—	Y	Y	Y	Y
V+	GND	1	1	0	1	1	0	0	1	1	1	1	0	0	0	0	Y	Y	Y	Y	—	—	—	—
V+	V+	1	1	0	1	1	0	1	1	1	1	1	1	1	1	1	Y	Y	Y	Y	Y	Y	Y	Y
V+	SCL	1	1	0	1	1	1	0	1	1	1	1	1	1	1	1	Y	Y	Y	Y	Y	Y	Y	Y
V+	SDA	1	1	0	1	1	1	1	1	1	1	1	1	1	1	1	Y	Y	Y	Y	Y	Y	Y	Y

Table 3. MAX7325 Address Map for Outputs O8–O15

PIN CONNECTION		DEVICE ADDRESS							OUTPUTS POWER-UP DEFAULT							
AD2	AD0	A6	A5	A4	A3	A2	A1	A0	O15	O14	O13	O12	O11	O10	O9	O8
SCL	GND	1	0	1	0	0	0	0	1	1	1	1	0	0	0	0
SCL	V+	1	0	1	0	0	0	1	1	1	1	1	1	1	1	1
SCL	SCL	1	0	1	0	0	1	0	1	1	1	1	1	1	1	1
SCL	SDA	1	0	1	0	0	1	1	1	1	1	1	1	1	1	1
SDA	GND	1	0	1	0	1	0	0	1	1	1	1	0	0	0	0
SDA	V+	1	0	1	0	1	0	1	1	1	1	1	1	1	1	1
SDA	SCL	1	0	1	0	1	1	0	1	1	1	1	1	1	1	1
SDA	SDA	1	0	1	0	1	1	1	1	1	1	1	1	1	1	1
GND	GND	1	0	1	1	0	0	0	0	0	0	0	0	0	0	0
GND	V+	1	0	1	1	0	0	1	0	0	0	0	1	1	1	1
GND	SCL	1	0	1	1	0	1	0	0	0	0	0	1	1	1	1
GND	SDA	1	0	1	1	0	1	1	0	0	0	0	1	1	1	1
V+	GND	1	0	1	1	1	0	0	1	1	1	1	0	0	0	0
V+	V+	1	0	1	1	1	0	1	1	1	1	1	1	1	1	1
V+	SCL	1	0	1	1	1	1	0	1	1	1	1	1	1	1	1
V+	SDA	1	0	1	1	1	1	1	1	1	1	1	1	1	1	1

Port Inputs

I/O port inputs switch at the CMOS-logic levels as determined by the expander's supply voltage, and are overvoltage tolerant to +6V, independent of the expander's supply voltage.

I/O Port Input Transition Detection

All I/O ports configured as inputs are monitored for changes since the expander was last accessed through the serial interface. The state of the ports is stored in

an internal "snapshot" register for transition monitoring. The snapshot is continuously compared with the actual input conditions, and if a change is detected for any port input, $\overline{\text{INT}}$ is asserted to signal a state change. The input ports are sampled (internally latched into the snapshot register) and the old transition flags cleared during the I²C acknowledge of every MAX7325 read and write access. The previous port transition flags are read through the serial interface as the second byte of a 2-byte read sequence.

Serial Interface

Serial Addressing

The MAX7325 operates as a slave that sends and receives data through an I²C interface. The interface uses a serial-data line (SDA) and a serial-clock line (SCL) to achieve bidirectional communication between master(s) and slave(s). The master initiates all data transfers to and from the MAX7325 and generates the SCL clock that synchronizes the data transfer (Figure 1).

SDA operates as both an input and an open-drain output. A pullup resistor, typically 4.7kΩ, is required on SDA. SCL operates only as an input. A pullup resistor, typically 4.7kΩ, is required on SCL if there are multiple masters on the 2-wire interface, or if the master in a single-master system has an open-drain SCL output.

Each transmission consists of a START condition sent by a master, followed by the MAX7325's 7-bit slave addresses plus R/W bits, 1 or more data bytes, and finally a STOP condition (Figure 2).

Start and Stop Conditions

Both SCL and SDA remain high when the interface is not busy. A master signals the beginning of a transmission with a START (S) condition by transitioning SDA from high to low while SCL is high. When the master has finished communicating with the slave, the master issues a STOP (P) condition by transitioning SDA from low to high while SCL is high. The bus is then free for another transmission (Figure 2).

Bit Transfer

One data bit is transferred during each clock pulse. The data on SDA must remain stable while SCL is high (Figure 3).

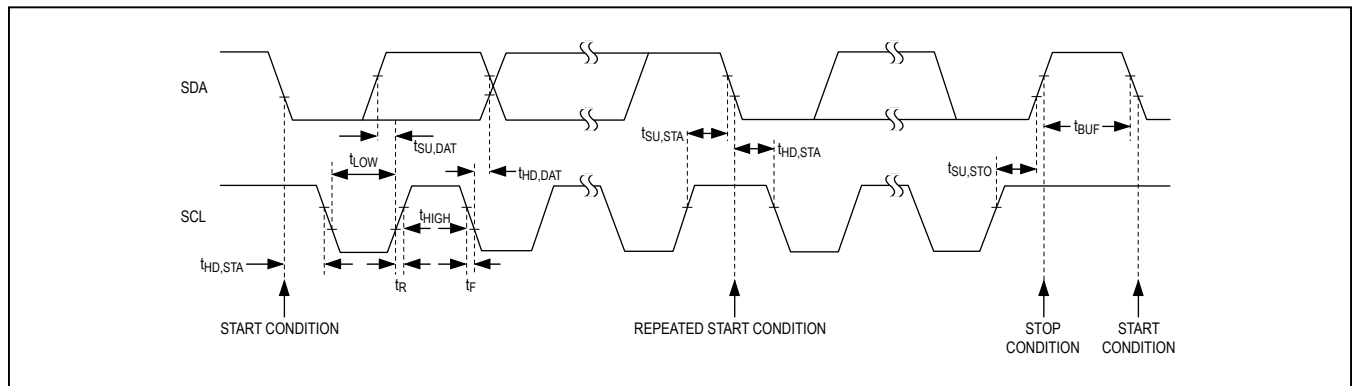


Figure 1. 2-Wire Serial Interface Timing Details

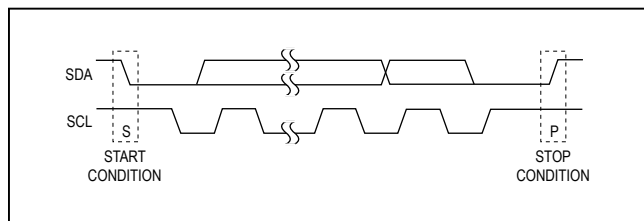


Figure 2. START and STOP Conditions

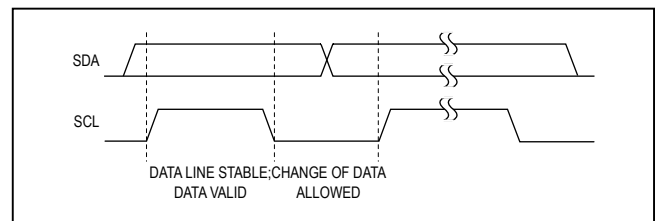


Figure 3. Bit Transfer

Acknowledge

The acknowledge bit is a clocked 9th bit the recipient uses to acknowledge receipt of each byte of data (Figure 4). Each byte transferred effectively requires 9 bits. The master generates the 9th clock pulse, and the recipient pulls down SDA during the acknowledge clock pulse, such that the SDA line is stable low during the high period of the clock pulse. When the master is transmitting to the MAX7325, the device generates the acknowledge bit because the MAX7325 is the recipient. When the device is transmitting to the master, the master generates the acknowledge bit because the master is the recipient.

Slave Address

Each device has two different 7-bit slave addresses (Table 2 and Table 3). The addresses are different to communicate to either the eight push-pull outputs or the eight I/Os.

The 8th bit of the slave address following the 7-bit slave address is the R/W bit. It is low for a write command, and high for a read command (Figure 5). The first (A6), second (A5), and third (A4) bits of the MAX7325 slave

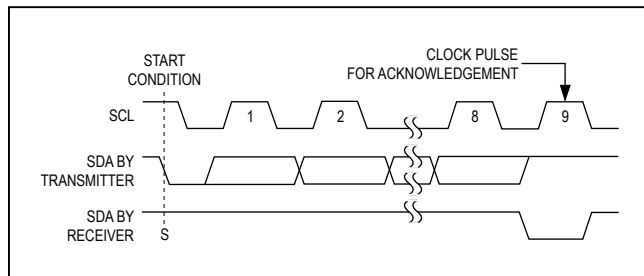


Figure 4. Acknowledge

address are always 1, 1, and 0 (P0–P7) or 1, 0, and 1 (O8 to O15). Connect AD0 and AD2 to GND, V+, SDA, or SCL to select the slave address bits A3, A2, A1, and A0. The MAX7325 has 16 possible pairs of slave addresses (Table 2 and Table 3), allowing up to 16 MAX7325 devices on an I²C bus.

Accessing the MAX7325

The MAX7325 is accessed through an I²C interface. The MAX7325 has two different 7-bit slave addresses for either the eight open-drain I/O ports (P0–P7) or the eight push-pull ports (O8–O15). See Table 2 and Table 3.

A **single-byte read** from the I/O ports (P0–P7) of the MAX7325 returns the status of the eight I/O ports and clears both the internal transition flags and the \overline{INT} output when the master acknowledges the slave address byte. A single-byte read from the eight push-pull ports (O8–O15) returns the status of the eight output ports, read back as inputs.

A **2-byte read** from the I/O ports (P0–P7) of the MAX7325 returns the status of the eight I/O ports (as for a single-byte read), followed by the transition flags. Again, the internal transition flags and the \overline{INT} output are cleared when the master acknowledges the slave address byte, yet the previous transition flag data is sent as the second byte. A 2-byte read from the push-pull ports of the MAX7325 repeatedly returns the status of the eight output ports, read back as inputs.

A **multibyte read** (more than 2 bytes before the I²C STOP bit) from the I/O ports (P0–P7) of the MAX7325 repeatedly returns the port data, followed by the transition flags. As the port data is resampled for each transmission, and the transition flags are reset each time, a multibyte read continuously returns the current data and identifies any changing input ports.

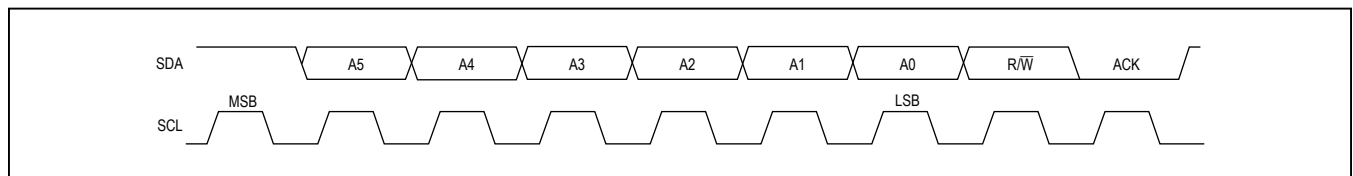


Figure 5. Slave Address

If a port input data change occurs during the read sequence, then \overline{INT} is reasserted during the I²C STOP bit. The MAX7325 does not generate another interrupt during a single-byte or multibyte read.

Input port data is sampled during the preceding I²C acknowledge bit (the acknowledge bit for the I²C slave address in the case of a single-byte or two-byte read).

A multibyte read from the push-pull ports of the MAX7325 repeatedly returns the status of the eight output ports, read back as inputs.

A **single-byte write** to either port groups of the MAX7325 sets the logic state of all eight ports.

A **multibyte write** to either port group of the MAX7325 repeatedly sets the logic state of all eight ports.

Reading the MAX7325

A read from the open-drain I/O ports of the MAX7325 starts with the master transmitting the port group's slave address with the R/\overline{W} bit set to high. The MAX7325 acknowledges the slave address, and samples the ports during the acknowledge bit. \overline{INT} deasserts during the slave address acknowledge.

Typically, the master reads 1 or 2 bytes from the MAX7325, each byte being acknowledged by the master upon reception with the exception of the last byte.

When the master reads one byte from the open-drain ports of the MAX7325 and subsequently issues a STOP condition (Figure 6), the device transmits the current port data, clears the change flags, and resets the transition detection. \overline{INT} deasserts during the slave

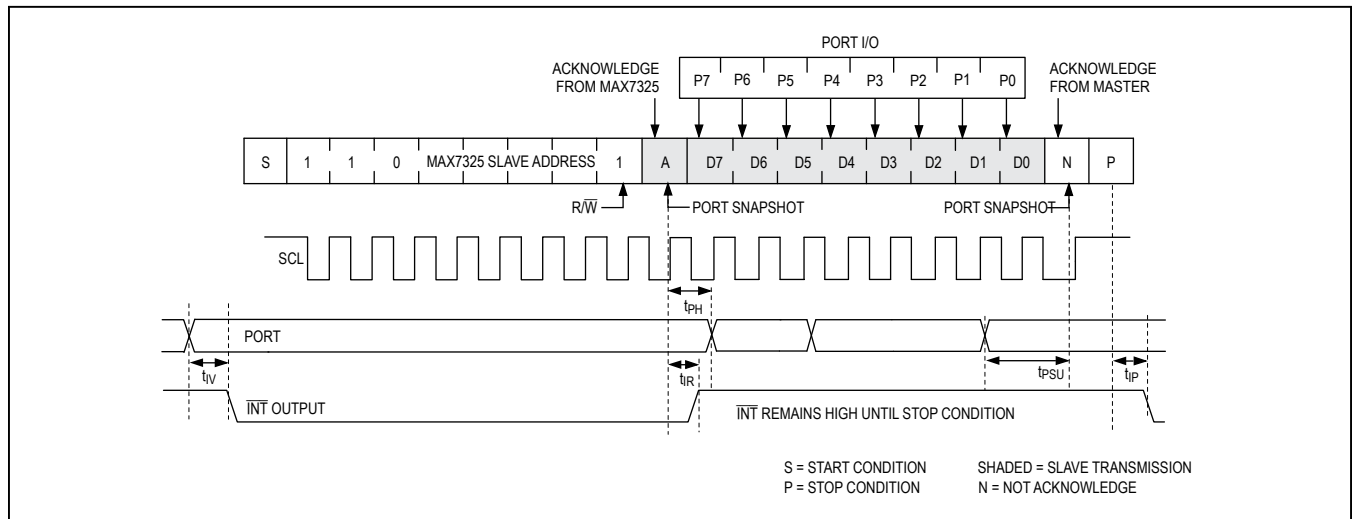


Figure 6. Reading Open-Drain Ports of the MAX7325 (1 Data Byte)

acknowledge. The new snapshot data is the current port data transmitted to the master, and therefore, port changes occurring during the transmission are detected. $\overline{\text{INT}}$ remains high until the STOP condition.

The master can read 2 bytes from the open-drain ports of the device and subsequently issues a STOP condition (Figure 7). In this case, the device transmits the current port data, followed by the change flags. The change flags are then cleared, and transition detection is reset. $\overline{\text{INT}}$ goes high (high impedance if an external pullup resistor is not fitted) during the slave acknowledge. The new snapshot data is the current port data transmitted to the master, and therefore, port changes occurring during the transmission are detected. $\overline{\text{INT}}$ remains high until the STOP condition.

A read from the push-pull ports of the MAX7325 starts with the master transmitting the group's slave address with the R/W bit set high. The MAX7325 acknowledges the slave address, and samples the logic state of the output ports during the acknowledge bit. The master can read one or more bytes from the push-pull ports of the MAX7325 and then issues a STOP condition (Figure 8). The MAX7325 transmits the current port data, read back from the actual port outputs (not the port output latches) during the acknowledge. If a port is forced to a logic state other than its programmed state, the readback reflects this. If driving a capacitive load, the readback port level verification algorithms may need to take the RC rise/fall time into account.

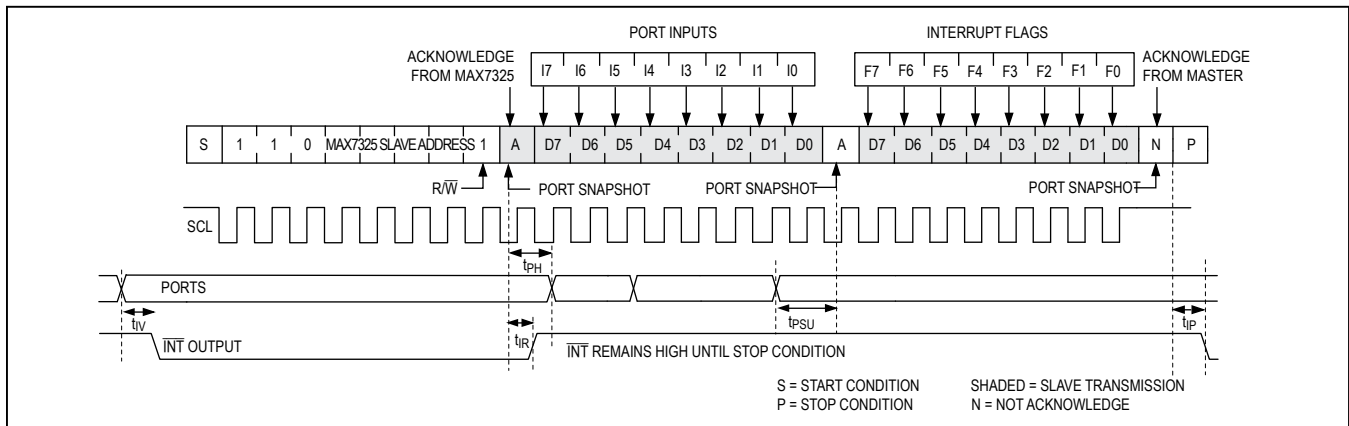


Figure 7. Reading Open-Drain Ports of the MAX7325 (2 Data Bytes)

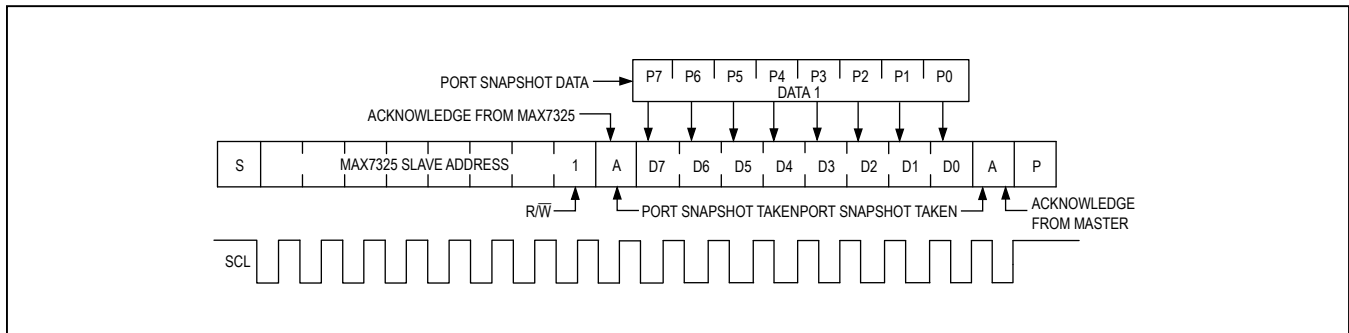


Figure 8. Reading Push-Pull Ports of MAX7325

Typically, the master reads one byte from the push-pull ports of the MAX7325, then issues a STOP condition (Figure 9). However, the master can read two or more bytes from the group B ports of the MAX7325, then issues a STOP condition. In this case, the MAX7325 resamples the port outputs during each acknowledge and transmits the new data each time.

Writing the MAX7325

A write to either output port groups of the MAX7325 starts with the master transmitting the group’s slave address with the R/W bit set low. The MAX7325 acknowledges the slave address and samples the ports during the acknowledge bit. INT goes high (high impedance if an external pullup resistor is not fitted) during the slave acknowledge only when it writes to the open-drain ports. The master can now transmit one or more bytes of data. The MAX7325 acknowledges these subsequent bytes of data and updates the corresponding group’s ports with each new byte until the master issues a STOP condition (Figure 9).

Applications Information

Port Input and I²C Interface Level Translation from Higher or Lower Logic Voltages

The MAX7325’s SDA, SCL, AD0, AD2, RST, INT, O8–O15, and P0–P7 are overvoltage protected to +6V. This allows the MAX7325 to operate from a lower supply voltage, such as +3.3V, while the I²C interface and/or any of the eight I/O ports are driven as inputs from a higher logic level, such as +5V.

The MAX7325 can operate from a higher supply voltage, such as +3V, while the I²C interface and/or some of the I/O ports P0–P7 are driven from a lower logic level, such as +2.5V. For $V+ < 1.8V$, apply a minimum voltage of $0.8 \times V+$ to assert a logic-high on any input. For a $V+ \geq 1.8V$, apply a voltage of $0.7 \times V+$ to assert a logic-high. For example, a MAX7325 operating from a +5V supply may not recognize a +3.3V nominal logic-high. One solution for input-level translation is to drive MAX7325 I/Os from open-drain outputs. Use a pullup resistor to V+ or a higher supply to ensure a high logic voltage greater than $0.7 \times V+$.

Port Output Signal-Level Translation

The open-drain output architecture allows for level translation to higher or lower voltages than the MAX7325’s supply. Use an external pullup resistor on any output to convert the high-impedance logic-high condition to a positive voltage level. The resistor can be connected to any voltage up to +6V, and the resistor value chosen to ensure no more than 20mA is sunk in the logic-low condition. For interfacing CMOS inputs, a pullup resistor value of 220kΩ is a good starting point. Use a lower resistance to improve noise immunity, in applications where power consumption is less critical, or where a faster rise time is needed for a given capacitive load.

Each of the push-pull output ports has protection diodes to V+ and GND. When a port output is driven to a voltage higher than V+ or lower than GND, the appropriate protection diode clamps the output to a diode drop above V+ or below GND. When the MAX7325 is powered down ($V+ = 0V$), every output port’s protection

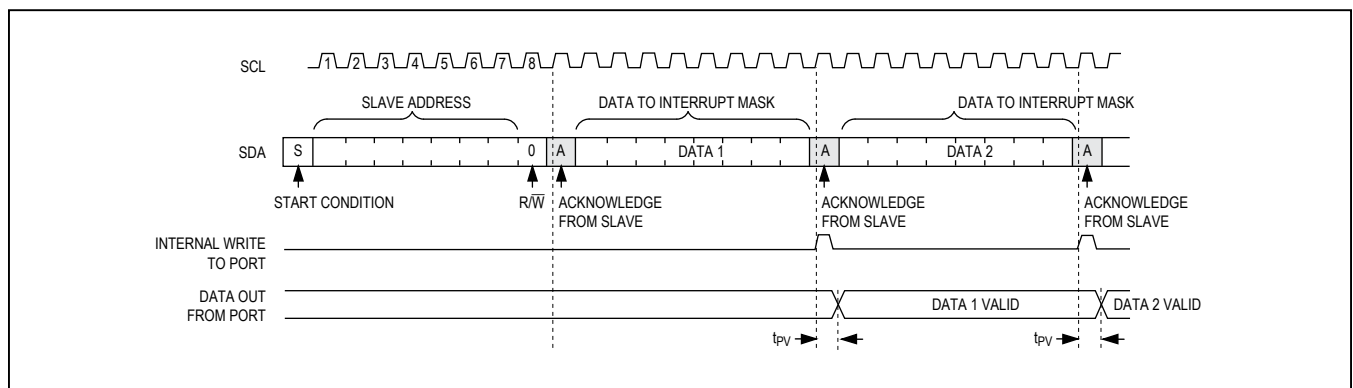


Figure 9. Writing to the MAX7325

diodes to V+ and GND continue to appear as a diode clamp from each output to GND (Figure 10).

Each of the I/O ports P0–P7 has a protection diode to GND (Figure 11). When a port is driven to a voltage lower than GND, the protection diode clamps the port to a diode drop below GND.

Each of the I/O ports P0–P7 also has a 40kΩ (typ) pullup resistor that can be enabled or disabled. When a port input is driven to a voltage higher than V+, the body diode of the pullup enable switch conducts and the 40kΩ pullup resistor is enabled. When the MAX7325 is powered down (V+ = 0V), each I/O port appears as a 40kΩ resistor in series with a diode connected to 0V. Input ports are protected to +6V under any of these circumstances (Figure 11).

Driving LED Loads

When driving LEDs from one of the outputs, a resistor must be fitted in series with the LED to limit the LED current to no more than 20mA. Connect the LED cathode to the MAX7325 port, and the LED anode to V+ through the series current-limiting resistor, R_{LED}. Set the port output low to illuminate the LED. Choose the resistor value according to the following formula:

$$R_{LED} = (V_{SUPPLY} - V_{LED} - V_{OL}) / I_{LED}$$

where:

R_{LED} is the resistance of the resistor in series with the LED (Ω).

V_{SUPPLY} is the supply voltage used to drive the LED (V).

V_{LED} is the forward voltage of the LED (V).

V_{OL} is the output low voltage of the MAX7325 when sinking I_{LED} (V).

I_{LED} is the desired operating current of the LED (A).

For example, to operate a 2.2V red LED at 10mA from a +5V supply:

$$R_{LED} = (5 - 2.2 - 0.1) / 0.01 = 270\Omega$$

Driving Load Currents Higher Than 20mA

The MAX7325 can be used to drive loads, such as relays that draw more than 20mA, by paralleling outputs. Use at least one output per 20mA of load current; for example, a 5V 330mW relay draws 66mA, and therefore, requires four paralleled outputs. Any combination of outputs can be used as part of a load-sharing design because any combination of ports can be set or cleared at the same time by writing to the MAX7325. Do not exceed a total sink current of 100mA for the device.

The device must be protected from the negative-voltage transient generated when switching off inductive loads (such as relays), by connecting a reverse-biased diode across the inductive load. Choose the peak current for the diode to be greater than the inductive load’s operating current.

Power-Supply Considerations

The MAX7325 operates with a supply voltage of +1.71V to +5.5V. Bypass the supply to GND with a ceramic capacitor of at least 0.047μF as close as possible to the device. For the TQFN version, additionally connect the exposed pad to GND.

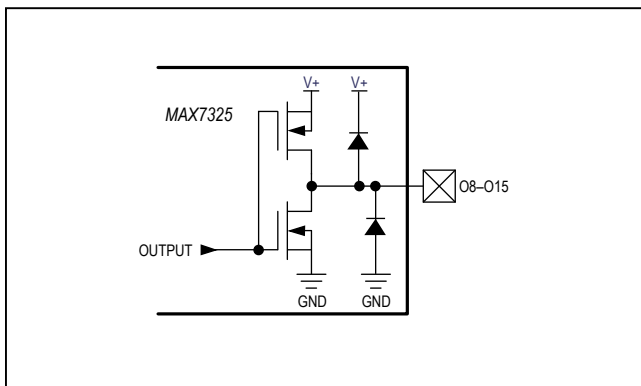


Figure 10. MAX7325 Push-Pull Output Port Structure

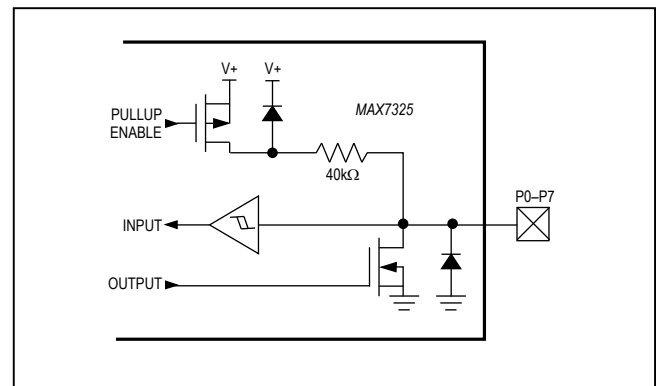
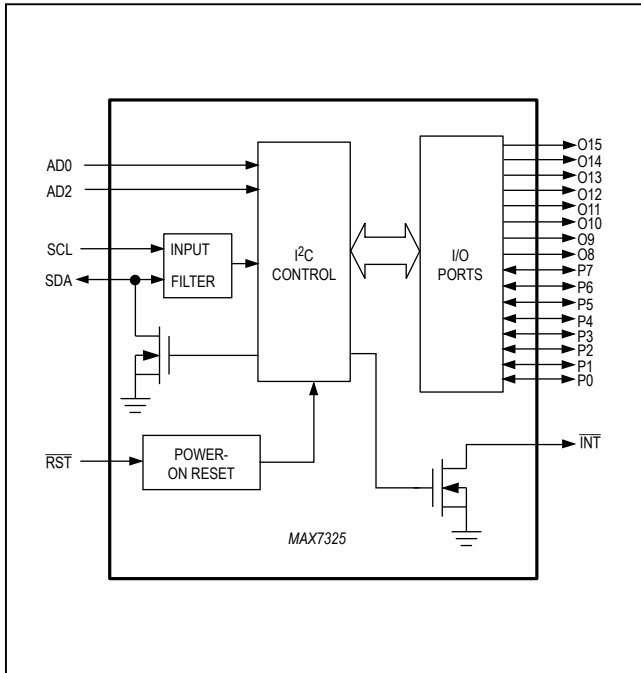


Figure 11. MAX7325 Open-Drain I/O Port Structure

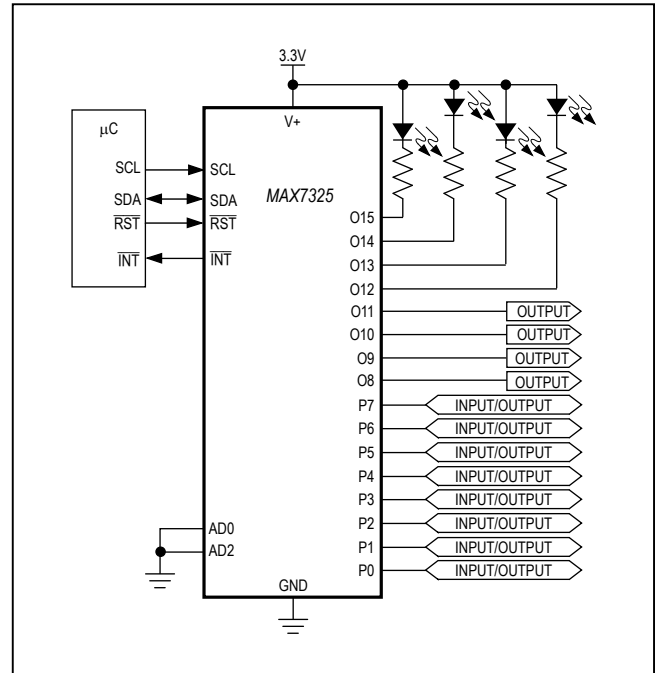
MAX7325

I²C Port Expander with 8 Push-Pull and 8 Open-Drain I/Os

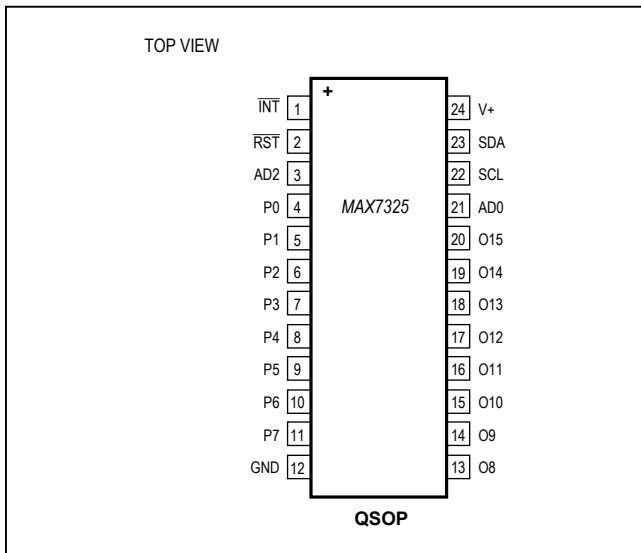
Functional Diagram



Typical Application Circuit



Pin Configurations (continued)



Chip Information

PROCESS: BiCMOS

Package Information

For the latest package outline information and land patterns (footprints), go to www.maximintegrated.com/packages. Note that a "+", "#", or "-" in the package code indicates RoHS status only. Package drawings may show a different suffix character, but the drawing pertains to the package regardless of RoHS status.

PACKAGE TYPE	PACKAGE CODE	OUTLINE NO.	LAND PATTERN NO.
24 QSOP	E24+1	21-0055	90-0172
24 TQFN-EP	T2444+4	21-0139	90-0022