

Click [here](#) for production status of specific part numbers.

## MAX77640/MAX77641 Evaluation Kit

Evaluates: MAX77640/MAX77641

### General Description

The MAX77640/MAX77641 evaluation kit (EV kit) is a fully assembled and tested printed circuit board (PCB) that demonstrates the MAX77640/MAX77641. The EV kit allows for easy evaluation of the MAX77640/MAX77641 resources, including the SIMO, LDO, GPIO, current sinks, and I<sup>2</sup>C interface.

Windows<sup>®</sup>-based software provides a user-friendly graphical interface (GUI) as well as a detailed register-based interface to exercise the features of the MAX77640/MAX77641.

Ordering Information appears at end of data sheet.

### Benefits and Features

- Easy to Use
  - GUI Drives I<sup>2</sup>C Interface
  - Red/Green/Blue LED
  - Fully Assembled and Tested
- Emulates System Loading
  - On-Board Electronic Load for LDO and SIMO Buck Boost Outputs
  - Electronic Load has Steady-State, Transient, and Random Modes
- Evaluates Both Push-Button and Slider-Switch On-Key Options

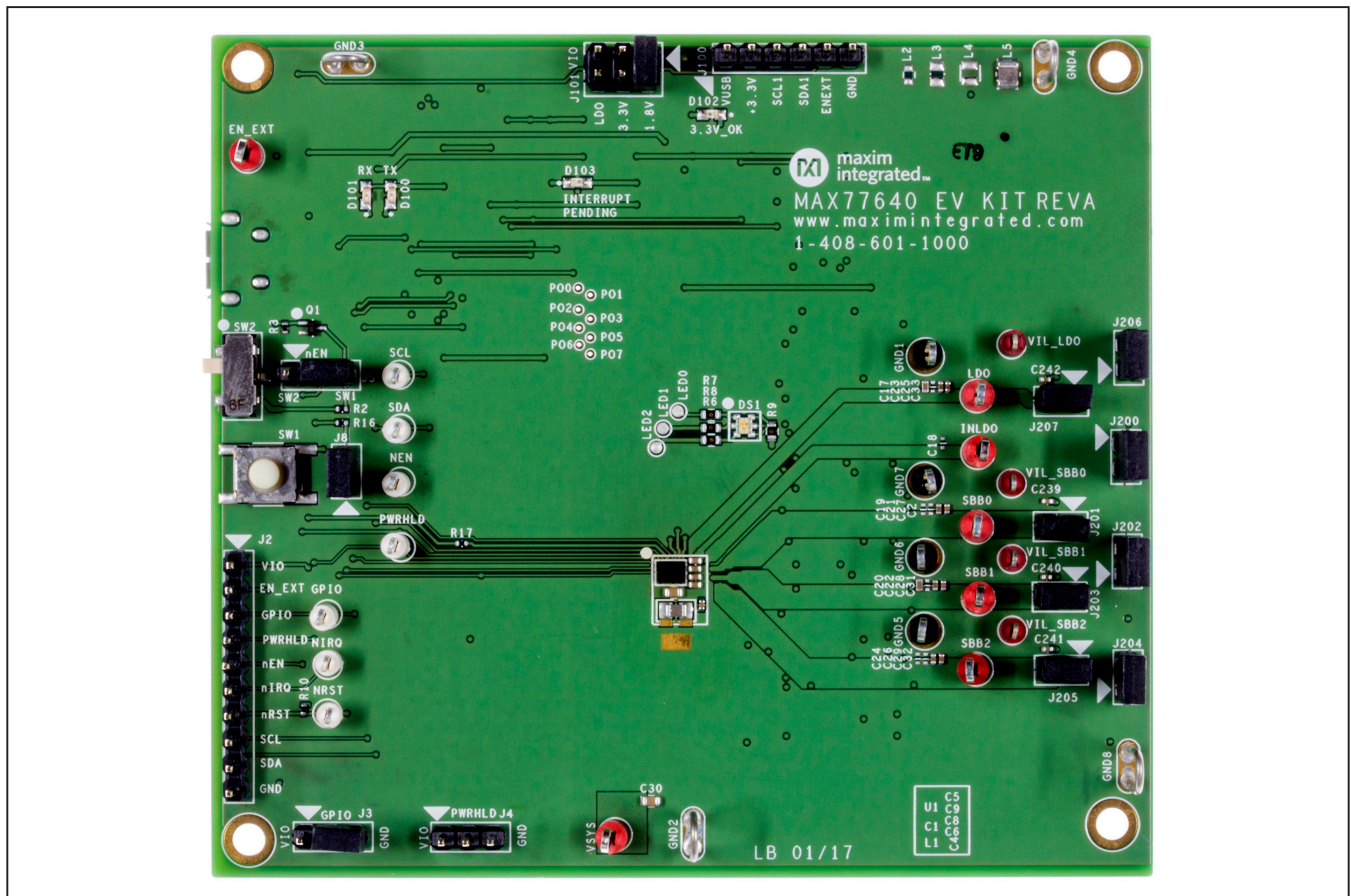


Figure 1. MAX77640/MAX77641 EV Kit Photo

Windows is a registered trademark and registered service mark of Microsoft Corporation.



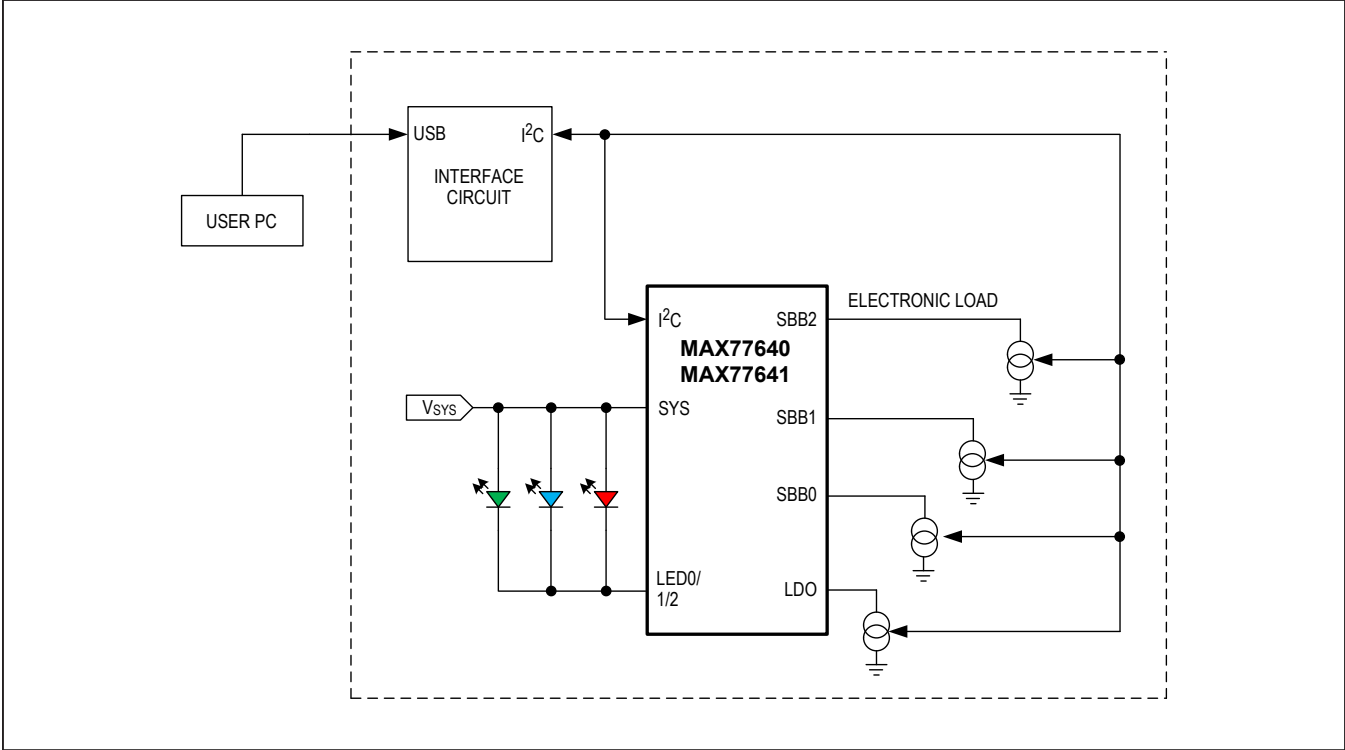


Figure 2. MAX77640/MAX77641 EV Kit Block Diagram

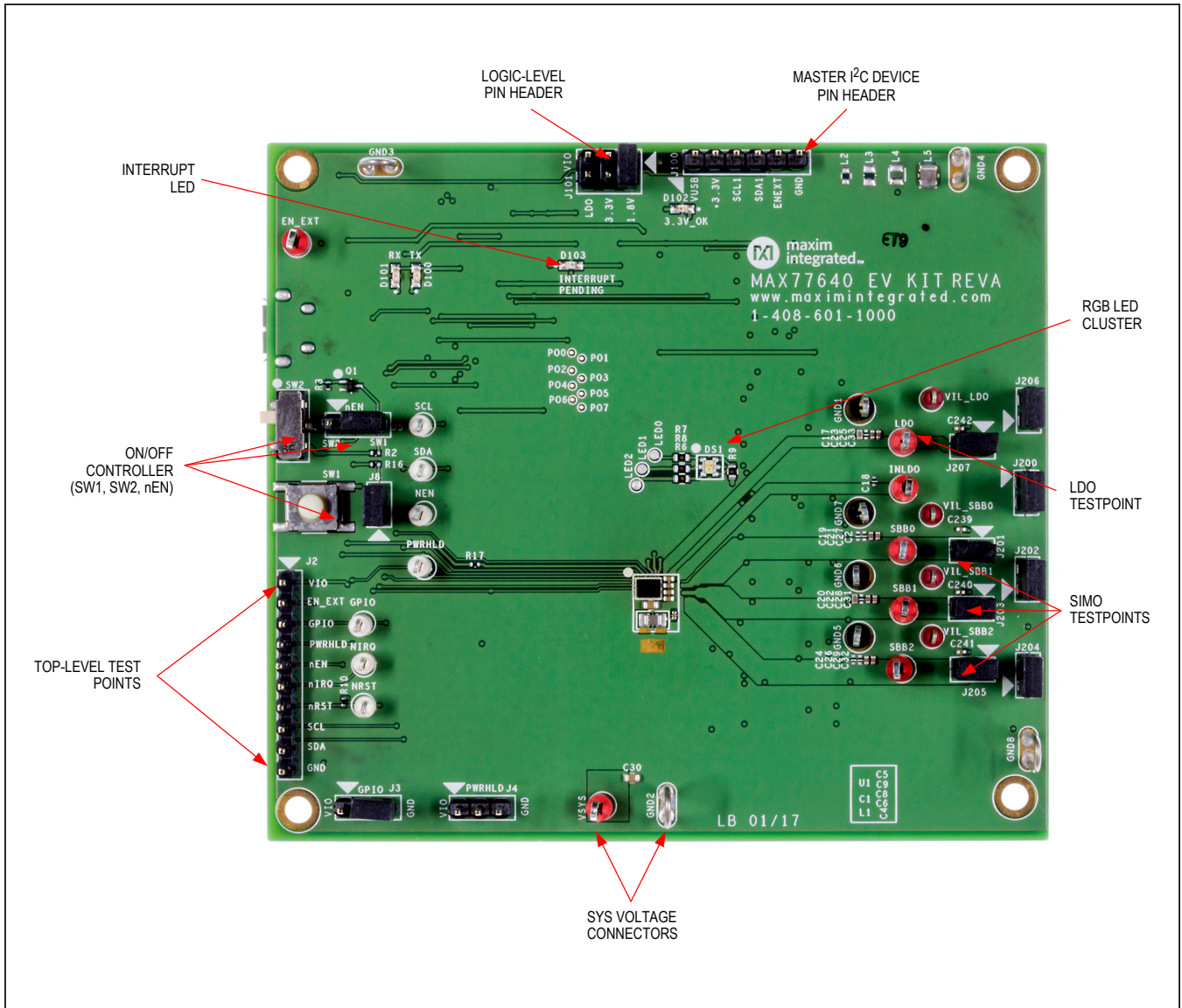


Figure 3. MAX77640/MAX77641 EV Kit Top View



**Table 1. Default Shunt Positions and Jumper Descriptions**

REFERENCE DESIGNATOR	DEFAULT POSITION	FUNCTION
J100	N/A	Do not connect shunts to J100.
J101	1-2	<b>1-2:</b> Connects a $V_{IO}$ to the 1.8V EV kit logic rail. <b>3-4:</b> Connects a $V_{IO}$ to the 3.3V EV kit logic rail. <b>5-6:</b> Connects a $V_{IO}$ to the LDO output.
J200	1-2	<b>1-2:</b> Connects the U200 amplifier to the gate of the Q200 load FET.
J201	1-2	<b>1-2:</b> Connects SBB0 to load cell.
J202	1-2	<b>1-2:</b> Connects the U202 amplifier to the gate of the Q202 load FET.
J203	1-2	<b>1-2:</b> Connects SBB1 to load cell.
J204	1-2	<b>1-2:</b> Connects the U204 amplifier to the gate of the Q204 load FET.
J205	1-2	<b>1-2:</b> Connects SBB2 to load cell.
J206	1-2	<b>1-2:</b> Connects the U206 amplifier to the gate of the Q206 load FET.
J207	1-2	<b>1-2:</b> Connects LDO to load cell.
J2	N/A	Do not connect shunts to J2.
J3	1-2	<b>1-2:</b> Connects GPIO to $V_{IO}$ . <b>2-3:</b> Connects GPIO to GND.
J4	1-2	<b>1-2:</b> Connects PWRHLD to $V_{IO}$ . <b>2-3:</b> Connects PWRHLD to GND.
J5	2-3	<b>1-2:</b> Connects nEN to SW2. <b>2-3:</b> Connects nEN to SW1.
J6	N/A	USB-Micro adapter for communications to a user PC (and use the GUI).
J8	1-2	<b>1-2:</b> Connects nRST to PWRHLD through a 150 $\Omega$ resistor.

## Quick Start

Follow this procedure to familiarize yourself with the EV kit.

**Note:** In the following sections, software-related items are identified by bolding. Text in **bold** refers to items directly from the EV kit software. Text in **bold and underlined** refers to items from the Windows operating system.

### Required Equipment

- MAX77640/MAX77641 EV kit
- Windows-based PC
- Power supply
- Ammeter
- DVM
- Micro-USB cable
- GUI

## Procedure

The EV kit is fully assembled and tested. Follow the steps below to verify board operation:

- 1) Visit the product webpage at [www.maximintegrated.com/max77640evkit](http://www.maximintegrated.com/max77640evkit) and navigate to Design Resources to download the latest version of the EV kit software. Save the EV kit software to a temporary folder and decompress the ZIP file.
- 2) Make sure shunts are installed on jumpers per [Figure 1](#).
- 3) Connect a Micro-B USB cable between the EV kit's J6 and your Windows-based PC.
- 4) Apply a 3.7V supply (set for 100mA current limit) through an ammeter (set for 10mA range) across the SYS and GND2 terminals of the EV kit. Turn the supply on.
- 5) Open the GUI and press the **Connect** button in the upper left corner. Wait for the device to respond, and in the **Synchronize** window, press the **Read and close** button.

- 6) Press the on-key (SW1).
- 7) Confirm with the ammeter that the quiescent current is approximately 40µA.
- 8) Connect a DVM to LDO, SBB0, SBB1, and SBB2. For the MAX77640A, 1.5V, 1.8V, 1.2V, and 3.3V appear, respectively. For the MAX77641A, 1.5V, 1.8V, 3.3V, and 5.0V appear, respectively.

This concludes the Quick Start procedure. Users are now encouraged to explore the device and its register settings with the GUI. During general device evaluation, set the ammeter range to greater than or equal to 1A to minimize the impact of its series resistance.

For more information on the GUI, see the [Software](#) section.

### EV Kit Features

#### On-Key Options

For applications that require a user switch to enable the IC, the EV kit comes with two common types: the push-button (momentary) and the slider-switch (persistent). The active-low enable pin (nEN) has an external pullup resistor R2. Select which type of switch to use with a

jumper on J5. See the data sheet for more information on configuring the IC for momentary or persistent switches.

#### Electronic Load

To easily evaluate the SIMO and LDO, the EV kit comes with an on-board, electronic load controllable with the GUI. Through I<sup>2</sup>C, the GUI controls an on-board DAC and op-amp configuration to set the load current. Jumpers on J201, J203, J205, and J207 connect the load to the outputs of the SBB0, SBB1, SBB2, and LDO, respectively. Emulate SYS loading by removing the jumper on J207 and connecting pin 1 of J207 to V<sub>SYS</sub>. See the [Software](#) section for how to set the load current from the GUI.

To simulate load transient response, connect a signal generator to pin 2 of J200 (SBB0), J202 (SBB1), J204 (SBB2), or J206 (LDO). Drive the MOSFET gate with an analog signal between 1V (off) and 3V (fully on) to apply transients to the output of the SIMO or LDO. For manually measuring current, measure the voltage across the sense resistor using test point VIL\_SBB0, VIL\_SBB1, VIL\_SBB2, or VIL\_LDO. Since the resistor is 1Ω, the voltage to load current conversion is 1:1.

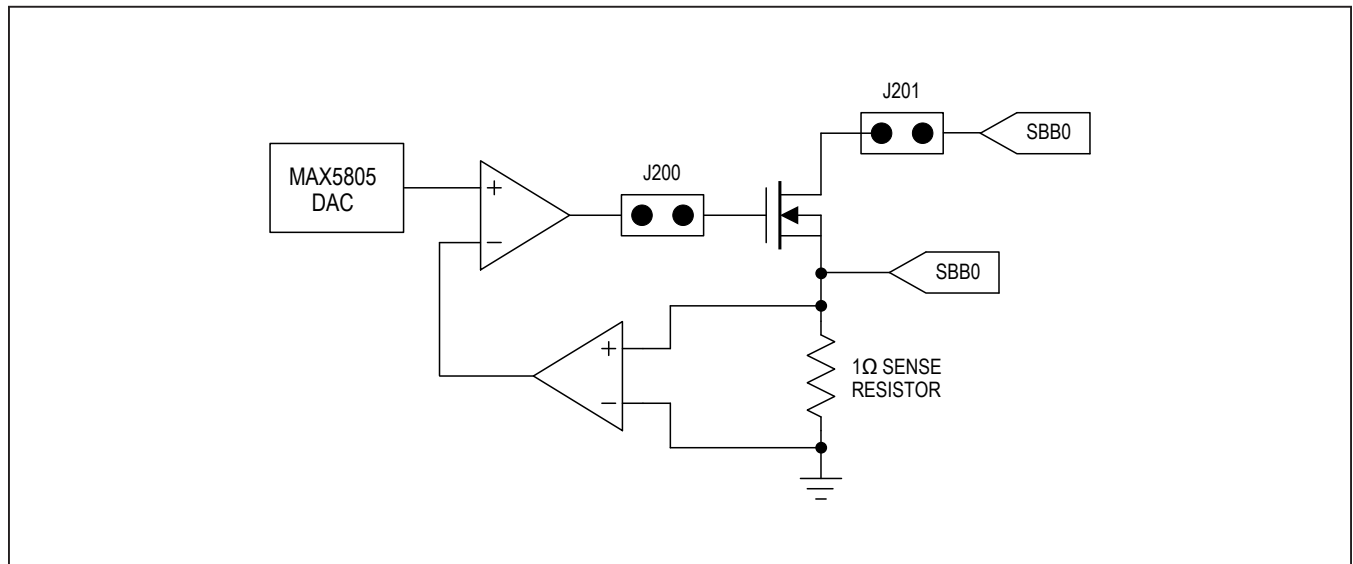


Figure 5. Electronic Load Block Diagram

### Software

The graphical user interface (GUI) software allows for quick, easy, and thorough evaluation of the MAX77640/MAX77641.

The GUI is designed to have individual tabs for each functional block of the device (MAX77640/MAX77641), Interrupts/Status, SIMO, and an additional tab for controlling EV kit hardware (Load Control). See [Figure 6](#) for a screenshot of the GUI upon first opening.

### Installation

Visit the product webpage at [www.maximintegrated.com/max77640evkit](http://www.maximintegrated.com/max77640evkit) and navigate to *Design Resources* to download the latest version of the EV kit software. Save the EV kit software to a temporary folder and decompress the ZIP file.

### Windows Drivers

Upon connection of a micro-USB cable between your PC and the EV kit for the first time, wait a few minutes for Windows to automatically install the necessary drivers.

### Graphical User Interface (GUI) Details

The GUI drives I<sup>2</sup>C communication with the EV kit. Every control in the GUI (excluding the Load Control) corresponds directly to a register within the MAX77640/MAX77641. Refer to the [AN6516: MAX77640/MAX77641 Programmer's Guide](#) for a complete description of the registers. The Load Control and tabs provide additional functionality with the EV kit.

### Load Control Tab

The **Load Control** tab contains controls for setting load on the SIMO outputs. The GUI is capable of setting steady-state, transient, and random load currents. To set a load current, use the slider bar or text field to input a value (mA) and press the **Enable** button. Shuffle through the modes to exercise different load conditions. The offset and gain values are set by Maxim and do not need to be altered.

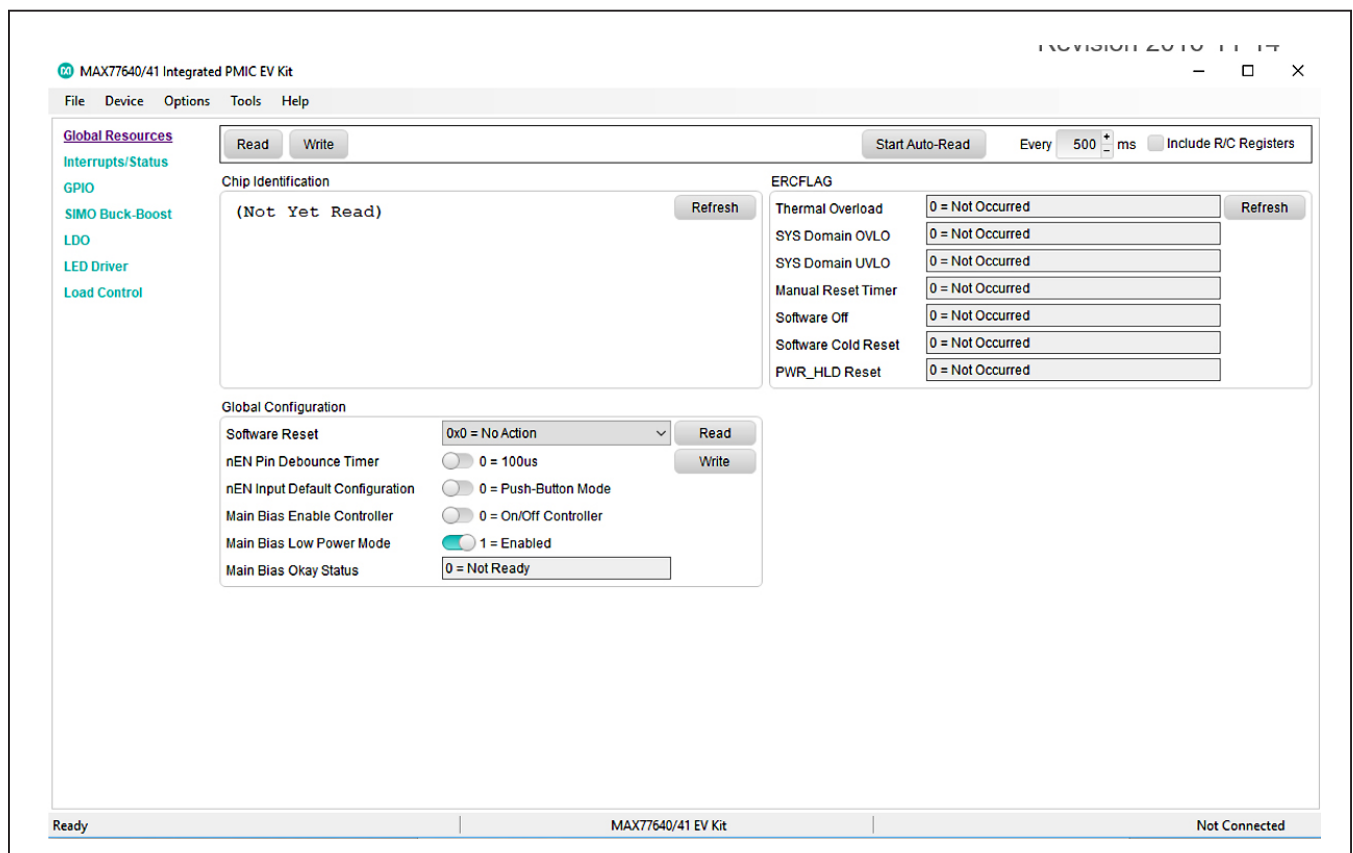


Figure 6. MAX77640/MAX77641 EV Kit GUI Top-Level Interface

Ordering Information

PART	IC	TYPE
MAX77640EVKIT#	MAX77640AEVW+	EV Kit
MAX77641EVKIT#	MAX77641AEVW+	EV Kit

+Denotes lead-free and RoHS compliant.

MAX77640/MAX77641 EV Kit Bill of Materials

REF_DES	DNI/DNP	MAX77640EVKIT QTY	MAX77641EVKIT QTY	MFG PART #	MANUFACTURER	VALUE	DESCRIPTION
C1, C30	-	2	2			22UF	CAPACITOR; SMT (0603); CERAMIC CHIP; 22UF; 10V; TOL=20%; MODEL=CL SERIES; TG=-55 DEGC TO +85 DEGC; TC=XSR; FORMFACTOR
C2, C31-C33	-	4	4			0.01UF	CAPACITOR; SMT (0402); CERAMIC CHIP; 0.01UF; 10V; TOL=10%; MODEL=C0402C SERIES; TG=-55 DEGC TO +125 DEGC; TC=X7R
C4	-	1	1	GRM155R71H332KA01	MURATA	3300PF	CAPACITOR; SMT (0402); CERAMIC CHIP; 3300PF; 50V; TOL=10%; TG=-55 DEGC TO +125 DEGC; TC=X7R
C5, C6, C8, C9, C13, C17, C20	-	7	7			10UF	CAPACITOR; SMT (0402); CERAMIC CHIP; 10UF; 6.3V; TOL=20%; MODEL=; TG=-55 DEGC TO +85 DEGC; TC=XSR; FORMFACTOR
C12, C110-C113, C115, C118, C120, C158, C239-C242	-	13	13			1UF	CAPACITOR; SMT (0402); CERAMIC CHIP; 1UF; 6.3V; TOL=20%; MODEL=C SERIES; TG=-55 DEGC TO +85 DEGC; TC=XSR; FORMFACTOR
C14, C108, C150, C151, C155-C157, C159, C202, C207, C212, C217, C221-C223	-	15	15			0.1UF	CAPACITOR; SMT (0402); CERAMIC CHIP; 0.1UF; 25V; TOL=10%; MODEL=C SERIES; TG=-55 DEGC TO +125 DEGC; TC=X7R; FORMFACTOR
C25, C27-C29	-	4	4			0.1UF	CAPACITOR; SMT; 0402; CERAMIC; 0.1uF; 10V; 10%; XSR; -55degC to +125degC; 0 +/-30PPM/degC; FORMFACTOR ;
C114	-	1	1			0.47UF	CAPACITOR; SMT; 0603; CERAMIC; 0.47uF; 10V; 10%; XSR; -55degC to +125degC ; FORMFACTOR
C152, C153	-	2	2	GRM1555C1H150FA01	MURATA	15PF	CAPACITOR; SMT (0402); CERAMIC CHIP; 15PF; 50V; TOL=1%; TG=-55 DEGC TO +125 DEGC; TC=COG
C154	-	1	1			4.7UF	CAPACITOR; SMT (0402); CERAMIC CHIP; 4.7UF; 10V; TOL=20%; MODEL=C SERIES; TG=-55 DEGC TO +85 DEGC; TC=XSR; FORMFACTOR
C200, C248, C250, C251	-	4	4	C1005X5R1H472K050	TDK	4700PF	CAPACITOR; SMT (0402); CERAMIC CHIP; 4700PF; 50V; TOL=10%; TG=-55 DEGC TO +85 DEGC; TC=XSR
C201, C206, C211, C216	-	4	4			1000PF	CAPACITOR; SMT (0402); CERAMIC CHIP; 1000PF; 50V; TOL=10%; MODEL=COG; TG=-55 DEGC TO +125 DEGC; TC=+; FORMFACTOR
C203, C204, C208, C209, C213, C214, C218, C219	-	8	8	C0402C180J5GAC; GRM1555C1H180JA01J;C1005COG1H180J050	KEMET/MURATA/TDK	18PF	CAPACITOR; SMT (0402); CERAMIC CHIP; 18PF; 50V; TOL=5%; TG=-55 DEGC TO +125 DEGC; TC=COG
D100, D101	-	2	2	LTST-C190YKT	LITE-ON ELECTRONICS; INC.	LTST-C190YKT	DIODE; LED; STANDARD; YELLOW; SMT (0603); PIV=5.0V; IF=0.02A; -55 DEGC TO +85 DEGC
D102, D103	-	2	2	LTST-C190CKT	LITE-ON ELECTRONICS; INC.	LTST-C190CKT	DIODE; LED; STANDARD; RED; SMT (0603); PIV=5.0V; IF=0.04A; -55 DEGC TO +85 DEGC
DS1	-	1	1	19-337/R6GHBHC-A01/2T	EVERLIGHT	19-337/R6GHBHC-A01/2T	DIODE; LED; SMD-B; RED/GREEN/BLUE; SMT; PIV=2V-3.3V; IF=0.02A
LDO, SB80-SBB2, VSYS, INLDO, EN_EXT	-	7	7	5010	KEYSTONE		TESTPOINT WITH 1.80MM HOLE DIA, RED, MULTIPURPOSE;
FB100	-	1	1	BLM18PG2215N1	MURATA	220	INDUCTOR; SMT (0603); FERRITE-BEAD; 220; TOL=+/-25%; 1.4A; -55 DEGC TO +125 DEGC
GND1, GND5-GND7	-	4	4	5011	KEYSTONE		TEST POINT; PIN DIA=0.125IN; TOTAL LENGTH=0.445IN; BOARD HOLE=0.063IN; BLACK; PHOSPHOR BRONZE WIRE SILVER PLATE FINISH;
GND2-GND4, GND8	-	4	4	9020 BUSS	WEICO WIRE	MAXIMPAD	EVK KIT PARTS; MAXIM PAD; WIRE; NATURAL; SOLID; WEICO WIRE; SOFT DRAWN BUS TYPE S; 20AWG
NEN, SCL, SDA, GPIO, NIRO, NRST, PWRHLD	-	7	7	5002	KEYSTONE		TEST POINT; PIN DIA=0.1IN; TOTAL LENGTH=0.3IN; BOARD HOLE=0.04IN; WHITE; PHOSPHOR BRONZE WIRE SILVER;
J2	-	1	1	PBC10SAAN	SULLINS ELECTRONICS CORP.	PBC10SAAN	CONNECTOR; MALE; THROUGH HOLE; BREAKAWAY; STRAIGHT; 10PINS; -65 DEGC TO +125 DEGC
J3-J5	-	3	3	TSW-103-07-T-S	SAMTEC	TSW-103-07-T-S	CONNECTOR; THROUGH HOLE; TSW SERIES; SINGLE ROW; STRAIGHT; 3PINS
J6	-	1	1	10103592-0001LF	FCI CONNECT	10103592-0001LF	CONNECTOR; FEMALE; SMT; MICRO USB B-TYPE REVERSE; RIGHT ANGLE; 5PINS
J8, J200-J207	-	9	9	TSW-102-07-T-S	SAMTEC	TSW-102-07-T-S	CONNECTOR; THROUGH HOLE; TSW SERIES; SINGLE ROW; STRAIGHT; 2PINS; -55 DEGC TO +105 DEGC
J100	-	1	1	PBC06SAAN	SULLINS ELECTRONICS CORP.	PBC06SAAN	CONNECTOR; MALE; THROUGH HOLE; BREAKAWAY; STRAIGHT; 6PINS; -65 DEGC TO +125 DEGC
J101	-	1	1	TSW-102-26-T-T	SAMTEC	TSW-102-26-T-T	CONNECTOR; THROUGH HOLE; TSW SERIES; TRIPLE ROW; STRAIGHT; 6PINS
L1	-	1	1	DFE201210U-1R5M-P2	TOKO	1.5UH	EVKIT PART-INDUCTOR; SMT (0805); METAL ALLOY CHIP; 1.5UH; TOL=+/-20%; 1.9A; 2.00MMX1.20MMX1.00MM
L3	-	1	1	CIGT201208EH2R2MN	SAMSUNG ELECTRONICS	2.2UH	EVKIT PART-INDUCTOR; SMT (0805); METAL COMPOSITE CORE; 2.2UH; TOL=+/-20%; 1.8A; 2.00MMX1.25MMX0.80MM
L4	-	1	1	CIGT201610EH2R2MN	SAMSUNG ELECTRONICS	2.2UH	EVKIT PART-INDUCTOR; SMT (0806); METAL COMPOSITE CORE; 2.2UH; TOL=+/-20%; 2.7A; 2.00MMX1.60MMX1.00MM
L5	-	1	1	DFE252007F-2R2M-P2	MURATA	2.2UH	EVKIT PART-INDUCTOR; SMT (1008); METAL ALLOY CHIP; 2.2UH; TOL=+/-20%; 1.7A; 2.50MMX2.00MMX0.70MM
Q1	-	1	1	FDY300NZ	FAIRCHILD SEMICONDUCTOR	FDY300NZ	TRAN; SINGLE N-CHANNEL 2.5V SPECIFIED POWERTRENCH MOSFET; NCH; SC89; PD-(0.625W); I(0.6A); V(20V)
Q200-Q203	-	4	4	IRFHM8337TRPBF	INTERNATIONAL RECTIFIER	IRFHM8337TRPBF	TRAN; HEXFET POWER MOSFET; NCH; PQFN8; PD-(2.8W); I-(18A); V-(30V)



MAX77640/MAX77641 EV Kit Bill of Materials (continued)

REF_DES	DNI/DNP	MAX77640EVKIT QTY	MAX77641EVKIT QTY	MFG PART #	MANUFACTURER	VALUE	DESCRIPTION
R1, R3, R14, R115, R157, R159, R214, R283	-	8	8			100K	RESISTOR; 0402; 100K; 1%; 100PPM; 0.0625W; THICK FILM; FORMFACTOR
R2, R10	-	2	2	CRW040210K0FK; RC0402FR-0710K	VISHAY DALE; YAGEO PHICOMP	10K	RESISTOR; 0402; 10K; 1%; 100PPM; 0.0625W; THICK FILM
R6-R9, R142	-	5	5			0	RESISTOR; 0603; 0 OHM; 0%; JUMPER; 0.10W; THICK FILM; FORMFACTOR
R11, R17, R135, R136, R143, R148, R152, R155, R162-R164, R204, R225, R238, R251, R305, R306	-	17	17			0	RESISTOR; 0402; 0 OHM; 1%; 100PPM; 0.0625W; THICK FILM; FORMFACTOR
R16	-	1	1	CRW0402150RFK; 9C04021A1500FL	VISHAY DALE	150	RESISTOR; 0402; 150 OHM; 1%; 100PPM; 0.0625W; THICK FILM
R100, R118	-	2	2			4.7K	RESISTOR; 0402; 4.7K OHM; 1%; 100PPM; 0.0625W; THICK FILM; FORMFACTOR
R103, R123, R150	-	3	3			22	RESISTOR; 0402; 22 OHM; 1%; 100PPM; 0.0625W; THICK FILM; FORMFACTOR
R107, R108	-	2	2			2.2K	RESISTOR; 0402; 2.2K OHM; 1%; 100PPM; 0.0625W; THICK FILM; FORMFACTOR
R109, R111	-	2	2			100	RESISTOR; 0402; 100 OHM; 1%; 100PPM; 0.0625W; THICK FILM; FORMFACTOR
R110, R161	-	2	2	CRW0402470RFK	VISHAY DALE	470	RESISTOR; 0402; 470 OHM; 1%; 100PPM; 0.0625W; THICK FILM
R122	-	1	1	ANY	ANY	1M	RESISTOR; 0603; 1M; 1%; 100PPM; 0.10W; THICK FILM; FORMFACTOR
R156	-	1	1	CRW0402105KFK	VISHAY DALE	105K	RESISTOR; 0402; 105K OHM; 1%; 100PPM; 0.063W; THICK FILM
R158	-	1	1	CRW0402169KFK	VISHAY DALE	169K	RESISTOR; 0402; 169K OHM; 1%; 100PPM; 0.063W; THICK FILM
R160	-	1	1	CRW04024752FK; 9C04021A4752FLHF3; CRCW040247K5FK	VISHAY DALE	47.5K	RESISTOR; 0402; 47.5K; 1%; 100PPM; 0.0625W; THICK FILM
R201, R222, R235, R248	-	4	4	CRW0402100RFK; 9C04021A1000FL; RC0402FR-07100RL	VISHAY DALE; PANASONIC; YAGEO PHYCOMP	100	RESISTOR; 0402; 100 OHM; 1%; 100PPM; 0.063W; THICK FILM
R202, R223, R236, R249	-	4	4	CRW0402680RFK; RC0402FR-07680RL	VISHAY DALE/YAGEO PHICOMP	680	RESISTOR; 0402; 680 OHM; 1%; 100PPM; 0.0625W; THICK FILM
R203, R224, R237, R250	-	4	4	CRW040220K0FK	VISHAY DALE	20K	RESISTOR; 0402; 20K OHM; 1%; 100PPM; 0.063W; THICK FILM
R205, R206, R226, R228, R239, R240, R252, R253	-	8	8	CRW04024991FK	VISHAY DALE	4.99K	RESISTOR; 0402; 4.99K; 1%; 100PPM; 0.0625W; THICK FILM
R207, R208, R229, R230, R242, R243, R254, R255	-	8	8	ANY	ANY	1K	RESISTOR; 0402; 1K; 1%; 100PPM; 0.0625W; THICK FILM; FORMFACTOR
R210, R231, R244, R257	-	4	4	CRW04021M00FK	VISHAY DALE	1M	RESISTOR; 0402; 1M; 1%; 100PPM; 0.0625W; THICK FILM
R211, R233, R245, R258	-	4	4	ERJ-3RCF1R0V	PANASONIC	1	RESISTOR; 0603; 1 OHM; 1%; 100PPM; 0.10W; THICK FILM
R293, R295, R297, R299	-	4	4	ERJ-2RKF4703X	PANASONIC	470K	RESISTOR; 0402; 470K OHM; 1%; 100PPM; 0.0625W; THICK FILM
R294, R296, R298, R300	-	4	4	CRW0402649KFK	VISHAY DALE	649K	RESISTOR; 0402; 649K OHM; 1%; 100PPM; 0.063W; THICK FILM
SW1	-	1	1	EVQ-Q2K03W	PANASONIC	EVQ-Q2K03W	SWITCH; SPST; SMT; 12V; 0.02A; LIGHT TOUCH SWITCH; RCOIL= OHM; RINSULATION= OHM; PANASONIC
SW2	-	1	1	CL-SB-12B-11	NIDEC COPAL ELECTRONICS CORP	CL-SB-12B-11	SWITCH; SPDT; SMT; 12V; 0.02A; CL-SB SERIES; SLIDE SWITCH; RCOIL=0.05 OHM; RINSULATION=100M OHM; NIDEC COPAL ELECTRONICS CORP
U1(MAX77640)	DNI	1	0	MAX77640AEWV+	MAXIM	MAX77640	EVKIT PART-IC; WLP30; PACKAGE CODE: W302H2+1; CL30_SIMO
U1(MAX77641)	DNI	0	1	MAX77641AEWV+	MAXIM	MAX77641	EVKIT PART-IC; WLP30; PACKAGE CODE: W302H2+1; CL30_SIMO
U100	-	1	1	MAXQ2000-RBX+	MAXIM	MAXQ2000-RBX+	IC, CTRL; LOW-POWER LCD MICROCONTROLLER; TQFN56-EP 8X8
U101	-	1	1	FT232RQ	FUTURE TECHNOLOGY DEVICES INTL LTD.	FT232RQ	IC, INFC; UART INTERFACE IC USB TO SERIAL; QFN32-EP 5X5
U102-U104	-	3	3	MAX8512EXX	MAXIM	MAX8512EXX	IC, VREG, Ultra-Low-Noise, High PSRR, Adjustable Vout, SC70-5
U107	-	1	1	MAX3395ETC	MAXIM	MAX3395ETC	IC, TRANS, 15KV ESD-PROTECTED HIGH-DRIVE CURRENT QUAD-LEVEL TRANSLATOR WITH SPEED-UP CIRCUITRY; TQFN12 4X4
U108	-	1	1	24AA02T-I/OT	MICROCHIP	24AA02T-I/OT	IC, EPROM; 2K I2C SERIAL EEPROM; SOT23-5
U200-U203	-	4	4	MAX44251AUA+	MAXIM	MAX44251AUA+	IC, OPAMP; ULTRA-PRECISION; LOW-NOISE OP AMP; UM4X8
U205	-	1	1	MAX5815AUAU+	MAXIM	MAX5815AUAU+	IC, DAC; ULTRA-SMALL; QUAD-CHANNEL; 12-BIT BUFFERED OUTPUT DAC WITH INTERNAL REFERENCE AND I2C INTERFACE; TSSOP14
VIL_LDO, VIL_SBB0-VIL_SBB2	-	4	4	5000	KEYSTONE		TEST POINT; PIN DIA=0.1IN; TOTAL LENGTH=0.3IN; BOARD HOLE=0.04IN; RED; PHOSPHOR BRONZE WIRE SILVER PLATE FINISH;
Y101	-	1	1	CX3225S816000D0FUZZ	KYOCERA-KINSEKI	16MHZ	CRYSTAL_SMT (3225) 3.2X2.5; 8PF; 16MHZ; +/-10PPM; +/-15PPM
PCB	-	1	1	MAX77640EVKIT_REVA	MAXIM	PCB	PCB-MAX77640EVKIT_REVA
L2	DNP	0	0	MPL1608VR47D	TDK	0.47UH	INDUCTOR; SMT (0603); SHIELDED; 0.47UH; TOL=+/-0.3nH; 0.8A
C18, C19, C21-C24, C26	DNI/DNP	0	0			OPEN	CAPACITOR; SMT (0402); OPEN; FORMFACTOR

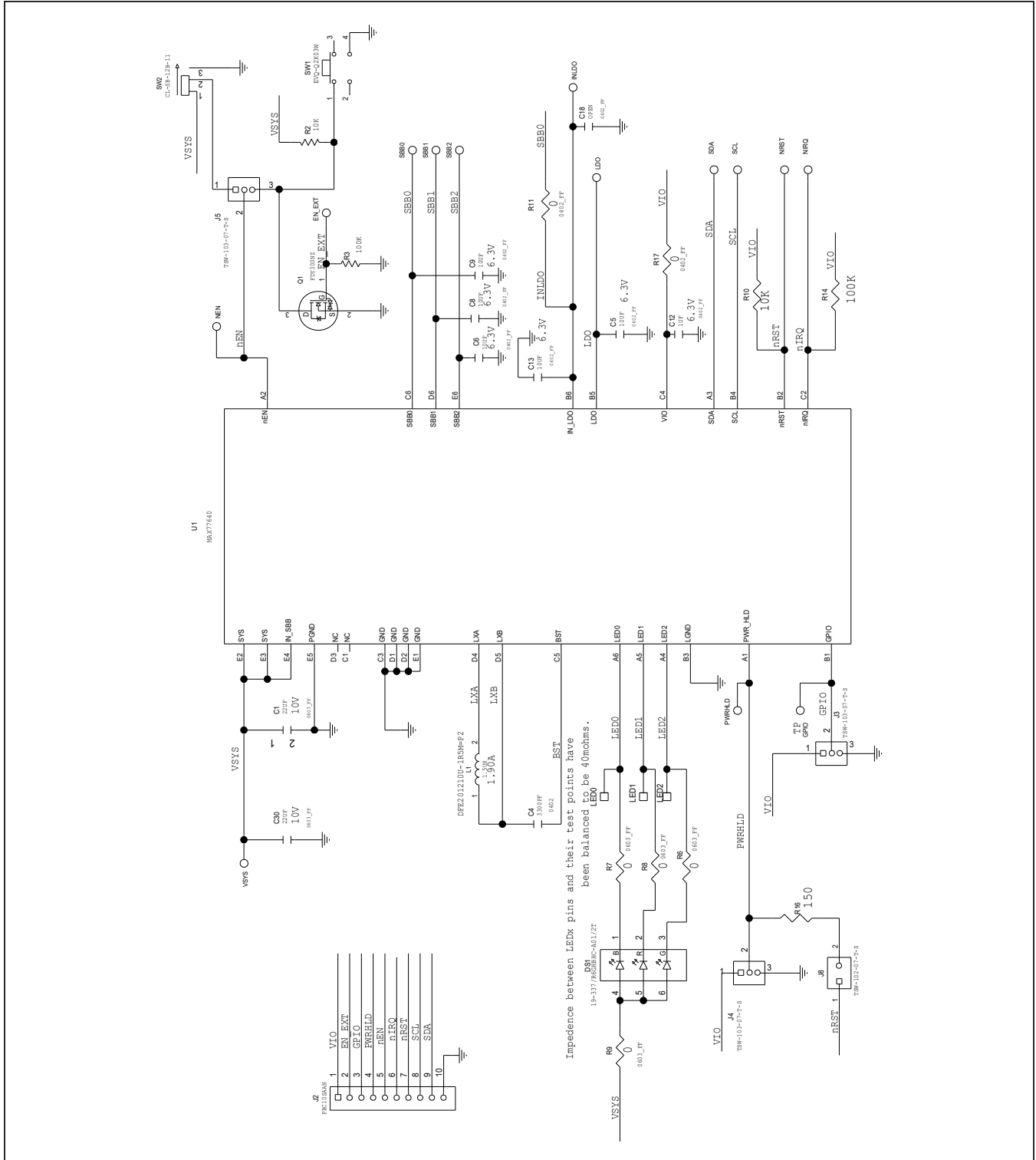
NOTE: DNI--> DO NOT INSTALL (PACKOUT); DNP--> DO NOT PROCURE

## MAX77640/MAX77641 EV Kit Schematic

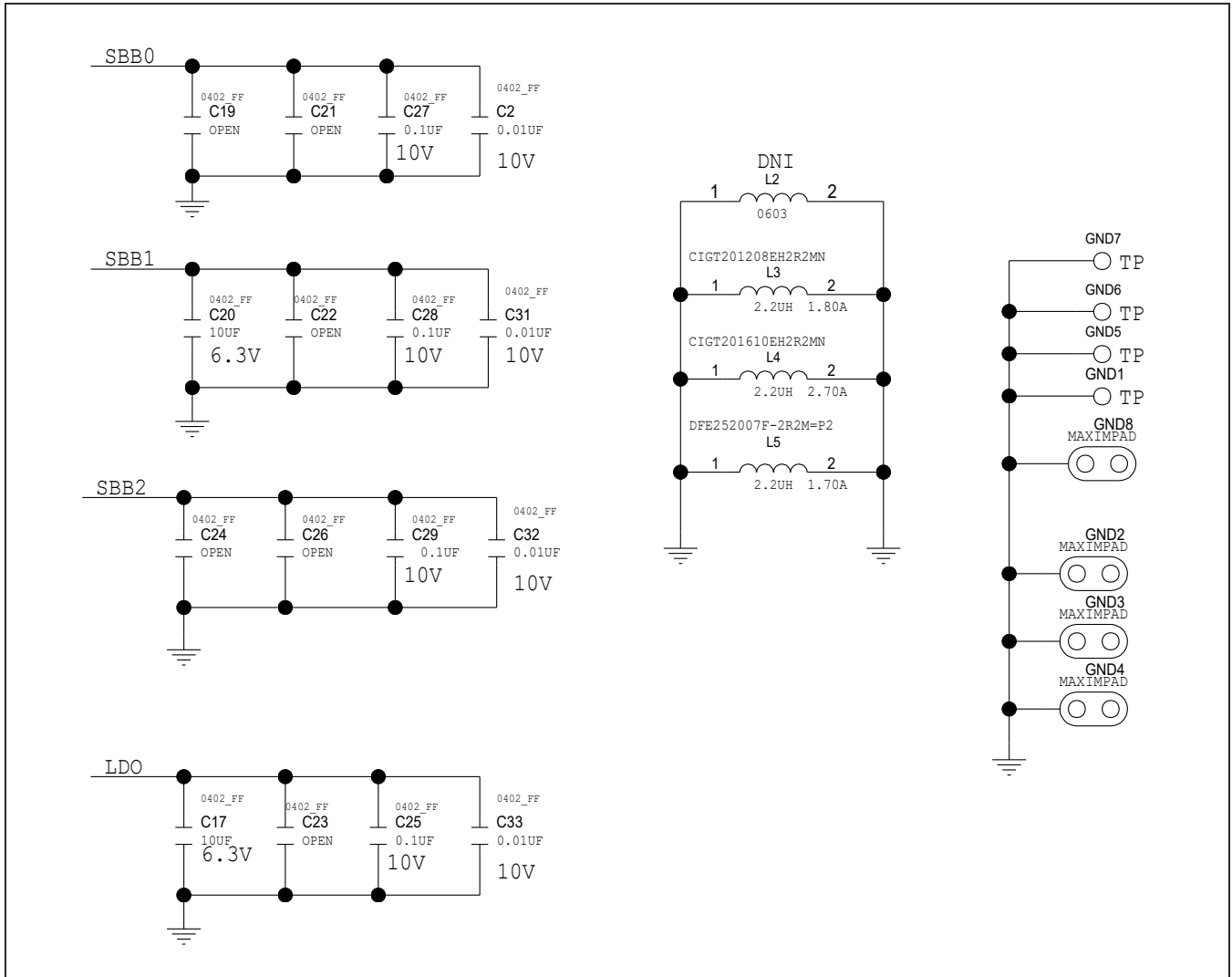
Part Number	Configuration	7-bit	8-bit Write	8-bit Read
MAX77640 (PMIC)	ADDR OTP bit set for 0	0x40 0b100 0000	0x80 0b1000 0000	0x81 0b1000 0001
MAX77640 (PMIC)	ADDR OTP bit set for 1	0x48 0b100 1000	0x90 0b1001 0000	0x91 0b1001 0001
MAX77640 (PMIC)	Maxim internal test mode	0x49 0b100 1001	0x92 0b1001 0010	0x93 0b1001 0011
MAX5815 (DAC)	ADDR1=ADDR0=GND	0x1F 0b001 1111	0x3E 0b0011 1110 0x10* 0b0001 0000	0x3F 0b0011 1111
24AA02 (EEPROM)	N/A	0x50 to 0x57 0b1010xxx	0b1010xxx0	0b1010xxx1

\*MAX5815 ALSO RESPONDS TO AN I2C BROADCAST ADDRESS 0b0001 0000

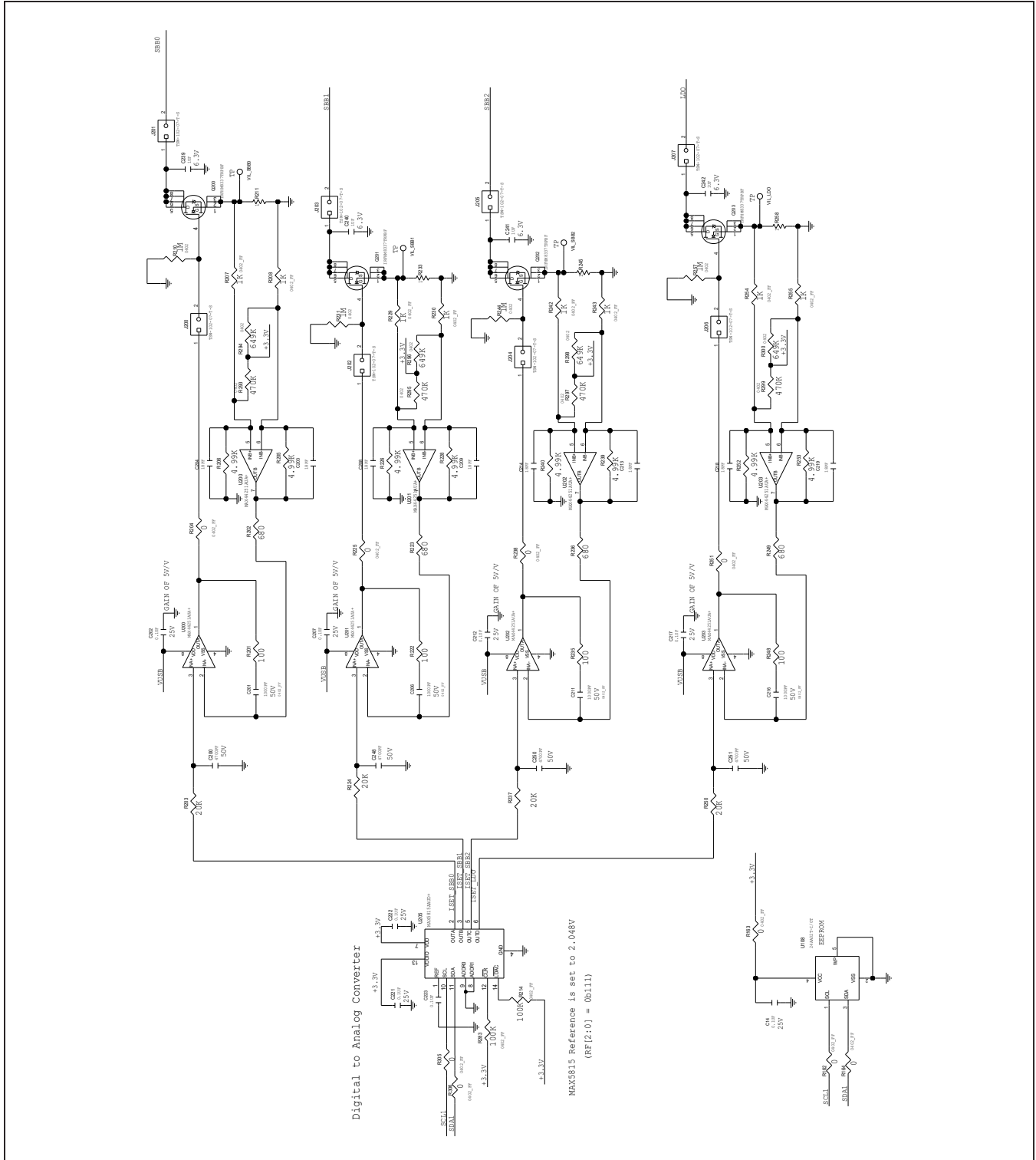
MAX77640/MAX77641 EV Kit Schematic (continued)



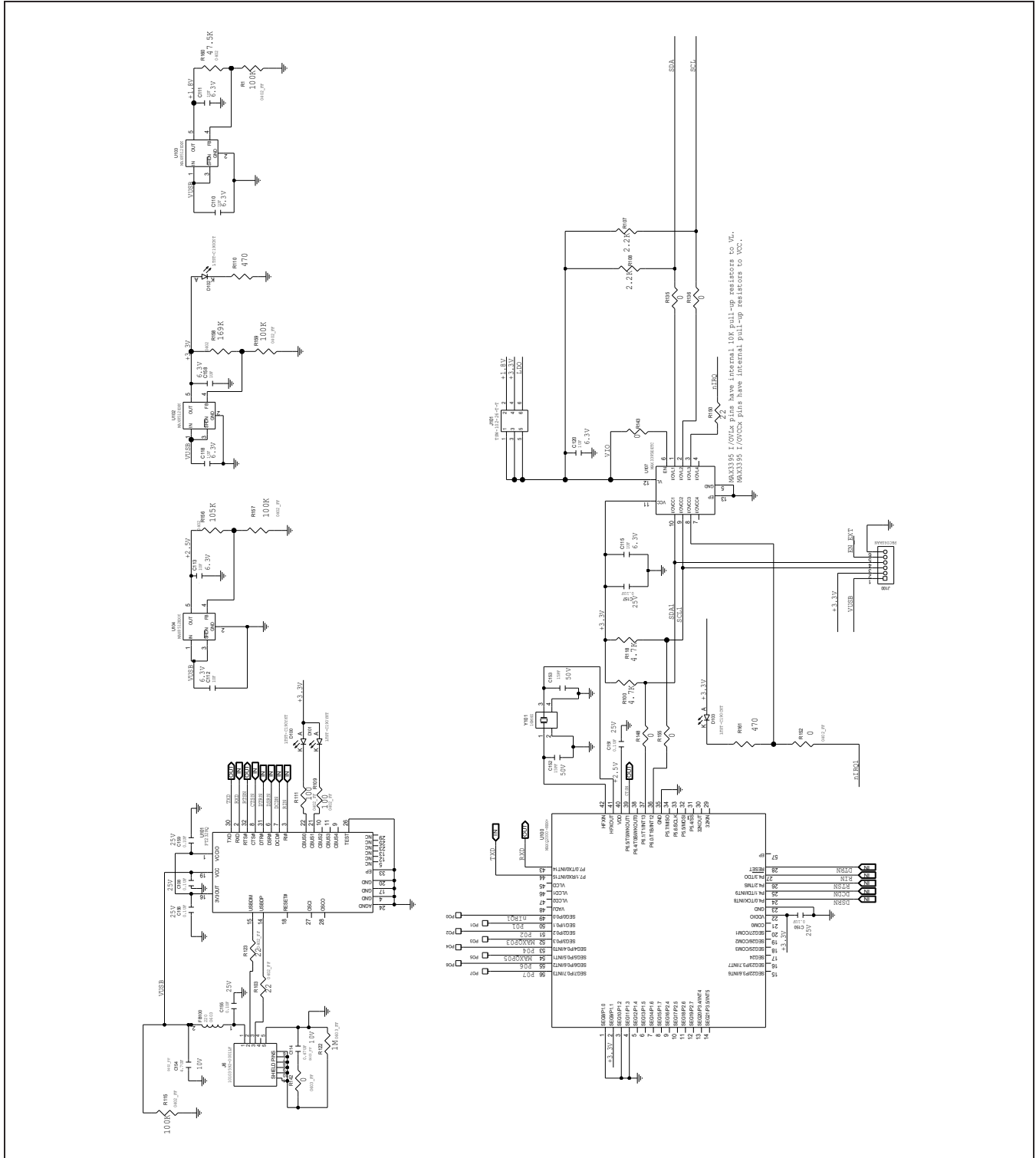
MAX77640/MAX77641 EV Kit Schematic (continued)



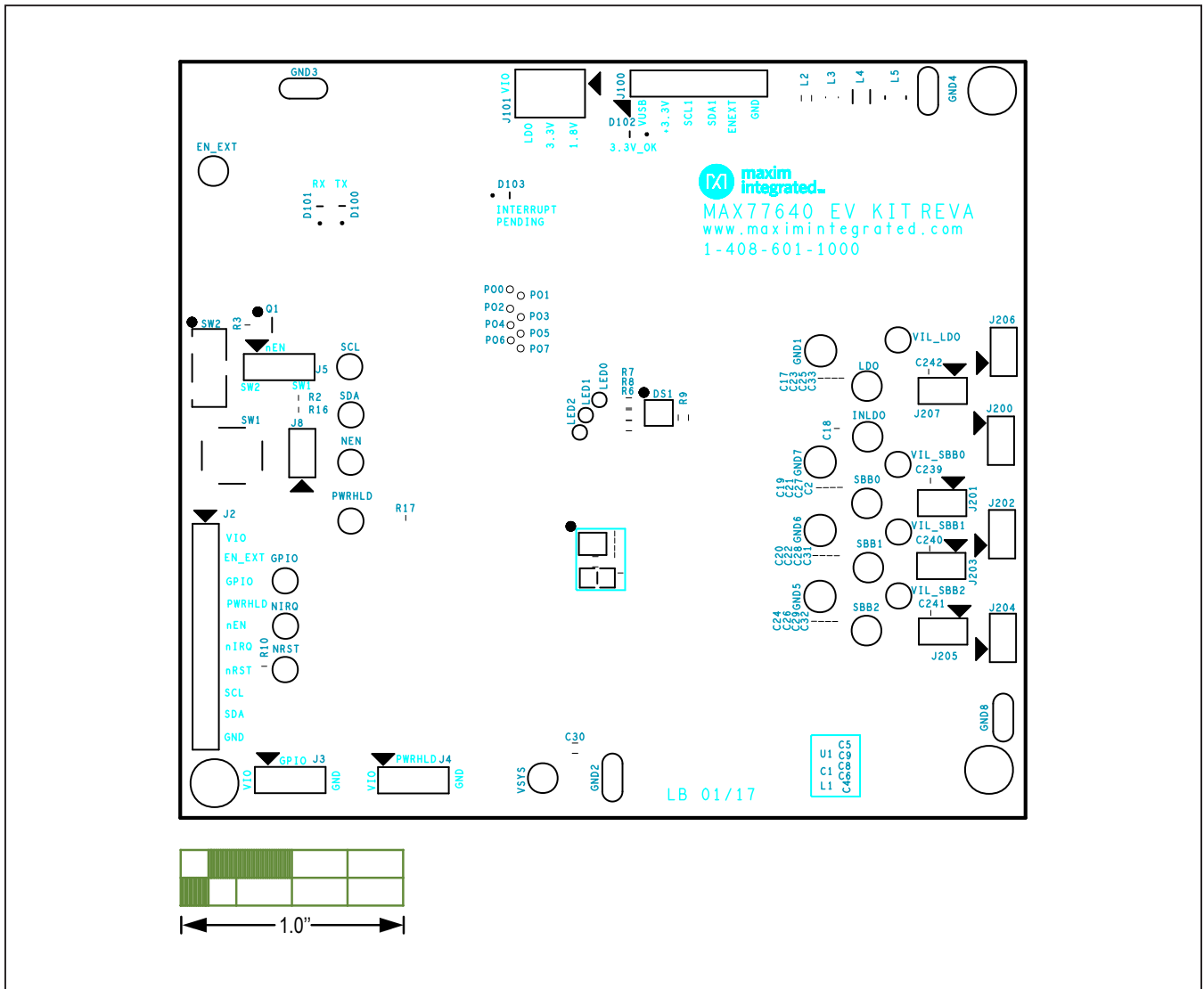
MAX77640/MAX77641 EV Kit Schematic (continued)



MAX77640/MAX77641 EV Kit Schematic (continued)

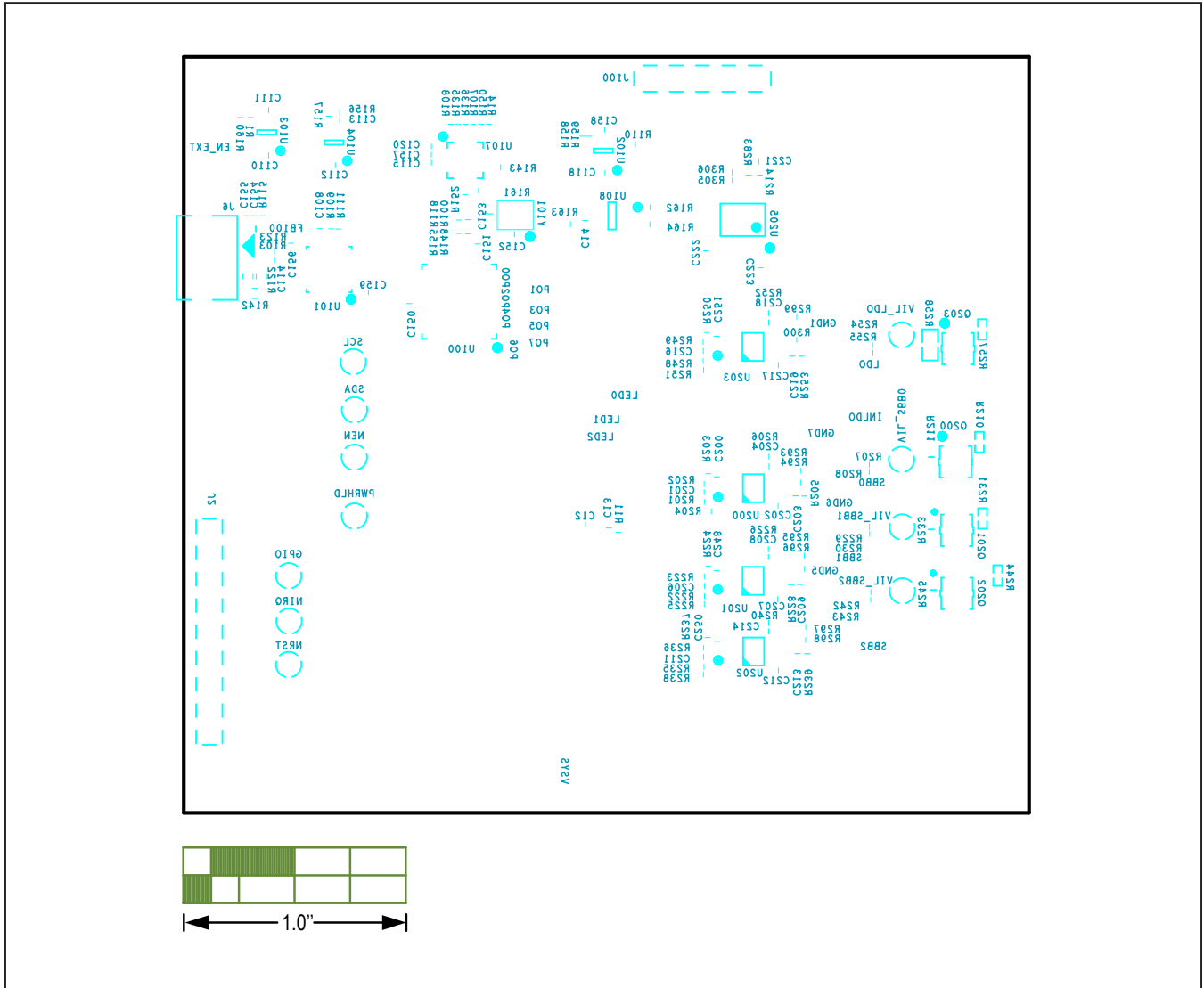


MAX77640/MAX77641 EV Kit PCB Layouts



MAX77640/MAX77641 EV Kit Component Placement Guide—Top Silkscreen

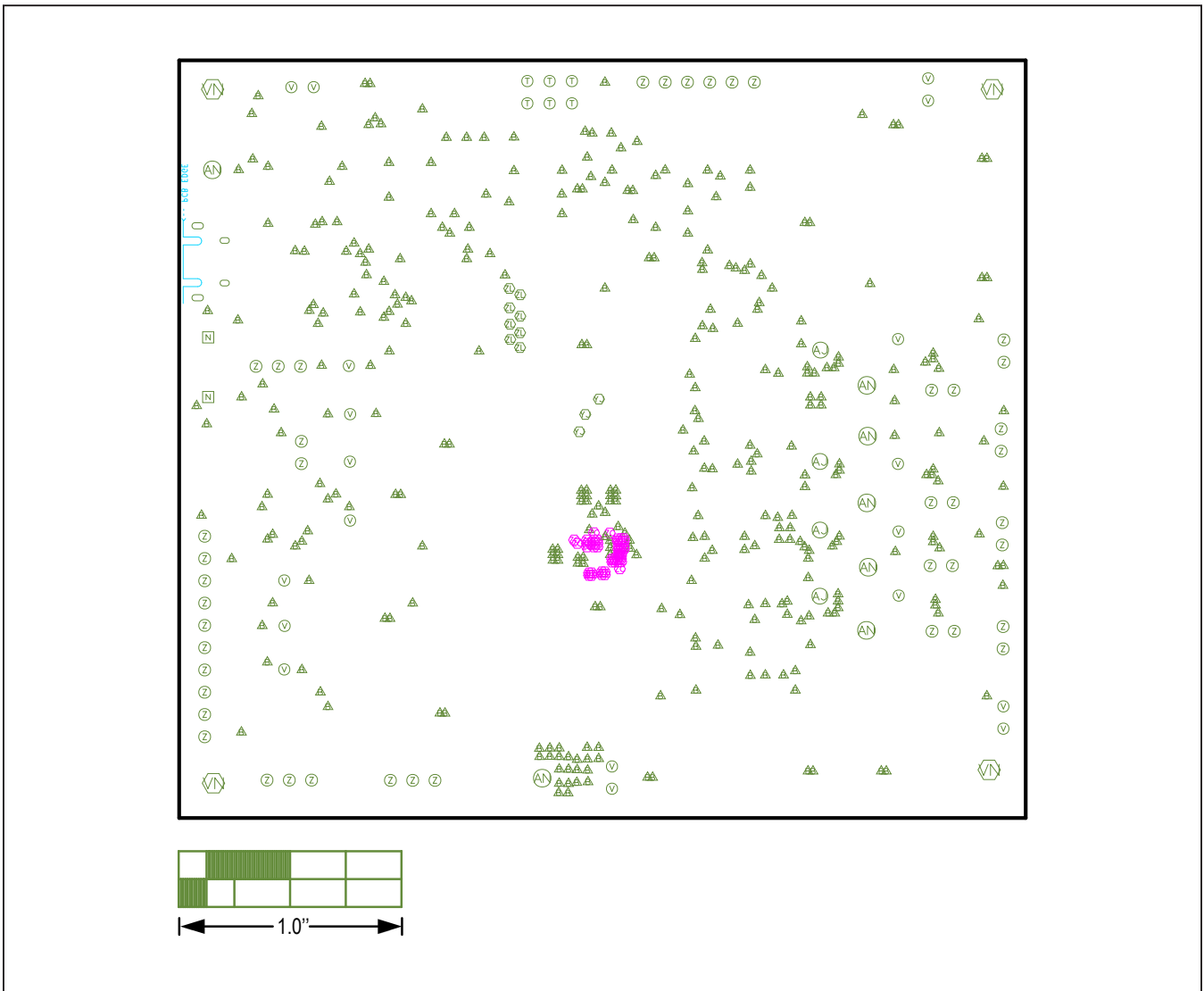
MAX77640/MAX77641 EV Kit PCB Layouts (continued)



MAX77640/MAX77641 EV Kit Component Placement Guide—Bottom Silkscreen

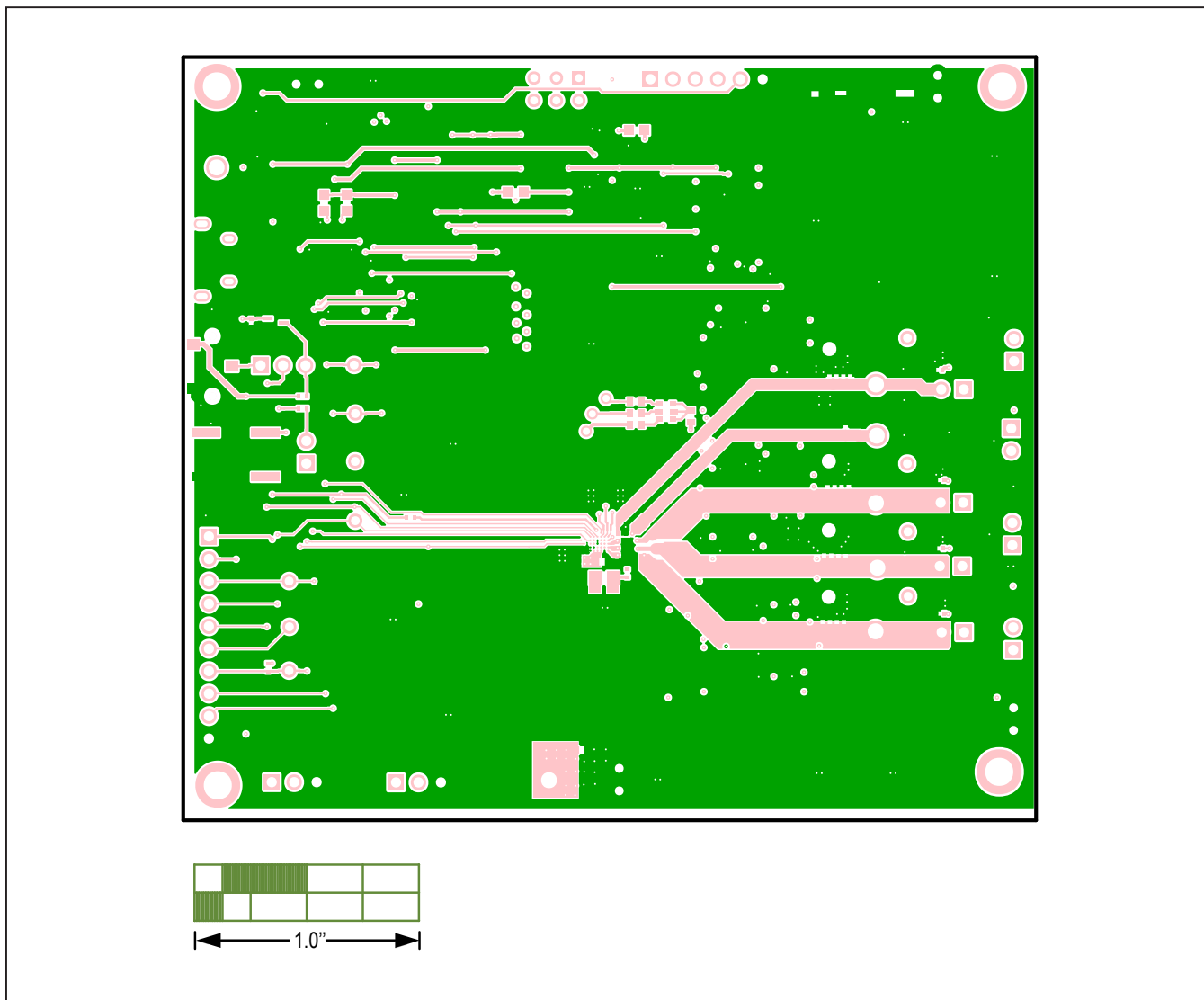


MAX77640/MAX77641 EV Kit PCB Layouts (continued)



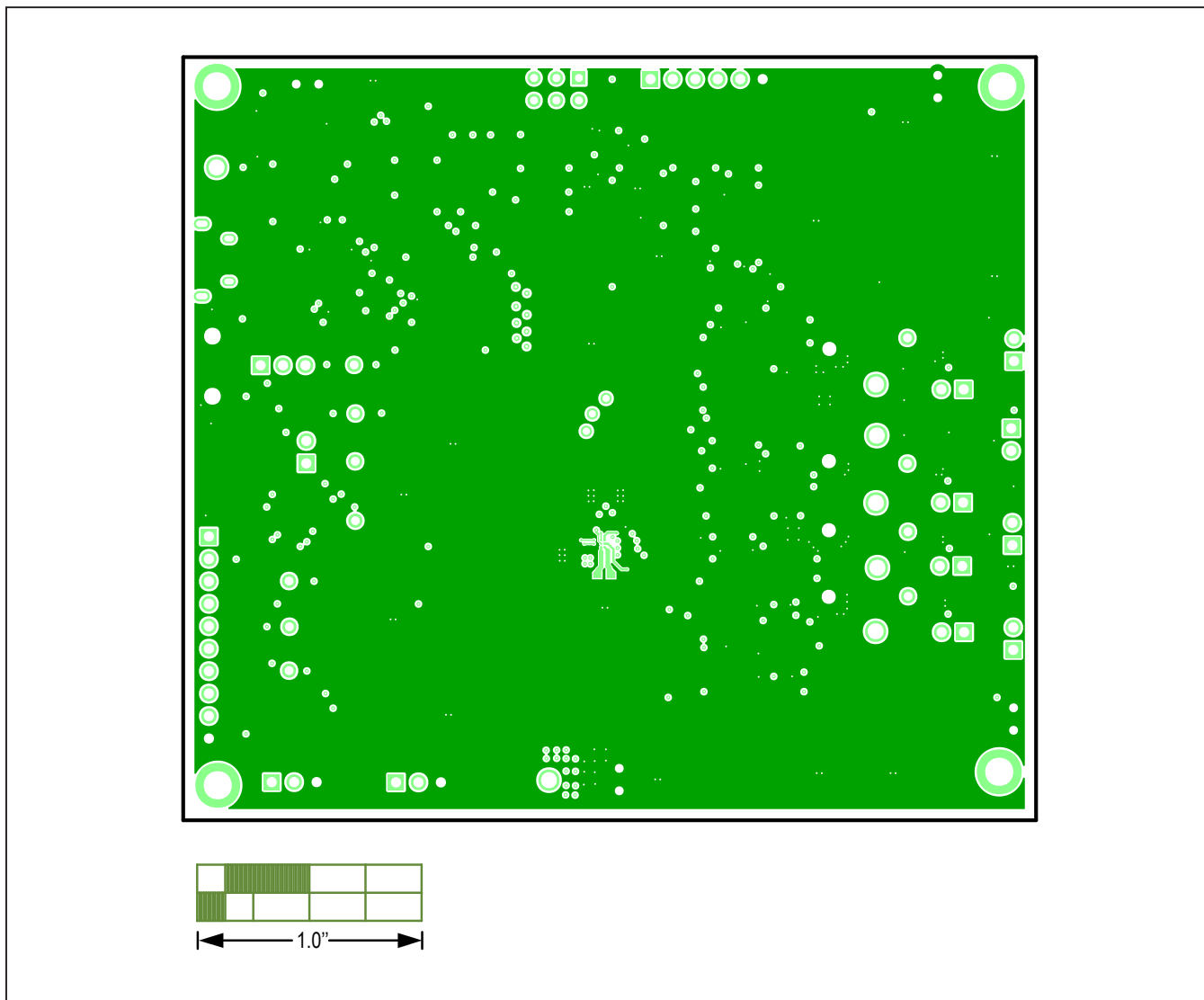
MAX77640/MAX77641 EV Kit PCB Layout—Fab Notes

MAX77640/MAX77641 EV Kit PCB Layouts (continued)



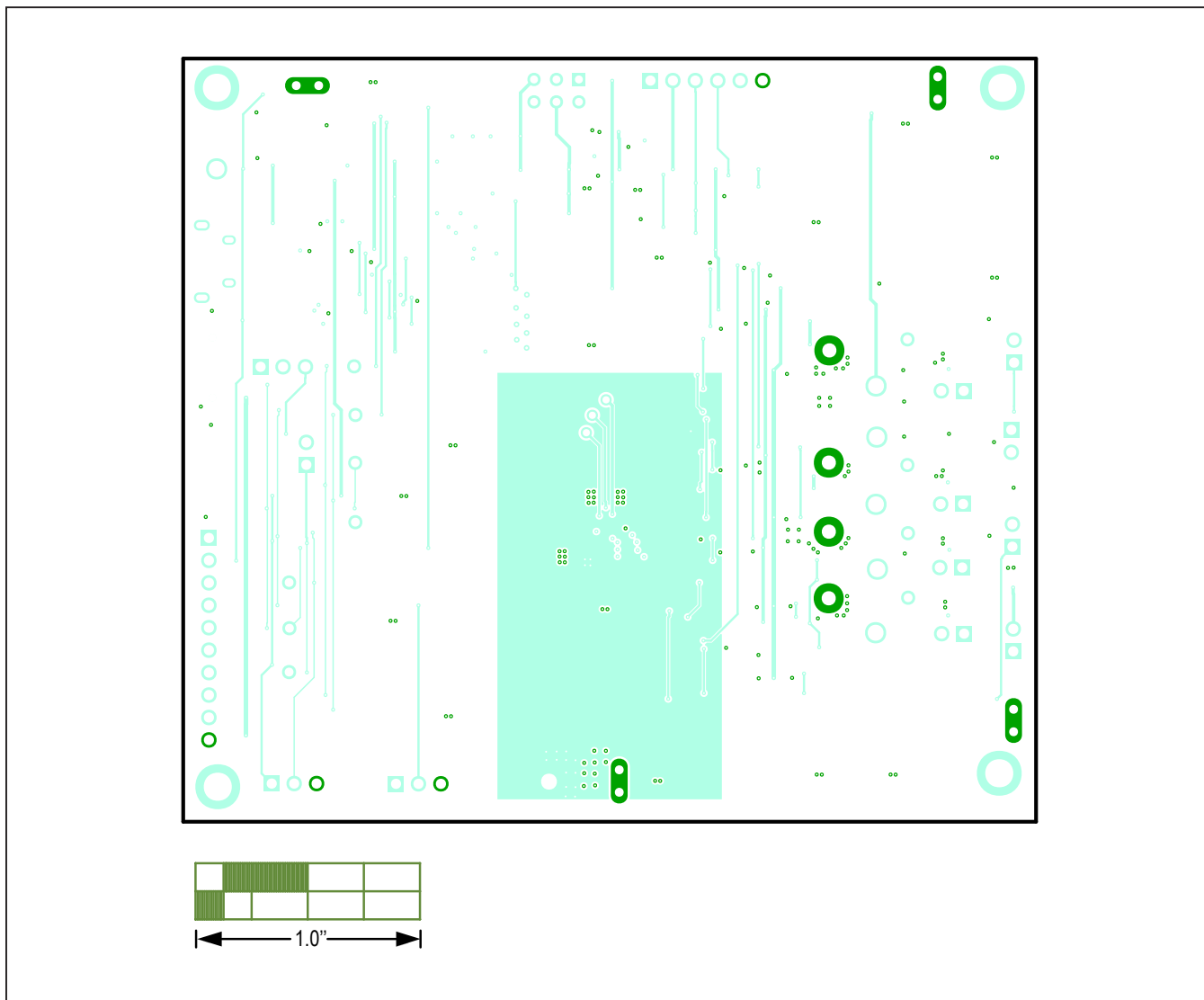
MAX77640/MAX77641 EV Kit PCB Layout—Top Layer

MAX77640/MAX77641 EV Kit PCB Layouts (continued)



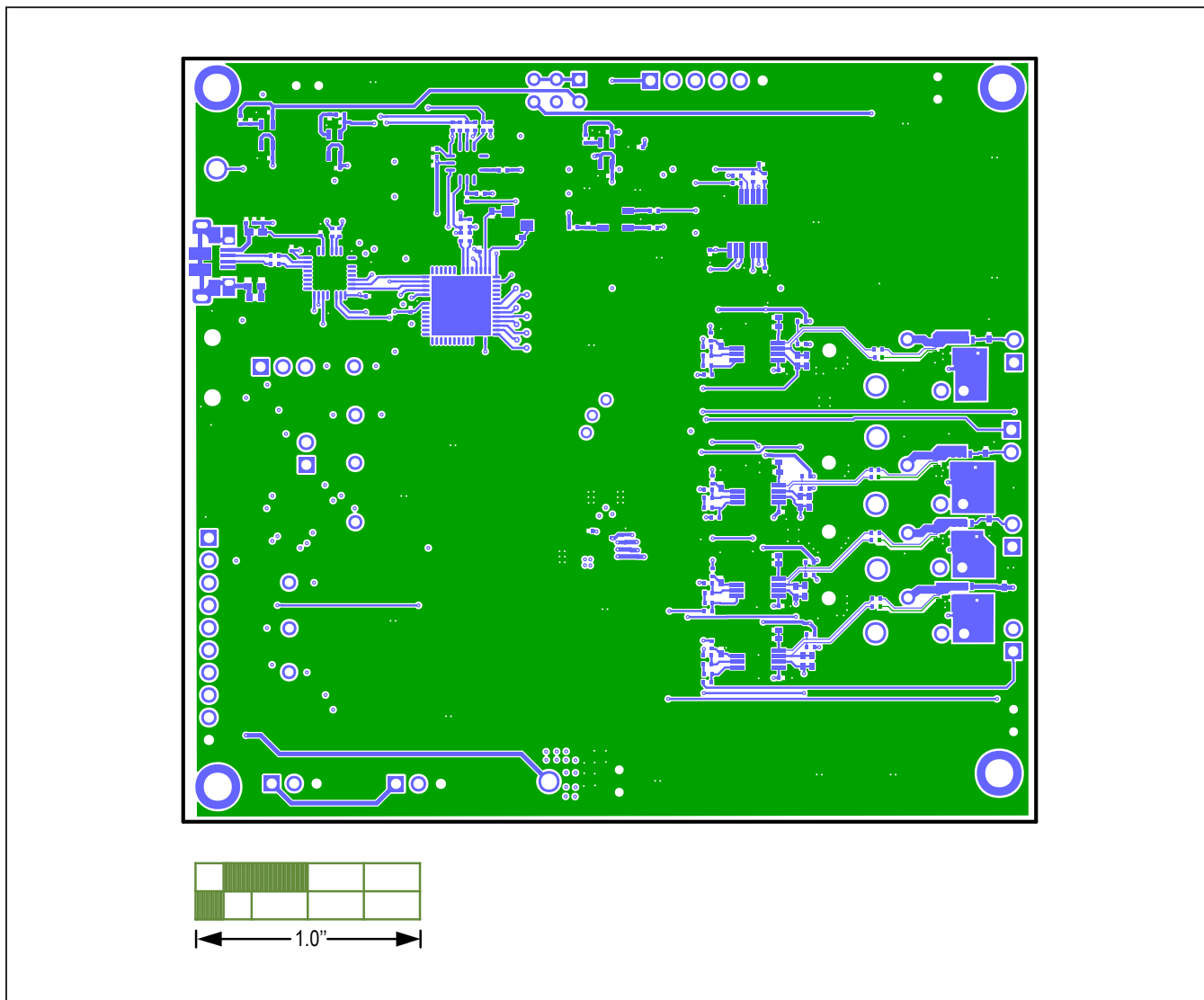
MAX77640/MAX77641 EV Kit PCB Layout—Internal Layer 2

**MAX77640/MAX77641 EV Kit PCB Layouts (continued)**



MAX77640/MAX77641 EV Kit PCB Layout—Internal Layer 3

MAX77640/MAX77641 EV Kit PCB Layouts (continued)



MAX77640/MAX77641 EV Kit PCB Layout—Bottom