



MAX9759 Evaluation Kit

Evaluates: MAX9759

General Description

The MAX9759 evaluation kit (EV kit) is a fully assembled and tested surface-mount circuit board that uses the MAX9759 to drive a mono bridge-tied-load (BTL) speaker in portable audio applications. Designed to operate from a 3.0V to 5.5V DC power supply, the EV kit is capable of delivering 3.2W of continuous power into a 4Ω load.

The MAX9759 EV kit accepts differential or single-ended input signals, provides an option to select between different switching frequency modes of operation, and allows for external clock synchronization of multiple, Maxim Class D amplifiers.

Ordering Information

PART	TEMP RANGE	IC PACKAGE
MAX9759EVKIT	0°C to +70°C	16 TQFN-EP*

*EP = Exposed Paddle.

Features

- ◆ 3.2W Continuous Power into 4Ω Load
- ◆ Filterless Amplifier Passes FCC Radiated Emissions Standards with 7.6cm of Cable
- ◆ 92% Efficiency
- ◆ High PSRR (81dB at 1kHz)
- ◆ Low 0.02% THD+N
- ◆ External Clock Synchronization for Multiple, Cascaded Maxim Class D Amplifiers
- ◆ Logic-Selectable Gain (6dB, 12dB, 18dB, 24dB)
- ◆ 3.0V to 5.5V Single-Supply Operation
- ◆ Integrated Click-and-Pop Suppression
- ◆ Low-Power Shutdown Mode (0.1μA)
- ◆ Mute Function
- ◆ Short-Circuit and Thermal-Overload Protection
- ◆ Fully Assembled and Tested Surface-Mount Board

Component List

DESIGNATION	QTY	DESCRIPTION
C1, C2	2	1μF ±10%, 10V X5R ceramic capacitors (0603) TDK C1608X5R1A105K
C3, C4, C5	3	0.1μF ±10%, 16V X7R ceramic capacitors (0603) TDK C1608X7R1C104K
C6	1	1000pF ±10%, 50V X7R ceramic capacitor (0603) TDK C1608X7R1H102K
C7	1	100pF ±5%, 50V C0G ceramic capacitor (0603) TDK C1608C0G1H101J
C8, C9	0	Not installed, capacitors (0603)
C10, C11, C14	0	Not installed, capacitors (0603)
C12, C13	0	Not installed, capacitors (0603)
C15	1	10μF ±20%, 6.3V X5R ceramic capacitor (0805) TDK C2012X5R0J106M
C16, C17	2	100pF ±5%, 50V C0G ceramic capacitors (0402) TDK C1005C0G1H101J
JU1–JU4	4	3-pin headers

DESIGNATION	QTY	DESCRIPTION
JU5	1	2-pin header
JU6	1	5-pin header
L1, L2	0	Not installed, inductors TOKO D53LC series
L3, L4	2	100Ω ±25%, 1.7A ferrite beads (0603) Taiyo Yuden BKP1608HS101
L5	1	Ferrite bead, 100Ω at 100MHz, 50mΩ DCR, 3A (0603) TDK MPZ1608S101A
R1	1	49.9Ω ±1% resistor (0603)
R2, R3	0	Not installed, resistors (0603)
T1	0	Not installed, common-mode choke 50VDC, 1ADC, 800Ω at 100MHz recommended TDK ACM4532-801-2P-X
U1	1	MAX9759ETE (16-pin TQFN, 4mm x 4mm x 0.8mm)
None	6	Shunts Digikey S9000-ND or equivalent

MAX9759 Evaluation Kit

Component Suppliers

SUPPLIER	PHONE	FAX	WEBSITE
Taiyo Yuden	800-348-2496	847-925-0899	www.t-yuden.com
TDK	847-803-6100	847-390-4405	www.component.tdk.com

Note: Indicate that you are using the MAX9759 when contacting these component suppliers.

Quick Start

Recommended Equipment

- One 3Ω, 4Ω, or 8Ω speaker
- One 3.0V to 5.5V, 2A power supply
- One audio source

Procedure

The MAX9759 EV kit is fully assembled and tested. Follow the steps below to verify board operation. **Do not turn on the power supply until all connections are completed.**

- 1) Verify that a shunt is installed across pins 1 and 2 of jumper JU3 (EV kit ON).
- 2) Ensure a shunt is installed across pins 2 and 3 of jumper JU1 (G1 = 0).
- 3) Ensure a shunt is installed across pins 1 and 2 of jumper JU2 (G2 = 1).
- 4) Ensure a shunt is installed across pins 1 and 2 of jumper JU4 (EV kit unmuted).
- 5) Verify that a shunt is installed across pins 1 and 2 of jumper JU6 (internal oscillator set to spread-spectrum mode).
- 6) Verify that no shunt is installed across jumper JU5 (differential input mode).
- 7) Connect a 3Ω, 4Ω, or 8Ω speaker between the OUT+ and OUT- test points.
- 8) Ensure that the DC power supply is disabled.
- 9) Connect the positive terminal of the power supply to the VDD pad and the power-supply ground terminal to the GND pad.

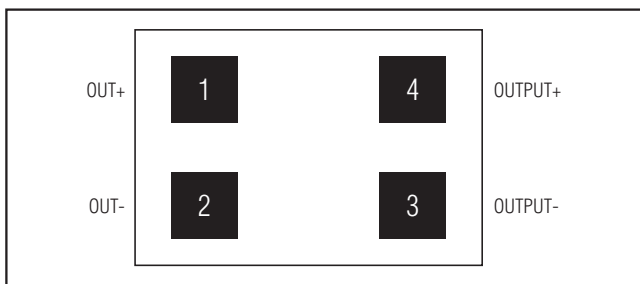


Figure 1. Common-Mode Choke, T1

- 10) Ensure that the audio source is disabled.
- 11) Connect the disabled audio source across the IN+ and IN- pads.
- 12) Turn on the power supply.
- 13) Enable the audio source.

Detailed Description

The MAX9759 EV kit features the MAX9759 filterless, Class D audio amplifier IC, designed to drive a BTL mono speaker in portable audio applications. The EV kit operates from a DC power supply that is capable of providing 4.5V to 5.5V and 2A of current. The EV kit accepts a differential or a single-ended audio input. The audio input source is amplified to drive 3.2W of continuous power into a 4Ω speaker.

The MAX9759 EV kit provides three sets of differential outputs. The device outputs (OUT+/-) can be connected directly to a speaker load without any filtering. However, a filter can be added to ease evaluation. The filtered outputs (OUTPUT+/-) require installation of filtering components T1, C8, and C9. When an LCR filter is required, ensure C8, C9, and T1 are not installed; short T1-1 to T1-4 and short T1-2 to T1-3 (Figure 1). The LCR filtered outputs (FOUTPUT+/-) require installation of filtering components L1, L2, C10–C14, R2, and R3. See Table 1 for suggested filtering components for an 8Ω load and a 30kHz cutoff frequency. All recommended filtering components for an 8Ω load are included with the MAX9759 EV kit. For recommended 4Ω or 3Ω filtering components, contact your local Maxim sales representative.

Table 1. Suggested Filtering Components for an 8Ω Load and 30kHz Cutoff Frequency

COMPONENT	VALUE
L1, L2	15μH
C10, C11	0.033μF
C14	0.15μF
C12, C13	0.068μF
R2, R3	22Ω

MAX9759 Evaluation Kit

Jumper Selection

Gain Control (G1 and G2)

Jumpers JU1 and JU2 control the gain-control pins (G1 and G2) of the MAX9759 IC. See Table 2 for shunt positions.

Table 2. JU1 and JU2 Jumper Selection

G2 SHUNT POSITION	G1 SHUNT POSITION	EV KIT GAIN (dB)
2-3	2-3	+24
2-3	1-2	+18
1-2	2-3	+12 (default)
1-2	1-2	+6

Shutdown Mode ($\overline{\text{SHDN}}$)

Jumper JU3 controls the shutdown pin ($\overline{\text{SHDN}}$) of the MAX9759 IC. See Table 3 for shunt positions.

Table 3. JU3 Jumper Selection

SHUNT POSITION	EV KIT FUNCTION
1-2 (default)	EV kit enabled.
2-3	Shutdown mode.
None. External controller connected to $\overline{\text{SHDN}}$ pad (TTL).	$\overline{\text{SHDN}}$ driven by external controller. Shutdown is active low.

Mute Function ($\overline{\text{MUTE}}$)

Jumper JU4 controls the mute pin ($\overline{\text{MUTE}}$) of the MAX9759 IC. See Table 4 for shunt positions.

Table 4. JU4 Jumper Selection

SHUNT POSITION	EV KIT FUNCTION
1-2 (default)	EV kit unmuted.
2-3	Mute.
None. External controller connected to $\overline{\text{MUTE}}$ pad (TTL).	$\overline{\text{MUTE}}$ driven by external controller. Mute is active low.

Input Mode

Jumper JU5 provides an option to select between a differential or single-ended input mode for the EV kit. See Table 5 for shunt positions.

Table 5. JU5 Jumper Selection

SHUNT POSITION	EV KIT INPUT MODE
None (default)	Differential input mode
Installed (IN- pad AC-coupled to GND)	Single-ended input mode

Switching Frequency Mode ($\overline{\text{SYNC}}$)

Jumper JU6 provides an option to select the switching frequency of the MAX9759 IC. See Table 6 for the various shunt positions.

Table 6. JU6 Jumper Selection

SHUNT POSITION	MAX9759 SYNC PIN	INTERNAL OSCILLATOR FREQUENCY
2-1	SYNC pin = V_{DD}	Spread-Spectrum Mode. Set at a switching frequency $f_S = 1.2\text{MHz} \pm 70\text{kHz}$.
2-5	SYNC pin = FLOAT	Fixed-Frequency Mode. Set at a switching frequency $f_S = 1.5\text{MHz}$.
2-3	SYNC pin = GND	Fixed-Frequency Mode. Set at a switching frequency $f_S = 1.1\text{MHz}$.
2-4	SYNC pin = Clock	Synchronized to an incoming TTL-compatible clock frequency.

Stereo Configuration

Two MAX9759s can be configured as a stereo amplifier (Figure 2). Device U1 is the master amplifier; its oscillator output, SYNC_OUT, drives the SYNC input of the slave device (U2), synchronizing the switching frequencies of the two devices. Synchronizing two MAX9759s ensures that no beat frequencies within the audio spectrum occur on the power-supply rails. This stereo configuration works when the master device is in either FFM or SSM mode. There is excellent THD+N performance and minimal crosstalk between devices due to the SYNC and SYNC_OUT connection (Figures 3, 4).

MAX9759 Evaluation Kit

Evaluates: MAX9759

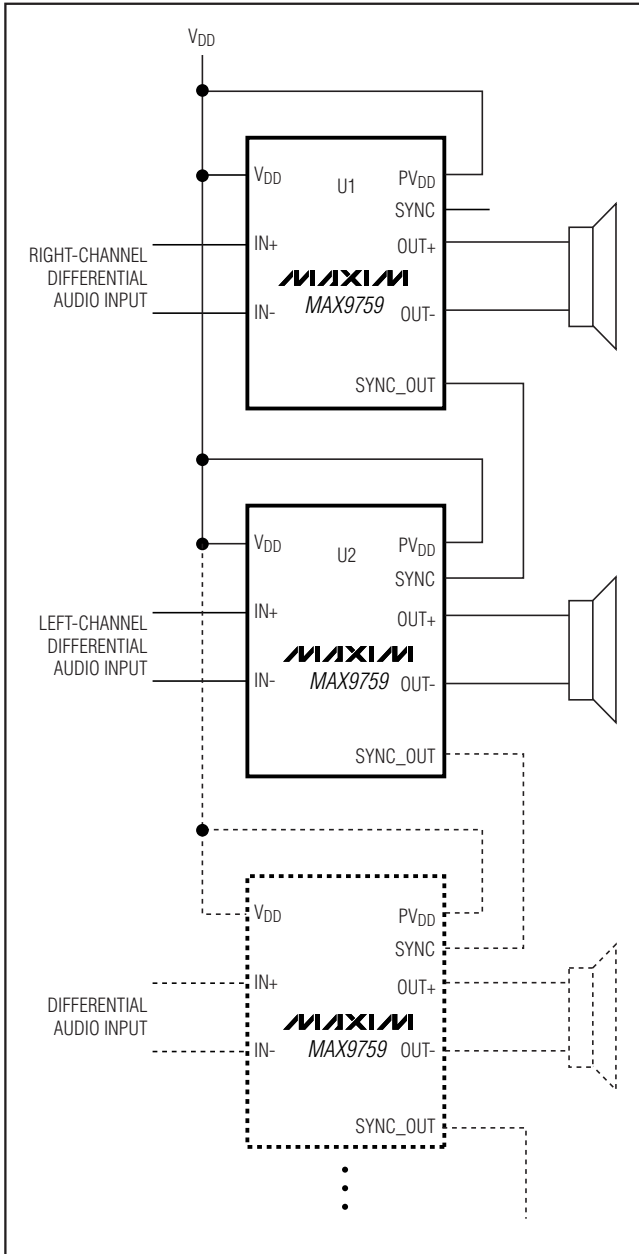


Figure 2. Master-Slave Configuration

Multiple MAX9759s can be cascaded and frequency-locked in a similar fashion (Figure 2). Simply repeat the stereo configuration outlined above for multiple cascading amplifier applications.

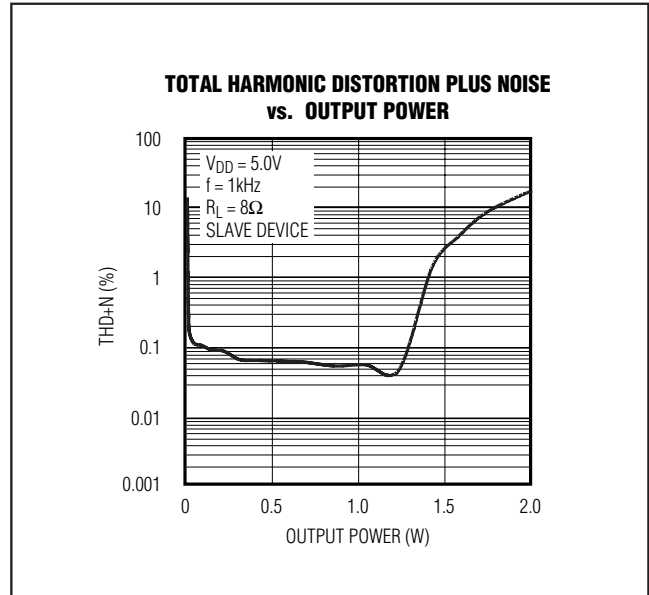


Figure 3. Total Harmonic Distortion Plus Noise vs. Output Voltage

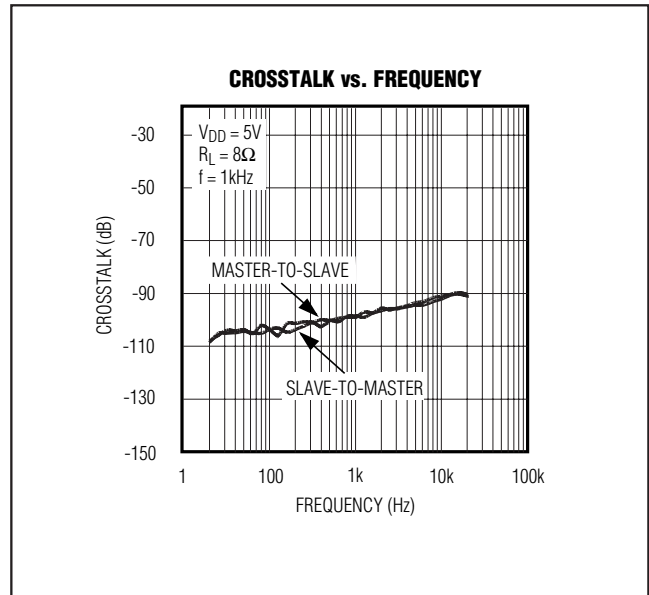


Figure 4. Master-Slave Crosstalk

MAX9759 Evaluation Kit

Evaluates: MAX9759

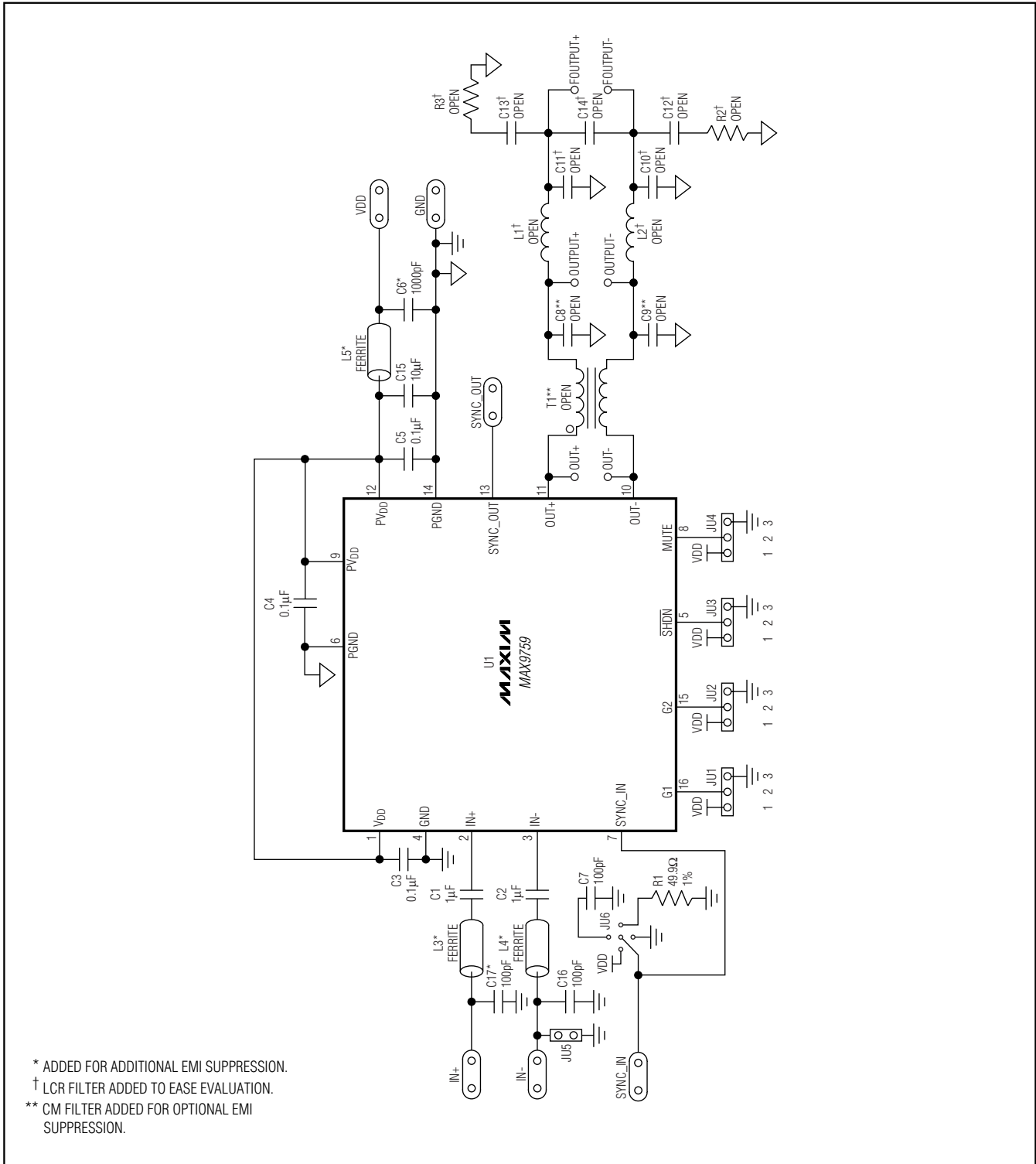


Figure 5. MAX9759 EV Kit Schematic