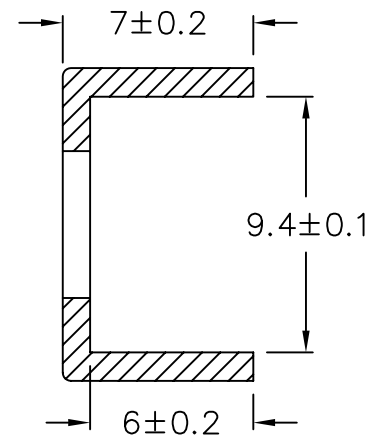
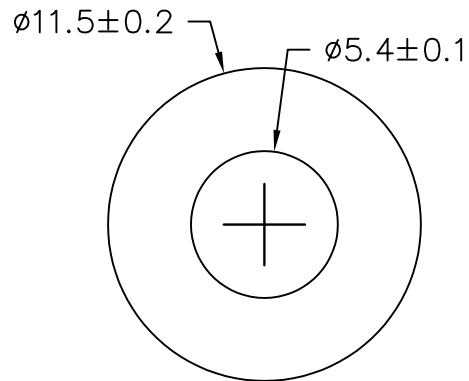
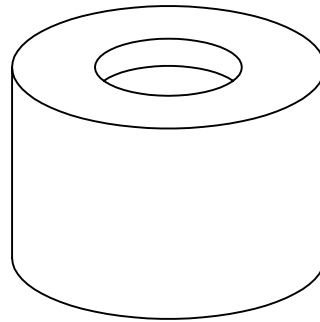


THIS DOCUMENT CONTAINS DATA PROPRIETARY TO PROJECTS UNLIMITED, INC. ANY USE OR REPRODUCTION, IN ANY FORM, WITHOUT PRIOR WRITTEN PERMISSION OF PROJECTS UNLIMITED, INC. IS PROHIBITED.  
 © 2005, Projects Unlimited Inc.


REVISIONS			
LTR	DESCRIPTION	DATE	APPROVED
-	RELEASED FROM ENGINEERING	3/17/06	



NOTES:

1. ALL DIMENSIONS ARE IN MILLIMETERS.
2. SPECIFICATION SUBJECT TO CHANGE OR WITHDRAWAL WITHOUT NOTICE.
3. THIS PART IS RoHS 2002/95/EC COMPLIANT

FILE NAME  
 MB-9745-LP-R.dwg

UNLESS OTHERWISE SPECIFIED: DIMENSIONS ARE IN MILLIMETERS; TOLERANCES ARE $\pm 0.5$ AND ANGLES ARE $\pm 3^\circ$ .		 <b>projects® unlimited</b> Dayton , Ohio									
<table border="1"> <thead> <tr> <th>APPROVALS</th> <th>DATE</th> </tr> </thead> <tbody> <tr> <td>DRAWN <i>TG</i></td> <td>3/06</td> </tr> <tr> <td>CHECKED <i>BR</i></td> <td>3/06</td> </tr> <tr> <td>APPROVED <i>EP</i></td> <td>3/06</td> </tr> </tbody> </table>		APPROVALS	DATE	DRAWN <i>TG</i>	3/06	CHECKED <i>BR</i>	3/06	APPROVED <i>EP</i>	3/06	<b>MICROPHONE BOOT</b>	
APPROVALS	DATE										
DRAWN <i>TG</i>	3/06										
CHECKED <i>BR</i>	3/06										
APPROVED <i>EP</i>	3/06										
<table border="1"> <tr> <td>SIZE A</td> <td>DRAWING NO. MB-9745-LP-R</td> </tr> </table>		SIZE A	DRAWING NO. MB-9745-LP-R								
SIZE A	DRAWING NO. MB-9745-LP-R										
DO NOT SCALE DRAWING		SCALE: N.T.S.	SHEET 1 OF 1								