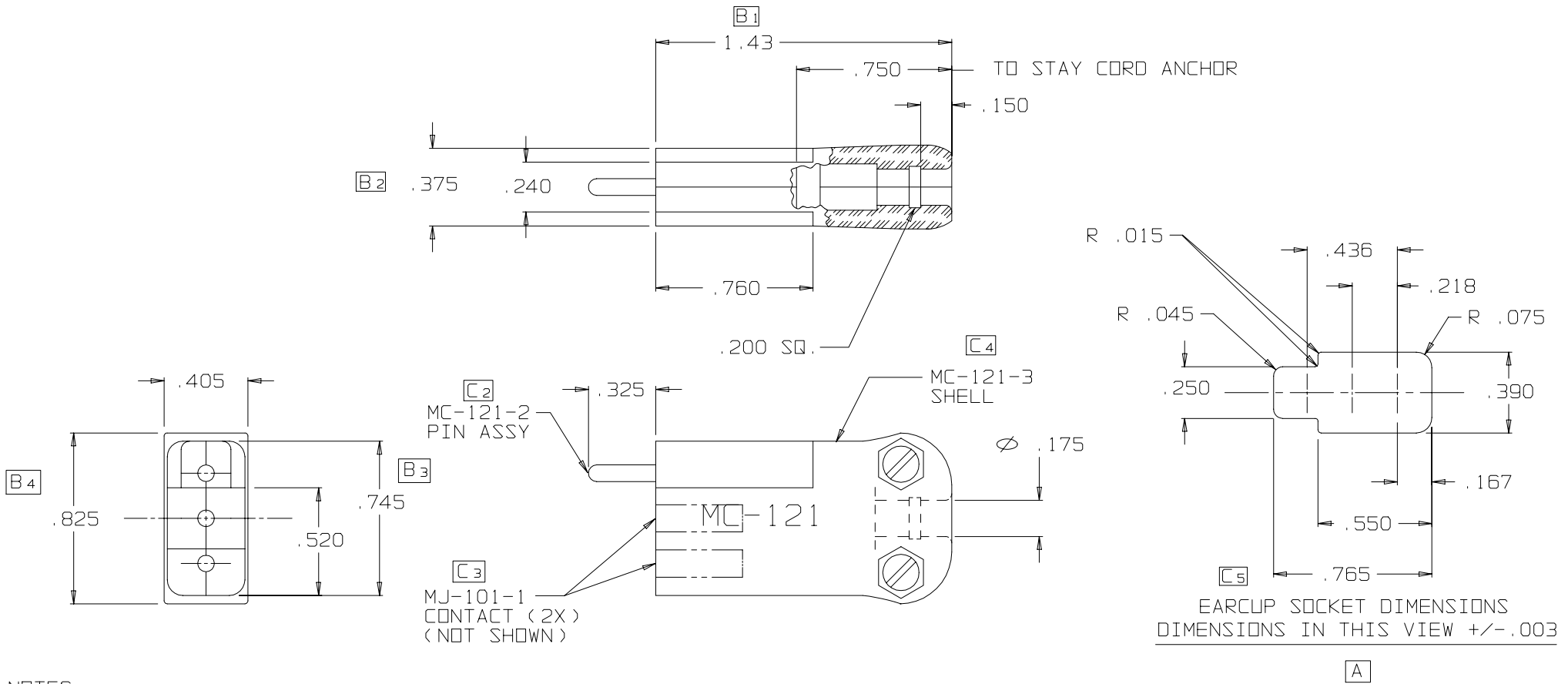


B MC-121



NOTES

1. MATERIALS:
 SHELL - NYLON ZYTEL 101
 SCREWS - STAINLESS STEEL
 SPRINGWASHERS - STAINLESS STEEL
 NUTS - STAINLESS STEEL
 JACK CONTACTS - BeCu C17200
 PIN CONTACT - BeCu C17300

THIS DOCUMENT CONTAINS PROPRIETARY INFORMATION OF NEXUS, INCORPORATED AND SUCH INFORMATION MAY NOT BE DISCLOSED TO OTHERS FOR ANY PURPOSE OR USED FOR ANY PURPOSE WITHOUT THE WRITTEN CONSENT OF NEXUS.

C	5) ADDED "SOCKET"	0180	7/13/95	L.S.	DWN. BY	DATE	MATERIAL SEE NOTE 1		
	4) ADDED MC-121-3				M.N.F.	5/17/95	FINISH		
B	3) ADDED MJ-101-1	0127	5/2/94	L.S.	CHECKED BY	DATE	WEIGHT	SCALE 2:1	
	2) ADDED MC-121-2				L. SMITH	5/17/95			
A	1) WAS SPRING STEEL			F	APPR. BY	DATE	TITLE		
	VIEW ADDED				L. SMITH	5/17/95	MICROPHONE CONNECTOR		
LET.	REVISION	CN #	DATE	CHK.	UNLESS OTHERWISE SPECIFIED DIMENSIONS ARE IN INCHES TOLERANCES ON FRACTIONS DECIMALS ANGLES			SIZE	
					+/- .005			DO NOT SCALE DWG.	DWG. NO.
					SHEET 1 OF 1			B	MC-121