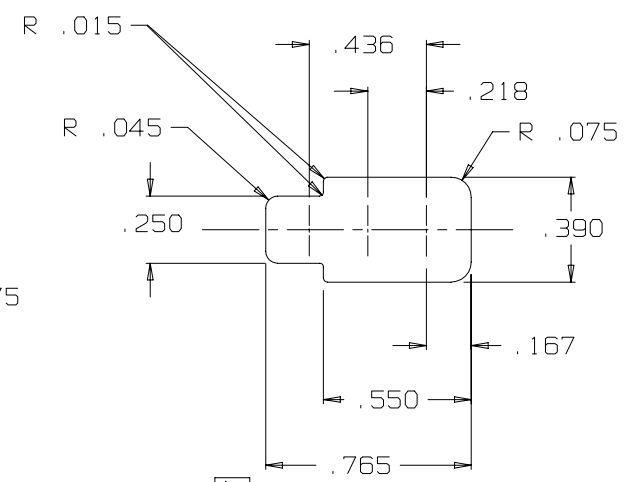
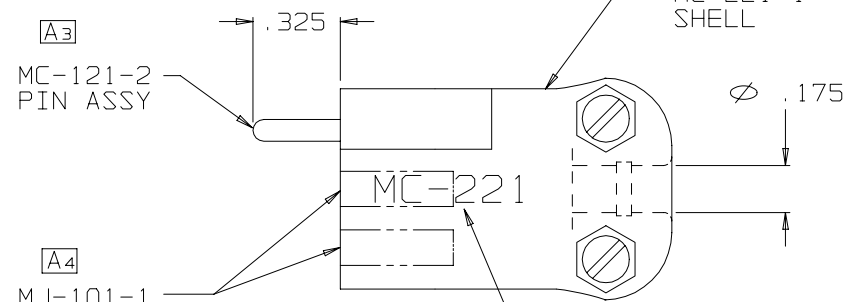
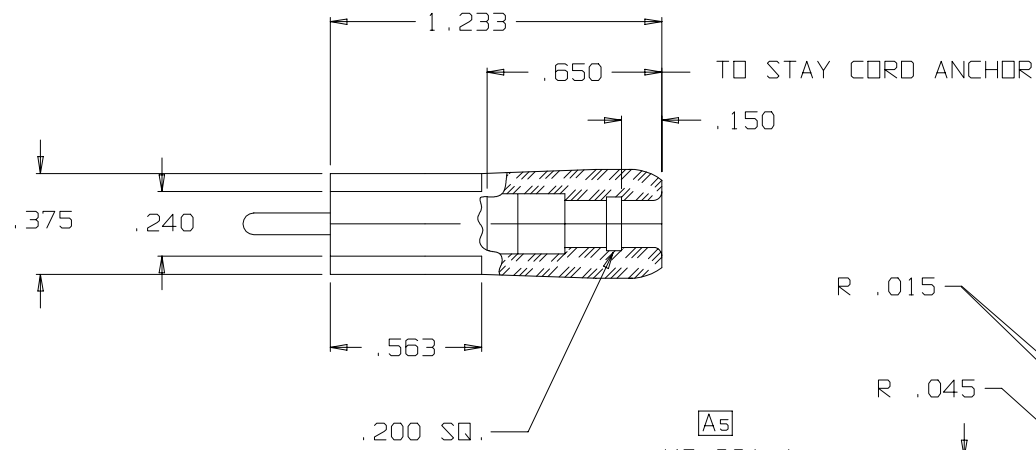
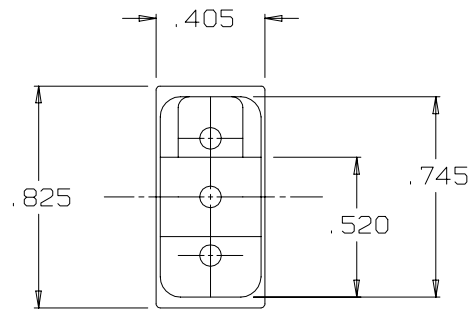
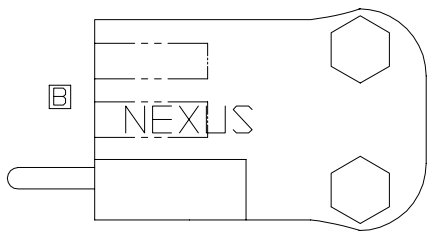


**B MC-221**



**A6**  
EARCUP SOCKET DIMENSIONS  
DIMENSIONS IN THIS VIEW +/- .003

**NOTES**

1. MATERIALS:  
 SHELL - ZYTEL SUPERTOUGH ST801 NYLON  
 SCREWS - STAINLESS STEEL  
 SPRINGWASHERS - STAINLESS STEEL  
 NUTS - STAINLESS STEEL  
 JACK CONTACTS - BeCu C17200  
 PIN CONTACT - BeCu C17300

**B** MARKING .093 HIGH RISED .005 APPROX. AS SHOWN, 2 PLACES

THIS DOCUMENT CONTAINS PROPRIETARY INFORMATION OF NEXUS, INCORPORATED AND SUCH INFORMATION MAY NOT BE DISCLOSED TO OTHERS FOR ANY PURPOSE OR USED FOR ANY PURPOSE WITHOUT THE WRITTEN CONSENT OF NEXUS.

LET.	REVISION	CN #	DATE	CHK.
B	ADDED MARKING	0183	7/21/95	
A	6) ADDED "SOCKET" 5) ADDED MC-221-1 4) ADDED MJ-101-1 3) ADDED MC-121-2 2) WAS SPING STEEL 1) WAS NYLON 101	0179	7/13/95	

DWN. BY M.N.F.	DATE 7/6/95	MATERIAL SEE NOTE 1	
CHECKED BY L. SMITH	DATE 7/13/95	FINISH	SCALE 2:1
APPR. BY L. SMITH	DATE 7/13/95	TITLE <b>MICROPHONE CONNECTOR</b>	
UNLESS OTHERWISE SPECIFIED DIMENSIONS ARE IN INCHES TOLERANCES ON FRACTIONS DECIMALS ANGLES		DO NOT SCALE DWG. SHEET 1 OF 1	
		SIZE <b>B</b>	DWG. NO. <b>MC-221</b>