

NOTES: UNLESS OTHERWISE SPECIFIED

- 1 TORQUE INSERT CAP SCREWS TO 4.75±.25 IN.-LBS.
- 2 TORQUE FACE NUT TO 50 IN-LBS MAX THEN TORQUE FACE NUT SCREW TO 25 ±5 IN-LBS.
- 3 ORIENTATION OF THE FACE SEAL NUT NOT CONTROLLED RELATIVE TO THE FLANGE
- 4 TORQUE JAM NUT TO 110 IN-LBS MAX
- 5. NOT ALL CONFIGURATIONS LISTED ARE IMMEDIATELY AVAILABLE

TABLE 1 PART NUMBER DEFINITION

PART NO.	DESCRIPTION
MCTS-#####-###	DASH NO. COLUMN 1 = OPTICAL MODE
MCTS-S#####-###	S = SINGLE MODE, WAVELENGTH 1310nm (9/125 OS1)
MCTS-K#####-###	K = SINGLE MODE, WAVELENGTH 1550nm (9/125 OS1)
MCTS-M#####-###	M = MULTIMODE, WAVELENGTH 1300nm (62.5/125 OM1)
MCTS-L#####-###	L = MULTIMODE, WAVELENGTH 850nm (62.5/125 OM1)
MCTS-H#####-###	H = MULTIMODE, WAVELENGTH 1300nm (50/125 OM4)
MCTS-G#####-###	G = MULTIMODE, WAVELENGTH 850nm (50/125 OM4)
MCTS-#####-###	DASH NO. COLUMN 2 = REAR CONNECTION TYPE
MCTS-#R###-###	R = RJ45 (GEN I)
MCTS-#J###-###	J = RJ45 (GEN II)
MCTS-#D###-###	D = D38999
MCTS-#F###-###	F = RJ FIELD (WITH PLASTIC CAP)
MCTS-#G###-###	G = RJ FIELD (WITH METAL CAP)
MCTS-#####-###	DASH NO. COLUMN 3 = ETHERNET SPEED
MCTS-##F##-###	F = 10/100 Mb/s
MCTS-##G##-###	G = 100/1000 Mb/s
MCTS-#####-###	DASH NO. COLUMN 4 = # OF TX/RX PAIRS/PORT LOCATION
MCTS-###1#-###	1 = 2 PAIR OF Tx/Rx
MCTS-###2#-###	2 = 1 PAIR OF Tx/Rx USING S1/P1
MCTS-###3#-###	3 = 1 PAIR OF Tx/Rx USING S2/P2
MCTS-#####-###	DASH NO COLUMN 5 = POWER
MCTS-####1-###	1 = 5 VDC, 2.5 mm SEALED BARREL
MCTS-####2-###	2 = 28 VDC 2.5 mm SEALED BARREL
MCTS-####4-###	4 = POWER OVER ETHERNET (POE)
MCTS-####5-###	5 = 5 VDC WITH D38999
MCTS-####6-###	6 = USB, TYPE A, 5V
MCTS-####7-###	7 = 28 VDC WITH D38999
MCTS-####A-###	A = RoHS, 5 VDC, 2.5 mm SEALED BARREL
MCTS-####B-###	B = RoHS, 28 VDC 2.5 mm SEALED BARREL
MCTS-####D-###	D = RoHS, POWER OVER ETHERNET (POE)
MCTS-####E-###	E = RoHS, 5 VDC WITH D38999
MCTS-####F-###	F = RoHS, USB, TYPE A, 5V
MCTS-####G-###	G = RoHS, 28 VDC WITH D38999
MCTS-#####-###	DASH NUMBER COLUMN 6 = PLATING
MCTS-#####-2##	2 = 6061-T6, Zn-Ni, COLOR OLIVE DRAB (GREEN)
MCTS-#####-3##	3 = 6061-T6, GLOSS BLACK HARD ANODIZE W/PTFE
MCTS-#####-7##	7 = 6061-T6, AL ALY, Ni PTFE
MCTS-#####-Z##	Z = 6061-T6, Zn-Ni, COLOR BLACK
MCTS-#####-C##	C = 303 STAINLESS STEEL PASSIVATED
MCTS-#####-###	DASH NO. COLUMN 7 = SEALING OPTION
MCTS-#####-#3#	3 = NITRILE ORINGS / FLUOROSILICONE CONDUCTIVE PANEL SEAL (O-RING)
MCTS-#####-#4#	4 = EPDM ORINGS / EPDM CONDUCTIVE PANEL SEAL (O-RING)
MCTS-#####-###	DASH NO. COLUMN 8 = KEY OPTION
MCTS-#####-##1	1 = KEY 1, GREY
MCTS-#####-##2	2 = KEY 2, BLUE
MCTS-#####-##3	3 = KEY 3, RED
MCTS-#####-##4	4 = KEY U, GREEN

REVISION HISTORY - ALL SHEETS ARE THE SAME REVISION

REV	DESCRIPTION	DATE	APPROVED
A	ECN 180926-1700, SMM	09/28/2018	CJ
B	ECN 181129-1131, RLF	01/08/2019	JW
C	ECN 190830-1329, SL	2019/8/30	JW
D	ECN 191018-0931, SL	2019/10/18	JW
E	ECN 191103-1454, SL	2020/01/13	JW
F	ECN 200414-1703, SL		

PRODUCT DRAWING

AmphenolFSI

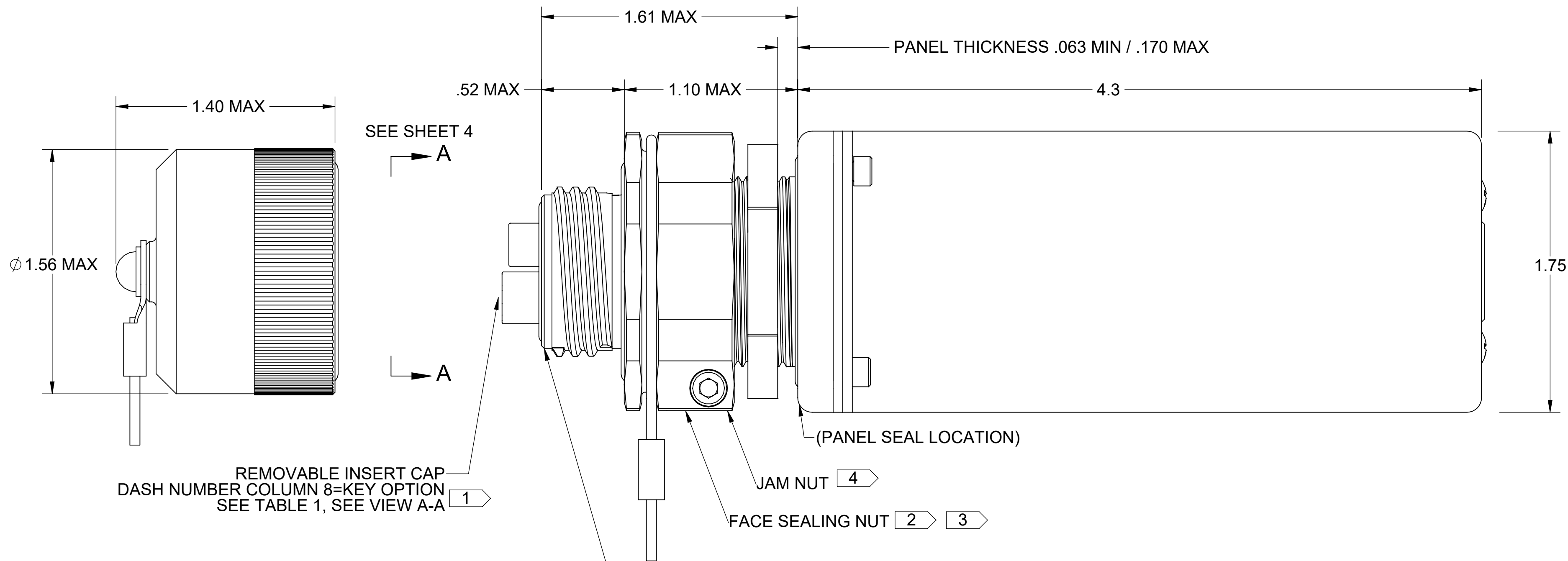
**CONVERTER ASSY,
RECEPTACLE, 4CH, TFOCA-II®**

DFT	SMM	08/21/2018
ENG	SMM	08/28/2018
CHK	RK	08/29/2018
APP	JW	08/28/2018

DO NOT SCALE DRAWING
UNLESS OTHERWISE SPECIFIED
DIM ARE IN INCHES
TOL ON ANGLES ±3
1 PL ±.1 2 PL ±.02 3 PL ±.010
INTERPRET DIM AND TOL PER
ASME Y14.5-2009

SIZE	CAGE CODE	DWG NO	REV
C	ØYPM2	MCTS	F
SCALE	NONE	SHEET	1 OF 5

DASH NO. COLUMN 2, REAR CONNECTION TYPE R = RJ45 (GEN I)

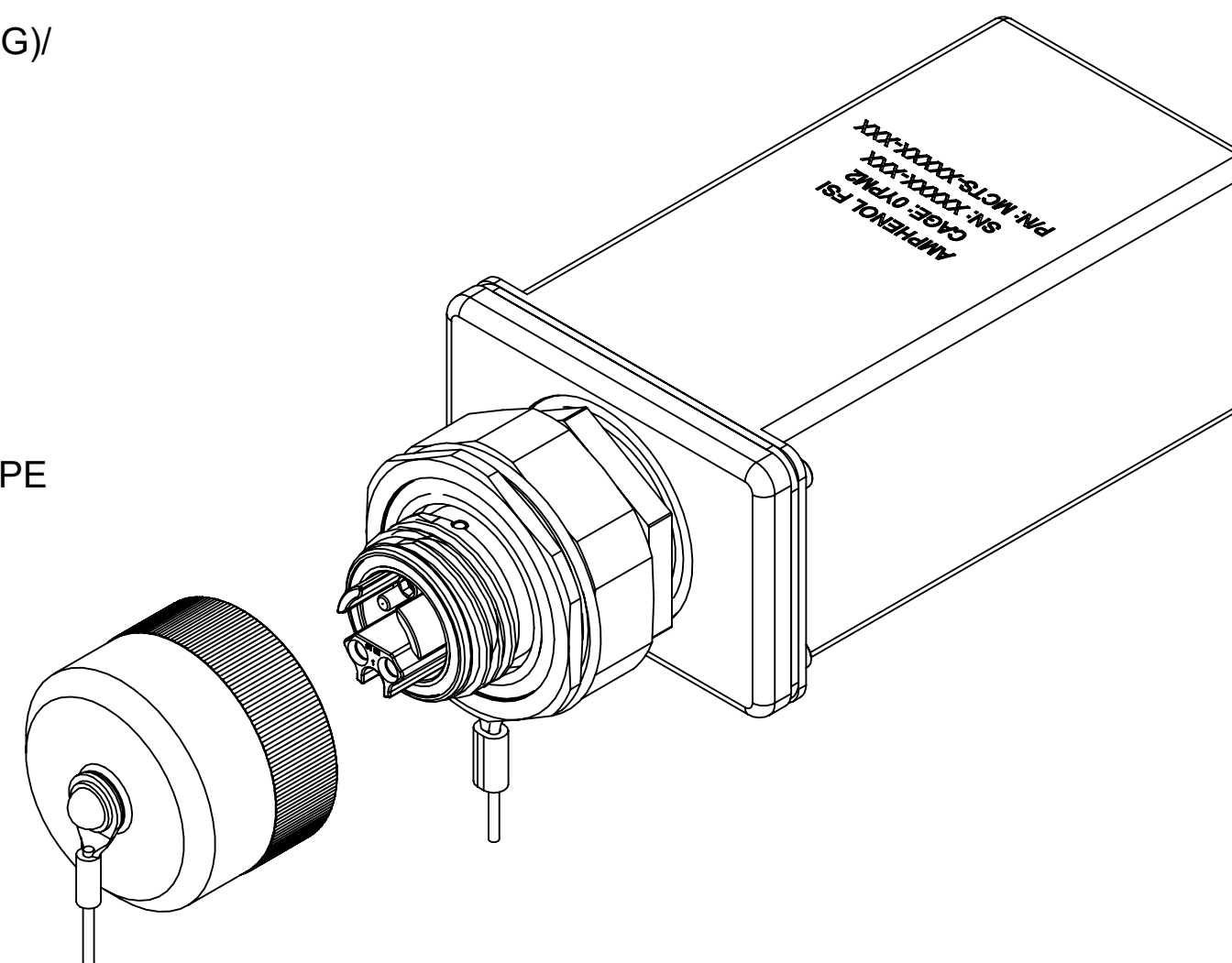
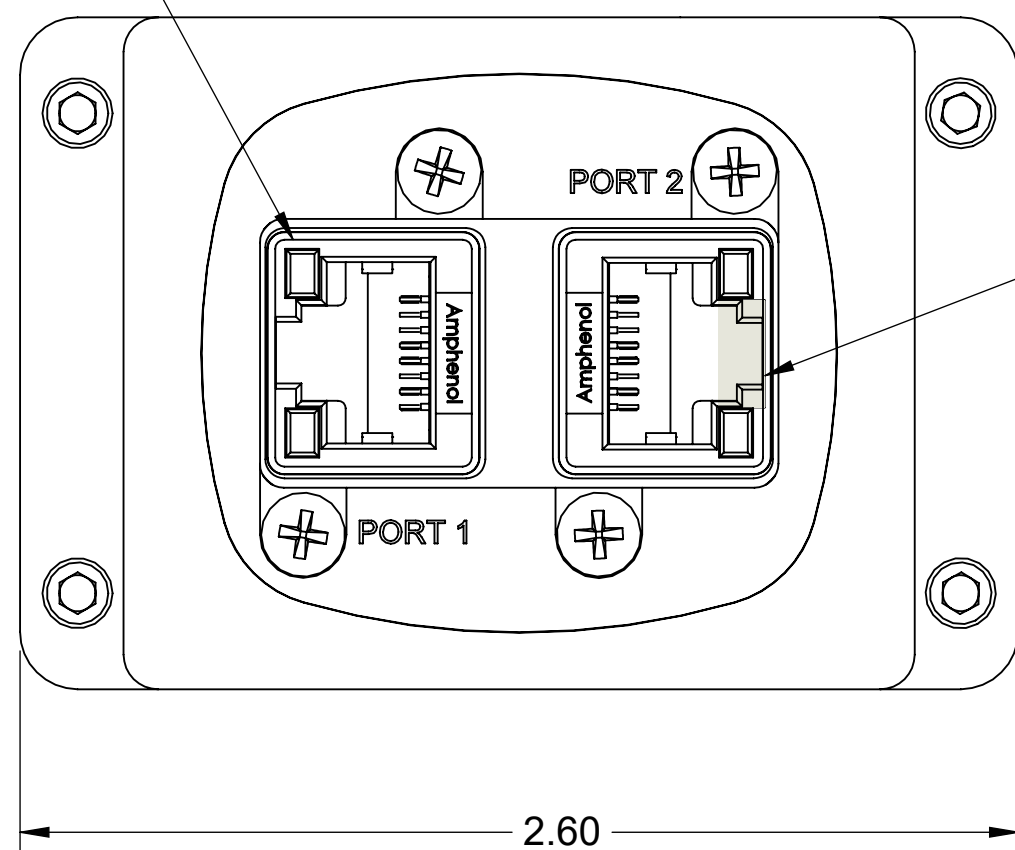


REMOVABLE INSERT CAP
DASH NUMBER COLUMN 8=KEY OPTION
SEE TABLE 1, SEE VIEW A-A

CONNECTOR
DASH NUMBER COLUMN 6=MATERIAL & FINISH
DASH NUMBER COLUMN 7=SEAL MATERIAL (ORING)/
PANEL SEAL CONDUCTIVITY REQUIREMENTS
SEE TABLE 1

REAR CONNECTION
DASH NUMBER COLUMN 2=REAR CONNECTION TYPE
DASH NUMBER COLUMN 4=NO. OF TX/RX PAIRS
DASH NUMBER COLUMN 5=POWER TYPE
SEE TABLE 1

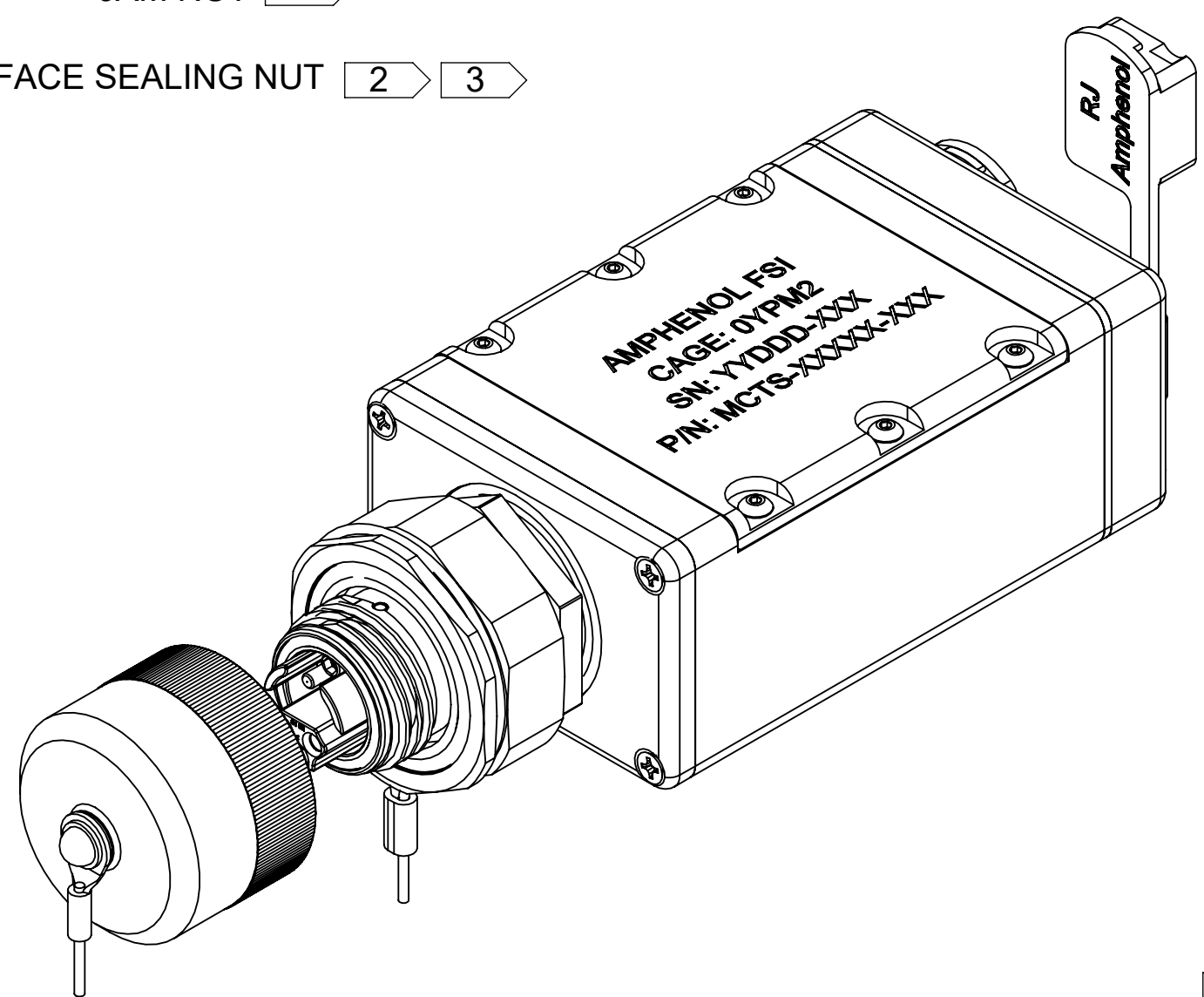
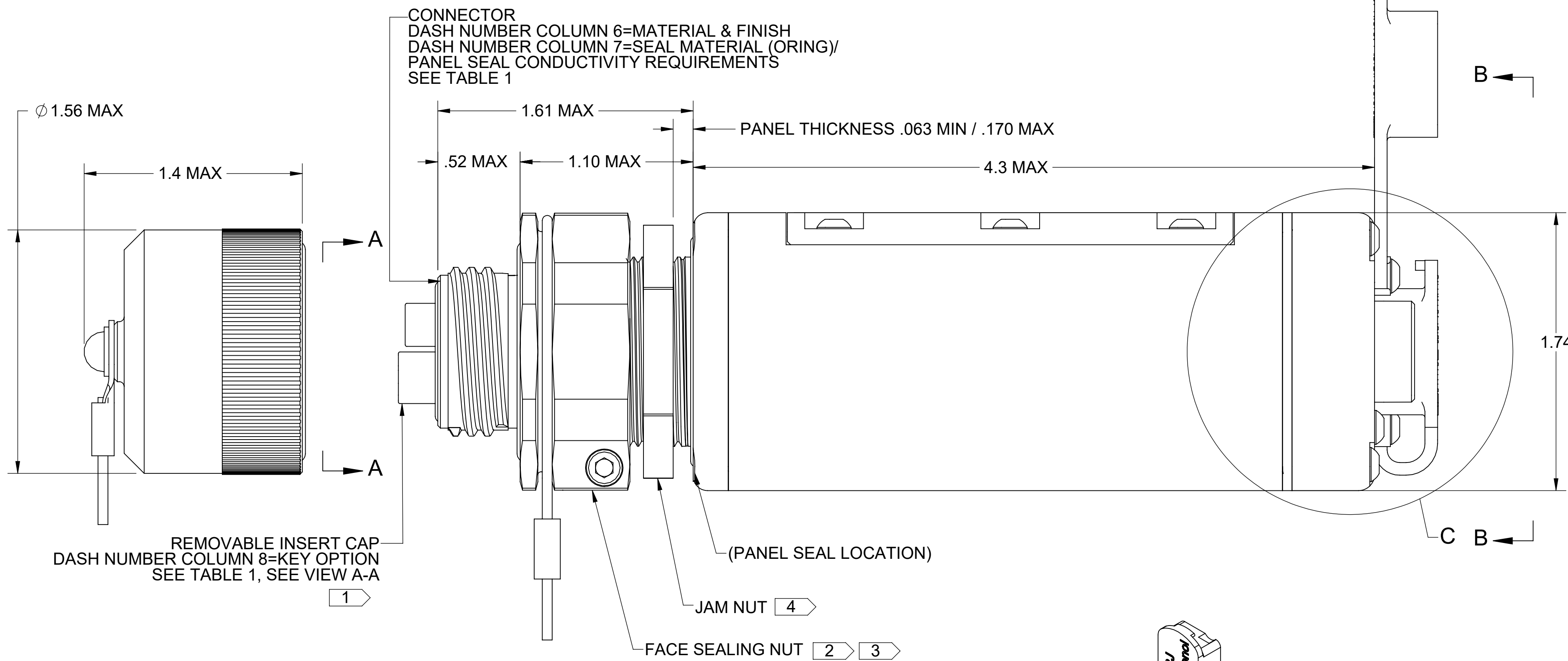
RJ45 DATA INPUT



SIZE	CAGE CODE	DWG NO	REV
C	ØYPM2	MCTS	F
SCALE	2:1	SHEET	2 OF 5

TOP ASSY: 190-041

DASH NO. COLUMN 2, REAR CONNECTION TYPE J = RJ45 (GEN II)



REAR CONNECTIONS
ARE CONFIGURABLE
SEE SHEET 5

SIZE	CAGE CODE	DWG NO	REV
C	ØYPM2	MCTS	F
SCALE	2:1	SHEET	3 OF 5

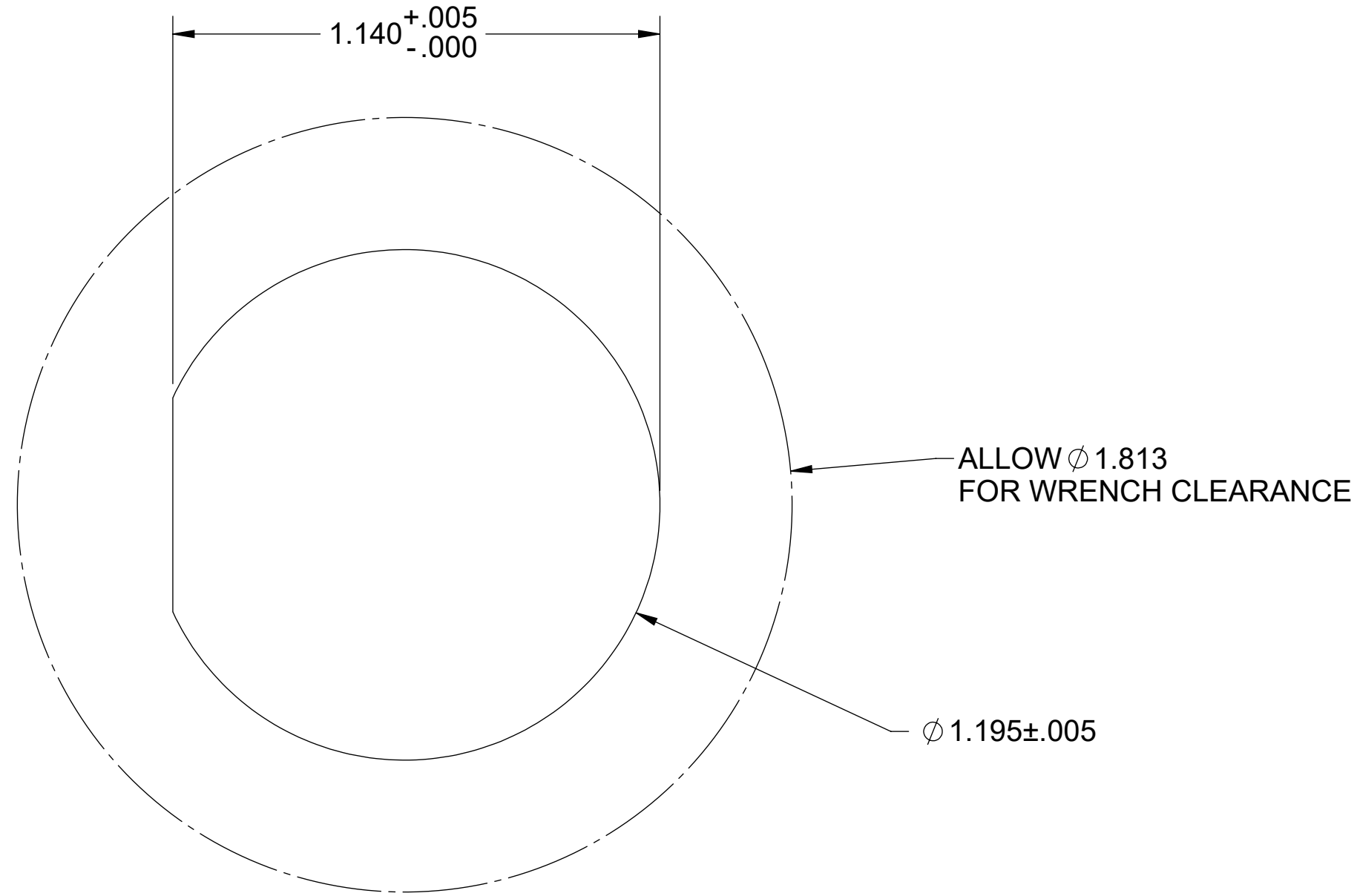
TOP ASSY: 190-102

4

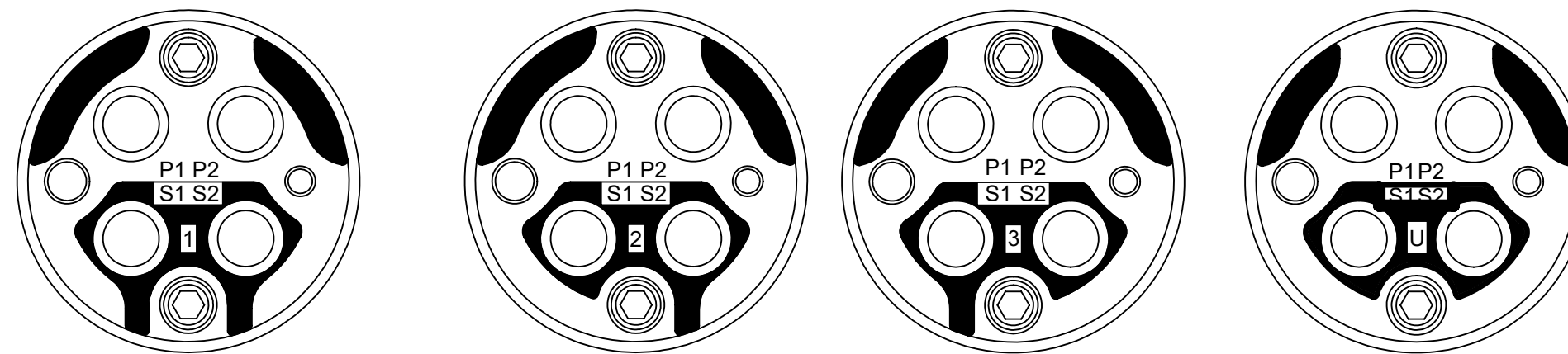
3

2

1



**PANEL CUT-OUT DIMENSIONS
(VIEW A-A)**



KEY OPTION 1

KEY OPTION 2

KEY OPTION 3

KEY OPTION 4
UNIVERSAL

VIEW A-A
SCALE: 3/1

DASH NO. COLUMN 8, KEY OPTION

SIZE	CAGE CODE	DWG NO	REV
C	ØYPM2	MCTS	F
SCALE	3:1	SHEET	4 OF 5

TOP ASSY: 190-102

1