

# 3.3 V/5 V ECL Differential Data and Clock D Flip-Flop

## MC10EP52, MC100EP52

### Description

The MC10EP/100EP52 is a differential data, differential clock D flip-flop. The device is pin and functionally equivalent to the EL52 device.

Data enters the master portion of the flip-flop when the clock is LOW and is transferred to the slave, and thus the outputs, upon a positive transition of the clock. The differential clock inputs of the EP52 allow the device to also be used as a negative edge triggered device.

The EP52 employs input clamping circuitry so that under open input conditions (pulled down to  $V_{EE}$ ) the outputs of the device will remain stable.

The 100 Series contains temperature compensation.

### Features

- 330 ps Typical Propagation Delay
- Maximum Frequency = > 4 GHz Typical
- PECL Mode:  $V_{CC} = 3.0\text{ V}$  to  $5.5\text{ V}$  with  $V_{EE} = 0\text{ V}$
- NECL Mode:  $V_{CC} = 0\text{ V}$  with  $V_{EE} = -3.0\text{ V}$  to  $-5.5\text{ V}$
- Open Input Default State
- Safety Clamp on Inputs
- Q Output Will Default LOW with Inputs Open or at  $V_{EE}$
- These Devices are Pb-Free, Halogen Free and are RoHS Compliant



ON Semiconductor®

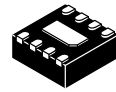
[www.onsemi.com](http://www.onsemi.com)



SOIC-8 NB  
D SUFFIX  
CASE 751-07

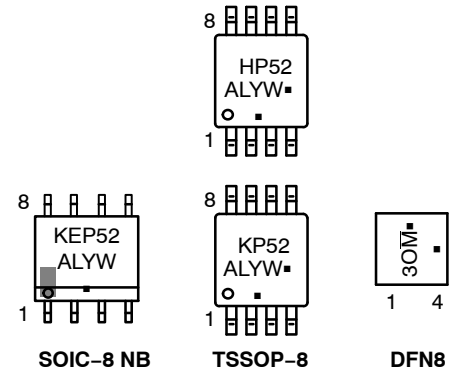


TSSOP-8  
DT SUFFIX  
CASE 948R-02



DFN8  
MN SUFFIX  
CASE 506AA

### MARKING DIAGRAMS\*



H = MC10      L = Wafer Lot  
K = MC100      Y = Year  
3O = MC100      W = Work Week  
M̄ = Date Code      ■ = Pb-Free Package  
A = Assembly Location  
(Note: Microdot may be in either location)

\*For additional marking information, refer to Application Note [AND8002/D](#).

### ORDERING INFORMATION

| Device         | Package             | Shipping†          |
|----------------|---------------------|--------------------|
| MC10EP52DTG    | TSSOP-8 (Pb-Free)   | 100 Units / Tube   |
| MC100EP52DG    | SOIC-8 NB (Pb-Free) | 98 Units / Tube    |
| MC100EP52DR2G  | SOIC-8 NB (Pb-Free) | 2500 Tape & Reel   |
| MC100EP52DTG   | TSSOP-8 (Pb-Free)   | 100 Units / Tube   |
| MC100EP52DTR2G | TSSOP-8 (Pb-Free)   | 2500 Tape & Reel   |
| MC100EP52MNR4G | DFN8 (Pb-Free)      | 1000 / Tape & Reel |

†For information on tape and reel specifications, including part orientation and tape sizes, please refer to our Tape and Reel Packaging Specifications Brochure, [BRD8011/D](#).

# MC10EP52, MC100EP52

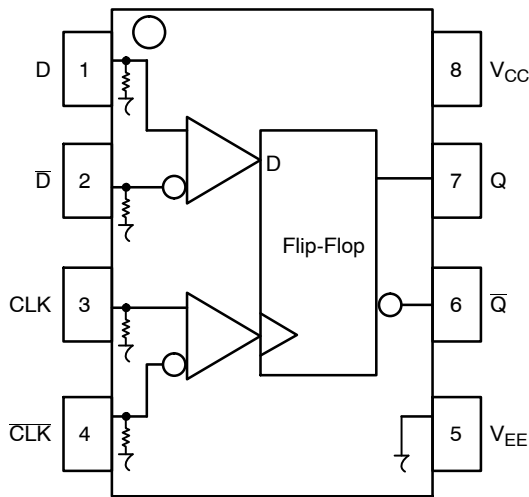


Figure 1. 8-Lead Pinout (Top View) and Logic Diagram

Table 1. PIN DESCRIPTION

| PIN                             | FUNCTION   |
|---------------------------------|--|
| CLK*, $\overline{\text{CLK}}^*$ | ECL Clock Inputs   |
| D*, $\overline{\text{D}}^*$     | ECL Data Input   |
| Q, $\overline{\text{Q}}$        | ECL Data Outputs   |
| V <sub>CC</sub>                 | Positive Supply  |
| V <sub>EE</sub>                 | Negative Supply  |
| EP                              | (DFN8 only) Thermal exposed pad must be connected to a sufficient thermal conduit. Electrically connect to the most negative supply (GND) or leave unconnected, floating open. |

\* Pins will default LOW when left open.

Table 2. TRUTH TABLE

| D | CLK | Q |
|---|-----|---|
| L | Z   | L |
| H | Z   | H |

Z = LOW to HIGH Transition

Table 3. ATTRIBUTES

| Characteristics   | Value                         |
|---|-------------------------------|
| Internal Input Pulldown Resistor  | 75 k $\Omega$                 |
| Internal Input Pullup Resistor  | N/A                           |
| ESD Protection<br>Human Body Model<br>Machine Model<br>Charged Device Model | > 4 kV<br>> 200 V<br>> 2 kV   |
| Moisture Sensitivity, Indefinite Time Out of Drypack (Note 1)               | Pb-Free Pkg                   |
| SOIC-8 NB<br>TSSOP-8<br>DFN8  | Level 1<br>Level 3<br>Level 1 |
| Flammability Rating<br>Oxygen Index: 28 to 34                               | UL 94 V-0 @ 0.125 in          |
| Transistor Count  | 155 Devices                   |
| Meets or exceeds JEDEC Spec EIA/JESD78 IC Latchup Test                      |                               |

1. For additional information, see Application Note [AND8003/D](#).

# MC10EP52, MC100EP52

**Table 4. MAXIMUM RATINGS**

| Symbol           | Parameter  | Condition 1                                    | Condition 2  | Rating      | Unit |
|------------------|--|--|--|-------------|------|
| V <sub>CC</sub>  | PECL Mode Power Supply                             | V <sub>EE</sub> = 0 V                          |  | 6           | V    |
| V <sub>EE</sub>  | NECL Mode Power Supply                             | V <sub>CC</sub> = 0 V                          |  | -6          | V    |
| V <sub>I</sub>   | PECL Mode Input Voltage<br>NECL Mode Input Voltage | V <sub>EE</sub> = 0 V<br>V <sub>CC</sub> = 0 V | V <sub>I</sub> ≤ V <sub>CC</sub><br>V <sub>I</sub> ≥ V <sub>EE</sub> | 6<br>-6     | V    |
| I <sub>out</sub> | Output Current                                     | Continuous<br>Surge                            |  | 50<br>100   | mA   |
| I <sub>BB</sub>  | V <sub>BB</sub> Sink/Source                        |  |  | ±0.5        | mA   |
| T <sub>A</sub>   | Operating Temperature Range                        |  |  | -40 to +85  | °C   |
| T <sub>stg</sub> | Storage Temperature Range                          |  |  | -65 to +150 | °C   |
| θ <sub>JA</sub>  | Thermal Resistance (Junction-to-Ambient)           | 0 lfpm<br>500 lfpm                             | SOIC-8 NB<br>SOIC-8 NB   | 190<br>130  | °C/W |
| θ <sub>JC</sub>  | Thermal Resistance (Junction-to-Case)              | Standard Board                                 | SOIC-8 NB  | 41 to 44    | °C/W |
| θ <sub>JA</sub>  | Thermal Resistance (Junction-to-Ambient)           | 0 lfpm<br>500 lfpm                             | TSSOP-8<br>TSSOP-8   | 185<br>140  | °C/W |
| θ <sub>JC</sub>  | Thermal Resistance (Junction-to-Case)              | Standard Board                                 | TSSOP-8  | 41 to 44    | °C/W |
| θ <sub>JA</sub>  | Thermal Resistance (Junction-to-Ambient)           | 0 lfpm<br>500 lfpm                             | DFN8<br>DFN8   | 129<br>84   | °C/W |
| θ <sub>JC</sub>  | Thermal Resistance (Junction-to-Case)              | (Note 2)                                       | DFN8   | 35 to 40    | °C/W |
| T <sub>sol</sub> | Wave Solder (Pb-Free)                              | < 2 to 3 sec @ 260°C                           |  | 265         | °C   |

Stresses exceeding those listed in the Maximum Ratings table may damage the device. If any of these limits are exceeded, device functionality should not be assumed, damage may occur and reliability may be affected.

2. JEDEC standard multilayer board – 2S2P (2 signal, 2 power)

**Table 5. 10EP DC CHARACTERISTICS, PECL** (V<sub>CC</sub> = 3.3 V, V<sub>EE</sub> = 0 V (Note 1))

| Symbol             | Characteristic   | -40°C |      |      | 25°C |      |      | 85°C |      |      | Unit |
|--------------------|--|-------|------|------|------|------|------|------|------|------|------|
|                    |  | Min   | Typ  | Max  | Min  | Typ  | Max  | Min  | Typ  | Max  |      |
| I <sub>EE</sub>    | Power Supply Current   | 20    | 34   | 44   | 20   | 35   | 45   | 20   | 37   | 47   | mA   |
| V <sub>OH</sub>    | Output HIGH Voltage (Note 2)   | 2165  | 2290 | 2415 | 2230 | 2355 | 2480 | 2290 | 2415 | 2540 | mV   |
| V <sub>OL</sub>    | Output LOW Voltage (Note 2)  | 1365  | 1490 | 1615 | 1430 | 1555 | 1680 | 1490 | 1615 | 1740 | mV   |
| V <sub>IH</sub>    | Input HIGH Voltage (Single-Ended)  | 2090  |      | 2415 | 2155 |      | 2480 | 2215 |      | 2540 | mV   |
| V <sub>IL</sub>    | Input LOW Voltage (Single-Ended)   | 1365  |      | 1690 | 1430 |      | 1755 | 1490 |      | 1815 | mV   |
| V <sub>IHCMR</sub> | Input HIGH Voltage Common Mode Range (Differential Configuration) (Note 3) | 2.0   |      | 3.3  | 2.0  |      | 3.3  | 2.0  |      | 3.3  | V    |
| I <sub>IH</sub>    | Input HIGH Current   |       |      | 150  |      |      | 150  |      |      | 150  | μA   |
| I <sub>IL</sub>    | Input LOW Current  | 0.5   |      |      | 0.5  |      |      | 0.5  |      |      | μA   |

NOTE: Device will meet the specifications after thermal equilibrium has been established when mounted in a test socket or printed circuit board with maintained transverse airflow greater than 500 lfpm.

1. Input and output parameters vary 1:1 with V<sub>CC</sub>. V<sub>EE</sub> can vary +0.3 V to -2.2 V.
2. All loading with 50 Ω to V<sub>CC</sub> - 2.0 V.
3. V<sub>IHCMR</sub> min varies 1:1 with V<sub>EE</sub>, V<sub>IHCMR</sub> max varies 1:1 with V<sub>CC</sub>. The V<sub>IHCMR</sub> range is referenced to the most positive side of the differential input signal.

## MC10EP52, MC100EP52

**Table 6. 10EP DC CHARACTERISTICS, PECL** ( $V_{CC} = 5.0\text{ V}$ ,  $V_{EE} = 0\text{ V}$  (Note 1))

| Symbol      | Characteristic   | -40°C |      |      | 25°C |      |      | 85°C |      |      | Unit          |
|-------------|--|-------|------|------|------|------|------|------|------|------|---------------|
|             |  | Min   | Typ  | Max  | Min  | Typ  | Max  | Min  | Typ  | Max  |               |
| $I_{EE}$    | Power Supply Current   | 20    | 34   | 44   | 20   | 35   | 45   | 20   | 37   | 47   | mA            |
| $V_{OH}$    | Output HIGH Voltage (Note 2)   | 3865  | 3990 | 4115 | 3930 | 4055 | 4180 | 3990 | 4115 | 4240 | mV            |
| $V_{OL}$    | Output LOW Voltage (Note 2)  | 3065  | 3190 | 3315 | 3130 | 3255 | 3380 | 3190 | 3315 | 3440 | mV            |
| $V_{IH}$    | Input HIGH Voltage (Single-Ended)  | 3790  |      | 4115 | 3855 |      | 4180 | 3915 |      | 4240 | mV            |
| $V_{IL}$    | Input LOW Voltage (Single-Ended)   | 3065  |      | 3390 | 3130 |      | 3455 | 3190 |      | 3515 | mV            |
| $V_{IHCMR}$ | Input HIGH Voltage Common Mode Range (Differential Configuration) (Note 3) | 2.0   |      | 5.0  | 2.0  |      | 5.0  | 2.0  |      | 5.0  | V             |
| $I_{IH}$    | Input HIGH Current   |       |      | 150  |      |      | 150  |      |      | 150  | $\mu\text{A}$ |
| $I_{IL}$    | Input LOW Current  | 0.5   |      |      | 0.5  |      |      | 0.5  |      |      | $\mu\text{A}$ |

NOTE: Device will meet the specifications after thermal equilibrium has been established when mounted in a test socket or printed circuit board with maintained transverse airflow greater than 500 lpm.

1. Input and output parameters vary 1:1 with  $V_{CC}$ .  $V_{EE}$  can vary +2.0 V to -0.5 V.
2. All loading with 50  $\Omega$  to  $V_{CC} - 2.0\text{ V}$ .
3.  $V_{IHCMR}$  min varies 1:1 with  $V_{EE}$ ,  $V_{IHCMR}$  max varies 1:1 with  $V_{CC}$ . The  $V_{IHCMR}$  range is referenced to the most positive side of the differential input signal.

**Table 7. 10EP DC CHARACTERISTICS, NECL** ( $V_{CC} = 0\text{ V}$ ,  $V_{EE} = -5.5\text{ V}$  to  $-3.0\text{ V}$  (Note 1))

| Symbol      | Characteristic   | -40°C        |       |       | 25°C         |       |       | 85°C         |       |       | Unit          |
|-------------|--|--------------|-------|-------|--------------|-------|-------|--------------|-------|-------|---------------|
|             |  | Min          | Typ   | Max   | Min          | Typ   | Max   | Min          | Typ   | Max   |               |
| $I_{EE}$    | Power Supply Current   | 20           | 34    | 44    | 20           | 35    | 45    | 20           | 37    | 47    | mA            |
| $V_{OH}$    | Output HIGH Voltage (Note 2)   | -1135        | -1010 | -885  | -1070        | -945  | -820  | -1010        | -885  | -760  | mV            |
| $V_{OL}$    | Output LOW Voltage (Note 2)  | -1935        | -1810 | -1685 | -1870        | -1745 | -1620 | -1810        | -1685 | -1560 | mV            |
| $V_{IH}$    | Input HIGH Voltage (Single-Ended)  | -1210        |       | -885  | -1145        |       | -820  | -1085        |       | -760  | mV            |
| $V_{IL}$    | Input LOW Voltage (Single-Ended)   | -1935        |       | -1610 | -1870        |       | -1545 | -1810        |       | -1485 | mV            |
| $V_{IHCMR}$ | Input HIGH Voltage Common Mode Range (Differential Configuration) (Note 3) | $V_{EE}+2.0$ |       | 0.0   | $V_{EE}+2.0$ |       | 0.0   | $V_{EE}+2.0$ |       | 0.0   | V             |
| $I_{IH}$    | Input HIGH Current   |              |       | 150   |              |       | 150   |              |       | 150   | $\mu\text{A}$ |
| $I_{IL}$    | Input LOW Current  | 0.5          |       |       | 0.5          |       |       | 0.5          |       |       | $\mu\text{A}$ |

NOTE: Device will meet the specifications after thermal equilibrium has been established when mounted in a test socket or printed circuit board with maintained transverse airflow greater than 500 lpm.

1. Input and output parameters vary 1:1 with  $V_{CC}$ .
2. All loading with 50  $\Omega$  to  $V_{CC} - 2.0\text{ V}$ .
3.  $V_{IHCMR}$  min varies 1:1 with  $V_{EE}$ ,  $V_{IHCMR}$  max varies 1:1 with  $V_{CC}$ . The  $V_{IHCMR}$  range is referenced to the most positive side of the differential input signal.

## MC10EP52, MC100EP52

**Table 8. 100EP DC CHARACTERISTICS, PECL** ( $V_{CC} = 3.3\text{ V}$ ,  $V_{EE} = 0\text{ V}$  (Note 1))

| Symbol      | Characteristic   | -40°C |      |      | 25°C |      |      | 85°C |      |      | Unit          |
|-------------|--|-------|------|------|------|------|------|------|------|------|---------------|
|             |  | Min   | Typ  | Max  | Min  | Typ  | Max  | Min  | Typ  | Max  |               |
| $I_{EE}$    | Power Supply Current   | 20    | 34   | 44   | 20   | 35   | 45   | 20   | 37   | 47   | mA            |
| $V_{OH}$    | Output HIGH Voltage (Note 2)   | 2155  | 2280 | 2405 | 2155 | 2280 | 2405 | 2155 | 2280 | 2405 | mV            |
| $V_{OL}$    | Output LOW Voltage (Note 2)  | 1355  | 1480 | 1605 | 1355 | 1480 | 1605 | 1355 | 1480 | 1605 | mV            |
| $V_{IH}$    | Input HIGH Voltage (Single-Ended)  | 2075  |      | 2420 | 2075 |      | 2420 | 2075 |      | 2420 | mV            |
| $V_{IL}$    | Input LOW Voltage (Single-Ended)   | 1355  |      | 1675 | 1355 |      | 1675 | 1355 |      | 1675 | mV            |
| $V_{IHCMR}$ | Input HIGH Voltage Common Mode Range (Differential Configuration) (Note 3) | 2.0   |      | 3.3  | 2.0  |      | 3.3  | 2.0  |      | 3.3  | V             |
| $I_{IH}$    | Input HIGH Current   |       |      | 150  |      |      | 150  |      |      | 150  | $\mu\text{A}$ |
| $I_{IL}$    | Input LOW Current  | 0.5   |      |      | 0.5  |      |      | 0.5  |      |      | $\mu\text{A}$ |

NOTE: Device will meet the specifications after thermal equilibrium has been established when mounted in a test socket or printed circuit board with maintained transverse airflow greater than 500 lpm.

1. Input and output parameters vary 1:1 with  $V_{CC}$ .  $V_{EE}$  can vary +0.3 V to -2.2 V.
2. All loading with 50  $\Omega$  to  $V_{CC} - 2.0\text{ V}$ .
3.  $V_{IHCMR}$  min varies 1:1 with  $V_{EE}$ .  $V_{IHCMR}$  max varies 1:1 with  $V_{CC}$ . The  $V_{IHCMR}$  range is referenced to the most positive side of the differential input signal.

**Table 9. 100EP DC CHARACTERISTICS, PECL** ( $V_{CC} = 5.0\text{ V}$ ,  $V_{EE} = 0\text{ V}$  (Note 1))

| Symbol      | Characteristic   | -40°C |      |      | 25°C |      |      | 85°C |      |      | Unit          |
|-------------|--|-------|------|------|------|------|------|------|------|------|---------------|
|             |  | Min   | Typ  | Max  | Min  | Typ  | Max  | Min  | Typ  | Max  |               |
| $I_{EE}$    | Power Supply Current   | 20    | 34   | 44   | 20   | 35   | 45   | 20   | 37   | 47   | mA            |
| $V_{OH}$    | Output HIGH Voltage (Note 2)   | 3855  | 3980 | 4105 | 3855 | 3980 | 4105 | 3855 | 3980 | 4105 | mV            |
| $V_{OL}$    | Output LOW Voltage (Note 2)  | 3055  | 3180 | 3305 | 3055 | 3180 | 3305 | 3055 | 3180 | 3305 | mV            |
| $V_{IH}$    | Input HIGH Voltage (Single-Ended)  | 3775  |      | 4120 | 3775 |      | 4120 | 3775 |      | 4120 | mV            |
| $V_{IL}$    | Input LOW Voltage (Single-Ended)   | 3055  |      | 3375 | 3055 |      | 3375 | 3055 |      | 3375 | mV            |
| $V_{IHCMR}$ | Input HIGH Voltage Common Mode Range (Differential Configuration) (Note 3) | 2.0   |      | 5.0  | 2.0  |      | 5.0  | 2.0  |      | 5.0  | V             |
| $I_{IH}$    | Input HIGH Current   |       |      | 150  |      |      | 150  |      |      | 150  | $\mu\text{A}$ |
| $I_{IL}$    | Input LOW Current  | 0.5   |      |      | 0.5  |      |      | 0.5  |      |      | $\mu\text{A}$ |

NOTE: Device will meet the specifications after thermal equilibrium has been established when mounted in a test socket or printed circuit board with maintained transverse airflow greater than 500 lpm.

1. Input and output parameters vary 1:1 with  $V_{CC}$ .  $V_{EE}$  can vary +2.0 V to -0.5 V.
2. All loading with 50  $\Omega$  to  $V_{CC} - 2.0\text{ V}$ .
3.  $V_{IHCMR}$  min varies 1:1 with  $V_{EE}$ .  $V_{IHCMR}$  max varies 1:1 with  $V_{CC}$ . The  $V_{IHCMR}$  range is referenced to the most positive side of the differential input signal.

# MC10EP52, MC100EP52

**Table 10. 100EP DC CHARACTERISTICS, NECL** ( $V_{CC} = 0\text{ V}$ ,  $V_{EE} = -5.5\text{ V}$  to  $-3.0\text{ V}$  (Note 1))

| Symbol      | Characteristic   | -40°C        |       |       | 25°C         |       |       | 85°C         |       |       | Unit          |
|-------------|--|--------------|-------|-------|--------------|-------|-------|--------------|-------|-------|---------------|
|             |  | Min          | Typ   | Max   | Min          | Typ   | Max   | Min          | Typ   | Max   |               |
| $I_{EE}$    | Power Supply Current   | 20           | 34    | 44    | 20           | 35    | 45    | 20           | 37    | 47    | mA            |
| $V_{OH}$    | Output HIGH Voltage (Note 2)   | -1145        | -1020 | -895  | -1145        | -1020 | -895  | -1145        | -1020 | -895  | mV            |
| $V_{OL}$    | Output LOW Voltage (Note 2)  | -1945        | -1820 | -1695 | -1945        | -1820 | -1695 | -1945        | -1820 | -1695 | mV            |
| $V_{IH}$    | Input HIGH Voltage (Single-Ended)  | -1225        |       | -880  | -1225        |       | -880  | -1225        |       | -880  | mV            |
| $V_{IL}$    | Input LOW Voltage (Single-Ended)   | -1945        |       | -1625 | -1945        |       | -1625 | -1945        |       | -1625 | mV            |
| $V_{IHCMR}$ | Input HIGH Voltage Common Mode Range (Differential Configuration) (Note 3) | $V_{EE}+2.0$ |       | 0.0   | $V_{EE}+2.0$ |       | 0.0   | $V_{EE}+2.0$ |       | 0.0   | V             |
| $I_{IH}$    | Input HIGH Current   |              |       | 150   |              |       | 150   |              |       | 150   | $\mu\text{A}$ |
| $I_{IL}$    | Input LOW Current  | 0.5          |       |       | 0.5          |       |       | 0.5          |       |       | $\mu\text{A}$ |

NOTE: Device will meet the specifications after thermal equilibrium has been established when mounted in a test socket or printed circuit board with maintained transverse airflow greater than 500 lpm.

1. Input and output parameters vary 1:1 with  $V_{CC}$ .
2. All loading with  $50\ \Omega$  to  $V_{CC} - 2.0\text{ V}$ .
3.  $V_{IHCMR}$  min varies 1:1 with  $V_{EE}$ .  $V_{IHCMR}$  max varies 1:1 with  $V_{CC}$ . The  $V_{IHCMR}$  range is referenced to the most positive side of the differential input signal.

**Table 11. AC CHARACTERISTICS** ( $V_{CC} = 0\text{ V}$ ;  $V_{EE} = -3.0\text{ V}$  to  $-5.5\text{ V}$  or  $V_{CC} = 3.0\text{ V}$  to  $5.5\text{ V}$ ;  $V_{EE} = 0\text{ V}$  (Note 1))

| Symbol                   | Characteristic  | -40°C   |     |      | 25°C    |     |      | 85°C    |     |      | Unit |
|--------------------------|---|---------|-----|------|---------|-----|------|---------|-----|------|------|
|                          |   | Min     | Typ | Max  | Min     | Typ | Max  | Min     | Typ | Max  |      |
| $V_{OUTpp}$              | Output Voltage Amplitude @ 3.0 GHz (Figure 2)   | 630     | 750 |      | 610     | 730 |      | 520     | 640 |      | GHz  |
| $t_{PLH}$ ,<br>$t_{PHL}$ | Propagation Delay to Output Differential<br>CLK, $\overline{\text{CLK}}$ → Q, $\overline{\text{Q}}$ | 250     | 300 | 350  | 280     | 330 | 380  | 310     | 360 | 410  | ps   |
| $t_S$<br>$t_H$           | Setup Time<br>Hold Time   | 50<br>0 |     |      | 50<br>0 |     |      | 50<br>0 |     |      | ps   |
| $t_{JITTER}$             | CLOCK Random Jitter (RMS) (Figure 2)  |         | 0.2 | 1    |         | 0.2 | 1    |         | 0.2 | 1    | ps   |
| $V_{PP}$                 | Input Voltage Swing (Differential Configuration)  | 150     | 800 | 1200 | 150     | 800 | 1200 | 150     | 800 | 1200 | mV   |
| $t_r$<br>$t_f$           | Output Rise/Fall Times (20%–80%)<br>Q, $\overline{\text{Q}}$  | 70      | 110 | 170  | 80      | 120 | 180  | 90      | 130 | 200  | ps   |

NOTE: Device will meet the specifications after thermal equilibrium has been established when mounted in a test socket or printed circuit board with maintained transverse airflow greater than 500 lpm.

1. Measured using a 750 mV source, 50% duty cycle clock source. All loading with  $50\ \Omega$  to  $V_{CC} - 2.0\text{ V}$ .

## MC10EP52, MC100EP52

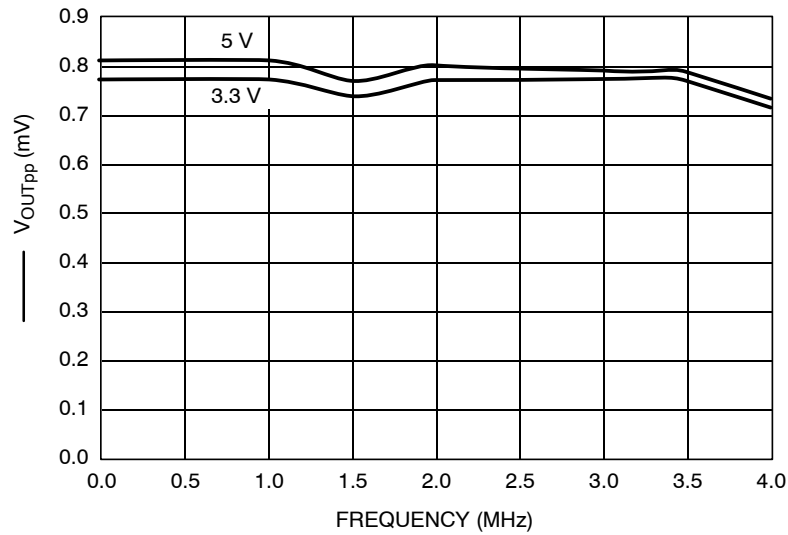


Figure 2. F<sub>max</sub> Typical

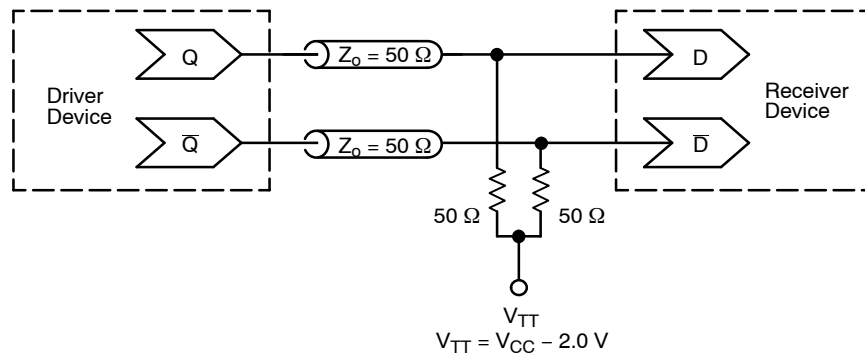


Figure 3. Typical Termination for Output Driver and Device Evaluation  
(See Application Note [AND8020/D](#) – Termination of ECL Logic Devices)

### Resource Reference of Application Notes

- AN1405/D** – ECL Clock Distribution Techniques
- AN1406/D** – Designing with PECL (ECL at +5.0 V)
- AN1503/D** – ECLinPS™ I/O SPiCE Modeling Kit
- AN1504/D** – Metastability and the ECLinPS Family
- AN1568/D** – Interfacing Between LVDS and ECL
- AN1672/D** – The ECL Translator Guide
- AND8001/D** – Odd Number Counters Design
- AND8002/D** – Marking and Date Codes
- AND8020/D** – Termination of ECL Logic Devices
- AND8066/D** – Interfacing with ECLinPS
- AND8090/D** – AC Characteristics of ECL Devices

# MECHANICAL CASE OUTLINE

## PACKAGE DIMENSIONS

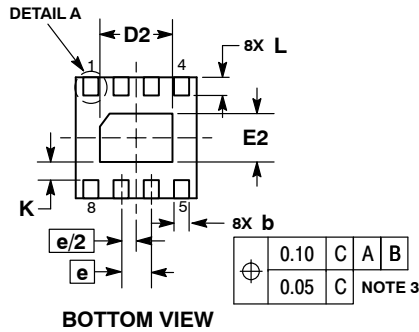
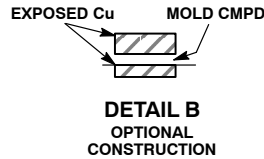
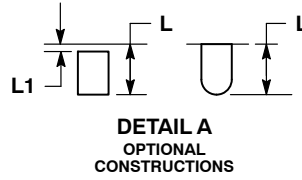
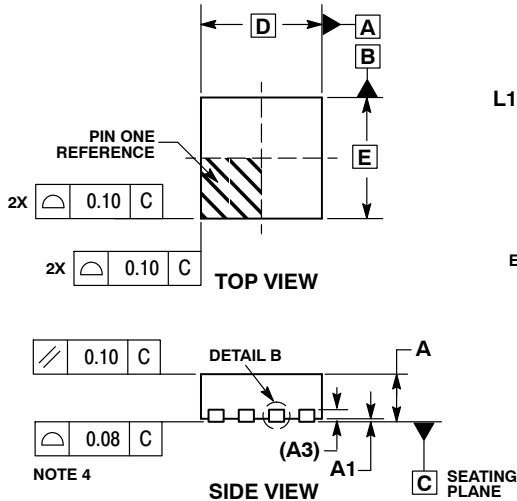
ON Semiconductor®



SCALE 4:1

DFN8 2x2, 0.5P  
CASE 506AA-01  
ISSUE E

DATE 22 JAN 2010

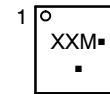


**NOTES:**

1. DIMENSIONING AND TOLERANCING PER ASME Y14.5M, 1994.
2. CONTROLLING DIMENSION: MILLIMETERS.
3. DIMENSION b APPLIES TO PLATED TERMINAL AND IS MEASURED BETWEEN 0.15 AND 0.20 MM FROM TERMINAL TIP.
4. COPLANARITY APPLIES TO THE EXPOSED PAD AS WELL AS THE TERMINALS.

| MILLIMETERS |      |      |
|-------------|------|------|
| DIM         | MIN  | MAX  |
| A           | 0.80 | 1.00 |
| A1          | 0.00 | 0.05 |
| A3          | 0.20 | REF  |
| b           | 0.20 | 0.30 |
| D           | 2.00 | BSC  |
| D2          | 1.10 | 1.30 |
| E           | 2.00 | BSC  |
| E2          | 0.70 | 0.90 |
| e           | 0.50 | BSC  |
| K           | 0.30 | REF  |
| L           | 0.25 | 0.35 |
| L1          | ---  | 0.10 |

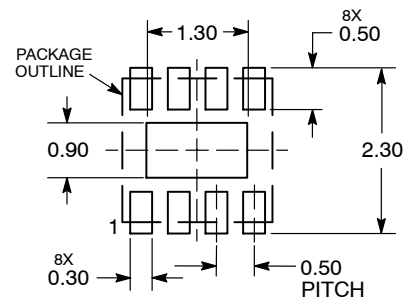
**GENERIC MARKING DIAGRAM\***



- XX = Specific Device Code
- M = Date Code
- = Pb-Free Device

\*This information is generic. Please refer to device data sheet for actual part marking. Pb-Free indicator, "G" or microdot "■", may or may not be present.

**RECOMMENDED SOLDERING FOOTPRINT\***



DIMENSIONS: MILLIMETERS

\*For additional information on our Pb-Free strategy and soldering details, please download the ON Semiconductor Soldering and Mounting Techniques Reference Manual, SOLDERRM/D.

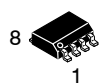
|                         |                                   |  |
|-------------------------|-----------------------------------|--|
| <b>DOCUMENT NUMBER:</b> | <b>98AON18658D</b>                | Electronic versions are uncontrolled except when accessed directly from the Document Repository. Printed versions are uncontrolled except when stamped "CONTROLLED COPY" in red. |
| <b>DESCRIPTION:</b>     | <b>DFN8, 2.0X2.0, 0.5MM PITCH</b> | <b>PAGE 1 OF 1</b>   |

ON Semiconductor and are trademarks of Semiconductor Components Industries, LLC dba ON Semiconductor or its subsidiaries in the United States and/or other countries. ON Semiconductor reserves the right to make changes without further notice to any products herein. ON Semiconductor makes no warranty, representation or guarantee regarding the suitability of its products for any particular purpose, nor does ON Semiconductor assume any liability arising out of the application or use of any product or circuit, and specifically disclaims any and all liability, including without limitation special, consequential or incidental damages. ON Semiconductor does not convey any license under its patent rights nor the rights of others.



# MECHANICAL CASE OUTLINE PACKAGE DIMENSIONS

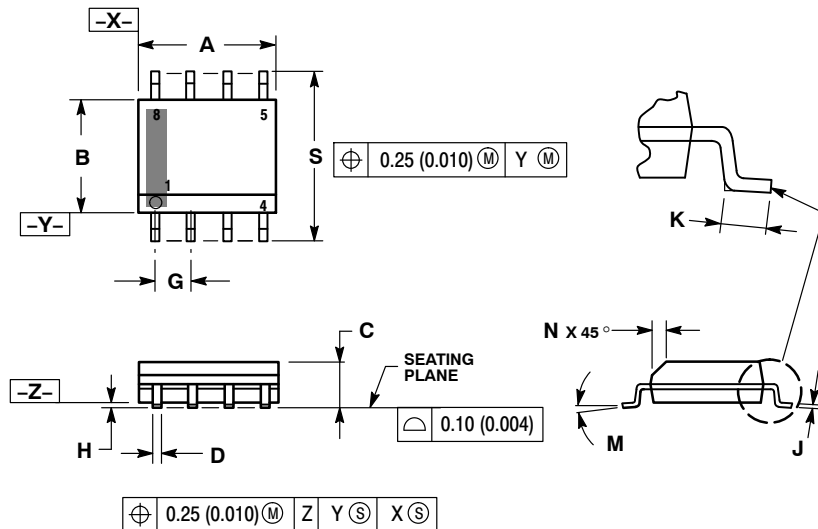
ON Semiconductor®



SCALE 1:1

SOIC-8 NB  
CASE 751-07  
ISSUE AK

DATE 16 FEB 2011



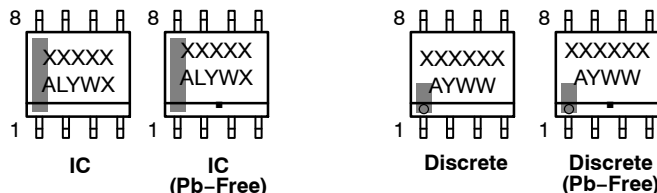
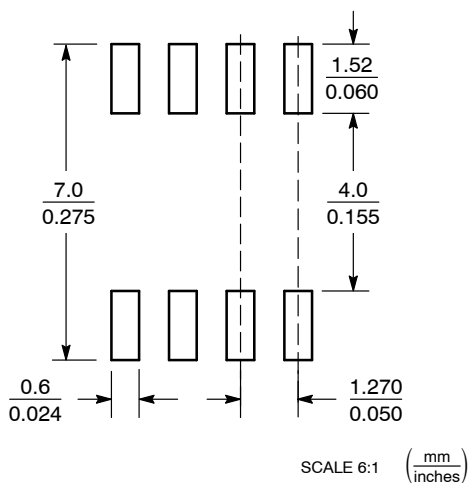
NOTES:

1. DIMENSIONING AND TOLERANCING PER ANSI Y14.5M, 1982.
2. CONTROLLING DIMENSION: MILLIMETER.
3. DIMENSION A AND B DO NOT INCLUDE MOLD PROTRUSION.
4. MAXIMUM MOLD PROTRUSION 0.15 (0.006) PER SIDE.
5. DIMENSION D DOES NOT INCLUDE DAMBAR PROTRUSION. ALLOWABLE DAMBAR PROTRUSION SHALL BE 0.127 (0.005) TOTAL IN EXCESS OF THE D DIMENSION AT MAXIMUM MATERIAL CONDITION.
6. 751-01 THRU 751-06 ARE OBSOLETE. NEW STANDARD IS 751-07.

| DIM | MILLIMETERS |      | INCHES    |       |
|-----|-------------|------|-----------|-------|
|     | MIN         | MAX  | MIN       | MAX   |
| A   | 4.80        | 5.00 | 0.189     | 0.197 |
| B   | 3.80        | 4.00 | 0.150     | 0.157 |
| C   | 1.35        | 1.75 | 0.053     | 0.069 |
| D   | 0.33        | 0.51 | 0.013     | 0.020 |
| G   | 1.27 BSC    |      | 0.050 BSC |       |
| H   | 0.10        | 0.25 | 0.004     | 0.010 |
| J   | 0.19        | 0.25 | 0.007     | 0.010 |
| K   | 0.40        | 1.27 | 0.016     | 0.050 |
| M   | 0°          | 8°   | 0°        | 8°    |
| N   | 0.25        | 0.50 | 0.010     | 0.020 |
| S   | 5.80        | 6.20 | 0.228     | 0.244 |

### GENERIC MARKING DIAGRAM\*

### SOLDERING FOOTPRINT\*



XXXXXX = Specific Device Code  
 A = Assembly Location  
 L = Wafer Lot  
 Y = Year  
 W = Work Week  
 ■ = Pb-Free Package

XXXXXX = Specific Device Code  
 A = Assembly Location  
 Y = Year  
 WW = Work Week  
 ■ = Pb-Free Package

\*This information is generic. Please refer to device data sheet for actual part marking. Pb-Free indicator, "G" or microdot "•", may or may not be present. Some products may not follow the Generic Marking.

\*For additional information on our Pb-Free strategy and soldering details, please download the ON Semiconductor Soldering and Mounting Techniques Reference Manual, SOLDERRM/D.

### STYLES ON PAGE 2

|                  |             |  |
|------------------|-------------|--|
| DOCUMENT NUMBER: | 98ASB42564B | Electronic versions are uncontrolled except when accessed directly from the Document Repository. Printed versions are uncontrolled except when stamped "CONTROLLED COPY" in red. |
| DESCRIPTION:     | SOIC-8 NB   | PAGE 1 OF 2  |

ON Semiconductor and ON are trademarks of Semiconductor Components Industries, LLC dba ON Semiconductor or its subsidiaries in the United States and/or other countries. ON Semiconductor reserves the right to make changes without further notice to any products herein. ON Semiconductor makes no warranty, representation or guarantee regarding the suitability of its products for any particular purpose, nor does ON Semiconductor assume any liability arising out of the application or use of any product or circuit, and specifically disclaims any and all liability, including without limitation special, consequential or incidental damages. ON Semiconductor does not convey any license under its patent rights nor the rights of others.

**SOIC-8 NB**  
**CASE 751-07**  
**ISSUE AK**

DATE 16 FEB 2011

- |  |   |   |   |
|--|---|---|---|
| <p><b>STYLE 1:</b><br/>         PIN 1. EMITTER<br/>         2. COLLECTOR<br/>         3. COLLECTOR<br/>         4. EMITTER<br/>         5. EMITTER<br/>         6. BASE<br/>         7. BASE<br/>         8. EMITTER</p>   | <p><b>STYLE 2:</b><br/>         PIN 1. COLLECTOR, DIE, #1<br/>         2. COLLECTOR, #1<br/>         3. COLLECTOR, #2<br/>         4. COLLECTOR, #2<br/>         5. BASE, #2<br/>         6. EMITTER, #2<br/>         7. BASE, #1<br/>         8. EMITTER, #1</p>               | <p><b>STYLE 3:</b><br/>         PIN 1. DRAIN, DIE #1<br/>         2. DRAIN, #1<br/>         3. DRAIN, #2<br/>         4. DRAIN, #2<br/>         5. GATE, #2<br/>         6. SOURCE, #2<br/>         7. GATE, #1<br/>         8. SOURCE, #1</p>                            | <p><b>STYLE 4:</b><br/>         PIN 1. ANODE<br/>         2. ANODE<br/>         3. ANODE<br/>         4. ANODE<br/>         5. ANODE<br/>         6. ANODE<br/>         7. ANODE<br/>         8. COMMON CATHODE</p>   |
| <p><b>STYLE 5:</b><br/>         PIN 1. DRAIN<br/>         2. DRAIN<br/>         3. DRAIN<br/>         4. DRAIN<br/>         5. GATE<br/>         6. GATE<br/>         7. SOURCE<br/>         8. SOURCE</p>   | <p><b>STYLE 6:</b><br/>         PIN 1. SOURCE<br/>         2. DRAIN<br/>         3. DRAIN<br/>         4. SOURCE<br/>         5. SOURCE<br/>         6. GATE<br/>         7. GATE<br/>         8. SOURCE</p>  | <p><b>STYLE 7:</b><br/>         PIN 1. INPUT<br/>         2. EXTERNAL BYPASS<br/>         3. THIRD STAGE SOURCE<br/>         4. GROUND<br/>         5. DRAIN<br/>         6. GATE 3<br/>         7. SECOND STAGE Vd<br/>         8. FIRST STAGE Vd</p>                    | <p><b>STYLE 8:</b><br/>         PIN 1. COLLECTOR, DIE #1<br/>         2. BASE, #1<br/>         3. BASE, #2<br/>         4. COLLECTOR, #2<br/>         5. COLLECTOR, #2<br/>         6. EMITTER, #2<br/>         7. EMITTER, #1<br/>         8. COLLECTOR, #1</p>                              |
| <p><b>STYLE 9:</b><br/>         PIN 1. EMITTER, COMMON<br/>         2. COLLECTOR, DIE #1<br/>         3. COLLECTOR, DIE #2<br/>         4. EMITTER, COMMON<br/>         5. EMITTER, COMMON<br/>         6. BASE, DIE #2<br/>         7. BASE, DIE #1<br/>         8. EMITTER, COMMON</p> | <p><b>STYLE 10:</b><br/>         PIN 1. GROUND<br/>         2. BIAS 1<br/>         3. OUTPUT<br/>         4. GROUND<br/>         5. GROUND<br/>         6. BIAS 2<br/>         7. INPUT<br/>         8. GROUND</p>  | <p><b>STYLE 11:</b><br/>         PIN 1. SOURCE 1<br/>         2. GATE 1<br/>         3. SOURCE 2<br/>         4. GATE 2<br/>         5. DRAIN 2<br/>         6. DRAIN 2<br/>         7. DRAIN 1<br/>         8. DRAIN 1</p>   | <p><b>STYLE 12:</b><br/>         PIN 1. SOURCE<br/>         2. SOURCE<br/>         3. SOURCE<br/>         4. GATE<br/>         5. DRAIN<br/>         6. DRAIN<br/>         7. DRAIN<br/>         8. DRAIN</p>   |
| <p><b>STYLE 13:</b><br/>         PIN 1. N.C.<br/>         2. SOURCE<br/>         3. SOURCE<br/>         4. GATE<br/>         5. DRAIN<br/>         6. DRAIN<br/>         7. DRAIN<br/>         8. DRAIN</p>  | <p><b>STYLE 14:</b><br/>         PIN 1. N-SOURCE<br/>         2. N-GATE<br/>         3. P-SOURCE<br/>         4. P-GATE<br/>         5. P-DRAIN<br/>         6. P-DRAIN<br/>         7. N-DRAIN<br/>         8. N-DRAIN</p>   | <p><b>STYLE 15:</b><br/>         PIN 1. ANODE 1<br/>         2. ANODE 1<br/>         3. ANODE 1<br/>         4. ANODE 1<br/>         5. CATHODE, COMMON<br/>         6. CATHODE, COMMON<br/>         7. CATHODE, COMMON<br/>         8. CATHODE, COMMON</p>               | <p><b>STYLE 16:</b><br/>         PIN 1. EMITTER, DIE #1<br/>         2. BASE, DIE #1<br/>         3. EMITTER, DIE #2<br/>         4. BASE, DIE #2<br/>         5. COLLECTOR, DIE #2<br/>         6. COLLECTOR, DIE #2<br/>         7. COLLECTOR, DIE #1<br/>         8. COLLECTOR, DIE #1</p> |
| <p><b>STYLE 17:</b><br/>         PIN 1. VCC<br/>         2. V2OUT<br/>         3. V1OUT<br/>         4. TXE<br/>         5. RXE<br/>         6. VEE<br/>         7. GND<br/>         8. ACC</p>  | <p><b>STYLE 18:</b><br/>         PIN 1. ANODE<br/>         2. ANODE<br/>         3. SOURCE<br/>         4. GATE<br/>         5. DRAIN<br/>         6. DRAIN<br/>         7. CATHODE<br/>         8. CATHODE</p>   | <p><b>STYLE 19:</b><br/>         PIN 1. SOURCE 1<br/>         2. GATE 1<br/>         3. SOURCE 2<br/>         4. GATE 2<br/>         5. DRAIN 2<br/>         6. MIRROR 2<br/>         7. DRAIN 1<br/>         8. MIRROR 1</p>   | <p><b>STYLE 20:</b><br/>         PIN 1. SOURCE (N)<br/>         2. GATE (N)<br/>         3. SOURCE (P)<br/>         4. GATE (P)<br/>         5. DRAIN<br/>         6. DRAIN<br/>         7. DRAIN<br/>         8. DRAIN</p>   |
| <p><b>STYLE 21:</b><br/>         PIN 1. CATHODE 1<br/>         2. CATHODE 2<br/>         3. CATHODE 3<br/>         4. CATHODE 4<br/>         5. CATHODE 5<br/>         6. COMMON ANODE<br/>         7. COMMON ANODE<br/>         8. CATHODE 6</p>  | <p><b>STYLE 22:</b><br/>         PIN 1. I/O LINE 1<br/>         2. COMMON CATHODE/VCC<br/>         3. COMMON CATHODE/VCC<br/>         4. I/O LINE 3<br/>         5. COMMON ANODE/GND<br/>         6. I/O LINE 4<br/>         7. I/O LINE 5<br/>         8. COMMON ANODE/GND</p> | <p><b>STYLE 23:</b><br/>         PIN 1. LINE 1 IN<br/>         2. COMMON ANODE/GND<br/>         3. COMMON ANODE/GND<br/>         4. LINE 2 IN<br/>         5. LINE 2 OUT<br/>         6. COMMON ANODE/GND<br/>         7. COMMON ANODE/GND<br/>         8. LINE 1 OUT</p> | <p><b>STYLE 24:</b><br/>         PIN 1. BASE<br/>         2. EMITTER<br/>         3. COLLECTOR/ANODE<br/>         4. COLLECTOR/ANODE<br/>         5. CATHODE<br/>         6. CATHODE<br/>         7. COLLECTOR/ANODE<br/>         8. COLLECTOR/ANODE</p>                                      |
| <p><b>STYLE 25:</b><br/>         PIN 1. VIN<br/>         2. N/C<br/>         3. REXT<br/>         4. GND<br/>         5. IOUT<br/>         6. IOUT<br/>         7. IOUT<br/>         8. IOUT</p>   | <p><b>STYLE 26:</b><br/>         PIN 1. GND<br/>         2. dv/dt<br/>         3. ENABLE<br/>         4. ILIMIT<br/>         5. SOURCE<br/>         6. SOURCE<br/>         7. SOURCE<br/>         8. VCC</p>  | <p><b>STYLE 27:</b><br/>         PIN 1. ILIMIT<br/>         2. OVLO<br/>         3. UVLO<br/>         4. INPUT+<br/>         5. SOURCE<br/>         6. SOURCE<br/>         7. SOURCE<br/>         8. DRAIN</p>  | <p><b>STYLE 28:</b><br/>         PIN 1. SW_TO_GND<br/>         2. DASIC OFF<br/>         3. DASIC_SW_DET<br/>         4. GND<br/>         5. V_MON<br/>         6. VBULK<br/>         7. VBULK<br/>         8. VIN</p>  |
| <p><b>STYLE 29:</b><br/>         PIN 1. BASE, DIE #1<br/>         2. EMITTER, #1<br/>         3. BASE, #2<br/>         4. EMITTER, #2<br/>         5. COLLECTOR, #2<br/>         6. COLLECTOR, #2<br/>         7. COLLECTOR, #1<br/>         8. COLLECTOR, #1</p>                        | <p><b>STYLE 30:</b><br/>         PIN 1. DRAIN 1<br/>         2. DRAIN 1<br/>         3. GATE 2<br/>         4. SOURCE 2<br/>         5. SOURCE 1/DRAIN 2<br/>         6. SOURCE 1/DRAIN 2<br/>         7. SOURCE 1/DRAIN 2<br/>         8. GATE 1</p>                           |   |   |

|                         |                    |   |
|-------------------------|--------------------|---|
| <b>DOCUMENT NUMBER:</b> | <b>98ASB42564B</b> | Electronic versions are uncontrolled except when accessed directly from the Document Repository.<br>Printed versions are uncontrolled except when stamped "CONTROLLED COPY" in red. |
| <b>DESCRIPTION:</b>     | <b>SOIC-8 NB</b>   | <b>PAGE 2 OF 2</b>  |

ON Semiconductor and  are trademarks of Semiconductor Components Industries, LLC dba ON Semiconductor or its subsidiaries in the United States and/or other countries. ON Semiconductor reserves the right to make changes without further notice to any products herein. ON Semiconductor makes no warranty, representation or guarantee regarding the suitability of its products for any particular purpose, nor does ON Semiconductor assume any liability arising out of the application or use of any product or circuit, and specifically disclaims any and all liability, including without limitation special, consequential or incidental damages. ON Semiconductor does not convey any license under its patent rights nor the rights of others.

# MECHANICAL CASE OUTLINE

## PACKAGE DIMENSIONS

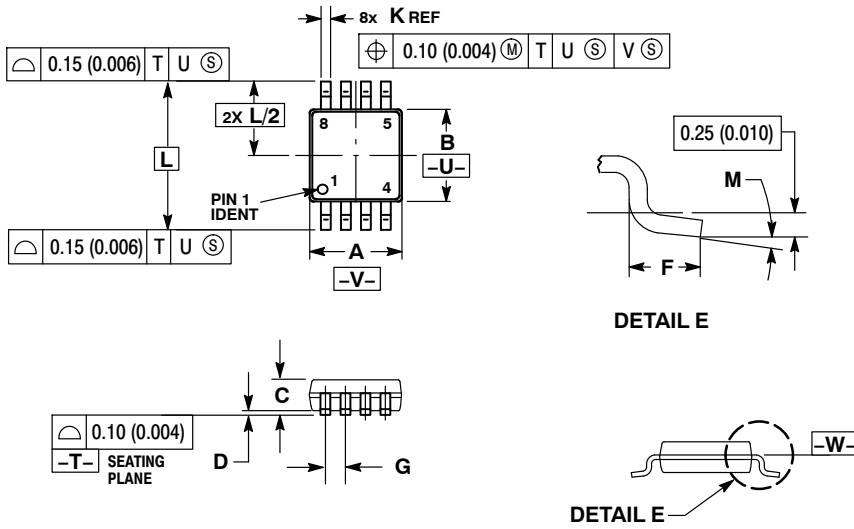
ON Semiconductor®



SCALE 2:1

### TSSOP 8 CASE 948R-02 ISSUE A

DATE 04/07/2000



**NOTES:**

1. DIMENSIONING AND TOLERANCING PER ANSI Y14.5M, 1982.
2. CONTROLLING DIMENSION: MILLIMETER.
3. DIMENSION A DOES NOT INCLUDE MOLD FLASH. PROTRUSIONS OR GATE BURRS. MOLD FLASH OR GATE BURRS SHALL NOT EXCEED 0.15 (0.006) PER SIDE.
4. DIMENSION B DOES NOT INCLUDE INTERLEAD FLASH OR PROTRUSION. INTERLEAD FLASH OR PROTRUSION SHALL NOT EXCEED 0.25 (0.010) PER SIDE.
5. TERMINAL NUMBERS ARE SHOWN FOR REFERENCE ONLY.
6. DIMENSION A AND B ARE TO BE DETERMINED AT DATUM PLANE -V-.

| DIM | MILLIMETERS |      | INCHES    |       |
|-----|-------------|------|-----------|-------|
|     | MIN         | MAX  | MIN       | MAX   |
| A   | 2.90        | 3.10 | 0.114     | 0.122 |
| B   | 2.90        | 3.10 | 0.114     | 0.122 |
| C   | 0.80        | 1.10 | 0.031     | 0.043 |
| D   | 0.05        | 0.15 | 0.002     | 0.006 |
| F   | 0.40        | 0.70 | 0.016     | 0.028 |
| G   | 0.65 BSC    |      | 0.026 BSC |       |
| K   | 0.25        | 0.40 | 0.010     | 0.016 |
| L   | 4.90 BSC    |      | 0.193 BSC |       |
| M   | 0°          | 6°   | 0°        | 6°    |

|                         |                    |  |
|-------------------------|--------------------|--|
| <b>DOCUMENT NUMBER:</b> | <b>98AON00236D</b> | Electronic versions are uncontrolled except when accessed directly from the Document Repository. Printed versions are uncontrolled except when stamped "CONTROLLED COPY" in red. |
| <b>DESCRIPTION:</b>     | <b>TSSOP 8</b>     | <b>PAGE 1 OF 1</b>   |

ON Semiconductor and are trademarks of Semiconductor Components Industries, LLC dba ON Semiconductor or its subsidiaries in the United States and/or other countries. ON Semiconductor reserves the right to make changes without further notice to any products herein. ON Semiconductor makes no warranty, representation or guarantee regarding the suitability of its products for any particular purpose, nor does ON Semiconductor assume any liability arising out of the application or use of any product or circuit, and specifically disclaims any and all liability, including without limitation special, consequential or incidental damages. ON Semiconductor does not convey any license under its patent rights nor the rights of others.