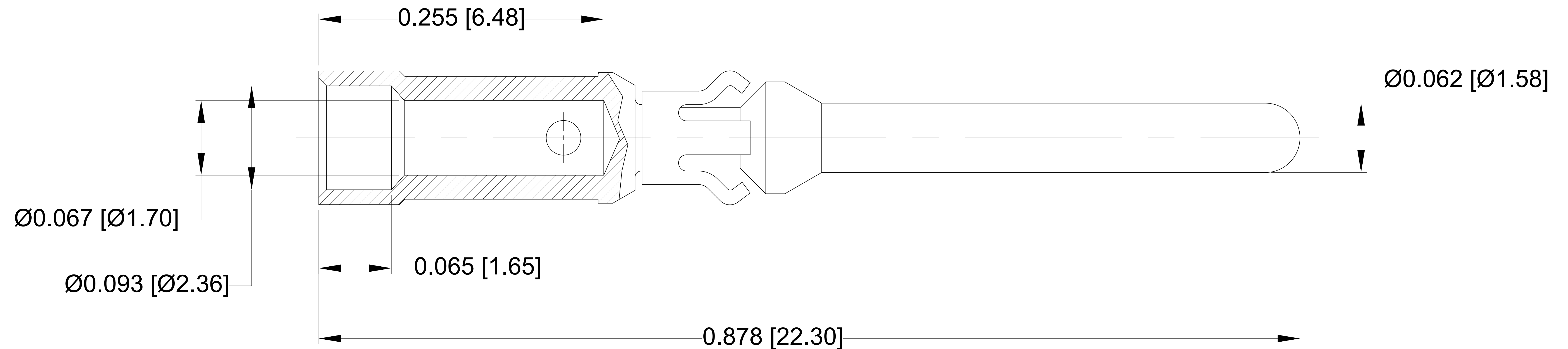
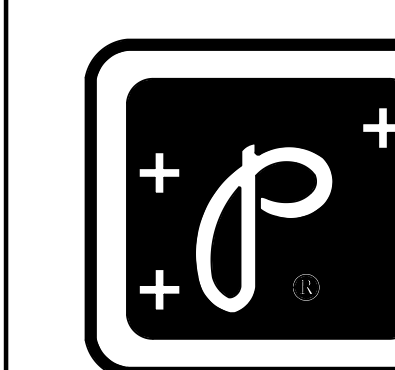


POSITRONIC ASIA PTE. LTD. BELIEVES THE DATA ON THE DRAWING TO BE RELIABLE. SINCE THE TECHNICAL INFORMATION IS GIVEN FREE OF CHARGE, THE USER EMPLOYS SUCH INFORMATION AT HIS OWN DISCRETION AND RISK. POSITRONIC ASIA PTE. LTD. ASSUMES NO RESPONSIBILITY FOR RESULTS OBTAINED OR DAMAGES INCURRED FROM USE OF SUCH INFORMATION IN WHOLE OR IN PART.

DATE	REV	REVISION RECORD	DRN	CKD	APP
29 AUG 19	B	ECO 69233	PY	ND	RK



DRAWING NO.	PART NUMBER	REMARKS
ASK21167-1	MC116N3	-
ASK21167-2	MC116N3/AA	COMPLIANT PER CURRENT RoHS DIRECTIVE.



POSITRONIC ASIA PTE. LTD.

Email: singapore@connectpositronic.com
For more information, please visit website at www.connectpositronic.com

	SERIES	SCALE	DRAWN	CHECKED	APPROVED
	DF	NTS	NK		
GENERAL TOL. LINEAR : ±0.015 [0.38] ANGULAR : ±5°	TITLE				
	MC116N3 MC116N3/AA				
UNLESS OTHERWISE SPECIFIED, ALL DIMENSIONS ARE IN MILLIMETERS [INCHES]	DATE	DRAWING NUMBER			REV.
	05 JUN 07	ASK21167-* SHEET 1 OF 1			B

NOTES:

- MATERIALS AND FINISHES:
CONTACT: PRECISION MACHINED COPPER ALLOY, GOLD FLASH OVER NICKEL PLATE.
RETAINER: BERYLLIUM COPPER, NICKEL PLATE.
- DETAILED PRODUCT, ELECTRICAL AND MECHANICAL INFORMATION IS AVAILABLE IN THE LATEST DRAGONFLY PRODUCT PUBLICATION AT CONNECTPOSITRONIC.COM.
- ALL DIMENSIONS ARE IN INCHES [MILLIMETERS].