

# PF1550

## Power management integrated circuit (PMIC) for low power application processors

Rev. 7 — 29 September 2021

Product data sheet

## 1 General description

The PF1550 is a power management integrated circuit (PMIC) designed specifically for use with i.MX processors on low-power portable, smart wearable and Internet-of-Things (IoT) applications. It is also capable of providing full power solution to i.MX 7ULP, i.MX 6SL, 6UL, 6ULL, and 6SX processors.

With three high-efficiency buck converter, three linear regulators, RTC supply, and battery linear charger, the PF1550 can provide power for a complete battery-powered system, including application processors, memory, and system peripherals.

### 1.1 Features and benefits

This section summarizes the PF1550 features:

- Input voltage range to PMIC VBUSIN pin via USB bus or AC adapter: 4.1 V to 6.0 V
- Buck converters:
  - SW1, 1.0 A; 0.6 V to 1.3875 V in 12.5 mV steps, or 1.1 V to 3.3 V in variable steps
  - SW2, 1.0 A; 0.6 V to 1.3875 V in 12.5 mV steps, or 1.1 V to 3.3 V in variable steps
  - SW3, 1.0 A; 1.8 V to 3.3 V in 100 mV steps
  - Soft start
  - Quiescent current 1.0  $\mu$ A in ULP mode with light load
  - Peak efficiency > 90 %
  - Dynamic voltage scaling on SW1 and SW2
  - Modes: forced PWM quasi-fixed frequency mode, adaptive variable-frequency mode
  - Programmable output voltage, current limit, and soft start
- LDO regulators
  - LDO1, 0.75 V to 1.5 V/1.8 to 3.3 V, 300 mA with load switch mode
  - LDO2, 1.8 V to 3.3 V, 400 mA
  - LDO3, 0.75 V to 1.5 V/1.8 V to 3.3 V, 300 mA with load switch mode
  - Quiescent current < 1.5  $\mu$ A in Low-power mode
  - Programmable output voltage
  - Soft start and ramp
  - Current limit protection



---

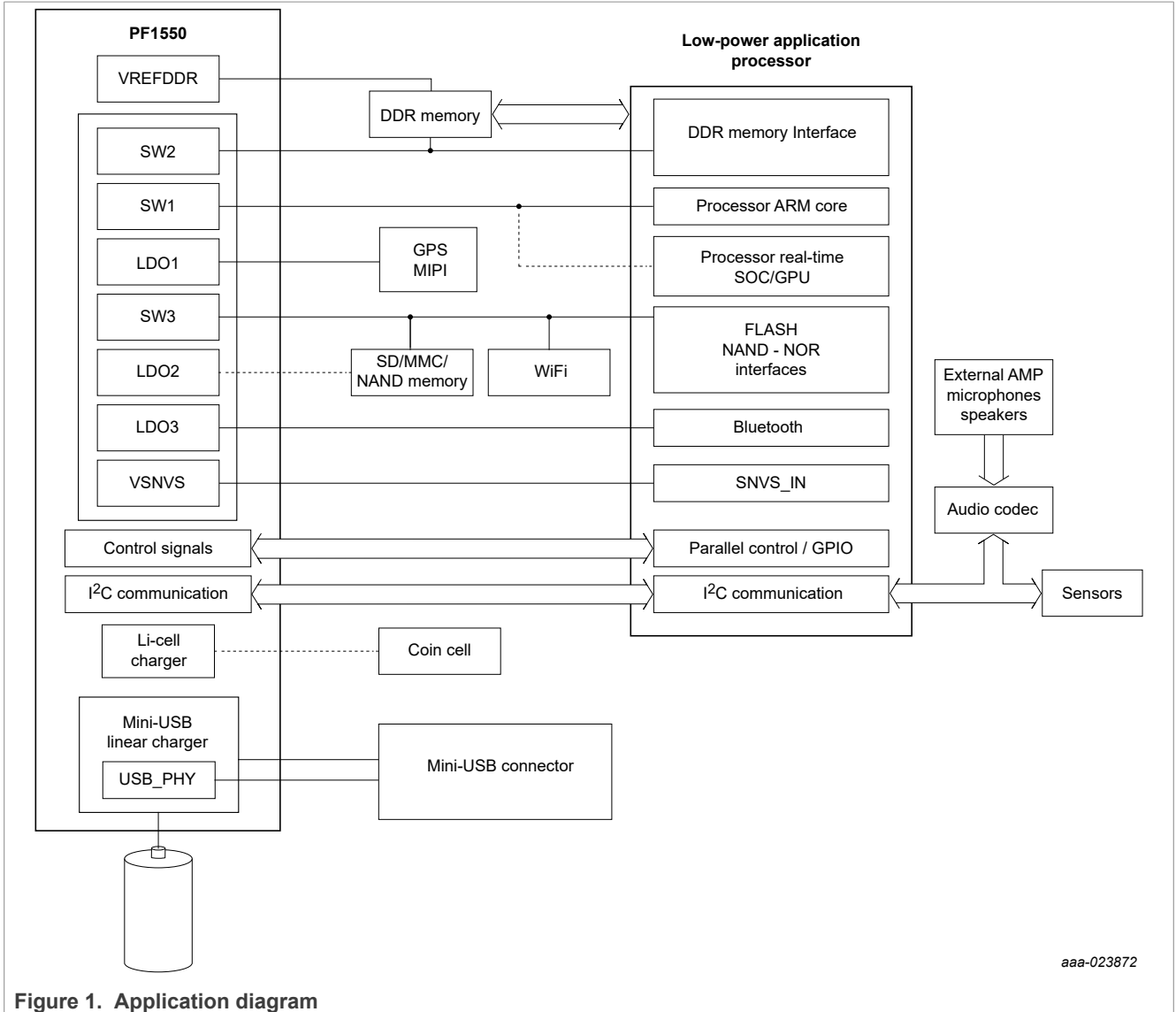
**Power management integrated circuit (PMIC) for low power application processors**

- Battery charger
  - Supports single-cell Lithium Ion/Lithium Polymer batteries
  - Linear charging (10 mA to 1500 mA input limit)
  - Up to 6.5 V input operating range
  - VSYS regulator can withstand transient and DC inputs from 0 V up to +22 V
  - Programmable charge voltage (3.5 V to 4.44 V)
  - Programmable charge current (100 mA to 1000 mA)
  - Programmable charge termination current (5.0 mA to 50 mA)
  - Integrated 50 mΩ battery isolation MOSFET for operation with no/low battery
  - Battery supplement mode
  - Battery discharge overcurrent protection, up to 3.0 A
  - USB\_PHY low dropout linear regulator
  - Programmable LED driver (status indicator)
  - JEITA-compliant battery temp sensing and charger control
  - Key charging parameters can be configured and permanently stored in OTP
  - I<sup>2</sup>C Control Interface permitting processor control and event detection
- LDO/switch supply
  - RTC supply VSNVS 3.0 V, 2.0 mA
  - Battery backed memory including coin cell charger
- DDR memory reference voltage, VREFDDR, 0.5 V to 0.9 V, 10 mA
- OTP (One time programmable) memory for device configuration
  - User programmable start-up sequence, timing, soft-start, and power-down sequence
  - Programmable regulator output voltages and charger parameters
- I<sup>2</sup>C interface
- User programmable Standby, Sleep/Low-power, and Off (REGS\_DISABLE) modes
- Ambient temperature range -40 °C to 105 °C

## 1.2 Applications

- Smart mobile/wearable devices
- Low-power IoT applications
- Wireless game controllers
- Embedded monitoring systems
- Home automation
- POS
- E-Read

## 2 Application diagram



aaa-023872

Figure 1. Application diagram

2.1 Functional block diagram

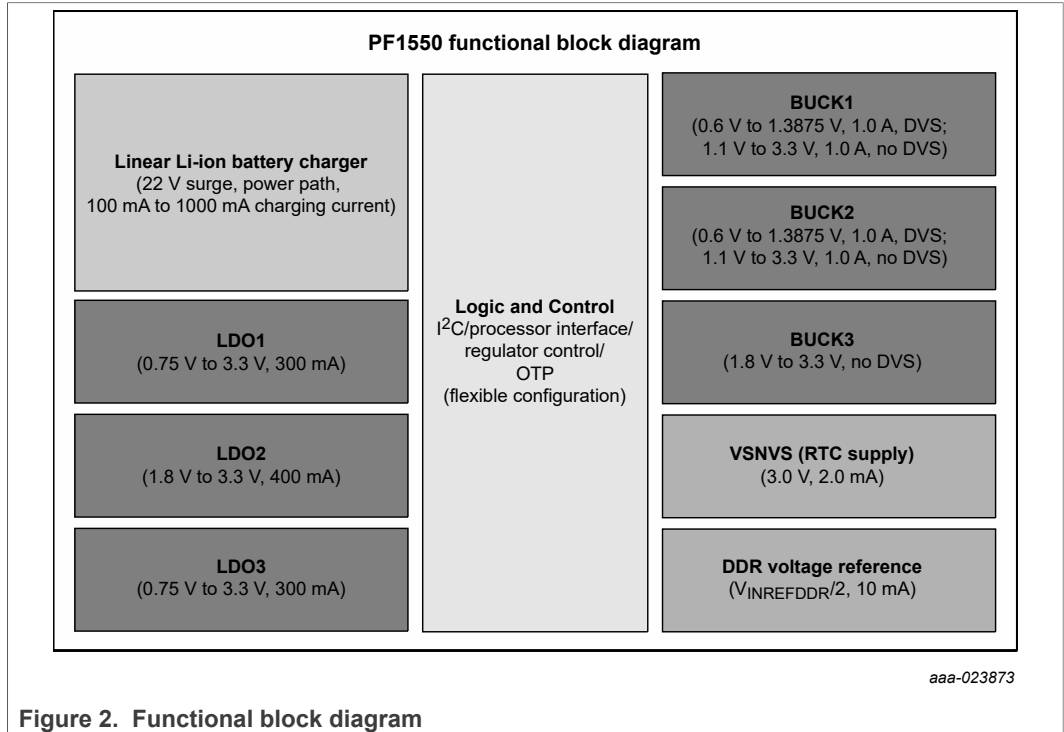


Figure 2. Functional block diagram

2.2 Internal block diagram

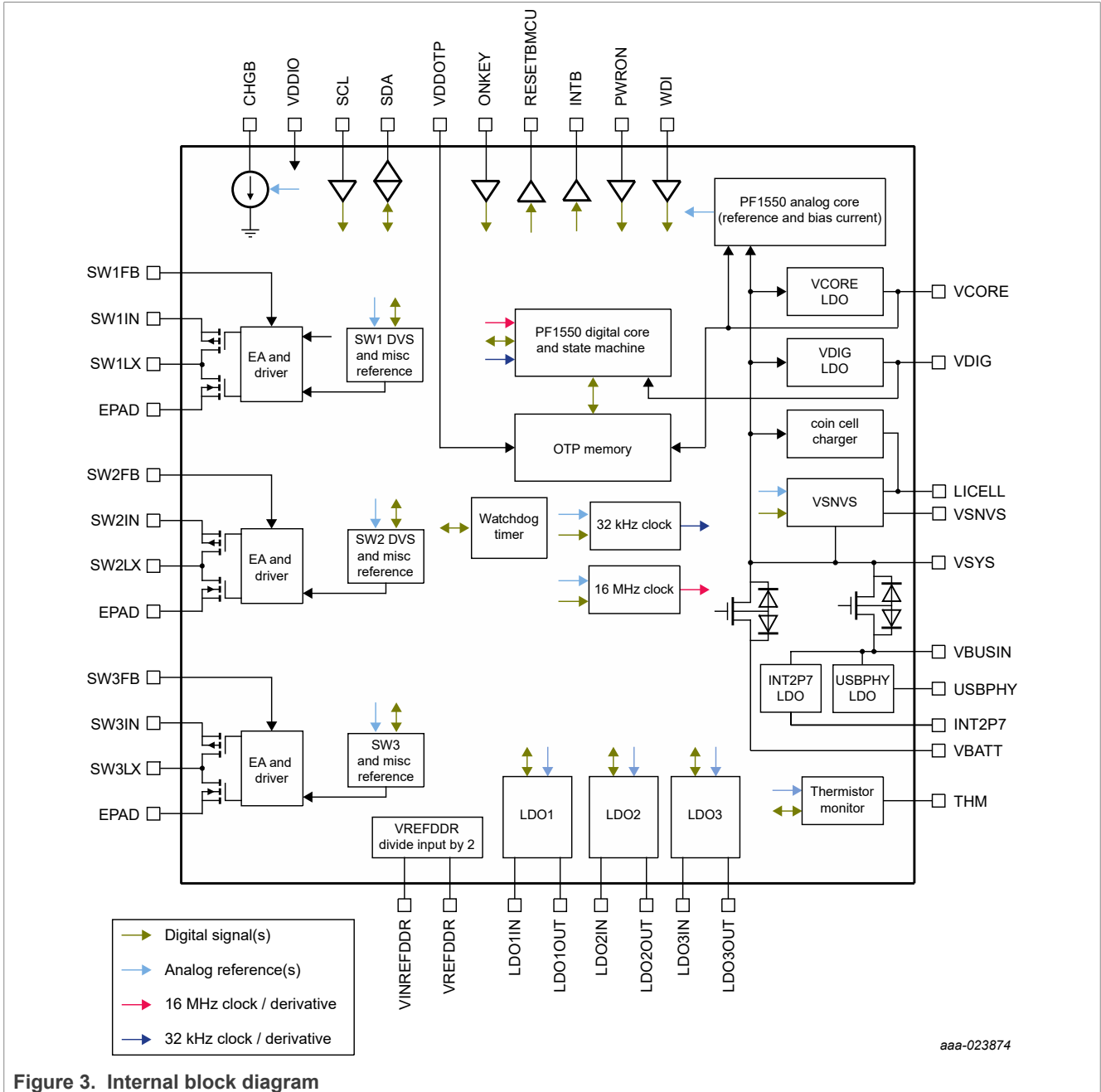


Figure 3. Internal block diagram

3 Orderable parts

The PF1550 is available only with preprogrammed configurations. These preprogrammed devices are identified using the program code from [Table 1](#), which also list the associated NXP reference designs where applicable. Details of the OTP programming for each device can be found in [Table 85](#).

Power management integrated circuit (PMIC) for low power application processors

Table 1. Orderable part variations

| Part number <sup>[1]</sup> | Temperature (T <sub>A</sub> )                         | Package  | Programming options                      |
|----------------------------|---|--|--|
| MC32PF1550A0EP             | -40 °C to 85 °C (for use in consumer applications)    | 98ASA00913D, 40-pin QFN 5.0 mm x 5.0 mm with exposed pad | 0 - Not programmed                       |
| MC32PF1550A1EP             |   |  | 1 (Default)                              |
| MC32PF1550A2EP             |   |  | 2 (i.MX 7ULP with LPDDR3) <sup>[2]</sup> |
| MC32PF1550A3EP             |   |  | 3 (i.MX 6UL with DDR3L)                  |
| MC32PF1550A4EP             |   |  | 4 (i.MX 7ULP with LPDDR3)                |
| MC32PF1550A5EP             |   |  | 5 (i.MX 6UL with DDR3)                   |
| MC32PF1550A6EP             |   |  | 6 (i.MX 6ULL with DDR3L)                 |
| MC32PF1550A7EP             |   |  | 7 (i.MX 6UL with LPDDR2)                 |
| MC32PF1550A8EP             |   |  | 8 (i.MX 6UL with DDR3L, Edge Sensitive)  |
| MC32PF1550A9EP             | 9 (i.MX RT1050)                                       |  |  |
| MC34PF1550A0EP             | -40 °C to 105 °C (for use in industrial applications) |  | 0 - Not programmed                       |
| MC34PF1550A1EP             |   |  | 1 (Default)                              |
| MC34PF1550A2EP             |   |  | 2 (i.MX 7ULP with LPDDR3) <sup>[2]</sup> |
| MC34PF1550A3EP             |   |  | 3 (i.MX 6UL with DDR3L)                  |
| MC34PF1550A4EP             |   |  | 4 (i.MX 7ULP with LPDDR3)                |
| MC34PF1550A5EP             |   |  | 5 (i.MX 6UL with DDR3)                   |
| MC34PF1550A6EP             |   |  | 6 (i.MX 6ULL with DDR3L)                 |
| MC34PF1550A7EP             |   |  | 7 (i.MX 6UL with LPDDR2)                 |
| MC34PF1550A8EP             |   | 8 (i.MX 6UL with DDR3L, Edge Sensitive)                  |  |
| MC34PF1550A9EP             | 9 (i.MX RT1050)                                       |  |  |

[1] For tape and reel, add an R2 suffix to the part number.  
 [2] For internal validation only

## 4 Pinning information

### 4.1 Pinning

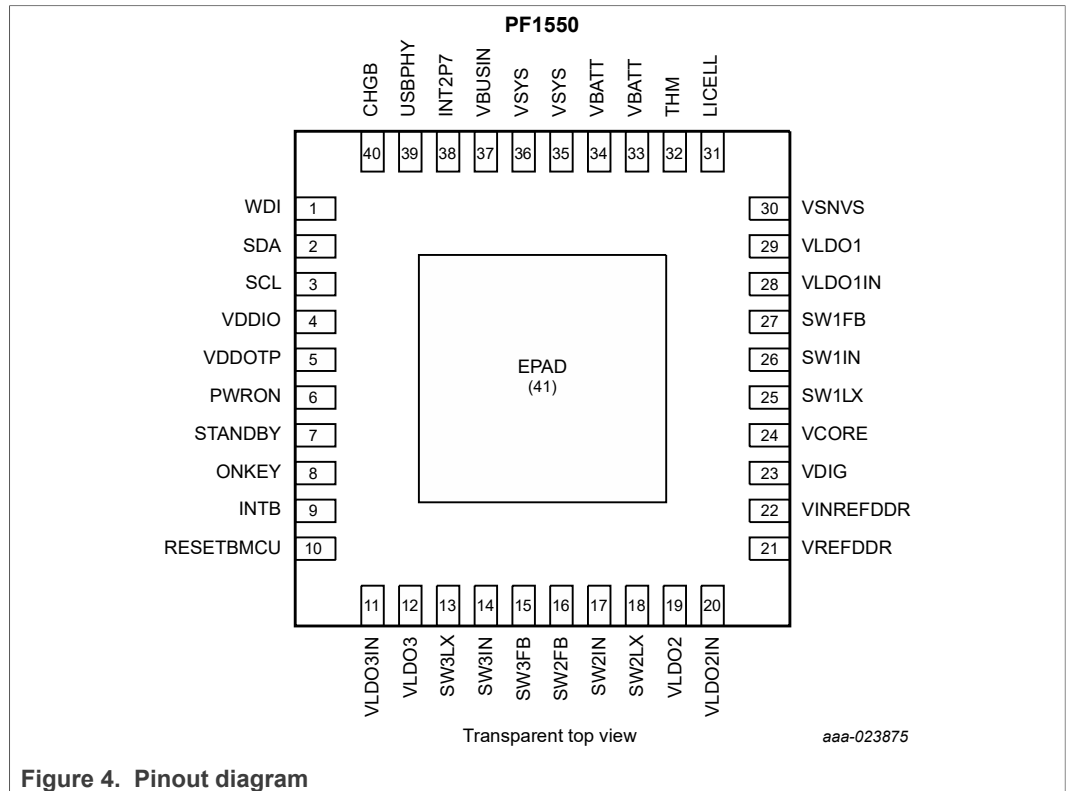


Figure 4. Pinout diagram

## 4.2 Pin definitions

Table 2. Pin description

| Pin number | Pin name  | Block   | Description   |
|------------|-----------|---------|---|
| 1          | WDI       | I/Os    | Watchdog input from processor   |
| 2          | SDA       |         | SDA when used in I <sup>2</sup> C mode                                |
| 3          | SCL       |         | SCL when used in I <sup>2</sup> C mode                                |
| 4          | VDDIO     |         | I/O supply voltage<br>Connect to voltage rail between 1.7 V and 3.3 V |
| 5          | VDDOTP    | VDDOTP  | Connect to ground in application                                      |
| 6          | PWRON     | I/Os    | PWRON input   |
| 7          | STANDBY   |         | STANDBY input   |
| 8          | ONKEY     |         | ONKEY push-button input   |
| 9          | INTB      |         | INTB open-drain output  |
| 10         | RESETBMCU |         | RESETBMCU open-drain output   |
| 11         | VLDO3IN   | LDO3    | LDO3 input supply   |
| 12         | VLDO3     |         | LDO3 output   |
| 13         | SW3LX     | Buck 3  | Buck 3 switching node   |
| 14         | SW3IN     |         | Buck 3 input supply   |
| 15         | SW3FB     |         | Buck 3 output voltage feedback  |
| 16         | SW2FB     | Buck 2  | Buck 2 output voltage feedback  |
| 17         | SW2IN     |         | Buck 2 input supply   |
| 18         | SW2LX     |         | Buck 2 switching node   |
| 19         | VLDO2     | LDO2    | LDO2 output   |
| 20         | VLDO2IN   |         | LDO2 input supply   |
| 21         | VREFDDR   | VREFDDR | VREFDDR output  |
| 22         | VINREFDDR |         | VREFDDR input supply  |
| 23         | VDIG      | IC core | VDIG regulator output (used within PF1550)                            |
| 24         | VCORE     |         | VCORE regulator output (used within PF1550)                           |
| 25         | SW1LX     | Buck 1  | Buck 1 switching node   |
| 26         | SW1IN     |         | Buck 1 input supply   |
| 27         | SW1FB     |         | Buck 1 feedback input   |
| 28         | VLDO1IN   | LDO1    | LDO1 input supply   |
| 29         | VLDO1     |         | LDO1 output   |
| 30         | VSNVS     | VSNVS   | VSNVS regulator output  |
| 31         | LICELL    |         | Coin cell input   |
| 32         | THM       | CHARGER | Thermistor connection<br>Connect thermistor to ground from this pin   |
| 33         | VBATT     |         | Battery input   |
| 34         |           |         |   |
| 35         | VSYS      | IC core | Main input voltage to PMIC and output of charger                      |
| 36         |           |         |   |



## Power management integrated circuit (PMIC) for low power application processors

Table 2. Pin description...continued

| Pin number | Pin name | Block   | Description   |
|------------|----------|---------|---|
| 37         | VBUSIN   | CHARGER | Charger input   |
| 38         | INT2P7   |         | INT2P7 regulator output (used within PF1550 and as thermistor bias) |
| 39         | USBPHY   |         | USBPHY regulator output   |
| 40         | CHGB     |         | Charger LED input connection<br>Connect LED from VSYS to this pin   |
| 41         | EPAD     | EPAD    | Exposed pad<br>Connect to ground                                    |

## 5 General product characteristics

### 5.1 Thermal characteristics

Table 3. Thermal ratings

| Symbol  | Description (Rating)  | Min        | Max                | Unit |
|---|---|------------|--------------------|------|
| <b>THERMAL RATINGS</b>  |   |            |                    |      |
| $T_A$   | Ambient operating temperature range (industrial)<br>Ambient operating temperature range (consumer)  | -40<br>-40 | 105<br>85          | °C   |
| $T_J$   | Operating junction temperature range [1]  | -40        | 125                | °C   |
| $T_{ST}$  | Storage temperature range   | -65        | 150                | °C   |
| $T_{PPRT}$  | Peak package reflow temperature [2] [3]   | —          | —                  | °C   |
| <b>QFN40 THERMAL RESISTANCE AND PACKAGE DISSIPATION RATINGS</b> |   |            |                    |      |
| $R_{\theta JA}$   | Junction to ambient thermal resistance, natural convection [4] [5] [6]<br>Four layer board (2s2p)<br>Six layer board (2s4p)<br>Eight layer board (2s6p) | —          | 27<br>20.6<br>17.8 | °C/W |
| $R_{\theta JMA}$  | Junction to ambient (@200 ft/min) [4] [6]<br>Four layer board (2s2p)  | —          | 21.4               | °C/W |
| $R_{\theta JB}$   | Junction to board [7]   | —          | 8.8                | °C/W |
| $R_{\theta JCBOTTOM}$   | Junction to case bottom [8]   | —          | 1.4                | °C/W |
| $\Psi_{JT}$   | Junction to package top – Natural convection [9]  | —          | 0.6                | °C/W |

- [1] Do not operate beyond 125 °C for extended periods of time. Operation above 150 °C may cause permanent damage to the IC. See Thermal Protection Thresholds for thermal protection features.
- [2] Pin soldering temperature limit is for 10 seconds maximum duration. Not designed for immersion soldering. Exceeding these limits may cause a malfunction or permanent damage to the device.
- [3] NXP's package reflow capability meets Pb-free requirements for JEDEC standard J-STD-020C. For peak package reflow temperature and moisture sensitivity levels (MSL), go to <http://www.nxp.com>, search by part number, and enter the core ID to view all orderable parts (for MC33xxx enter 33xxx), and review parametrics.
- [4] Junction temperature is a function of die size, on-chip power dissipation, package thermal resistance, mounting site (board) temperature, ambient temperature, air flow, power dissipation of other components on the board, and board thermal resistance.
- [5] The Board uses the JEDEC specifications for thermal testing (and simulation) JESD51-7 and JESD51-5.
- [6] Per JEDEC JESD51-6 with the board horizontal.
- [7] Thermal resistance between the die and the printed circuit board per JEDEC JESD51-8. Board temperature is measured on the top surface of the board near the package.
- [8] Thermal resistance between the die and the case top surface as measured by the cold plate method (MIL SPEC-883 Method 1012.1).
- [9] Thermal characterization parameter indicating the temperature difference between package top and the junction temperature per JEDEC JESD51-2. When Greek letters are not available, the thermal characterization parameter is written as Psi-JT.

## 5.2 Absolute maximum ratings

Table 4. Maximum ratings

| Symbol        | Description (Rating)   | Min  | Max | Unit |
|---------------|--|------|-----|------|
| <b>I/Os</b>   |  |      |     |      |
| VDDIO         | I/O supply voltage. Connect to voltage rail between 1.7 V and 3.3 V. | -0.3 | 3.6 | V    |
| SCL           | SCL when used in I <sup>2</sup> C mode. SCLK when used in SPI mode.  | -0.3 | 3.6 | V    |
| SDA           | SDA when used in I <sup>2</sup> C mode. MISO when used in SPI mode.  | -0.3 | 3.6 | V    |
| RESETBMCU     | RESETBMCU open-drain output  | -0.3 | 3.6 | V    |
| PWRON         | PWRON input  | -0.3 | 3.6 | V    |
| STANDBY       | STANDBY input  | -0.3 | 3.6 | V    |
| ONKEY         | ONKEY push-button input  | -0.3 | 4.8 | V    |
| INTB          | INTB open-drain output   | -0.3 | 3.6 | V    |
| WDI           | Watchdog input from processor  | -0.3 | 3.6 | V    |
| <b>VDDOTP</b> |  |      |     |      |
| VDDOTP        | Connect to ground in the application                                 | -0.3 | 10  | V    |
| <b>BUCK 1</b> |  |      |     |      |
| SW1IN         | Buck 1 input supply  | -0.3 | 4.8 | V    |
| SW1LX         | Buck 1 switching node  | -0.3 | 4.8 | V    |
| SW1FB         | Buck 1 feedback input  | -0.3 | 3.6 | V    |
| <b>BUCK 2</b> |  |      |     |      |
| SW2IN         | Buck 2 input supply  | -0.3 | 4.8 | V    |
| SW2LX         | Buck 2 switching node  | -0.3 | 4.8 | V    |
| SW2FB         | Buck 2 output voltage feedback                                       | -0.3 | 3.6 | V    |
| <b>BUCK 3</b> |  |      |     |      |
| SW3IN         | Buck 3 input supply  | -0.3 | 4.8 | V    |
| SW3LX         | Buck 3 switching node  | -0.3 | 4.8 | V    |
| SW3FB         | Buck 3 output voltage feedback                                       | -0.3 | 3.6 | V    |
| <b>LDO1</b>   |  |      |     |      |
| VLDO1IN       | LDO1 input supply  | -0.3 | 4.8 | V    |
| VLDO1         | LDO1 output  | -0.3 | 3.6 | V    |
| <b>LDO2</b>   |  |      |     |      |
| VLDO2IN       | LDO2 input supply  | -0.3 | 4.8 | V    |
| VLDO2         | LDO2 output  | -0.3 | 3.6 | V    |
| <b>LDO3</b>   |  |      |     |      |
| VLDO3IN       | LDO3 input supply  | -0.3 | 4.8 | V    |
| VLDO3         | LDO3 output  | -0.3 | 3.6 | V    |
| <b>VSNVS</b>  |  |      |     |      |
| VSNVS         | VSNVS regulator output   | -0.3 | 3.6 | V    |

Table 4. Maximum ratings...continued

| Symbol                     | Description (Rating)  | Min  | Max  | Unit  |   |
|----------------------------|---|------|------|-------|---|
| LICELL                     | Coin cell input   | -0.3 | 3.6  | V     |   |
| <b>CHARGER</b>             |   |      |      |       |   |
| VBATT                      | Battery input   | -0.3 | 4.8  | V     |   |
| INT2P7                     | INT2P7 regulator output (used within PF1550 and as thermistor bias) | -0.3 | 3.6  | V     |   |
| THM                        | Thermistor connection. Connect thermistor to ground from this pin.  | -0.3 | 3.6  | V     |   |
| VBUSIN                     | Charger input   | -0.3 | 24   | V     |   |
| USBPHY                     | USBPHY regulator output   | -0.3 | 5.5  | V     |   |
| CHGB                       | Charger LED input connection. Connect LED from VSYS to this pin.    | -0.3 | 4.8  | V     |   |
| <b>INPUT/OUTPUT SUPPLY</b> |   |      |      |       |   |
| VINREFDDR                  | VREFDDR input supply  | -0.3 | 3.6  | V     |   |
| VREFDDR                    | VREFDDR output  | -0.3 | 3.6  | V     |   |
| <b>IC CORE</b>             |   |      |      |       |   |
| VSYS                       | Main input voltage to PMIC and output of charger                    | -0.3 | 4.8  | V     |   |
| VDIG                       | VCOREDIG regulator output (used within PF1550)                      | -0.3 | 1.65 |       |   |
| VCORE                      | VCORE regulator output (used within PF1550)                         | -0.3 | 1.65 | V     |   |
| <b>ELECTRICAL RATINGS</b>  |   |      |      |       |   |
| V <sub>ESD</sub>           | ESD ratings   |      |      |       |   |
|                            | Human body model  | [1]  | —    | ±2000 | V |
|                            | Charge device model (corner pins)                                   |      | —    | ±750  |   |
|                            | Charge device model (all other pins)                                |      | —    | ±500  |   |

[1] Testing is performed in accordance with the human body model (HBM) ( $C_{ZAP} = 100$  pF,  $R_{ZAP} = 1500$   $\Omega$ ), and the charge device model (CDM), Robotic ( $C_{ZAP} = 4.0$  pF).

### 5.3 Electrical characteristics

#### 5.3.1 Electrical characteristics – Battery charger

All parameters are specified at  $T_A = -40\text{ }^\circ\text{C}$  to  $105\text{ }^\circ\text{C}$ ,  $V_{BUSIN} = 5.0\text{ V}$ ,  $V_{SYS} = 3.7\text{ V}$ , typical external component values, unless otherwise noted. Typical values are characterized at  $V_{BUSIN} = 5.0\text{ V}$ ,  $V_{SYS} = 3.7\text{ V}$  and  $25\text{ }^\circ\text{C}$ , unless otherwise noted.

**Table 5. Global conditions**

| Symbol                   | Parameter   | Measurement condition           | Min        | Typ | Max        | Unit          |
|--------------------------|---|---------------------------------|------------|-----|------------|---------------|
| <b>CHARGER INPUTS</b>    |   |                                 |            |     |            |               |
| $V_{BUS}$                | VBUSIN voltage range                                  | Operating voltage               | $V_{UVLO}$ | —   | $V_{OVLO}$ | V             |
| $V_{BUS\_WITHSTAND}$     | VBUSIN maximum withstand voltage rating               |                                 | —          | —   | 22         | V             |
| $V_{BUS\_OVLO}$          | VBUSIN overvoltage threshold                          | Rising                          | 6.0        | 6.5 | 7.0        | V             |
| $V_{OVLO\_HYS}$          | VBUSIN overvoltage threshold hysteresis               | Falling                         | 50         | 150 | 250        | mV            |
| $t_{D\_OVLO}$            | VBUSIN overvoltage delay                              |                                 | 5.0        | 10  | 15         | $\mu\text{s}$ |
| $V_{UVLO}$               | VBUSIN to GND minimum turn on threshold accuracy      | VBUS rising                     | 3.8        | 4.0 | 4.2        | V             |
| $V_{UVLO\_HYS}$          | VBUSIN UVLO hysteresis                                |                                 | 400        | 500 | 600        | mV            |
| $V_{IN2SYS\_50}$         | VBUSIN to VSYS minimum turn on threshold accuracy     | VBUS_LIN rising, 50 mV setting  | 20         | 50  | 80         | mV            |
| $V_{IN2SYS\_175}$        | VBUSIN to VSYS minimum turn on threshold accuracy     | VBUS_LIN rising, 175 mV setting | 100        | 175 | 250        | mV            |
| $V_{BUS\_LIN\_DPM\_REG}$ | VBUSIN adaptive voltage regulation threshold          | 4.4 V setting (default)         | 4.3        | 4.4 | 4.5        | V             |
| $V_{DPM\_REG}$           | VBUSIN adaptive voltage regulation threshold accuracy | Programmable at 3.9 V to 4.6 V  | -100       | —   | 100        | mV            |

**Table 6. Input currents**

| Symbol                            | Parameter                                     | Measurement condition | Min  | Typ   | Max | Unit |
|-----------------------------------|---|-----------------------|------|-------|-----|------|
| <b>VBUSIN INPUT CURRENT LIMIT</b> |   |                       |      |       |     |      |
| $ILIM_{10}$                       | Charger input current limit (10 mA settings)  | 10 mA                 | 6.0  | 8.5   | 11  | mA   |
| $ILIM_{15}$                       | Charger input current limit (15 mA settings)  | 15 mA                 | 10.5 | 12.75 | 16  | mA   |
| $ILIM_{20}$                       | Charger input current limit (20 mA settings)  | 20 mA                 | 14   | 17    | 21  | mA   |
| $ILIM_{25}$                       | Charger input current limit (25 mA settings)  | 25 mA                 | 17.5 | 21.25 | 26  | mA   |
| $ILIM_{30}$                       | Charger Input Current Limit (30 mA setting)   | 30 mA                 | 21   | 25.5  | 30  | mA   |
| $ILIM_{35}$                       | Charger input current limit (35 mA settings)  | 35 mA                 | 24.5 | 29.75 | 35  | mA   |
| $ILIM_{40}$                       | Charger input current limit (40 mA settings)  | 40 mA                 | 28   | 34    | 40  | mA   |
| $ILIM_{45}$                       | Charger input current limit (45 mA settings)  | 45 mA                 | 31.5 | 38.25 | 45  | mA   |
| $ILIM_{50}$                       | Charger input current limit (50 mA settings)  | 50 mA                 | 35   | 42.5  | 50  | mA   |
| $ILIM_{100}$                      | Charger input current limit (100 mA settings) | 100 mA                | 85   | 95    | 105 | mA   |

## Power management integrated circuit (PMIC) for low power application processors

Table 6. Input currents...continued

| Symbol                     | Parameter  | Measurement condition  | Min  | Typ   | Max  | Unit |
|----------------------------|--|--|------|-------|------|------|
| ILIM <sub>150</sub>        | Charger input current limit (150 mA settings)  | 150 mA   | 125  | 137.5 | 160  | mA   |
| ILIM <sub>200</sub>        | Charger input current limit (200 mA settings)  | 200 mA   | 170  | 190   | 210  | mA   |
| ILIM <sub>300</sub>        | Charger input current limit (300 mA setting)   | 300 mA   | 260  | 285   | 320  | mA   |
| ILIM <sub>400</sub>        | Charger input current limit (400 mA settings)  | 400 mA   | 345  | 380   | 425  | mA   |
| ILIM <sub>500</sub>        | Charger input current limit (500 mA settings)  | 500 mA   | 430  | 475   | 530  | mA   |
| ILIM <sub>600</sub>        | Charger input current limit (600 mA settings)  | 600 mA   | 520  | 570   | 640  | mA   |
| ILIM <sub>700</sub>        | Charger input current limit (700 mA settings)  | 700 mA   | 610  | 665   | 750  | mA   |
| ILIM <sub>800</sub>        | Charger input current limit (800 mA settings)  | 800 mA   | 690  | 760   | 850  | mA   |
| ILIM <sub>900</sub>        | Charger input current limit (900 mA settings)  | 900 mA   | 780  | 855   | 950  | mA   |
| ILIM <sub>1000</sub>       | Charger input current limit (1000 mA settings)   | 1000 mA  | 855  | 950   | 1100 | mA   |
| ILIM <sub>1500</sub>       | Charger input current limit (1500 mA settings)   | 1500 mA  | 1260 | 1400  | 1700 | mA   |
| R <sub>INSD</sub>          | Input self-discharge resistance  |  | 18   | 30    | 42   | kΩ   |
| I <sub>BATTLEAK</sub>      | Leakage current  | Leakage current from VBATT to VBUSIN. VBATT = 4.2 V, BATFET closed, VBUSIN = 0 V. Current measured into VBATT pin at 25 °C | 0    | —     | 5.0  | μA   |
| I <sub>Q_CHARGER</sub>     | Charger quiescent current (BATFET enabled, normal mode)  | 25 °C only; charger in CC state; ICC = 100 mA  | 0    | 2.5   | 5.0  | mA   |
| I <sub>Q_CHARGER_LQM</sub> | Charger quiescent current (low power mode, charging enabled, 10 mA to 50 mA input current limit setting, VBATT > 2.8 V and LED driver OFF) | 25 °C only; charger in CC state  | 0    | 1.5   | 3.0  | mA   |
| T <sub>SSVBUS_LIN</sub>    | Soft start time (VBUSIN = 5.0 V, time between input LDO enabled and VSYS going to 90 % of regulation)                                      | No input current limitation event, measured in Normal mode   | —    | —     | 30   | ms   |

Table 7. Internal 2.7 V Regulator (INT2P7)

| Symbol                | Parameter       | Measurement condition | Min | Typ | Max | Unit |
|-----------------------|-----------------|-----------------------|-----|-----|-----|------|
| V <sub>GDRV</sub>     | Output voltage  |                       | 2.6 | 2.7 | 2.8 | V    |
| I <sub>GDRV</sub>     | Output current  |                       | 5.0 | —   | —   | mA   |
| V <sub>DO(GDRV)</sub> | Dropout voltage |                       | 0   | —   | 800 | mV   |

Table 8. Switch impedances and leakage currents

| Symbol                    | Parameter                 | Measurement condition                | Min | Typ | Max | Unit |
|---------------------------|---------------------------|--------------------------------------|-----|-----|-----|------|
| R <sub>VBUS_LIN2SYS</sub> | VBUSIN to VSYS resistance |                                      | 100 | 250 | 550 | mΩ   |
| R <sub>BATFET_QFN</sub>   | VBATT to VSYS resistance  |                                      | 50  | 75  | 120 | mΩ   |
| I <sub>sys</sub>          | VSYS leakage current      | VSYS = 0 V, VBATT = 4.2 V, SHIP mode | 0   | 0.2 | 10  | μA   |

## Power management integrated circuit (PMIC) for low power application processors

Table 8. Switch impedances and leakage currents...continued

| Symbol               | Parameter  | Measurement condition   | Min | Typ | Max | Unit |
|----------------------|--|---|-----|-----|-----|------|
| I <sub>BATT_OC</sub> | VBATT reverse ILIM quiescent current when VBUSIN = 0 V | VBUSIN = 0 V, VSYS = VBATT = 4.2 V, BATFET enabled, battery overcurrent enabled | —   | —   | 100 | μA   |

Table 9. Linear transients

| Symbol               | Parameter                   | Measurement condition   | Min | Typ | Max | Unit |
|----------------------|-----------------------------|---|-----|-----|-----|------|
| V <sub>PK-PK</sub>   | Load transient peak-to-peak | VBUSIN = 5.0 V, VBATT = 3.6 V, I <sub>CHG</sub> = 500 mA, VSYS load step 1.0 A/μs | 10  | 400 | 850 | mV   |
| V <sub>OV_SHT</sub>  | Load transient overshoot    | VBUSIN = 5.0 V, VBATT = 3.6 V, I <sub>CHG</sub> = 500 mA, VSYS load step 1.0 A/μs | 0   | 200 | 500 | mV   |
| V <sub>UND_SHT</sub> | Load transient undershoot   | VBUSIN = 5.0 V, VBATT = 3.6 V, I <sub>CHG</sub> = 500 mA, VSYS load step 1.0 A/μs | 0   | 200 | 500 | mV   |

Table 10. Charger characteristics

| Symbol                    | Parameter   | Measurement condition                                    | Min   | Typ | Max   | Unit |
|---------------------------|---|--|-------|-----|-------|------|
| V <sub>CHGCV_RANGE</sub>  | CHGCV output voltage range                        | See register map for constant voltage programmable range | 3.5   | —   | 4.44  | V    |
| CV <sub>ACC</sub>         | CHGCV output accuracy in normal charging          |  | —     | —   | ±1    | %    |
| V <sub>SYSMIN0</sub>      | VSYS output voltage (3.5 V option)                | VSYSMIN = 0x00 (3.5 V option)                            | 3.395 | 3.5 | 3.605 | V    |
| V <sub>SYSMIN1</sub>      | VSYS output voltage (3.7 V option)                | VSYSMIN = 0x01 (3.7 V option)                            | 3.589 | 3.7 | 3.811 | V    |
| V <sub>SYSMIN2</sub>      | VSYS output voltage (4.3 V option)                | VSYSMIN = 0x02 (4.3 V option)                            | 4.171 | 4.3 | 4.429 | V    |
| V <sub>SYSMINLOOP0</sub>  | VSYSMIN loop threshold (3.5 V option)             |  | 3.0   | 3.2 | 3.39  | V    |
| V <sub>SYSMINLOOP1</sub>  | VSYSMIN loop threshold (3.7 V option)             |  | 3.2   | 3.4 | 3.585 | V    |
| V <sub>SYSMINLOOP2</sub>  | VSYSMIN loop threshold (4.3 V option)             |  | 3.83  | 4.0 | 4.17  | V    |
| I <sub>FC</sub>           | Output current range                              | Constant current programmable range CHG_CC[4:0]          | 100   | —   | 1000  | mA   |
| I <sub>FCACC1</sub>       | Output current accuracy                           |  | −10   | —   | 10    | %    |
| I <sub>EOC</sub>          | Charger IEOC range                                |  | 5.0   | —   | 50    | mA   |
| t <sub>DB(IEOC)</sub>     | Debounce time for charge termination              |  | 20    | 32  | 44    | ms   |
| I <sub>EOC_ACC_5mA</sub>  | Charger IEOC accuracy (5.0 mA settings)           | I <sub>EOC</sub> = 5 mA                                  | 1.0   | 5.0 | 12    | mA   |
| I <sub>EOC_ACC_10mA</sub> | Charger IEOC accuracy (10 mA settings)            | I <sub>EOC</sub> = 10 mA                                 | 4.0   | 10  | 16    | mA   |
| I <sub>EOC_ACC_50mA</sub> | Charger IEOC accuracy (50 mA setting)             | I <sub>EOC</sub> = 50 mA                                 | 40    | 50  | 60    | mA   |
| V <sub>PRECHG</sub>       | Precharge threshold                               | VBATT rising   | 2.7   | 2.8 | 2.9   | V    |
| V <sub>PRECHG_HYS</sub>   | Precharge threshold hysteresis                    |  | 50    | 100 | 150   | mV   |
| I <sub>PRECHG</sub>       | Precharge current                                 |  | 30    | 45  | 60    | mA   |
| I <sub>PRECHG.LPM</sub>   | Charging current in LPM and 2.8 V < VBATT < 3.1 V |  | 0.75  | 1.0 | 1.25  | mA   |

## Power management integrated circuit (PMIC) for low power application processors

Table 10. Charger characteristics...continued

| Symbol                 | Parameter                                   | Measurement condition      | Min           | Typ           | Max           | Unit |
|------------------------|---|----------------------------|---------------|---------------|---------------|------|
| V <sub>RESTART</sub>   | Charger restart threshold (100 mV settings) | VBATT below CHGCV[5:0]     | 50            | 100           | 150           | mV   |
| V <sub>RESTART</sub>   | Charger restart threshold (150 mV setting)  | VBATT below CHGCV[5:0]     | 100           | 150           | 200           | mV   |
| V <sub>RESTART</sub>   | Charger restart threshold (200 mV settings) | VBATT below CHGCV[5:0]     | 150           | 200           | 250           | mV   |
| t <sub>DB(VRCH)</sub>  | Debounce time on V <sub>RESTART</sub>       |                            | 20            | 32            | 44            | ms   |
| V <sub>BATOV</sub>     | BATTOVP range                               |                            | CHGCV x 1.025 | CHGCV x 1.05  | CHGCV x 1.075 | V    |
| V <sub>BATOV_HYS</sub> | BATTOVP hysteresis                          | VBATT falling from BATTOVP | CHGCV x 0.015 | CHGCV x 0.025 | CHGCV x 0.035 | V    |

Table 11. Power-path management

| Symbol            | Parameter                         | Measurement condition  | Min | Typ | Max | Unit |
|-------------------|-----------------------------------|--|-----|-----|-----|------|
| V <sub>SPLM</sub> | Supplement mode voltage threshold | Entering supplement mode when V <sub>SYS</sub> < V <sub>BATT</sub> | 10  | 40  | 75  | mV   |

Table 12. Watchdog timer

| Symbol             | Parameter               | Measurement condition | Min | Typ | Max | Unit |
|--------------------|-------------------------|-----------------------|-----|-----|-----|------|
| t <sub>WD</sub>    | Watchdog timer period   |                       | —   | 80  | —   | s    |
| t <sub>WDACC</sub> | Watchdog timer accuracy |                       | -20 | 0   | 20  | %    |

Table 13. Charger timer

| Symbol              | Parameter   | Measurement condition   | Min | Typ | Max | Unit |
|---------------------|---|---|-----|-----|-----|------|
| t <sub>PRECHG</sub> | Precharge time (fixed 45 mA)  | Applies to low battery prequalification mode, 500 mA settings | —   | 30  | —   | min  |
| t <sub>FC</sub>     | Fast charge constant current and constant voltage time                                  | Adjustable from 2 to 14 in 2-hour steps                       | —   | 4.0 | —   | hrs  |
| t <sub>EOC</sub>    | End-of-charge time  | Adjustable from 0 to 70 in 10 min steps                       | —   | 30  | —   | min  |
| t <sub>acc</sub>    | Timer accuracy  | All timers associated with the charger block                  | -20 | —   | 20  | %    |
| t <sub>SCIDG</sub>  | Charger state change interrupt delay  |   | 0   | 1.0 | 2.0 | ms   |
| t <sub>INLIM</sub>  | VBUS_VOK delay from VDIG ready following VBUSIN insertion (see charger startup diagram) |   | 0   | 100 | 200 | μs   |

Table 14. Battery overcurrent protection

| Symbol              | Parameter                                   | Measurement condition                           | Min  | Typ | Max  | Unit |
|---------------------|---|---|------|-----|------|------|
| t <sub>BOVCR</sub>  | Battery overcurrent debounce time           | Response time to BATFET open (OTP option)       | 12.8 | 16  | 19.2 | ms   |
| t <sub>BOVCRI</sub> | Battery overcurrent interrupt debounce time | Response time to generate interrupt             | 2.4  | 3.0 | 3.6  | ms   |
| I <sub>BOVCR</sub>  | Battery overcurrent threshold range         | Programmable from 2.0 A to 4.0 A in three steps | 2.0  | —   | 4.0  | A    |

## Power management integrated circuit (PMIC) for low power application processors

Table 14. Battery overcurrent protection...continued

| Symbol                   | Parameter  | Measurement condition | Min | Typ | Max | Unit |
|--------------------------|--|-----------------------|-----|-----|-----|------|
| I <sub>BOVCRACC_2A</sub> | Battery overcurrent threshold accuracy (2.2 A setting) |                       | 1.0 | 2.2 | 3.2 | A    |
| I <sub>BOVCRACC_3A</sub> | Battery overcurrent threshold accuracy (2.8 A setting) |                       | 1.6 | 2.8 | 4   | A    |
| I <sub>BOVCRACC_4A</sub> | Battery overcurrent threshold accuracy (3.2 A setting) |                       | 2.0 | 3.2 | 4.6 | A    |
| R <sub>SYSDISCH</sub>    | SYS self-discharge resistor in SHIP mode               |                       | 480 | 600 | 720 | Ω    |

Table 15. Thermal regulation

| Symbol           | Parameter                                     | Measurement condition                                  | Min | Typ | Max | Unit |
|------------------|---|--|-----|-----|-----|------|
| T <sub>REG</sub> | Thermal regulation threshold (80 °C setting)  | Temperature at which charge current begins to decrease | —   | 80  | —   | °C   |
| T <sub>REG</sub> | Thermal regulation threshold (95 °C Setting)  | Temperature at which charge current begins to decrease | —   | 95  | —   | °C   |
| T <sub>REG</sub> | Thermal regulation threshold (110 °C setting) | Temperature at which charge current begins to decrease | —   | 110 | —   | °C   |

Table 16. Battery thermistor monitor

| Symbol               | Parameter                              | Measurement condition | Min                       | Typ                       | Max                       | Unit |
|----------------------|--|-----------------------|---------------------------|---------------------------|---------------------------|------|
| V <sub>NTECREF</sub> | NTECREF voltage                        |                       | 2.6                       | 2.7                       | 2.8                       | V    |
| V <sub>TN10C</sub>   | Thermistor threshold (−10 °C settings) | −10 °C                | 0.79*V <sub>NTECREF</sub> | 0.82*V <sub>NTECREF</sub> | 0.85*V <sub>NTECREF</sub> | V    |
| V <sub>T0C</sub>     | Thermistor threshold (0 °C settings)   | 0 °C                  | 0.71*V <sub>NTECREF</sub> | 0.74*V <sub>NTECREF</sub> | 0.77*V <sub>NTECREF</sub> | V    |
| V <sub>T10C</sub>    | Thermistor threshold (10 °C settings)  | 10 °C                 | 0.62*V <sub>NTECREF</sub> | 0.65*V <sub>NTECREF</sub> | 0.68*V <sub>NTECREF</sub> | V    |
| V <sub>T45C</sub>    | Thermistor threshold (45 °C settings)  | 45 °C                 | 0.31*V <sub>NTECREF</sub> | 0.33*V <sub>NTECREF</sub> | 0.35*V <sub>NTECREF</sub> | V    |
| V <sub>T55C</sub>    | Thermistor threshold (55 °C settings)  | 55 °C                 | 0.25*V <sub>NTECREF</sub> | 0.26*V <sub>NTECREF</sub> | 0.27*V <sub>NTECREF</sub> | V    |
| V <sub>T60C</sub>    | Thermistor threshold (60 °C settings)  | 60 °C                 | 0.22*V <sub>NTECREF</sub> | 0.23*V <sub>NTECREF</sub> | 0.24*V <sub>NTECREF</sub> | V    |
| V <sub>T_HYS</sub>   | Battery temperature hysteresis         | All settings          | 0.5                       | 2.5                       | 5.0                       | °C   |

Table 17. USBPHY LDO

| Symbol                  | Parameter                             | Measurement condition  | Min  | Typ  | Max  | Unit |
|-------------------------|---------------------------------------|--|------|------|------|------|
| V <sub>USB_PHY</sub>    | Output voltage                        | I <sub>OUT</sub> = 10 mA; 3.3 V and 4.9 V settings. V <sub>BUSIN</sub> = 5.5 V | −5.0 | —    | 5.0  | %    |
| I <sub>USB_PHY</sub>    | Maximum output current                |  | 60   | —    | —    | mA   |
| USB <sub>RDIS</sub>     | Internal discharge resistance         |  | 500  | 1000 | 1500 | Ω    |
| USB <sub>CAPSTA</sub>   | Output capacitor for stable operation | 0 μA < I <sub>OUT</sub> < 60 mA, MAX ESR = 10 mΩ                               | 0.7  | 1.0  | 2.2  | μF   |
| I <sub>QUSB</sub>       | Quiescent supply current              |  | —    | 35   | —    | μA   |
| USBPHY <sub>LDREG</sub> | DC load regulation                    | V <sub>BUSIN</sub> = 5.5 V, 30 μA < I <sub>OUT</sub> < 60 mA                   | 0    | 5.0  | 13   | mV   |
| USBPHY <sub>DO</sub>    | Dropout voltage                       | V <sub>BUSIN</sub> = 5.0 V, I <sub>OUT</sub> = 60 mA                           | —    | 200  | 350  | mV   |
| USBPHY <sub>LIM</sub>   | Output current limit                  |  | 65   | 150  | 200  | mA   |



Power management integrated circuit (PMIC) for low power application processors

Table 17. USBPHY LDO...continued

| Symbol                  | Parameter | Measurement condition                     | Min | Typ | Max | Unit |
|-------------------------|-----------|---|-----|-----|-----|------|
| PSRR <sub>USB_PHY</sub> | PSRR      | VBUSIN = 5.5 V, C <sub>OUT</sub> = 1.0 μF | 55  | 60  | 75  | dB   |

Table 18. LED characteristics

| Symbol               | Parameter  | Measurement condition                                    | Min | Typ | Max  | Unit |
|----------------------|--|--|-----|-----|------|------|
| V <sub>LED</sub>     | LED input voltage operating range (anode to ground)    |  | 3.5 | —   | VSYS | V    |
| V <sub>CHGB_IN</sub> | CHGB input voltage operating range, LED driver enabled |  | 1.0 | —   | 3.0  | V    |
| I <sub>LED</sub>     | LED current accuracy                                   |  | 4.0 | 6.0 | 8    | mA   |
| T <sub>ON</sub>      | LED duty cycle range                                   | Programmable from 10 % to 100 % duty cycle in 10 % steps | 10  | —   | 100  | %    |
| T <sub>LED_RUP</sub> | LED ramp up  | Settings depend on duty cycle                            | 50  | —   | 500  | ms   |
| T <sub>LED_RDN</sub> | LED ramp down  | Settings depend on duty cycle                            | 50  | —   | 500  | ms   |
| F <sub>LED</sub>     | LED frequency  | Programmable from 0.5 Hz to 256 Hz                       | 0.5 | —   | 256  | Hz   |

5.3.2 Electrical characteristics – SW1 and SW2

All parameters are specified at T<sub>A</sub> = -40 °C to 105 °C, VSYS = V<sub>SWxIN</sub> = 2.5 V to 4.5 V, V<sub>SWx</sub> = 1.2 V, I<sub>SWx</sub> = 200 mA, typical external component values, f<sub>SWx</sub> = 2.0 MHz, unless otherwise noted. Typical values are characterized at VSYS = V<sub>SWxIN</sub> = 3.6 V, V<sub>SWx</sub> = 1.1 V, I<sub>SWx</sub> = 100 mA, and 25 °C, unless otherwise noted.

Table 19. SW1 and SW2 electrical characteristics

| Symbol             | Parameter   | Min  | Typ | Max | Unit |
|--------------------|---|------|-----|-----|------|
| V <sub>SWxIN</sub> | Operating input voltage   | 2.5  | —   | 4.5 | V    |
| I <sub>SWx</sub>   | Rated output current  | 1000 | —   | —   | mA   |
| V <sub>SWx</sub>   | Output voltage accuracy<br>DVS enabled mode (OTP_SWx_DVS_SEL = 0)<br>Normal power mode, 2.5 V < V <sub>SWxIN</sub> < 4.5 V, 0 < I <sub>SWx</sub> < 1.0 A<br>0.6 V ≤ V <sub>SWx</sub> ≤ 1.0 V    | -15  | —   | 15  | mV   |
| V <sub>SWx</sub>   | Output voltage accuracy<br>DVS enabled mode (OTP_SWx_DVS_SEL = 0)<br>Normal power mode, 2.5 V < V <sub>SWxIN</sub> < 4.5 V, 0 < I <sub>SWx</sub> < 1.0 A<br>1.0 V < V <sub>SWx</sub> ≤ 1.3875 V | -2.0 | —   | 2.0 | %    |
| V <sub>SWx</sub>   | Output voltage accuracy<br>DVS enabled mode (OTP_SWx_DVS_SEL = 0)<br>Low-power mode, 2.5 V < V <sub>SWxIN</sub> < 4.5 V, 0 < I <sub>SWx</sub> < 0.1 A<br>0.6 V ≤ V <sub>SWx</sub> ≤ 1.0 V       | -30  | —   | 30  | mV   |
| V <sub>SWx</sub>   | Output voltage accuracy<br>DVS enabled mode (OTP_SWx_DVS_SEL = 0)<br>Low-power mode, 2.5 V < V <sub>SWxIN</sub> < 4.5 V, 0 < I <sub>SWx</sub> < 0.1 A<br>1.0 V < V <sub>SWx</sub> ≤ 1.3875 V    | -3.0 | —   | 3.0 | %    |
| V <sub>SWx</sub>   | Output voltage accuracy<br>DVS disabled mode (OTP_SWx_DVS_SEL = 1)<br>Normal power mode, 2.5 V < V <sub>SWxIN</sub> < 4.5 V, 0 < I <sub>SWx</sub> < 1.0 A<br>1.1 V ≤ V <sub>SWx</sub> ≤ 1.5 V   | -45  | —   | 45  | mV   |
| V <sub>SWx</sub>   | Output voltage accuracy<br>DVS disabled mode (OTP_SWx_DVS_SEL = 1)<br>Normal power mode, 2.5 V < V <sub>SWxIN</sub> < 4.5 V, 0 < I <sub>SWx</sub> < 1.0 A<br>1.8 V ≤ V <sub>SWx</sub> ≤ 3.3 V   | -3.0 | —   | 3.0 | %    |

## Power management integrated circuit (PMIC) for low power application processors

Table 19. SW1 and SW2 electrical characteristics...continued

| Symbol               | Parameter  | Min                      | Typ                      | Max                      | Unit |
|----------------------|--|--------------------------|--------------------------|--------------------------|------|
| V <sub>SWx</sub>     | Output voltage accuracy<br>DVS disabled mode (OTP_SWx_DVS_SEL = 1)<br>Low-power mode, 2.5 V < V <sub>SWxIN</sub> < 4.5 V, 0 < I <sub>SWx</sub> < 0.1 A<br>1.1 V < V <sub>SWx</sub> ≤ 1.5 V | -55                      | —                        | 55                       | mV   |
| V <sub>SWx</sub>     | Output voltage accuracy<br>DVS disabled mode (OTP_SWx_DVS_SEL = 1)<br>Low-power mode, 2.5 V < V <sub>SWxIN</sub> < 4.5 V, 0 < I <sub>SWx</sub> < 0.1 A<br>1.8 V ≤ V <sub>SWx</sub> ≤ 3.3 V | -4.0                     | —                        | 4.0                      | %    |
| ΔV <sub>SWx</sub>    | Output ripple  | —                        | 5.0                      | —                        | mV   |
| SWxEFF               | Efficiency<br>V <sub>SWxIN</sub> = 3.6 V, L <sub>SWx</sub> = 1.0 μH, DCR = 50 mΩ<br>LP/ ULP mode, 1.2 V, 1.0 mA  | —                        | 88                       | —                        | %    |
| SWxEFF               | Efficiency<br>V <sub>SWxIN</sub> = 3.6 V, L <sub>SWx</sub> = 1.0 μH, DCR = 50 mΩ<br>Normal power mode, 1.2 V, 50 mA  | —                        | 90                       | —                        | %    |
| SWxEFF               | Efficiency<br>V <sub>SWxIN</sub> = 3.6 V, L <sub>SWx</sub> = 1.0 μH, DCR = 50 mΩ<br>Normal power mode, 1.2 V, 150 mA   | —                        | 92                       | —                        | %    |
| SWxEFF               | Efficiency<br>V <sub>SWxIN</sub> = 3.6 V, L <sub>SWx</sub> = 1.0 μH, DCR = 50 mΩ<br>Normal power mode, 1.2 V, 400 mA   | —                        | 89                       | —                        | %    |
| SWxEFF               | Efficiency<br>V <sub>SWxIN</sub> = 3.6 V, L <sub>SWx</sub> = 1.0 μH, DCR = 50 mΩ<br>Normal power mode, 1.2 V, 1000 mA  | —                        | 83                       | —                        | %    |
| I <sub>SWxLIMH</sub> | Current limiter peak (high-side MOSFET) current detection<br>SWxILIM[1:0] = 00<br>SWxILIM[1:0] = 01<br>SWxILIM[1:0] = 10<br>SWxILIM[1:0] = 11  | 0.7<br>0.8<br>1.0<br>1.4 | 1.0<br>1.2<br>1.5<br>2.0 | 1.3<br>1.6<br>2.0<br>2.6 | A    |
| I <sub>SWxLIML</sub> | Current limiter low-side MOSFET current detection (sinking current)  | 0.7                      | 1.0                      | 1.3                      | A    |
| I <sub>SWxQ</sub>    | Quiescent current (at 25 °C)<br>Low-power mode with DVS disabled (OTP_SWx_DVS_SEL = 1)   | —                        | 1.0                      | —                        | μA   |
| I <sub>SWxQ</sub>    | Quiescent current (at 25 °C)<br>Low-power mode with DVS enabled (OTP_SWx_DVS_SEL = 0)  | —                        | 6.0                      | —                        | μA   |
| I <sub>SWxQ</sub>    | Quiescent current (at 25 °C)<br>Normal power mode with DVS disabled (OTP_SWx_DVS_SEL = 1)  | —                        | 5.5                      | —                        | μA   |
| I <sub>SWxQ</sub>    | Quiescent current (at 25 °C)<br>Normal power mode with DVS enabled (OTP_SWx_DVS_SEL = 0)   | —                        | 10                       | —                        | μA   |
| V <sub>SWxOSH</sub>  | Startup overshoot (Normal mode)<br>I <sub>SWx</sub> = 0 mA<br>DVS speed = 12.5 mV/4 μs, V <sub>SWxIN</sub> = 3.6 V, V <sub>SWx</sub> = 1.35 V  | —                        | —                        | 25                       | mV   |
| t <sub>ONSWx</sub>   | Turn on time<br>10 % to 90 % of end value<br>DVS speed = 12.5 mV/4 μs, V <sub>SWxIN</sub> = 3.6 V, V <sub>SWx</sub> = 1.35 V   | —                        | —                        | 500                      | μs   |
| V <sub>SWxLOTR</sub> | Transient load regulation (Normal power mode)<br>Transient load = 50 mA to 250 mA, di/dt = 200 mA/μs<br>Overshoot<br>Undershoot  | —<br>—                   | 25<br>25                 | —<br>—                   | mV   |
| R <sub>ONSWxP</sub>  | SWx P-MOSFET R <sub>DS(on)</sub> at V <sub>SWxIN</sub> = 3.6 V   | —                        | 200                      | —                        | mΩ   |
| R <sub>ONSWxN</sub>  | SWx N-MOSFET R <sub>DS(on)</sub> at V <sub>SWxIN</sub> = 3.6 V   | —                        | 150                      | —                        | mΩ   |
| R <sub>SWxDIS</sub>  | Turn off discharge resistance  | —                        | 500                      | —                        | Ω    |

5.3.3 Electrical characteristics – SW3

All parameters are specified at  $T_A = -40\text{ °C}$  to  $105\text{ °C}$ ,  $V_{SYS} = V_{SW3IN} = 2.5\text{ V}$  to  $4.5\text{ V}$ ,  $V_{SW3} = 1.8\text{ V}$ ,  $I_{SW3} = 200\text{ mA}$ , typical external component values,  $f_{SW3} = 2.0\text{ MHz}$ , unless otherwise noted. Typical values are characterized at  $V_{SYS} = V_{SW3IN} = 3.6\text{ V}$ ,  $V_{SW3} = 1.8\text{ V}$ ,  $I_{SW3} = 200\text{ mA}$ , and  $25\text{ °C}$ , unless otherwise noted.

Table 20. SW3 electrical characteristics

| Symbol           | Parameter  | Min                      | Typ                      | Max                      | Unit             |
|------------------|--|--------------------------|--------------------------|--------------------------|------------------|
| $V_{SW3IN}$      | Operating input voltage  | 2.5                      | —                        | 4.5                      | V                |
| $V_{SW3}$        | Output voltage accuracy (all voltage settings)<br>Normal power mode, $2.5\text{ V} < V_{SW3IN} < 4.5\text{ V}$ , $0 < I_{SW3} < 1.0\text{ A}$                        | -2.0                     | —                        | 2.0                      | %                |
| $V_{SW3}$        | Output voltage accuracy (all voltage settings)<br>Low-power mode, $2.5\text{ V} < V_{SW3IN} < 4.5\text{ V}$ , $0 < I_{SW3} < 0.1\text{ A}$                           | -3.0                     | —                        | 3.0                      | %                |
| $\Delta V_{SW3}$ | Output ripple  | —                        | 5.0                      | —                        | mV               |
| SW3EFF           | Efficiency<br>$V_{SW3IN} = 3.6\text{ V}$ , $L_{SW3} = 1.0\text{ }\mu\text{H}$ , DCR = $50\text{ m}\Omega$<br>LP/ ULP Mode, $1.8\text{ V}$ , $1.0\text{ mA}$          | —                        | 88                       | —                        | %                |
| SW3EFF           | Efficiency<br>$V_{SW3IN} = 3.6\text{ V}$ , $L_{SWx} = 1.0\text{ }\mu\text{H}$ , DCR = $50\text{ m}\Omega$<br>Normal power mode, $1.8\text{ V}$ , $50\text{ mA}$      | —                        | 90                       | —                        | %                |
| SW3EFF           | Efficiency<br>$V_{SW3IN} = 3.6\text{ V}$ , $L_{SWx} = 1.0\text{ mH}$ , DCR = $50\text{ m}\Omega$<br>Normal power mode, $1.8\text{ V}$ , $100\text{ mA}$              | —                        | 91                       | —                        | %                |
| SW3EFF           | Efficiency<br>$V_{SW3IN} = 3.6\text{ V}$ , $L_{SWx} = 1.0\text{ }\mu\text{H}$ , DCR = $50\text{ m}\Omega$<br>Normal power mode, $1.8\text{ V}$ , $400\text{ mA}$     | —                        | 92                       | —                        | %                |
| SW3EFF           | Efficiency<br>$V_{SW3IN} = 3.6\text{ V}$ , $L_{SWx} = 1.0\text{ }\mu\text{H}$ , DCR = $50\text{ m}\Omega$<br>Normal power mode, $1.8\text{ V}$ , $1000\text{ mA}$    | —                        | 83                       | —                        | %                |
| $I_{SW3LIMH}$    | Current limiter peak (high-side MOSFET) current detection<br>SW3LIM[1:0] = 00<br>SW3LIM[1:0] = 01<br>SW3LIM[1:0] = 10<br>SW3LIM[1:0] = 11                            | 0.7<br>0.8<br>1.0<br>1.4 | 1.0<br>1.2<br>1.5<br>2.0 | 1.3<br>1.6<br>2.0<br>2.6 | A                |
| $I_{SW3LIML}$    | Current limiter low-side MOSFET current detection (sinking current)  | 0.7                      | 1.0                      | 1.3                      | A                |
| $I_{SW3Q}$       | Quiescent current (at $25\text{ °C}$ )<br>Low-power mode   | —                        | 1.0                      | —                        | $\mu\text{A}$    |
| $V_{SW3OSH}$     | Start-up overshoot (Normal mode)<br>$I_{SW3} = 0\text{ mA}$<br>$V_{SYS} = V_{SW3IN} = 3.6\text{ V}$ , $V_{SW3} = 1.8\text{ V}$                                       | —                        | —                        | 50                       | mV               |
| $t_{ONSW3}$      | Turn on time<br>10 % to 90 % of end value<br>$V_{SYS} = V_{SW3IN} = 3.6\text{ V}$ , $V_{SW3} = 1.8\text{ V}$   | —                        | —                        | 500                      | $\mu\text{s}$    |
| $V_{SW3LOTR}$    | Transient load regulation (Normal power mode)<br>Transient load = $50\text{ mA}$ to $250\text{ mA}$ , $di/dt = 200\text{ mA}/\mu\text{s}$<br>Overshoot<br>Undershoot | —<br>—                   | 50<br>50                 | —<br>—                   | mV               |
| $R_{ONSW3N}$     | SW3 N-MOSFET $R_{DS(on)}$ at $V_{SW3IN} = 3.6\text{ V}$  | —                        | 150                      | —                        | $\text{m}\Omega$ |
| $R_{ONSW3P}$     | SW3 P-MOSFET $R_{DS(on)}$ at $V_{SW3IN} = 3.6\text{ V}$  | —                        | 200                      | —                        | $\text{m}\Omega$ |
| $R_{SW3DIS}$     | Turn off discharge resistance  | —                        | 300                      | —                        | $\Omega$         |

### 5.3.4 Electrical characteristics – LDO1

All parameters are specified at  $T_A = -40\text{ }^{\circ}\text{C}$  to  $105\text{ }^{\circ}\text{C}$ ,  $V_{SYS} = 2.5\text{ V}$  to  $4.5\text{ V}$ ,  $V_{LDO1IN} = 3.6\text{ V}$ ,  $V_{LDO1}[4:0] = 11111$ ,  $I_{LDO1} = 10\text{ mA}$ , typical external component values, unless otherwise noted. Typical values are characterized at  $V_{SYS} = 3.6\text{ V}$ ,  $V_{LDO1IN} = 3.6\text{ V}$ ,  $V_{LDO1}[4:0] = 11111$ ,  $I_{LDO1} = 10\text{ mA}$ , and  $25\text{ }^{\circ}\text{C}$ , unless otherwise noted.

Table 21. LDO1 electrical characteristics

| Symbol                 | Parameter   | Min                  | Typ          | Max               | Unit          |
|------------------------|---|----------------------|--------------|-------------------|---------------|
| $V_{LDO1IN}$           | Operating input voltage<br>$V_{LDO1} + 250\text{ mV} \leq V_{SYS} \leq 4.5\text{ V}$  | 1.0                  | —            | 4.5               | V             |
| $V_{LDO1NOM}$          | Nominal output voltage  | —                    | See Table 41 | —                 | V             |
| $I_{LDO1MAX}$          | Rated output load current, Normal mode  | 300                  | —            | —                 | mA            |
| $I_{LDO1MAXLPM}$       | Rated output load current, Low-power mode   | 10                   | —            | —                 | mA            |
| $V_{LDO1TOL}$          | Output voltage tolerance, Normal mode<br>$V_{LDO1INMIN} < V_{LDO1IN} < 4.5\text{ V}$ , $0\text{ mA} < I_{LDO1} \leq 300\text{ mA}$<br>$0.8\text{ V} \leq V_{LDO1} < 1.8\text{ V}$<br>$1.8\text{ V} \leq V_{LDO1} \leq 3.3\text{ V}$<br>$V_{LDO1INMIN} < V_{LDO1IN} < 4.5\text{ V}$ , $0\text{ mA} < I_{LDO1} < 10\text{ mA}$ (Low-power mode) | —2.5<br>—2.5<br>—4.0 | —<br>—<br>—  | 2.5<br>2.5<br>4.0 | %             |
| $I_{LDO1LIM}$          | Current limit<br>$I_{LDO1}$ when $V_{LDO1}$ is forced to $V_{LDO1NOM}/2$  | 320                  | —            | 1000              | mA            |
| $I_{LDO1OCP}$          | LDO1FAULTI threshold (also used to disable LDO1 when $REGSCPEN = 1$ )   | 320                  | —            | 1000              | mA            |
| $I_{LDO1Q}$            | Quiescent current (at $25\text{ }^{\circ}\text{C}$ )<br>No load, change in $I_{V_{SYS}}$ and $I_{V_{LDO1IN}}$<br>When LDO1 enabled in Normal mode<br>When LDO1 enabled in Low-power mode  | —<br>—               | 17<br>2.5    | —<br>—            | $\mu\text{A}$ |
| $R_{DS(on)_QFN\_LDO1}$ | Dropout on resistance   | —                    | —            | 350               | m $\Omega$    |
| $PSRR_{LDO1}$          | PSRR<br>$I_{LDO1} = 150\text{ mA}$ , 20 Hz to 20 kHz<br>$V_{LDO1} = 3.30\text{ V}$ , $V_{LDO1IN} = 3.8\text{ V}$ , $V_{SYS} = 4.2\text{ V}$   | —                    | 56           | —                 | dB            |
| $TR_{V_{LDO1}}$        | Turn on time<br>10 % to 90 % of end value<br>$V_{LDO1INMIN} < V_{LDO1IN} \leq 4.5\text{ V}$ , $I_{LDO1} = 0.0\text{ mA}$  | —                    | 200          | 500               | $\mu\text{s}$ |
| $R_{LDO1DIS}$          | Turn off discharge resistance   | —                    | 250          | —                 | $\Omega$      |
| $LDO1OUT_{OSHT}$       | Start-up overshoot (% of final value)<br>$V_{LDO1INMIN} < V_{LDO1IN} \leq 4.5\text{ V}$ , $I_{LDO1} = 0.0\text{ mA}$  | —                    | 1.0          | 2.0               | %             |
| $V_{LDO1LOTR}$         | Transient load response<br>$V_{LDO1INMIN} < V_{LDO1IN} \leq 4.5\text{ V}$ , $I_{LDO1} = 10\text{ mA}$ to $200\text{ mA}$ in $10\text{ }\mu\text{s}$<br>Overshoot<br>Undershoot  | —<br>—               | 50<br>50     | —<br>—            | mV            |

### 5.3.5 Electrical characteristics – LDO2

All parameters are specified at  $T_A = -40\text{ }^{\circ}\text{C}$  to  $105\text{ }^{\circ}\text{C}$ ,  $V_{SYS} = 3.6\text{ V}$ ,  $V_{LDO2IN} = 3.6\text{ V}$ ,  $V_{LDO2}[3:0] = 1111$ ,  $I_{LDO2} = 10\text{ mA}$ , typical external component values, unless otherwise noted. Typical values are characterized at  $V_{SYS} = 3.6\text{ V}$ ,  $V_{LDO2IN} = 3.6\text{ V}$ ,  $V_{LDO2}[3:0] = 1111$ ,  $I_{LDO2} = 10\text{ mA}$ , and  $25\text{ }^{\circ}\text{C}$ , unless otherwise noted.

Table 22. LDO2 electrical characteristics

| Symbol       | Parameter   | Min                          | Typ    | Max        | Unit |
|--------------|---|------------------------------|--------|------------|------|
| $V_{LDO2IN}$ | Operating input voltage<br>$1.8\text{ V} \leq V_{LDO2NOM} \leq 2.5\text{ V}$<br>$2.6\text{ V} \leq V_{LDO2NOM} \leq 3.3\text{ V}$ | 2.8<br>$V_{LDO2NOM} + 0.250$ | —<br>— | 4.5<br>4.5 | V    |

Table 22. LDO2 electrical characteristics...continued

| Symbol                           | Parameter   | Min          | Typ          | Max        | Unit |
|----------------------------------|---|--------------|--------------|------------|------|
| V <sub>LDO2NOM</sub>             | Nominal output voltage  | —            | See Table 43 | —          | V    |
| I <sub>LDO2MAX</sub>             | Rated output load current, Normal mode  | 400          | —            | —          | mA   |
| I <sub>LDO2MAXLPM</sub>          | Rated output load current, Low-power mode   | 10           | —            | —          | mA   |
| V <sub>LDO2TOL</sub>             | Output voltage tolerance<br>V <sub>LDO2INMIN</sub> < V <sub>LDO2IN</sub> < 4.5 V<br>10.0 mA ≤ I <sub>LDO2</sub> < 400 mA<br>0.0 mA < I <sub>LDO2</sub> < 10 mA (Low-power mode)                 | -2.0<br>-4.0 | —<br>—       | 2.0<br>4.0 | %    |
| I <sub>LDO2LIM</sub>             | Current limit<br>I <sub>LDO2</sub> when V <sub>LDO2</sub> is forced to V <sub>LDO2NOM</sub> /2  | 450          | 750          | 1050       | mA   |
| I <sub>LDO2OCP</sub>             | LDO2FAULT1 threshold (also used to disable LDO2 when REGSCPEN = 1)  | 450          | —            | 1050       | mA   |
| I <sub>LDO2Q</sub>               | Quiescent Current (25 °C)<br>No load, change in I <sub>VSYS</sub> and I <sub>VLDO2IN</sub><br>When V <sub>LDO2</sub> enabled in Normal mode<br>When V <sub>LDO2</sub> enabled in Low-power mode | —<br>—       | 15<br>1.5    | —<br>—     | μA   |
| R <sub>DSON_QFN_LDO2</sub>       | Dropout on resistance   | —            | —            | 300        | mΩ   |
| PSRR <sub>V<sub>LDO2</sub></sub> | PSRR<br>I <sub>LDO2</sub> = 200 mA, 20 Hz to 20 kHz<br>V <sub>LDO2</sub> = 3.30 V, V <sub>LDO2IN</sub> = 3.9 V, V <sub>VSYS</sub> = 4.2 V   | —            | 60           | —          | dB   |
| t <sub>ONLDO2</sub>              | Turn on time<br>10 % to 90 % of end value<br>V <sub>LDO2INMIN</sub> < V <sub>LDO2IN</sub> ≤ 4.5 V, I <sub>LDO2</sub> = 0.0 mA   | —            | 200          | 500        | μs   |
| R <sub>LDO2DIS</sub>             | Turn off discharge resistance   | —            | 250          | —          | Ω    |
| LDO2OUT <sub>OSHT</sub>          | Start-up overshoot (% of final value)<br>V <sub>LDO2INMIN</sub> < V <sub>LDO2IN</sub> ≤ 4.5 V, I <sub>LDO2</sub> = 0.0 mA   | —            | 1.0          | 2.0        | %    |
| V <sub>LDO2LOTR</sub>            | Transient load response<br>V <sub>LDO2INMIN</sub> < V <sub>LDO2IN</sub> ≤ 4.5 V, I <sub>LDO2</sub> = 10 mA to 100 mA in 10 μs<br>Overshoot<br>Undershoot  | —<br>—       | 50<br>50     | —<br>—     | mV   |

5.3.6 Electrical characteristics – LDO3

All parameters are specified at T<sub>A</sub> = -40 °C to 105 °C, V<sub>VSYS</sub> = 2.5 V to 4.5 V, V<sub>LDOIN3</sub> = 3.6 V, VLDO3[4:0] = 11111, I<sub>LDO3</sub> = 10 mA, typical external component values, unless otherwise noted. Typical values are characterized at V<sub>VSYS</sub> = 3.6 V, V<sub>LDOIN3</sub> = 3.6 V, VLDO3[4:0] = 11111, I<sub>LDO3</sub> = 10 mA, and 25 °C, unless otherwise noted.

Table 23. LDO3 electrical characteristics

| Symbol                  | Parameter   | Min                  | Typ          | Max               | Unit |
|-------------------------|---|----------------------|--------------|-------------------|------|
| V <sub>LDO3IN</sub>     | Operating input voltage<br>V <sub>LDO3</sub> + 250 mV ≤ V <sub>VSYS</sub> ≤ 4.5 V   | 1.0                  | —            | 4.5               | V    |
| V <sub>LDO3NOM</sub>    | Nominal output voltage  | —                    | See Table 41 | —                 | V    |
| I <sub>LDO3MAX</sub>    | Rated output load current, Normal mode  | 300                  | —            | —                 | mA   |
| I <sub>LDO3MAXLPM</sub> | Rated output load current, Low-power mode   | 10                   | —            | —                 | mA   |
| V <sub>LDO3TOL</sub>    | Output voltage tolerance, Normal mode<br>V <sub>LDO3INMIN</sub> < V <sub>LDO3IN</sub> < 4.5 V, 0 mA < I <sub>LDO3</sub> < 300 mA<br>0.8 V ≤ V <sub>LDO3</sub> < 1.8 V<br>1.8 V ≤ V <sub>LDO3</sub> ≤ 3.3 V<br>V <sub>LDO3INMIN</sub> < V <sub>LDO3IN</sub> < 4.5 V, 0 mA < I <sub>LDO3</sub> < 10 mA (Low-power mode) | -2.5<br>-2.5<br>-4.0 | —<br>—<br>—  | 2.5<br>2.5<br>4.0 | %    |
| I <sub>LDO3LIM</sub>    | Current limit<br>I <sub>LDO3</sub> when V <sub>LDO3</sub> is forced to V <sub>LDO3NOM</sub> /2  | 320                  | —            | 1000              | mA   |

Table 23. LDO3 electrical characteristics...continued

| Symbol                     | Parameter  | Min    | Typ       | Max    | Unit |
|----------------------------|--|--------|-----------|--------|------|
| I <sub>LDO3OCP</sub>       | LDO3FAULTI threshold (also used to disable LDO3 when REGSCPEN = 1)   | 320    | —         | 1000   | mA   |
| I <sub>LDO3Q</sub>         | Quiescent current (at 25 °C)<br>No load, change in I <sub>VSYS</sub> and I <sub>VLDOIN3</sub><br>When LDO3 enabled in Normal mode<br>When LDO3 enabled in Low-power mode | —<br>— | 17<br>2.5 | —<br>— | μA   |
| R <sub>DSON_QFN_LDO3</sub> | Dropout on resistance  | —      | —         | 350    | mΩ   |
| PSRR <sub>LDO3</sub>       | PSRR<br>I <sub>LDO3</sub> = 150 mA, 20 Hz to 20 kHz<br>V <sub>LDO3</sub> = 3.30 V, V <sub>LDO3IN</sub> = 3.8 V, V <sub>VSYS</sub> = 4.2 V                                | —      | 56        | —      | dB   |
| TR <sub>VLDO3</sub>        | Turn on time<br>10 % to 90 % of end value<br>V <sub>LDO3INMIN</sub> < V <sub>LDO3IN</sub> < 4.5 V, I <sub>LDO3</sub> = 0.0 mA  | —      | 200       | 500    | μs   |
| R <sub>LDO3DIS</sub>       | Turn off discharge resistance  | —      | 250       | —      | Ω    |
| LDO3OUT <sub>OSHT</sub>    | Start-up overshoot (% of final value)<br>V <sub>LDO3INMIN</sub> < V <sub>LDO3IN</sub> ≤ 4.5 V, I <sub>LDO3</sub> = 0.0 mA  | —      | 1.0       | 2.0    | %    |
| V <sub>LDO3LOTR</sub>      | Transient load response<br>V <sub>LDO3INMIN</sub> < V <sub>LDO3IN</sub> ≤ 4.5 V, I <sub>LDO3</sub> = 10 mA to 100 mA in 10 μs<br>Overshoot<br>Undershoot                 | —<br>— | 50<br>50  | —<br>— | mV   |

### 5.3.7 Electrical characteristics – VREFDDR

T<sub>A</sub> = -40 to 105 °C, V<sub>VSYS</sub> = 2.5 V to 4.5 V, I<sub>REFDDR</sub> = 0.0 mA, V<sub>INREFDDR</sub> = 1.35 V and typical external component values, unless otherwise noted. Typical values are characterized at V<sub>VSYS</sub> = 3.6 V, I<sub>REFDDR</sub> = 0.0 mA, V<sub>INREFDDR</sub> = 1.35 V, and 25 °C, unless otherwise noted.

Table 24. VREFDDR electrical characteristics

| Symbol                 | Parameter   | Min   | Typ                      | Max   | Unit |
|------------------------|---|-------|--------------------------|-------|------|
| V <sub>INREFDDR</sub>  | Operating input voltage range   | 0.9   | —                        | 1.8   | V    |
| V <sub>REFDDR</sub>    | Output voltage, 0.9 V < V <sub>INREFDDR</sub> < 1.8 V, 0 mA < I <sub>REFDDR</sub> < 10 mA   | —     | V <sub>INREFDDR</sub> /2 | —     | V    |
| V <sub>REFDDRTOL</sub> | Output voltage tolerance, as a percentage of V <sub>INREFDDR</sub> , 1.2 V < V <sub>INREFDDR</sub> < 1.65 V, 0 mA < I <sub>REFDDR</sub> < 10 mA | 49.25 | 50                       | 50.75 | %    |
| I <sub>REFDDRQ</sub>   | Quiescent current (at 25 °C)  | —     | 1.1                      | —     | μA   |
| I <sub>REFDDRLM</sub>  | Current limit, I <sub>REFDDR</sub> when V <sub>REFDDR</sub> is forced to V <sub>INREFDDR</sub> /4   | 10.5  | 24                       | 38    | mA   |
| t <sub>ONREFDDR</sub>  | Turn on time, 10 % to 90 % of end value, V <sub>INREFDDR</sub> = 1.2 V to 1.65 V, I <sub>REFDDR</sub> = 0.0 mA                                  | —     | —                        | 100   | μs   |

### 5.3.8 Electrical characteristics – VSNVS

All parameters are specified at T<sub>A</sub> = -40 °C to 105 °C, V<sub>VSYS</sub> = 3.6 V, V<sub>SNVS</sub> = 3.0 V, I<sub>SNVS</sub> = 5.0 μA, typical external component values, unless otherwise noted. Typical values are characterized at V<sub>VSYS</sub> = 3.6 V, V<sub>SNVS</sub> = 3.0 V, I<sub>SNVS</sub> = 5.0 μA, and 25 °C, unless otherwise noted.

Table 25. VSNVS electrical characteristics

| Symbol              | Parameter   | Min         | Typ    | Max        | Unit |
|---------------------|---|-------------|--------|------------|------|
| V <sub>SNVSIN</sub> | Operating input voltage<br>Valid coin cell range<br>Valid V <sub>VSYS</sub> | 1.8<br>2.45 | —<br>— | 3.3<br>4.5 | V    |

Table 25. VSNVS electrical characteristics...continued

| Symbol                | Parameter   | Min                                | Typ           | Max        | Unit |
|-----------------------|---|------------------------------------|---------------|------------|------|
| I <sub>SNVS</sub>     | Operating load current<br>$V_{SNVSINMIN} < V_{SNVSIN} < V_{SNVSINMAX}$  | 2000                               | —             | —          | μA   |
| V <sub>TL1</sub>      | VSYS threshold (VSYS powered to coin cell powered)  | —                                  | UVDET failing | —          | V    |
| V <sub>TH1</sub>      | VSYS threshold (coin cell powered to VSYS powered)  | —                                  | UVDET rising  | —          | V    |
| V <sub>SNVS</sub>     | Output voltage (when running from VSYS)<br>$0 \mu A < I_{SNVS} < 2000 \mu A$<br>Output voltage (when running from LICELL)<br>$0 \mu A < I_{SNVS} < 2000 \mu A$<br>$2.84 V < V_{COIN} < 3.3 V$ | -7.0 %<br>V <sub>COIN</sub> - 0.20 | 3.0<br>—      | 7.0 %<br>— | V    |
| V <sub>SNVSDROP</sub> | Dropout voltage<br>VSYS = 2.9 V<br>I <sub>SNVS</sub> = 2000 μA  | —                                  | —             | 220        | mV   |
| I <sub>SNVSLIM</sub>  | Current limit<br>VSYS > V <sub>TH1</sub>  | 5200                               | —             | 24000      | μA   |
| V <sub>SNVSTON</sub>  | Turn on time (load capacitor, 0.47 μF)<br>10 % to 90 % of final value V <sub>SNVS</sub><br>V <sub>COIN</sub> = 0.0 V, I <sub>SNVS</sub> = 0 μA  | —                                  | —             | 3.0        | ms   |
| V <sub>SNVSOSH</sub>  | Start-up overshoot<br>I <sub>SNVS</sub> = 5.0 μA<br>dVSYS/dt = 50 mV/μs   | —                                  | 40            | 70         | mV   |
| R <sub>DSONSNVS</sub> | Internal switch R <sub>DS(on)</sub><br>V <sub>COIN</sub> = 2.6 V  | —                                  | —             | 100        | Ω    |

### 5.3.9 Electrical characteristics – IC level bias currents

All parameters are specified at 25 °C, VSYS = 3.6 V, VBUSIN = 0 V, typical external component values, unless otherwise noted. Typical values are characterized at VSYS = 3.6 V, V<sub>SNVS</sub> = 3.0 V, and 25 °C, unless otherwise noted.

Table 26. IC level electrical characteristics

| Mode            | PF1550 conditions   | System conditions                                      | Typ  | Max | Unit |
|-----------------|---|--|------|-----|------|
| Coin cell       | VSNVS from LICELL<br>All other blocks off<br>VSYS = 0.0 V   | No load on VSNVS                                       | 1.5  | 4.0 | μA   |
| CORE_OFF        | VSNVS from VSYS<br>Wake-up from ONKEY active<br>All other blocks off<br>VSYS > UVDET  | No load on VSNVS, PMIC able to wake up                 | 1.5  | 4.0 | μA   |
| Sleep           | VSNVS from VSYS<br>Wake-up from PWRON active<br>Trimmed reference active<br>DDR I/O rail in Low-power mode<br>VREFDDR disabled  | No load on VSNVS. DDR memories in self-refresh.        | 12.5 | 25  | μA   |
| Standby/Suspend | VSNVS from either VSYS or LICELL<br>SW1 in ultra Low-power mode<br>SW2 in ultra Low-power mode<br>SW3 in ultra Low-power mode<br>Trimmed reference active<br>VLDO1 is disabled<br>VLDO2 enabled in Low-power mode<br>VLDO3 enabled in Low-power mode<br>VREFDDR enabled | No load on VSNVS. Processor enabled in Low-power mode. | 23   | 46  | μA   |

Table 26. IC level electrical characteristics...continued

| Mode         | PF1550 conditions   | System conditions                      | Typ  | Max | Unit |
|--------------|---|--|------|-----|------|
| REGS_DISABLE | VSNVS from VSYS<br>Wake-up from ONKEY active<br>Most other blocks off<br>VSYS > UVDET | No load on VSNVS, PMIC able to wake up | 14   | 20  | μA   |
| SHIP         | BATFET open, no LICELL connected<br>VSYS = 0 V, only awake from ONKEY enabled         |  | 0.45 | 1.0 | μA   |

## 6 Detailed description

The PF1550 PMIC features three high efficiency low quiescent current buck regulators, three LDO regulators, a DDR voltage reference to supply voltages for the application processor and peripheral devices.

Additionally, PF1550 incorporates a single cell Li-ion linear battery charger with a USB-PHY regulator.

The buck regulators provide the supply to processor cores and to other low voltage circuits such as I/O and memory. Dynamic voltage scaling is provided to allow controlled supply rail adjustments for the processor cores for power optimization.

The three LDO regulators are general purpose to power various processor rails, system connectivity devices and/or peripherals. Depending on the system power configuration, the general purpose LDO regulators can be directly supplied from the main system supply VSYS or from the switching regulators to power peripherals, such as audio, camera, Bluetooth, Wireless LAN.

A specific VREFDDR voltage reference is included to provide accurate reference voltage for DDR memories operation.

The VSNVS block behaves as an LDO, or as a bypass switch to supply the SNVS (Secure Non-Volatile Storage) /RTC (Real Time Clock) circuitry on the processor. VSNVS is powered from VSYS or from a coin cell.

To accommodate applications that do not include Li-ion battery, the PF1550 battery charger regulates the input voltage at VBUSIN pin down to maximum of 4.5 V at VSYS through the power path circuit.

Table 27. Voltage regulators

| Supply    | Output voltage (V)           | Programming step size (mV) | Load current (mA) |
|-----------|------------------------------|----------------------------|-------------------|
| SW1 / SW2 | 0.60 to 1.3875 / 1.1 to 3.3  | 12.5 / variable            | 1000              |
| SW3       | 1.80 to 3.30                 | 100                        | 1000              |
| LDO1      | 0.75 to 1.50<br>1.80 to 3.30 | 50<br>100                  | 300               |
| LDO2      | 1.80 to 3.30                 | 100                        | 400               |
| LDO3      | 0.75 to 1.50<br>1.80 to 3.30 | 50<br>100                  | 300               |
| USBPHY    | 3.3 or 4.9                   | —                          | 60                |
| VSNVS     | 3.0                          | N/A                        | 2                 |
| VREFDDR   | 0.5*VINREFDDR                | N/A                        | 10                |



## 6.1 Buck regulators

The PF1550 features three high-efficiency buck regulators with internal compensation. Each buck regulator is capable of meeting optimum power efficiency operation using reduced power variable-frequency pulse skip switching scheme at light loads as well as operating in forced PWM quasi-fixed frequency switching mode at higher loads. The switching regulator controller combines the advantages of hysteretic and voltage mode control which provides outstanding load regulation and transient response, low output ripple voltage, and seamless transition between pulse-skip mode and Active Quasi-fixed frequency switching mode. The control circuitry includes an AC loop which senses the output voltage (at SWx<sub>FB</sub> pin) and directly feeds it to a fast comparator stage. This comparator sets the switching frequency, which is almost constant for steady state operating conditions. It also provides immediate response to dynamic load changes.

In order to achieve accurate DC load regulation, a voltage feedback loop is used. The internally compensated regulation network achieves fast and stable operation with small external components and low ESR capacitors. The transition into and out of low-power pulse-skip switching mode takes place automatically according to the load current to maintain optimum power efficiency. Additionally, further power savings through cutting the buck circuitry quiescent current can be achieved by activating a Low-power mode upon entering either STANDBY or SLEEP PMIC power mode or as commanded via I<sup>2</sup>C control bits. In SW1 and SW2. An OTP option enables or disables DVS in the regulators. When DVS is disabled and the low-power bit is set, the regulator enters an Ultra Low Power (ULP) mode that cuts the operating quiescent current even, in order to reach extremely low standby power levels needed for ultra low power processors such as that from Kinetis K and L series.

As indicated above, the buck controller supports PWM (Pulse Width Modulation) mode for medium and high load conditions and low-power variable-frequency pulse skip mode at light loads. During high current mode, it operates in continuous conduction and the switching frequency is up to 2.0 MHz with a controlled on-time variation depending on the input voltage and output voltage. If the load current decreases, the converter seamlessly enters the pulse-skip mode to cut the operating quiescent current and maintain high efficiency down to very light loads. In pulse-skip mode, the switching frequency varies linearly with the load current. Since the controller supports both power modes within one single building block, the transition from normal power mode to lower power pulse-skip mode and vice versa is seamless without dramatic effects on the output voltage.

In the adopted pulse-skip scheme, the device generates a single switching pulse to ramp up the inductor current and recharge the output capacitor, followed by a non-switching (pause) period where most of the internal circuits are shut down to achieve a lowest quiescent current. During this time, the load current is supported by the output capacitor. The duration of the pause period depends on the load current and the inductor peak current.

## 6.2 SW1 and SW2 detailed description

SW1 and SW2 are identical buck regulators designed to carry a nominal load current of 1.0 A. Detailed characteristics and features of SW1 and SW2 are described in this section. Being identical, reference is made only to SWx though the same specifications apply to SW1 and SW2.

6.2.1 SWx dynamic voltage scaling description

SWx integrates an optional DVS circuit that is enabled via OTP. To reduce overall power consumption, when DVS is enabled SWx output voltage can be varied depending on the mode or activity level of the processor.

- Normal operation:**  
 The output voltage is selected by I<sup>2</sup>C bits SWx\_VOLT[5:0]. A voltage transition initiated by I<sup>2</sup>C is governed by the SWx\_DVSSPEED I<sup>2</sup>C bit as shown in [Table 28](#).
- Standby mode:**  
 The output voltage can be selected by I<sup>2</sup>C bits SWx\_STBY\_VOLT[5:0]. Voltage transitions initiated by a Standby event are governed by the SWx\_DVSSPEED I<sup>2</sup>C bit as shown in [Table 28](#). This applies only when DVS is enabled.
- Sleep mode:**  
 The output voltage can be higher or lower than in normal operation, but is typically selected to be the lowest state retention voltage of a given processor; it is selected by I<sup>2</sup>C bits SWx\_SLP\_VOLT[5:0]. Voltage transitions initiated by a turn off event are governed by the SWx\_DVSSPEED I<sup>2</sup>C bit for SWx as shown in [Table 28](#). This applies only when DVS is enabled.

As shown in [Figure 5](#), during a falling DVS transition, dv/dt of the output voltage depends on the load current. Setting the SWx\_FPWM\_IN\_DVS bit forces the regulator in the FPWM mode during the falling transition allowing it to accurately track the DVS reference, removing the load dependency. The SWx\_FPWM\_IN\_DVS bit is active only when OTP\_SWx\_DVS\_SEL = 0.

Table 28. SWx DVS setting selection

| SWx_DVS speed | Function                 |
|---------------|--------------------------|
| 0             | 12.5 mV step each 2.0 μs |
| 1             | 12.5 mV step each 4.0 μs |

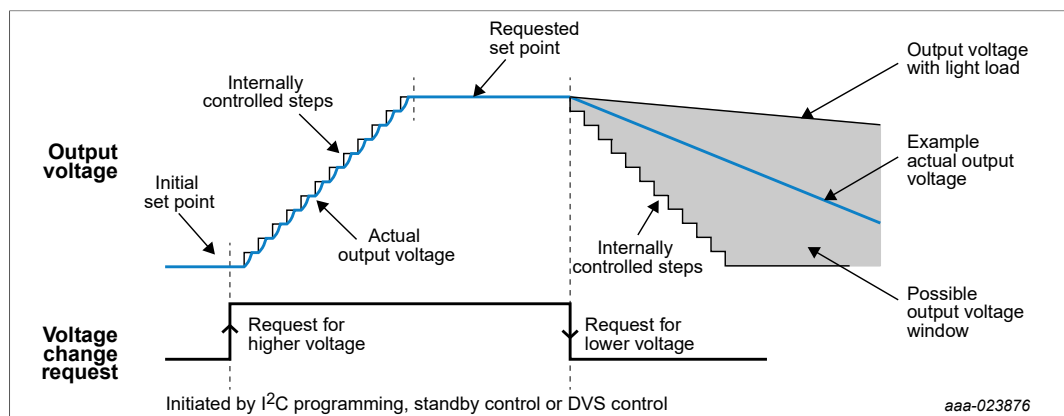


Figure 5. SWx DVS transitions

6.2.2 SWx DVS and non-DVS operation

SWx has two distinct modes of operation selectable via OTP:

- DVS enabled:** a DVS reference is activated and output accuracy of the regulator is tight at the cost of slightly higher quiescent current. See [Section 5.3 "Electrical characteristics"](#) for details. In [Figure 6](#), **DVS FB** and **DVS REF** are enabled via OTP for this mode of operation.

Power management integrated circuit (PMIC) for low power application processors

- DVS disabled: the regulator operates as a traditional buck converter with a fixed reference and soft-start. The quiescent current in this mode is lower at the cost of output accuracy and transient response. See [Section 5.3 "Electrical characteristics"](#) for details. In [Figure 6](#), VREF FB and VREF are enabled via OTP for this mode of operation.

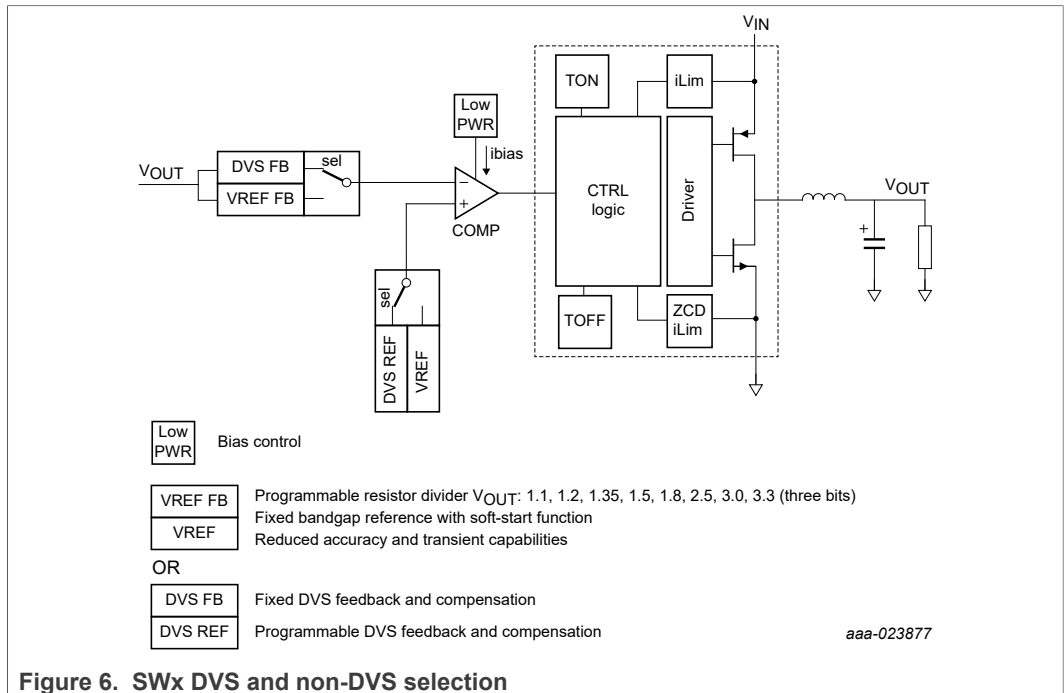


Figure 6. SWx DVS and non-DVS selection

### 6.2.3 Regulator control

To improve system efficiency, the buck regulators can operate in different switching/ bias modes. The changing between DCM (Discontinuous Conduction Mode) / CCM (Continuous Conduction Mode) takes place automatically based on detecting the load current level. It can be enforced by one of the following means: I<sup>2</sup>C programming, exiting/ entering the Standby mode, exiting/entering Sleep/ Low-power mode.

Available modes for buck regulators are presented in [Table 29](#). These switching modes are available with OTP\_SWx\_DVS\_SEL = 0 and OTP\_SWx\_DVS\_SEL = 1. [Table 30](#) shows the bit settings for operating the buck converter in these modes based on the PMIC operating state.

Table 29. Buck regulator operating modes

| Mode      | Description   |
|-----------|---|
| OFF       | The regulator is switched off and the output voltage is discharged using an internal resistor.  |
| Adaptive  | This is the default mode of operation of the buck regulator. In this mode, the regulator operates in a quasi-fixed frequency switching mode at moderate and high loads, with pulse skip (variable switching frequency) scheme at light load for optimized efficiency.   |
| F-PWM     | In this mode, the regulator is always in PWM mode operation regardless of load conditions.  |
| Low-power | To further extend power savings when the load current is minimal, this mode cuts the quiescent current of the buck converter by reducing the bias to the comparator. The regulator is operated in Low-power modes (Standby and/or Sleep) with the proper I <sup>2</sup> C setting. See <a href="#">Table 30</a> . |

The following table shows actions to control different bits for SW1 and SW2.

Table 30. Buck mode control

| PMIC state        | SWx_EN | SWx_STBY | SWx_OMODE | SWx_LPWR | SWx_FPWM | SWx operating mode                                |
|-------------------|--------|----------|-----------|----------|----------|---|
| Run/Standby/Sleep | 0      | X        | X         | X        | X        | SW disabled                                       |
| Run               | 1      | X        | X         | 0        | 0        | SW enabled. Operates in DCM at light loads        |
| Run               | 1      | X        | X         | 0        | 1        | SW enabled. Forced PWM mode                       |
| Run               | 1      | X        | X         | 1        | 0        | SW Enabled. Does not operate in Low-power mode.   |
| Run               | 1      | X        | X         | 1        | 1        | SW enabled. Forced PWM mode – not Low-power mode. |
| Standby           | 1      | 0        | X         | X        | X        | SW disabled                                       |
| Standby           | 1      | 1        | X         | 0        | 0        | SW enabled. Operates in DCM at light loads.       |
| Standby           | 1      | 1        | X         | 0        | 1        | SW enabled. Forced PWM mode.                      |
| Standby           | 1      | 1        | X         | 1        | 0        | SW enabled. Operates in Low-power mode.           |
| Standby           | 1      | 1        | X         | 1        | 1        | SW enabled. Forced PWM mode – not Low-power mode. |
| Sleep             | 1      | X        | 0         | X        | X        | SW disabled                                       |
| Sleep             | 1      | X        | 1         | 0        | 0        | SW enabled. Operates in DCM at light loads.       |
| Sleep             | 1      | X        | 1         | 0        | 1        | SW enabled. Forced PWM mode.                      |
| Sleep             | 1      | X        | 1         | 1        | 0        | SW enabled. Operates in Low-power mode.           |
| Sleep             | 1      | X        | 1         | 1        | 1        | SW enabled. Forced PWM mode – not Low-power mode. |

### 6.2.4 Current limit protection

SWx features high and low-side FET current limit. When current through the FETs go above their respective thresholds, the FET is turned-off to prevent further increase in current.

The protection is enabled in a cycle-by-cycle mode. Hitting either current limit sets the corresponding interrupt sense bits. If the faults persist for longer than the 8.0 ms debounce time, the interrupt status bit is set.

### 6.2.5 Output voltage setting in SWx

Output voltage of SWx is programmable via OTP. During startup (REGS\_DISABLE mode to RUN mode), contents of the OTP\_SWx\_VOLT[5:0] are mapped into the SWx\_VOLT[5:0], SWx\_STBY\_VOLT[5:0], and SWx\_SLP\_VOLT[5:0] register which set the regulator output voltage during Run, Standby, and Sleep modes respectively.

In the DVS enabled mode (OTP\_SWx\_DVS\_SEL = 0), values of SWx\_VOLT[5:0], SWx\_STBY[VOLT[5:0], and SWx\_SLP\_VOLT[5:0] can be changed via I<sup>2</sup>C after the PMIC starts up (RESETBMCU is released).

In the DVS disabled mode (OTP\_SWx\_DVS\_SEL = 1), value of SWx\_VOLT[5:0], SWx\_STBY[VOLT[5:0], and SWx\_SLP\_VOLT[5:0] are read-only and must not be written to.

Table 31. SW1 and SW2 output voltage setting

| Set point | SWx_VOLT[5:0]<br>SWx_STBY_VOLT[5:0]<br>SWx_SLP_VOLT[5:0] | Output voltage<br>with DVS enabled<br>OTP_SWx_DVS_SEL = 0 | Output voltage<br>with DVS disabled<br>OTP_SWx_DVS_SEL = 1 |
|-----------|--|---|--|
| 0         | 000000   | 0.6000  | 1.10   |
| 1         | 000001   | 0.6125  | 1.20   |
| 2         | 000010   | 0.6250  | 1.35   |
| 3         | 000011   | 0.6375  | 1.50   |
| 4         | 000100   | 0.6500  | 1.80   |
| 5         | 000101   | 0.6625  | 2.50   |
| 6         | 000110   | 0.6750  | 3.00   |
| 7         | 000111   | 0.6875  | 3.30   |
| 8         | 001000   | 0.7000  | 3.30   |
| 9         | 001001   | 0.7125  | 3.30   |
| 10        | 001010   | 0.7250  | 3.30   |
| 11        | 001011   | 0.7375  | 3.30   |
| 12        | 001100   | 0.7500  | 3.30   |
| 13        | 001101   | 0.7625  | 3.30   |
| 14        | 001110   | 0.7750  | 3.30   |
| 15        | 001111   | 0.7875  | 3.30   |
| 16        | 010000   | 0.8000  | 3.30   |
| 17        | 010001   | 0.8125  | 3.30   |
| 18        | 010010   | 0.8250  | 3.30   |
| 19        | 010011   | 0.8375  | 3.30   |
| 20        | 010100   | 0.8500  | 3.30   |
| 21        | 010101   | 0.8625  | 3.30   |
| 22        | 010110   | 0.8750  | 3.30   |
| 23        | 010111   | 0.8875  | 3.30   |
| 24        | 011000   | 0.9000  | 3.30   |
| 25        | 011001   | 0.9125  | 3.30   |
| 26        | 011010   | 0.9250  | 3.30   |
| 27        | 011011   | 0.9375  | 3.30   |
| 28        | 011100   | 0.9500  | 3.30   |
| 29        | 011101   | 0.9625  | 3.30   |
| 30        | 011110   | 0.9750  | 3.30   |
| 31        | 011111   | 0.9875  | 3.30   |
| 32        | 100000   | 1.0000  | 3.30   |
| 33        | 100001   | 1.0125  | 3.30   |
| 34        | 100010   | 1.0250  | 3.30   |

Table 31. SW1 and SW2 output voltage setting...continued

| Set point | SWx_VOLT[5:0]<br>SWx_STBY_VOLT[5:0]<br>SWx_SLP_VOLT[5:0] | Output voltage<br>with DVS enabled<br>OTP_SWx_DVS_SEL = 0 | Output voltage<br>with DVS disabled<br>OTP_SWx_DVS_SEL = 1 |
|-----------|--|---|--|
| 35        | 100011   | 1.0375  | 3.30   |
| 36        | 100100   | 1.0500  | 3.30   |
| 37        | 100101   | 1.0625  | 3.30   |
| 38        | 100110   | 1.0750  | 3.30   |
| 39        | 100111   | 1.0875  | 3.30   |
| 40        | 101000   | 1.1000  | 3.30   |
| 41        | 101001   | 1.1125  | 3.30   |
| 42        | 101010   | 1.125   | 3.30   |
| 43        | 101011   | 1.1375  | 3.30   |
| 44        | 101100   | 1.1500  | 3.30   |
| 45        | 101101   | 1.1625  | 3.30   |
| 46        | 101110   | 1.1750  | 3.30   |
| 47        | 101111   | 1.1875  | 3.30   |
| 48        | 110000   | 1.2000  | 3.30   |
| 49        | 110001   | 1.2125  | 3.30   |
| 50        | 110010   | 1.2250  | 3.30   |
| 51        | 110011   | 1.2375  | 3.30   |
| 52        | 110100   | 1.2500  | 3.30   |
| 53        | 110101   | 1.2625  | 3.30   |
| 54        | 110110   | 1.2750  | 3.30   |
| 55        | 110111   | 1.2875  | 3.30   |
| 56        | 111000   | 1.3000  | 3.30   |
| 57        | 111001   | 1.3125  | 3.30   |
| 58        | 111010   | 1.3250  | 3.30   |
| 59        | 111011   | 1.3375  | 3.30   |
| 60        | 111100   | 1.3500  | 3.30   |
| 61        | 111101   | 1.3625  | 3.30   |
| 62        | 111110   | 1.3750  | 3.30   |
| 63        | 111111   | 1.3875  | 3.30   |

6.2.6 SWx external components

Table 32 shows the combination of inductor and capacitor values that work with the SWx regulator.

The design is optimized for a 1.0 μH inductor.

Table 32. Acceptable inductance and capacitance values

|                          |           |
|--------------------------|-----------|
| Inductance / capacitance | 2 x 10 μF |
| 1.0 μH                   |           |

Table 33 and Table 34 show example inductor and capacitor part numbers respectively.

Table 33. Example inductor part numbers

| Part number | Size (mm) | 1.0 μH        |
|-------------|-----------|---------------|
| DFE201610E  | 2.0 x 1.6 | 57 mΩ, 3.6 A  |
| DFE201610P  | 2.0 x 1.6 | 70 mΩ, 3.1 A  |
| DFE201210U  | 2.0 x 1.2 | 95 mΩ, 3.1 A  |
| DFE160810S  | 1.6 x 0.8 | 120 mΩ, 2.0 A |
| DFE201208S  | 2.0 x 1.2 | 86 mΩ, 2.4 A  |
| DFE160808S  | 1.6 x 0.8 | 144 mΩ, 1.9 A |

Table 34. Example capacitor part numbers

| Murata part number | Description                     |
|--------------------|---------------------------------|
| GRM188R60J106ME47D | 6.3 V, 10 μF, 0402, X5R         |
| GRM188D70J106MA73  | 6.3 V, 10 μF, 0402, X7R         |
| GRM188R61A106KE69  | 10 μF 10 V 10 % X5R 0603 .95 mm |
| GRM219R61A106KE44  | 10 μF 10 V 10 % X5R 0805 .95 mm |

6.3 SW3 detailed description

SW3 is a buck regulator designed to carry a nominal load current of 1.0 A. The output voltage is programmable from 1.8 V to 3.3 V in 100 mV steps. Dynamic voltage scaling is not supported in this regulator.

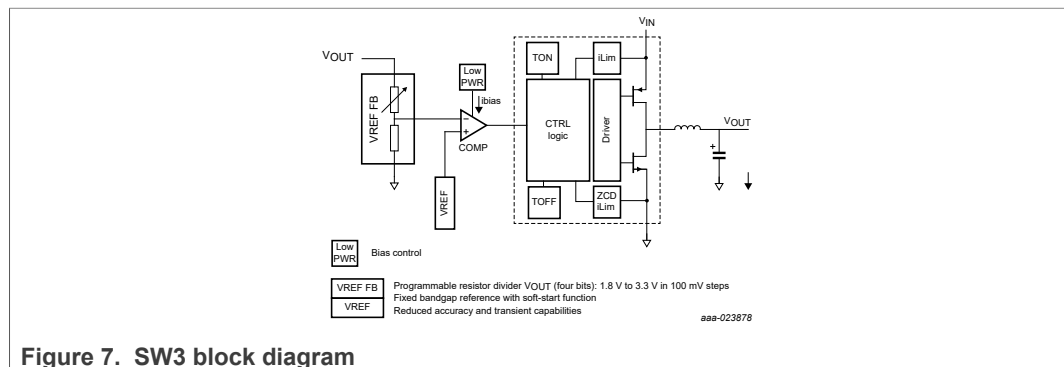


Figure 7. SW3 block diagram

### 6.3.1 Regulator control

To improve system efficiency, the buck regulator can operate in different switching/bias modes. The changing between DCM/CCM takes place automatically based on detecting the load current level. It can be enforced by one of the following means: I<sup>2</sup>C programming, exiting/entering the Standby mode, exiting/entering Sleep/ Low-power mode.

Available modes for buck regulators are presented in [Table 35](#).

[Table 36](#) shows the bit settings for operating the buck converter in these modes based on the PMIC operating state.

**Table 35. SW3 buck regulator operating modes**

| Mode      | Description   |
|-----------|---|
| OFF       | The regulator is switched off and the output voltage is discharged using an internal resistor.  |
| Adaptive  | This is the default mode of operation of the buck regulator. In this mode, the regulator operates in a quasi-fixed frequency switching mode at moderate and high loads, with pulse skip (variable switching frequency) scheme at light load for optimized efficiency.   |
| F-PWM     | In this mode, the regulator is always in PWM mode operation regardless of load conditions.  |
| Low-power | To further extend power savings when the load current is minimal, this mode cuts the quiescent current of the buck converter by reducing the bias to the comparator. The regulator is operated in low power modes (Standby and/or Sleep) with the proper I <sup>2</sup> C setting. See <a href="#">Table 36</a> . |

**Table 36. SW3 buck mode control**

| PMIC state        | SW3_EN | SW3_STBY | SW3_OMODE | SW3_LPWR | SW3_FPWM | SW3 operating mode                               |
|-------------------|--------|----------|-----------|----------|----------|--|
| Run/Standby/Sleep | 0      | X        | X         | X        | X        | SW disabled                                      |
| Run               | 1      | X        | X         | 0        | 0        | SW enabled<br>Operates in DCM at light loads     |
| Run               | 1      | X        | X         | 0        | 1        | SW enabled<br>Forced PWM mode                    |
| Run               | 1      | X        | X         | 1        | 0        | SW enabled<br>Does not operate in Low-power mode |
| Run               | 1      | X        | X         | 1        | 1        | SW enabled<br>Forced PWM mode                    |
| Standby           | 1      | 0        | X         | X        | X        | SW disabled                                      |
| Standby           | 1      | 1        | X         | 0        | 0        | SW enabled<br>Operates in DCM at light loads     |
| Standby           | 1      | 1        | X         | 0        | 1        | SW enabled<br>Forced PWM mode                    |
| Standby           | 1      | 1        | X         | 1        | 0        | SW Enabled<br>Operates in Low-power mode         |
| Standby           | 1      | 1        | X         | 1        | 1        | SW enabled<br>Forced PWM mode                    |
| Sleep             | 1      | X        | 0         | X        | X        | SW disabled                                      |



Table 36. SW3 buck mode control...continued

| PMIC state | SW3_EN | SW3_STBY | SW3_OMODE | SW3_LPWR | SW3_FPWM | SW3 operating mode                           |
|------------|--------|----------|-----------|----------|----------|--|
| Sleep      | 1      | X        | 1         | 0        | 0        | SW enabled<br>Operates in DCM at light loads |
| Sleep      | 1      | X        | 1         | 0        | 1        | SW enabled<br>Forced PWM mode                |
| Sleep      | 1      | X        | 1         | 1        | 0        | SW enabled<br>Operates in Low-power mode     |
| Sleep      | 1      | X        | 1         | 1        | 1        | SW enabled<br>Forced PWM mode                |

### 6.3.2 Current limit protection

SW3 features high and low-side FET current limit. When current through the FETs go above their respective thresholds, the FET is turned-off to prevent further increase in current.

The protection is enabled in a cycle-by-cycle mode. Hitting either current limit sets the corresponding interrupt sense bits. If the faults persist for longer than the 8.0 ms debounce time, the interrupt status bit is set.

### 6.3.3 Output voltage setting in SW3

Output voltage of SW3 is programmable via OTP. During start-up (REGS\_DISABLE mode to RUN mode), contents of the OTP\_SW3\_VOLT[5:0] are mapped into the SW3\_VOLT[5:0], SW3\_STBY\_VOLT[5:0], and SW3\_SLP\_VOLT[5:0] register which set the regulator output voltage during Run, Standby, and Sleep modes respectively.

Values of SW3\_VOLT[5:0], SW3\_STBY\_VOLT[5:0], and SW3\_SLP\_VOLT[5:0] are read-only and cannot be written to.

Table 37. SW3 output voltage setting

| Set point | SW3_VOLT[3:0]<br>SW3_STBY_VOLT[3:0]<br>SW3_SLP_VOLT[3:0] | Output voltage (V) |
|-----------|--|--------------------|
| 0         | 0000   | 1.80               |
| 1         | 0001   | 1.90               |
| 2         | 0010   | 2.00               |
| 3         | 0011   | 2.10               |
| 4         | 0100   | 2.20               |
| 5         | 0101   | 2.30               |
| 6         | 0110   | 2.40               |
| 7         | 0111   | 2.50               |
| 8         | 1000   | 2.60               |
| 9         | 1001   | 2.70               |
| 10        | 1010   | 2.80               |
| 11        | 1011   | 2.90               |
| 12        | 1100   | 3.00               |
| 13        | 1101   | 3.10               |

Table 37. SW3 output voltage setting...continued

| Set point | SW3_VOLT[3:0]<br>SW3_STBY_VOLT[3:0]<br>SW3_SLP_VOLT[3:0] | Output voltage (V) |
|-----------|--|--------------------|
| 14        | 1110   | 3.20               |
| 15        | 1111   | 3.30               |

### 6.3.4 SW3 external components

Table 38 shows the combination of inductor and capacitor values that work with the SW3 regulator.

Table 38. Acceptable inductance and capacitance values

|                          |                |
|--------------------------|----------------|
| Inductance / capacitance | 2 x 10 $\mu$ F |
| 1.0 $\mu$ H              |                |

Table 39 and Table 40 show example inductor and capacitor part numbers respectively.

Table 39. Example inductor part numbers

| Part number | Size (mm) | 1.0 $\mu$ H            |
|-------------|-----------|------------------------|
| DFE201610E  | 2.0 x 1.6 | 57 m $\Omega$ , 3.6 A  |
| DFE201610P  | 2.0 x 1.6 | 70 m $\Omega$ , 3.1 A  |
| DFE201210U  | 2.0 x 1.2 | 95 m $\Omega$ , 3.1 A  |
| DFE160810S  | 1.6 x 0.8 | 120 m $\Omega$ , 2.0 A |
| DFE201208S  | 2.0 x 1.2 | 86 m $\Omega$ , 2.4 A  |
| DFE160808S  | 1.6 x 0.8 | 144 m $\Omega$ , 1.9 A |

Table 40. Example capacitor part numbers

| Murata part number | Description                          |
|--------------------|--------------------------------------|
| GRM188R60J106ME47D | 6.3 V, 10 $\mu$ F, 0402, X5R         |
| GRM188D70J106MA73  | 6.3 V, 10 $\mu$ F, 0402, X7R         |
| GRM188R61A106KE69  | 10 $\mu$ F 10 V 10 % X5R 0603 .95 mm |
| GRM219R61A106KE44  | 10 $\mu$ F 10 V 10 % X5R 0805 .95 mm |

## 7 Low dropout linear regulators, VREFDDR and VSNVS

### 7.1 General description

This section describes the LDO regulators provided by the PF1550. All regulators use the main band gap as reference.

When a regulator is disabled, the output is discharged by an internal pulldown.

VLDO1 and VLDO3 can be used as load switches by setting the corresponding Load Switch enable bit OTP\_VLDOx\_LS.

All general-purpose LDOs have short-circuit protection capability. The short-circuit protection (SCP) system includes debounced fault condition detection, regulator shutdown, and processor interrupt generation, to contain failures and minimize the chance of product damage. If a short-circuit condition is detected and REGSCPEN bit is set, the LDO is disabled by resetting its VLDOxEN bit, while at the same time, an interrupt VLDOxFAULTI is generated to flag the fault to the system processor. The VLDOxFAULTI interrupt is maskable through the VLDOxFAULTM mask bit.

The SCP feature is enabled by setting the REGSCPEN bit. If this bit is not set, the regulators are not automatically be disabled upon a short-circuit detection. However, the current limiter continues to limit the output current of the regulator. By default, the REGSCPEN is not set; therefore, at start-up none of the regulators are disabled if an overloaded condition occurs. A fault interrupt, VLDOxFAULTI is generated in an overload condition regardless of the state of the REGSCPEN bit. Each LDO features a Low-power mode where the quiescent current consumed is significantly lower than in regulator operation. In the Low-power mode, load current of each regulator is limited to 10 mA.

## 7.2 LDO1 and LDO3 detailed description

LDO1 and LDO3 are identical 300 mA low dropout (LDO) regulators that provide output voltage with high accuracy and are programmable through I<sup>2</sup>C interface bits. Being identical, reference is made to these LDOs as LDOy.

To support this wide input range, LDOy circuit incorporates a PMOS pass FET as well as an NMOS pass FET. The LDO uses the main band gap as its reference.

The regulator incorporates a soft-start circuit that ramps the internal reference in order to provide smooth output waveform with minimal overshooting during power-up. When the regulator is disabled, the output is discharged by an internal pulldown resistor. Additionally, the LDO can be used as a load switch by setting the corresponding Load Switch enable bit OTP\_LDOy\_LS.

Moreover, LDOy includes current limit protection with the option to turn off the LDO when an overcurrent is detected.

### 7.2.1 Features summary

- Input range LDO from 1.0 V to 4.5 V
- Programmable output voltage between 0.75 V to 1.5 V (uses NMOS) or 1.8 V and 3.3 V (uses PMOS) with 2 % accuracy
- Soft-start ramp control during power-up and discharge mechanism during power-down
- Low quiescent current (~ 2.5  $\mu$ A) at Low-power mode
- Current limit protection
- Configurable into load switch via OTP bit

7.2.2 LDOy block diagram

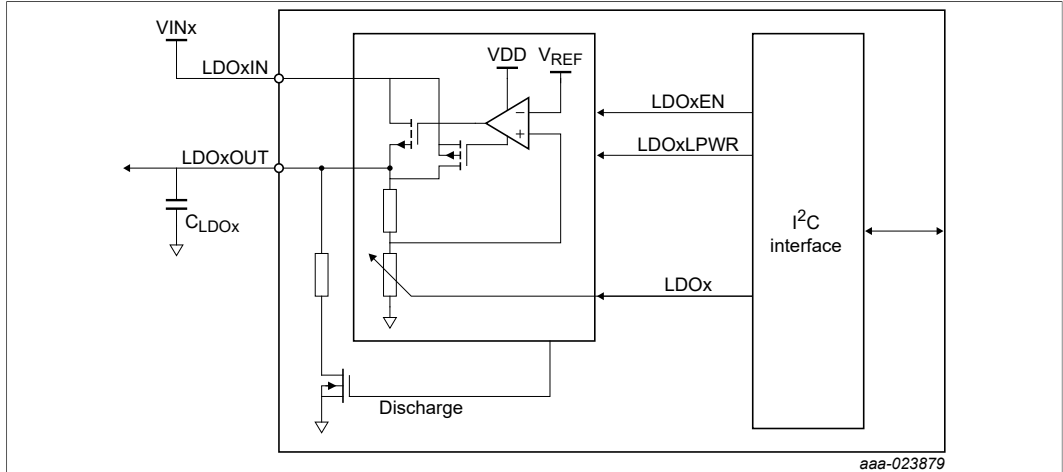


Figure 8. LDOy Block Diagram

7.2.3 LDOy external components

Use a 4.7 μF X5R/X7R capacitor from output to ground with a voltage rating at least 2 times the nominal output voltage.

7.2.4 LDOy output voltage setting

LDOy output voltage is programmed by setting the LDOy[4:0] bits as shown in [Table 41](#).

Table 41. LDOy output voltage setting

| Set point | LDOy[4:0] | LDOy output (V) |
|-----------|-----------|-----------------|
| 0         | 00000     | 0.7500          |
| 1         | 00001     | 0.8000          |
| 2         | 00010     | 0.8500          |
| 3         | 00011     | 0.9000          |
| 4         | 00100     | 0.9500          |
| 5         | 00101     | 1.0000          |
| 6         | 00110     | 1.0500          |
| 7         | 00111     | 1.1000          |
| 8         | 01000     | 1.1500          |
| 9         | 01001     | 1.2000          |
| 10        | 01010     | 1.2500          |
| 11        | 01011     | 1.3000          |
| 12        | 01100     | 1.3500          |
| 13        | 01101     | 1.4000          |
| 14        | 01110     | 1.4500          |
| 15        | 01111     | 1.5000          |
| 16        | 10000     | 1.8000          |
| 17        | 10001     | 1.9000          |

Table 41. LDOy output voltage setting...continued

| Set point | LDOy[4:0] | LDOy output (V) |
|-----------|-----------|-----------------|
| 18        | 10010     | 2.0000          |
| 19        | 10011     | 2.1000          |
| 20        | 10100     | 2.2000          |
| 21        | 10101     | 2.3000          |
| 22        | 10110     | 2.4000          |
| 23        | 10111     | 2.5000          |
| 24        | 11000     | 2.6000          |
| 25        | 11001     | 2.7000          |
| 26        | 11010     | 2.8000          |
| 27        | 11011     | 2.9000          |
| 28        | 11100     | 3.0000          |
| 29        | 11101     | 3.1000          |
| 30        | 11110     | 3.2000          |
| 31        | 11111     | 3.3000          |

### 7.2.5 LDOy low-power mode operation

LDOy can operate in a Low-power mode with reduced quiescent current. The Low-power mode can be activated in Standby and Sleep modes by setting the LDOy\_LPWR bit as shown in [Table 42](#). Maximum load current is limited to 10 mA when operating in the Low-power mode.

Table 42. LDOy control bits

| PMIC state        | LDOy_EN | LDOy_STBY | LDOy_OMODE | LDOy_LPWR | LDOy operating mode           |
|-------------------|---------|-----------|------------|-----------|-------------------------------|
| Run/Standby/Sleep | 0       | X         | X          | X         | LDO disabled                  |
| Run               | 1       | X         | X          | X         | LDO enabled                   |
| Standby           | 1       | 0         | X          | X         | LDO disabled                  |
| Standby           | 1       | 1         | X          | 0         | LDO enabled                   |
| Standby           | 1       | 1         | X          | 1         | LDO enabled in Low-power mode |
| Sleep             | 1       | X         | 0          | X         | LDO disabled                  |
| Sleep             | 1       | X         | 1          | 0         | LDO enabled                   |
| Sleep             | 1       | X         | 1          | 1         | LDO enabled in Low-power mode |

### 7.2.6 LDOy current limit protection

LDOy has built in current limit protection. When the load current exceeds the current limit threshold, the regulator goes from a voltage regulation mode to a current regulation mode that limits the available output current.

By setting the REGSCPEN bit, LDOy can be automatically disabled in the event of an overcurrent situation. In the event of an overcurrent, the LDO is disabled by resetting its LDOy\_EN bit, while at the same time an interrupt LDOy\_FAULTI is generated to flag the fault to the system processor. The LDOy\_FAULTI interrupt is maskable through the LDOy\_FAULTM mask bit.

If REGSCPEN is not set, the regulator will not be automatically disabled, but will instead enter the current limit mode. By default, the REGSCPEN is not set; therefore, at start-up none of the regulators will be disabled if an overloaded condition occurs. A fault interrupt, LDOy\_FAULTI, is generated in an overload condition regardless of the state of the REGSCPEN bit.

Current limit is not active when LDOy is operated in the load switch mode.

### 7.2.7 LDOy load switch mode

The LDOy path can be turned into a switch by setting the OTP\_LDOy\_LS bit. Setting this bit fully turns on the LDO pass FET. This could be useful if power domain partitioning or additional isolation is needed on the system application. Soft-start is engaged during start-up of the load switch to reduce inrush currents.

## 7.3 LDO2 detailed description

LDO2 is a 400 mA low dropout (LDO) regulator that provides output voltage with high accuracy and programmable through I<sup>2</sup>C/ interface bits. To support this wide input range, the LDO circuit incorporates a PMOS pass FET. The LDO uses the main bandgap as its reference.

The regulator incorporates a soft-start circuit that ramps the internal reference in order to provide smooth output waveform with minimal overshooting during power-up. When the regulator is disabled, the output is discharged by an internal pull-down resistor. The pulldown is also activated when RESETBMCU is low.

Moreover, LDO2 includes current limit protection with option to turn off the LDO when an overcurrent is detected.

### 7.3.1 LDO2 features summary

- Input range LDO from 2.8 V to 4.5 V
- Programmable output voltage between 1.8 V and 3.3 V with 2 % accuracy
- Soft-start ramp control during power-up and discharge mechanism during power-down
- Low quiescent current (~ 1.5  $\mu$ A) at Low-power mode
- Current limit protection

7.3.2 LDO2 block diagram

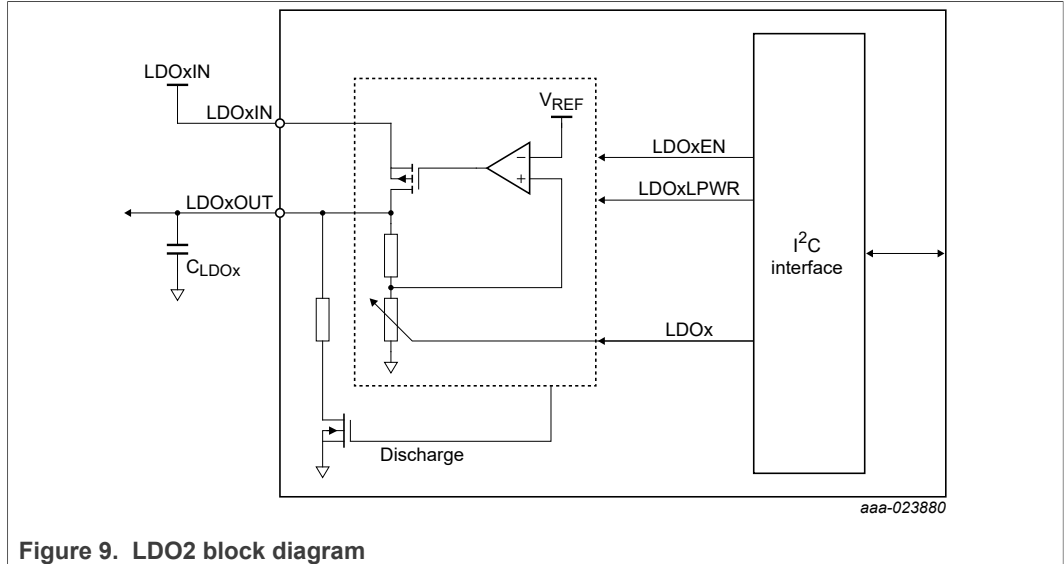


Figure 9. LDO2 block diagram

7.3.3 LDO2 external components

Use a 10  $\mu\text{F}$  X5R/X7R capacitor from output to ground with a voltage rating at least 2 times the nominal output voltage.

7.3.4 LDO2 output voltage setting

LDO2 output voltage is programmed by setting the VLDO2[3:0] bits as shown in [Table 43](#).

Table 43. LDO2 output voltage setting

| Set point | VLDO2[3:0] | VLDO2 output (V) |
|-----------|------------|------------------|
| 0         | 0000       | 1.80             |
| 1         | 0001       | 1.90             |
| 2         | 0010       | 2.00             |
| 3         | 0011       | 2.10             |
| 4         | 0100       | 2.20             |
| 5         | 0101       | 2.30             |
| 6         | 0110       | 2.40             |
| 7         | 0111       | 2.50             |
| 8         | 1000       | 2.60             |
| 9         | 1001       | 2.70             |
| 10        | 1010       | 2.80             |
| 11        | 1011       | 2.90             |
| 12        | 1100       | 3.00             |
| 13        | 1101       | 3.10             |
| 14        | 1110       | 3.20             |
| 15        | 1111       | 3.30             |

**7.3.5 LDO2 Low-power mode operation**

LDO2 can operate in a Low-power mode with reduced quiescent current. The Low-power mode can be activated in Standby and Sleep modes by setting the LDO2LPWR bit as shown in [Table 44](#). Maximum load current is limited to 10 mA when operating in the Low-power mode.

**Table 44. LDO2 control bits**

| PMIC state | LDO2EN | LDO2STBY | LDO2OMODE | LDO2LPWR | LDO2 operating mode           |
|------------|--------|----------|-----------|----------|-------------------------------|
| Run        | 0      | X        | X         | X        | LDO disabled                  |
| Run        | 1      | X        | X         | X        | LDO enabled                   |
| Standby    | 1      | 0        | X         | X        | LDO disabled                  |
| Standby    | 1      | 1        | X         | 0        | LDO enabled                   |
| Standby    | 1      | 1        | X         | 1        | LDO enabled in Low-power mode |
| Sleep      | 1      | X        | 0         | X        | LDO disabled                  |
| Sleep      | 1      | X        | 1         | 0        | LDO enabled                   |
| Sleep      | 1      | X        | 1         | 1        | LDO enabled in Low-power mode |

**7.3.6 LDO2 current limit protection**

LDO2 has built in current limit protection. When the load current exceeds the current limit threshold, the regulator goes from a voltage regulation mode to a current regulation mode limiting the available output current.

By setting the REGSCPEN bit, LDO2 can be automatically disabled in the event of an overcurrent situation. In the event of an overcurrent, the LDO is disabled by resetting its VLDO2EN bit, while at the same time an interrupt VLDO2FAULTI is generated to flag the fault to the system processor. The VLDO2FAULTI interrupt is maskable through the VLDO2FAULTM mask bit.

If REGSCPEN is not set, the regulator is not automatically disabled, but instead enters the current limit mode. By default, the REGSCPEN is not set; therefore, at start-up none of the regulators are disabled if an overloaded condition occurs. A fault interrupt, VLDO2FAULTI is generated in an overload condition regardless of the state of the REGSCPEN bit.

**7.4 VREFDDR reference**

VREFDDR is an internal NMOS half supply voltage follower capable of supplying up to 10 mA. The output voltage is at one half the input voltage. It is typically used as the reference voltage for DDR memories.

A filtered resistor divider is utilized to create a low frequency pole. This divider then utilizes a voltage follower to drive the load.



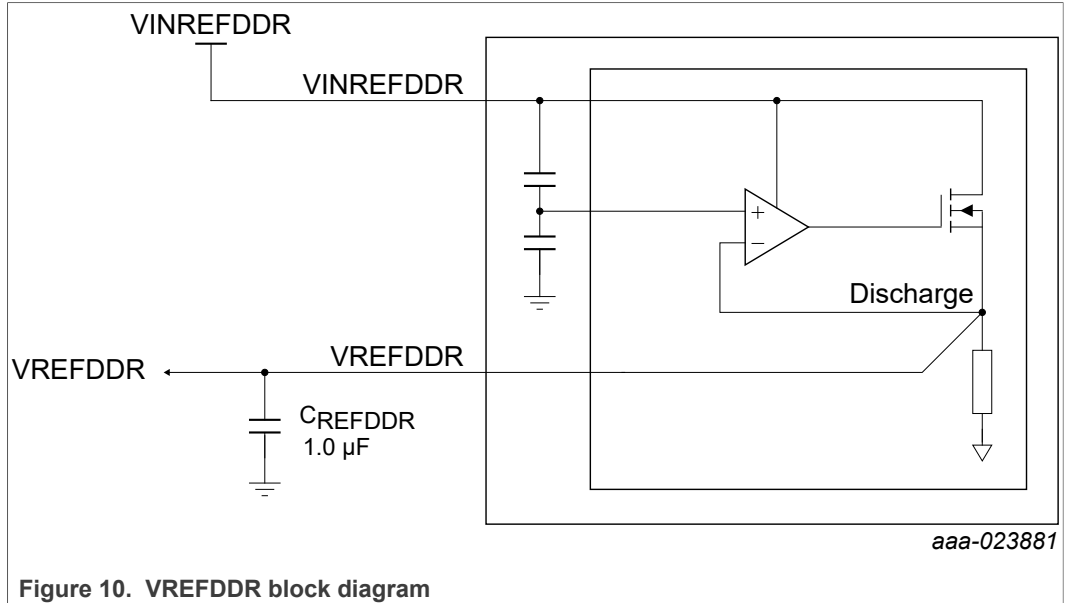


Figure 10. VREFDDR block diagram

7.5 VSNVS LDO/switch

VSNVS powers the low-power SNVS/RTC domain on the processor. It derives its power from either VSYS or a coin cell. When powered by both, VSYS powers VSNVS if VSYS > VTH threshold and LICELL powers VSNVS when VSYS < VTL. When powered by VSYS, VSNVS is an LDO capable of supplying 2.0 mA at 3.0 V. When powered by coin cell, VSNVS output tracks the coin cell voltage with a switch. In this case, the VSNVS voltage is simply the coin cell voltage minus the voltage drop across the switch.

Upon subsequent removal of VSYS, with the coin cell attached, VSNVS changes configuration from an LDO to a switch.

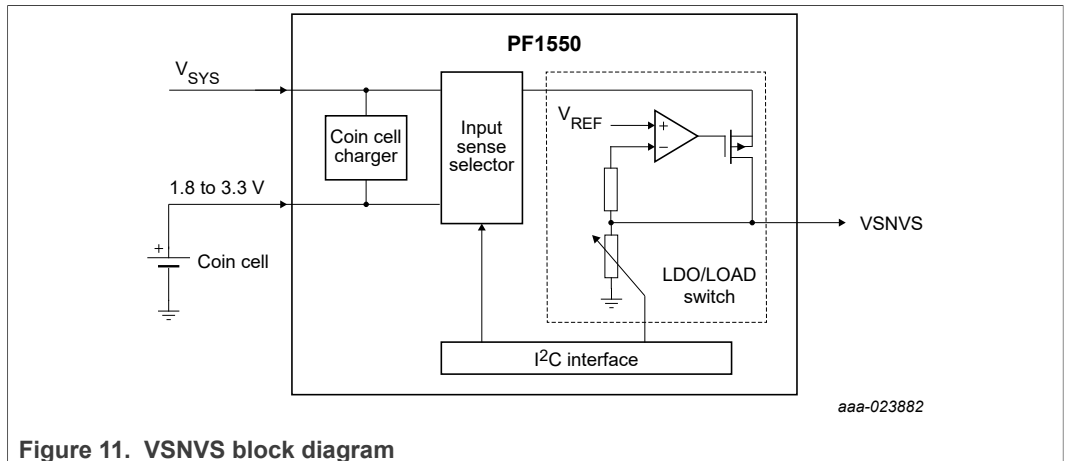


Figure 11. VSNVS block diagram

## 8 Battery charger description

The PF1550 charger is an integrated 1-cell Li+ charger with a single VBUS power input and dual path output. All power switches for charging and switching the load between battery and external power are included on chip. No external MOSFETs, blocking diodes or current sense resistors are required.

The VBUS input operates from 4.0 V to 6.5 V with up to 22 V overvoltage protection. The PF1550 internally blocks current from the battery and system back to the inputs when no input supply is present. Other features include precharge battery conditioning and timer, fast charge timer, battery overvoltage protection, charge status and fault outputs, battery thermistor monitor and thermal regulation.

Figure 12 shows a high level internal block diagram of the charger block. The PMIC is powered from the VSYS node in the PF1550.

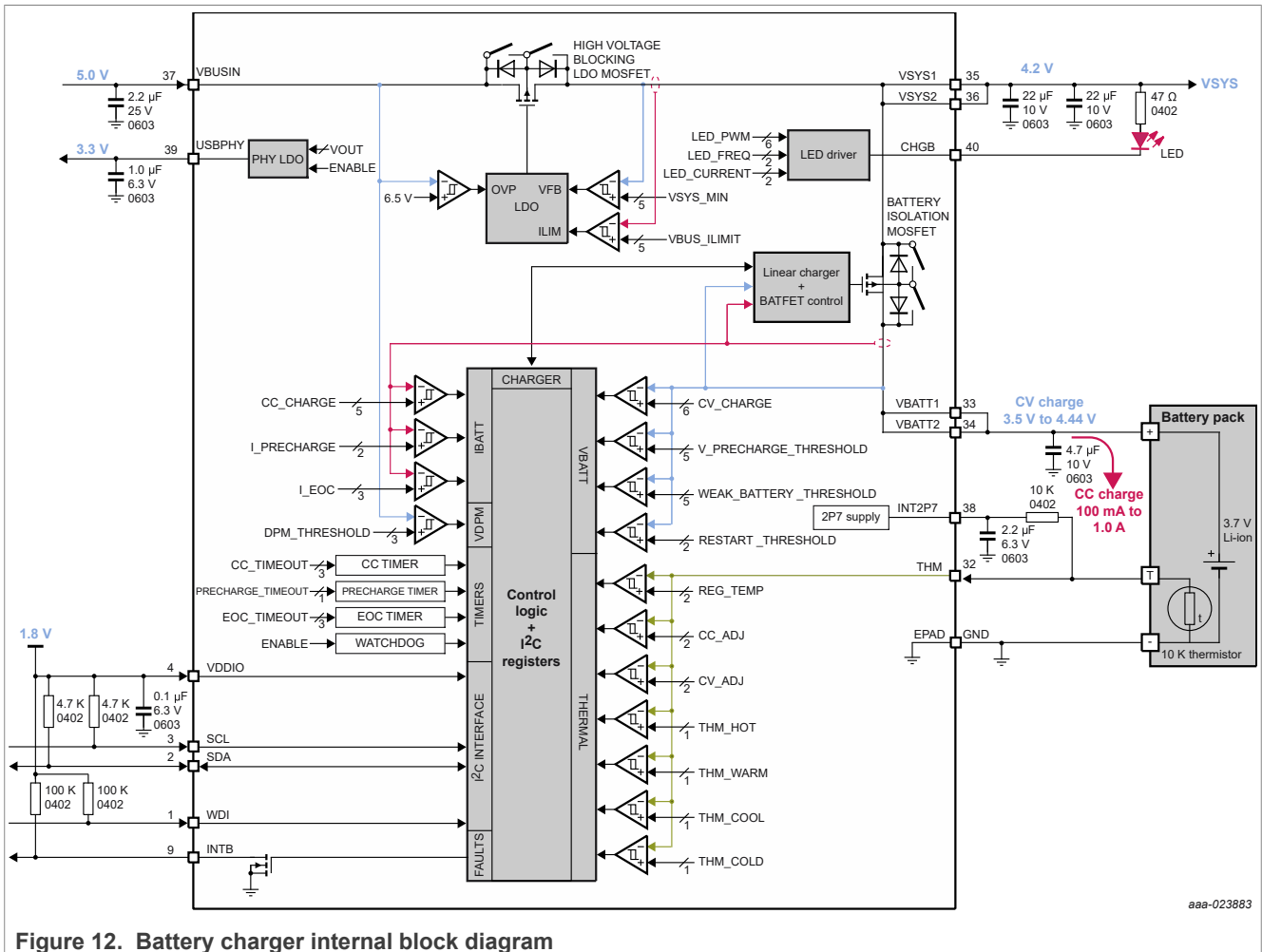
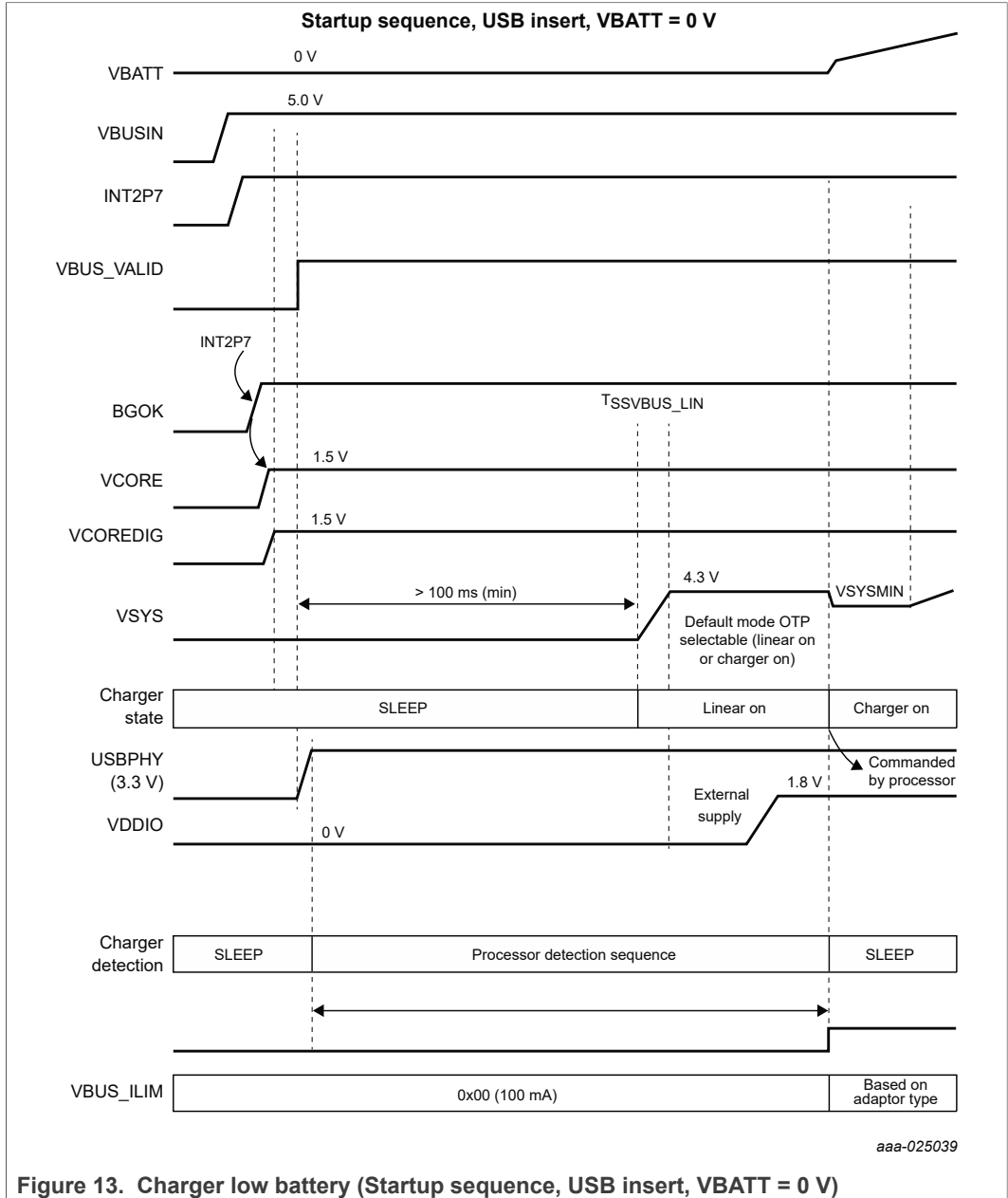


Figure 12. Battery charger internal block diagram

8.1 Operating modes and behavioral description



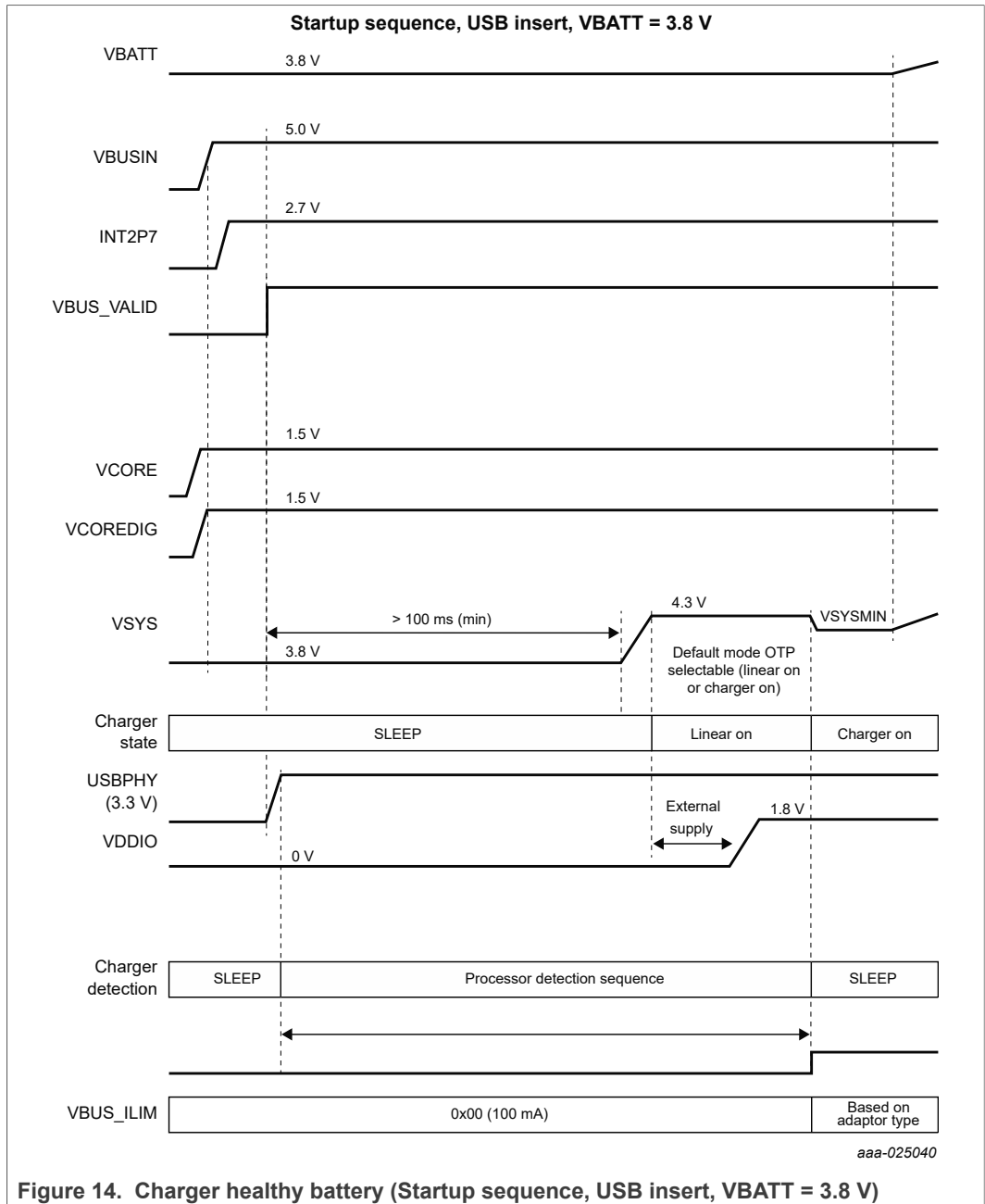


Figure 14. Charger healthy battery (Startup sequence, USB insert, VBATT = 3.8 V)

Table 45. Battery regulation voltage register

| BATTERY REGULATION VOLTAGE REGISTER |                     |    |       |    |    |    |    |    |
|-------------------------------------|---------------------|----|-------|----|----|----|----|----|
| ADDR:                               | 0x8F                |    |       |    |    |    |    |    |
|                                     | D7                  | D6 | D5    | D4 | D3 | D2 | D1 | D0 |
| BITS:                               | VSYS <sub>MIN</sub> |    | CHGCV |    |    |    |    |    |
| POR:                                | 0                   | 0  | 1     | 0  | 1  | 0  | 1  | 1  |
| ACCESS:                             |                     |    |       |    |    |    |    |    |

The VSYS<sub>MIN</sub> value is programmable via OTP as per the following table.

Table 46. VSYS<sub>MIN</sub> setting

| VSYS <sub>MIN</sub> [1:0] setting | VSYS <sub>MIN</sub> setting (V) |
|-----------------------------------|---------------------------------|
| 00                                | 3.5                             |
| 01                                | 3.7                             |
| 10                                | 4.3                             |
| 11                                | Reserved                        |

The VSYS<sub>MIN</sub> setting is the "normal" regulation point for VSYS. This parameter sets the point where the VSYS loop starts taking control and regulates the output. 4.3 V is the recommended setting to ensure that there is enough headroom before reaching UVDET (PMIC undervoltage detection, 2.9 V typ.).

Selecting lower settings causes the VSYS loop to start regulating, and reduces charging current to lower the VSYS threshold, thus reducing the headroom.

Typically, the VSYS output range can go as low as 300 mV below the VSYS<sub>MIN</sub> setting. Therefore, the recommended setting for the VSYS output should be between 4.0 V to 4.3 V.

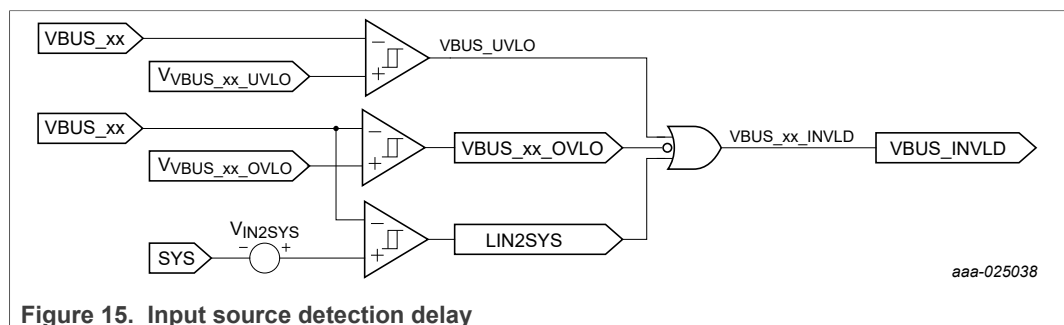
### 8.2 Charger input source detection

The charger input is compared with several voltage thresholds to determine if it is valid. A charger input must meet the following three characteristics to be valid:

- VBUS must be above V<sub>UVLO</sub> (4.2 V max.) to be valid
- VBUS must be below its overvoltage lockout threshold (V<sub>OVLO</sub> (6.0 V min.))
- VBUS must be above the system voltage by V<sub>IN2SYS</sub> (50 mV / 175 mV programmable via OTP)

The VBUS input generates an input interrupt when its status changes. The input status can be read with VBUS\_OK and VBUS\_SNS registers. Interrupts can be masked with VBUS\_M register.

**Note:** Adaptor removal is defined as VBUS < V<sub>UVLO</sub>.



### 8.3 Input self-discharge for reliable charger input interrupt

To ensure that a rapid removal and reinsertion of a charge source always results in a charger input interrupt, the charger input presents loading to the input capacitor to ensure that when the charge source is removed the input voltage decays below the UVLO threshold in a reasonable time.

A 2.2 μF input capacitance charged up to the maximum OVLO threshold (V<sub>OVLO</sub>) decays down to the minimum UVLO threshold within 300 ms (t<sub>INSD</sub>). The input self-discharge is

Power management integrated circuit (PMIC) for low power application processors

implemented by with a 30 kΩ resistor ( $R_{INSD}$ ) from VBUSIN input to ground. The input self-discharge resistor is deactivated in the low-power mode to reduce total quiescent current.

8.4 Charger state diagram

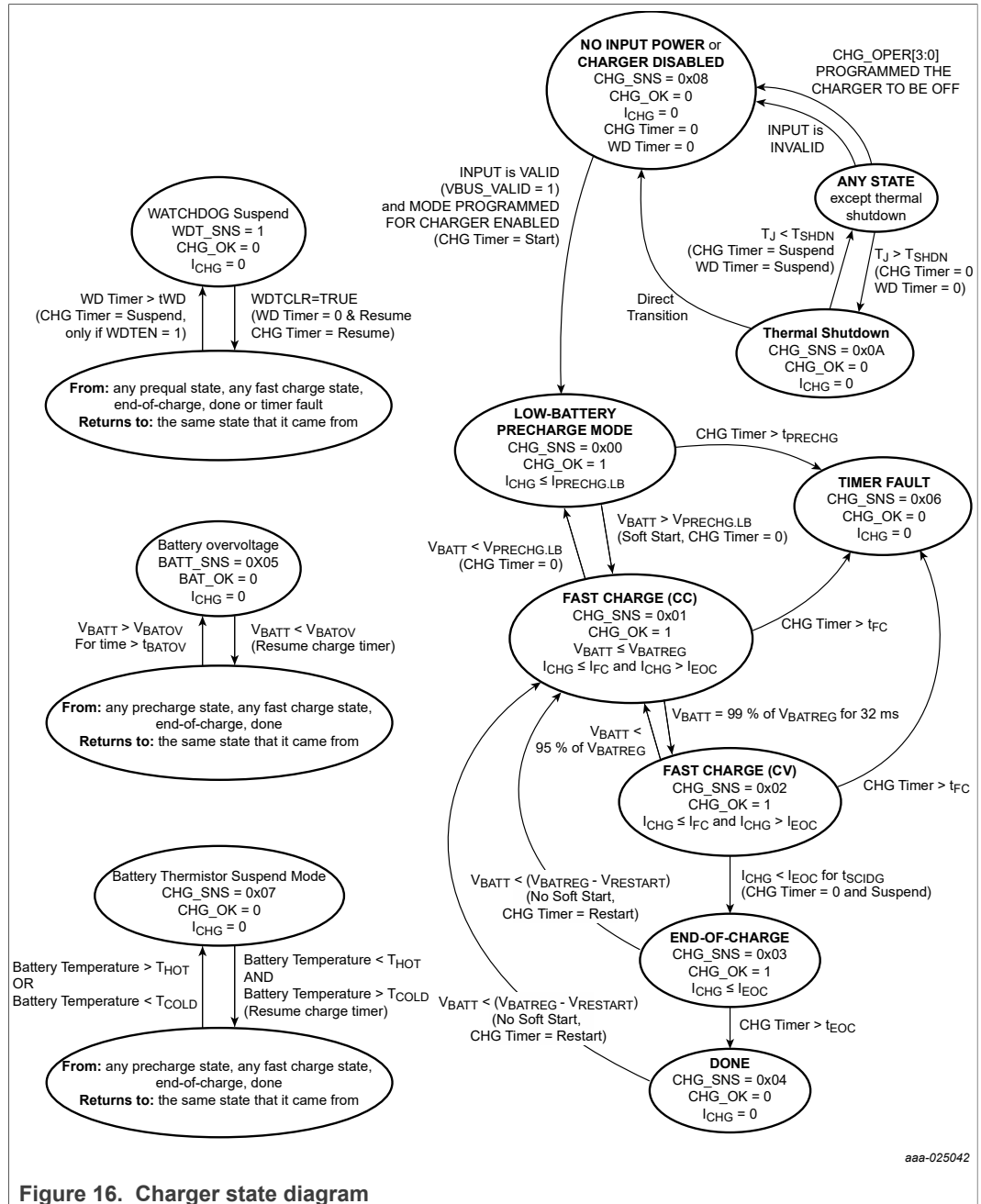


Figure 16. Charger state diagram

8.5 Charging profile

The battery is charged in three modes. Linear control of the BATFET has two subset modes (Trickle and Linear constant current mode).

- Linear control of BATFET
  - Trickle (programmable from 55 mA/100 mA based on battery voltage)
  - Linear constant current mode from 100 mA to 1000 mA
- Constant current (CC)
- Constant voltage (CV)

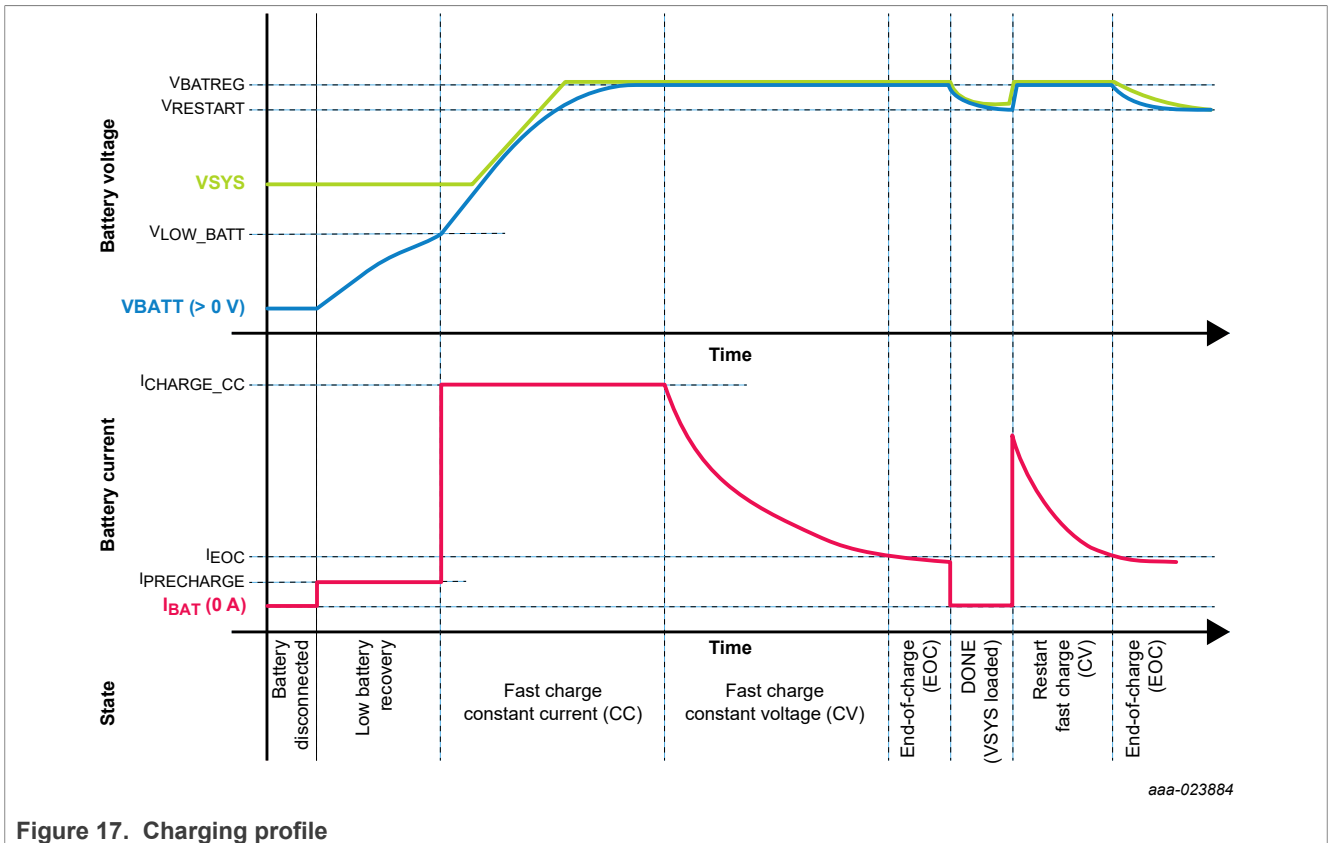


Figure 17. Charging profile

### 8.5.1 Precharge state

The precharge state is entered when the main-battery voltage is less than  $V_{PRECHG.LB}$  which is precharge (low battery) charging voltage threshold set by  $PRECHGLB\_THRS[6:5]$ . After being in this state for  $t_{SCIDG}$ , a  $CHG\_I$  interrupt is generated,  $CHG\_OK$  bit is set, and  $CHG\_SNS$  register is set to 0x00. In the precharge state, the charge current into the battery is equal or lower than  $I_{PRECHG.LB}$  (45 mA typ).

Following events causes the state machine to exit this state:

1. When the main battery voltage rises above  $V_{PRECHG.LB}$ , the charger enters the next state in the charging cycle: "Fast-Charge Constant Current" state.
2. If the battery charger remains in this state for longer than  $t_{PRECHG}$ , the charger state machine transitions to the "Timer Fault" state.
3. If the watchdog timer is not serviced, the charger state machine transitions to the "Watchdog Suspend" state.

**Note:** The precharge state works with battery voltages down to 0 V.

The low 0 V operation typically allows this battery charger to revive batteries that have an "open" internal pack protector. Typically, the pack internal protection circuit isolates the Lithium-ion cell if the battery pack has detected an overcurrent, undervoltage, or

overvoltage. When a battery with an “open” internal pack protector is used with this charger, the low-battery precharge mode forces a small current into the 0 V battery. This current raises the pack’s terminal voltage above the pack revive threshold, causing the internal pack protection switch to reconnect the Lithium-ion cell.

A normal battery pack typically could stay in the low-battery precharge state for several minutes. If a battery pack stays in low-battery precharge for longer than  $t_{PRECHG}$ , it may be defective.

### 8.5.2 Fast charge constant current state

The fast-charge constant current (CC) state occurs when the main-battery voltage is greater than the precharge threshold and less than the battery regulation threshold ( $V_{PRECHG.LB} < V_{BATT} < V_{CHGCV}$ ). In the fast-charge CC state, the current into the battery is less than or equal to  $I_{FC}$  (excluding accuracy  $I_{FCACC}$ ).

Charge current may be less than  $I_{FC}$  for any of the following reasons:

- The charger input is in input current limit
- The charger input voltage is low
- The system load is consuming adapter current. When the voltage drop between VBUS and VSYS is below the VIN2SYS threshold, charging stops and charge current drops down to 0 A.

**Note:** The system load always gets priority over the battery charge current.

The system load always gets priority over the battery charge current.

The following events cause the state machine to exit this state:

- When the main battery voltage rises above  $V_{BATREG}$ , the charger enters the next state in the charging cycle: "Fast Charge (CV)".
- If the battery charger remains in this state for longer than  $t_{FC}$ , the charger state machine transitions to the "Timer Fault" state.
- If the watchdog timer is not serviced, the charger state machine transitions to the "Watchdog Suspend" state.

The battery charger dissipates the most power in the fast-charge constant current state. This power dissipation causes the internal die temperature to rise. If the die temperature exceeds the threshold set by REGTEMP[1:0],  $I_{FC}$  is reduced. This is covered in [Section 8.8.1 "Thermal regulation"](#).

Table 47. Charger current control register

| CHARGER CURRENT CONTROL REGISTER |          |                    |    |        |    |    |    |    |
|----------------------------------|----------|--------------------|----|--------|----|----|----|----|
| ADDR:                            | 0x8E     |                    |    |        |    |    |    |    |
|                                  | D7       | D6                 | D5 | D4     | D3 | D2 | D1 | D0 |
| BITS:                            | RESERVED | PRECHGLB_THRESHOLD |    | CHG_CC |    |    |    |    |
| POR:                             | 0        | 0                  | 0  | 0      | 0  | 0  | 0  | 0  |
| ACCESS:                          | —        |                    |    |        |    |    |    |    |

The fast charge current is programmable via I<sup>2</sup>C using the bits in [Table 48](#).

Table 48. Constant current charge settings

| CHG_CC[4:0] setting | $I_{FC}$ current (mA) |
|---------------------|-----------------------|
| 00000               | 100                   |
| 00001               | 150                   |



Table 48. Constant current charge settings...continued

| CHG_CC[4:0] setting | I <sub>FC</sub> current (mA) |
|---------------------|------------------------------|
| 00010               | 200                          |
| 00011               | 250                          |
| 00100               | 300                          |
| 00101               | 350                          |
| 00110               | 400                          |
| 00111               | 450                          |
| 01000               | 500                          |
| 01001               | 550                          |
| 01010               | 600                          |
| 01011               | 650                          |
| 01100               | 700                          |
| 01101               | 750                          |
| 01110               | 800                          |
| 01111               | 850                          |
| 10000               | 900                          |
| 10001               | 950                          |
| 10010               | 1000                         |
| 10011               | 1050 (Reserved)              |
| 10100               | 1100 (Reserved)              |
| 10101               | 1150 (Reserved)              |
| 10110               | 1200 (Reserved)              |
| 10111               | 1250 (Reserved)              |
| 11000               | 1300 (Reserved)              |
| 11001               | 1350 (Reserved)              |
| 11010               | 1400 (Reserved)              |
| 11011               | 1450 (Reserved)              |
| 11100               | 1500 (Reserved)              |
| 11101               | 1550 (Reserved)              |
| 11110               | 1600 (Reserved)              |
| 11111               | 1650 (Reserved)              |

To insure proper operation, the maximum CC current selected must be one setting below input current limit (in charger normal mode).

In normal mode, when  $V_{SYS} < V_{SYSMINLOOPx}$  ( $V_{SYSMINLOOPx} = V_{SYSMINx} - 300$  mV), digital logic automatically controls maximum CC current (one setting lower than charger input current limit I<sub>LIM</sub> setting). If 100 mA input current limit is selected, the charge current is forced to 50 mA to allow enough current for V<sub>SYS</sub>.

The Charger Low-power mode (CLPM) is entered automatically when the 50 mA input current limit setting, or lower, is selected and when V<sub>BATT</sub> > 2.8 V.

8.5.3 Fast charge constant voltage state

The fast-charge constant voltage (CV) state occurs when the battery voltage rises to  $V_{BATREG}$  from the fast-charge CC state.

In the fast-charge CV state, the battery charger maintains  $V_{BATREG}$  across the battery and the charge current is less than or equal to  $I_{FC}$ . Charger current decreases exponentially in this state as the battery becomes fully charged.

The BATFET control circuitry may reduce the charge current for any of the following reasons:

- The charger input is in input current limit
- The charger input voltage is low
- The system load is consuming adapter current. The system load always gets priority over the battery charge current.

The following events cause the state machine to exit this state:

- When the charger current is below  $I_{EOC}$  for  $t_{SCIDG}$ , the charger enters the next state in the charging cycle: “End-of-Charge”.
- If the battery charger remains in this state for longer than  $t_{FC}$ , the charger state machine transitions to the “Timer Fault” state.
- If the watchdog timer is not serviced, the charger state machine transitions to the “Watchdog Suspend” state.

**Note:** During the CC to CV transition, the charge current can be momentarily higher than  $I_{FC}$ . This current is safe and does not result in over charging the battery. After this transition, the charge current decays and is less than or equal to  $I_{FC}$ .

Table 49. Battery regulation voltage register

| BATTERY REGULATION VOLTAGE REGISTER |         |    |       |    |    |    |    |    |
|-------------------------------------|---------|----|-------|----|----|----|----|----|
| ADDR:                               | 0x8F    |    |       |    |    |    |    |    |
|                                     | D7      | D6 | D5    | D4 | D3 | D2 | D1 | D0 |
| BITS:                               | VSYSMIN |    | CHGCV |    |    |    |    |    |
| POR:                                | 0       | 0  | 1     | 0  | 1  | 0  | 1  | 1  |
| ACCESS:                             |         |    |       |    |    |    |    |    |

The CV setting is programmable via I<sup>2</sup>C using the bits in [Table 50](#).

Table 50. CV settings

| CHGCV[5:0] | Output voltage (V) |
|------------|--------------------|
| 000000     | 3.50               |
| 000001     | 3.50               |
| 000010     | 3.50               |
| 000011     | 3.50               |
| 000100     | 3.50               |
| 000101     | 3.50               |
| 000110     | 3.50               |
| 000111     | 3.50               |
| 001000     | 3.50               |
| 001001     | 3.52               |
| 001010     | 3.54               |

## Power management integrated circuit (PMIC) for low power application processors

Table 50. CV settings...continued

| CHGCV[5:0]            | Output voltage (V) |
|-----------------------|--------------------|
| 001011                | 3.56               |
| 001100                | 3.58               |
| 001101                | 3.60               |
| 001110                | 3.62               |
| 001111                | 3.64               |
| 010000                | 3.66               |
| 010001                | 3.68               |
| 010010                | 3.70               |
| 010011                | 3.72               |
| 010100                | 3.74               |
| 010101                | 3.76               |
| 010110                | 3.78               |
| 010111                | 3.80               |
| 011000                | 3.82               |
| 011001                | 3.84               |
| 011010                | 3.86               |
| 011011                | 3.88               |
| 011100                | 3.90               |
| 011101                | 3.92               |
| 011110                | 3.94               |
| 011111                | 3.96               |
| 100000                | 3.98               |
| 100001                | 4.00               |
| 100010                | 4.02               |
| 100011                | 4.04               |
| 100100                | 4.06               |
| 100101                | 4.08               |
| 100110                | 4.10               |
| 100111                | 4.12               |
| 101000                | 4.14               |
| 101001                | 4.16               |
| 101010                | 4.18               |
| 101011 <sup>[1]</sup> | 4.20               |
| 101100                | 4.22               |
| 101101                | 4.24               |
| 101110                | 4.26               |
| 101111                | 4.28               |
| 110000                | 4.30               |
| 110001                | 4.32               |
| 110010                | 4.34               |

Table 50. CV settings...continued

| CHGCV[5:0] | Output voltage (V) |
|------------|--------------------|
| 110011     | 4.36               |
| 110100     | 4.38               |
| 110101     | 4.40               |
| 110110     | 4.42               |
| 110111     | 4.44               |
| 111000     | 4.44               |
| 111001     | 4.44               |
| 111010     | 4.44               |
| 111011     | 4.44               |
| 111100     | 4.44               |
| 111101     | 4.44               |
| 111110     | 4.44               |
| 111111     | 4.44               |

[1] Default setting

Table 51. Charger timers register

| CHARGER TIMERS REGISTER |         |          |         |    |    |          |    |    |
|-------------------------|---------|----------|---------|----|----|----------|----|----|
| ADDR:                   | 0x8A    |          |         |    |    |          |    |    |
|                         | D7      | D6       | D5      | D4 | D3 | D2       | D1 | D0 |
| BITS:                   | TPRECHG | RESERVED | EOCTIME |    |    | FCHGTIME |    |    |
| POR:                    | 0       | 0        | 0       | 0  | 1  | 0        | 1  | 0  |
| ACCESS:                 |         | —        |         |    |    |          |    |    |

The fast charge timer is programmable via I<sup>2</sup>C through the bits in [Table 52](#):

Table 52. Fast charge timer settings

| FCHGTIME[2:0] setting | Fast charge timer duration (Hours) |
|-----------------------|------------------------------------|
| 000                   | Disable                            |
| 001                   | 2                                  |
| 010                   | 4                                  |
| 011                   | 6                                  |
| 100                   | 8                                  |
| 101                   | 10                                 |
| 110                   | 12                                 |
| 111                   | 14                                 |

The fast charge timer fault can occur in the fast charge mode, the system draws current such that the charger state machine is technically in the "fast charge" state but the battery is not really in "fast charge". This can happen if the current available from the charger input is not sufficient to provide system load as well as charge the battery. It is up to the processor to react to the timer fault accordingly. It can decide to restart charging (via CHG\_OPER), or accept it as an actual timer fault.

8.5.4 End-of-charge state

The end-of-charge state can only be entered from the fast-charge CV state when the charger current decreases below  $I_{EOC}$  for  $t_{SCIDG}$ . After being in the top-off state for  $t_{SCIDG} + t_{DB(EOC)}$ , an interrupt is generated, CHG\_OK is set and CHG\_SNS = 0x03. In the end-of-charge state, the battery charger tries to maintain  $V_{CHGCV}$  across the battery and typically the charge current is less than or equal to  $I_{EOC}$ .

The BATFET control circuitry may reduce the charge current lower than the battery may otherwise consume for any of the following reasons:

- The charger input is in input current limit
- The charger input voltage is low
- The system load is consuming adapter current. The system load always gets priority over the battery charge current.

The following events cause the state machine to exit this state:

- After being in this state for the end-of-charge time ( $t_{EOC}$ ), the charger enters the next state in the charging cycle: "DONE".
- If  $V_{BATT} < V_{BATREG} - V_{RESTART}$ , the charger goes back to the "FAST CHARGE (CC)" state.
- If the watchdog timer is not serviced, the charger state machine transitions to the "Watchdog Suspend" state.

Table 53. Charger EOC configuration register

| CHARGER EOC CONFIGURATION REGISTER |          |      |    |    |          |              |             |    |
|------------------------------------|----------|------|----|----|----------|--------------|-------------|----|
| ADDR:                              | 0x8D     |      |    |    |          |              |             |    |
|                                    | D7       | D6   | D5 | D4 | D3       | D2           | D1          | D0 |
| BITS:                              | EOC_MODE | IEOC |    |    | EOC_EXIT | FRC_BATT_ISO | CHG_RESTART |    |
| POR:                               | 0        | 1    | 0  | 0  | 0        | 0            | 0           | 1  |
| ACCESS:                            |          |      |    |    |          |              |             |    |

The EOC current value is programmable per the following table:

Table 54. EOC current thresholds

| IEOC[2:0] setting | $I_{EOC}$ current (mA) |
|-------------------|------------------------|
| 000               | 5                      |
| 001               | 10                     |
| 010               | 20                     |
| 011               | 30                     |
| 100               | 50                     |
| 101               | Reserved               |
| 110               | Reserved               |
| 111               | Reserved               |

Table 55. Charger timers register

| CHARGER TIMERS REGISTER |         |          |         |    |    |          |    |    |
|-------------------------|---------|----------|---------|----|----|----------|----|----|
| ADDR:                   | 0x8A    |          |         |    |    |          |    |    |
|                         | D7      | D6       | D5      | D4 | D3 | D2       | D1 | D0 |
| BITS:                   | TPRECHG | RESERVED | EOCTIME |    |    | FCHGTIME |    |    |
| POR:                    | 0       | 0        | 0       | 0  | 1  | 0        | 1  | 0  |
| ACCESS:                 |         | —        |         |    |    |          |    |    |

The EOC State timer is programmable per the following table:

Table 56. EOC state timer settings

| EOCTIME[2:0] setting | EOC timer duration (Minutes) |
|----------------------|------------------------------|
| 000                  | 0 (16 seconds debounce)      |
| 001                  | 10                           |
| 010                  | 20                           |
| 011                  | 30                           |
| 100                  | 40                           |
| 101                  | 50                           |
| 110                  | 60                           |
| 111                  | 70                           |

### 8.5.5 Done state

The battery charger enters its done state after the charger has been in the end-of-charge state for  $t_{EOC}$ . After being in this state for  $t_{SCIDG}$ , a CHG\_I interrupt is generated, CHG\_OK is cleared and CHG\_SNS = 0x04.

The following events cause the state machine to exit this state:

- If  $V_{BATT} < V_{BATREG} - V_{RESTART}$ , the charger goes back to the "FAST CHARGE (CC)" state
- If the watchdog timer is not serviced, the charger state machine transitions to the "Watchdog Suspend" state

In the done state, the charge current into the battery ( $I_{CHG}$ ) is 0 A. In the done state, the charger presents a very light load to the battery. If the system load presented to the battery is low ( $<<100 \mu A$ ), then a typical system can remain in the done state for many days.

If left in the done state long enough, the battery voltage decays below the restart threshold ( $V_{RESTART}$ ) and the charger state machine transitions back into the fast-charge CC state. There is no soft start (di/dt limiting) during the done state to fast-charge state transition. In the done state, the BATFET is fully closed. The correct way to trigger restart feature is to pull loading from VSYS, in order to discharge VBATT.

## 8.6 Battery supplement mode

The Battery supplement mode is a powerful feature of the PF1550 charger, allowing the device to temporarily suspend charging, and draw supplemental current from the battery to maintain power to the system when the load demands more current than the VBUS supply can deliver. This provides more flexibility when architecting their system. The

**Power management integrated circuit (PMIC) for low power application processors**

battery capacity can be chosen to handle periods of peak loading, which may be currents higher than supported by the VBUS supply.

If the system load current exceeds the VBUS input current limit, the VSYS supply current is no longer able to support the load demand and the VSYS output voltage decreases. When VSYS falls below VBATT, the PF1550 suspends charging and enters the Battery supplement mode. In this mode, the battery provides current to support the VSYS load demand.

If the load demand on VSYS now decreases, the VSYS output voltage recovers, and begins to rise. When VSYS rises above VBATT, the PF1550 exits the Battery supplement mode and resumes charging the battery in the CC charging phase.

When VBATT decreases lower than the restart threshold, the part enters CC state from DONE. Then if the loading on VSYS decreases and  $VSYS > VBATT$ , charger starts to charge from the CC state.

## 8.7 Power path features

### 8.7.1 VSYS regulation

In the case of a low battery, the LDO path regulates VSYS to either 3.5 V, 3.7 V, or 4.3 V. This allows the system to power up with a low battery while the battery gets charged. See [Table 46](#).

### 8.7.2 Input current limit

The default settings of the VBUSIN and CHG\_OPER control bits are such that when a charge source is applied to VBUSIN, the PF1550 turns on its linear regulator in LINEAR-ON or CHARGE-ON (via OTP), and limits the charge current to 100 mA (via OTP).

See [Section 12 "Register map"](#) for the default values for specific registers/bits.

The input current limit works by monitoring the current being drawn from the input and comparing it to the programmed current limit. The current limit should be set based on the current-handling capability of the input adapter. Generally, this limit is chosen to optimally fulfill the system-power requirements while achieving a satisfactory charging time for the batteries. If the adapter current exceeds its output capability, the charger responds by reducing the charger current, thus keeping the current drawn from the adapter within its capability.

There is a precision current sense circuitry that monitors the input current whenever internal INT\_2P7 is asserted. The input current limit logic signal is used to reduce quiescent current when the charger is not plugged in by turning off the current sense amplifier. The input current limit should include current consumed by the charger block.

There is a low-power mode for the linear regulator where it consumes less than 2.5 mA bias current at 25 °C. This is useful for the 10 mA to 50 mA input current limit settings.

The input current limit also includes a second control which is voltage-based. When it drops below the desired input, it generates an interrupt to decrease the fast-charge current. This is further covered in input voltage regulation mode.

Table 57. VBUS input current limit register

| VBUS INPUT CURRENT LIMIT REGISTER |               |     |     |     |     |          |    |    |
|-----------------------------------|---------------|-----|-----|-----|-----|----------|----|----|
| ADDR:                             | 0x94          |     |     |     |     |          |    |    |
|                                   | D7            | D6  | D5  | D4  | D3  | D2       | D1 | D0 |
| BITS:                             | VBUS_LIN_ILIM |     |     |     |     | RESERVED |    |    |
| POR:                              | 0             | 1   | 1   | 0   | 1   | 0        | 0  | 0  |
| ACCESS:                           | R/W           | R/W | R/W | R/W | R/W | —        |    |    |

The table below shows valid input current limit settings.

Table 58. Input current limit settings

| VBUS_LIN_ILIM[4:0] setting | VBUS input current limit (mA) |
|----------------------------|-------------------------------|
| 00000                      | 10                            |
| 00001                      | 15                            |
| 00010                      | 20                            |
| 00011                      | 25                            |
| 00100                      | 30                            |
| 00101                      | 35                            |
| 00110                      | 40                            |
| 00111                      | 45                            |
| 01000                      | 50                            |
| 01001                      | 100                           |
| 01010                      | 150                           |
| 01011                      | 200                           |
| 01100                      | 300                           |
| 01101                      | 400                           |
| 01110                      | 500                           |
| 01111                      | 600                           |
| 10000                      | 700                           |
| 10001                      | 800                           |
| 10010                      | 900                           |
| 10011                      | 1000                          |
| 10100                      | 1500                          |
| 10101 to 11101             | Reserved                      |
| 11110                      | Reserved                      |
| 11111                      | Reserved                      |

### 8.7.3 Battery thermistor

Thermistor is not supported when there is no valid charger inserted. A bank of comparators monitors the thermistor to provide battery temperature information for the battery charger. The comparator thresholds are based on the recommended NTC NCP15XH103F03RC (10 K) from Murata or equivalent. Each comparator has 3 °C hysteresis. There are I<sup>2</sup>C selections for the T<sub>HOT</sub> and T<sub>COLD</sub> temperature threshold.



8.7.4 BATFET soft start

When the battery is first plugged into the PF1550, BATFET features an internal soft-start that prevents high inrush currents into the capacitors at the VSYS node.

**Note:** This feature must be tested during lab validation for functionality. It is not required to cover this in production as there are no critical pass/fail criteria for this feature.

8.8 Thermal

8.8.1 Thermal regulation

Thermal regulation maximizes the battery charge current while regulating the PF1550 junction temperature. The target charge current reduction is achieved with a digital control loop. As shown in the following figure, when the die temperature exceeds the value programmed by REGTEMP[1:0], a thermal limiting circuit reduces the battery charger's target current.

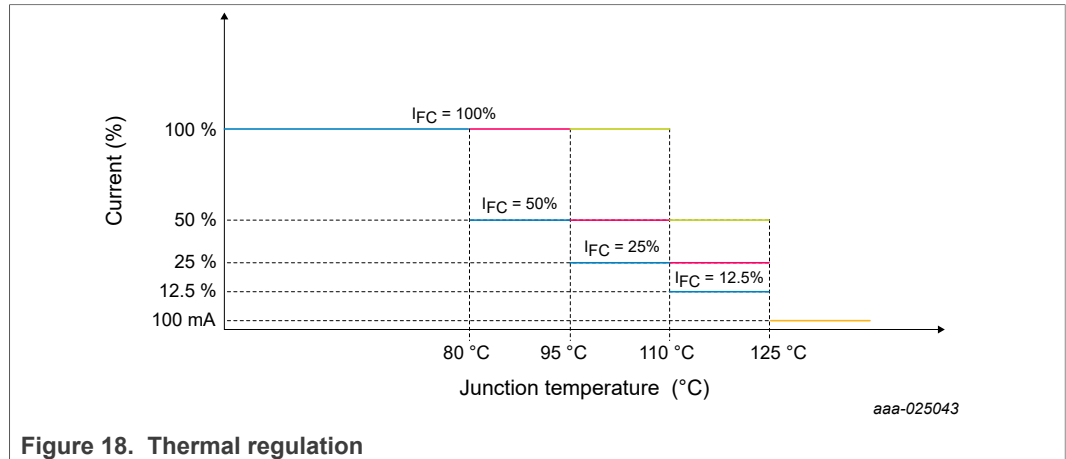


Table 59. Thermal regulation

| REGTEMP[1:0] | 50 % CC Thermal regulation set point (T <sub>JREG0</sub> ) | 25 % CC Thermal regulation set point (T <sub>JREG1</sub> ) | 12.5 % CC Thermal regulation set point (T <sub>JREG2</sub> ) | 100 mA CC Thermal regulation set point (T <sub>JREG3</sub> ) |
|--------------|--|--|--|--|
| 00           | 80 °C  | 95 °C  | 110 °C   | 125 °C   |
| 01           | 95 °C  | 110 °C   | N/A  | 125 °C   |
| 10           | 110 °C   | N/A  | N/A  | 125 °C   |
| 11           | N/A  | N/A  | N/A  | 125 °C   |

As shown in the following figure, a hysteresis mechanism is implemented.

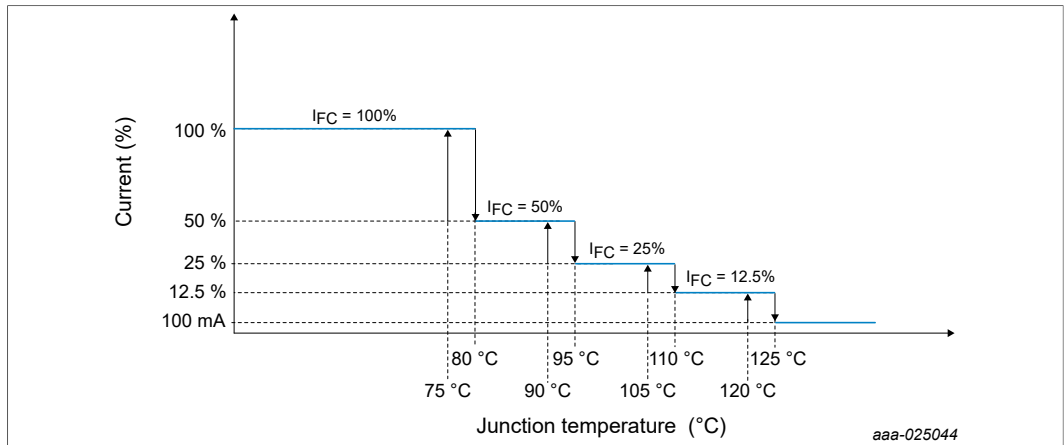


Figure 19. Thermal regulation (Current versus Temp, example with REGTEMP[1:0] = 00 and hysteresis

When thermal regulation changes state, a THM\_I interrupt is generated. This is to allow time for the system’s microprocessor to read the status of the thermal regulation loop via the TREG\_SNS status bit.

This following diagram shows an example of the thermal regulation over time. The green arrows represent when the CHG\_I interrupt is generated.

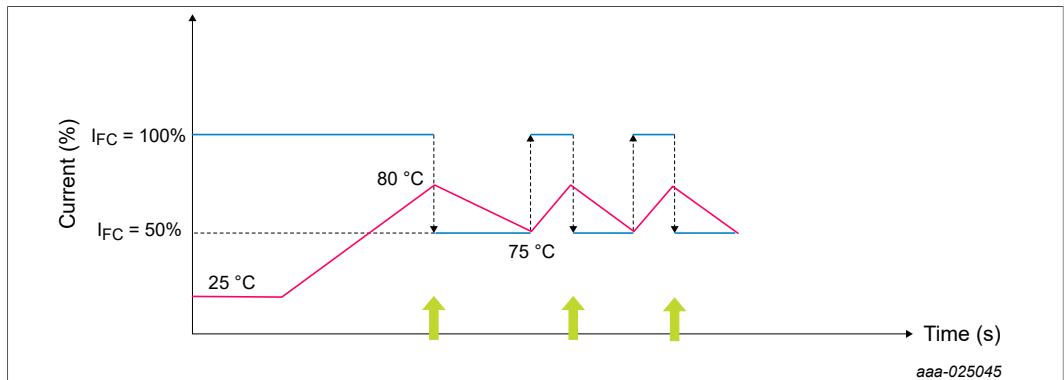


Figure 20. Thermal regulation (Current, Temp versus Time, example with REGTEMP[1:0] = 00 and hysteresis

The thermal regulation does not affect the CHG\_OK bit (only information contained within CHG\_SNS affects CHG\_OK).

8.8.2 Thermal foldback

The thermal foldback function reduces max. charging current which goes into the battery when the charger junction temperature ( $T_{JREGx}$ ) reaches a pre-defined temperature set by REGTEMP[1:0]. Thermal foldback loop being active is not considered to be an abnormal condition.

After the temperature reaches  $T_{JREG0}$ , the charging current is reduced to 50 % of the final CC charging current value.

After the charger temperature rises above  $T_{JREG0}$ , if the charger temperature falls back below  $T_{JREG0} - 5\text{ }^{\circ}\text{C}$ , charging current reverts to 100 % of the final CC charging current value.

Power management integrated circuit (PMIC) for low power application processors

If the charger temperature rises and reaches  $T_{JREG1}$  but below 125 °C, charging current is reduced to 25 % of the final CC charging current value.

After the charger temperature rises above  $T_{JREG1}$ , if the charger temperature falls back below  $T_{JREG1} - 5$  °C, charging current reverts to 50 % of the final CC charging current value.

If the charger temperature rises and reaches  $T_{JREG2}$  but below 125 °C, charging current is reduced to 12.5 % of the final CC charging current value.

After the charger temperature rises above  $T_{JREG2}$ , if the charger temperature falls back below  $T_{JREG2} - 5$  °C, charging current reverts to 25 % of the final CC charging current value.

If the charger temperature reaches 125 °C, charging current is reduced to 100 mA.

After the charger temperature rises above 125 °C, if the charger temperature falls back below 120 °C, charging current reverses back to 12.5 % of the final CC charging current value.

The thermal foldback function is not available for LPM.

At charger junction temperature above  $T_{JREGx}$ , if the charger current is already set to 100 mA, the thermal foldback function keeps the current 100 mA. The final charging current min. out of the fold back function is clamped at 100 mA.

Table 60. Temperature regulation control register

| TEMPERATURE REGULATION CONTROL REGISTER |            |          |         |          |         |    |            |
|---|------------|----------|---------|----------|---------|----|------------|
| ADDR:                                   | 0x92       |          |         |          |         |    |            |
|   | D7         | D6       | D5      | D4       | D3      | D2 | D1 D0      |
| BITS:                                   | TEMP_FB_EN | RESERVED | THM_HOT | THM_COLD | REGTEMP |    | THM_CONFIG |
| POR:                                    | 0          | 0        | 0       | 0        | 0       | 1  | 0 1        |
| ACCESS:                                 |            | —        |         |          |         |    |            |

The following table shows the different thermal regulation set point:

Table 61. Thermal regulation settings

| REGTEMP[1:0] setting | Thermal regulation set point (°C) |
|----------------------|-----------------------------------|
| 00                   | 80                                |
| 01                   | 95                                |
| 10                   | 110                               |
| 11                   | Reserved                          |

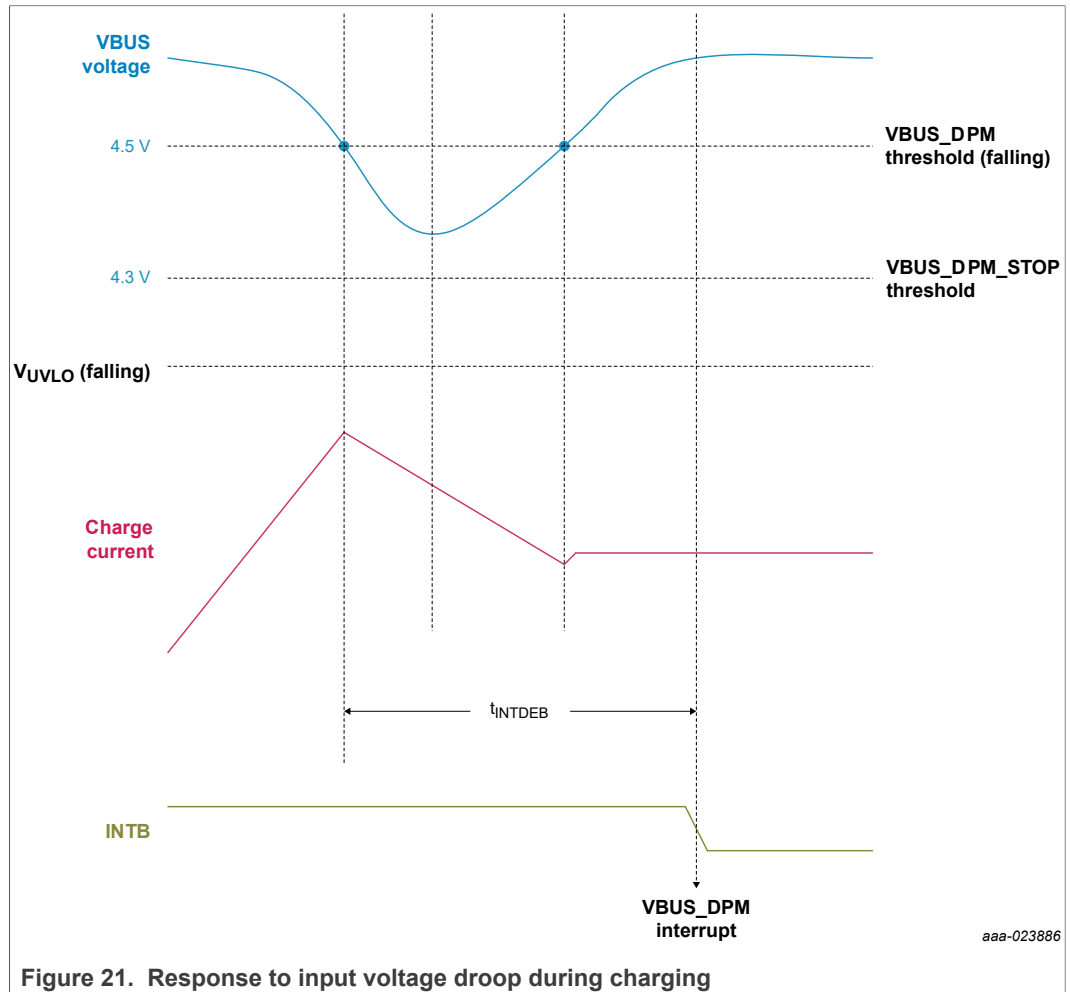
### 8.8.3 Input voltage regulation mode

An input-voltage regulation loop allows the charger to be well behaved when it is attached to a poor quality power source. The loop improves performance with relatively high-resistance charge sources that exist when long cables are used or devices are charged with non-compliant USB hub configurations. Additionally, this input-voltage regulation loop improves performance with current limited adapters. If the input current limit is programmed above the current limit threshold of given adapter, the input voltage loop allows regulation at the current limit of the adapter. Finally, the input-voltage regulation loop allows the charger to perform well with adapters that have poor transient load response times.

Power management integrated circuit (PMIC) for low power application processors

The input-voltage regulation loop automatically reduces the input current limit in order to keep the input voltage at  $V_{VBUS\_DPM\_REG}$ . Once VBUS drops to the 4.5 V threshold (this threshold itself is selectable via the  $VBUS\_DPM\_REG[2:0]$  bits), the charging current is scaled back and this brings back the VBUS voltage higher. The Dynamic Power Management (DPM) loop then regulates the charging current (indirectly by reducing input current limit) dynamically to maintain VBUS at the DPM threshold. An interrupt is generated after the debounce time to notify the processor of the DPM event.

In the following figure, VBUS starts to drop as the charging current increases.



The following figure describes a more stringent event.

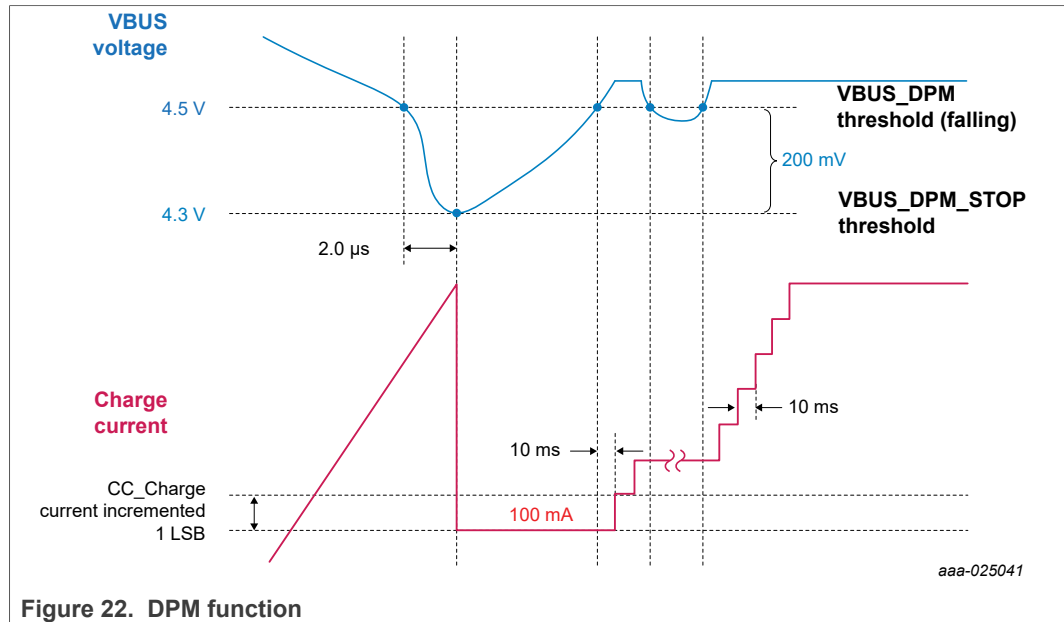


Figure 22. DPM function

There is a second comparator in the DPM loop which is set 200 mV below the VBUS\_DPM\_REG threshold. As seen in the second figure above, if the VBUS voltage continues to drop and hits the threshold of the second comparator, the charging current is immediately brought to the 100 mA setting to recover from the input voltage droop. At this point, the VBUS voltage should recover (assuming current drawn from VSYS is not causing the VBUS collapse).

Now, the charging current is stepped up slowly (every 10 ms) to arrive at the maximum value that allows regulation of VBUS to or slightly above the DPM threshold. At every incrementing step, the digital logic monitors if the VBUS voltage is above the 4.5 V comparator. The incrementing continues only if it is.

Table 62. VBUS linear dynamic input voltage register

| VBUS LINEAR DYNAMIC INPUT VOLTAGE REGISTER |          |    |              |                       |    |                      |    |    |
|--|----------|----|--------------|-----------------------|----|----------------------|----|----|
| ADDR:                                      | 0x95     |    |              |                       |    |                      |    |    |
|  | D7       | D6 | D5           | D4                    | D3 | D2                   | D1 | D0 |
| BITS:                                      | RESERVED |    | VIN_DPM_STOP | PRECHGDBATT_THRESHOLD |    | VBUS_DPM_REG_VOLTAGE |    |    |
| POR:                                       | 0        | 0  | 0            | 0                     | 0  | 0                    | 0  | 0  |
| ACCESS:                                    | —        |    |              |                       |    |                      |    |    |

The input DPM voltage regulation set point is selected by writing to the VBUS\_REG register.

Table 63. Input voltage regulation thresholds

| VBUS_REG[2:0] setting | VBUS DPM REG voltage setting (V) |
|-----------------------|----------------------------------|
| 000                   | 3.9                              |
| 001                   | 4.0                              |
| 010                   | 4.1                              |
| 011                   | 4.2                              |
| 100                   | 4.3                              |
| 101                   | 4.4                              |
| 110                   | 4.5                              |

Table 63. Input voltage regulation thresholds...continued

| VBUS_REG[2:0] setting | VBUS DPM REG voltage setting (V) |
|-----------------------|----------------------------------|
| 111                   | 4.6                              |

### 8.8.4 JEITA thermal control

The PF1550 includes a temperature control function that conforms to the recommendations specified in the Japan Electronics and Information Technology Industries Association (JEITA) guidelines for improving the safety when charging of lithium-ion batteries.

The JEITA specification establishes five temperature zones, COLD, COOL, NORMAL, WARM, and HOT, with four temperature thresholds partitioning the zones. Battery temperature is monitored using an NTC thermistor, in close proximity of the cell, and the charger is carefully controlled as shown in the following table:

Table 64. JEITA thermal control

| Zone   | JEITA control function                     |
|--------|--|
| COLD   | Charging inhibited                         |
| COOL   | Charger CC current and CV voltage adjusted |
| NORMAL | No JEITA control                           |
| WARM   | Charger CC current and CV voltage adjusted |
| HOT    | Charging inhibited                         |

JEITA thermal control is enabled by selecting bits THM\_CNFG[1:0] in the Temperature Regulation and Control Register 0x92.

Table 65. Temperature regulation control register

| TEMPERATURE REGULATION CONTROL REGISTER |            |          |         |          |         |    |            |    |
|---|------------|----------|---------|----------|---------|----|------------|----|
| ADDR:                                   | 0x92       |          |         |          |         |    |            |    |
|   | D7         | D6       | D5      | D4       | D3      | D2 | D1         | D0 |
| BITS:                                   | TEMP_FB_EN | RESERVED | THM_HOT | THM_COLD | REGTEMP |    | THM_CONFIG |    |
| POR:                                    | 0          | 0        | 0       | 0        | 0       | 1  | 0          | 1  |
| ACCESS:                                 |            | —        |         |          |         |    |            |    |

Power management integrated circuit (PMIC) for low power application processors

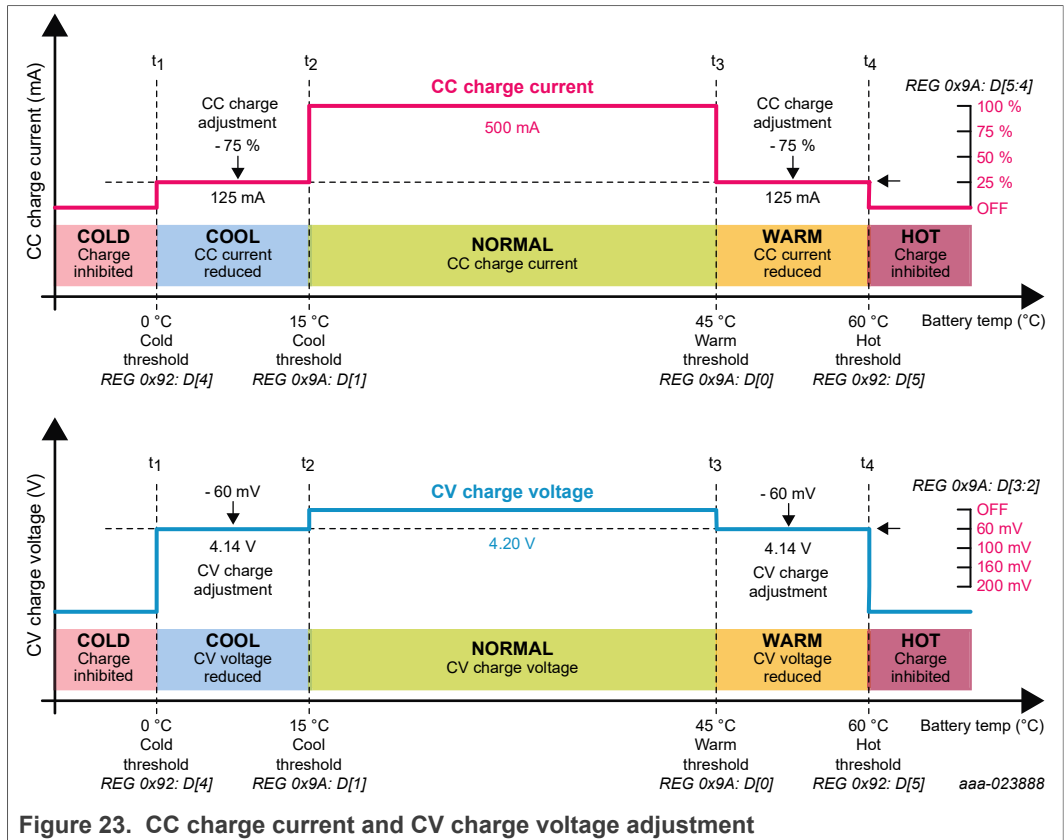


Figure 23. CC charge current and CV charge voltage adjustment

When the THM\_CNFG[1:0] is set to 0x02, the charging current and CV voltage are adjusted based on CC\_ADJ[1:0] and CV\_ADJ[1:0] respectively whenever T<sub>COOL</sub> and T<sub>WARM</sub> thresholds are crossed.

When the THM\_CNFG[1:0] is set to 0x03, and when the battery temperature rises above warm temp or goes below T<sub>COOL</sub>, only the charging current is changed based on CC\_ADJ[1:0]. CV voltage is not changed.

This feature can be disabled if THM\_CNFG[1:0] is set to 0x01.

During THM\_CNFG[1:0] = 0x01, JEITA compliance can still be achieved but through software.

The PF1550 helps with this implementation by providing an interrupt at the T<sub>COOL</sub> and T<sub>WARM</sub> threshold when THM\_CNFG[1:0] = 0x01.

The charger parameters must not be locked by OTP to use this software function.

If the thermistor functionality is not needed, THM\_CNFG[1:0] can be set 0x00.

Table 66. JEITA temperature control register

| JEITA TEMPERATURE CONTROL REGISTER |          |    |        |    |        |    |          |          |
|------------------------------------|----------|----|--------|----|--------|----|----------|----------|
| ADDR:                              | 0x9A     |    |        |    |        |    |          |          |
|                                    | D7       | D6 | D5     | D4 | D3     | D2 | D1       | D0       |
| BITS:                              | RESERVED |    | CC_ADJ |    | CV_ADJ |    | THM_COOL | THM_WARM |
| POR:                               | 0        | 0  | 0      | 0  | 0      | 0  | 0        | 0        |
| ACCESS:                            |          |    |        |    |        |    |          |          |

CV\_ADJ[1:0] has four settings, see Table 168 and register map:

Table 67. CV voltage adjustment settings

| CV_ADJ[1:0] | CV voltage adjustment (mV) |
|-------------|----------------------------|
| 00          | 60                         |
| 01          | 100                        |
| 10          | 160                        |
| 11          | 200                        |

CC\_ADJ[1:0] has four settings, see [Table 168](#) and register map:

Table 68. CC current adjustment settings

| CC_ADJ[1:0] | CC current adjustment (%) |
|-------------|---------------------------|
| 00          | 25 %                      |
| 01          | 50 %                      |
| 10          | 75 %                      |
| 11          | 100 %                     |

| THM_HOT[0] | THM_HOT setting (°C) |
|------------|----------------------|
| 0          | 60                   |
| 1          | 55                   |

| THM_COLD[0] | THM_COLD setting (°C) |
|-------------|-----------------------|
| 0           | 0                     |
| 1           | -10                   |

## 8.9 Fault states

### 8.9.1 Timer fault state

The battery charger provides both a charge timer and a watchdog timer to ensure safe charging.

The charge timer prevents the battery from charging indefinitely. The time that the charger is allowed to remain in each of its pre-qualification states is  $t_{PRECHG}$ .

The time that the charger is allowed to remain in the fast-charge CC and CV states is  $t_{FC}$  which is programmable with FCHGTIME.

Finally, the time that the charger is in the end-of-charge state is  $t_{EOC}$  which is programmable with EOCTIME bits. Upon entering the timer fault state, a CHG\_I interrupt is generated without a delay, CHG\_OK is cleared and CHG\_SNS = 0x06.

In the timer fault state, the charger is off. The charger can exit the timer fault state by programming the charger to be off and then programming it to be on again through the CHG\_OPER bits. Alternatively, the charger input can be removed and reinserted to exit the timer fault state.

VSYS should continue to regulate while in the Timer fault state.



### 8.9.2 Watchdog timer state

The battery charger provides both a charge timer and a watchdog timer to ensure safe charging. The watchdog timer protects the battery from charging indefinitely in the event that the host hangs or otherwise cannot communicate correctly.

The watchdog timer is disabled by default with  $WDTEN = 0$ . To use the watchdog timer feature, enable the feature by setting  $WDTEN$ . While enabled, the system controller must reset the watchdog timer within the timer period ( $t_{WD}$ ) for the charger to operate normally.

Reset the watchdog timer by programming  $WDTCLR = 0x01$ . As long as  $WDTEN = 1$ , the timer continues to run and the processor continues to clear the register before the timer expires.

The system processor clears the  $WDTEN$  bit to stop the timer.

If the watchdog timer expires while the charger is in precharge mode, fast charge CC or CV, end-of-charge, done, or timer fault, the charging stops, a  $CHG\_I$  interrupt is generated without a delay,  $CHG\_OK$  is cleared, and  $CHG\_SNS = 0x0B$  and indicates that the charger is off because the watchdog timer has expired.

Once the watchdog timer has expired, the charger is restarted by programming  $WDTCLR=0x01$ . The  $VSYS$  node is supported by the battery and/or the adapter through the Linear regulator while the watchdog timer is expired.

### 8.9.3 Thermal shutdown state

The thermal shutdown state occurs when the battery charger is in any state and the junction temperature ( $T_J$ ) exceeds the device's thermal shutdown threshold ( $T_{SHDN}$ ), typical 140 °C.

When  $T_J$  is close to  $T_{SHDN}$  the charger folds back the charging current to 0 A, so the charger is effectively off. Upon entering this state,  $CHG\_I$  interrupt is generated without a delay,  $CHG\_OK$  is cleared. In the thermal shutdown state, the charger is off and timers are suspended.

$CHG\_SNS = 0x0A$  and  $CHG\_OK = 0$  in the thermal shutdown state. The charger exits the temperature suspend state and returns to the state it came from once the die temperature has cooled. The timers resume once the charger exits this state.  $VSYS$  continues to regulate while in the thermal shutdown state.

### 8.9.4 Battery overvoltage state

A battery overvoltage fault occurs in any state when the battery voltage exceeds to  $V_{BATOV}$  threshold.

In this state,  $BATT\_SNS = 0x05$  and  $BAT\_OK = 0$ . A  $BATT\_I$  interrupt is generated in this state. In the event of a battery overvoltage state, the  $BATFET$  is opened and  $VSYS$  is regulated using the linear path. Once the battery overvoltage condition clears, the charger exits the battery overvoltage state and returns to the state it came from.

### 8.9.5 Charger fault priority

Some of the charger fault states occur at the same time. For example, battery overvoltage and thermal shutdown occur at the same time. In this section, which failure states take priority is discussed.

In any given state, non-recoverable faults such as battery overcurrent timer fault take the highest priority. Recoverable faults such as a thermistor suspend, or battery overvoltage take lower priority.

### 8.9.6 Battery overcurrent limit

The VBATT to VSYS detector (BATFET) generates an overcurrent (OVRC) and provides the signal to the PMIC on/off controller.

This feature protects the battery and the system from potential damage due to excessive battery discharge current. Excessive battery discharge current may occur for several reasons such as exposure to moisture, a software problem, a device failure, or mechanical failure that causes a short-circuit.

The battery overcurrent protection feature is enabled with BATFET\_OC[1:0] bit.

Disabling this feature reduces the main battery current consumption. When the battery current to system exceeds the programmed overcurrent threshold for at least  $t_{BOVCRI}$ , a BAT2SOC\_I interrupt is generated and BATTOC\_SNS bit reports an overcurrent condition.

If the overcurrent persists for  $t_{BOVCR}$ , the VBATT to VSYS MOSFET is disabled or kept alive depending on the BOVRC\_DISBATFET OTP bit. Typically, when the system's processor detects this overcurrent interrupt, it executes a housekeeping routine that tries to mitigate the overcurrent situation. There is an OTP option (via BOVRC\_DISBATFET bit) to either disable the BATFET after completion of housekeeping routine or remain on.

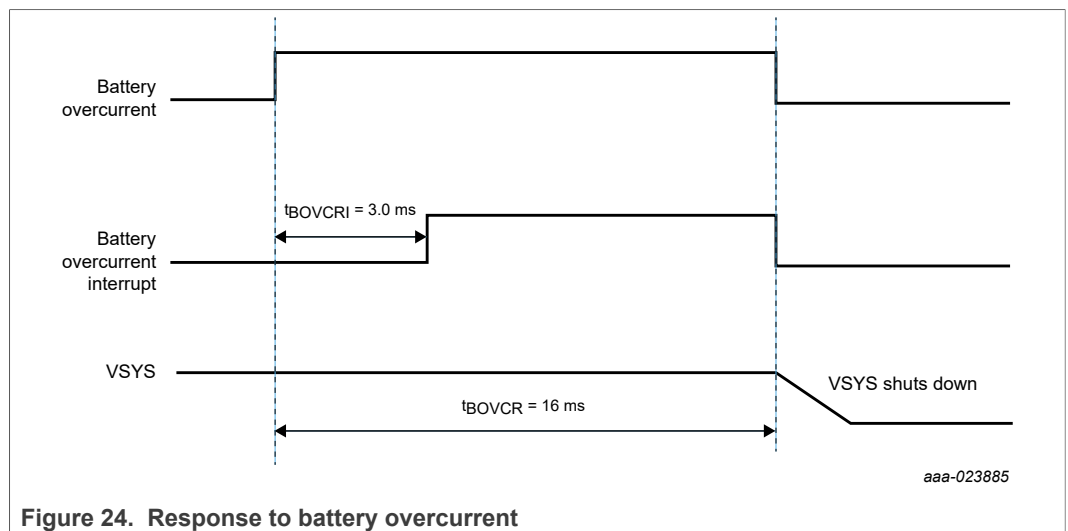


Figure 24. Response to battery overcurrent

The following table shows the different overcurrent threshold settings:

Table 69. Battery overcurrent thresholds

| BATFET_OC[1:0] setting | VBATT to VSYS overcurrent threshold (A) |
|------------------------|---|
| 00                     | Disabled                                |
| 01                     | 2.2                                     |
| 10                     | 2.8                                     |
| 11                     | 3.2                                     |

8.10 LED indicator

CHGB is a 6.0 mA LED current sink with programmable blink timing. Blink period and on-time are programmable with 2-bits. The LED has indicator depending on the charger state as shown in the LED modes table. Blink frequency is programmable for 0.5 Hz, 1.0 Hz, 8.0 Hz or 256 Hz. Blink duration is programmable from 0/32 duty cycle to 32/32 duty cycle in 1/32 increments.

The LED\_CFG bit allows the LEDs to operate in two modes as shown in the following table. With LED\_CFG=0, the LEDs behave as follows: charging (on), fault (flashing), and charge complete (off). When LED\_CFG = 1, the LED's have the following behavior, charging (flashing), fault (on), and charge complete (off). The LEDs are activated automatically when charging is started and remain under control of the state machine. Software can take control over the charge LED's by setting the LEDOVRD = 1. When LEDOVRD = 1 the LEDs are totally controlled by software, therefore the state machine no longer has control. With LEDOVRD = 0 software cannot force the LED's on but can still set the current.

The charging LED drivers include ramp up and ramp down patterns implemented in hardware. The ramp itself is generated by increasing or decreasing the PWM duty cycle with a 1/32 step every 1/64 seconds. The ramp time is therefore a function of the initial set PWM cycle and the final PWM cycle. As an example, starting from 0/32 and going to 32/32 takes 500 ms whereas going to from 8/32 to 16/32 takes 125 ms.

The ramp function is executed upon every change in PWM cycle setting. If a PWM change is programmed via I<sup>2</sup>C when LED\_RAMP = 0, then the change is immediate rather than spread out over a PWM sweep. In addition, programmable blink rates are provided. Blinking is obtained by lowering the PWM repetition rate of each of the drivers through LED\_FREQ[1:0] while the on period is determined by the duty cycle setting. To avoid high frequency spur coupling in the application, the switching edges of the output drivers are softened.

Table 70. LED modes

| Condition       | LED_CFG = 1                        | LED_CFG = 0 (default)              | Current (mA) |
|-----------------|------------------------------------|------------------------------------|--------------|
| Charger off     | Off                                | Off                                | 6            |
| Charging        | Flashing 1.0 Hz<br>50 % duty cycle | On steady<br>100 % duty cycle      | 6            |
| Charging fault  | On steady<br>100 % duty cycle      | Flashing 1.0 Hz<br>50 % duty cycle | 6            |
| Charge complete | Off                                | Off                                | 6            |

Table 71. LED enable conditions

| LED_EN      | CHGB | LEDOVRD |
|-------------|------|---------|
| 0 (default) | Auto | 0       |
| 1           | On   | 1       |
| 0           | Off  | 1       |

Table 72. LED frequency setting

| LED_FREQ[1:0] | Frequency | Units |
|---------------|-----------|-------|
| 00 (default)  | 1         | Hz    |
| 01            | 0.5       | Hz    |
| 10            | 256       | Hz    |
| 11            | 8         | Hz    |

## 9 Control and interface signals

The PF1550 PMIC is fully programmable via the I<sup>2</sup>C interface. Additional communication is provided by direct logic interfacing including interrupt and reset pins as well as pins for power buttons.

### 9.1 PWRON

PWRON is an input signal to the IC that acts as an enable signal for the voltage regulators in the PF1550.

The PWRON pin can be configured as either a level sensitive input (OTP\_PWRON\_CFG = 0), or as an edge sensitive input (OTP\_PWRON\_CFG = 1).

As a level sensitive input, an active high signal turns on the part and an active low signal turns off the part, or puts it into Sleep mode.

As an edge sensitive input, such as when connected to a mechanical switch, a falling edge turns on the part and if the switch is held low for greater than or equal to 4.0 seconds, the part turns off or enters Sleep mode.

Table 73. PWRON pin OTP configuration options

| OTP_PWRON_CFG | Mode   |
|---------------|--|
| 0             | PWRON pin HIGH = ON<br>PWRON pin LOW = OFF or Sleep mode                                   |
| 1             | PWRON pin pulled LOW momentarily = ON<br>PWRON pin LOW for 4.0 seconds = OFF or Sleep mode |

Table 74. PWRON pin logic level

| Pin name | Parameter       | Load condition | Min | Max | Unit |
|----------|-----------------|----------------|-----|-----|------|
| PWRON    | V <sub>IL</sub> | —              | 0.0 | 0.4 | V    |
|          | V <sub>IH</sub> | —              | 1.4 | 3.6 | V    |

When OTP\_PWRON\_CFG = 1, PWRON pin pulled low momentarily takes the system from REGS\_DISABLE/SLEEP to RUN mode. There is no effect if PWRON is pulled low momentarily while in RUN or STANDBY modes. Only an interrupt is generated.

PWRON pin low for 4.0 seconds with PWRONRSTEN bit = 1: Enters REGS\_DISABLE or Sleep mode.

See [Section 10 "PF1550 state machine"](#) for detailed description.

In this configuration, the PWRON input can be a mechanical switch de-bounced through a programmable de-bouncer, PWRONDBNC[1:0], to avoid a response to a very short key press. The interrupt is generated for both the falling and the rising edge of the PWRON

pin. By default, a 31.25 ms interrupt debounce is applied to both falling and rising edges. The falling edge debounce timing can be extended with PWRONDBNC[1:0]. The interrupt is cleared by software, or when cycling through the REGS\_DISABLE mode.

Table 75. PWRONDBNC settings

| Bits           | State | Turn on debounce (ms) | Falling edge INT debounce (ms) | Rising edge INT debounce (ms) |
|----------------|-------|-----------------------|--------------------------------|-------------------------------|
| PWRONDBNC[1:0] | 00    | 31.25                 | 31.25                          | 31.25                         |
|                | 01    | 31.25                 | 31.25                          | 31.25                         |
|                | 10    | 125                   | 125                            | 31.25                         |
|                | 11    | 750                   | 750                            | 31.25                         |

## 9.2 STANDBY

STANDBY is an input signal to the IC. When it is asserted the part enters standby mode and when deasserted, the part exits standby mode. STANDBY can be configured as active high or active low using the STANDBYINV bit.

Table 76. Standby pin polarity control

| STANDBY (pin) | STANDBYINV (I <sup>2</sup> C bit) | STANDBY control     |
|---------------|-----------------------------------|---------------------|
| 0             | 0                                 | Not in Standby mode |
| 0             | 1                                 | In Standby mode     |
| 1             | 0                                 | In Standby mode     |
| 1             | 1                                 | Not in Standby mode |

Table 77. STANDBY pin logic level

| Pin name | Parameter       | Load condition | Min | Max | Unit |
|----------|-----------------|----------------|-----|-----|------|
| STANDBY  | V <sub>IL</sub> | —              | 0   | 0.4 | V    |
|          | V <sub>IH</sub> | —              | 1.4 | 3.6 | V    |

Since STANDBY pin activity is driven asynchronously to the system, a finite time is required for the internal logic to qualify and respond to the pin level changes. A programmable delay is provided to hold off the system response to a Standby event. This allows the processor and peripherals some time after a standby instruction has been received to terminate processes to facilitate seamless entering into Standby mode. When enabled (STANDBYDLY = 01, 10, or 11), STANDBYDLY delays the Standby initiated response for the entire IC, until the STBYDLY counter expires. An allowance should be made for three additional 32 kHz cycles required to synchronize the Standby event.

## 9.3 RESETBMCU

RESETBMCU is an open-drain, active low output configurable via OTP for two modes of operation.

In its default mode, it is deasserted at the end of the start-up sequence. In this mode, the signal can be used to bring the processor out of reset (POR), or as an indicator that all supplies have been enabled; it is only asserted during a turn off event.

Power management integrated circuit (PMIC) for low power application processors

When configured for its fault mode, RESETBMCU is deasserted after the startup sequence is completed only if no faults occurred during start-up. At any time, if a fault occurs and persists for 1.8 ms typically, RESETBMCU is asserted low.

The PF1550 is turned off if the fault persists for more than 100 ms typically. The PWRON signal restarts the part, if the fault persists, the sequence described above is repeated. To enter the fault mode, set bit OTP\_PWRGD\_EN to 1.

The time from the last regulator in the start-up sequence to when RESETBMCU is deasserted is programmable between 2.0 ms and 1024 ms via OTP\_POR\_DLY[2:0] bits.

Table 78. RESETBMCU pin logic level

| Pin name  | Parameter       | Load condition | Min         | Max         | Unit |
|-----------|-----------------|----------------|-------------|-------------|------|
| RESETBMCU | V <sub>OL</sub> | -2.0 mA        | 0           | 0.2 * VDDIO | V    |
|           | V <sub>OH</sub> | Open drain     | 0.8 * VDDIO | 3.6         | V    |

### 9.4 INTB

INTB is an open-drain, active low output. It is asserted when any interrupt occurs, if the interrupt is unmasked. INTB is deasserted after the fault interrupt is cleared by software, which requires writing a “1” to the interrupt bit.

Each interrupt can be masked by setting the corresponding mask bit to a 1. As a result, when a masked interrupt bit goes high, the INTB pin does not go low. A masked interrupt can still be read from the interrupt status register. This gives the processor the option of polling for status from the IC.

The IC powers up with all interrupts masked, so the processor must initially poll the device to determine if any interrupts are active. Alternatively, the processor can unmask the interrupt bits of interest. If a masked interrupt bit was already high, the INTB pin goes low after unmasking. The sense registers contain status and input sense bits so the system processor can poll the current state of interrupt sources. They are read only, and not latched or clearable.

Table 79. INTB pin logic level

| Pin name | Parameter       | Load condition | Min         | Max         | Unit |
|----------|-----------------|----------------|-------------|-------------|------|
| INTB     | V <sub>OL</sub> | -2.0 mA        | 0           | 0.2 * VDDIO | V    |
|          | V <sub>OH</sub> | Open drain     | 0.8 * VDDIO | 3.6         | V    |

### 9.5 WDI

WDI is an input signal to the IC. It is typically connected to the watchdog output of the processor. When the WDI pin is pulled low, the PMIC enters the “REGS\_DISABLE” mode where all the regulators are turned off. The WDI acts as a hard reset input from the processor.

During PMIC startup (REGS\_DISABLE to RUN mode), the WDI pin is masked until RESETBMCU is deasserted.

Table 80. WDI pin logic level

| Pin name | Parameter       | Load condition | Min         | Max         | Unit |
|----------|-----------------|----------------|-------------|-------------|------|
| WDI      | V <sub>IL</sub> | —              | 0           | 0.2 * VDDIO | V    |
|          | V <sub>IH</sub> | —              | 0.8 * VDDIO | 3.6         | V    |

## 9.6 ONKEY

ONKEY is an input pin to the IC and is typically connected to a push-button switch. The ONKEY pin is pulled high when the switch is depressed, and is pulled low when the switch is pressed.

Pressing the switch generates interrupts which the processor uses to initiate PMIC state transitions. Pressing the ONKEY for longer than the delay programmed by OTP\_TGRESET[1:0] (ranges from 4.0 s to 16 s), forces the PMIC into the REGS\_DISABLE state.

Table 81. ONKEY pin logic level

| Pin name | Parameter       | Load condition | Min | Max | Unit |
|----------|-----------------|----------------|-----|-----|------|
| ONKEY    | V <sub>IL</sub> | —              | 0   | 0.4 | V    |
|          | V <sub>IH</sub> | —              | 1.4 | 4.8 | V    |

Table 82. ONKEYDBNC settings

| Bits           | State | Turn On debounce (ms) | Falling edge INT debounce (ms) | Rising edge INT debounce (ms) |
|----------------|-------|-----------------------|--------------------------------|-------------------------------|
| ONKEYDBNC[1:0] | 00    | 31.25                 | 31.25                          | 31.25                         |
|                | 01    | 31.25                 | 31.25                          | 31.25                         |
|                | 10    | 125                   | 125                            | 31.25                         |
|                | 11    | 750                   | 750                            | 31.25                         |

The ONKEY input can be a mechanical switch debounced through a programmable debouncer, ONKEYDBNC[1:0], to avoid a response to a very short (unintentional) keypress. The interrupt is generated during the rising edge of the ONKEY pin.

The falling edge debounce timing can be extended with ONKEYDBNC[1:0] as defined [Table 82](#). The interrupt is cleared by software, or when cycling through the REGS\_DISABLE mode.

See [Section 12 "Register map"](#) for detailed description of the ONKEY interrupt registers.

## 9.7 Control interface I<sup>2</sup>C block description

The PF1550 contains an I<sup>2</sup>C interface port which allows access by a processor, or any I<sup>2</sup>C master, to the register set. Via these registers, the resources of the IC can be controlled. The registers also provide status information about how the IC is operating.

The SCL and SDA lines should be routed away from noisy signals and planes to minimize noise pickup. To prevent reflections in the SCL and SDA traces from creating false pulses, the rise and fall times of the SCL and SDA signals must be greater than 20 ns. This can be accomplished by reducing the drive strength of the I<sup>2</sup>C master via software.

### 9.7.1 I<sup>2</sup>C device ID

I<sup>2</sup>C interface protocol requires a device ID for addressing the target IC on a multi-device bus. The PF1550 I<sup>2</sup>C device address is 0x08.

### 9.7.2 I<sup>2</sup>C operation

The I<sup>2</sup>C mode of the interface is implemented generally following the fast mode definition which supports up to 400 kbits/s operation (exceptions to the standard are noted to be 7-bit only addressing and no support for general call addressing). Timing diagrams, electrical specifications, and further details can be found in the I<sup>2</sup>C specification, which is available for download at:

[http://www.nxp.com/acrobat\\_download/literature/9398/39340011.pdf](http://www.nxp.com/acrobat_download/literature/9398/39340011.pdf)

I<sup>2</sup>C read operations are also performed in byte increments separated by an ACK. Read operations also begin with the MSB and each byte is sent out unless a STOP command or NACK is received prior to completion.

The following examples show how to write and read data to and from the IC. The host initiates and terminates all communication. The host sends a master command packet after driving the start condition. The device responds to the host if the master command packet contains the corresponding slave address. In the following examples, the device is shown always responding with an ACK to transmissions from the host. If at any time a NACK is received, the host should terminate the current transaction and retry the transaction.

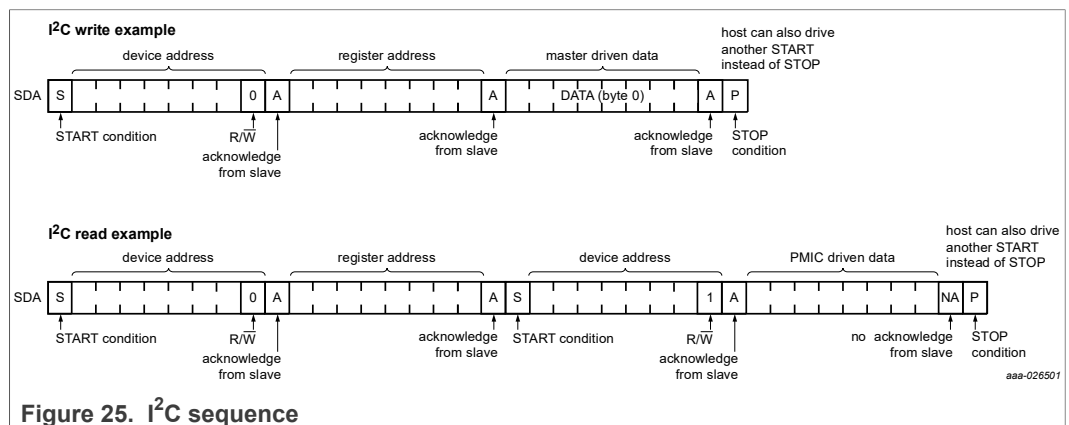


Figure 25. I<sup>2</sup>C sequence

## 10 PF1550 state machine

The PMIC part of the PF1550 can operate in a number of states as shown in [Figure 26](#).

The states can be split into two categories:

1. “System On” that includes the RUN, STANDBY, and SLEEP modes
2. “System Off” that includes the REGS\_DISABLE, CORE\_OFF, and SHIP modes



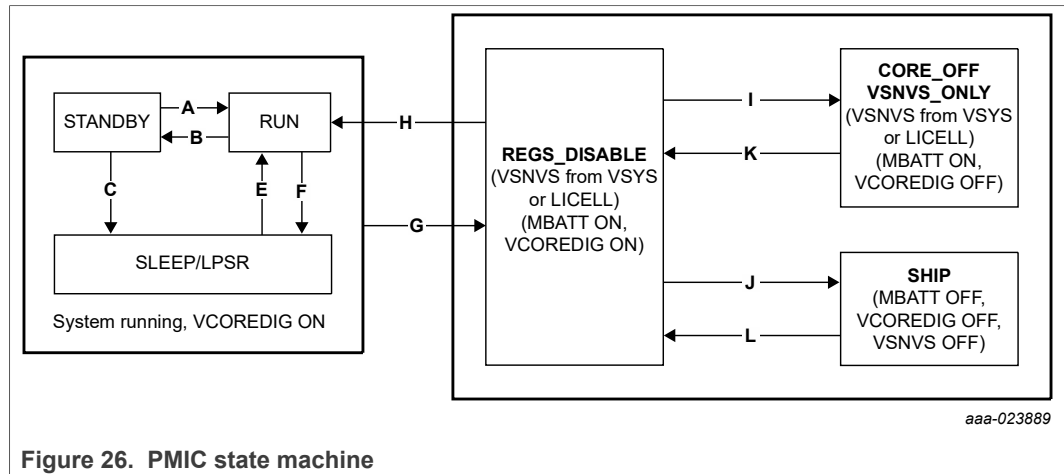


Figure 26. PMIC state machine

In the “System On” modes, some or all of the PMIC regulators are powered and in general the system processor is powered.

In the “System Off” modes, all (or all regulators except VSNVS) are powered off. In general, the system processor is powered off during these states. In the REGS\_DISABLE and CORE\_OFF modes, the VSNVS supply remains enabled keeping the system RTC running.

The only way to transition from “System Off” to “System On” and vice versa is through the REGS\_DISABLE mode. From the REGS\_DISABLE mode, the only exit into a “System On” state is into the “Run” mode. Transition from the REGS\_DISABLE mode to the Run mode requires a Turn On event. See [Section 10.3 "Turn on events"](#).

Transition from any of the “System On” modes to the REGS\_DISABLE state is allowed. This transition is referred to as a Turn Off event. See [Section 10.4 "Turn off events"](#).

## 10.1 System ON states

### 10.1.1 Run state

In this state, the PMIC regulators are enabled and the system is powered up. RESETBMCU is de-asserted in this state.

This mode can be entered in several ways:

1. From REGS\_DISABLE through a Turn On Event: During this transition, the PMIC regulators are powered up as per their programmed start-up sequence. After all the regulators are powered, the RESETBMCU pin is de-asserted.
2. From STANDBY by using the STANDBY pin
3. From SLEEP mode by using the PWRON pin: Typically, some of the regulators are turned off in the SLEEP mode compared to the RUN mode. In the SLEEP mode, some of the buck regulator output voltages are set lower than those in the RUN mode. While transitioning from the SLEEP to the RUN mode, regulators that were turned off in the SLEEP mode are turned back on in the RUN mode following the same sequence as the programmed OTP sequence. Output voltage transitions during transition from the SLEEP to the RUN mode also occurs at the same OTP sequence time slot. RESETBMCU is de-asserted through this state transition.

### 10.1.2 STANDBY state

This state is entered by controlling the logic level of the STANDBY pin. It can be entered only from the RUN mode.

The STANDBY pin polarity is programmable through the STANDBYINV I<sup>2</sup>C bit. By default, STANDBYINV = 0 and a logic high on the STANDBY pin moves the state machine from the RUN state to the STANDBY state. When STANDBYINV = 1, a logic low moves the state machine from the RUN state to the STANDBY state.

Regulator output voltage may be changed, or regulator outputs could be disabled while entering the STANDBY state and vice versa.

For details on the power-down sequence, see [Section 10.7 "Regulator power-down sequencer"](#). While exiting STANDBY state into the RUN mode, regulator output voltage changes and regulator enables follow the power-up sequence.

It is possible to exit STANDBY state and enter the SLEEP state. SLEEP state is generally a lower power system state compared to the STANDBY state. Exiting STANDBY into the SLEEP state follows the power-down sequence.

RESETBMCU is de-asserted in the STANDBY state.

### 10.1.3 SLEEP state

This state is entered from either the RUN state or the STANDBY state by controlling the PWRON pin. The exact condition required for this transition depends on the OTP configuration of the PWRON pin. For details see [Section 9.1 "PWRON"](#).

The power-down sequence is followed while entering this state and the power-up sequence is followed while exiting this state into the RUN state.

RESETBMCU is de-asserted in the SLEEP state.

## 10.2 System OFF states

RESETBMCU is asserted (low) in all the System Off states.

### 10.2.1 REGS\_DISABLE

This state can be considered the 'home state' for the state machine. In this state, the state machine waits for appropriate commands to proceed to other states.

REGS\_DISABLE can be entered from one of the "System On" state through a turn off event.

REGS\_DISABLE can be entered from the CORE\_OFF and SHIP mode by a charger attach event.

In the REGS\_DISABLE state, the PMIC core circuitry is active. VSNVS is a best-of-supply output of VSYS and LICELL.

### 10.2.2 CORE\_OFF

This state is entered in two ways:

1. From the REGS\_DISABLE mode by pressing and holding the ON\_KEY button low >  $T_{\text{reset}}$
2. From the REGS\_DISABLE mode if the GOTO\_CORE\_OFF bit is set

This state cannot be entered if a charger is plugged in.

In this state, the internal core of the PMIC is turned off to reduce quiescent current. VSNVS is the only regulator that is supplied to external loads.

### 10.2.3 SHIP

In this mode, the MBATT switch between VSYS and VBATT is opened. All the PMIC supplies including VSNVS are turned off.

The SHIP mode is entered if the GOTO\_SHIP bit is set in the REGS\_DISABLE state.

The only way to exit from this mode is by a charger attach event. The state machine exits to the REGS\_DISABLE state when this happens. A battery reattach can also be used to exit SHIP mode.

## 10.3 Turn on events

A turn on event takes the PMIC from the REGS\_DISABLE state to the RUN state (transition H in [Figure 26](#)).

The turn on events are:

1. PWRON logic high with PWRON\_CFG = 0
2. PWRON H -> L with PWRON\_CFG = 1

$VSYS > UVDET_{\text{rising}}$  and  $T_J < T_{\text{SHDN\_fall}}$  are preconditions for a turn on event to occur.

The turn on is to be completed after the RESETBMCU pin is deasserted. The WDI pin is masked till the RESETBMCU pin is deasserted.

## 10.4 Turn off events

A turn off event takes the PMIC state machine from one of the “System On” states (RUN, STANDBY, or SLEEP) to the REGS\_DISABLE state. The power-down sequence is followed during all of the turn off events.

The turn off events are:

1. Thermal Shutdown ( $T_J > T_{\text{SHDN\_rise}}$ )
2. PWRON logic low with OTP\_PWRON\_CFG = 0
3. PWRON low > 4.0 s with OTP\_PWRON\_CFG = 1 && PWRONRSTEN = 1
4. WDI = 0. This occurs when the processor watchdog expires and pulls the WDI pin low to create a hard reset.
5. ON\_KEY pressed low >  $T_{\text{greset}}$  && ON\_KEY\_RST\_EN = 1. This facilitates creating a hard reset when pressing the ON\_KEY button without processor intervention.
6. GOTO\_SHIP = 1. This is used to initiate the device to go into the SHIP mode. When GOTO\_SHIP bit is set to 1, the state machine proceeds from one of the “System On” states to the REGS\_DISABLE mode to the SHIP mode.

10.5 State diagram and transition conditions

Table 83. State transition table

| Transition | Description                           | PWRON_CFG = 0 (Level sensitive)   | PWRON_CFG = 1 (Edge sensitive)   |
|------------|---------------------------------------|---|--|
| A          | Standby to Run                        | (STANDBY pin = 0 && STANDBYINV bit = 0)<br>OR<br>(STANDBY pin = 1 && STANDBYINV bit = 1)  | (STANDBY pin = 0 && STANDBYINV bit = 0)<br>OR<br>(STANDBY pin = 1 && STANDBYINV bit = 1)   |
| B          | Run to Standby                        | (STANDBY pin = 1 && STANDBYINV bit = 0)<br>OR<br>(STANDBY pin = 0 && STANDBYINV bit = 1)  | (STANDBY pin = 1 && STANDBYINV bit = 0)<br>OR<br>(STANDBY pin = 0 && STANDBYINV bit = 1)   |
| C          | Standby to Sleep                      | (PWRON = 0) && (Any SWxOMODE = 1    Any LDOxOMODE = 1)  | (PWRON High to Low and PWRON = 0 > 4s) && (PWRONRSTEN = 1) && (Any SWxOMODE = 1    Any LDOxOMODE = 1)  |
| E          | Sleep to Run                          | PWRON = 1   | PWRON High to Low to High <sup>[1]</sup>   |
| F          | Run to Sleep                          | (PWRON = 0) && (Any SWxOMODE = 1    Any LDOxOMODE = 1)  | (PWRON High to Low and PWRON = 0 > 4s) && (PWRONRSTEN = 1) && (Any SWxOMODE = 1    Any LDOxOMODE = 1)  |
| G          | Run/Standby/<br>Sleep to REGS_DISABLE | (Thermal shutdown)<br>OR<br>(GOTO_SHIP = 1)<br>OR<br>(PWRON = 0 && All SWxOMODE = 0 && All LDOxOMODE = 0)<br>OR<br>(WDI = 0) <sup>[2]</sup><br>OR<br>(ONKEY High to Low and ONKEY = 0 > Tgreset && ONKEY_RST_EN = 1)<br>OR<br>(VSYS < UVDET_Fall) <sup>[3][4]</sup> | (Thermal shutdown)<br>OR<br>(GOTO_SHIP = 1)<br>OR<br>(PWRON High to Low and PWRON = 0 > 4s && PWRONRSTEN = 1 && All SWxOMODE = 0 && All LDOxOMODE = 0)<br>OR<br>(PWRON High to Low and PWRON = 0 > 4s when in Sleep state)<br>OR<br>(WDI = 0) <sup>[2]</sup><br>OR<br>(ONKEY High to Low and ONKEY = 0 > Tgreset and ONKEY_RST_EN = 1)<br>OR<br>(VSYS < UVDET_Fall) <sup>[3]</sup> |

Table 83. State transition table...continued

| Transition | Description  | PWRON_CFG = 0 (Level sensitive)  | PWRON_CFG = 1 (Edge sensitive)   |
|------------|--|--|--|
| H          | REGS_DISABLE to Run<br>(Only if VSYS > UVDET and T <sub>J</sub> < T <sub>SHDN_fall</sub> ) | (PWRON = 1)  | (PWRON High to Low)<br>OR<br>(If entered REGS_DISABLE via long press on PWRON && RESTARTEN = 1 && PWRON stays Low > 1.0s)<br>OR<br>(Charger attach)<br>[5] [6] |
| I          | REGS_DISABLE to CORE_OFF<br>(Only if VBUS_INVALID = 1)                                     | (GOTO_CORE_OFF = 1 && ONKEY = 1)<br>OR<br>(ONKEY High to Low and ONKEY = 0 > T <sub>greset</sub> && ONKEY_RST_EN = 1) [7][8] | (GOTO_CORE_OFF = 1 && ONKEY = 1)<br>OR<br>(ONKEY High to Low and ONKEY = 0 > T <sub>greset</sub> && ONKEY_RST_EN = 1) [7][9]                                   |
| J          | REGS_DISABLE to SHIP   | GOTO_SHIP = 1 && VBUS_INVALID = 1 [10]   | GOTO_SHIP = 1 && VBUS_INVALID = 1 [10]   |
| K          | CORE_OFF to REGS_DISABLE   | (ONKEY High to Low and ONKEY = 0 > 1000 ms)<br>OR<br>(Charger attach)  | (ONKEY High to Low and ONKEY = 0 > 1000 ms)<br>OR<br>(Charger attach)  |
| L          | SHIP to REGS_DISABLE   | (Charger attach)<br>OR<br>(Battery reattach)   | (Charger attach)<br>OR<br>(Battery reattach)   |

[1] This low period is < 4.0s. If it is longer than 4.0s, it transitions to G  
 [2] PWRON pin is pulled low by processor after WDI = 0.  
 [3] Follows regulator power-down sequence for this transition  
 [4] REGS\_DISABLE is a transitional state when GOTO\_SHIP = 1. The state machine does not stay at G when GOTO\_SHIP = 1  
 [5] WDI pin is masked until RESETBMCU is deasserted.  
 [6] Debounce on PWRON programmable via PWRONDBNC[1:0]  
 [7] PWRON pin is pulled low by processor after ONKEY = 0 > T<sub>greset</sub>.  
 [8] GOTO\_CORE\_OFF is set by user when system is ON. For other products, a secondary processor is used to set this bit while in REGS\_DISABLE  
 [9] GOTO\_CORE\_OFF must be set by user when system is ON  
 [10] VBUSIN pin voltage < 1.0 V

### 10.6 Regulator power-up sequencer

Start-up sequence of all the switching and linear regulators in the PF1550 is programmable. VSNVS's sequence is not programmable but is always the first regulator to power up when the PF1550 is powered up via a cold start (from no input to valid input). When SYS is first applied to the PF1550 (either by applying a battery, or by plugging in a charger), VSNVS comes up first.

The switching and linear regulators power up based on their programmed OTP sequence using the respective OTP\_XX\_SEQ[2:0] when transitioning from REGS\_DISABLE to the RUN state.

RESETBMCU is pulled low from VCOREDIG POR until the end of the power-up sequencer.

RESETBMCU is pulled high 2.0 ms to 1024 ms after the last regulator powers up. This delay is OTP programmable through the OTP\_POR\_DLY[2:0] bits.

When transitioning from STANDBY mode to RUN mode, the power-up sequencer is activated only if any of the regulators turn back on during this transition.

The power-up sequencer ends as soon as the last regulator powers up, rather than waiting for a fixed time.

The power-up sequencer is always activated when transitioning from Sleep to Run modes. The sequencer ends as soon as the last regulator powers up, rather than waiting for a fixed time.

The PWRUP\_I interrupt is set to indicate completion of transition from STANDBY to RUN and SLEEP to RUN.

The PWRUP\_I interrupt is set while transitioning from STANDBY to RUN even if the sequencers were not used. This is used to indicate that the transition is complete.

## 10.7 Regulator power-down sequencer

The power-down sequencer performs the functional opposite to the power-up sequencer. Each regulator has an associated register setting (SW1\_PWRDN\_SEQ[2:0], SW2\_PWRDN\_SEQ[2:0], SW3\_PWRDN\_SEQ[2:0], LDO1\_PWRDN\_SEQ[2:0], LDO2\_PWRDN\_SEQ[2:0], LDO3\_PWRDN\_SEQ[2:0], VREFDDR\_PWRDN\_SEQ[2:0]) that sets its power-down sequence.

The default setting of the above registers is equal to the corresponding power-up sequence setting. For example, SW1\_PWRDN\_SEQ[2:0] = OTP\_SW1\_PWRUP\_SEQ[2:0].

When the power-down sequencer is activated, regulators are turned off one by one in the descending order of the XXX\_PWRDN\_SEQ[2:0] setting. This way, by default power-down is a mirror of the power-up sequence.

In one of the "System On" states, the processor can change the values of the XXX\_PWRDN\_SEQ[2:0] registers. The power-up sequence is fixed by OTP (or TBB). If all XXX\_PWRDN\_SEQ[2:0] = 0x00, the power-down sequencer is bypassed and all the regulators are turned off at once. During transition from Run to Standby, the power-down sequencer is activated if any of the regulators are turned off during this transition.

If regulators are not turned off during this transition, the power-down sequencer is bypassed and the transition happens at once (any associated DVS transitions still take time).

During transition from Run to Sleep, the power-down sequencer is always activated. However, if all XXX\_PWRDN\_SEQ[2:0] = 0, the transition happens immediately.

The PWRDN\_I interrupt is set during transition from Run to Sleep and Run to Standby even if regulators are not turned off during these transitions.

## 11 Device start up

### 11.1 Startup timing diagram

The startup timing of the regulators is programmable through OTP, [Figure 27](#) shows the startup timing of the regulators as determined by their OTP A4 sequence.

Power management integrated circuit (PMIC) for low power application processors

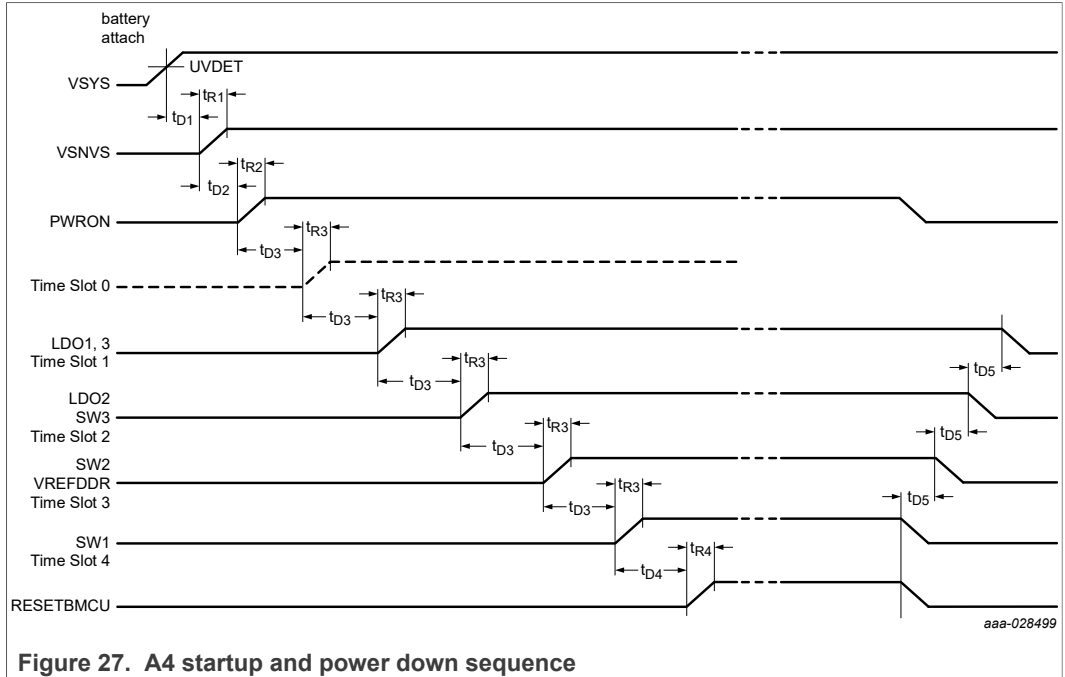


Figure 27. A4 startup and power down sequence

Table 84. A4 startup and power down sequence timing

| Parameter       | Description [1]   | Min.     | Typ.       | Max. | Unit |
|-----------------|---|----------|------------|------|------|
| t <sub>D1</sub> | Turn-on delay of VSNVS  | —        | 0.6        | —    | ms   |
| t <sub>R1</sub> | Rise time of VSNVS  | —        | 0.1        | —    | ms   |
| t <sub>D2</sub> | User determined delay   | —        | —          | —    | ms   |
| t <sub>R2</sub> | Rise time of PWRON  | —        | [2]        | —    | ms   |
| t <sub>D3</sub> | Power up delay between regulators<br>• OTP_SEQ_CLK_SPEED = 0<br>• OTP_SEQ_CLK_SPEED = 1 | —<br>[3] | 0.5<br>2.0 | —    | ms   |
| t <sub>R3</sub> | Rise time of regulators   | [4]      | 0.2        | —    | ms   |
| t <sub>D4</sub> | Turn-on delay of RESETBMCU  | —        | 2.0        | —    | ms   |
| t <sub>R4</sub> | Rise time of RESETBMCU  | —        | 0.2        | —    | ms   |
| t <sub>D5</sub> | Power down delay between regulators   | —        | 2.0        | —    | ms   |

- [1] All regulators avoid drop-out mode at startup
- [2] Depends on the external signal driving PWRON
- [3] A4 configuration
- [4] Rise time is a function of slew rate of regulators and nominal voltage selected.

## 11.2 Device start up configuration

Table 85. PF1550 start up configuration

| Registers                        | Pre-programmed OTP configuration |       |          |       |          |         |          |          |       |
|----------------------------------|----------------------------------|-------|----------|-------|----------|---------|----------|----------|-------|
|                                  | A1                               | A2    | A3       | A4    | A5       | A6      | A7       | A8       | A9    |
| Default I <sup>2</sup> C address | 0x08                             | 0x08  | 0x08     | 0x08  | 0x08     | 0x08    | 0x08     | 0x08     | 0x08  |
| OTP_VSNVS_VOLT[2:0]              | 3.0 V                            | 3.0 V | 3.0 V    | 3.0 V | 3.0 V    | 3.0 V   | 3.0 V    | 3.0 V    | 3.0 V |
| OTP_SW1_VOLT[5:0]                | 1.1 V                            | 1.0 V | 1.3875 V | 1.1 V | 1.3875 V | 1.275 V | 1.3875 V | 1.3875 V | 3.3 V |
| OTP_SW1_PWRUP_SEQ[2:0]           | 1                                | 5     | 3        | 4     | 3        | 3       | 3        | 3        | 3     |
| OTP_SW2_VOLT[5:0]                | 1.1 V                            | 1.2 V | 1.35 V   | 1.2 V | 1.5 V    | 1.35 V  | 1.2 V    | 1.35 V   | 3.3 V |
| OTP_SW2_PWRUP_SEQ[2:0]           | 2                                | 5     | 3        | 3     | 3        | 3       | 3        | 3        | 3     |

Table 85. PF1550 start up configuration...continued

| Registers                   | Pre-programmed OTP configuration                     |                            |                                 |                           |                           |                            |                           |                           |                            |  |
|-----------------------------|--|----------------------------|---------------------------------|---------------------------|---------------------------|----------------------------|---------------------------|---------------------------|----------------------------|--|
|                             | A1   | A2                         | A3                              | A4                        | A5                        | A6                         | A7                        | A8                        | A9                         |  |
| OTP_SW3_VOLT[5:0]           | 1.8 V  | 1.8 V                      | 3.3 V                           | 1.8 V                     | 3.3 V                     | 3.3 V                      | 1.8 V                     | 3.3 V                     | 3.0 V                      |  |
| OTP_SW3_PWRUP_SEQ[2:0]      | 3  | 1                          | 3                               | 2                         | 3                         | 3                          | 3                         | 3                         | 3                          |  |
| OTP_LDO1_VOLT[4:0]          | 1.0 V  | 1.8 V                      | 1.8 V                           | 3.3 V                     | 1.8 V                     | 1.8 V                      | 3.3 V                     | 1.8 V                     | 2.8 V                      |  |
| OTP_LDO1_PWRUP_SEQ[2:0]     | 4  | 1                          | 3                               | 1                         | 3                         | 3                          | 3                         | 3                         | 3                          |  |
| OTP_LDO2_VOLT[3:0]          | 2.5 V  | 3.3 V                      | 3.3 V                           | 3.3 V                     | 3.3 V                     | 3.3 V                      | 3.3 V                     | 3.3 V                     | 3.3 V                      |  |
| OTP_LDO2_PWRUP_SEQ[2:0]     | 4  | 1                          | 2                               | 2                         | 2                         | 2                          | 2                         | 2                         | 3                          |  |
| OTP_LDO3_VOLT[4:0]          | 1.0 V  | 1.8 V                      | 3.3 V                           | 1.8 V                     | 3.3 V                     | 3.3 V                      | 3.3 V                     | 3.3 V                     | 1.8 V                      |  |
| OTP_LDO3_PWRUP_SEQ[2:0]     | 5  | 1                          | 3                               | 1                         | 3                         | 3                          | 3                         | 3                         | 3                          |  |
| OTP_VREFDDR_PWRUP_SEQ[2:0]  | 5  | 5                          | 3                               | 3                         | 3                         | 3                          | 3                         | 3                         | 3                          |  |
| OTP_SW1_DVS_SEL             | Non-DVS mode   |                            | DVS mode                        |                           |                           |                            |                           | Non-DVS mode              |                            |  |
| OTP_SW2_DVS_SEL             | DVS mode   |                            | Non-DVS mode                    |                           | DVS mode                  |                            | Non-DVS mode              |                           | Non-DVS mode               |  |
| OTP_LDO1_LS_EN              | LDO Mode   |                            |                                 |                           |                           |                            |                           |                           |                            |  |
| OTP_LDO3_LS_EN              | LS Mode  |                            | LDO Mode                        |                           |                           |                            |                           |                           |                            |  |
| OTP_SW1_RDIS_ENB            | Enabled  |                            |                                 |                           |                           |                            |                           |                           |                            |  |
| OTP_SW2_RDIS_ENB            | Enabled  |                            |                                 |                           |                           |                            |                           |                           |                            |  |
| OTP_SW3_RDIS_ENB            | Enabled  |                            |                                 |                           |                           |                            |                           |                           |                            |  |
| OTP_SW1_DVSSPEED            | 12.5 mV step each 4.0 µs                             |                            |                                 |                           |                           |                            |                           |                           | Non-DVS mode               |  |
| OTP_SW2_DVSSPEED            | 12.5 mV step each 2.0 µs                             |                            | 12.5 mV step each 4.0 µs        |                           |                           |                            |                           |                           | Non-DVS mode               |  |
| OTP_SWx_EN_AND_STBY_EN      | SW1, SW2, SW3 Enabled in RUN and STANDBY             |                            |                                 |                           |                           |                            |                           |                           |                            |  |
| OTP_LDOx_EN_AND_STBY_EN     | LDO1, LDO2, LDO3, VREFDDR Enabled in RUN and STANDBY |                            |                                 |                           |                           |                            |                           |                           |                            |  |
| OTP_PWRON_CFG               | Level Sensitive                                      |                            |                                 |                           |                           |                            |                           | Edge Sensitive            | Level Sensitive            |  |
| OTP_SEQ_CLK_SPEED           | 0.5 ms Time Slots                                    |                            | 2 ms Time Slots                 |                           |                           |                            |                           |                           |                            |  |
| OTP_TGRESET[1:0]            | 4 secs Global Reset Timer                            |                            |                                 |                           |                           |                            |                           |                           |                            |  |
| OTP_POR_DLY[2:0]            | 2 ms RESETBMCU Power-Up Delay                        |                            |                                 |                           |                           |                            |                           |                           |                            |  |
| OTP_UVDET[1:0]              | Rising 3.0 V; Falling 2.9 V                          |                            |                                 |                           |                           |                            |                           |                           |                            |  |
| OTP_I2C DEGLITCH_EN         | I2C Deglitch Filter Disabled                         |                            |                                 |                           |                           |                            |                           |                           |                            |  |
| OTP_CHGR_OPER[1:0]          | Charger = ON, Linear = ON                            | Charger = OFF, Linear = ON | Charger = ON, Linear = ON       | Charger = ON, Linear = ON | Charger = ON, Linear = ON | Charger = OFF, Linear = ON | Charger = ON, Linear = ON | Charger = ON, Linear = ON | Charger = OFF, Linear = ON |  |
| OTP_CHGR_TPRECHG            | Pre-charge timer = 30 minutes                        |                            |                                 |                           |                           |                            |                           |                           |                            |  |
| OTP_CHGR_EOCTIME[2:0]       | End-Of-Charge Debounce = 16 secs                     |                            |                                 |                           |                           |                            |                           |                           |                            |  |
| OTP_CHGR_FCHGTIME[2:0]      | Fast-Charge Timer Disabled                           |                            |                                 |                           |                           |                            |                           |                           |                            |  |
| OTP_CHGR_EOC_MODE           | Linear ON in the DONE state                          |                            |                                 |                           |                           |                            |                           |                           |                            |  |
| OTP_CHGR_CHG_RESTART[1:0]   | 100 mV below CHGCV                                   |                            |                                 |                           |                           |                            |                           |                           |                            |  |
| OTP_CHGR_CHG_CC[4:0]        | CC = 100 mA  |                            |                                 | CC = 500 mA               |                           | CC = 100 mA                |                           |                           |                            |  |
| OTP_CHGR_VSYSMIN[1:0]       | VSYSMIN = 4.3 V                                      |                            |                                 |                           |                           | VSYSMIN = 3.7 V            | VSYSMIN = 4.3 V           |                           | VSYSMIN = 3.7 V            |  |
| OTP_CHGR_CHGCV[5:0]         | CV = 4.2 V   |                            |                                 |                           |                           |                            |                           |                           |                            |  |
| OTP_CHGR_VBUS_LIN_ILIM[4:0] | VBUS ILIM = 500 mA                                   |                            | VBUS ILIM = 1500 mA             |                           |                           |                            |                           |                           |                            |  |
| OTP_CHGR_VBUS_DPM_REG[2:0]  | 3.9 V  | 3.9 V                      | 3.9 V                           | 4.5 V                     | 3.9 V                     | 3.9 V                      | 3.9 V                     | 3.9 V                     | 3.9 V                      |  |
| OTP_CHGR_USBPHYLDO          | USBPHY LDO Disabled                                  |                            | USBPHY LDO Enabled              |                           |                           |                            |                           |                           |                            |  |
| OTP_CHGR_USBPHY             | USBPHY = 3.3 V                                       |                            |                                 |                           |                           |                            |                           |                           |                            |  |
| OTP_CHGR_ACTDISPHY          | USBPHY Active Discharge Disabled                     |                            | USBPHY Active Discharge Enabled |                           |                           |                            |                           |                           |                            |  |

## 12 Register map

### 12.1 Specific PMIC Registers (Offset is 0x00)

The following pages contain description of the various registers in the PF1550.



## Power management integrated circuit (PMIC) for low power application processors

Table 86. Register DEVICE\_ID - ADDR 0x00

| Name      | Bit    | R/W | Default | Description   |
|-----------|--------|-----|---------|---|
| DEVICE_ID | 2 to 0 | R   | 100     | Loaded from fuses<br><b>000</b> — Devices with "00" at the end of the part number, such as "PF1500"<br><b>001</b> — Future use<br><b>010</b> — Future use<br><b>011</b> — Future use<br><b>100</b> — Devices with "50" at the end of the part number, such as "PF1550"<br><b>101</b> — Future use<br><b>110</b> — Future use<br><b>111</b> — Future use |
| FAMILY    | 7 to 3 | R   | 01111   | Identifies PMIC<br><b>01111</b> — 0b0_1111 for "15" used to denote the "PF1550"   |

Table 87. Register OTP\_FLAVOR - ADDR 0x01

| Name   | Bit    | R/W | Default | Description   |
|--------|--------|-----|---------|---|
| UNUSED | 7 to 0 | R   | 0x00    | Blown by ATE to indicate flavor of OTP used<br><b>0x00</b> — OTP not burned<br><b>0x01</b> — A1<br><b>0x02</b> — A2<br><b>0x03</b> — A3<br>continues... |

Table 88. Register SILICON\_REV - ADDR 0x02

| Name            | Bit    | R/W | Default | Description |
|-----------------|--------|-----|---------|-------------|
| METAL_LAYER_REV | 2 to 0 | R   | 001     | Unused      |
| FULL_LAYER_REV  | 5 to 3 | R   | 010     | Unused      |
| FAB_FIN         | 7 to 6 | R   | 00      | Unused      |

Table 89. Register INT\_CATEGORY - ADDR 0x06

| Name    | Bit | R/W | Default | Description   |
|---------|-----|-----|---------|---|
| CHG_INT | 0   | R   | 0       | This bit is set high if any of the charger interrupt status bits are set<br><b>0</b> — No charger interrupt bit is set, cleared, or did not occur<br><b>1</b> — "OR" function of all charger interrupt status bit |
| SW1_INT | 1   | R   | 0       | This bit is set high if any of the Buck 1 interrupt status bits are set<br><b>0</b> — SW1 interrupts cleared or did not occur<br><b>1</b> — Any of the SW1 interrupt status bits are set                          |
| SW2_INT | 2   | R   | 0       | This bit is set high if any of the Buck 2 interrupt status bits are set<br><b>0</b> — SW2 interrupts cleared or did not occur<br><b>1</b> — Any of the SW2 interrupt status bits are set                          |
| SW3_INT | 3   | R   | 0       | This bit is set high if any of the Buck 3 interrupt status bits are set<br><b>0</b> — SW3 interrupts cleared or did not occur<br><b>1</b> — any of the SW3 interrupt status bits are set                          |

## Power management integrated circuit (PMIC) for low power application processors

Table 89. Register INT\_CATEGORY - ADDR 0x06...continued

| Name      | Bit | R/W | Default | Description  |
|-----------|-----|-----|---------|--|
| LDO_INT   | 4   | R   | 0       | This bit is set high if any of the LDO interrupt status bits are set. This includes LDO1, LDO2, and LDO3.<br><b>0</b> — LDO interrupts cleared or did not occur<br><b>1</b> — Any of the LDO interrupt status bits are set   |
| ONKEY_INT | 5   | R   | 0       | This bit is set high if any of the interrupts associated with ONKEY push-button are set.<br><b>0</b> — ONKEY related interrupts cleared or did not occur<br><b>1</b> — Any of the ONKEY interrupt status bits are set  |
| TEMP_INT  | 6   | R   | 0       | This bit is set if any of the interrupts associated with the die temperature monitor are set<br><b>0</b> — PMIC junction temperature related interrupts cleared or did not occur<br><b>1</b> — any of the PMIC junction temperature interrupts status bits are set |
| MISC_INT  | 7   | R   | 0       | This bit is set if interrupts not covered by the above mentioned categories occur<br><b>0</b> — Other interrupts (not covered by categories above) cleared, or did not occur<br><b>1</b> — Status bit of other interrupts (not covered by categories above) is set |

Table 90. Register SW\_INT\_STAT0 - ADDR 0x08

| Name     | Bit    | R/W                 | Default | Description  |
|----------|--------|---------------------|---------|--|
| SW1_LS_I | 0      | RW1C <sup>[1]</sup> | 0       | SW1 low-side current limit interrupt status. This bit is set if the current limit fault persists for longer than the debounce time.<br><b>0</b> — Interrupt cleared or did not occur<br><b>1</b> — Interrupt occurred and/or not cleared |
| SW2_LS_I | 1      | RW1C                | 0       | SW2 low-side current limit interrupt status. This bit is set if the current limit fault persists for longer than the debounce time.<br><b>0</b> — Interrupt cleared or did not occur<br><b>1</b> — Interrupt occurred and/or not cleared |
| SW3_LS_I | 2      | RW1C                | 0       | SW3 low-side current limit interrupt status. This bit is set if the current limit fault persists for longer than the debounce time.<br><b>0</b> — Interrupt cleared or did not occur<br><b>1</b> — Interrupt occurred and/or not cleared |
| UNUSED   | 7 to 3 | —                   | —       | Unused   |

[1] Read or Write 1 to clear the bit

Table 91. Register SW\_INT\_MASK0 - ADDR 0x09

| Name     | Bit | R/W | Default | Description   |
|----------|-----|-----|---------|---|
| SW1_LS_M | 0   | RW  | 1       | SW1 low-side current limit interrupt mask<br><b>0</b> — Mask removed. INTB pin is pulled low if corresponding interrupt status bit is set.<br><b>1</b> — Mask enabled. INTB pin is NOT pulled low if corresponding interrupt status bit is set. |

## Power management integrated circuit (PMIC) for low power application processors

Table 91. Register SW\_INT\_MASK0 - ADDR 0x09...continued

| Name     | Bit    | R/W | Default | Description   |
|----------|--------|-----|---------|---|
| SW2_LS_M | 1      | RW  | 1       | SW2 low-side current limit interrupt mask<br><b>0</b> — Mask removed. INTB pin is pulled low if corresponding interrupt status bit is set.<br><b>1</b> — Mask enabled. INTB pin is NOT pulled low if corresponding interrupt status bit is set. |
| SW3_LS_M | 2      | RW  | 1       | SW3 low-side current limit interrupt mask<br><b>0</b> — Mask removed. INTB pin is pulled low if corresponding interrupt status bit is set.<br><b>1</b> — Mask enabled. INTB pin is NOT pulled low if corresponding interrupt status bit is set. |
| UNUSED   | 7 to 3 | —   | —       | Unused  |

Table 92. Register SW\_INT\_SENSE0 - ADDR 0x0A

| Name     | Bit    | R/W | Default | Description   |
|----------|--------|-----|---------|---|
| SW1_LS_S | 0      | R   | 0       | SW1 low-side current limit interrupt sense. Sense is high as long as fault persists (post-debounce).<br><b>0</b> — Fault removed<br><b>1</b> — Fault exists |
| SW2_LS_S | 1      | R   | 0       | SW2 low-side current limit interrupt sense. Sense is high as long as fault persists (post-debounce).<br><b>0</b> — Fault removed<br><b>1</b> — Fault exists |
| SW3_LS_S | 2      | R   | 0       | SW3 low-side current limit interrupt sense. Sense is high as long as fault persists (post-debounce)<br><b>0</b> — Fault removed<br><b>1</b> — Fault exists  |
| UNUSED   | 7 to 3 | —   | —       | Unused  |

Table 93. Register SW\_INT\_STAT1 - ADDR 0x0B

| Name     | Bit    | R/W                 | Default | Description  |
|----------|--------|---------------------|---------|--|
| SW1_HS_I | 0      | RW1C <sup>[1]</sup> | 0       | SW1 high-side current limit interrupt<br><b>0</b> — Interrupt cleared or did not occur<br><b>1</b> — Interrupt occurred and/or not cleared |
| SW2_HS_I | 1      | RW1C                | 0       | SW2 high-side current limit interrupt<br><b>0</b> — Interrupt cleared or did not occur<br><b>1</b> — Interrupt occurred and/or not cleared |
| SW3_HS_I | 2      | RW1C                | 0       | SW3 high-side current limit interrupt<br><b>0</b> — Interrupt cleared or did not occur<br><b>1</b> — Interrupt occurred and/or not cleared |
| UNUSED   | 7 to 3 | —                   | —       | Unused   |

[1] Read or Write 1 to clear the bit

## Power management integrated circuit (PMIC) for low power application processors

Table 94. Register SW\_INT\_MASK1 - ADDR 0x0C

| Name     | Bit    | R/W | Default | Description  |
|----------|--------|-----|---------|--|
| SW1_HS_M | 0      | RW  | 1       | SW1 high-side current limit interrupt mask<br><b>0</b> — Mask removed. INTB pin is pulled low if corresponding interrupt status bit is set.<br><b>1</b> — Mask enabled. INTB pin is NOT pulled low if corresponding interrupt status bit is set. |
| SW2_HS_M | 1      | RW  | 1       | SW2 high-side current limit interrupt mask<br><b>0</b> — Mask removed. INTB pin is pulled low if corresponding interrupt status bit is set.<br><b>1</b> — Mask enabled. INTB pin is NOT pulled low if corresponding interrupt status bit is set. |
| SW3_HS_M | 2      | RW  | 1       | SW3 high-side current limit interrupt mask<br><b>0</b> — Mask removed. INTB pin is pulled low if corresponding interrupt status bit is set.<br><b>1</b> — Mask enabled. INTB pin is NOT pulled low if corresponding interrupt status bit is set. |
| UNUSED   | 7 to 3 | —   | —       | Unused   |

Table 95. Register SW\_INT\_SENSE1 - ADDR 0x0D

| Name     | Bit    | R/W | Default | Description  |
|----------|--------|-----|---------|--|
| SW1_HS_S | 0      | R   | 0       | SW1 high-side current limit interrupt sense. This bit should not toggle within a switching cycle (at buck switching frequency), but report the sense status within the switching cycle.<br><b>0</b> — Fault removed<br><b>1</b> — Fault exists |
| SW2_HS_S | 1      | R   | 0       | SW2 high-side current limit interrupt sense. This bit should not toggle within a switching cycle (at buck switching frequency), but report the sense status within the switching cycle.<br><b>0</b> — Fault removed<br><b>1</b> — Fault exists |
| SW3_HS_S | 2      | R   | 0       | SW3 high-side current limit interrupt sense. This bit should not toggle within a switching cycle (at buck switching frequency), but report the sense status within the switching cycle.<br><b>0</b> — Fault removed<br><b>1</b> — Fault exists |
| UNUSED   | 7 to 3 | —   | —       | Unused   |

Table 96. Register SW\_INT\_STAT2 - ADDR 0x0E

| Name           | Bit | R/W                 | Default | Description  |
|----------------|-----|---------------------|---------|--|
| SW1_DVS_DONE_I | 0   | RW1C <sup>[1]</sup> | 0       | Interrupt to indicate SW1 DVS complete. This interrupt should occur every time regulator output voltage is changed (either via I <sup>2</sup> C within a given state, or if there is change in voltage when transitioning states, Run to Standby, for example).<br><b>0</b> — DVS not complete and/or bit cleared<br><b>1</b> — DVS complete |
| SW2_DVS_DONE_I | 1   | RW1C                | 0       | Interrupt to indicate SW2 DVS complete. This interrupt should occur every time regulator output voltage is changed (either via I <sup>2</sup> C within a given state, or if there is change in voltage when transitioning states, Run to Standby, for example).<br><b>0</b> — DVS not complete and/or bit cleared<br><b>1</b> — DVS complete |

## Power management integrated circuit (PMIC) for low power application processors

Table 96. Register SW\_INT\_STAT2 - ADDR 0x0E...continued

| Name   | Bit    | R/W | Default | Description |
|--------|--------|-----|---------|-------------|
| UNUSED | 7 to 2 | —   | —       | Unused      |

[1] Read or Write 1 to clear the bit

Table 97. Register SW\_INT\_MASK2 - ADDR 0x0F

| Name           | Bit    | R/W | Default | Description  |
|----------------|--------|-----|---------|--|
| SW1_DVS_DONE_M | 0      | RW  | 1       | Mask for interrupt that indicates SW1 DVS complete<br><b>0</b> — Mask removed. INTB pin is pulled low if corresponding interrupt status bit is set.<br><b>1</b> — Mask enabled. INTB pin is not pulled low if corresponding interrupt status bit is set. |
| SW2_DVS_DONE_M | 1      | RW  | 1       | Mask for interrupt that indicates SW2 DVS complete<br><b>0</b> — Mask removed. INTB pin is pulled low if corresponding interrupt status bit is set.<br><b>1</b> — Mask enabled. INTB pin is not pulled low if corresponding interrupt status bit is set. |
| UNUSED         | 7 to 2 | —   | —       | Unused   |

Table 98. Register SW\_INT\_SENSE2 - ADDR 0x10

| Name      | Bit    | R/W | Default | Description   |
|-----------|--------|-----|---------|---|
| SW1_DVS_S | 0      | R   | 0       | Indicates DVS in progress for SW1<br><b>0</b> — DVS not in progress<br><b>1</b> — DVS in progress |
| SW2_DVS_S | 1      | R   | 0       | Indicates DVS in progress for SW2<br><b>0</b> — DVS not in progress<br><b>1</b> — DVS in progress |
| UNUSED    | 7 to 2 | —   | —       | Unused  |

Table 99. Register LDO\_INT\_STAT0 - ADDR 0x18

| Name        | Bit    | R/W                 | Default | Description   |
|-------------|--------|---------------------|---------|---|
| LDO1_FAULTI | 0      | RW1C <sup>[1]</sup> | 0       | LDO1 current limit interrupt<br><b>0</b> — Interrupt cleared or did not occur<br><b>1</b> — Interrupt occurred and/or not cleared |
| LDO2_FAULTI | 1      | RW1C                | 0       | LDO2 current limit interrupt<br><b>0</b> — Interrupt cleared or did not occur<br><b>1</b> — Interrupt occurred and/or not cleared |
| LDO3_FAULTI | 2      | RW1C                | 0       | LDO3 current limit interrupt<br><b>0</b> — Interrupt cleared or did not occur<br><b>1</b> — Interrupt occurred and/or not cleared |
| UNUSED      | 7 to 3 | —                   | —       | Unused  |

[1] Read or Write 1 to clear the bit

## Power management integrated circuit (PMIC) for low power application processors

Table 100. Register LDO\_INT\_MASK0 - ADDR 0x19

| Name        | Bit    | R/W | Default | Description   |
|-------------|--------|-----|---------|---|
| LDO1_FAULTM | 0      | RW  | 1       | LDO1 current limit fault interrupt mask<br><b>0</b> — Mask removed. INTB pin is pulled low if corresponding interrupt status bit is set.<br><b>1</b> — Mask enabled. INTB pin is not pulled low if corresponding interrupt status bit is set. |
| LDO2_FAULTM | 1      | RW  | 1       | LDO2 current limit fault interrupt mask<br><b>0</b> — Mask removed. INTB pin is pulled low if corresponding interrupt status bit is set<br><b>1</b> — Mask enabled. INTB pin is not pulled low if corresponding interrupt status bit is set.  |
| LDO3_FAULTM | 2      | RW  | 1       | LDO3 current limit fault interrupt mask<br><b>0</b> — Mask removed. INTB pin is pulled low if corresponding interrupt status bit is set.<br><b>1</b> — Mask enabled. INTB pin is not pulled low if corresponding interrupt status bit is set. |
| UNUSED      | 7 to 3 | —   | —       | Unused  |

Table 101. Register LDO\_INT\_SENSE0 - ADDR 0x1A

| Name        | Bit    | R/W | Default | Description   |
|-------------|--------|-----|---------|---|
| LDO1_FAULTS | 0      | R   | 0       | LDO1 fault interrupt sense<br><b>0</b> — Fault removed<br><b>1</b> — Fault exists |
| LDO2_FAULTS | 1      | R   | 0       | LDO2 fault interrupt sense<br><b>0</b> — Fault removed<br><b>1</b> — Fault exists |
| LDO3_FAULTS | 2      | R   | 0       | LDO3 fault interrupt sense<br><b>0</b> — Fault removed<br><b>1</b> — Fault exists |
| UNUSED      | 7 to 3 | —   | —       | Unused  |

Table 102. Register TEMP\_INT\_STAT0 - ADDR 0x20

| Name      | Bit    | R/W                 | Default | Description   |
|-----------|--------|---------------------|---------|---|
| THERM110I | 0      | RW1C <sup>[1]</sup> | 0       | Die temperature crosses 110 °C interrupt. Bidirectional interrupt.<br><b>0</b> — Interrupt cleared or did not occur<br><b>1</b> — Interrupt occurred and/or not cleared |
| UNUSED    | 1      | —                   | —       | Unused  |
| THERM125I | 2      | RW1C                | 0       | Die temperature crosses 125 °C interrupt. Bidirectional interrupt.<br><b>0</b> — Interrupt cleared or did not occur<br><b>1</b> — Interrupt occurred and/or not cleared |
| UNUSED    | 7 to 3 | —                   | —       | Unused  |

[1] Read or Write 1 to clear the bit

## Power management integrated circuit (PMIC) for low power application processors

Table 103. Register TEMP\_INT\_MASK0 - ADDR 0x21

| Name      | Bit    | R/W | Default | Description   |
|-----------|--------|-----|---------|---|
| THERM110M | 0      | RW  | 1       | Die temperature crosses 110 °C interrupt mask<br><b>0</b> — Mask removed. INTB pin is pulled low if corresponding interrupt status bit is set.<br><b>1</b> — Mask enabled. INTB pin is NOT pulled low if corresponding interrupt status bit is set. |
| UNUSED    | 1      | —   | —       | Unused  |
| THERM125M | 2      | RW  | 1       | Die temperature crosses 125 °C interrupt mask<br><b>0</b> — Mask removed. INTB pin is pulled low if corresponding interrupt status bit is set.<br><b>1</b> — Mask enabled. INTB pin is not pulled low if corresponding interrupt status bit is set. |
| UNUSED    | 7 to 3 | —   | —       | Unused  |

Table 104. Register TEMP\_INT\_SENSE0 - ADDR 0x22

| Name      | Bit    | R/W | Default | Description  |
|-----------|--------|-----|---------|--|
| THERM110S | 0      | R   | 0       | 110 °C interrupt sense<br><b>0</b> — Die temperature below 110 °C<br><b>1</b> — Die temperature above 110 °C |
| UNUSED    | 1      | —   | —       | Unused   |
| THERM125S | 2      | R   | 0       | 125 °C interrupt sense<br><b>0</b> — Die temperature below 125 °C<br><b>1</b> — Die temperature above 125 °C |
| UNUSED    | 7 to 3 | —   | —       | Unused   |

Table 105. Register ONKEY\_INT\_STAT0 - ADDR 0x24

| Name        | Bit | R/W                 | Default | Description   |
|-------------|-----|---------------------|---------|---|
| ONKEY_PUSHI | 0   | RW1C <sup>[1]</sup> | 0       | Interrupt to indicate a push of the ONKEY button. Goes high after debounce.<br><b>0</b> — Interrupt cleared or did not occur<br><b>1</b> — Interrupt occurred and/or not cleared. Interrupt occurs whenever ONKEY button is pushed low for longer than the falling edge debounce setting.<br>Interrupt also occurs whenever ONKEY button is released high for longer than the rising edge debounce setting, provided it went past the falling edge debounce time. In other words, this interrupt occurs whenever a change in status of the ONKEY_PUSHES sense bit occurs. |
| ONKEY_1SI   | 1   | RW1C                | 0       | Interrupt after ONKEY pressed for > 1 s<br><b>0</b> — Interrupt cleared or did not occur<br><b>1</b> — Interrupt occurred and/or not cleared  |
| ONKEY_2SI   | 2   | RW1C                | 0       | Interrupt after ONKEY pressed for > 2 s<br><b>0</b> — Interrupt cleared or did not occur<br><b>1</b> — Interrupt occurred and/or not cleared  |
| ONKEY_3SI   | 3   | RW1C                | 0       | Interrupt after ONKEY pressed for > 3 s<br><b>0</b> — Interrupt cleared or did not occur<br><b>1</b> — Interrupt occurred and/or not cleared  |

## Power management integrated circuit (PMIC) for low power application processors

Table 105. Register ONKEY\_INT\_STAT0 - ADDR 0x24...continued

| Name      | Bit    | R/W  | Default | Description  |
|-----------|--------|------|---------|--|
| ONKEY_4SI | 4      | RW1C | 0       | Interrupt after ONKEY pressed for > 4 s<br><b>0</b> — Interrupt cleared or did not occur<br><b>1</b> — Interrupt occurred and/or not cleared |
| ONKEY_8SI | 5      | RW1C | 0       | Interrupt after ONKEY pressed for > 8 s<br><b>0</b> — Interrupt cleared or did not occur<br><b>1</b> — Interrupt occurred and/or not cleared |
| UNUSED    | 7 to 6 | —    | —       | Unused   |

[1] Read or Write 1 to clear the bit

Table 106. Register ONKEY\_INT\_MASK0 - ADDR 0x25

| Name        | Bit    | R/W | Default | Description   |
|-------------|--------|-----|---------|---|
| ONKEY_PUSHM | 0      | RW  | 1       | Interrupt mask for ONKEY_PUSH_I<br><b>0</b> — Mask removed. INTB pin is pulled low if corresponding interrupt status bit is set.<br><b>1</b> — Mask enabled. INTB pin is not pulled low if corresponding interrupt status bit is set. |
| ONKEY_1SM   | 1      | RW  | 1       | Interrupt mask for ONKEY_1SI<br><b>0</b> — Mask removed. INTB pin is pulled low if corresponding interrupt status bit is set.<br><b>1</b> — Mask enabled. INTB pin is not pulled low if corresponding interrupt status bit is set.    |
| ONKEY_2SM   | 2      | RW  | 1       | Interrupt mask for ONKEY_2SI<br><b>0</b> — Mask removed. INTB pin is pulled low if corresponding interrupt status bit is set.<br><b>1</b> — Mask enabled. INTB pin is NOT pulled low if corresponding interrupt status bit is set.    |
| ONKEY_3SM   | 3      | RW  | 1       | Interrupt mask for ONKEY_3SI<br><b>0</b> — Mask removed. INTB pin is pulled low if corresponding interrupt status bit is set.<br><b>1</b> — Mask enabled. INTB pin is not pulled low if corresponding interrupt status bit is set.    |
| ONKEY_4SM   | 4      | RW  | 1       | Interrupt mask for ONKEY_4SI<br><b>0</b> — Mask removed. INTB pin is pulled low if corresponding interrupt status bit is set.<br><b>1</b> — Mask enabled. INTB pin is not pulled low if corresponding interrupt status bit is set.    |
| ONKEY_8SM   | 5      | RW  | 1       | Interrupt mask for ONKEY_8SI<br><b>0</b> — Mask removed. INTB pin is pulled low if corresponding interrupt status bit is set.<br><b>1</b> — Mask enabled. INTB pin is not pulled low if corresponding interrupt status bit is set.    |
| UNUSED      | 7 to 6 | —   | —       | Unused  |



## Power management integrated circuit (PMIC) for low power application processors

Table 107. Register ONKEY\_INT\_SENSE0 - ADDR 0x26

| Name        | Bit    | R/W | Default | Description   |
|-------------|--------|-----|---------|---|
| ONKEY_PUSHS | 0      | R   | 0       | Push interrupt sense<br><b>0</b> — ONKEY not pushed low. This bit follows debounced version of the ONKEY button being released.<br><b>1</b> — ONKEY pushed low. This follows the ONKEY button after the debounce circuit (debounce is programmable).  |
| ONKEY_1SS   | 1      | R   | 0       | 1 s interrupt sense or cleared after ONKEY button is released<br><b>0</b> — ONKEY not pushed low for >1 s or cleared after ONKEY button is released.<br><b>1</b> — ONKEY pushed and being held low > 1 s. This bit is cleared when ONKEY_PUSHS goes back to 0 when the push-button is released. |
| ONKEY_2SS   | 2      | R   | 0       | 2 s interrupt sense or cleared after ONKEY button is released<br><b>0</b> — ONKEY not pushed low for >1 s or cleared after ONKEY button is released.<br><b>1</b> — ONKEY pushed and being held low > 1 s. This bit is cleared when ONKEY_PUSHS goes back to 0 when the push-button is released. |
| ONKEY_3SS   | 3      | R   | 0       | 3 s interrupt sense or cleared after ONKEY button is released<br><b>0</b> — ONKEY not pushed low for >1 s or cleared after ONKEY button is released<br><b>1</b> — ONKEY pushed and being held low > 1 s. This bit is cleared when ONKEY_PUSHS goes back to 0 when the push-button is released.  |
| ONKEY_4SS   | 4      | R   | 0       | 4 s interrupt sense or cleared after ONKEY button is released<br><b>0</b> — ONKEY not pushed low for >1 s or cleared after ONKEY button is released.<br><b>1</b> — ONKEY pushed and being held low > 1 s. This bit is cleared when ONKEY_PUSHS goes back to 0 when the push-button is released. |
| ONKEY_8SS   | 5      | R   | 0       | 8 s interrupt sense or cleared after ONKEY button is released<br><b>0</b> — ONKEY not pushed low for >1 s or cleared after ONKEY button is released.<br><b>1</b> — ONKEY pushed and being held low > 1 s. This bit is cleared when ONKEY_PUSHS goes back to 0 when the push-button is released. |
| UNUSED      | 7 to 6 | —   | —       | Unused  |

Table 108. Register MISC\_INT\_STAT0 - ADDR 0x28

| Name    | Bit | R/W                 | Default | Description   |
|---------|-----|---------------------|---------|---|
| PWRUP_I | 0   | RW1C <sup>[1]</sup> | 0       | Interrupt to indicate completion of transition from STANDBY to RUN and from SLEEP to RUN<br><b>0</b> — Interrupt cleared or has not occurred<br><b>1</b> — Interrupt has occurred |
| PWRDN_I | 1   | RW1C                | 0       | Interrupt to indicate completion of transition from RUN to STANDBY and from RUN to SLEEP<br><b>0</b> — Interrupt cleared or has not occurred<br><b>1</b> — Interrupt has occurred |
| PWRON_I | 2   | RW1C                | 0       | Power on button event interrupt<br><b>0</b> — Interrupt cleared or has not occurred<br><b>1</b> — Interrupt has occurred  |

## Power management integrated circuit (PMIC) for low power application processors

Table 108. Register MISC\_INT\_STAT0 - ADDR 0x28...continued

| Name           | Bit    | R/W  | Default | Description   |
|----------------|--------|------|---------|---|
| LOW_SYS_WARN_I | 3      | RW1C | 0       | LOW_SYS_WARN threshold crossed interrupt<br>0 — Interrupt cleared or has not occurred<br>1 — Interrupt has occurred |
| SYS_OVLO_I     | 4      | RW1C | 0       | SYS_OVLO threshold crossed interrupt<br>0 — Interrupt cleared or has not occurred<br>1 — Interrupt has occurred     |
| UNUSED         | 7 to 5 | —    | —       | Unused  |

[1] Read or Write 1 to clear the bit

Table 109. Register MISC\_INT\_MASK0- ADDR 0x29

| Name           | Bit    | R/W               | Default | Description   |
|----------------|--------|-------------------|---------|---|
| PWRUP_M        | 0      | RW <sup>[1]</sup> | 1       | Mask for Interrupt to indicate completion on transition from STANDBY to RUN and from SLEEP to RUN<br>0 — Mask removed. INTB pin is pulled low if corresponding interrupt status bit is set.<br>1 — Mask enabled. INTB pin is not pulled low if corresponding interrupt status bit is set. |
| PWRDN_M        | 1      | RW                | 1       | Mask for Interrupt to indicate completion on transition from RUN to STANDBY and from RUN to SLEEP<br>0 — Mask removed. INTB pin is pulled low if corresponding interrupt status bit is set.<br>1 — Mask enabled. INTB pin is not pulled low if corresponding interrupt status bit is set. |
| PWRON_M        | 2      | RW                | 1       | Power on button event interrupt mask<br>0 — Mask removed. INTB pin is pulled low if corresponding interrupt status bit is set.<br>1 — Mask enabled. INTB pin is not pulled low if corresponding interrupt status bit is set.  |
| LOW_SYS_WARN_M | 3      | RW                | 1       | LOW_SYS_WARN threshold crossed interrupt mask<br>0 — Mask removed. INTB pin is pulled low if corresponding interrupt status bit is set.<br>1 — Mask enabled. INTB pin is not pulled low if corresponding interrupt status bit is set.   |
| SYS_OVLO_M     | 4      | RW                | 1       | SYS_OVLO threshold crossed interrupt mask<br>0 — Mask removed. INTB pin is pulled low if corresponding interrupt status bit is set.<br>1 — Mask enabled. INTB pin is not pulled low if corresponding interrupt status bit is set.   |
| UNUSED         | 7 to 5 | —                 | —       | Unused  |

[1] Asynchronous Set, Read, and Write

Table 110. Register MISC\_INT\_SENSE0 - ADDR 0x2A

| Name    | Bit | R/W | Default | Description  |
|---------|-----|-----|---------|--|
| PWRUP_S | 0   | R   | 0       | Sense for interrupt to indicate completion on transition from STANDBY to RUN and from SLEEP to RUN<br>0 — Transition not in progress<br>1 — Transition in progress |

Table 110. Register MISC\_INT\_SENSE0 - ADDR 0x2A...continued

| Name           | Bit    | R/W | Default | Description  |
|----------------|--------|-----|---------|--|
| PWRDN_S        | 1      | R   | 0       | Interrupt to indicate completion on transition from RUN to STANDBY and from RUN to SLEEP<br><b>0</b> — Transition not in progress<br><b>1</b> — Transition in progress |
| PWRON_S        | 2      | R   | 0       | Power on button event interrupt sense<br><b>0</b> — PWRON low<br><b>1</b> — PWRON high   |
| LOW_SYS_WARN_S | 3      | R   | 0       | LOW_SYS_WARN threshold crossed interrupt sense<br><b>0</b> — SYS > LOW_SYS_WARN<br><b>1</b> — SYS < LOW_SYS_WARN   |
| SYS_OVLO_S     | 4      | R   | 0       | SYS_OVLO threshold crossed interrupt sense<br><b>0</b> — SYS < SYS_OVLO<br><b>1</b> — SYS > SYS_OVLO   |
| UNUSED         | 7 to 5 | —   | —       | Unused   |

Table 111. Register COINCELL\_CONTROL - ADDR 0x30

| Name     | Bit    | R/W | Default | Description   |
|----------|--------|-----|---------|---|
| VCOIN    | 3 to 0 | RW  | 0000    | Coin cell charger charging voltage<br><b>0000</b> — 1.8 V<br><b>0111</b> — 3.3 V (goes up in 100 mV step per LSB) |
| COINCHEN | 4      | RW  | 0       | Coin cell charger enable<br><b>0</b> — Charger disabled<br><b>1</b> — Charger enabled                             |
| UNUSED   | 7 to 5 | —   | —       | Unused  |

Table 112. Register SW1\_VOLT - ADDR 0x32

| Name     | Bit    | R/W                 | Default | Description   |
|----------|--------|---------------------|---------|---|
| SW1_VOLT | 5 to 0 | RW1S <sup>[1]</sup> | —       | SW1 voltage setting register (Run mode)<br><b>000000</b> — See <a href="#">Table 31</a> for voltage settings<br><b>111111</b> — See <a href="#">Table 31</a> for voltage settings<br><b>Reset condition</b> — POR |
| UNUSED   | 7 to 5 | —                   | —       | Unused  |

[1] Load from OTP fuse, Read, and Write

Table 113. Register SW1\_STBY\_VOLT - ADDR 0x33

| Name          | Bit    | R/W                 | Default | Description   |
|---------------|--------|---------------------|---------|---|
| SW1_STBY_VOLT | 5 to 0 | RW1S <sup>[1]</sup> | —       | SW1 output voltage setting register (Standby mode). The default value here should be identical to SW1_VOLT[5:0] register.<br><b>000000</b> — See <a href="#">Table 31</a> for voltage settings<br><b>111111</b> — See <a href="#">Table 31</a> for voltage settings |
| UNUSED        | 7 to 6 | —                   | —       | Unused  |

[1] Load from OTP fuse, Read, and Write

## Power management integrated circuit (PMIC) for low power application processors

Table 114. Register SW1\_SLP\_VOLT - ADDR 0x34

| Name         | Bit    | R/W                 | Default | Description   |
|--------------|--------|---------------------|---------|---|
| SW1_SLP_VOLT | 5 to 0 | RW1S <sup>[1]</sup> | —       | SW1 output voltage setting register (Sleep mode). The default value here should be identical to SW1_VOLT[5:0] register.<br><b>000000</b> — See <a href="#">Table 31</a> for voltage settings<br><b>111111</b> — See <a href="#">Table 31</a> for voltage settings |
| UNUSED       | 7 to 6 | —                   | —       | Unused  |

[1] Load from OTP fuse, Read, and Write

Table 115. Register SW1\_CTRL - ADDR 0x35

| Name            | Bit | R/W                 | Default | Description   |
|-----------------|-----|---------------------|---------|---|
| SW1_EN          | 0   | RW1S <sup>[1]</sup> | 0       | Enables buck regulator. Loaded from OTP based on the sequence settings. User can turn off regulator by clearing this bit.<br><b>0</b> — Regulator disabled in Run mode<br><b>1</b> — Regulator enabled in Run mode  |
| SW1_STBY_EN     | 1   | RW1S                | 0       | Enables buck regulator in Standby mode. User can turn off regulator by clearing this bit. The default value of this bit should be equal to the SW1_EN bit (based on OTP).<br><b>0</b> — Regulator disabled in Standby mode<br><b>1</b> — Regulator enabled in Standby mode  |
| SW1_OMODE       | 2   | RW <sup>[2]</sup>   | 0       | Enables buck regulator in Sleep mode. User can turn off regulator by clearing this bit.<br><b>0</b> — Regulator disabled in Sleep mode<br><b>1</b> — Regulator enabled in Sleep mode  |
| SW1_LPWR        | 3   | RW                  | 0       | Enables the buck to enter Low-power mode during Standby and Sleep<br><b>0</b> — Regulator not in Low-power mode<br><b>1</b> — Regulator in Low-power mode during Standby or Sleep modes   |
| SW1_DVSSPEED    | 4   | RW1S                | 0       | Controls slew rate of DVS transitions. Loaded from OTP and changeable by user after boot up. Not used when OTP_SW1_DVS_SEL = 1.<br><b>0</b> — DVS rate at 12.5 mV/2 $\mu$ s<br><b>1</b> — DVS rate at 12.5 mV/4 $\mu$ s   |
| SW1_FPWM_IN_DVS | 5   | RW                  | 0       | Enables CCM operation during DVS down<br><b>0</b> — does not force FPWM during DVS<br><b>1</b> — forces regulator to track the DVS reference while it is falling rather than relying on the load current to pull the voltage low  |
| SW1_FPWM        | 6   | RW                  | 0       | Forces buck to go into CCM mode<br><b>0</b> — Not in FPWM mode<br><b>1</b> — Forced in PWM mode irrespective of load current  |
| SW1_RDIS_ENB    | 7   | RW1S                | 0       | Controls discharge resistor on output when regulator disabled<br><b>0</b> — Enables discharge resistor on output when regulator disabled. Resistor connected at FB pin when regulator disabled to force capacitor discharge.<br><b>1</b> — Disables discharge resistor on output when regulator disabled. Resistor not connected at FB pin when regulator disabled. Relies on leakage/residue load to discharge output capacitor. |

[1] Load from OTP fuse, Read, and Write

[2] Asynchronous Set, Read, and Write

## Power management integrated circuit (PMIC) for low power application processors

Table 116. Register SW1\_SLP\_VOLT - ADDR 0x36

| Name          | Bit    | R/W                 | Default | Description   |
|---------------|--------|---------------------|---------|---|
| SW1_ILIM      | 1 to 0 | RW1S <sup>[1]</sup> | 00      | Sets current limit of SW1 regulator<br><b>00</b> — Typical current limit of 1.0 A<br><b>01</b> — Typical current limit of 1.2 A<br><b>10</b> — Typical current limit of 1.5 A<br><b>11</b> — Typical current limit of 2.0 A |
| UNUSED        | 3 to 2 | —                   | —       | Unused  |
| SW1_TMODE_SEL | 4      | RW                  | 0       | <b>0</b> — TON control<br><b>1</b> — TOFF control   |
| UNUSED        | 7 to 5 | —                   | —       | Unused  |

[1] Load from OTP fuse, Read, and Write

Table 117. Register SW2\_VOLT - ADDR 0x38

| Name     | Bit    | R/W                 | Default | Description   |
|----------|--------|---------------------|---------|---|
| SW2_VOLT | 5 to 0 | RW1S <sup>[1]</sup> | —       | SW2 voltage setting register (Run mode)<br><b>000000</b> — See <a href="#">Table 31</a> for voltage settings<br><b>111111</b> — See <a href="#">Table 31</a> for voltage settings |
| UNUSED   | 7 to 6 | —                   | —       | Unused  |

[1] Load from OTP fuse, Read, and Write

Table 118. Register SW2\_STBY\_VOLT - ADDR 0x39

| Name          | Bit    | R/W                 | Default | Description   |
|---------------|--------|---------------------|---------|---|
| SW2_STBY_VOLT | 5 to 0 | RW1S <sup>[1]</sup> | —       | SW2 output voltage setting register (Standby mode). The default value here should be identical to SW2_VOLT[5:0] register.<br><b>000000</b> — See <a href="#">Table 31</a> for voltage settings<br><b>111111</b> — See <a href="#">Table 31</a> for voltage settings |
| UNUSED        | 7 to 6 | —                   | —       | Unused  |

[1] Load from OTP fuse, Read, and Write

Table 119. Register SW2\_SLP\_VOLT - ADDR 0x3A

| Name         | Bit    | R/W                 | Default | Description   |
|--------------|--------|---------------------|---------|---|
| SW2_SLP_VOLT | 5 to 0 | RW1S <sup>[1]</sup> | —       | SW2 output voltage setting register (Sleep mode). The default value here should be identical to SW2_VOLT[5:0] register.<br><b>000000</b> — See <a href="#">Table 31</a> for voltage settings<br><b>111111</b> — See <a href="#">Table 31</a> for voltage settings |
| UNUSED       | 7 to 6 | —                   | —       | Unused  |

[1] Load from OTP fuse, Read, and Write

## Power management integrated circuit (PMIC) for low power application processors

Table 120. Register SW2\_CTRL - ADDR 0x3B

| Name            | Bit | R/W                 | Default | Description   |
|-----------------|-----|---------------------|---------|---|
| SW2_EN          | 0   | RW1S <sup>[1]</sup> | 0       | Enables buck regulator. Loaded from OTP based on the sequence settings. User can turn off regulator by clearing this bit.<br><b>0</b> — Regulator disabled in Run mode<br><b>1</b> — Regulator enabled in Run mode  |
| SW2_STBY_EN     | 1   | RW1S                | 0       | Enables buck regulator in Standby mode. User can turn off regulator by clearing this bit. The default value of this bit should be equal to the SW1_EN bit (based on OTP).<br><b>0</b> — Regulator disabled in Standby mode<br><b>1</b> — Regulator enabled in Standby mode  |
| SW2_OMODE       | 2   | RW                  | 0       | Enables buck regulator in Sleep mode. User can turn off regulator by clearing this bit.<br><b>0</b> — Regulator disabled in Sleep mode<br><b>1</b> — Regulator enabled in Sleep mode  |
| SW2_LPWR        | 3   | RW                  | 0       | Enables the buck to enter Low-power mode during Standby and Sleep modes<br><b>0</b> — Regulator not in Low-power mode<br><b>1</b> — Regulator in Low-power mode during Standby or Sleep   |
| SW2_DVSSPEED    | 4   | RW1S                | 0       | Controls slew rate of DVS transitions. Loaded from OTP and changeable by user after boot up. Not used when OTP_SW2_DVS_SEL = 1.<br><b>0</b> — DVS rate at 12.5 mV/2 $\mu$ s<br><b>1</b> — DVS rate at 12.5 mV/4 $\mu$ s   |
| SW2_FPWM_IN_DVS | 5   | RW                  | 0       | Enables CCM operation during DVS down<br><b>0</b> — does not force FPWM during DVS<br><b>1</b> — forces regulator to track the DVS reference while it is falling rather than relying on the load current to pull the voltage low  |
| SW2_FPWM        | 6   | RW                  | 0       | Forces buck to go into CCM mode<br><b>0</b> — Not in FPWM mode<br><b>1</b> — Forced in PWM mode irrespective of load current.   |
| SW2_RDIS_ENB    | 7   | RW1S                | 0       | Controls discharge resistor on output when regulator disabled<br><b>0</b> — Enables discharge resistor on output when regulator disabled. Resistor connected at FB pin when regulator disabled to force capacitor discharge.<br><b>1</b> — Disables discharge resistor on output when regulator disabled. Resistor not connected at FB pin when regulator disabled. Relies on leakage/residue load to discharge output capacitor. |

[1] Load from OTP fuse, Read, and Write

Table 121. Register SW2\_CTRL1 - ADDR 0x3C

| Name          | Bit    | R/W  | Default | Description   |
|---------------|--------|------|---------|---|
| SW2_ILIM      | 1 to 0 | RW1S | 00      | Sets current limit of SW2 regulator<br><b>00</b> — Typical current limit of 1.0 A<br><b>01</b> — Typical current limit of 1.2 A<br><b>10</b> — Typical current limit of 1.5 A<br><b>11</b> — Typical current limit of 2.0 A |
| UNUSED        | 3 to 2 | —    | —       | Unused  |
| SW2_TMODE_SEL | 4      | RW   | 0       | <b>0</b> — TON control<br><b>1</b> — TOFF control   |
| UNUSED        | 7 to 5 | —    | —       | Unused  |

## Power management integrated circuit (PMIC) for low power application processors

Table 122. Register SW3\_VOLT - ADDR 0x3E

| Name     | Bit    | R/W  | Default | Description   |
|----------|--------|------|---------|---|
| SW3_VOLT | 3 to 0 | RW1S | —       | SW3 voltage setting register (Run mode). Loaded from fuses. Read only because DVS is not supported in this regulator.<br><b>0000</b> — See <a href="#">Table 37</a> for voltage settings<br><b>1111</b> — See <a href="#">Table 37</a> for voltage settings |
| UNUSED   | 7 to 4 | —    | —       | Unused  |

Table 123. Register SW3\_STBY\_VOLT - ADDR 0x3F

| Name          | Bit    | R/W  | Default | Description   |
|---------------|--------|------|---------|---|
| SW3_STBY_VOLT | 3 to 0 | RW1S | —       | SW3 voltage setting register (Standby mode). Loaded from fuses. Read only because DVS is not supported in this regulator.<br><b>0000</b> — See <a href="#">Table 37</a> for voltage settings<br><b>1111</b> — See <a href="#">Table 37</a> for voltage settings |
| UNUSED        | 7 to 4 | —    | —       | Unused  |

Table 124. Register SW3\_SLP\_VOLT - ADDR 0x40

| Name         | Bit    | R/W  | Default | Description   |
|--------------|--------|------|---------|---|
| SW3_SLP_VOLT | 3 to 0 | RW1S | —       | SW3 voltage setting register (Sleep mode). Loaded from fuses. Read only because DVS is not supported in this regulator.<br><b>0000</b> — See <a href="#">Table 37</a> for voltage settings<br><b>1111</b> — See <a href="#">Table 37</a> for voltage settings |
| UNUSED       | 7 to 4 | —    | —       | Unused  |

Table 125. Register SW3\_CTRL - ADDR 0x41

| Name        | Bit | R/W  | Default | Description  |
|-------------|-----|------|---------|--|
| SW3_EN      | 0   | RW1S | 0       | Enables buck regulator. Loaded from OTP based on the sequence settings. User can turn off regulator by clearing this bit.<br><b>0</b> — Regulator disabled in Run mode<br><b>1</b> — Regulator enabled in Run mode   |
| SW3_STBY_EN | 1   | RW1S | 0       | Enables buck regulator in Standby mode. User can turn off regulator by clearing this bit. The default value of this bit should be equal to the SW1_EN bit (based on OTP).<br><b>0</b> — Regulator disabled in Standby mode<br><b>1</b> — Regulator enabled in Standby mode |
| SW3_OMODE   | 2   | RW   | 0       | Enables buck regulator in Sleep mode. User can turn off regulator by clearing this bit.<br><b>0</b> — Regulator disabled in Sleep mode<br><b>1</b> — Regulator enabled in Sleep mode   |
| SW3_LPWR    | 3   | RW   | 0       | Enables the buck to enter Low-power mode during Standby and Sleep modes<br><b>0</b> — Regulator not in Low-power mode<br><b>1</b> — Regulator in Low-power mode while in Standby or Sleep  |
| UNUSED      | 4   | —    | —       | Unused   |
| UNUSED      | 5   | —    | —       | Unused   |

## Power management integrated circuit (PMIC) for low power application processors

Table 125. Register SW3\_CTRL - ADDR 0x41...continued

| Name         | Bit | R/W  | Default | Description   |
|--------------|-----|------|---------|---|
| SW3_FPWM     | 6   | RW   | 0       | Forces buck to go into CCM mode<br><b>0</b> — Not in FPWM mode<br><b>1</b> — Forced in PWM mode irrespective of load current  |
| SW3_RDIS_ENB | 7   | RW1S | 0       | Controls discharge resistor on output when regulator disabled<br><b>0</b> — Enables discharge resistor on output when regulator disabled. Resistor connected at FB pin when regulator disabled to force capacitor discharge.<br><b>1</b> — Disables discharge resistor on output when regulator disabled. Resistor not connected at FB pin when regulator disabled. Relies on leakage/residue load to discharge output capacitor. |

Table 126. Register SW3\_CTRL1 - ADDR 0x42

| Name          | Bit    | R/W  | Default | Description   |
|---------------|--------|------|---------|---|
| SW3_ILIM      | 1 to 0 | RW1S | 00      | Sets current limit of SW3 regulator<br><b>00</b> — Typical current limit of 1.0 A<br><b>01</b> — Typical current limit of 1.2 A<br><b>10</b> — Typical current limit of 1.5 A<br><b>11</b> — Typical current limit of 2.0 A |
| UNUSED        | 3 to 2 | —    | —       | Unused  |
| SW3_TMODE_SEL | 4      | RW   | 0       | <b>0</b> — TON control<br><b>1</b> — TOFF control   |
| UNUSED        | 7 to 5 | —    | —       | Unused  |

Table 127. Register VSNVS\_CTRL - ADDR 0x48

| Name       | Bit    | R/W  | Default | Description  |
|------------|--------|------|---------|--|
| VSNVS_VOLT | 2 to 0 | RW1S | 000     | Not used in PF1550. Placeholder for future products.   |
| CLKPULSE   | 3      | RW   | 0       | Optional bit used for evaluation (see IP block)  |
| FORCEBOS   | 4      | RW   | 0       | Optional bit for evaluation<br><b>0</b> — BOS circuit activated only when VSYS < UVDET<br><b>1</b> — Forces best of supply circuit irrespective of UVDET   |
| LIBGDIS    | 5      | RW   | 0       | Use to reduce quiescent current in coin cell mode<br><b>0</b> — VSNVS local band gap enabled in coin cell mode<br><b>1</b> — VSNVS local band gap disabled in coin cell mode to save quiescent current |
| UNUSED     | 7 to 6 | —    | —       | Unused   |

Table 128. Register VREFDDR\_CTRL - ADDR 0x4A

| Name       | Bit | R/W  | Default | Description   |
|------------|-----|------|---------|---|
| VREFDDR_EN | 0   | RW1S | 0       | <b>0</b> — Disables VREFDDR regulator<br><b>1</b> — Enables VREFDDR regulator. This is set by the OTP sequence. |



## Power management integrated circuit (PMIC) for low power application processors

Table 128. Register VREFDDR\_CTRL - ADDR 0x4A...continued

| Name            | Bit    | R/W  | Default | Description  |
|-----------------|--------|------|---------|--|
| VREFDDR_STBY_EN | 1      | RW1S | 0       | The default value for this should be same as VREFDDREN<br><b>0</b> — Disables VREFDDR regulator in Standby mode<br><b>1</b> — Enables VREFDDR regulator in Standby mode if VREFDDREN = 1 |
| VREFDDR_OMODE   | 2      | RW   | 0       | <b>0</b> — Keeps VREFDDR off in Off mode<br><b>1</b> — Enables VREFDDR in Sleep mode if VREFDDREN = 1  |
| VREFDDR_LPWR    | 3      | RW   | 0       | <b>0</b> — Disables VREFDDR Low-power mode<br><b>1</b> — Enables VREFDDR Low-power mode  |
| UNUSED          | 7 to 4 | —    | —       | Unused   |

Table 129. Register LDO1\_VOLT - ADDR 0x4C

| Name      | Bit    | R/W  | Default | Description  |
|-----------|--------|------|---------|--|
| LDO1_VOLT | 4 to 0 | RW1S | —       | LDO1 output voltage setting register. Loaded from OTP.<br><b>00000</b> — See <a href="#">Table 41</a> for voltage settings<br><b>11111</b> — See <a href="#">Table 41</a> for voltage settings |
| UNUSED    | 7 to 5 | —    | —       | Unused   |

Table 130. Register LDO1\_CTRL - ADDR 0x4D

| Name          | Bit    | R/W  | Default | Description  |
|---------------|--------|------|---------|--|
| VLDO1_EN      | 0      | RW1S | 0       | Enables LDO regulator. Loaded from OTP based on the sequence settings. User can turn off regulator by clearing this bit.<br><b>0</b> — Disables regulator<br><b>1</b> — Enables regulator                    |
| VLDO1_STBY_EN | 1      | RW1S | 0       | Enables LDO in Standby mode. Default value of this bit should be same as VLDO1_EN.<br><b>0</b> — Disables regulator<br><b>1</b> — Enables regulator  |
| VLDO1_OMODE   | 2      | RW   | 0       | Enables LDO in Sleep mode<br><b>0</b> — Disables regulator<br><b>1</b> — Enables regulator   |
| VLDO1_LPWR    | 3      | RW   | 0       | Forces LDO to Low-power mode in Sleep and Standby modes<br><b>0</b> — Not in Low-power mode during Standby and Sleep<br><b>1</b> — Regulator in Low-power mode during Standby and Sleep                      |
| LDO1_LS_EN    | 4      | RW1S | 0       | This is loaded from OTP_LDOy_LS_EN and changeable from 0 to 1 on power-up. Changing from 1 to 0 is not allowed.<br><b>0</b> — Sets LDOy in LDO mode<br><b>1</b> — Sets LDOy to a load switch (fully on) mode |
| UNUSED        | 7 to 5 | —    | —       | Unused   |

Table 131. Register LDO2\_VOLT - ADDR 0x4F

| Name      | Bit    | R/W  | Default | Description  |
|-----------|--------|------|---------|--|
| LDO2_VOLT | 3 to 0 | RW1S | —       | LDO2 output voltage setting register. Loaded from OTP.<br><b>0000</b> — See <a href="#">Table 43</a> for voltage settings<br><b>1111</b> — See <a href="#">Table 43</a> for voltage settings |

## Power management integrated circuit (PMIC) for low power application processors

Table 131. Register LDO2\_VOLT - ADDR 0x4F...continued

| Name   | Bit    | R/W | Default | Description |
|--------|--------|-----|---------|-------------|
| UNUSED | 7 to 4 | —   | —       | Unused      |

Table 132. Register LDO2\_CTRL - ADDR 0x50

| Name          | Bit    | R/W  | Default | Description   |
|---------------|--------|------|---------|---|
| VLDO2_EN      | 0      | RW1S | 0       | Enables LDO regulator. Loaded from OTP based on the sequence settings. User can turn off regulator by clearing this bit.<br><b>0</b> — Disables regulator<br><b>1</b> — Enables regulator |
| VLDO2_STBY_EN | 1      | RW1S | 0       | Enables LDO in Standby mode. Default value of this bit should be same as VLDO1_EN.<br><b>0</b> — Disables regulator<br><b>1</b> — Enables regulator                                       |
| VLDO2_OMODE   | 2      | RW   | 0       | Enables LDO in Sleep mode<br><b>0</b> — Disables regulator<br><b>1</b> — Enables regulator  |
| VLDO2_LPWR    | 3      | RW   | 0       | Forces LDO to Low-power mode in Sleep and Standby modes<br><b>0</b> — Not in Low-power mode during Standby and Sleep<br><b>1</b> — Regulator in Low-power mode during Standby and Sleep   |
| UNUSED        | 7 to 4 | —    | —       | Unused  |

Table 133. Register LDO3\_VOLT - ADDR 0x52

| Name      | Bit    | R/W  | Default | Description  |
|-----------|--------|------|---------|--|
| LDO3_VOLT | 4 to 0 | RW1S | —       | LDO3 output voltage setting register. Loaded from OTP.<br><b>00000</b> — See <a href="#">Table 41</a> for voltage settings<br><b>11111</b> — See <a href="#">Table 41</a> for voltage settings |
| UNUSED    | 7 to 5 | —    | —       | Unused   |

Table 134. Register LDO3\_CTRL - ADDR 0x53

| Name          | Bit | R/W  | Default | Description   |
|---------------|-----|------|---------|---|
| VLDO3_EN      | 0   | RW1S | 0       | Enables LDO regulator. Loaded from OTP based on the sequence settings. User can turn off regulator by clearing this bit.<br><b>0</b> — Disables regulator<br><b>1</b> — Enables regulator |
| VLDO3_STBY_EN | 1   | RW1S | 0       | Enables LDO in Standby mode. Default value of this bit should be same as VLDO1_EN.<br><b>0</b> — Disables regulator<br><b>1</b> — Enables regulator                                       |
| VLDO3_OMODE   | 2   | RW   | 0       | Enables LDO in Sleep mode<br><b>0</b> — Disables regulator<br><b>1</b> — Enables regulator  |
| VLDO3_LPWR    | 3   | RW   | 0       | Forces LDO to Low-power mode in Sleep and Standby modes<br><b>0</b> — Not in Low-power mode during Standby and Sleep<br><b>1</b> — Regulator in Low-power mode during Standby and Sleep   |

## Power management integrated circuit (PMIC) for low power application processors

Table 134. Register LDO3\_CTRL - ADDR 0x53...continued

| Name       | Bit    | R/W  | Default | Description  |
|------------|--------|------|---------|--|
| LDO3_LS_EN | 4      | RW1S | 0       | This is loaded from OTP_LDOy_LS_EN and changeable from 0 to 1 on power up. Changing from 1 to 0 is not allowed.<br><b>0</b> — sets LDOy in LDO mode<br><b>1</b> — sets LDOy to a load switch (fully on) mode |
| UNUSED     | 7 to 5 | —    | —       | Unused   |

Table 135. Register PWRCTRL0 - ADDR 0x58

| Name       | Bit    | R/W  | Default | Description  |
|------------|--------|------|---------|--|
| STANDBYDLY | 1 to 0 | RW   | 01      | Controls delay of Standby pin after synchronization<br><b>0</b> — No additional delay<br><b>1</b> — 32 kHz cycle additional delay<br><b>2</b> — 32 kHz cycle additional delay<br><b>3</b> — 32 kHz cycle additional delay  |
| STANDBYINV | 2      | RW   | 0       | Controls polarity of STANDBY pin<br><b>0</b> — Standby pin input active high<br><b>1</b> — Standby pin input active low  |
| POR_DLY    | 5 to 3 | RW1S | 000     | Controls delay of RESETBMCU pin after power up (loaded from OTP)<br><b>000</b> — RESETBMCU goes high 2 ms after last regulator<br><b>010</b> — RESETBMCU goes high 4 ms after last regulator<br><b>011</b> — RESETBMCU goes high 8 ms after last regulator<br><b>100</b> — RESETBMCU goes high 16 ms after last regulator<br><b>101</b> — RESETBMCU goes high 128 ms after last regulator<br><b>110</b> — RESETBMCU goes high 256 ms after last regulator<br><b>111</b> — RESETBMCU goes high 1024 ms after last regulator |
| TGRESET    | 7 to 6 | RW1S | 00      | Controls duration for which ONKEY has to be pushed low for a global reset (part goes to REGS_DISABLE)<br><b>00</b> — 4 s<br><b>01</b> — 8 s<br><b>10</b> — 12 s<br><b>11</b> — 16 s  |

Table 136. Register PWRCTRL1 - ADDR 0x59

| Name      | Bit    | R/W | Default | Description   |
|-----------|--------|-----|---------|---|
| PWRONDBNC | 1 to 0 | RW  | 00      | Controls debounce of PWRON when in push-button mode (PWRON_CFG = 1)<br><b>00</b> — 31.25 ms falling edge; 31.25 ms rising edge<br><b>01</b> — 31.25 ms falling edge; 31.25 ms rising edge<br><b>10</b> — 125 ms falling edge; 31.25 ms rising edge<br><b>11</b> — 750 ms falling edge; 31.25 ms rising edge |
| ONKEYDBNC | 3 to 2 | RW  | 00      | Controls debounce of ONKEY push-button<br><b>00</b> — 31.25 ms falling edge; 31.25 ms rising edge<br><b>01</b> — 31.25 ms falling edge; 31.25 ms rising edge<br><b>10</b> — 125 ms falling edge; 31.25 ms rising edge<br><b>11</b> — 750 ms falling edge; 31.25 ms rising edge                              |

## Power management integrated circuit (PMIC) for low power application processors

Table 136. Register PWRCTRL1 - ADDR 0x59...continued

| Name         | Bit | R/W | Default | Description  |
|--------------|-----|-----|---------|--|
| PWRONRSTEN   | 4   | RW  | 0       | Enables going to REGS_DISABLE or Sleep mode when PWRON_CFG = 1. See <a href="#">Section 10 "PF1550 state machine"</a> for details.<br><b>0</b> — Long press on PWRON button does not take state to REGS_DISABLE or Sleep<br><b>1</b> — Long press on PWRON button takes state to REGS_DISABLE or Sleep |
| RESTARTEN    | 5   | RW  | 0       | Enables restart of system when PWRON push-button is held low for 5 s<br><b>0</b> — No impact<br><b>1</b> — When going to REGS_DISABLE via a long press of PWRON button, holding it low for 1 more second takes state back to RUN (Equally, a 5 second push restarts the system)                        |
| REGSCPEN     | 6   | RW  | 0       | Shuts down LDO if it enters a current limit fault. Controls LDO1, LDO2, and LDO3.<br><b>0</b> — LDO does not shut down in the event of a current limit fault. Continues to current limit<br><b>1</b> — LDO is turned off when it encounters a current limit fault                                      |
| ONKEY_RST_EN | 7   | RW  | 1       | Enables turning off of system via ONKEY. See <a href="#">Section 10 "PF1550 state machine"</a> for details.<br><b>0</b> — ONKEY cannot be used to turn off or restart system<br><b>1</b> — ONKEY can be used to turn off or restart system   |

Table 137. Register PWRCTRL2 - ADDR 0x5A

| Name         | Bit    | R/W  | Default | Description   |
|--------------|--------|------|---------|---|
| UVDET        | 1 to 0 | RW1S | 00      | Sets UVDET threshold<br><b>00</b> — Rising 2.65 V; Falling 2.55 V<br><b>01</b> — Rising 2.8 V; Falling 2.7 V<br><b>10</b> — Rising 3.0 V; Falling 2.9 V<br><b>11</b> — Rising 3.1 V; Falling 3.0 V      |
| LOW_SYS_WARN | 3 to 2 | RW   | 00      | Sets LOW_SYS_WARN threshold<br><b>00</b> — Rising 3.3 V; Falling 3.1 V<br><b>01</b> — Rising 3.5 V; Falling 3.3 V<br><b>10</b> — Rising 3.7 V; Falling 3.5 V<br><b>11</b> — Rising 3.9 V; Falling 3.7 V |
| UNUSED       | 7 to 4 | —    | —       | Unused  |

Table 138. Register PWRCTRL3 - ADDR 0x5B

| Name          | Bit    | R/W | Default | Description  |
|---------------|--------|-----|---------|--|
| GOTO_SHIP     | 0      | RW  | 0       | Set this bit to go to SHIP mode from any state. See <a href="#">Section 10 "PF1550 state machine"</a> for details.<br><b>0</b> — No impact<br><b>1</b> — PF1550 enters SHIP mode |
| GOTO_CORE_OFF | 1      | RW  | 0       | Set this bit to go to CORE_OFF mode once in REGS_DISABLE state<br><b>0</b> — No impact<br><b>1</b> — PF1550 enters CORE_OFF mode when in REGS_DISABLE state                      |
| UNUSED        | 7 to 2 | —   | —       | Unused   |

## Power management integrated circuit (PMIC) for low power application processors

Table 139. Register SW1\_PWRDN\_SEQ - ADDR 0x5F

| Name          | Bit    | R/W  | Default | Description  |
|---------------|--------|------|---------|--|
| SW1_PWRDN_SEQ | 2 to 0 | RW1S | 000     | <p>This contains same value as power-up sequence value by default. Power-up sequence is in mirror registers.</p> <p>xxx = The power-down sequencer performs the function opposite to the power-up sequencer. Each regulator has an associated register setting (SW1_PWRDN_SEQ[2:0], SW2_PWRDN_SEQ[2:0], SW3_PWRDN_SEQ[2:0], LDO1_PWRDN_SEQ[2:0], LDO2_PWRDN_SEQ[2:0], LDO3_PWRDN_SEQ[2:0], VREFDDR_PWRDN_SEQ[2:0]) that sets its power-down sequence. The default setting of the above registers is equal to the corresponding power-up sequence setting. For example, SW1_PWRDN_SEQ[2:0] = OTP_SW1_PWRUP_SEQ[2:0].</p> <p>When the power-down sequencer is activated, regulators are turned off one by one in the descending order of the XXX_PWRDN_SEQ[2:0] setting. This way, by default, power-down is a mirror of the power-up sequence. In one of the "System On" states, the processor can change the values of the XXX_PWRDN_SEQ[2:0] registers. The power-up sequence is fixed by OTP (or TBB). If all XXX_PWRDN_SEQ[2:0] = 0x00, the power-down sequencer is bypassed and all the regulators are turned off at once.</p> |
| UNUSED        | 7 to 3 | —    | —       | Unused   |

Table 140. Register SW2\_PWRDN\_SEQ - ADDR 0x60

| Name          | Bit    | R/W  | Default | Description  |
|---------------|--------|------|---------|--|
| SW2_PWRDN_SEQ | 2 to 0 | RW1S | 000     | <p>This contains same value as power-up sequence value by default. Power-up sequence is in mirror registers.</p> <p>xxx = The power-down sequencer performs the function opposite to the power-up sequencer. Each regulator has an associated register setting (SW1_PWRDN_SEQ[2:0], SW2_PWRDN_SEQ[2:0], SW3_PWRDN_SEQ[2:0], LDO1_PWRDN_SEQ[2:0], LDO2_PWRDN_SEQ[2:0], LDO3_PWRDN_SEQ[2:0], VREFDDR_PWRDN_SEQ[2:0]) that sets its power-down sequence. The default setting of the above registers is equal to the corresponding power-up sequence setting. For example, SW1_PWRDN_SEQ[2:0] = OTP_SW1_PWRUP_SEQ[2:0].</p> <p>When the power-down sequencer is activated, regulators are turned off one by one in the descending order of the XXX_PWRDN_SEQ[2:0] setting. This way, by default, power-down is a mirror of the power-up sequence. In one of the "System On" states, the processor can change the values of the XXX_PWRDN_SEQ[2:0] registers. The power-up sequence is fixed by OTP (or TBB). If all XXX_PWRDN_SEQ[2:0] = 0x00, the power-down sequencer is bypassed and all the regulators are turned off at once.</p> |
| UNUSED        | 7 to 3 | —    | —       | Unused   |

Power management integrated circuit (PMIC) for low power application processors

Table 141. Register SW2\_PWRDN\_SEQ - ADDR 0x61

| Name          | Bit    | R/W  | Default | Description   |
|---------------|--------|------|---------|---|
| SW3_PWRDN_SEQ | 2 to 0 | RW1S | 000     | This contains same value as power-up sequence value by default. Power-up sequence is in mirror registers.<br>xxx = The power-down sequencer performs the function opposite to the power-up sequencer. Each regulator has an associated register setting (SW1_PWRDN_SEQ[2:0], SW2_PWRDN_SEQ[2:0], SW3_PWRDN_SEQ[2:0], LDO1_PWRDN_SEQ[2:0], LDO2_PWRDN_SEQ[2:0], LDO3_PWRDN_SEQ[2:0], VREFDDR_PWRDN_SEQ[2:0]) that sets its power-down sequence. The default setting of the above registers is equal to the corresponding power-up sequence setting. For example, SW1_PWRDN_SEQ[2:0] = OTP_SW1_PWRUP_SEQ[2:0].<br>When the power-down sequencer is activated, regulators are turned off one by one in the descending order of the XXX_PWRDN_SEQ[2:0] setting. This way, by default, power-down is a mirror of the power-up sequence. In one of the "System On" states, the processor can change the values of the XXX_PWRDN_SEQ[2:0] registers. The power-up sequence is fixed by OTP (or TBB). If all XXX_PWRDN_SEQ[2:0] = 0x00, the power-down sequencer is bypassed and all the regulators are turned off at once. |
| UNUSED        | 7 to 3 | —    | —       | Unused  |

Table 142. Register LDO1\_PWRDN\_SEQ - ADDR 0x62

| Name           | Bit    | R/W  | Default | Description   |
|----------------|--------|------|---------|---|
| LDO1_PWRDN_SEQ | 2 to 0 | RW1S | 000     | This contains same value as power-up sequence value by default. Power-up sequence is in mirror registers.<br>xxx = The power-down sequencer performs the function opposite to the power-up sequencer. Each regulator has an associated register setting (SW1_PWRDN_SEQ[2:0], SW2_PWRDN_SEQ[2:0], SW3_PWRDN_SEQ[2:0], LDO1_PWRDN_SEQ[2:0], LDO2_PWRDN_SEQ[2:0], LDO3_PWRDN_SEQ[2:0], VREFDDR_PWRDN_SEQ[2:0]) that sets its power-down sequence. The default setting of the above registers is equal to the corresponding power-up sequence setting. For example, SW1_PWRDN_SEQ[2:0] = OTP_SW1_PWRUP_SEQ[2:0].<br>When the power-down sequencer is activated, regulators are turned off one by one in the descending order of the XXX_PWRDN_SEQ[2:0] setting. This way, by default, power-down is a mirror of the power-up sequence. In one of the "System On" states, the processor can change the values of the XXX_PWRDN_SEQ[2:0] registers. The power-up sequence is fixed by OTP (or TBB). If all XXX_PWRDN_SEQ[2:0] = 0x00, the power-down sequencer is bypassed and all the regulators are turned off at once. |
| UNUSED         | 7 to 3 | —    | —       | Unused  |

Power management integrated circuit (PMIC) for low power application processors

Table 143. Register LDO2\_PWRDN\_SEQ - ADDR 0x63

| Name           | Bit    | R/W  | Default | Description   |
|----------------|--------|------|---------|---|
| LDO2_PWRDN_SEQ | 2 to 0 | RW1S | 000     | This contains same value as power-up sequence value by default. Power-up sequence is in mirror registers.<br>xxx = The power-down sequencer performs the functional opposite to the power-up sequencer. Each regulator has an associated register setting (SW1_PWRDN_SEQ[2:0], SW2_PWRDN_SEQ[2:0], SW3_PWRDN_SEQ[2:0], LDO1_PWRDN_SEQ[2:0], LDO2_PWRDN_SEQ[2:0], LDO3_PWRDN_SEQ[2:0], VREFDDR_PWRDN_SEQ[2:0]) that sets its power-down sequence. The default setting of the above registers is equal to the corresponding power-up sequence setting. For example, SW1_PWRDN_SEQ[2:0] = OTP_SW1_PWRUP_SEQ[2:0].<br>When the power-down sequencer is activated, regulators are turned off one by one in the descending order of the XXX_PWRDN_SEQ[2:0] setting. This way, by default, power-down is a mirror of the power-up sequence. In one of the "System On" states, the processor can change the values of the XXX_PWRDN_SEQ[2:0] registers. The power-up sequence is fixed by OTP (or TBB). If all XXX_PWRDN_SEQ[2:0] = 0x00, the power-down sequencer is bypassed and all the regulators are turned off at once. |
| UNUSED         | 7 to 3 | —    | —       | Unused  |

Table 144. Register LDO3\_PWRDN\_SEQ - ADDR 0x64

| Name           | Bit    | R/W  | Default | Description   |
|----------------|--------|------|---------|---|
| LDO3_PWRDN_SEQ | 2 to 0 | RW1S | 000     | This contains same value as power-up sequence value by default. Power-up sequence is in mirror registers.<br>xxx = The power-down sequencer performs the function opposite to the power-up sequencer. Each regulator has an associated register setting (SW1_PWRDN_SEQ[2:0], SW2_PWRDN_SEQ[2:0], SW3_PWRDN_SEQ[2:0], LDO1_PWRDN_SEQ[2:0], LDO2_PWRDN_SEQ[2:0], LDO3_PWRDN_SEQ[2:0], VREFDDR_PWRDN_SEQ[2:0]) that sets its power-down sequence. The default setting of the above registers is equal to the corresponding power-up sequence setting. For example, SW1_PWRDN_SEQ[2:0] = OTP_SW1_PWRUP_SEQ[2:0].<br>When the power-down sequencer is activated, regulators are turned off one by one in the descending order of the XXX_PWRDN_SEQ[2:0] setting. This way, by default, power-down is a mirror of the power-up sequence. In one of the "System On" states, the processor can change the values of the XXX_PWRDN_SEQ[2:0] registers. The power-up sequence is fixed by OTP (or TBB). If all XXX_PWRDN_SEQ[2:0] = 0x00, the power-down sequencer is bypassed and all the regulators are turned off at once. |
| UNUSED         | 7 to 3 | —    | —       | Unused  |

## Power management integrated circuit (PMIC) for low power application processors

Table 145. Register VREFDDR\_PWRDN\_SEQ - ADDR 0x65

| Name              | Bit    | R/W  | Default | Description   |
|-------------------|--------|------|---------|---|
| VREFDDR_PWRDN_SEQ | 2 to 0 | RW1S | 000     | This contains same value as power-up sequence value by default. Power-up sequence is in mirror registers.<br>xxx = The power-down sequencer performs the function opposite to the power-up sequencer. Each regulator has an associated register setting (SW1_PWRDN_SEQ[2:0], SW2_PWRDN_SEQ[2:0], SW3_PWRDN_SEQ[2:0], LDO1_PWRDN_SEQ[2:0], LDO2_PWRDN_SEQ[2:0], LDO3_PWRDN_SEQ[2:0], VREFDDR_PWRDN_SEQ[2:0]) that sets its power-down sequence. The default setting of the above registers is equal to the corresponding power-up sequence setting. For example, SW1_PWRDN_SEQ[2:0] = OTP_SW1_PWRUP_SEQ[2:0].<br>When the power-down sequencer is activated, regulators are turned off one by one in the descending order of the XXX_PWRDN_SEQ[2:0] setting. This way, by default, power-down is a mirror of the power-up sequence. In one of the "System On" states, the processor can change the values of the XXX_PWRDN_SEQ[2:0] registers. The power-up sequence is fixed by OTP (or TBB). If all XXX_PWRDN_SEQ[2:0] = 0x00, the power-down sequencer is bypassed and all the regulators are turned off at once. |
| UNUSED            | 7 to 3 | —    | —       | Unused  |

Table 146. Register STATE\_INFO - ADDR 0x67

| Name   | Bit    | R/W | Default | Description   |
|--------|--------|-----|---------|---|
| STATE  | 5 to 0 | R   | 000000  | Indicates machine state<br><b>000000</b> — Wait status<br><b>001100</b> — RUN state<br><b>001101</b> — STANDBY state<br><b>001110</b> — SLEEP/LPSR state<br><b>101011</b> — REGS_DISABLE state<br>Other bits are reserved |
| UNUSED | 7 to 6 | —   | —       | Unused  |

Table 147. Register I2C\_ADDR - ADDR 0x68

| Name                 | Bit    | R/W | Default | Description   |
|----------------------|--------|-----|---------|---|
| I2C_SLAVE_ADDR_L SBS | 2 to 0 | R   | 000     | Loaded from fuses. But read only in functional space.<br><b>000</b> — Slave Address: 0x08<br><b>001</b> — Slave Address: 0x09<br><b>010</b> — Slave Address: 0x0A<br><b>011</b> — Slave Address: 0x0B<br><b>100</b> — Slave Address: 0x0C<br><b>101</b> — Slave Address: 0x0D<br><b>110</b> — Slave Address: 0x0E<br><b>111</b> — Slave Address: 0x0F |
| USE_DEFAULT_ADDR     | 7      | RW  | 0       | DEFAULT ADDR  |



## Power management integrated circuit (PMIC) for low power application processors

Table 148. Register RC\_16MHZ - ADDR 0x6B

| Name            | Bit    | R/W | Default | Description   |
|-----------------|--------|-----|---------|---|
| REQ_16MHZ       | 0      | RW  | 0       | Enables 16 MHz clock<br>0 — 16 MHz clock enable controlled by state machine<br>1 — 16 MHz clock always enabled                                      |
| REQ_ACORE_ON    | 1      | RW  | 0       | Controls Analog core enable<br>0 — Analog core enable controlled by state machine<br>1 — Analog core always on                                      |
| REQ_ACORE_HIPWR | 2      | RW  | 0       | Controls Low-power mode of the analog core<br>0 — Analog core Low-power mode controlled by state machine<br>1 — Analog core never in Low-power mode |
| UNUSED          | 7 to 3 | —   | —       | Unused  |

Table 149. Register KEY1 - ADDR 0x6B

| Name | Bit    | R/W | Default | Description |
|------|--------|-----|---------|-------------|
| KEY1 | 7 to 0 | RW  | 0x00    | Unused      |

## 12.2 Specific Charger Registers (Offset is 0x80)

Table 150. Register CHG\_INT - ADDR 0x00

| Name       | Bit | R/W                 | Default | Description   |
|------------|-----|---------------------|---------|---|
| SUP_I      | 0   | RW1S <sup>[1]</sup> | 0       | Supplement mode interrupt<br>0 — The SUP_OK bit interrupt has not occurred or been cleared<br>1 — The SUP_OK bit interrupt has occurred<br><b>Reset condition</b> — VCOREDIG_RSTB               |
| BAT2SOC_I  | 1   | RW1S                | 0       | VBATT to VSYS overcurrent interrupt<br>0 — The BAT2SOC_OK interrupt has not occurred or been cleared<br>1 — The BAT2SOC_OK bit interrupt has occurred<br><b>Reset condition</b> — VCOREDIG_RSTB |
| BAT_I      | 2   | RW1S                | 0       | Battery interrupt<br>0 — The BAT_OK interrupt has not occurred or been cleared<br>1 — The BAT_OK interrupt has occurred<br><b>Reset condition</b> — VCOREDIG_RSTB                               |
| CHG_I      | 3   | RW1S                | 0       | Charger interrupt<br>0 — The CHG_OK interrupt has not occurred or been cleared<br>1 — The CHG_OK interrupt has occurred<br><b>Reset condition</b> — VCOREDIG_RSTB                               |
| RSVD4      | 4   | RW1S                | 0       | Unused  |
| VBUS_I     | 5   | RW1S                | 0       | VBUS interrupt<br>0 — The VBUS_OK interrupt has not occurred or been cleared<br>1 — The VBUS_OK interrupt has occurred<br><b>Reset condition</b> — VCOREDIG_RSTB                                |
| VBUS_DPM_I | 6   | RW1S                | 0       | VBUS_DPM interrupt<br>0 — The VBUS_DPM_OK interrupt has not occurred or been cleared<br>1 — The VBUS_DPM_OK interrupt has occurred<br><b>Reset condition</b> — VCOREDIG_RSTB                    |

## Power management integrated circuit (PMIC) for low power application processors

Table 150. Register CHG\_INT - ADDR 0x00...continued

| Name  | Bit | R/W  | Default | Description  |
|-------|-----|------|---------|--|
| THM_I | 7   | RW1S | 0       | <p>THM interrupt. Occurs when Warm/Cool thresholds are crossed or when thermal foldback is active. After the interrupt has occurred, THM_OK bit can be read to know the source of the interrupt.</p> <p>If THM_OK = 0, warm/cool thresholds are crossed<br/>           If THM_OK = 1, thermal foldback is active</p> <p><b>0</b> — THM interrupt has not occurred or has been cleared<br/> <b>1</b> — THM interrupt has occurred</p> <p><b>Reset condition</b> — VCOREDIG_RSTB</p> |

[1] Load from OTP fuse, Read, and Write

Table 151. Register CHG\_INT\_MASK - ADDR 0x02

| Name       | Bit | R/W | Default | Description   |
|------------|-----|-----|---------|---|
| SUP_M      | 0   | RW  | 1       | <p>Supplement mode interrupt mask</p> <p><b>0</b> — Unmasked<br/> <b>1</b> — Masked</p> <p><b>Reset condition</b> — VCOREDIG_RSTB</p>           |
| BAT2SOC_M  | 1   | RW  | 1       | <p>VBATT to VSYS overcurrent interrupt mask</p> <p><b>0</b> — Unmasked<br/> <b>1</b> — Masked</p> <p><b>Reset condition</b> — VCOREDIG_RSTB</p> |
| BAT_M      | 2   | RW  | 1       | <p>Battery interrupt mask</p> <p><b>0</b> — Unmasked<br/> <b>1</b> — Masked</p> <p><b>Reset condition</b> — VCOREDIG_RSTB</p>                   |
| CHG_M      | 3   | RW  | 1       | <p>Charger interrupt mask</p> <p><b>0</b> — Unmasked<br/> <b>1</b> — Masked</p> <p><b>Reset condition</b> — VCOREDIG_RSTB</p>                   |
| RSVD4      | 4   | RW  | 1       | Unused  |
| VBUS_M     | 5   | RW  | 1       | <p>VBUS interrupt mask</p> <p><b>0</b> — Unmasked<br/> <b>1</b> — Masked</p> <p><b>Reset condition</b> — VCOREDIG_RSTB</p>                      |
| VBUS_DPM_M | 6   | RW  | 1       | <p>VBUS_DPM interrupt mask</p> <p><b>0</b> — Unmasked<br/> <b>1</b> — Masked</p> <p><b>Reset condition</b> — VCOREDIG_RSTB</p>                  |
| THM_M      | 7   | RW  | 1       | <p>THM interrupt mask</p> <p><b>0</b> — Unmasked<br/> <b>1</b> — Masked</p> <p><b>Reset condition</b> — VCOREDIG_RSTB</p>                       |

## Power management integrated circuit (PMIC) for low power application processors

Table 152. Register CHG\_INT\_OK - ADDR 0x04

| Name        | Bit | R/W | Default | Description   |
|-------------|-----|-----|---------|---|
| SUP_OK      | 0   | R   | 0       | Supplement mode indicator<br><b>0</b> — Supplement mode not detected<br><b>1</b> — Supplement mode detected<br><b>Reset condition</b> — VCOREDIG_RSTB   |
| BAT2SOC_OK  | 1   | R   | 0       | Single-bit battery overcurrent indicator<br><b>0</b> — Battery to VSYS has not hit overcurrent limit<br><b>1</b> — Battery to VSYS has hit overcurrent limit (BATTOC_SNS bit = 1)<br><b>Reset condition</b> — VCOREDIG_RSTB   |
| BAT_OK      | 2   | R   | 1       | Single-bit battery status indicator. See BATT_SNS for more information.<br><b>0</b> — The battery has an issue or the charger has been suspended, for example, BATT_SNS = 0x02 or 0x05 or 0x06<br><b>1</b> — The battery is okay, for example, BATT_SNS ≠ 0x02 or 0x05 or 0x06<br><b>Reset condition</b> — VCOREDIG_RSTB  |
| CHG_OK      | 3   | R   | 0       | Single-bit charger status indicator. See CHG_SNS for more information.<br><b>Reset condition</b> — VCOREDIG_RSTB<br><b>0</b> — The charger is not charging, has suspended charging or Thermal Reg = 1, for example, CHG_SNS ≠ 0x00 or 0x01 or 0x02 or 0x03<br><b>1</b> — The charger is okay, for example, CHG_SNS = 0x00 or 0x01 or 0x02 or 0x03<br><b>Reset condition</b> — VCOREDIG_RSTB |
| RSVD4       | 4   | R   | 0       | Unused  |
| VBUS_OK     | 5   | R   | 0       | Single-bit VBUS_LIN input status indicator. See VBUS_LIN_SNS for more information.<br><b>0</b> — The VBUS_LIN input is invalid. For example, VBUS_VALID = 0.<br><b>1</b> — The VBUS_LIN input is valid. For example, VBUS_VALID = 1.<br><b>Reset condition</b> — VCOREDIG_RSTB  |
| VBUS_DPM_OK | 6   | R   | 0       | VBUS_DPM status indicator. This register provides status of input Dynamic Power Management threshold.<br><b>0</b> — Not in VBUS_DPM mode<br><b>1</b> — VBUS_DPM mode<br><b>Reset condition</b> — VCOREDIG_RSTB  |
| THM_OK      | 7   | R   | 1       | Thermistor status indicator. This register provides information on whether battery temperature is within or outside the thermistor cool/warm thresholds.<br><b>0</b> — Thermistor outside cool and warm thresholds<br><b>1</b> — Thermistor between cool and warm thresholds<br><b>Reset condition</b> — VCOREDIG_RSTB  |

Table 153. Register VBUS\_SNS - ADDR 0x06

| Name          | Bit    | R/W | Default | Description   |
|---------------|--------|-----|---------|---|
| RSVD0         | 1 to 0 | R   | 00      | Unused  |
| VBUS_UVLO_SNS | 2      | R   | 1       | <b>0</b> — VBUS_LIN > VBUS_LIN_UVLO<br><b>1</b> — VBUS_LIN < VBUS_LIN_UVLO or when VBUS is detached |

## Power management integrated circuit (PMIC) for low power application processors

Table 153. Register VBUS\_SNS - ADDR 0x06...continued

| Name            | Bit | R/W | Default | Description  |
|-----------------|-----|-----|---------|--|
| VBUS_IN2SYS_SNS | 3   | R   | 1       | <b>0</b> — VBUS_LIN > VBATT + VIN2SYS<br><b>1</b> — VBUS_LIN < VBATT + VIN2SYS   |
| VBUS_OVLO_SNS   | 4   | R   | 0       | <b>0</b> — VBUS_LIN < VBUS_LIN_OVLO<br><b>1</b> — VBUS_LIN > VBUS_LIN_OVLO   |
| VBUS_VALID      | 5   | R   | 0       | <b>0</b> — VBUS is not valid<br><b>1</b> — VBUS is valid, VBUS_LIN > VBUS_LIN_UVLO, VBUS_LIN > VBATT + VIN2SYS, VBUS_LIN < VBUS_LIN_OVLO<br><b>Reset condition</b> — VCOREDIG_RSTB |
| RSVD6           | 6   | R   | 0       | Unused   |
| VBUS_DPM_SNS    | 7   | R   | 0       | VBUS_LIN DPM sense details<br><b>0</b> — VBUS_LIN DPM threshold has not been triggered<br><b>1</b> — VBUS_LIN DPM threshold has been triggered                                     |

Table 154. Register CHG\_SNS - ADDR 0x07

| Name    | Bit    | R/W | Default | Description   |
|---------|--------|-----|---------|---|
| CHG_SNS | 3 to 0 | R   | 1000    | Charger sense<br><b>0</b> — Charger is in precharge mode, CHG_OK = 1, VBATT < V <sub>PRECHG.LB</sub> , T <sub>J</sub> < T <sub>SHDN</sub><br><b>1</b> — Charger is in fast-charge constant current mode, CHG_OK = 1, VBATT < VBATREG, T <sub>J</sub> < T <sub>SHDN</sub><br><b>2</b> — Charger is in fast-charge constant voltage mode, CHG_OK = 1, VBATT = VBATREG, T <sub>J</sub> < T <sub>SHDN</sub><br><b>3</b> — Charger is in end-of-charge mode, CHG_OK = 1, VBATT ≥ VBATREG, I <sub>BAT</sub> = I <sub>EOC</sub> , T <sub>J</sub> < T <sub>SHDN</sub><br><b>4</b> — Charger is in done mode, CHG_OK = 0, VBATT > VBATREG-VRESTART, T <sub>J</sub> < T <sub>SHDN</sub><br><b>5</b> — Reserved<br><b>6</b> — Charger is in timer fault mode, CHG_OK = 0, VBATT < V <sub>BATOV</sub> , if BATT_SNS = 0b001 then VBATT < VBATPC, T <sub>J</sub> < T <sub>SHDN</sub><br><b>7</b> — Charger is in thermistor suspend mode, CHG_OK = 0, VBATT < V <sub>BATOV</sub> , if BATT_SNS = 0b001 then VBATT < V <sub>PRECHG.LB</sub> , T <sub>J</sub> < T <sub>SHDN</sub><br><b>8</b> — Charger is off, input invalid and/or charger is disabled, CHG_OK = 0<br><b>9</b> — Battery overvoltage condition<br><b>10</b> — Charger is off and T <sub>J</sub> > T <sub>SHDN</sub> , CHG_OK = 0<br><b>11</b> — Reserved<br><b>12</b> — Charger block is in Linear only mode, not charging, CHG_OK = 0<br><b>13</b> — Reserved<br><b>14</b> — Reserved<br><b>15</b> — Reserved<br><b>Reset condition</b> — VCOREDIG_RSTB |
| RSVD4   | 4      | R   | 0       | Unused  |
| WDT_SNS | 5      | R   | 0       | Watchdog sense bit<br><b>0</b> — Watchdog timer has not expired<br><b>1</b> — Charger is off because the watchdog timer expired, CHG_OK = 0<br><b>Reset condition</b> — VCOREDIG_RSTB   |

## Power management integrated circuit (PMIC) for low power application processors

Table 154. Register CHG\_SNS - ADDR 0x07...continued

| Name     | Bit | R/W | Default | Description   |
|----------|-----|-----|---------|---|
| THM_SNS  | 6   | R   | 0       | Cool/Warm sense bit<br><b>0</b> — Thermistor temperature is between cool and warm thresholds<br><b>1</b> — Thermistor temperature is < Cool, or > Warm threshold<br><b>Reset condition</b> — VCOREDIG_RSTB  |
| TREG_SNS | 7   | R   | 0       | Temperature regulation sense<br><b>0</b> — The junction temperature is less than the threshold set by REGTEMP and the full charge current limit is available<br><b>1</b> — The junction temperature is greater than the threshold set by REGTEMP and the charge current limit may be folding back to reduce power dissipation<br><b>Reset condition</b> — VCOREDIG_RSTB |

Table 155. Register BATT\_SNS - ADDR 0x08

| Name       | Bit    | R/W | Default | Description  |
|------------|--------|-----|---------|--|
| BATT_SNS   | 2 to 0 | R   | 000     | <b>0</b> — 0x00 = No valid VBUS input<br><b>1</b> — 0x01 = VBATT < V <sub>PRECHG.LB</sub><br><b>2</b> — 0x02 = the battery cannot charge beyond the precharge threshold and charging has suspended and is in timer fault mode. This condition is also reported in the CHG_SNS as 0x06.<br><b>3</b> — Reserved<br><b>4</b> — 0x04 = V <sub>PRECHG.LB</sub> < VBATT<br><b>5</b> — 0x05 = the battery voltage is greater than the battery overvoltage flag threshold (V <sub>BATOV</sub> ). This flag is generated only when there is a valid input.<br><b>6</b> — 0x06 = battery not detected with a valid input and after system wake-up<br><b>7</b> — Reserved<br><b>Reset condition</b> — VCOREDIG_RSTB |
| RSVD3      | 4 to 3 | RW  | 00      | Unused   |
| BATTOC_SNS | 5      | R   | 0       | VBATT to VSYS overcurrent fault<br><b>0</b> — No fault<br><b>1</b> — VBATT to VSYS in high current fault<br><b>Reset condition</b> — VCOREDIG_RSTB   |
| RSVD6      | 7 to 6 | RW  | 00      | Unused   |

Table 156. Register CHG\_OPER- ADDR 0x09

| Name     | Bit    | R/W                 | Default | Description  |
|----------|--------|---------------------|---------|--|
| CHG_OPER | 1 to 0 | RW1S <sup>[1]</sup> | 01      | Charger operation configuration<br><b>0</b> — charger = off, linear = off. The BATFET switch is on to allow the battery to support the system.<br><b>1</b> — charger = off, linear = on. When there is a valid VBUS input and no battery, the linear regulator regulates the VSYS voltage to V <sub>YSYSMIN</sub> [1:0].<br><b>2</b> — charger = on, linear = on. When there is a valid input, the battery is charging. VSYS is the larger of V <sub>YSYSMIN</sub> and VBATT + I <sub>BAT</sub> * R <sub>BATFET</sub> .<br><b>3</b> — Reserved<br><b>Reset condition</b> — VCOREDIG_RSTB |
| UNUSED   | 2      | RW                  | 0       | Unused   |

## Power management integrated circuit (PMIC) for low power application processors

Table 156. Register CHG\_OPER- ADDR 0x09...continued

| Name      | Bit    | R/W | Default | Description   |
|-----------|--------|-----|---------|---|
| WDTEN     | 3      | RW  | 0       | Enable watchdog timer bit. While enabled, the system controller must reset the watchdog timer within the timer period ( $t_{WD}$ ) for the charger to operate normally. Reset the watchdog timer by programming WDTCLR = 0x01.<br><b>0</b> — Watchdog timer disabled<br><b>1</b> — Watchdog timer enabled<br><b>Reset condition</b> — VCOREDIG_RSTB |
| DISBATFET | 4      | RW  | 0       | VBATT to VSYS FET disable control<br><b>0</b> — VBATT to VSYS FET is controlled by internal state machine<br><b>1</b> — VBATT to VSYS FET is forced off<br><b>Reset condition</b> — VCOREDIG_RSTB   |
| UNUSED    | 7 to 5 | RW  | 000     | Unused  |

[1] Load from OTP fuse, Read, and Write

Table 157. Register CHG\_TMR - ADDR 0x0A

| Name     | Bit    | R/W  | Default | Description   |
|----------|--------|------|---------|---|
| FCHGTIME | 2 to 0 | RW1S | 010     | Fast-charge timer duration ( $t_{FC}$ )<br><b>0</b> — Disable<br><b>1</b> — 2 hrs<br><b>2</b> — 4 hrs<br><b>3</b> — 6 hrs<br><b>4</b> — 8 hrs<br><b>5</b> — 10 hrs<br><b>6</b> — 12 hrs<br><b>7</b> — 14 hrs<br><b>Reset condition</b> — VCOREDIG_RSTB          |
| EOCTIME  | 5 to 3 | RW1S | 001     | End-of-charge timer setting<br><b>0</b> — 0 min (16 secs debounce)<br><b>1</b> — 10 min<br><b>2</b> — 20 min<br><b>3</b> — 30 min<br><b>4</b> — 40 min<br><b>5</b> — 50 min<br><b>6</b> — 60 min<br><b>7</b> — 70 min<br><b>Reset condition</b> — VCOREDIG_RSTB |
| RSVD6    | 6      | R    | 0       | Unused  |
| TPRECHG  | 7      | RW1S | 0       | Precharge timer value. Used for low battery.<br><b>0</b> — Precharge timer value = 30 min<br><b>1</b> — Precharge timer value = 45 min<br><b>Reset condition</b> — VCOREDIG_RSTB  |

Table 158. Register CHG\_EOC\_CNFG - ADDR 0x0D

| Name           | Bit    | R/W  | Default | Description   |
|----------------|--------|------|---------|---|
| CHG_RESTART    | 1 to 0 | RW1S | 01      | Charger restart threshold<br><b>00</b> — 0x00 = 100 mV below the value programmed by CHG_CV_PRM<br><b>01</b> — 0x01 = 150 mV below the value programmed by CHG_CV_PRM<br><b>02</b> — 0x02 = 200 mV below the value programmed by CHG_CV_PRM<br><b>03</b> — 0x03 = disabled<br><b>Reset condition</b> — VCOREDIG_RSTB  |
| FORCE_BATT_ISO | 2      | RW1S | 0       | Unused  |
| EOC_EXIT       | 3      | RW1S | 0       | Unused  |
| IEOC           | 6 to 4 | RW   | 100     | End-of-charge current threshold. End-of-charge occurs during fast-charge constant voltage mode and end-of-charge current measured as battery decays to the value programmed in this register. This transition starts the end-of-charge timer ( $t_{EOC}$ ).<br><b>0</b> — 5 mA<br><b>1</b> — 10 mA<br><b>2</b> — 20 mA<br><b>3</b> — 30 mA<br><b>4</b> — 50 mA<br><b>5</b> — Reserved<br><b>6</b> — Reserved<br><b>7</b> — Reserved<br><b>Reset condition</b> — VCOREDIG_RSTB |
| EOC_MODE       | 7      | RW1S | 0       | Unused  |

Table 159. Register CHG\_CURR\_CNFG - ADDR 0x0E

| Name          | Bit    | R/W  | Default | Description  |
|---------------|--------|------|---------|--|
| CHG_CC        | 4 to 0 | RW1S | 00000   | Fast charge current selection. When the charger is enabled, the charge current limit is set by these bits. These bits range from 100 mA to 1.0 A.<br><b>0</b> — 100 mA<br><b>1</b> — 150 mA<br><b>2</b> — 200 mA<br><b>3</b> — 250 mA<br><b>4</b> — 300 mA<br><b>5</b> — 350 mA<br><b>6</b> — 400 mA<br><b>7</b> — 450 mA<br><b>8</b> — 500 mA<br><b>9</b> — 550 mA<br><b>10</b> — 600 mA<br><b>11</b> — 650 mA<br><b>12</b> — 700 mA<br><b>13</b> — 750 mA<br><b>14</b> — 800 mA<br><b>15</b> — 850 mA<br><b>16</b> — 900 mA<br><b>17</b> — 950 mA<br><b>18</b> — 1000 mA<br><b>19</b> — 1050 mA (Reserved)<br><b>20</b> — 1100 mA (Reserved)<br><b>21</b> — 1150 mA (Reserved)<br><b>22</b> — 1200 mA (Reserved)<br><b>23</b> — 1250 mA (Reserved)<br><b>24</b> — 1300 mA (Reserved)<br><b>25</b> — 1350 mA (Reserved)<br><b>26</b> — 1400 mA (Reserved)<br><b>27</b> — 1450 mA (Reserved)<br><b>28</b> — 1500 mA (Reserved)<br><b>29</b> — 1550 mA (Reserved)<br><b>30</b> — 1600 mA (Reserved)<br><b>31</b> — 1650 mA (Reserved)<br><b>Reset condition</b> — VCOREDIG_RSTB |
| PRECHGLB_THRS | 6 to 5 | RW1S | 00      | Precharge (low battery) charging voltage threshold setting<br><b>0</b> — 2.8 V<br><b>1</b> — 2.7 V (Reserved)<br><b>2</b> — 2.9 V (Reserved)<br><b>3</b> — 3.0 V (Reserved)<br><b>Reset condition</b> — VCOREDIG_RSTB  |
| RSVD7         | 7      | RW   | 0       | Reserved   |



Table 160. Register BATT\_REG - ADDR 0x0F

| Name  | Bit    | R/W  | Default | Description   |
|-------|--------|------|---------|---|
| CHGCV | 5 to 0 | RW1S | 101011  | Battery termination voltage setting<br><b>0</b> — 3.50 V<br><b>1</b> — 3.50 V<br><b>2</b> — 3.50 V<br><b>3</b> — 3.50 V<br><b>4</b> — 3.50 V<br><b>5</b> — 3.50 V<br><b>6</b> — 3.50 V<br><b>7</b> — 3.50 V<br><b>8</b> — 3.50 V<br><b>9</b> — 3.52 V<br><b>10</b> — 3.54 V<br><b>11</b> — 3.56 V<br><b>12</b> — 3.58 V<br><b>13</b> — 3.60 V<br><b>14</b> — 3.62 V<br><b>15</b> — 3.64 V<br><b>16</b> — 3.66 V<br><b>17</b> — 3.68 V<br><b>18</b> — 3.70 V<br><b>19</b> — 3.72 V<br><b>20</b> — 3.74 V<br><b>21</b> — 3.76 V<br><b>22</b> — 3.78 V<br><b>23</b> — 3.80 V<br><b>24</b> — 3.82 V<br><b>25</b> — 3.84 V<br><b>26</b> — 3.86 V<br><b>27</b> — 3.88 V<br><b>28</b> — 3.90 V<br><b>29</b> — 3.92 V<br><b>30</b> — 3.94 V<br><b>31</b> — 3.96 V<br><b>32</b> — 3.98 V<br><b>33</b> — 4.00 V<br><b>34</b> — 4.02 V<br><b>35</b> — 4.04 V<br><b>36</b> — 4.06 V<br><b>37</b> — 4.08 V<br><b>38</b> — 4.10 V<br><b>39</b> — 4.12 V<br><b>40</b> — 4.14 V<br><b>41</b> — 4.16 V<br><b>42</b> — 4.18 V<br><b>43</b> — 4.20 V<br><b>44</b> — 4.22 V<br><b>45</b> — 4.24 V<br><b>46</b> — 4.26 V |

Table 160. Register BATT\_REG - ADDR 0x0F...continued

| Name    | Bit    | R/W  | Default | Description  |
|---------|--------|------|---------|--|
|         |        |      |         | <b>47</b> — 4.28 V<br><b>48</b> — 4.30 V<br><b>49</b> — 4.32 V<br><b>50</b> — 4.34 V<br><b>51</b> — 4.36 V<br><b>52</b> — 4.38 V<br><b>53</b> — 4.40 V<br><b>54</b> — 4.42 V<br><b>55</b> — 4.44 V<br><b>56</b> — 4.44 V<br><b>57</b> — 4.44 V<br><b>58</b> — 4.44 V<br><b>59</b> — 4.44 V<br><b>60</b> — 4.44 V<br><b>61</b> — 4.44 V<br><b>62</b> — 4.44 V<br><b>63</b> — 4.44 V<br><b>Reset condition</b> — VCOREDIG_RSTB |
| VSYSMIN | 7 to 6 | RW1S | 00      | Minimum system regulation voltage ( $V_{SYS_{MIN}}$ )<br><b>0</b> — 3.5 V<br><b>1</b> — 3.7 V<br><b>2</b> — 4.3 V<br><b>3</b> — Reserved<br><b>Reset condition</b> — VCOREDIG_RSTB   |

Table 161. Register BATFET\_CNFG - ADDR 0x11

| Name            | Bit    | R/W  | Default | Description  |
|-----------------|--------|------|---------|--|
| WDTCLR          | 1 to 0 | RW   | 00      | Watchdog timer clear bits. Writing "01" to these bits clears the watchdog timer when the watchdog timer is enabled.<br><b>0</b> — The watchdog timer is not cleared<br><b>1</b> — The watchdog timer is cleared<br><b>2</b> — The watchdog timer is not cleared<br><b>3</b> — The watchdog timer is not cleared<br><b>Reset condition</b> — VCOREDIG_RSTB      |
| WD_BATFET_OFF   | 2      | RW   | 0       | Watchdog timer BATFET control<br><b>0</b> — Not used in PF1550. See WDFLT_BFET_EN bit in Fault_BATFET_CNFG register.<br><b>1</b> — Not used in PF1550. See WDFLT_BFET_EN bit in Fault_BATFET_CNFG register.<br><b>Reset condition</b> — VCOREDIG_RSTB  |
| BOVRC_DISBATFET | 3      | RW1S | 0       | Disable BATFET in case of battery overcurrent limit<br><b>0</b> — Charger controls BATFET switch; BATFET is turned off in case of battery overcurrent occurs for 16 ms (default)<br><b>1</b> — BATFET is not turned off when battery overcurrent occurs. Charger operation remains undisturbed by overcurrent event.<br><b>Reset condition</b> — VCOREDIG_RSTB |

## Power management integrated circuit (PMIC) for low power application processors

Table 161. Register BATFET\_CNFG - ADDR 0x11...continued

| Name         | Bit    | R/W  | Default | Description  |
|--------------|--------|------|---------|--|
| BATFET_OC    | 5 to 4 | RW1S | 11      | VBATT to VSYS FET overcurrent threshold, 2 bits adjustment<br><b>0</b> — Disabled<br><b>1</b> — 2.2 A typ<br><b>2</b> — 2.8 A typ<br><b>3</b> — 3.2 A typ<br><b>Reset condition</b> — VCOREDIG_RSTB  |
| WD_TIME      | 6      | RW   | 0       | Sets watchdog timer value<br><b>0</b> — 80 s<br><b>0</b> — 32 s<br><b>Reset condition</b> — VCOREDIG_RSTB  |
| BOVRC_NOVBUS | 7      | RW   | 0       | Enables/disables battery overcurrent protection when no VBUS is present<br><b>0</b> — Disables battery overcurrent protection when no VBUS is present<br><b>1</b> — Enables battery overcurrent protection when no VBUS is present<br><b>Reset condition</b> — VCOREDIG_RSTB |

Table 162. Register THM\_REG\_CNFG - ADDR 0x12

| Name     | Bit    | R/W  | Default | Description  |
|----------|--------|------|---------|--|
| THM_CNFG | 1 to 0 | RW1S | 01      | Thermistor configuration. 2 bits adjustment.<br><b>0</b> — Thermistor not in control of charger. T <sub>COOL</sub> and T <sub>WARM</sub> interrupts are still generated. Thermistor Suspend mode is not entered in this setting. CC and CV values are not altered when T <sub>COOL</sub> /cold, T <sub>WARM</sub> /hot thresholds are crossed.<br><b>1</b> — Thermistor control in charger. Charging stops when battery temperature > T <sub>HOT</sub> or < T <sub>COLD</sub> .<br><b>2</b> — JEITA 1 settings - Thermistor control in charger. Charging current and battery regulation voltage is reduced at battery temperature > T <sub>WARM</sub> and < T <sub>COOL</sub> .<br><b>3</b> — JEITA 2 settings - Thermistor control in charger. Charging current is reduced at battery temperature > T <sub>WARM</sub> and < T <sub>COOL</sub> . Charger voltage is not changed.<br><b>Reset condition</b> — VCOREDIG_RSTB |
| REGTEMP  | 3 to 2 | RW1S | 01      | Junction temperature thermal regulation loop set point. 2-bit adjustments. The charger's target current limit starts to fold back and the TREG_SNS bit is set if the junction temperature is greater than the REGTEMP set point.<br><b>0</b> — 80 °C<br><b>1</b> — 95 °C<br><b>2</b> — 110 °C<br><b>3</b> — 125 °C (Reserved)<br><b>Reset condition</b> — VCOREDIG_RSTB  |
| THM_COLD | 4      | RW1S | 0       | Thermistor cold temperature selection<br><b>0</b> — 0 °C<br><b>1</b> — -10 °C<br><b>Reset condition</b> — VCOREDIG_RSTB  |
| THM_HOT  | 5      | RW1S | 0       | Thermistor hot temperature selection<br><b>0</b> — 60 °C<br><b>1</b> — 55 °C<br><b>Reset condition</b> — VCOREDIG_RSTB   |
| RSVD6    | 6      | RW   | 0       | Unused   |

## Power management integrated circuit (PMIC) for low power application processors

Table 162. Register THM\_REG\_CNFG - ADDR 0x12...continued

| Name       | Bit | R/W  | Default | Description   |
|------------|-----|------|---------|---|
| TEMP_FB_EN | 7   | RW1S | 0       | Enable/disable thermal foldback current function<br><b>0</b> — Thermal foldback disabled<br><b>1</b> — Thermal foldback enabled<br><b>Reset condition</b> — VCOREDIG_RSTB |

Table 163. Register VBUS\_INLIM\_CNFG - ADDR 0x14

| Name          | Bit    | R/W  | Default | Description   |
|---------------|--------|------|---------|---|
| RSVD0         | 2 to 0 | RW   | 000     | Unused  |
| VBUS_LIN_ILIM | 7 to 3 | RW1S | 01101   | Maximum input current limit selection. 5-bit adjustment from 10 mA to 1500 mA.<br><b>0</b> — 10 mA<br><b>1</b> — 15 mA<br><b>2</b> — 20 mA<br><b>3</b> — 25 mA<br><b>4</b> — 30 mA<br><b>5</b> — 35 mA<br><b>6</b> — 40 mA<br><b>7</b> — 45 mA<br><b>8</b> — 50 mA<br><b>9</b> — 100 mA<br><b>10</b> — 150 mA<br><b>11</b> — 200 mA<br><b>12</b> — 300 mA<br><b>13</b> — 400 mA<br><b>14</b> — 500 mA<br><b>15</b> — 600 mA<br><b>16</b> — 700 mA<br><b>17</b> — 800 mA<br><b>18</b> — 900 mA<br><b>19</b> — 1000 mA<br><b>20</b> — 1500 mA<br><b>21</b> — Reserved<br><b>22</b> — Reserved<br><b>23</b> — Reserved<br><b>24</b> — Reserved<br><b>25</b> — Reserved<br><b>26</b> — Reserved<br><b>27</b> — Reserved<br><b>28</b> — Reserved<br><b>29</b> — Reserved<br><b>30</b> — Reserved<br><b>31</b> — Reserved<br><b>Reset condition</b> — CHGPOK_RSTB |

## Power management integrated circuit (PMIC) for low power application processors

Table 164. Register VBUS\_LIN\_DPM - ADDR 0x15

| Name                  | Bit    | R/W  | Default | Description  |
|-----------------------|--------|------|---------|--|
| VBUS_DPM_REG          | 2 to 0 | RW1S | 000     | VBUS regulation voltage (DPM mode)<br><b>0</b> — 3.90 V<br><b>1</b> — 4.00 V<br><b>2</b> — 4.10 V<br><b>3</b> — 4.20 V<br><b>4</b> — 4.30 V<br><b>5</b> — 4.40 V<br><b>6</b> — 4.50 V<br><b>7</b> — 4.60 V<br><b>Reset condition</b> — VCOREDIG_RSTB |
| PRECHGDBATT_T<br>HRSH | 4 to 3 | RW1S | 00      | Precharge threshold<br><b>0</b> — Reserved<br><b>1</b> — Reserved<br><b>2</b> — Reserved<br><b>3</b> — Reserved  |
| VIN_DPM_STOP          | 5      | RW1S | 0       | Dynamic input power management panic stop threshold<br><b>0</b> — 200 mV<br><b>1</b> — 250 mV<br><b>Reset condition</b> — VCOREDIG_RSTB  |
| RSVD6                 | 6      | R    | 0       | Unused   |
| FET_SCALE             | 7      | RW1S | 0       | Enables/disables BATFET scaling<br><b>0</b> — Reserved<br><b>1</b> — Reserved<br><b>Reset condition</b> — VCOREDIG_RSTB  |

Table 165. Register USB\_PHY\_LDO\_CNFG - ADDR 0x16

| Name      | Bit    | R/W  | Default | Description  |
|-----------|--------|------|---------|--|
| ACTDISPHY | 0      | RW1S | 1       | Active discharger enable bit for USBPHY<br><b>0</b> — No active discharge<br><b>1</b> — Active discharge when regulator disabled<br><b>Reset condition</b> — VCOREDIG_RSTB |
| USBPHY    | 1      | RW1S | 0       | USBPHY voltage setting register<br><b>0</b> — 3.3 V<br><b>1</b> — 4.9 V<br><b>Reset condition</b> — VCOREDIG_RSTB  |
| USBPHYLDO | 2      | RW1S | 0       | USBPHY LDO enable<br><b>0</b> — Disabled<br><b>1</b> — Enabled<br><b>Reset condition</b> — VCOREDIG_RSTB   |
| RSVD3     | 3      | RW   | 0       | Unused   |
| RSVD4     | 5 to 4 | RW   | 00      | Unused   |
| RSVD6     | 7 to 6 | RW   | 00      | Unused   |

## Power management integrated circuit (PMIC) for low power application processors

Table 166. Register DBNC\_DELAY\_TIME - ADDR 0x18

| Name         | Bit    | R/W  | Default | Description  |
|--------------|--------|------|---------|--|
| VBUS_OV_TDB  | 1 to 0 | RW1S | 00      | VBUS overvoltage debounce delay<br><b>0</b> — 10 $\mu$ s (Reserved)<br><b>1</b> — 100 $\mu$ s<br><b>2</b> — 1 ms<br><b>3</b> — 10 ms<br><b>Reset condition</b> — VCOREDIG_RSTB |
| USB_PHY_TDB  | 3 to 2 | RW1S | 00      | USBPHY debounce timer - not used in PF1550<br><b>0</b> — 0 ms<br><b>1</b> — 16 ms<br><b>2</b> — 32 ms<br><b>3</b> — Not used<br><b>Reset condition</b> — VCOREDIG_RSTB         |
| SYS_WKUP_DLY | 5 to 4 | RW1S | 00      | System wake-up time<br><b>0</b> — 8.0 ms<br><b>1</b> — 16 ms<br><b>2</b> — 32 ms<br><b>3</b> — 100 ms<br><b>Reset condition</b> — VCOREDIG_RSTB                                |
| RSVD6        | 7 to 6 | RW   | 00      | Unused   |

Table 167. Register CHG\_INT\_CNFG - ADDR 0x19

| Name        | Bit    | R/W  | Default | Description   |
|-------------|--------|------|---------|---|
| CHG_INT_GEN | 0      | RW1S | 0       | Determines if an interrupt is generated at every mode transition in charger<br><b>0</b> — Interrupt is not generated at every mode transition except transition from Fast Charge to CV<br><b>1</b> — Interrupt is generated at every mode transition (Fast Charge, CV, EOC, DONE, No Charger)<br><b>Reset condition</b> — VCOREDIG_RSTB |
| EOC_INT     | 1      | RW1S | 0       | Interrupt bit generated at end-of-charge<br><b>0</b> — No interrupt bit is generated when end-of-charge current is triggered<br><b>1</b> — Interrupt bit is generated when end-of-charge current is triggered<br><b>Reset condition</b> — VCOREDIG_RSTB   |
| RSVD2       | 7 to 2 | RW   | 000000  | Unused  |

Table 168. Register THM\_ADJ\_SETTING - ADDR 0x1A

| Name     | Bit | R/W  | Default | Description   |
|----------|-----|------|---------|---|
| THM_WARM | 0   | RW1S | 0       | Thermistor warm threshold setting<br><b>0</b> — 45 $^{\circ}$ C<br><b>1</b> — 50 $^{\circ}$ C<br><b>Reset condition</b> — VCOREDIG_RSTB |
| THM_COOL | 1   | RW1S | 0       | Thermistor cool threshold setting<br><b>0</b> — 15 $^{\circ}$ C<br><b>1</b> — 10 $^{\circ}$ C<br><b>Reset condition</b> — VCOREDIG_RSTB |

Table 168. Register THM\_ADJ\_SETTING - ADDR 0x1A...continued

| Name   | Bit    | R/W  | Default | Description  |
|--------|--------|------|---------|--|
| CV_ADJ | 3 to 2 | RW1S | 00      | JEITA Thermistor battery termination voltage subtraction setting<br><b>0</b> — 60 mV<br><b>1</b> — 100 mV<br><b>2</b> — 160 mV<br><b>3</b> — 200 mV<br><b>Reset condition</b> — VCOREDIG_RSTB      |
| CC_ADJ | 5 to 4 | RW1S | 00      | JEITA Thermistor battery charging current setting (percentage of $I_{FC}$ )<br><b>0</b> — 25 %<br><b>1</b> — 50 %<br><b>2</b> — 75 %<br><b>3</b> — 100 %<br><b>Reset condition</b> — VCOREDIG_RSTB |
| RSVD6  | 7 to 6 | RW   | 00      | Unused   |

Table 169. Register VBUS2SYS\_CNFG - ADDR 0x1B

| Name           | Bit    | R/W  | Default | Description   |
|----------------|--------|------|---------|---|
| VBUS2SYS_TDB   | 1 to 0 | RW1S | 00      | VBUS to VSYS comparator debounce time<br><b>0</b> — Reserved<br><b>1</b> — 100 $\mu$ s<br><b>2</b> — 1 ms<br><b>3</b> — 10 ms<br><b>Reset condition</b> — VCOREDIG_RSTB |
| VBUS2SYS_THRSH | 2      | RW1S | 0       | VBUS to VSYS comparator threshold setting<br><b>0</b> — 50 mV<br><b>1</b> — 175 mV<br><b>Reset condition</b> — VCOREDIG_RSTB  |
| RSVD3          | 7 to 3 | RW   | 00000   | Unused  |

Table 170. Register LED\_PWM - ADDR 0x1C

| Name     | Bit    | R/W | Default | Description  |
|----------|--------|-----|---------|--|
| LED_PWM  | 5 to 0 | RW  | 000000  | LED PWM duty cycle setting<br><b>0</b> — 0/32 (Off)<br><b>1</b> — 1/32<br><b>2</b> — 2/32<br><b>3</b> — 3/32<br><b>4</b> — 4/32<br><b>5</b> — 5/32<br><b>6</b> — 6/32<br><b>7</b> — 7/32<br><b>8</b> — 8/32<br><b>9</b> — 9/32<br><b>10</b> — 10/32<br><b>11</b> — 11/32<br><b>12</b> — 12/32<br><b>13</b> — 13/32<br><b>14</b> — 14/32<br><b>15</b> — 15/32<br><b>16</b> — 16/32<br><b>17</b> — 17/32<br><b>18</b> — 18/32<br><b>19</b> — 19/32<br><b>20</b> — 20/32<br><b>21</b> — 21/32<br><b>22</b> — 22/32<br><b>23</b> — 23/32<br><b>24</b> — 24/32<br><b>25</b> — 25/32<br><b>26</b> — 26/32<br><b>27</b> — 27/32<br><b>28</b> — 28/32<br><b>29</b> — 29/32<br><b>30</b> — 30/32<br><b>31</b> — 31/32<br><b>32 and higher</b> — 32/32<br><b>Reset condition</b> — VCOREDIG_RSTB |
| LED_RAMP | 6      | RW  | 0       | Enable PWM ramp enable<br><b>0</b> — Ramp disable<br><b>1</b> — Ramp enable<br><b>Reset condition</b> — VCOREDIG_RSTB  |
| LED_EN   | 7      | RW  | 0       | LED driver enable<br><b>0</b> — Disabled<br><b>1</b> — Enabled<br><b>Reset condition</b> — VCOREDIG_RSTB   |

Table 171. Register FAULT\_BATFET\_CNFG - ADDR 0x1D

| Name          | Bit | R/W  | Default | Description   |
|---------------|-----|------|---------|---|
| OVFLT_BFET_EN | 0   | RW1S | 0       | BATFET control during battery overvoltage<br><b>0</b> — BATFET is opened during battery overvoltage<br><b>1</b> — BATFET remains closed<br><b>Reset condition</b> — VCOREDIG_RSTB |



## Power management integrated circuit (PMIC) for low power application processors

Table 171. Register FAULT\_BATFET\_CNFG - ADDR 0x1D...continued

| Name                | Bit    | R/W  | Default | Description   |
|---------------------|--------|------|---------|---|
| WDFLT_BFET_EN       | 1      | RW1S | 0       | BATFET control during watchdog fault<br><b>0</b> — BATFET is opened during watchdog fault<br><b>1</b> — BATFET remains closed<br><b>Reset condition</b> — VCOREDIG_RSTB                               |
| THMSUS_BFET_EN      | 2      | RW1S | 0       | BATFET control during thermistor fault (< Cold or > Hot)<br><b>0</b> — BATFET is opened during battery thermistor fault<br><b>1</b> — BATFET remains closed<br><b>Reset condition</b> — VCOREDIG_RSTB |
| TSHDN_BFET_EN       | 3      | RW1S | 0       | BATFET control during thermal shutdown<br><b>0</b> — BATFET is opened during thermal shutdown<br><b>1</b> — BATFET remains closed<br><b>Reset condition</b> — VCOREDIG_RSTB                           |
| TMRFLT_BFET_EN      | 4      | RW1S | 0       | BATFET control during charger timer fault<br><b>0</b> — BATFET is opened during charger timer fault<br><b>1</b> — BATFET remains closed<br><b>Reset condition</b> — POR                               |
| RSVD5               | 5      | RW1S | 0       | Unused  |
| CTRL_CHGR_BET A_SEL | 7 to 6 | RW1S | 00      | Reserved  |

Table 172. Register LED\_CNFG - ADDR 0x1E

| Name        | Bit    | R/W  | Default | Description   |
|-------------|--------|------|---------|---|
| LED_FREQ    | 1 to 0 | RW   | 00      | LED driver PWM frequency setting<br><b>0</b> — 1.0 Hz<br><b>1</b> — 0.5 Hz<br><b>2</b> — 256 Hz<br><b>3</b> — 8.0 Hz<br><b>Reset condition</b> — VCOREDIG_RSTB  |
| LED_CURRENT | 3 to 2 | RW1S | 00      | LED driver current amplitude setting<br><b>0</b> — Reserved<br><b>1</b> — 6.0 mA<br><b>2</b> — Reserved<br><b>3</b> — Reserved<br><b>Reset condition</b> — VCOREDIG_RSTB  |
| LED_CFG     | 4      | RW1S | 0       | Controls LED on/blinking mode<br><b>0</b> — LED on during charging; flashing during charger fault; off in DONE state<br><b>1</b> — LED flashing during charging; on during charger fault; off in DONE state<br><b>Reset condition</b> — VCOREDIG_RSTB |
| LEDOVRD     | 5      | RW   | 0       | Enable software control of LED<br><b>0</b> — LED controlled by state machine<br><b>1</b> — LED controlled via software<br><b>Reset condition</b> — VCOREDIG_RSTB  |
| RSVD4       | 7 to 6 | RW   | 00      | Unused  |

Table 173. Register LED\_CNFG - ADDR 0x1F

| Name      | Bit    | R/W | Default | Description |
|-----------|--------|-----|---------|-------------|
| CHGR_KEY2 | 7 to 0 | RW  | 0x00    | Reserved    |

### 12.3 Register PMIC bitmap

VCOREDIG\_PORB <sup>[1]</sup>

PS\_END\_RSTB <sup>[2]</sup>

REGS\_DISABLE\_TOG\_RSTB <sup>[3]</sup>

- [1] Bits reset by invalid VCOREDIG
- [2] Bits reset by PORB or RESETPMCU
- [3] Bits reset by pulse to REGS\_DISABLE mode

Table 174. Register PMIC bitmap

| Address | Register name |       | BITS[7:0]       |          |                     |         |                |                      |                |                |
|---------|---------------|-------|-----------------|----------|---------------------|---------|----------------|----------------------|----------------|----------------|
|         |               |       | 7               | 6        | 5                   | 4       | 3              | 2                    | 1              | 0              |
| 0x00    | DEVICE_ID     | Name  | FAMILY[3:7]     |          |                     |         | DEVICE_ID[2:0] |                      |                |                |
|         |               | Reset | 0               | 1        | 1                   | 1       | 1              | 0                    | 0              |                |
|         |               | Type  | R               | R        | R                   | R       | R              | R                    | R              |                |
| 0x01    | OTP_FLAVOR    | Name  | OTP_FLAVOR[5:0] |          |                     |         |                |                      |                |                |
|         |               | Reset | 0               | 0        | 0                   | 0       | 0              | 0                    | 0              |                |
|         |               | Type  | —               | —        | R                   | R       | R              | R                    | R              |                |
| 0x02    | SILICON_REV   | Name  | FAB_FIN[7:6]    |          | FULL_LAYER_REV[5:3] |         |                | METAL_LAYER_REV[2:0] |                |                |
|         |               | Reset | 0               | 0        | 0                   | 0       | 1              | 0                    | 0              |                |
|         |               | Type  | R               | R        | R                   | R       | R              | R                    | R              |                |
| 0x06    | INT_CATEGORY  | Name  | MISC_INT        | TEMP_INT | ONKEY_INT           | LDO_INT | SW3_INT        | SW2_INT              | SW1_INT        | CHG_INT        |
|         |               | Reset | 0               | 0        | 0                   | 0       | 0              | 0                    | 0              |                |
|         |               | Type  | R               | R        | R                   | R       | R              | R                    | R              |                |
| 0x08    | SW_INT_STAT0  | Name  | —               | —        | —                   | —       | —              | SW3_LS_I             | SW2_LS_I       | SW1_LS_I       |
|         |               | Reset | 0               | 0        | 0                   | 0       | 0              | 0                    | 0              |                |
|         |               | Type  | —               | —        | —                   | —       | —              | RW1C                 | RW1C           | RW1C           |
| 0x09    | SW_INT_MASK0  | Name  | —               | —        | —                   | —       | —              | SW3_LS_M             | SW2_LS_M       | SW1_LS_M       |
|         |               | Reset | 0               | 0        | 0                   | 0       | 0              | 1                    | 1              |                |
|         |               | Type  | —               | —        | —                   | —       | —              | RW                   | RW             | RW             |
| 0x0A    | SW_INT_SENSE0 | Name  | —               | —        | —                   | —       | —              | SW3_LS_S             | SW2_LS_S       | SW1_LS_S       |
|         |               | Reset | 0               | 0        | 0                   | 0       | 0              | 0                    | 0              |                |
|         |               | Type  | —               | —        | —                   | —       | —              | R                    | R              | R              |
| 0x0B    | SW_INT_STAT1  | Name  | —               | —        | —                   | —       | —              | SW3_HS_I             | SW2_HS_I       | SW1_HS_I       |
|         |               | Reset | 0               | 0        | 0                   | 0       | 0              | 0                    | 0              |                |
|         |               | Type  | —               | —        | —                   | —       | —              | RW1C                 | RW1C           | RW1C           |
| 0x0C    | SW_INT_MASK1  | Name  | —               | —        | —                   | —       | —              | SW3_HS_M             | SW2_HS_M       | SW1_HS_M       |
|         |               | Reset | 0               | 0        | 0                   | 0       | 0              | 1                    | 1              |                |
|         |               | Type  | —               | —        | —                   | —       | —              | RW                   | RW             | RW             |
| 0x0D    | SW_INT_SENSE1 | Name  | —               | —        | —                   | —       | —              | SW3_HS_S             | SW2_HS_S       | SW1_HS_S       |
|         |               | Reset | 0               | 0        | 0                   | 0       | 0              | 0                    | 0              |                |
|         |               | Type  | —               | —        | —                   | —       | —              | R                    | R              | R              |
| 0x0E    | SW_INT_STAT2  | Name  | —               | —        | —                   | —       | —              | —                    | SW2_DVS_DONE_I | SW1_DVS_DONE_I |
|         |               | Reset | 0               | 0        | 0                   | 0       | 0              | 0                    | 0              |                |
|         |               | Type  | —               | —        | —                   | —       | —              | —                    | RW1C           | RW1C           |
| 0x0F    | SW_INT_MASK2  | Name  | —               | —        | —                   | —       | —              | —                    | SW2_DVS_DONE_M | SW1_DVS_DONE_M |
|         |               | Reset | 0               | 0        | 0                   | 0       | 0              | 0                    | 1              |                |
|         |               | Type  | —               | —        | —                   | —       | —              | —                    | RW             | RW             |

Table 174. Register PMIC bitmap...continued

| Address | Register name    |       | BITS[7:0]    |          |                    |              |                |           |             | 1           | 0           |
|---------|------------------|-------|--------------|----------|--------------------|--------------|----------------|-----------|-------------|-------------|-------------|
|         |                  |       | 7            | 6        | 5                  | 4            | 3              | 2         |             |             |             |
| 0x10    | SW_INT_SENSE2    | Name  | —            | —        | —                  | —            | —              | —         | —           | SW2_DVS_S   | SW1_DVS_S   |
|         |                  | Reset | 0            | 0        | 0                  | 0            | 0              | 0         | 0           | 0           | 0           |
|         |                  | Type  | —            | —        | —                  | —            | —              | —         | —           | R           | R           |
| 0x18    | LDO_INT_STAT0    | Name  | —            | —        | —                  | —            | —              | —         | LDO3_FAULTI | LDO2_FAULTI | LDO1_FAULTI |
|         |                  | Reset | 0            | 0        | 0                  | 0            | 0              | 0         | 0           | 0           | 0           |
|         |                  | Type  | —            | —        | —                  | —            | —              | —         | RW1C        | RW1C        | RW1C        |
| 0x19    | LDO_INT_MASK0    | Name  | —            | —        | —                  | —            | —              | —         | LDO3_FAULTM | LDO2_FAULTM | LDO1_FAULTM |
|         |                  | Reset | 0            | 0        | 0                  | 0            | 0              | 1         | 1           | 1           |             |
|         |                  | Type  | —            | —        | —                  | —            | —              | —         | RW          | RW          | RW          |
| 0x1A    | LDO_INT_SENSE0   | Name  | —            | —        | —                  | —            | —              | —         | LDO3_FAULTS | LDO2_FAULTS | LDO1_FAULTS |
|         |                  | Reset | 0            | 0        | 0                  | 0            | 0              | 0         | 0           | 0           |             |
|         |                  | Type  | —            | —        | —                  | —            | —              | —         | R           | R           | R           |
| 0x20    | TEMP_INT_STAT0   | Name  | —            | —        | —                  | —            | —              | —         | THERM125I   | —           | THERM110I   |
|         |                  | Reset | 0            | 0        | 0                  | 0            | 0              | 0         | 0           | 0           | 0           |
|         |                  | Type  | —            | —        | —                  | —            | —              | —         | RW1C        | —           | RW1C        |
| 0x21    | TEMP_INT_MASK0   | Name  | —            | —        | —                  | —            | —              | —         | THERM125M   | —           | THERM110M   |
|         |                  | Reset | 0            | 0        | 0                  | 0            | 1              | 1         | 1           | 1           |             |
|         |                  | Type  | —            | —        | —                  | —            | —              | —         | RW          | —           | RW          |
| 0x22    | TEMP_INT_SENSE0  | Name  | —            | —        | —                  | —            | —              | —         | THERM125S   | —           | THERM110S   |
|         |                  | Reset | 0            | 0        | 0                  | 0            | 0              | 0         | 0           | 0           |             |
|         |                  | Type  | —            | —        | —                  | —            | —              | —         | R           | —           | R           |
| 0x24    | ONKEY_INT_STAT0  | Name  | —            | —        | ONKEY_8SI          | ONKEY_4SI    | ONKEY_3SI      | ONKEY_2SI | ONKEY_1SI   | ONKEY_PUSHI |             |
|         |                  | Reset | 0            | 0        | 0                  | 0            | 0              | 0         | 0           | 0           |             |
|         |                  | Type  | —            | —        | RW1C               | RW1C         | RW1C           | RW1C      | RW1C        | RW1C        |             |
| 0x25    | ONKEY_INT_MASK0  | Name  | —            | —        | ONKEY_8SM          | ONKEY_4SM    | ONKEY_3SM      | ONKEY_2SM | ONKEY_1SM   | ONKEY_PUSHM |             |
|         |                  | Reset | 0            | 0        | 1                  | 1            | 1              | 1         | 1           | 1           |             |
|         |                  | Type  | —            | —        | RW                 | RW           | RW             | RW        | RW          | RW          |             |
| 0x26    | ONKEY_INT_SENSE0 | Name  | —            | —        | ONKEY_8SS          | ONKEY_4SS    | ONKEY_3SS      | ONKEY_2SS | ONKEY_1SS   | ONKEY_PUSHS |             |
|         |                  | Reset | 0            | 0        | 0                  | 0            | 0              | 0         | 0           | 0           |             |
|         |                  | Type  | —            | —        | R                  | R            | R              | R         | R           | R           |             |
| 0x28    | MISC_INT_STAT0   | Name  | —            | —        | —                  | SYS_OVLO_I   | LOW_SYS_WARN_I | PWRON_I   | PWRDN_I     | PWRUP_I     |             |
|         |                  | Reset | 0            | 0        | 0                  | 0            | 0              | 0         | 0           | 0           |             |
|         |                  | Type  | —            | —        | —                  | RW1C         | RW1C           | RW1C      | RW1C        | RW1C        |             |
| 0x29    | MISC_INT_MASK0   | Name  | —            | —        | —                  | SYS_OVLO_M   | LOW_SYS_WARN_M | PWRON_M   | PWRDN_M     | PWRUP_M     |             |
|         |                  | Reset | 0            | 0        | 0                  | 1            | 1              | 1         | 1           | 1           |             |
|         |                  | Type  | —            | —        | —                  | RW           | RW             | RW        | RW          | RW          |             |
| 0x2A    | MISC_INT_SENSE0  | Name  | —            | —        | —                  | SYS_OVLO_S   | LOW_SYS_WARN_S | PWRON_S   | PWRDN_S     | PWRUP_S     |             |
|         |                  | Reset | 0            | 0        | 0                  | 0            | 0              | 0         | 0           | 0           |             |
|         |                  | Type  | —            | —        | —                  | R            | R              | R         | R           | R           |             |
| 0x30    | COINCELL_CONTROL | Name  | —            | —        | —                  | COINCHEN     | VCOIN[3:0]     |           |             |             |             |
|         |                  | Reset | 0            | 0        | 0                  | 0            | 0              | 0         | 0           | 0           |             |
|         |                  | Type  | —            | —        | —                  | RW           | RW             | RW        | RW          | RW          |             |
| 0x32    | SW1_VOLT         | Name  | —            | —        | SW1_VOLT[5:0]      |              |                |           |             | —           | —           |
|         |                  | Reset | 0            | 0        | 0                  | 0            | 0              | 0         | 0           | 0           | 0           |
|         |                  | Type  | —            | —        | RW1S               | RW1S         | RW1S           | RW1S      | RW1S        | RW1S        | RW1S        |
| 0x33    | SW1_STBY_VOLT    | Name  | —            | —        | SW1_STBY_VOLT[5:0] |              |                |           |             | —           | —           |
|         |                  | Reset | 0            | 0        | 0                  | 0            | 0              | 0         | 0           | 0           |             |
|         |                  | Type  | —            | —        | RW1S               | RW1S         | RW1S           | RW1S      | RW1S        | RW1S        | RW1S        |
| 0x34    | SW1_SLP_VOLT     | Name  | —            | —        | SW1_SLP_VOLT[5:0]  |              |                |           |             | —           | —           |
|         |                  | Reset | 0            | 0        | 0                  | 0            | 0              | 0         | 0           | 0           |             |
|         |                  | Type  | —            | —        | RW1S               | RW1S         | RW1S           | RW1S      | RW1S        | RW1S        | RW1S        |
| 0x35    | SW1_CTRL         | Name  | SW1_RDIS_ENB | SW1_FPWM | SW1_FPWM_IN_DVS    | SW1_DVSSPEED | SW1_LPWR       | SW1_OMODE | SW1_STBY_EN | SW1_EN      |             |
|         |                  | Reset | 0            | 0        | 0                  | 0            | 0              | 0         | 0           | 0           |             |
|         |                  | Type  | RW1S         | RW       | RW                 | RW1S         | RW             | RW        | RW1S        | RW1S        |             |

Table 174. Register PMIC bitmap...continued

| Address | Register name |       | BITS[7:0]          |          |                 |               |              |                 |                 |            |
|---------|---------------|-------|--------------------|----------|-----------------|---------------|--------------|-----------------|-----------------|------------|
|         |               |       | 7                  | 6        | 5               | 4             | 3            | 2               | 1               | 0          |
| 0x36    | SW1_CTRL1     | Name  | —                  | —        | —               | SW1_TMODE_SEL | —            | —               | SW1_ILIM[1:0]   |            |
|         |               | Reset | 0                  | 0        | 0               | 0             | 0            | 0               | 0               | 0          |
|         |               | Type  | —                  | —        | —               | RW            | —            | —               | RW1S            | RW1S       |
| 0x38    | SW2_VOLT      | Name  | SW2_VOLT[5:0]      |          |                 |               |              |                 |                 |            |
|         |               | Reset | 0                  | 0        | 0               | 0             | 0            | 0               | 0               | 0          |
|         |               | Type  | —                  | —        | RW1S            | RW1S          | RW1S         | RW1S            | RW1S            | RW1S       |
| 0x39    | SW2_STBY_VOLT | Name  | SW2_STBY_VOLT[5:0] |          |                 |               |              |                 |                 |            |
|         |               | Reset | 0                  | 0        | 0               | 0             | 0            | 0               | 0               | 0          |
|         |               | Type  | —                  | —        | RW1S            | RW1S          | RW1S         | RW1S            | RW1S            | RW1S       |
| 0x3A    | SW2_SLP_VOLT  | Name  | SW2_SLP_VOLT[5:0]  |          |                 |               |              |                 |                 |            |
|         |               | Reset | 0                  | 0        | 0               | 0             | 0            | 0               | 0               | 0          |
|         |               | Type  | —                  | —        | RW1S            | RW1S          | RW1S         | RW1S            | RW1S            | RW1S       |
| 0x3B    | SW2_CTRL      | Name  | SW2_RDIS_ENB       | SW2_FPWM | SW2_FPWM_IN_DVS | SW2_DVSSPEED  | SW2_LPWR     | SW2_OMODE       | SW2_STBY_EN     | SW2_EN     |
|         |               | Reset | 0                  | 0        | 0               | 0             | 0            | 0               | 0               | 0          |
|         |               | Type  | RW1S               | RW       | RW              | RW1S          | RW           | RW              | RW1S            | RW1S       |
| 0x3C    | SW2_CTRL1     | Name  | —                  | —        | —               | SW2_TMODE_SEL | —            | —               | SW2_ILIM[1:0]   |            |
|         |               | Reset | 0                  | 0        | 0               | 0             | 0            | 0               | 0               | 0          |
|         |               | Type  | —                  | —        | —               | RW            | —            | —               | RW1S            | RW1S       |
| 0x3E    | SW3_VOLT      | Name  | SW3_VOLT[3:0]      |          |                 |               |              |                 |                 |            |
|         |               | Reset | 0                  | 0        | 0               | 0             | 0            | 0               | 0               | 0          |
|         |               | Type  | —                  | —        | —               | —             | RW1S         | RW1S            | RW1S            | RW1S       |
| 0x3F    | SW3_STBY_VOLT | Name  | SW3_STBY_VOLT[3:0] |          |                 |               |              |                 |                 |            |
|         |               | Reset | 0                  | 0        | 0               | 0             | 0            | 0               | 0               | 0          |
|         |               | Type  | —                  | —        | —               | —             | RW1S         | RW1S            | RW1S            | RW1S       |
| 0x40    | SW3_SLP_VOLT  | Name  | SW3_SLP_VOLT[3:0]  |          |                 |               |              |                 |                 |            |
|         |               | Reset | 0                  | 0        | 0               | 0             | 0            | 0               | 0               | 0          |
|         |               | Type  | —                  | —        | —               | —             | RW1S         | RW1S            | RW1S            | RW1S       |
| 0x41    | SW3_CTRL      | Name  | SW3_RDIS_ENB       | SW3_FPWM | —               | SW3_DVSSPEED  | SW3_LPWR     | SW3_OMODE       | SW3_STBY_EN     | SW3_EN     |
|         |               | Reset | 0                  | 0        | 0               | 0             | 0            | 0               | 0               | 0          |
|         |               | Type  | RW1S               | RW       | —               | RW1S          | RW           | RW              | RW1S            | RW1S       |
| 0x42    | SW3_CTRL1     | Name  | —                  | —        | —               | SW3_TMODE_SEL | —            | —               | SW3_ILIM[1:0]   |            |
|         |               | Reset | 0                  | 0        | 0               | 0             | 0            | 0               | 0               | 0          |
|         |               | Type  | —                  | —        | —               | RW            | —            | —               | RW1S            | RW1S       |
| 0x48    | VSNVS_CTRL    | Name  | —                  | —        | LIBGDIS         | FORCEBOS      | CLKPULSE     | VSNVS_VOLT[2:0] |                 |            |
|         |               | Reset | 0                  | 0        | 0               | 0             | 0            | 0               | 0               | 0          |
|         |               | Type  | —                  | —        | RW              | RW            | RW           | RW1S            | RW1S            | RW1S       |
| 0x4A    | VREFDDR_CTRL  | Name  | —                  | —        | —               | —             | VREFDDR_LPWR | VREFDDR_OMODE   | VREFDDR_STBY_EN | VREFDDR_EN |
|         |               | Reset | 0                  | 0        | 0               | 0             | 0            | 0               | 0               | 0          |
|         |               | Type  | —                  | —        | —               | —             | RW           | RW              | RW1S            | RW1S       |
| 0x4C    | LDO1_VOLT     | Name  | LDO1_VOLT[4:0]     |          |                 |               |              |                 |                 |            |
|         |               | Reset | 0                  | 0        | 0               | 0             | 0            | 0               | 0               | 0          |
|         |               | Type  | —                  | —        | —               | RW1S          | RW1S         | RW1S            | RW1S            | RW1S       |
| 0x4D    | LDO1_CTRL     | Name  | —                  | —        | —               | LDO1_LS_EN    | LDO1_LPWR    | LDO1_OMODE      | LDO1_STB_Y_EN   | VLDO1_EN   |
|         |               | Reset | 0                  | 0        | 0               | 0             | 0            | 0               | 0               | 0          |
|         |               | Type  | —                  | —        | —               | RW1S          | RW           | RW              | RW1S            | RW1S       |
| 0x4F    | LDO2_VOLT     | Name  | LDO2_VOLT[3:0]     |          |                 |               |              |                 |                 |            |
|         |               | Reset | 0                  | 0        | 0               | 0             | 0            | 0               | 0               | 0          |
|         |               | Type  | —                  | —        | —               | —             | RW1S         | RW1S            | RW1S            | RW1S       |
| 0x50    | LDO2_CTRL     | Name  | —                  | —        | —               | —             | LDO2_LPWR    | LDO2_OMODE      | LDO2_STB_Y_EN   | VLDO2_EN   |
|         |               | Reset | 0                  | 0        | 0               | 0             | 0            | 0               | 0               | 0          |
|         |               | Type  | —                  | —        | —               | —             | RW           | RW              | RW1S            | RW1S       |
| 0x52    | LDO3_VOLT     | Name  | LDO3_VOLT[4:0]     |          |                 |               |              |                 |                 |            |
|         |               | Reset | 0                  | 0        | 0               | 0             | 0            | 0               | 0               | 0          |
|         |               | Type  | —                  | —        | —               | RW1S          | RW1S         | RW1S            | RW1S            | RW1S       |
| 0x53    | LDO3_CTRL     | Name  | —                  | —        | —               | LDO3_LS_EN    | LDO3_LPWR    | LDO3_OMODE      | LDO3_STB_Y_EN   | VLDO3_EN   |
|         |               | Reset | 0                  | 0        | 0               | 0             | 0            | 0               | 0               | 0          |

Power management integrated circuit (PMIC) for low power application processors

Table 174. Register PMIC bitmap...continued

| Address | Register name     | BITS[7:0] |                  |          |            |              |                          |                 |                 |           |  |
|---------|-------------------|-----------|------------------|----------|------------|--------------|--------------------------|-----------------|-----------------|-----------|--|
|         |                   | 7         | 6                | 5        | 4          | 3            | 2                        | 1               | 0               |           |  |
|         |                   | Type      | —                | —        | —          | RW1S         | RW                       | RW              | RW1S            | RW1S      |  |
| 0x58    | PWRCTRL0          | Name      | TGRESET[7:6]     |          |            | POR_DLY[5:3] |                          | STANDBYINV      | STANDBYDLY[1:0] |           |  |
|         |                   | Reset     | 0                | 0        | 0          | 0            | 0                        | 0               | 0               | 1         |  |
|         |                   | Type      | RW1S             | RW1S     | RW1S       | RW1S         | RW1S                     | RW              | RW              | RW        |  |
| 0x59    | PWRCTRL1          | Name      | ONKEY_RST_EN     | REGSCPEN | RESTARTEN  | PWRONRSTEN   | ONKEYDBNC[3:2]           |                 | PWRONDBNC[1:0]  |           |  |
|         |                   | Reset     | 1                | 0        | 0          | 0            | 0                        | 0               | 0               | 0         |  |
|         |                   | Type      | RW               | RW       | RW         | RW           | RW                       | RW              | RW              | RW        |  |
| 015A    | PWRCTRL2          | Name      | —                | —        | —          | —            | LOW_SYS_WARN[3:2]        |                 | UVDET[1:0]      |           |  |
|         |                   | Reset     | 0                | 0        | 0          | 0            | 0                        | 0               | 0               | 0         |  |
|         |                   | Type      | —                | —        | —          | —            | RW                       | RW              | RW1S            | RW1S      |  |
| 0x5B    | PWRCTRL3          | Name      | —                |          |            |              |                          |                 | GOTO_CORE_OFF   | GOTO_SHIP |  |
|         |                   | Reset     | 0                | 0        | 0          | 0            | 0                        | 0               | 0               | 0         |  |
|         |                   | Type      | RW               | RW       | RW         | RW           | RW                       | RW              | RW              | RW        |  |
| 0x5F    | SW1_PWRDN_SEQ     | Name      | —                | —        | —          | —            | SW1_PWRDN_SEQ[2:0]       |                 |                 |           |  |
|         |                   | Reset     | 0                | 0        | 0          | 0            | 0                        | 0               | 0               | 0         |  |
|         |                   | Type      | —                | —        | —          | —            | —                        | RW1S            | RW1S            | RW1S      |  |
| 0x60    | SW2_PWRDN_SEQ     | Name      | —                | —        | —          | —            | SW2_PWRDN_SEQ[2:0]       |                 |                 |           |  |
|         |                   | Reset     | 0                | 0        | 0          | 0            | 0                        | 0               | 0               | 0         |  |
|         |                   | Type      | —                | —        | —          | —            | —                        | RW1S            | RW1S            | RW1S      |  |
| 0x61    | SW3_PWRDN_SEQ     | Name      | —                | —        | —          | —            | SW3_PWRDN_SEQ[2:0]       |                 |                 |           |  |
|         |                   | Reset     | 0                | 0        | 0          | 0            | 0                        | 0               | 0               | 0         |  |
|         |                   | Type      | —                | —        | —          | —            | —                        | RW1S            | RW1S            | RW1S      |  |
| 0x62    | LDO1_PWRDN_SEQ    | Name      | —                | —        | —          | —            | LDO1_PWRDN_SEQ[2:0]      |                 |                 |           |  |
|         |                   | Reset     | 0                | 0        | 0          | 0            | 0                        | 0               | 0               | 0         |  |
|         |                   | Type      | —                | —        | —          | —            | —                        | RW1S            | RW1S            | RW1S      |  |
| 0x63    | LDO2_PWRDN_SEQ    | Name      | —                | —        | —          | —            | LDO2_PWRDN_SEQ[2:0]      |                 |                 |           |  |
|         |                   | Reset     | 0                | 0        | 0          | 0            | 0                        | 0               | 0               | 0         |  |
|         |                   | Type      | —                | —        | —          | —            | —                        | RW1S            | RW1S            | RW1S      |  |
| 0x64    | LDO3_PWRDN_SEQ    | Name      | —                | —        | —          | —            | LDO3_PWRDN_SEQ[2:0]      |                 |                 |           |  |
|         |                   | Reset     | 0                | 0        | 0          | 0            | 0                        | 0               | 0               | 0         |  |
|         |                   | Type      | —                | —        | —          | —            | —                        | RW1S            | RW1S            | RW1S      |  |
| 0x65    | VREFDDR_PWRDN_SEQ | Name      | —                | —        | —          | —            | VREFDDR_PWRDN_SEQ[2:0]   |                 |                 |           |  |
|         |                   | Reset     | 0                | 0        | 0          | 0            | 0                        | 0               | 0               | 0         |  |
|         |                   | Type      | —                | —        | —          | —            | —                        | RW1S            | RW1S            | RW1S      |  |
| 0x67    | STATE_INFO        | Name      | —                | —        | STATE[5:0] |              |                          |                 |                 | —         |  |
|         |                   | Reset     | 0                | 0        | 0          | 0            | 0                        | 0               | 0               | 0         |  |
|         |                   | Type      | —                | —        | R          | R            | R                        | R               | R               | R         |  |
| 0x68    | I2C_ADDR          | Name      | USE_DEFAULT_ADDR | —        | —          | —            | I2C_SLAVE_ADDR_LSBS[2:0] |                 |                 |           |  |
|         |                   | Reset     | 0                | 0        | 0          | 0            | 0                        | 0               | 0               | 0         |  |
|         |                   | Type      | RW               | —        | —          | —            | —                        | R               | R               | R         |  |
| 0x69    | IO_DRV0           | Name      | —                | —        | —          | —            | —                        | —               | —               | —         |  |
|         |                   | Reset     | 0                | 0        | 0          | 0            | 0                        | 0               | 0               | 0         |  |
|         |                   | Type      | RW               | RW       | RW         | RW           | RW                       | RW              | RW              | RW        |  |
| 0x6A    | IO_DRV1           | Name      | —                | —        | —          | —            | —                        | —               | —               | —         |  |
|         |                   | Reset     | 0                | 0        | 0          | 0            | 0                        | 0               | 0               | 0         |  |
|         |                   | Type      | —                | —        | —          | —            | —                        | —               | RW              | RW        |  |
| 0x6B    | RC_16MHZ          | Name      | —                | —        | —          | —            | —                        | REQ_ACORE_HIPWR | REQ_ACORE_ON    | REQ_16MHZ |  |
|         |                   | Reset     | 0                | 0        | 0          | 0            | 0                        | 0               | 0               |           |  |
|         |                   | Type      | —                | —        | —          | —            | —                        | RW              | RW              | RW        |  |
| 0x6F    | KEY1              | Name      | KEY1[7:0]        |          |            |              |                          |                 |                 |           |  |
|         |                   | Reset     | 0                | 0        | 0          | 0            | 0                        | 0               | 0               | 0         |  |
|         |                   | Type      | RW               | RW       | RW         | RW           | RW                       | RW              | RW              | RW        |  |

### 12.4 Register charger bitmap

CHGPOK\_RSTB <sup>[1]</sup>  
 VCOREDIG\_RSTB <sup>[2]</sup>

- [1] Bits reset by invalid VBUSIN
- [2] Bits reset by invalid VCOREDIG

Table 175. Register charger bitmap

| Address | Register name   | BITS[7:0] |                    |                     |                           |                        |                 |                |                   |        |
|---------|-----------------|-----------|--------------------|---------------------|---------------------------|------------------------|-----------------|----------------|-------------------|--------|
|         |                 | 7         | 6                  | 5                   | 4                         | 3                      | 2               | 1              | 0                 |        |
| 0x00    | CHG_INT         | Name      | THM_I              | VBUS_DPM_I          | VBUS_I                    | RSVD4                  | CHG_I           | BAT_I          | BAT2SOC_I         | SUP_I  |
|         |                 | Reset     | 0                  | 0                   | 0                         | 0                      | 0               | 0              | 0                 | 0      |
|         |                 | Type      | RW1C               | RW1C                | RW1C                      | RW1C                   | RW1C            | RW1C           | RW1C              | RW1C   |
| 0x02    | CHG_INT_MASK    | Name      | THM_M              | VBUS_DPM_M          | VBUS_M                    | RSVD4                  | CHG_M           | BAT_M          | BAT2SOC_M         | SUP_M  |
|         |                 | Reset     | 1                  | 1                   | 1                         | 1                      | 1               | 1              | 1                 | 1      |
|         |                 | Type      | RW                 | RW                  | RW                        | RW                     | RW              | RW             | RW                | RW     |
| 0x04    | CHG_INT_OK      | Name      | THM_OK             | VBUS_DPM_OK         | VBUS_OK                   | RSVD4                  | CHG_OK          | BAT_OK         | BAT2SOC_OK        | SUP_OK |
|         |                 | Reset     | 1                  | 0                   | 0                         | 0                      | 0               | 1              | 0                 | 0      |
|         |                 | Type      | R                  | R                   | R                         | R                      | R               | R              | R                 | R      |
| 0x06    | VBUS_SNS        | Name      | VBUS_DPM_SNS       | RSVD6               | VBUS_VALID_SNS            | VBUS_OVLO_SNS          | VBUS_IN2SYS_SNS | VBUS_UVLO_SNS  | RSVD0[1:0]        |        |
|         |                 | Reset     | 0                  | 0                   | 0                         | 0                      | 1               | 1              | 0                 | 0      |
|         |                 | Type      | R                  | R                   | R                         | R                      | R               | R              | R                 | R      |
| 0x07    | CHG_SNS         | Name      | TREG_SNS           | THM_SNS             | WDT_SNS                   | RSVD4                  | CHG_SNS[3:0]    |                |                   |        |
|         |                 | Reset     | 0                  | 0                   | 0                         | 0                      | 1               | 0              | 0                 | 0      |
|         |                 | Type      | R                  | R                   | R                         | R                      | R               | R              | R                 | R      |
| 0x08    | BATT_SNS        | Name      | RSVD6[7:6]         |                     | BATT0C_SNS                | RSVD3[4:3]             |                 | BATT_SNS[2:0]  |                   |        |
|         |                 | Reset     | 0                  | 0                   | 0                         | 0                      | 0               | 0              | 0                 | 0      |
|         |                 | Type      | RW                 | RW                  | R                         | RW                     | RW              | R              | R                 | R      |
| 0x09    | CHG_OPER        | Name      | RSVD5[7:5]         |                     |                           | DISBATFET              | WDTEN           | RSVD2          | CHG_OPER[1:0]     |        |
|         |                 | Reset     | 0                  | 0                   | 0                         | 0                      | 0               | 0              | 0                 | 1      |
|         |                 | Type      | RW                 | RW                  | RW                        | RW                     | RW              | RW             | RW1S              | RW1S   |
| 0x0A    | CHG_TMR         | Name      | TPRECHG            | RSVD6               | EOCTIME[5:3]FCHGTIME[2:0] |                        |                 |                |                   |        |
|         |                 | Reset     | 0                  | 0                   | 0                         | 0                      | 1               | 0              | 1                 | 0      |
|         |                 | Type      | RW1S               | R                   | RW1S                      | RW1S                   | RW1S            | RW1S           | RW1S              | RW1S   |
| 0x0D    | CHG_EOC_CNFG    | Name      | EOC_MODE           | IEOC[6:4]           |                           |                        | EOC_EXIT        | FORCE_BATT_ISO | CHG_RESTART[1:0]  |        |
|         |                 | Reset     | 0                  | 1                   | 0                         | 0                      | 0               | 0              | 0                 | 1      |
|         |                 | Type      | RW1S               | RW                  | RW                        | RW                     | RW1S            | RW1S           | RW1S              | RW1S   |
| 0x0E    | CHG_CURR_CNFG   | Name      | RSVD7              | PRECHGLB_THRSH[6:5] |                           |                        |                 |                | CHG_CC[4:0]       |        |
|         |                 | Reset     | 0                  | 0                   | 0                         | 0                      | 0               | 0              | 0                 | 0      |
|         |                 | Type      | RW                 | RW1S                | RW1S                      | RW1S                   | RW1S            | RW1S           | RW1S              | RW1S   |
| 0x0F    | BATT_REG        | Name      | MINVSYS[7:6]       |                     |                           | CHGCV[5:0]             |                 |                |                   |        |
|         |                 | Reset     | 0                  | 0                   | 1                         | 0                      | 1               | 0              | 1                 | 1      |
|         |                 | Type      | RW1S               | RW1S                | RW1S                      | RW1S                   | RW1S            | RW1S           | RW1S              | RW1S   |
| 0x11    | BATFET_CNFG     | Name      | BOVRC_NOVBUS       | WD_TIME             | BATFET_OC[5:4]            |                        | BOVRC_DISBATFET | WD_BATFET_OFF  | WDTCLR[1:0]       |        |
|         |                 | Reset     | 0                  | 0                   | 1                         | 1                      | 0               | 0              | 0                 | 0      |
|         |                 | Type      | RW                 | RW                  | RW1S                      | RW1S                   | RW1S            | RW             | RW                | RW     |
| 0x12    | THM_REG_CNFG    | Name      | TEMP_FB_EN         | RSVD6               | THM_HOT                   | THM_COLD               | REGTEMP[3:2]    |                | THM_CNFG[1:0]     |        |
|         |                 | Reset     | 0                  | 0                   | 0                         | 0                      | 0               | 1              | 0                 | 1      |
|         |                 | Type      | RW1S               | RW                  | RW1S                      | RW1S                   | RW1S            | RW1S           | RW1S              | RW1S   |
| 0x14    | VBUS_INLIM_CNFG | Name      | VBUS_LIN_ILIM[7:3] |                     |                           |                        |                 | RSVD0[2:0]     |                   |        |
|         |                 | Reset     | 0                  | 1                   | 1                         | 0                      | 1               | 0              | 0                 | 0      |
|         |                 | Type      | RW1S               | RW1S                | RW1S                      | RW1S                   | RW1S            | RW             | RW                | RW     |
| 0x15    | VBUS_LIN_DPM    | Name      | FET_SCALE          | RSVD6               | VIN_DPM_STOP              | PRECHGDBATT_THRSH[4:3] |                 |                | VBUS_DPM_REG[2:0] |        |
|         |                 | Reset     | 0                  | 0                   | 0                         | 0                      | 0               | 0              | 0                 | 0      |
|         |                 | Type      | RW1S               | R                   | RW1S                      | RW1S                   | RW1S            | RW1S           | RW1S              | RW1S   |

Power management integrated circuit (PMIC) for low power application processors

Table 175. Register charger bitmap...continued

| Address | Register name     |       | BITS[7:0]               |          |                   |                |                  |                   |                  |                |
|---------|-------------------|-------|-------------------------|----------|-------------------|----------------|------------------|-------------------|------------------|----------------|
|         |                   |       | 7                       | 6        | 5                 | 4              | 3                | 2                 | 1                | 0              |
| 0x16    | USB_PHY_LDO_CNFG  | Name  | RSVD6[7:6]              |          | RSVD4[5:4]        |                | RSVD3            | USBPHYLDO         | USBPHY           | ACTDISPHY      |
|         |                   | Reset | 0                       | 0        | 0                 | 0              | 0                | 0                 | 0                | 1              |
|         |                   | Type  | RW                      | RW       | RW                | RW             | RW               | RW1S              | RW1S             | RW1S           |
| 0x18    | DBNC_DELAY_TIME   | Name  | RSVD6[7:6]              |          | SYS_WKUP_DLY[5:4] |                | USB_PHY_TDB[3:2] |                   | VBUS_OV_TDB[1:0] |                |
|         |                   | Reset | 0                       | 0        | 0                 | 0              | 0                | 0                 | 0                | 0              |
|         |                   | Type  | RW                      | RW       | RW1S              | RW1S           | RW1S             | RW1S              | RW1S             | RW1S           |
| 0x19    | CHG_INT_CNFG      | Name  | RSVD2[7:2]              |          |                   |                |                  |                   | EOC_INT          | CHG_INT_GEN    |
|         |                   | Reset | 0                       | 0        | 0                 | 0              | 0                | 0                 | 0                | 0              |
|         |                   | Type  | RW                      | RW       | RW                | RW             | RW               | RW                | RW1S             | RW1S           |
| 0x1A    | THM_ADJ_SETTING   | Name  | RSVD6[7:6]              |          | CC_ADJ[5:4]       |                | CV_ADJ[3:2]      |                   | THM_COOL         | THM_WARM       |
|         |                   | Reset | 0                       | 0        | 0                 | 0              | 0                | 0                 | 0                | 0              |
|         |                   | Type  | RW                      | RW       | RW1S              | RW1S           | RW1S             | RW1S              | RW1S             | RW1S           |
| 0x1B    | VBUS2SYS_CNFG     | Name  | RSVD3[7:3]              |          |                   |                | VBUS2SYS_THRSH   | VBUS2SYS_TDB[1:0] |                  |                |
|         |                   | Reset | 0                       | 0        | 0                 | 0              | 0                | 0                 | 0                | 0              |
|         |                   | Type  | RW                      | RW       | RW                | RW             | RW               | RW1S              | RW1S             | RW1S           |
| 0x1C    | LED_PWM           | Name  | LED_EN                  | LED_RAMP | LED_PWM[5:0]      |                |                  |                   |                  |                |
|         |                   | Reset | 0                       | 0        | 0                 | 0              | 0                | 0                 | 0                | 0              |
|         |                   | Type  | RW                      | RW       | RW                | RW             | RW               | RW                | RW               | RW             |
| 0x1D    | FAULT_BATFET_CNFG | Name  | CTRL_CHGR_BETA_SEL[7:6] |          | RSVD5             | TMRFLT_BFET_EN | TSHDN_BFET_EN    | THMSUS_BFET_EN    | WDFLT_BFEET_EN   | OVFLT_BFEET_EN |
|         |                   | Reset | 0                       | 0        | 0                 | 0              | 0                | 0                 | 0                | 0              |
|         |                   | Type  | RW1S                    | RW1S     | RW1S              | RW1S           | RW1S             | RW1S              | RW1S             | RW1S           |
| 0x1E    | LED_CNFG          | Name  | RSVD4[7:6]              |          | LEDOVRD           | LED_CFG        | LED_CURRENT[3:2] |                   | LED_FREQ[1:0]    |                |
|         |                   | Reset | 0                       | 0        | 0                 | 0              | 0                | 0                 | 0                | 0              |
|         |                   | Type  | RW                      | RW       | RW                | RW1S           | RW1S             | RW1S              | RW               | RW             |
| 0x1F    | CHGR_KEY2         | Name  | CHGR_KEY2[7:0]          |          |                   |                |                  |                   |                  |                |
|         |                   | Reset | 0                       | 0        | 0                 | 0              | 0                | 0                 | 0                | 0              |
|         |                   | Type  | RW                      | RW       | RW                | RW             | RW               | RW                | RW               | RW             |

### 12.5 Register OTP bitmap

Table 176. Register OTP bitmap

| Address | Register name          | Value | BIT[7:0]          |                  |                   |        |                   |                        |                        |                        |   |
|---------|------------------------|-------|-------------------|------------------|-------------------|--------|-------------------|------------------------|------------------------|------------------------|---|
|         |                        |       | 7                 | 6                | 5                 | 4      | 3                 | 2                      | 1                      | 0                      |   |
| 0x1C    | <b>OTP_PMIC_CFG0</b>   |       |                   | UNUSED           | UNUSED            | UNUSED |                   | OTP_PWRGD_EN           | OTP_SEQ_CLK_SPEED      | OTP_PWRON_CFG          |   |
|         | A1 (Default)           | 0x00  | 0                 | 0                | 0                 | 0      | 0                 | 0                      | 0                      | 0                      | 0 |
|         | A2                     | 0x04  | 0                 | 0                | 0                 | 0      | 0                 | 0                      | 1                      | 0                      | 0 |
|         | A3                     | 0x04  | 0                 | 0                | 0                 | 0      | 0                 | 0                      | 1                      | 0                      | 0 |
|         | A4                     | 0x04  | 0                 | 0                | 0                 | 0      | 0                 | 0                      | 1                      | 0                      | 0 |
|         | A5                     | 0x04  | 0                 | 0                | 0                 | 0      | 0                 | 0                      | 1                      | 0                      | 0 |
|         | A6                     | 0x04  | 0                 | 0                | 0                 | 0      | 0                 | 0                      | 1                      | 0                      | 0 |
|         | A7                     | 0x04  | 0                 | 0                | 0                 | 0      | 0                 | 0                      | 1                      | 0                      | 0 |
|         | A8                     | 0x04  | 0                 | 0                | 0                 | 0      | 0                 | 0                      | 1                      | 1                      | 0 |
|         | A9                     | 0x04  | 0                 | 0                | 0                 | 0      | 0                 | 0                      | 1                      | 0                      | 0 |
| 0x1D    | <b>OTP_SW1</b>         |       | OTP_SW1_DVSSPEED  | OTP_SW1_RDIS_ENB | OTP_SW1_VOLT[5:0] |        |                   |                        |                        |                        |   |
|         | A1 (Default)           | 0x80  | 1                 | 0                | 0                 | 0      | 0                 | 0                      | 0                      | 0                      | 0 |
|         | A2                     | 0xA0  | 1                 | 0                | 1                 | 0      | 0                 | 0                      | 0                      | 0                      | 0 |
|         | A3                     | 0XBF  | 1                 | 0                | 1                 | 1      | 1                 | 1                      | 1                      | 1                      | 1 |
|         | A4                     | 0XA8  | 1                 | 0                | 1                 | 0      | 1                 | 0                      | 0                      | 0                      | 0 |
|         | A5                     | 0XBF  | 1                 | 0                | 1                 | 1      | 1                 | 1                      | 1                      | 1                      | 1 |
|         | A6                     | 0XB6  | 1                 | 0                | 1                 | 1      | 0                 | 1                      | 1                      | 1                      | 0 |
|         | A7                     | 0XBF  | 1                 | 0                | 1                 | 1      | 1                 | 1                      | 1                      | 1                      | 1 |
|         | A8                     | 0XBF  | 1                 | 0                | 1                 | 1      | 1                 | 1                      | 1                      | 1                      | 1 |
|         | A9                     | 0XBF  | 1                 | 0                | 1                 | 1      | 1                 | 1                      | 1                      | 1                      | 1 |
| 0x1E    | <b>OTP_SW1_SW2</b>     |       | OTP_SW2_VOLT[5:0] |                  |                   |        |                   |                        | OTP_SW1_DVS_SEL        | OTP_SW1_EN_AND_STBY_EN |   |
|         | A1 (Default)           | 0XA3  | 1                 | 0                | 1                 | 0      | 0                 | 0                      | 0                      | 1                      | 1 |
|         | A2                     | 0x05  | 0                 | 0                | 0                 | 0      | 0                 | 0                      | 1                      | 0                      | 1 |
|         | A3                     | 0x09  | 0                 | 0                | 0                 | 0      | 0                 | 1                      | 0                      | 0                      | 1 |
|         | A4                     | 0xC1  | 1                 | 1                | 0                 | 0      | 0                 | 0                      | 0                      | 0                      | 1 |
|         | A5                     | 0x0D  | 0                 | 0                | 0                 | 0      | 0                 | 1                      | 1                      | 0                      | 1 |
|         | A6                     | 0x09  | 0                 | 0                | 0                 | 0      | 0                 | 1                      | 0                      | 0                      | 1 |
|         | A7                     | 0x05  | 0                 | 0                | 0                 | 0      | 0                 | 0                      | 1                      | 0                      | 1 |
|         | A8                     | 0x09  | 0                 | 0                | 0                 | 0      | 0                 | 1                      | 0                      | 0                      | 1 |
|         | A9                     | 0xFF  | 1                 | 1                | 1                 | 1      | 1                 | 1                      | 1                      | 1                      | 1 |
| 0x1F    | <b>OTP_SW2_SW3</b>     |       | OTP_SW3_VOLT[3:0] |                  |                   |        | OTP_SW2_DVS_SEL   | OTP_SW2_EN_AND_STBY_EN | OTP_SW2_DVSSPEED       | OTP_SW2_RDIS_ENB       |   |
|         | A1 (Default)           | 0x04  | 0                 | 0                | 0                 | 0      | 0                 | 0                      | 1                      | 0                      | 0 |
|         | A2                     | 0x0E  | 0                 | 0                | 0                 | 0      | 0                 | 1                      | 1                      | 1                      | 0 |
|         | A3                     | 0xFE  | 1                 | 1                | 1                 | 1      | 1                 | 1                      | 1                      | 1                      | 0 |
|         | A4                     | 0x06  | 0                 | 0                | 0                 | 0      | 0                 | 0                      | 1                      | 1                      | 0 |
|         | A5                     | 0xFE  | 1                 | 1                | 1                 | 1      | 1                 | 1                      | 1                      | 1                      | 0 |
|         | A6                     | 0xFE  | 1                 | 1                | 1                 | 1      | 1                 | 1                      | 1                      | 1                      | 0 |
|         | A7                     | 0x0E  | 0                 | 0                | 0                 | 0      | 0                 | 1                      | 1                      | 1                      | 0 |
|         | A8                     | 0xFE  | 1                 | 1                | 1                 | 1      | 1                 | 1                      | 1                      | 1                      | 0 |
|         | A9                     | 0xCE  | 1                 | 1                | 0                 | 0      | 0                 | 1                      | 1                      | 1                      | 0 |
| 0x20    | <b>OTP_SW3_SWxILIM</b> |       | OTP_SW3_ILIM[1:0] |                  | OTP_SW2_ILIM[1:0] |        | OTP_SW1_ILIM[1:0] |                        | OTP_SW3_EN_AND_STBY_EN | OTP_SW3_RDIS_ENB       |   |
|         | A1 (Default)           | 0XFE  | 1                 | 1                | 1                 | 1      | 1                 | 1                      | 1                      | 0                      |   |
|         | A2                     | 0XFE  | 1                 | 1                | 1                 | 1      | 1                 | 1                      | 1                      | 0                      |   |
|         | A3                     | 0XFE  | 1                 | 1                | 1                 | 1      | 1                 | 1                      | 1                      | 0                      |   |
|         | A4                     | 0XFE  | 1                 | 1                | 1                 | 1      | 1                 | 1                      | 1                      | 0                      |   |
|         | A5                     | 0XFE  | 1                 | 1                | 1                 | 1      | 1                 | 1                      | 1                      | 0                      |   |
|         | A6                     | 0XFE  | 1                 | 1                | 1                 | 1      | 1                 | 1                      | 1                      | 0                      |   |
|         | A7                     | 0XFE  | 1                 | 1                | 1                 | 1      | 1                 | 1                      | 1                      | 0                      |   |
|         | A8                     | 0XFE  | 1                 | 1                | 1                 | 1      | 1                 | 1                      | 1                      | 0                      |   |
|         | A9                     | 0XFE  | 1                 | 1                | 1                 | 1      | 1                 | 1                      | 1                      | 0                      |   |



Power management integrated circuit (PMIC) for low power application processors

Table 176. Register OTP bitmap...continued

| Address | Register name           | Value | BIT[7:0]       |                         |                         |                    |   |                           |                         |   |
|---------|-------------------------|-------|----------------|-------------------------|-------------------------|--------------------|---|---------------------------|-------------------------|---|
|         |                         |       | 7              | 6                       | 5                       | 4                  | 3 | 2                         | 1                       | 0 |
| 0x21    | <b>OTP_VREF_LDO1</b>    |       | OTP_LDO1_LS_EN | OTP_LDO1_VOLT[4:0]      |                         |                    |   | OTP_VREFDDREN_AND_STBY_EN | UNUSED                  |   |
|         | A1 (Default)            | 0x16  | 0              | 0                       | 0                       | 1                  | 0 | 1                         | 1                       | 0 |
|         | A2                      | 0x42  | 0              | 1                       | 0                       | 0                  | 0 | 0                         | 1                       | 0 |
|         | A3                      | 0x42  | 0              | 1                       | 0                       | 0                  | 0 | 0                         | 1                       | 0 |
|         | A4                      | 0x7E  | 0              | 1                       | 1                       | 1                  | 1 | 1                         | 1                       | 0 |
|         | A5                      | 0x42  | 0              | 1                       | 0                       | 0                  | 0 | 0                         | 1                       | 0 |
|         | A6                      | 0x42  | 0              | 1                       | 0                       | 0                  | 0 | 0                         | 1                       | 0 |
|         | A7                      | 0x7E  | 0              | 1                       | 1                       | 1                  | 1 | 1                         | 1                       | 0 |
|         | A8                      | 0x42  | 0              | 1                       | 0                       | 0                  | 0 | 0                         | 1                       | 0 |
|         | A9                      | 0x6A  | 0              | 1                       | 1                       | 0                  | 1 | 0                         | 1                       | 0 |
| 0x22    | <b>OTP_LDO1_LDO2</b>    |       | UNUSED         | OTP_LDO2_EN_AND_STBY_EN | UNUSED                  | OTP_LDO2_VOLT[3:0] |   |                           | OTP_LDO1_EN_AND_STBY_EN |   |
|         | A1 (Default)            | 0x4F  | 0              | 1                       | 0                       | 0                  | 1 | 1                         | 1                       | 1 |
|         | A2                      | 0x5F  | 0              | 1                       | 0                       | 1                  | 1 | 1                         | 1                       | 1 |
|         | A3                      | 0x5F  | 0              | 1                       | 0                       | 1                  | 1 | 1                         | 1                       | 1 |
|         | A4                      | 0x5F  | 0              | 1                       | 0                       | 1                  | 1 | 1                         | 1                       | 1 |
|         | A5                      | 0x5F  | 0              | 1                       | 0                       | 1                  | 1 | 1                         | 1                       | 1 |
|         | A6                      | 0x5F  | 0              | 1                       | 0                       | 1                  | 1 | 1                         | 1                       | 1 |
|         | A7                      | 0x5F  | 0              | 1                       | 0                       | 1                  | 1 | 1                         | 1                       | 1 |
|         | A8                      | 0x5F  | 0              | 1                       | 0                       | 1                  | 1 | 1                         | 1                       | 1 |
|         | A9                      | 0x5F  | 0              | 1                       | 0                       | 1                  | 1 | 1                         | 1                       | 1 |
| 0x23    | <b>OTP_LDO3</b>         |       | UNUSED         | OTP_LDO3_EN_AND_STBY_EN | OTP_LDO3_LS_EN          | OTP_LDO3_VOLT[4:0] |   |                           |                         |   |
|         | A1 (Default)            | 0x65  | 0              | 1                       | 1                       | 0                  | 0 | 1                         | 0                       | 1 |
|         | A2                      | 0x50  | 0              | 1                       | 0                       | 1                  | 0 | 0                         | 0                       | 0 |
|         | A3                      | 0x5F  | 0              | 1                       | 0                       | 1                  | 1 | 1                         | 1                       | 1 |
|         | A4                      | 0x50  | 0              | 1                       | 0                       | 1                  | 0 | 0                         | 0                       | 0 |
|         | A5                      | 0x5F  | 0              | 1                       | 0                       | 1                  | 1 | 1                         | 1                       | 1 |
|         | A6                      | 0x5F  | 0              | 1                       | 0                       | 1                  | 1 | 1                         | 1                       | 1 |
|         | A7                      | 0x5F  | 0              | 1                       | 0                       | 1                  | 1 | 1                         | 1                       | 1 |
|         | A8                      | 0x5F  | 0              | 1                       | 0                       | 1                  | 1 | 1                         | 1                       | 1 |
|         | A9                      | 0x50  | 0              | 1                       | 0                       | 1                  | 0 | 0                         | 0                       | 0 |
| 0x24    | <b>OTP_PMIC_CFG1</b>    |       | UNUSED         | OTP_UVDET[1:0]          |                         | OTP_POR_DLY[2:0]   |   |                           | OTP_TGRESET[1:0]        |   |
|         | A1 (Default)            | 0x40  | 0              | 1                       | 0                       | 0                  | 0 | 0                         | 0                       | 0 |
|         | A2                      | 0x40  | 0              | 1                       | 0                       | 0                  | 0 | 0                         | 0                       | 0 |
|         | A3                      | 0x40  | 0              | 1                       | 0                       | 0                  | 0 | 0                         | 0                       | 0 |
|         | A4                      | 0x40  | 0              | 1                       | 0                       | 0                  | 0 | 0                         | 0                       | 0 |
|         | A5                      | 0x40  | 0              | 1                       | 0                       | 0                  | 0 | 0                         | 0                       | 0 |
|         | A6                      | 0x40  | 0              | 1                       | 0                       | 0                  | 0 | 0                         | 0                       | 0 |
|         | A7                      | 0x40  | 0              | 1                       | 0                       | 0                  | 0 | 0                         | 0                       | 0 |
|         | A8                      | 0x40  | 0              | 1                       | 0                       | 0                  | 0 | 0                         | 0                       | 0 |
|         | A9                      | 0x40  | 0              | 1                       | 0                       | 0                  | 0 | 0                         | 0                       | 0 |
| 0x25    | <b>OTP_SW1_SW2_SEQ</b>  |       | UNUSED         | UNUSED                  | OTP_SW2_PWRUP_SEQ[2:0]  |                    |   | OTP_SW1_PWRUP_SEQ[2:0]    |                         |   |
|         | A1 (Default)            | 0x11  | 0              | 0                       | 0                       | 1                  | 0 | 0                         | 0                       | 1 |
|         | A2                      | 0x2D  | 0              | 0                       | 1                       | 0                  | 1 | 1                         | 0                       | 1 |
|         | A3                      | 0x1B  | 0              | 0                       | 0                       | 1                  | 1 | 0                         | 1                       | 1 |
|         | A4                      | 0x1C  | 0              | 0                       | 0                       | 1                  | 1 | 1                         | 0                       | 0 |
|         | A5                      | 0x1B  | 0              | 0                       | 0                       | 1                  | 1 | 0                         | 1                       | 1 |
|         | A6                      | 0x1B  | 0              | 0                       | 0                       | 1                  | 1 | 0                         | 1                       | 1 |
|         | A7                      | 0x1B  | 0              | 0                       | 0                       | 1                  | 1 | 0                         | 1                       | 1 |
|         | A8                      | 0x1B  | 0              | 0                       | 0                       | 1                  | 1 | 0                         | 1                       | 1 |
|         | A9                      | 0x1B  | 0              | 0                       | 0                       | 1                  | 1 | 0                         | 1                       | 1 |
| 0x26    | <b>OTP_SW3_LDO1_SEQ</b> |       | UNUSED         | UNUSED                  | OTP_LDO1_PWRUP_SEQ[2:0] |                    |   | OTP_SW3_PWRUP_SEQ[2:0]    |                         |   |
|         | A1 (Default)            | 0x23  | 0              | 0                       | 1                       | 0                  | 0 | 0                         | 1                       | 1 |

Power management integrated circuit (PMIC) for low power application processors

Table 176. Register OTP bitmap...continued

| Address      | Register name            | Value | BIT[7:0]                     |                              |                         |        |                                |                            |                    |                             |
|--------------|--------------------------|-------|------------------------------|------------------------------|-------------------------|--------|--------------------------------|----------------------------|--------------------|-----------------------------|
|              |                          |       | 7                            | 6                            | 5                       | 4      | 3                              | 2                          | 1                  | 0                           |
| A2           |                          | 0x09  | 0                            | 0                            | 0                       | 0      | 1                              | 0                          | 0                  | 1                           |
| A3           |                          | 0x1B  | 0                            | 0                            | 0                       | 1      | 1                              | 0                          | 1                  | 1                           |
| A4           |                          | 0x0A  | 0                            | 0                            | 0                       | 0      | 1                              | 0                          | 1                  | 0                           |
| A5           |                          | 0x1B  | 0                            | 0                            | 0                       | 1      | 1                              | 0                          | 1                  | 1                           |
| A6           |                          | 0x1B  | 0                            | 0                            | 0                       | 1      | 1                              | 0                          | 1                  | 1                           |
| A7           |                          | 0x1B  | 0                            | 0                            | 0                       | 1      | 1                              | 0                          | 1                  | 1                           |
| A8           |                          | 0x1B  | 0                            | 0                            | 0                       | 1      | 1                              | 0                          | 1                  | 1                           |
| A9           |                          | 0x1B  | 0                            | 0                            | 0                       | 1      | 1                              | 0                          | 1                  | 1                           |
| 0x27         | <b>OTP_LDO2_LDO3_SEQ</b> |       | UNUSED                       | UNUSED                       | OTP_LDO3_PWRUP_SEQ[2:0] |        |                                | OTP_LDO2_PWRUP_SEQ[2:0]    |                    |                             |
| A1 (Default) |                          | 0x2C  | 0                            | 0                            | 1                       | 0      | 1                              | 1                          | 0                  | 0                           |
| A2           |                          | 0x09  | 0                            | 0                            | 0                       | 0      | 1                              | 0                          | 0                  | 1                           |
| A3           |                          | 0x1A  | 0                            | 0                            | 0                       | 1      | 1                              | 0                          | 1                  | 0                           |
| A4           |                          | 0x0A  | 0                            | 0                            | 0                       | 0      | 1                              | 0                          | 1                  | 0                           |
| A5           |                          | 0x1A  | 0                            | 0                            | 0                       | 1      | 1                              | 0                          | 1                  | 0                           |
| A6           |                          | 0x1A  | 0                            | 0                            | 0                       | 1      | 1                              | 0                          | 1                  | 0                           |
| A7           |                          | 0x1A  | 0                            | 0                            | 0                       | 1      | 1                              | 0                          | 1                  | 0                           |
| A8           |                          | 0x1A  | 0                            | 0                            | 0                       | 1      | 1                              | 0                          | 1                  | 0                           |
| A9           |                          | 0x1B  | 0                            | 0                            | 0                       | 1      | 1                              | 0                          | 1                  | 1                           |
| 0x28         | <b>OTP_PMIC_CFG2</b>     |       | OTP_SHIP_COREOFF_CYA         | OTP_I2C_SLV_ADDR[2:0]        |                         |        | OTP_I2C_DEGLITCH_EN[0]         | OTP_VREFDDR_PWRUP_SEQ[2:0] |                    |                             |
| A1 (Default) |                          | 0x05  | 0                            | 0                            | 0                       | 0      | 0                              | 1                          | 0                  | 1                           |
| A2           |                          | 0x05  | 0                            | 0                            | 0                       | 0      | 0                              | 1                          | 0                  | 1                           |
| A3           |                          | 0x03  | 0                            | 0                            | 0                       | 0      | 0                              | 0                          | 1                  | 1                           |
| A4           |                          | 0x03  | 0                            | 0                            | 0                       | 0      | 0                              | 0                          | 1                  | 1                           |
| A5           |                          | 0x03  | 0                            | 0                            | 0                       | 0      | 0                              | 0                          | 1                  | 1                           |
| A6           |                          | 0x03  | 0                            | 0                            | 0                       | 0      | 0                              | 0                          | 1                  | 1                           |
| A7           |                          | 0x03  | 0                            | 0                            | 0                       | 0      | 0                              | 0                          | 1                  | 1                           |
| A8           |                          | 0x03  | 0                            | 0                            | 0                       | 0      | 0                              | 0                          | 1                  | 1                           |
| A9           |                          | 0x03  | 0                            | 0                            | 0                       | 0      | 0                              | 0                          | 1                  | 1                           |
| 0x29         | <b>RSVD</b>              |       | UNUSED                       | UNUSED                       | UNUSED                  | UNUSED | Reserved (OTP_VSNVS_VOLT[2:0]) |                            |                    | Reserved (OTP_FORCE_LICELL) |
| A1 (Default) |                          | 0x00  | 0                            | 0                            | 0                       | 0      | 0                              | 0                          | 0                  | 0                           |
| A2           |                          | 0x00  | 0                            | 0                            | 0                       | 0      | 0                              | 0                          | 0                  | 0                           |
| A3           |                          | 0x00  | 0                            | 0                            | 0                       | 0      | 0                              | 0                          | 0                  | 0                           |
| A4           |                          | 0x00  | 0                            | 0                            | 0                       | 0      | 0                              | 0                          | 0                  | 0                           |
| A5           |                          | 0x00  | 0                            | 0                            | 0                       | 0      | 0                              | 0                          | 0                  | 0                           |
| A6           |                          | 0x00  | 0                            | 0                            | 0                       | 0      | 0                              | 0                          | 0                  | 0                           |
| A7           |                          | 0x00  | 0                            | 0                            | 0                       | 0      | 0                              | 0                          | 0                  | 0                           |
| A8           |                          | 0x00  | 0                            | 0                            | 0                       | 0      | 0                              | 0                          | 0                  | 0                           |
| A9           |                          | 0x00  | 0                            | 0                            | 0                       | 0      | 0                              | 0                          | 0                  | 0                           |
| 0x2A         | <b>RSVD</b>              |       | OTP_PMIC_SPARE0[7:0]         |                              |                         |        |                                |                            |                    |                             |
| A1 (Default) |                          | 0x00  | 0                            | 0                            | 0                       | 0      | 0                              | 0                          | 0                  | 0                           |
| A2           |                          | 0x00  | 0                            | 0                            | 0                       | 0      | 0                              | 0                          | 0                  | 0                           |
| A3           |                          | 0x00  | 0                            | 0                            | 0                       | 0      | 0                              | 0                          | 0                  | 0                           |
| A4           |                          | 0x00  | 0                            | 0                            | 0                       | 0      | 0                              | 0                          | 0                  | 0                           |
| A5           |                          | 0x00  | 0                            | 0                            | 0                       | 0      | 0                              | 0                          | 0                  | 0                           |
| A6           |                          | 0x00  | 0                            | 0                            | 0                       | 0      | 0                              | 0                          | 0                  | 0                           |
| A7           |                          | 0x00  | 0                            | 0                            | 0                       | 0      | 0                              | 0                          | 0                  | 0                           |
| A8           |                          | 0x00  | 0                            | 0                            | 0                       | 0      | 0                              | 0                          | 0                  | 0                           |
| A9           |                          | 0x00  | 0                            | 0                            | 0                       | 0      | 0                              | 0                          | 0                  | 0                           |
| 0x2B         | <b>OTP_CHG_CFG0</b>      |       | Reserved (OTP_CHGR_THM_WARM) | Reserved (OTP_CHGR_THM_COOL) | OTP_CHGR_EOCTIME[2:0]   |        |                                | OTP_CHGR_TPCHG             | OTP_CHGR_OPER[1:0] |                             |
| A1 (Default) |                          | 0x02  | 0                            | 0                            | 0                       | 0      | 0                              | 0                          | 1                  | 0                           |
| A2           |                          | 0x01  | 0                            | 0                            | 0                       | 0      | 0                              | 0                          | 0                  | 1                           |
| A3           |                          | 0x02  | 0                            | 0                            | 0                       | 0      | 0                              | 0                          | 1                  | 0                           |
| A4           |                          | 0x02  | 0                            | 0                            | 0                       | 0      | 0                              | 0                          | 1                  | 0                           |
| A5           |                          | 0x02  | 0                            | 0                            | 0                       | 0      | 0                              | 0                          | 1                  | 0                           |
| A6           |                          | 0x01  | 0                            | 0                            | 0                       | 0      | 0                              | 0                          | 0                  | 1                           |

Power management integrated circuit (PMIC) for low power application processors

Table 176. Register OTP bitmap...continued

| Address      | Register name       | Value | BIT[7:0]                  |                        |                                    |                              |                              |                        |                    |                          |
|--------------|---------------------|-------|---------------------------|------------------------|------------------------------------|------------------------------|------------------------------|------------------------|--------------------|--------------------------|
|              |                     |       | 7                         | 6                      | 5                                  | 4                            | 3                            | 2                      | 1                  | 0                        |
| A7           |                     | 0x02  | 0                         | 0                      | 0                                  | 0                            | 0                            | 0                      | 1                  | 0                        |
| A8           |                     | 0x02  | 0                         | 0                      | 0                                  | 0                            | 0                            | 0                      | 1                  | 0                        |
| A9           |                     | 0x01  | 0                         | 0                      | 0                                  | 0                            | 0                            | 0                      | 0                  | 1                        |
| 0x2C         | <b>OTP_CHG_CFG1</b> |       | OTP_CHGR_CHG_RESTART[1:0] |                        | Reserved (OTP_CHGR_FORCE_BATT_ISO) | Reserved (OTP_CHGR_EOC_EXIT) | Reserved (OTP_CHGR_EOC_MODE) | OTP_CHGR_FCHGTIME[2:0] |                    |                          |
| A1 (Default) |                     | 0x00  | 0                         | 0                      | 0                                  | 0                            | 0                            | 0                      | 0                  | 0                        |
| A2           |                     | 0x00  | 0                         | 0                      | 0                                  | 0                            | 0                            | 0                      | 0                  | 0                        |
| A3           |                     | 0x00  | 0                         | 0                      | 0                                  | 0                            | 0                            | 0                      | 0                  | 0                        |
| A4           |                     | 0x00  | 0                         | 0                      | 0                                  | 0                            | 0                            | 0                      | 0                  | 0                        |
| A5           |                     | 0x00  | 0                         | 0                      | 0                                  | 0                            | 0                            | 0                      | 0                  | 0                        |
| A6           |                     | 0x00  | 0                         | 0                      | 0                                  | 0                            | 0                            | 0                      | 0                  | 0                        |
| A7           |                     | 0x00  | 0                         | 0                      | 0                                  | 0                            | 0                            | 0                      | 0                  | 0                        |
| A8           |                     | 0x00  | 0                         | 0                      | 0                                  | 0                            | 0                            | 0                      | 0                  | 0                        |
| A9           |                     | 0x00  | 0                         | 0                      | 0                                  | 0                            | 0                            | 0                      | 0                  | 0                        |
| 0x2D         | <b>OTP_CHG_CFG2</b> |       | OTP_CHGR_VSYSMIN[1:0]     |                        | OTP_CHGR_CHG_CC[4:0]               |                              |                              |                        | OTP_CHGR_TEMPFB_EN |                          |
| A1 (Default) |                     | 0x80  | 1                         | 0                      | 0                                  | 0                            | 0                            | 0                      | 0                  | 0                        |
| A2           |                     | 0x80  | 1                         | 0                      | 0                                  | 0                            | 0                            | 0                      | 0                  | 0                        |
| A3           |                     | 0x80  | 1                         | 0                      | 0                                  | 0                            | 0                            | 0                      | 0                  | 0                        |
| A4           |                     | 0x90  | 1                         | 0                      | 0                                  | 1                            | 0                            | 0                      | 0                  | 0                        |
| A5           |                     | 0x80  | 1                         | 0                      | 0                                  | 0                            | 0                            | 0                      | 0                  | 0                        |
| A6           |                     | 0x40  | 0                         | 1                      | 0                                  | 0                            | 0                            | 0                      | 0                  | 0                        |
| A7           |                     | 0x80  | 1                         | 0                      | 0                                  | 0                            | 0                            | 0                      | 0                  | 0                        |
| A8           |                     | 0x80  | 1                         | 0                      | 0                                  | 0                            | 0                            | 0                      | 0                  | 0                        |
| A9           |                     | 0x40  | 0                         | 1                      | 0                                  | 0                            | 0                            | 0                      | 0                  | 0                        |
| 0x2E         | <b>OTP_CHG_CFG3</b> |       | OTP_CHGR_BATFET_OC[1:0]   |                        | OTP_CHGR_CHGCV[5:0]                |                              |                              |                        |                    |                          |
| A1 (Default) |                     | 0x2B  | 0                         | 0                      | 1                                  | 0                            | 1                            | 0                      | 1                  | 1                        |
| A2           |                     | 0x2B  | 0                         | 0                      | 1                                  | 0                            | 1                            | 0                      | 1                  | 1                        |
| A3           |                     | 0x2B  | 0                         | 0                      | 1                                  | 0                            | 1                            | 0                      | 1                  | 1                        |
| A4           |                     | 0x2B  | 0                         | 0                      | 1                                  | 0                            | 1                            | 0                      | 1                  | 1                        |
| A5           |                     | 0x2B  | 0                         | 0                      | 1                                  | 0                            | 1                            | 0                      | 1                  | 1                        |
| A6           |                     | 0x2B  | 0                         | 0                      | 1                                  | 0                            | 1                            | 0                      | 1                  | 1                        |
| A7           |                     | 0x2B  | 0                         | 0                      | 1                                  | 0                            | 1                            | 0                      | 1                  | 1                        |
| A8           |                     | 0x2B  | 0                         | 0                      | 1                                  | 0                            | 1                            | 0                      | 1                  | 1                        |
| A9           |                     | 0x2B  | 0                         | 0                      | 1                                  | 0                            | 1                            | 0                      | 1                  | 1                        |
| 0x2F         | <b>OTP_CHG_CFG4</b> |       | UNUSED                    | OTP_CHGR_THM_CNFG[1:0] |                                    | OTP_CHGR_REGTEMP[1:0]        |                              | OTP_CHGR_THM_COLD      | OTP_CHGR_THM_HOT   | OTP_CHGR_BOVRC_DISBATFET |
| A1 (Default) |                     | 0x00  | 0                         | 0                      | 0                                  | 0                            | 0                            | 0                      | 0                  | 0                        |
| A2           |                     | 0x00  | 0                         | 0                      | 0                                  | 0                            | 0                            | 0                      | 0                  | 0                        |
| A3           |                     | 0x00  | 0                         | 0                      | 0                                  | 0                            | 0                            | 0                      | 0                  | 0                        |
| A4           |                     | 0x00  | 0                         | 0                      | 0                                  | 0                            | 0                            | 0                      | 0                  | 0                        |
| A5           |                     | 0x00  | 0                         | 0                      | 0                                  | 0                            | 0                            | 0                      | 0                  | 0                        |
| A6           |                     | 0x00  | 0                         | 0                      | 0                                  | 0                            | 0                            | 0                      | 0                  | 0                        |
| A7           |                     | 0x00  | 0                         | 0                      | 0                                  | 0                            | 0                            | 0                      | 0                  | 0                        |
| A8           |                     | 0x00  | 0                         | 0                      | 0                                  | 0                            | 0                            | 0                      | 0                  | 0                        |
| A9           |                     | 0x00  | 0                         | 0                      | 0                                  | 0                            | 0                            | 0                      | 0                  | 0                        |
| 0x30         | <b>OTP_CHG_CFG5</b> |       | UNUSED                    | UNUSED                 | OTP_CHGR_VIN_DPM_STOP              | OTP_CHGR_VBUS_LIN_ILIM[4:0]  |                              |                        |                    |                          |
| A1 (Default) |                     | 0x0E  | 0                         | 0                      | 0                                  | 0                            | 1                            | 1                      | 1                  | 0                        |
| A2           |                     | 0x14  | 0                         | 0                      | 0                                  | 1                            | 0                            | 1                      | 0                  | 0                        |
| A3           |                     | 0x14  | 0                         | 0                      | 0                                  | 1                            | 0                            | 1                      | 0                  | 0                        |
| A4           |                     | 0x14  | 0                         | 0                      | 0                                  | 1                            | 0                            | 1                      | 0                  | 0                        |
| A5           |                     | 0x14  | 0                         | 0                      | 0                                  | 1                            | 0                            | 1                      | 0                  | 0                        |
| A6           |                     | 0x14  | 0                         | 0                      | 0                                  | 1                            | 0                            | 1                      | 0                  | 0                        |
| A7           |                     | 0x14  | 0                         | 0                      | 0                                  | 1                            | 0                            | 1                      | 0                  | 0                        |
| A8           |                     | 0x14  | 0                         | 0                      | 0                                  | 1                            | 0                            | 1                      | 0                  | 0                        |
| A9           |                     | 0x14  | 0                         | 0                      | 0                                  | 1                            | 0                            | 1                      | 0                  | 0                        |

Table 176. Register OTP bitmap...continued

| Address | Register name        | Value | BIT[7:0]                   |                           |                        |                               |   |                                      |                                    |   |
|---------|----------------------|-------|----------------------------|---------------------------|------------------------|-------------------------------|---|--------------------------------------|------------------------------------|---|
|         |                      |       | 7                          | 6                         | 5                      | 4                             | 3   | 2                                    | 1                                  | 0 |
| 0x31    | <b>OTP_CHG_CFG6</b>  |       | OTP_CHGR_SYS_WKUP_DLY[1:0] |                           | OTP_CHGR_ACTDISPHY     | OTP_CHGR_USBPHY               | OTP_CHGR_USBPHYLDO                            | OTP_CHGR_VBUS_DPM_REG[2:0]           |                                    |   |
|         | A1 (Default)         | 0x00  | 0                          | 0                         | 0                      | 0                             | 0   | 0                                    | 0                                  | 0 |
|         | A2                   | 0x28  | 0                          | 0                         | 1                      | 0                             | 1   | 0                                    | 0                                  | 0 |
|         | A3                   | 0x28  | 0                          | 0                         | 1                      | 0                             | 1   | 0                                    | 0                                  | 0 |
|         | A4                   | 0x2E  | 0                          | 0                         | 1                      | 0                             | 1   | 1                                    | 1                                  | 0 |
|         | A5                   | 0x28  | 0                          | 0                         | 1                      | 0                             | 1   | 0                                    | 0                                  | 0 |
|         | A6                   | 0x28  | 0                          | 0                         | 1                      | 0                             | 1   | 0                                    | 0                                  | 0 |
|         | A7                   | 0x28  | 0                          | 0                         | 1                      | 0                             | 1   | 0                                    | 0                                  | 0 |
|         | A8                   | 0x28  | 0                          | 0                         | 1                      | 0                             | 1   | 0                                    | 0                                  | 0 |
|         | A9                   | 0x28  | 0                          | 0                         | 1                      | 0                             | 1   | 0                                    | 0                                  | 0 |
| 0x32    | <b>OTP_CHG_CFG7</b>  |       | OTP_CHGR_CC_ADJ[1:0]       |                           | OTP_CHGR_CHG_INT_EN    | OTP_CHGR_EOC_INT              | OTP_CHGR_VBUS_OV_TDB[1:0]                     | Reserved (OTP_CHGR_USB_PHY_TDB[1:0]) |                                    |   |
|         | A1 (Default)         | 0x04  | 0                          | 0                         | 0                      | 0                             | 0   | 1                                    | 0                                  | 0 |
|         | A2                   | 0x04  | 0                          | 0                         | 0                      | 0                             | 0   | 1                                    | 0                                  | 0 |
|         | A3                   | 0x04  | 0                          | 0                         | 0                      | 0                             | 0   | 1                                    | 0                                  | 0 |
|         | A4                   | 0x14  | 0                          | 0                         | 0                      | 1                             | 0   | 1                                    | 0                                  | 0 |
|         | A5                   | 0x04  | 0                          | 0                         | 0                      | 0                             | 0   | 1                                    | 0                                  | 0 |
|         | A6                   | 0x04  | 0                          | 0                         | 0                      | 0                             | 0   | 1                                    | 0                                  | 0 |
|         | A7                   | 0x04  | 0                          | 0                         | 0                      | 0                             | 0   | 1                                    | 0                                  | 0 |
|         | A8                   | 0x04  | 0                          | 0                         | 0                      | 0                             | 0   | 1                                    | 0                                  | 0 |
|         | A9                   | 0x04  | 0                          | 0                         | 0                      | 0                             | 0   | 1                                    | 0                                  | 0 |
| 0x33    | <b>OTP_CHG_CFG8</b>  |       | UNUSED                     | OTP_CHGR_LED_CURRENT[1:0] |                        | OTP_CHGR_VBUS2SYS_TDB[1:0]    |   | OTP_CHGR_VBUS2SYS_THRSH              | OTP_CHGR_CV_ADJ[1:0]               |   |
|         | A1 (Default)         | 0x28  | 0                          | 0                         | 1                      | 0                             | 1   | 0                                    | 0                                  | 0 |
|         | A2                   | 0x28  | 0                          | 0                         | 1                      | 0                             | 1   | 0                                    | 0                                  | 0 |
|         | A3                   | 0x28  | 0                          | 0                         | 1                      | 0                             | 1   | 0                                    | 0                                  | 0 |
|         | A4                   | 0x28  | 0                          | 0                         | 1                      | 0                             | 1   | 0                                    | 0                                  | 0 |
|         | A5                   | 0x28  | 0                          | 0                         | 1                      | 0                             | 1   | 0                                    | 0                                  | 0 |
|         | A6                   | 0x28  | 0                          | 0                         | 1                      | 0                             | 1   | 0                                    | 0                                  | 0 |
|         | A7                   | 0x28  | 0                          | 0                         | 1                      | 0                             | 1   | 0                                    | 0                                  | 0 |
|         | A8                   | 0x28  | 0                          | 0                         | 1                      | 0                             | 1   | 0                                    | 0                                  | 0 |
|         | A9                   | 0x28  | 0                          | 0                         | 1                      | 0                             | 1   | 0                                    | 0                                  | 0 |
| 0x34    | <b>OTP_CHG_CFG9</b>  |       | OTP_CHGR_LED_CNFG          | OTP_CHGR_OVFLT_BFET_EN    | OTP_CHGR_WDFLT_BFET_EN | OTP_CHGR_THMSUS_BFET_EN       | OTP_CHGR_TSHDN_BFET_EN                        | OTP_CHGR_TMRFLT_BFET_EN              | Reserved (OTP_CHGR_BETA_SEL[1:0])  |   |
|         | A1 (Default)         | 0x00  | 0                          | 0                         | 0                      | 0                             | 0   | 0                                    | 0                                  | 0 |
|         | A2                   | 0x00  | 0                          | 0                         | 0                      | 0                             | 0   | 0                                    | 0                                  | 0 |
|         | A3                   | 0x00  | 0                          | 0                         | 0                      | 0                             | 0   | 0                                    | 0                                  | 0 |
|         | A4                   | 0x00  | 0                          | 0                         | 0                      | 0                             | 0   | 0                                    | 0                                  | 0 |
|         | A5                   | 0x00  | 0                          | 0                         | 0                      | 0                             | 0   | 0                                    | 0                                  | 0 |
|         | A6                   | 0x00  | 0                          | 0                         | 0                      | 0                             | 0   | 0                                    | 0                                  | 0 |
|         | A7                   | 0x00  | 0                          | 0                         | 0                      | 0                             | 0   | 0                                    | 0                                  | 0 |
|         | A8                   | 0x00  | 0                          | 0                         | 0                      | 0                             | 0   | 0                                    | 0                                  | 0 |
|         | A9                   | 0x00  | 0                          | 0                         | 0                      | 0                             | 0   | 0                                    | 0                                  | 0 |
| 0x35    | <b>OTP_CHG_CFG10</b> |       | UNUSED                     | UNUSED                    | UNUSED                 | Reserved (OTP_CHGR_FET_SCALE) | Reserved (OTP_CHGR_PRECHG_LOWBATT_THRSH[1:0]) |                                      | OTP_CHGR_PRECHG_LOWBATT_THRSH[1:0] |   |
|         | A1 (Default)         | 0x00  | 0                          | 0                         | 0                      | 0                             | 0   | 0                                    | 0                                  | 0 |
|         | A2                   | 0x00  | 0                          | 0                         | 0                      | 0                             | 0   | 0                                    | 0                                  | 0 |
|         | A3                   | 0x00  | 0                          | 0                         | 0                      | 0                             | 0   | 0                                    | 0                                  | 0 |
|         | A4                   | 0x00  | 0                          | 0                         | 0                      | 0                             | 0   | 0                                    | 0                                  | 0 |
|         | A5                   | 0x00  | 0                          | 0                         | 0                      | 0                             | 0   | 0                                    | 0                                  | 0 |
|         | A6                   | 0x00  | 0                          | 0                         | 0                      | 0                             | 0   | 0                                    | 0                                  | 0 |
|         | A7                   | 0x00  | 0                          | 0                         | 0                      | 0                             | 0   | 0                                    | 0                                  | 0 |
|         | A8                   | 0x00  | 0                          | 0                         | 0                      | 0                             | 0   | 0                                    | 0                                  | 0 |
|         | A9                   | 0x00  | 0                          | 0                         | 0                      | 0                             | 0   | 0                                    | 0                                  | 0 |
| 0x36    | <b>RSVD</b>          |       | OTP_CHGR_SPARE0[7:0]       |                           |                        |                               |   |                                      |                                    |   |
|         | A1 (Default)         | 0x00  | 0                          | 0                         | 0                      | 0                             | 0   | 0                                    | 0                                  | 0 |
|         | A2                   | 0x00  | 0                          | 0                         | 0                      | 0                             | 0   | 0                                    | 0                                  | 0 |

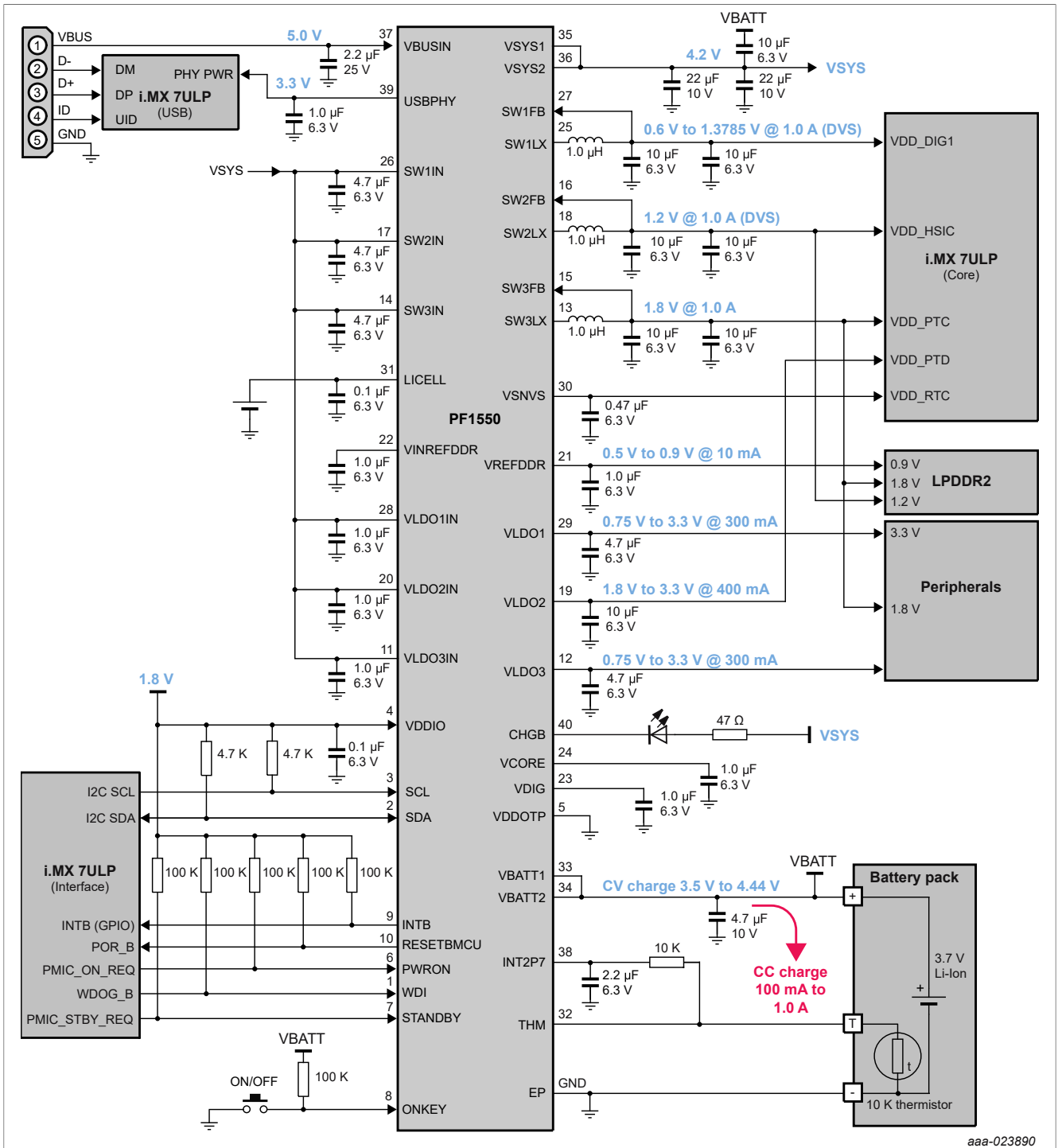
Table 176. Register OTP bitmap...continued

| Address | Register name      | Value     | BIT[7:0] |   |   |   |   |   |   |   |
|---------|--------------------|-----------|----------|---|---|---|---|---|---|---|
|         |                    |           | 7        | 6 | 5 | 4 | 3 | 2 | 1 | 0 |
| A3      |                    | 0x00      | 0        | 0 | 0 | 0 | 0 | 0 | 0 | 0 |
| A4      |                    | 0x00      | 0        | 0 | 0 | 0 | 0 | 0 | 0 | 0 |
| A5      |                    | 0x00      | 0        | 0 | 0 | 0 | 0 | 0 | 0 | 0 |
| A6      |                    | 0x00      | 0        | 0 | 0 | 0 | 0 | 0 | 0 | 0 |
| A7      |                    | 0x00      | 0        | 0 | 0 | 0 | 0 | 0 | 0 | 0 |
| A8      |                    | 0x00      | 0        | 0 | 0 | 0 | 0 | 0 | 0 | 0 |
| A9      |                    | 0x00      | 0        | 0 | 0 | 0 | 0 | 0 | 0 | 0 |
| 0x37    | <b>OTP_CRC_LSB</b> | CRC[1]LSB | —        | — | — | — | — | — | — | — |
|         | A1 (Default)       | 0xB5      | 1        | 0 | 1 | 1 | 0 | 1 | 0 | 1 |
|         | A2                 | 0xB5      | 1        | 0 | 1 | 1 | 0 | 1 | 0 | 1 |
|         | A3                 | 0xB5      | 1        | 0 | 1 | 1 | 0 | 1 | 0 | 1 |
|         | A4                 | 0xB5      | 1        | 0 | 1 | 1 | 0 | 1 | 0 | 1 |
|         | A5                 | 0xB5      | 1        | 0 | 1 | 1 | 0 | 1 | 0 | 1 |
|         | A6                 | 0xB5      | 1        | 0 | 1 | 1 | 0 | 1 | 0 | 1 |
|         | A7                 | 0xB5      | 1        | 0 | 1 | 1 | 0 | 1 | 0 | 1 |
|         | A8                 | 0xB5      | 1        | 0 | 1 | 1 | 0 | 1 | 0 | 1 |
|         | A9                 | 0xB5      | 1        | 0 | 1 | 1 | 0 | 1 | 0 | 1 |

## 13 Application details

### 13.1 Example schematic

[Figure 28](#) shows a typical schematic of the PF1550 with key external components.



aaa-023890

Figure 28. Typical schematic

### 13.2 Bill of materials

The following table shows an example bill of materials to be used with the PF1550.

## Power management integrated circuit (PMIC) for low power application processors

Table 177. Bill of materials

| Block   | Function   | Description                                 | Qty |
|---------|--|---|-----|
| VCORE   | Analog IC supply                                       | CAP CER 1.0 $\mu$ F 6.3 V 20 % X5R 0201     | 1   |
| VDIG    | Digital IC supply                                      | CAP CER 1.0 $\mu$ F 6.3 V 20 % X5R 0201     | 1   |
| INT2P7  | Charger analog supply                                  | CAP CER 2.2 $\mu$ F 6.3 V 20% X5R 0201      | 1   |
| USBPHY  | USB PHY output capacitor                               | CAP CER 1.0 $\mu$ F 6.3 V 20 % X5R 0201     | 1   |
| VBUSIN  | VBUSIN bypass capacitor                                | CAP CER 2.2 $\mu$ F 25 V 20 % X5R 0402      | 1   |
| VSYS    | VSYS capacitor   | 22 $\mu$ F, 10 V, MLCC, X5R                 | 2   |
| VBATT   | Bypass capacitor between VBATT and VSYS <sup>[1]</sup> | 10 $\mu$ F, 6.3 V, MLCC, X5R                | 1   |
| VDDIO   | VDDIO bypass capacitor                                 | CAP CER 0.1 $\mu$ F 6.3 V 20 % X5R 0201     | 1   |
| THM     | Thermistor bias resistor                               | 10 kOhm, 0201                               | 1   |
| Buck 1  | BUCK1 inductor   | 1.0 $\mu$ H, +/-20 %, 120 mOhm typ, 1700 mA | 1   |
|         | BUCK1 input capacitor                                  | 4.7 $\mu$ F, 6.3 V, MLCC, X5R               | 1   |
|         | BUCK1 output capacitor                                 | 10 $\mu$ F, 6.3 V, MLCC, X5R                | 2   |
| Buck 2  | BUCK2 inductor   | 1.0 $\mu$ H, +/-20 %, 120 mOhm typ, 1700 mA | 1   |
|         | BUCK2 input capacitor                                  | 4.7 $\mu$ F, 6.3 V, MLCC, X5R               | 1   |
|         | BUCK2 output capacitor                                 | 10 $\mu$ F, 6.3V, MLCC, X5R                 | 2   |
| Buck 3  | BUCK3 inductor   | 1.0 $\mu$ H, +/-20 %, 120 mOhm typ, 1700 mA | 1   |
|         | BUCK3 input capacitor                                  | 4.7 $\mu$ F, 6.3 V, MLCC, X5R               | 1   |
|         | BUCK3 output capacitor                                 | 10 $\mu$ F, 6.3 V, MLCC, X5R                | 2   |
| LDO1    | LDO1 input capacitor                                   | CAP CER 1.0 $\mu$ F 6.3 V 20 % X5R 0201     | 1   |
|         | LDO1 output capacitor                                  | 4.7 $\mu$ F, 6.3 V, MLCC, X5R               | 1   |
| LDO2    | LDO2 input capacitor                                   | CAP CER 1.0 $\mu$ F 6.3 V 20 % X5R 0201     | 1   |
|         | LDO2 output capacitor                                  | 10 $\mu$ F, 6.3 V, MLCC, X5R                | 1   |
| LDO3    | LDO3 input capacitor                                   | CAP CER 1.0 $\mu$ F 6.3 V 20 % X5R 0201     | 1   |
|         | LDO3 output capacitor                                  | 4.7 $\mu$ F, 6.3 V, MLCC, X5R               | 1   |
| VREFDDR | VREFDDR input capacitor                                | CAP CER 1.0 $\mu$ F 6.3 V 20 % X5R 0201     | 1   |
|         | VREFDDR output capacitor                               | CAP CER 1.0 $\mu$ F 6.3 V 20 % X5R 0201     | 1   |
| VSNS    | VSNS output capacitor                                  | CAP CER 0.47 $\mu$ F 6.3 V 20 % X5R 0201    | 1   |
| LICELL  | LICELL bypass capacitor                                | CAP CER 0.1 $\mu$ F 6.3 V 20 % X5R 0201     | 1   |

[1] ONLY for < 20mA EOC current threshold settings and to allow a smooth transition from CV to EOC state

### 13.3 PF1550 layout guidelines

#### 13.3.1 General board recommendations

- It is recommended to use an eight layer board stack-up arranged as follows:
  - High current signal
  - GND
  - Signal
  - Power
  - Power
  - Signal
  - GND
- Allocate TOP and BOTTOM PCB layers for POWER ROUTING (high current signals), copper-pour the unused area.
- Use internal layers sandwiched between two GND planes for the SIGNAL routing.

#### 13.3.2 Component placement

It is desirable to keep all component related to the power stage as close to the PMIC as possible, specially decoupling input and output capacitors.

#### 13.3.3 General routing requirements

- Some recommended things to keep in mind for manufacturability:
  - Via in pads require a 4.5 mil minimum annular ring. Pad must be 9.0 mils larger than the hole
  - Maximum copper thickness for lines less than 5.0 mils wide is 0.6 oz copper
  - Minimum allowed spacing between line and hole pad is 3.5 mils
  - Minimum allowed spacing between line and line is 3.0 mils
- Care must be taken with SWxFB pins traces. These signals are susceptible to noise and must be routed far away from power, clock, or high-power signals, like the ones on the SWxIN, SWxLX. They could be also shielded.
- Shield feedback traces of the regulators and keep them as short as possible (trace them on the bottom so the ground and power planes shield these traces).
- Avoid coupling traces between important signal/low noise supplies (like V<sub>CORE</sub>, V<sub>DIG</sub>) from any switching node (for example, SW1LX, SW2LX, SW3LX).
- Make sure that all components related to a specific block are referenced to the corresponding ground.

#### 13.3.4 Parallel routing requirements

- I<sup>2</sup>C signal routing
  - CLK is the fastest signal of the system, so it must be given special care.
  - To avoid contamination of these delicate signals by nearby high power or high frequency signals, it is a good practice to shield them with ground planes placed on



Power management integrated circuit (PMIC) for low power application processors

adjacent layers. Make sure that the ground plane is uniform throughout the whole signal trace length.

- These signals can be placed on an outer layer of the board to reduce their capacitance with respect to the ground plane.
- Care must be taken with these signals not to contaminate analog signals, as they are high frequency signals. Another good practice is to trace them perpendicularly on different layers, so there is a minimum area of proximity between signals.

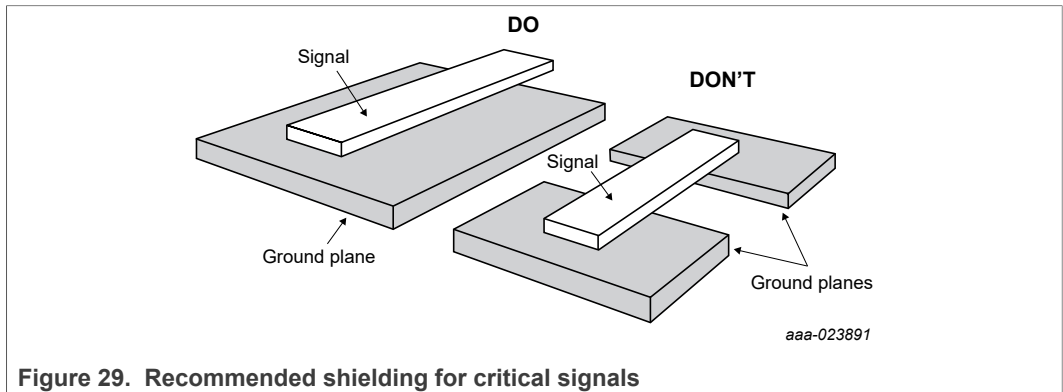


Figure 29. Recommended shielding for critical signals

13.3.5 Switching regulator layout recommendations

- Per design, the switching regulators in PF1550 are designed to operate with only one input bulk capacitor. However, it is recommended to add a high frequency filter input capacitor ( $C_{IN\_HF}$ ), to filter out any noise at the regulator input. This capacitor should be in the range of 100 nF and should be placed right next to or under the IC, closest to the IC pins.
- Make high-current ripple traces low-inductance (short, high W/L ratio).
- Make high-current traces wide or copper islands.

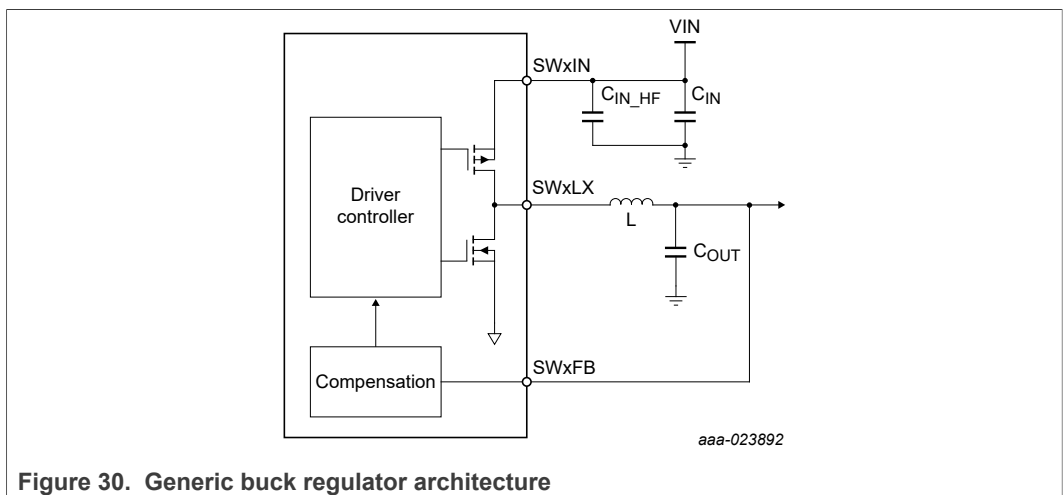


Figure 30. Generic buck regulator architecture

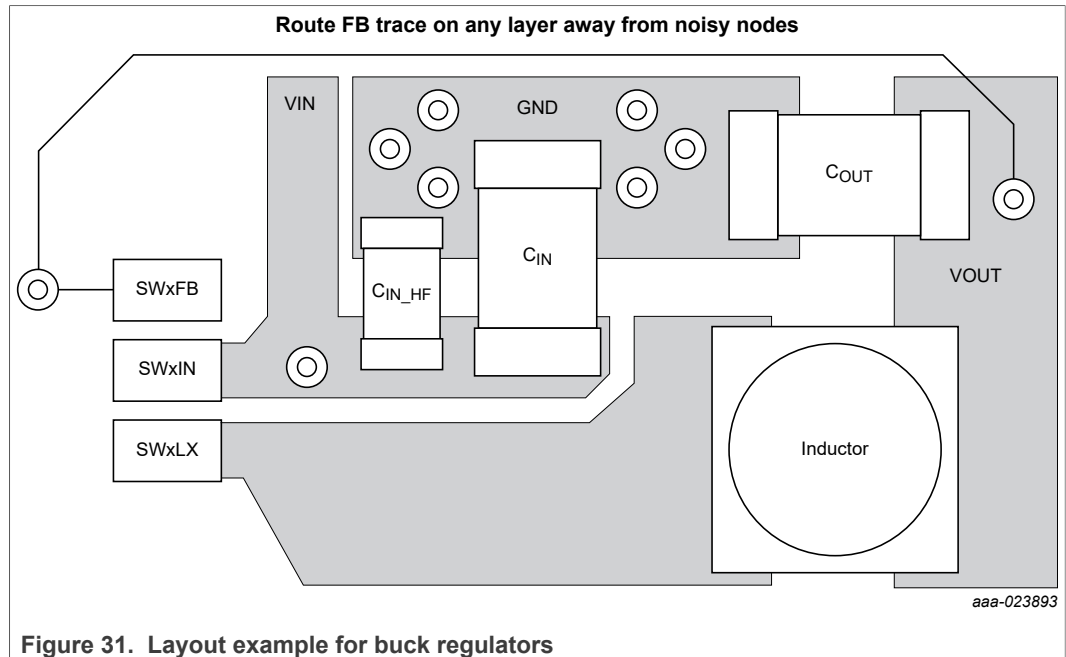


Figure 31. Layout example for buck regulators

## 13.4 Thermal information

### 13.4.1 Rating data

The thermal rating data of the packages has been simulated with the results listed in [Table 3](#).

Junction to Ambient Thermal Resistance Nomenclature: the JEDEC specification reserves the symbol  $R_{\theta JA}$  or  $\theta JA$  (Theta-JA) strictly for junction-to-ambient thermal resistance on a 1s test board in natural convection environment.  $R_{\theta JMA}$  or  $\theta JMA$  (Theta-JMA) is used for both junction-to-ambient on a 2s2p test board in natural convection and for junction-to-ambient with forced convection on both 1s and 2s2p test boards. It is anticipated that the generic name, Theta-JA, continues to be commonly used.

The JEDEC standards can be consulted at <http://www.jedec.org/>.

### 13.4.2 Estimation of junction temperature

An estimation of the chip junction temperature  $T_J$  can be obtained from the equation:  $T_J = T_A + (R_{\theta JA} \times P_D)$  with:

$T_A$  = Ambient temperature for the package in °C

$R_{\theta JA}$  = Junction to ambient thermal resistance in °C/W

$P_D$  = Power dissipation in the package in W

The junction to ambient thermal resistance is an industry standard value that provides a quick and easy estimation of thermal performance. Unfortunately, there are two values in common usage: the value determined on a single layer board  $R_{\theta JA}$  and the value obtained on a four layer board  $R_{\theta JMA}$ . Actual application PCBs show a performance close to the simulated four layer board value although this may be somewhat degraded in case of significant power dissipated by other components placed close to the device.

Power management integrated circuit (PMIC) for low power application processors

At a known board temperature, the junction temperature  $T_J$  is estimated using the following equation  $T_J = T_B + (R_{\theta JB} \times P_D)$  with

$T_B$  = Board temperature at the package perimeter in °C

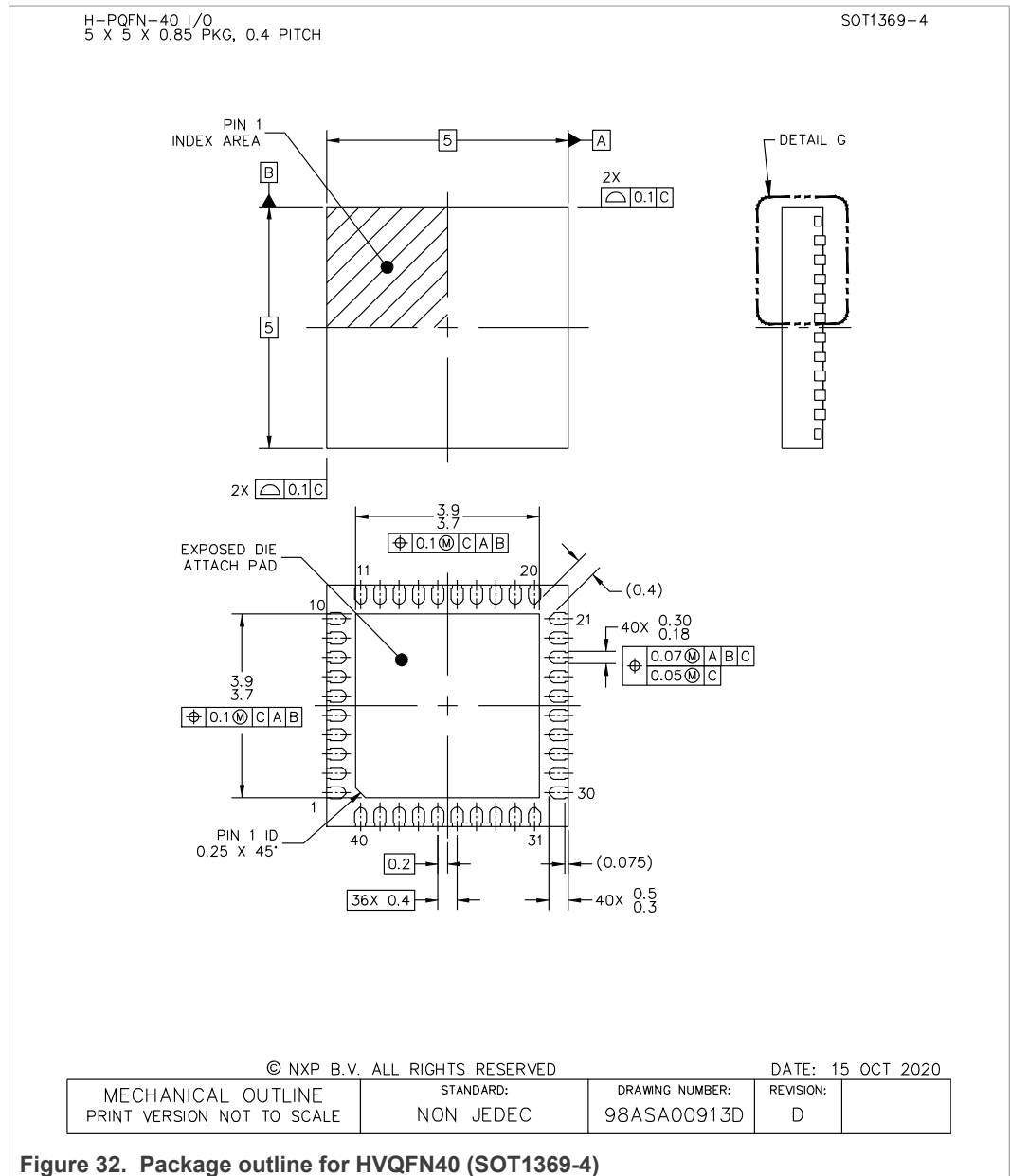
$R_{\theta JB}$  = Junction to board thermal resistance in °C/W

$P_D$  = Power dissipation in the package in W

14 Package outline

The PF1550 uses a 40-pin QFN 5.0 mm x 5.0 mm with exposed pad, case number 98ASA00913D.

This drawing is available for download at <http://www.nxp.com>.



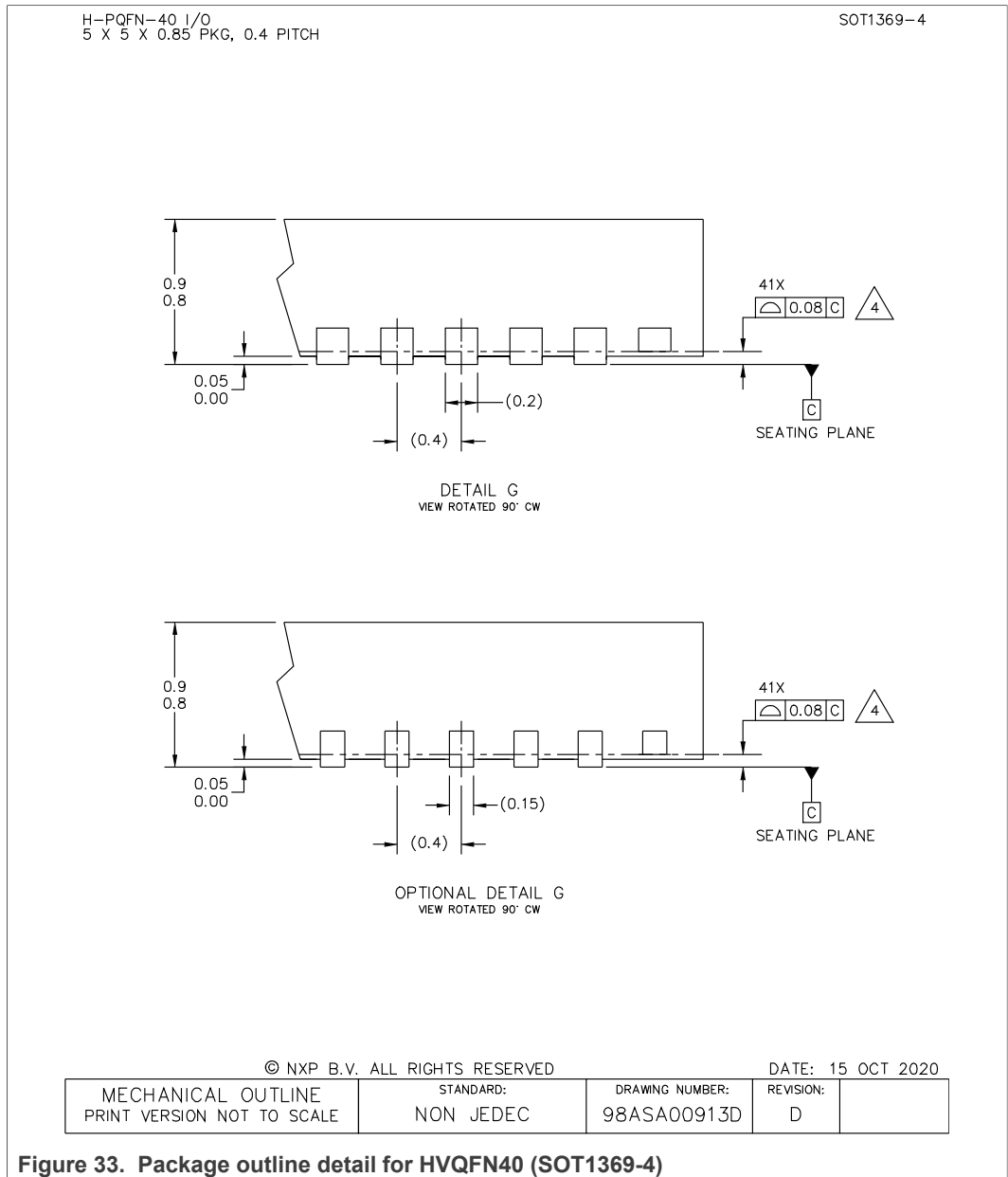
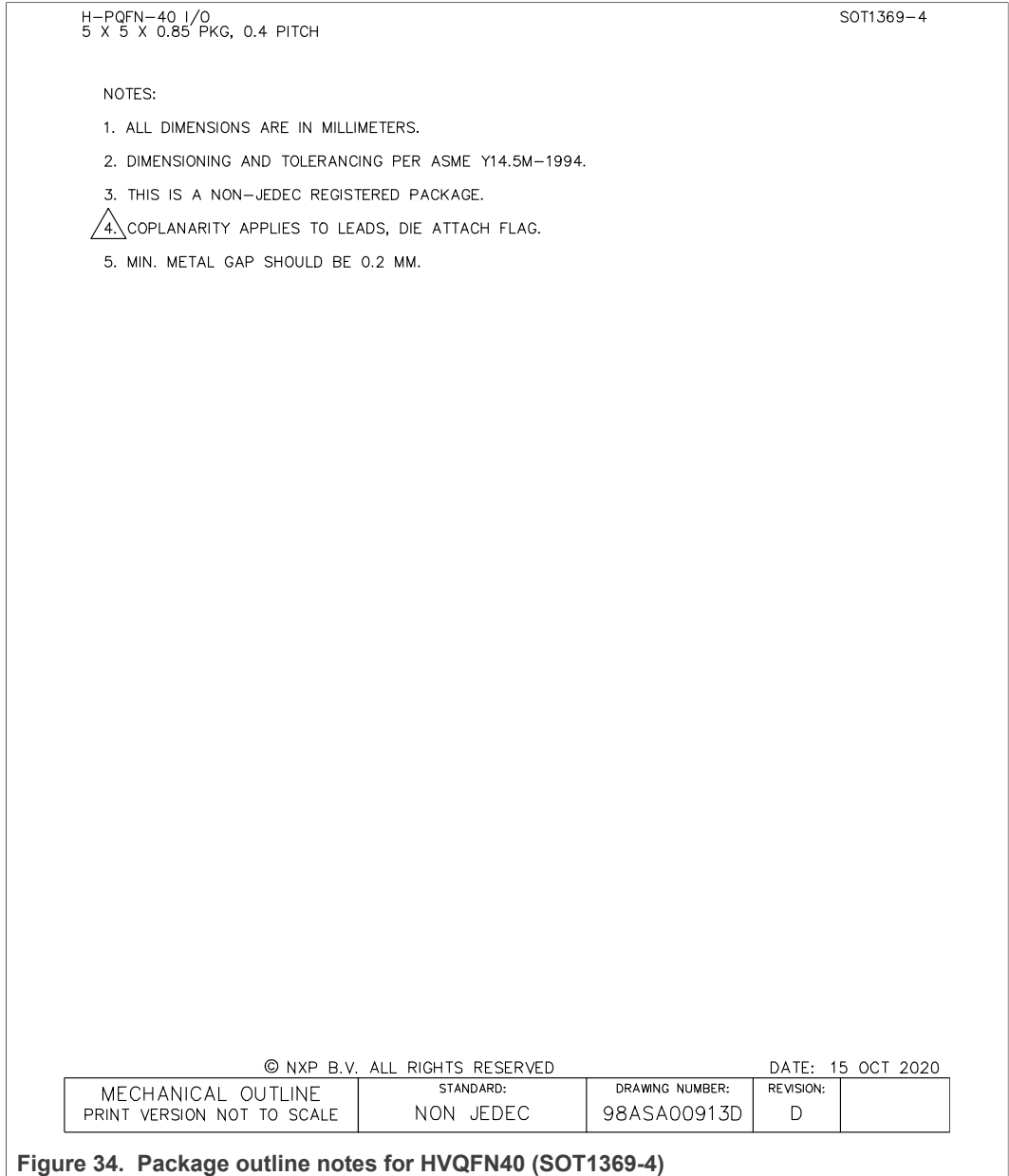


Figure 33. Package outline detail for HVQFN40 (SOT1369-4)

Power management integrated circuit (PMIC) for low power application processors



## 15 Revision history

Table 178. Revision history

| Document ID   | Release date   | Data sheet status   | Change notice    | Supersedes   |
|---------------|--|---------------------|------------------|--------------|
| PF1550 v.7.0  | 20210929   | Product data sheet  | CIN 202109033I   | PF1550 v.6.0 |
| Modifications | <ul style="list-style-type: none"> <li>Global: replaced "BAT_SNS" by "BATT_SNS"</li> <li><a href="#">Figure 16</a>: replaced "BAT_SNS=0x09" by "BATT_SNS=0X05"</li> <li><a href="#">Section 8.9.4</a>: replaced "BAT_SNS=0x09" by "BATT_SNS=0X05"</li> <li><a href="#">Table 152</a>: updated the description for BAT_OK ("BAT_SNS = 0x06 or 0x07 or 0x09" replaced by "BATT_SNS = 0x02 or 0x05 or 0x06" and "BAT_SNS ≠ 0x06 or 0x07 or 0x09" replaced by "BATT_SNS ≠ 0x02 or 0x05 or 0x06")</li> <li><a href="#">Table 152</a>: updated the description for BAT2SOC_OK (replaced "BATT_SNS Bit 5 = 0b1" by "BATTOC_SNS bit = 1")</li> </ul>   |                     |                  |              |
| PF1550 v.6.0  | 20210305   | Product data sheet  | PCN 202012012F01 | PF1550 v.5.0 |
| Modifications | <ul style="list-style-type: none"> <li><a href="#">Section 14</a>: added "Optional Detail G with 0.15 mm lead edge package option" to package outline drawings</li> </ul>  |                     |                  |              |
| PF1550 v.5.0  | 20190610   | Product data sheet  | —                | PF1550 v.4.0 |
| Modifications | <p>Updated as per CIN 201904033I</p> <ul style="list-style-type: none"> <li><a href="#">Table 1</a>: added MC32PF1550A9EP and MC34PF1550A9EP parts</li> <li><a href="#">Table 77</a>: replaced "0.2 * VSNVS" by "0.4" and "0.8 * VSNVS" by "1.4"</li> <li><a href="#">Section 9.3</a>: added <a href="#">Table 78</a></li> <li><a href="#">Section 9.4</a>: added <a href="#">Table 79</a></li> <li><a href="#">Table 81</a>: replaced "0.2 * VBATT" by "0.4", "0.8 * VBATT" by "1.4" and 3.6 by 4.8</li> <li><a href="#">Section 11.1</a>: updated <a href="#">Figure 27</a></li> <li><a href="#">Table 85</a>: added OTP configuration for A9</li> <li><a href="#">Section 8.8.4</a>: updated <a href="#">Figure 23</a></li> <li><a href="#">Table 165</a>: updated description for USBPHYLDO (replaced 0 by 1)</li> <li><a href="#">Figure 12</a>, <a href="#">Figure 28</a>: replaced "INT_2P7" by "INT2P7" and 1.0 μF by 2.2 μF</li> <li><a href="#">Section 12.5</a>: added A9 OTP</li> <li>Global: changed document status from Advance information to Product</li> </ul> |                     |                  |              |
| PF1550 v.4.0  | 20180928   | Advance information | —                | PF1550 v.3.0 |
| Modifications | <ul style="list-style-type: none"> <li>Added MC32PF1550A0EP, MC32PF1550A8EP, MC34PF1550A0EP, and MC34PF1550A8EP parts to <a href="#">Table 1</a></li> <li>Added OTP configuration for A8 to <a href="#">Table 85</a></li> </ul>  |                     |                  |              |
| PF1550 v.3.0  | 20180502   | Advance information | —                | PF1550 v.2.0 |
| Modifications | <ul style="list-style-type: none"> <li>Changed PC parts to MC in <a href="#">Table 1</a></li> <li>Updated programming option for MC32PF1550A7EP and MC34PF1550A7EP (replaced LPDDR3 by LPDDR2) in <a href="#">Table 1</a></li> <li>Updated SDA and SCL pin description in <a href="#">Table 2</a></li> <li>Updated A7 OTP configuration for OTP_SW3_VOLT[5:0] and OTP_LDO1_VOLT[4:0] registers (replaced 3.3 V by 1.8 V and 1.8 V by 3.3 V) in <a href="#">Table 85</a> and modified <a href="#">Table 176</a> to reflect A7 OTP option updates</li> <li>Updated min. and max. input current values in <a href="#">Table 6</a></li> </ul>  |                     |                  |              |
| PF1550 v.2.0  | 20180202   | Advance information | —                | PF1550 v.1.0 |

Table 178. Revision history...continued

| Document ID   | Release date  | Data sheet status | Change notice | Supersedes |
|---------------|---|-------------------|---------------|------------|
| Modifications | <ul style="list-style-type: none"> <li>• Updated <a href="#">Figure 10</a></li> <li>• Updated <a href="#">Figure 28</a></li> <li>• Updated description in <a href="#">Section 7.3.6 "LDO2 current limit protection"</a></li> <li>• Changed capacitor value from 4.7 μF to 10 μF in <a href="#">Section 7.3.3 "LDO2 external components"</a></li> <li>• Updated <a href="#">Figure 15</a>, <a href="#">Figure 17</a>, <a href="#">Figure 28</a></li> <li>• Changed the value of LDO2 output capacitor from 4.7 μF to 10 μF in <a href="#">Table 177</a></li> <li>• Updated <a href="#">Figure 3</a> (changed VUSB to VBUSIN)</li> <li>• Updated <a href="#">Figure 4</a> (changed VDO3IN to VLDO3IN)</li> <li>• Corrected typos in <a href="#">Table 5</a>, <a href="#">Table 6</a>, <a href="#">Table 7</a>, <a href="#">Table 8</a>, <a href="#">Table 9</a>, <a href="#">Table 10</a>, <a href="#">Table 11</a>, <a href="#">Table 13</a>, <a href="#">Table 14</a>, <a href="#">Table 17</a>, and <a href="#">Table 18</a></li> <li>• Updated quiescent current I<sub>LDO1Q</sub> from 4.0 to 4.5 in <a href="#">Table 21</a> and added new parameter</li> <li>• Updated and added new parameters to <a href="#">Table 19</a> and <a href="#">Table 20</a></li> <li>• Updated values for I<sub>LDO2LIM</sub> in <a href="#">Table 22</a></li> <li>• Updated quiescent current I<sub>LDO3Q</sub> from 4.0 to 4.5 in <a href="#">Table 23</a></li> <li>• Updated typical and maximum value for REGS_DISABLE and SHIP MODE in <a href="#">Table 26</a></li> <li>• Updated <a href="#">Section 6.3.3 "Output voltage setting in SW3"</a></li> <li>• Updated <a href="#">Figure 12</a>, <a href="#">Figure 13</a>, and <a href="#">Figure 14</a></li> <li>• Changed OTP_SW2_DVS_SEL to DVS mode for A4 configuration in <a href="#">Table 85</a></li> <li>• Changed OTP configuration for SW1 to 1.3875 V in <a href="#">Table 85</a></li> <li>• Updated <a href="#">Table 176</a> and <a href="#">Table 177</a></li> <li>• Updated I<sub>Q_CHARGER_LQM</sub> max. value from 2.5 to 3.0 in <a href="#">Table 6</a></li> <li>• Updated values for V<sub>SWx</sub> in <a href="#">Table 19</a></li> <li>• Updated I<sub>LDO1Q</sub> and I<sub>LDO3Q</sub> values from 22 to 25 in <a href="#">Table 21</a> and <a href="#">Table 23</a></li> <li>• Added part numbers to <a href="#">Table 1</a></li> <li>• Updated typical value for t<sub>FC</sub> in <a href="#">Table 13</a></li> <li>• Updated I<sub>SWxLIMH</sub> values in <a href="#">Table 19</a> and <a href="#">Table 20</a></li> <li>• Updated <a href="#">Figure 16</a> and <a href="#">Figure 17</a></li> <li>• Added <a href="#">Section 9.7</a></li> <li>• Added OTP configuration for A5 to <a href="#">Table 85</a></li> <li>• Updated <a href="#">Table 1</a></li> <li>• Added A6 and A7 OTP configurations to <a href="#">Table 85</a></li> <li>• Updated <a href="#">Figure 3</a>, <a href="#">Figure 16</a>, and <a href="#">Figure 28</a></li> <li>• Added <a href="#">Figure 27</a></li> <li>• Updated values for I<sub>SWxLIMH</sub> and I<sub>SW3LIMH</sub> in <a href="#">Table 19</a> and <a href="#">Table 20</a></li> <li>• Added ripple parameter to <a href="#">Table 20</a></li> <li>• Updated values for frequency in <a href="#">Table 72</a></li> <li>• Updated <a href="#">Table 116</a>, <a href="#">Table 121</a>, <a href="#">Table 126</a>, <a href="#">Table 167</a>, and <a href="#">Table 174</a></li> <li>• Updated <a href="#">Section 12.5</a></li> <li>• Replaced MINVSYs by VSYsMIN</li> <li>• Changed document status from Product preview to Advance information</li> </ul> |                   |               |            |
| PF1550 v.1.0  | 20161012  | Product preview   | —             | —          |

## 16 Legal information

### 16.1 Data sheet status

| Document status <sup>[1][2]</sup> | Product status <sup>[3]</sup> | Definition  |
|-----------------------------------|-------------------------------|---|
| Objective [short] data sheet      | Development                   | This document contains data from the objective specification for product development. |
| Preliminary [short] data sheet    | Qualification                 | This document contains data from the preliminary specification.                       |
| Product [short] data sheet        | Production                    | This document contains the product specification.                                     |

[1] Please consult the most recently issued document before initiating or completing a design.

[2] The term 'short data sheet' is explained in section "Definitions".

[3] The product status of device(s) described in this document may have changed since this document was published and may differ in case of multiple devices. The latest product status information is available on the Internet at URL <http://www.nxp.com>.

### 16.2 Definitions

**Draft** — A draft status on a document indicates that the content is still under internal review and subject to formal approval, which may result in modifications or additions. NXP Semiconductors does not give any representations or warranties as to the accuracy or completeness of information included in a draft version of a document and shall have no liability for the consequences of use of such information.

**Short data sheet** — A short data sheet is an extract from a full data sheet with the same product type number(s) and title. A short data sheet is intended for quick reference only and should not be relied upon to contain detailed and full information. For detailed and full information see the relevant full data sheet, which is available on request via the local NXP Semiconductors sales office. In case of any inconsistency or conflict with the short data sheet, the full data sheet shall prevail.

**Product specification** — The information and data provided in a Product data sheet shall define the specification of the product as agreed between NXP Semiconductors and its customer, unless NXP Semiconductors and customer have explicitly agreed otherwise in writing. In no event however, shall an agreement be valid in which the NXP Semiconductors product is deemed to offer functions and qualities beyond those described in the Product data sheet.

### 16.3 Disclaimers

**Limited warranty and liability** — Information in this document is believed to be accurate and reliable. However, NXP Semiconductors does not give any representations or warranties, expressed or implied, as to the accuracy or completeness of such information and shall have no liability for the consequences of use of such information. NXP Semiconductors takes no responsibility for the content in this document if provided by an information source outside of NXP Semiconductors. In no event shall NXP Semiconductors be liable for any indirect, incidental, punitive, special or consequential damages (including - without limitation - lost profits, lost savings, business interruption, costs related to the removal or replacement of any products or rework charges) whether or not such damages are based on tort (including negligence), warranty, breach of contract or any other legal theory. Notwithstanding any damages that customer might incur for any reason whatsoever, NXP Semiconductors' aggregate and cumulative liability towards customer for the products described herein shall be limited in accordance with the Terms and conditions of commercial sale of NXP Semiconductors.

**Right to make changes** — NXP Semiconductors reserves the right to make changes to information published in this document, including without limitation specifications and product descriptions, at any time and without

notice. This document supersedes and replaces all information supplied prior to the publication hereof.

**Suitability for use** — NXP Semiconductors products are not designed, authorized or warranted to be suitable for use in life support, life-critical or safety-critical systems or equipment, nor in applications where failure or malfunction of an NXP Semiconductors product can reasonably be expected to result in personal injury, death or severe property or environmental damage. NXP Semiconductors and its suppliers accept no liability for inclusion and/or use of NXP Semiconductors products in such equipment or applications and therefore such inclusion and/or use is at the customer's own risk.

**Applications** — Applications that are described herein for any of these products are for illustrative purposes only. NXP Semiconductors makes no representation or warranty that such applications will be suitable for the specified use without further testing or modification. Customers are responsible for the design and operation of their applications and products using NXP Semiconductors products, and NXP Semiconductors accepts no liability for any assistance with applications or customer product design. It is customer's sole responsibility to determine whether the NXP Semiconductors product is suitable and fit for the customer's applications and products planned, as well as for the planned application and use of customer's third party customer(s). Customers should provide appropriate design and operating safeguards to minimize the risks associated with their applications and products. NXP Semiconductors does not accept any liability related to any default, damage, costs or problem which is based on any weakness or default in the customer's applications or products, or the application or use by customer's third party customer(s). Customer is responsible for doing all necessary testing for the customer's applications and products using NXP Semiconductors products in order to avoid a default of the applications and the products or of the application or use by customer's third party customer(s). NXP does not accept any liability in this respect.

**Limiting values** — Stress above one or more limiting values (as defined in the Absolute Maximum Ratings System of IEC 60134) will cause permanent damage to the device. Limiting values are stress ratings only and (proper) operation of the device at these or any other conditions above those given in the Recommended operating conditions section (if present) or the Characteristics sections of this document is not warranted. Constant or repeated exposure to limiting values will permanently and irreversibly affect the quality and reliability of the device.

**Terms and conditions of commercial sale** — NXP Semiconductors products are sold subject to the general terms and conditions of commercial sale, as published at <http://www.nxp.com/profile/terms>, unless otherwise agreed in a valid written individual agreement. In case an individual agreement is concluded only the terms and conditions of the respective agreement shall apply. NXP Semiconductors hereby expressly objects to applying the customer's general terms and conditions with regard to the purchase of NXP Semiconductors products by customer.



---

**Power management integrated circuit (PMIC) for low power application processors**

**No offer to sell or license** — Nothing in this document may be interpreted or construed as an offer to sell products that is open for acceptance or the grant, conveyance or implication of any license under any copyrights, patents or other industrial or intellectual property rights.

**Export control** — This document as well as the item(s) described herein may be subject to export control regulations. Export might require a prior authorization from competent authorities.

**Non-automotive qualified products** — Unless this data sheet expressly states that this specific NXP Semiconductors product is automotive qualified, the product is not suitable for automotive use. It is neither qualified nor tested in accordance with automotive testing or application requirements. NXP Semiconductors accepts no liability for inclusion and/or use of non-automotive qualified products in automotive equipment or applications. In the event that customer uses the product for design-in and use in automotive applications to automotive specifications and standards, customer (a) shall use the product without NXP Semiconductors' warranty of the product for such automotive applications, use and specifications, and (b) whenever customer uses the product for automotive applications beyond NXP Semiconductors' specifications such use shall be solely at customer's own risk, and (c) customer fully indemnifies NXP Semiconductors for any liability, damages or failed product claims resulting from customer design and use of the product for automotive applications beyond NXP Semiconductors' standard warranty and NXP Semiconductors' product specifications.

**Translations** — A non-English (translated) version of a document is for reference only. The English version shall prevail in case of any discrepancy between the translated and English versions.

**Security** — Customer understands that all NXP products may be subject to unidentified or documented vulnerabilities. Customer is responsible for the design and operation of its applications and products throughout their lifecycles to reduce the effect of these vulnerabilities on customer's applications and products. Customer's responsibility also extends to other open and/or proprietary technologies supported by NXP products for use in customer's applications. NXP accepts no liability for any vulnerability. Customer should regularly check security updates from NXP and follow up appropriately. Customer shall select products with security features that best meet rules, regulations, and standards of the intended application and make the ultimate design decisions regarding its products and is solely responsible for compliance with all legal, regulatory, and security related requirements concerning its products, regardless of any information or support that may be provided by NXP. NXP has a Product Security Incident Response Team (PSIRT) (reachable at [PSIRT@nxp.com](mailto:PSIRT@nxp.com)) that manages the investigation, reporting, and solution release to security vulnerabilities of NXP products.

## 16.4 Trademarks

Notice: All referenced brands, product names, service names and trademarks are the property of their respective owners.

**NXP** — wordmark and logo are trademarks of NXP B.V.

Tables

|          |  |    |           |  |    |
|----------|--|----|-----------|--|----|
| Tab. 1.  | Orderable part variations                    | 6  | Tab. 55.  | Charger timers register                    | 54 |
| Tab. 2.  | Pin description                              | 8  | Tab. 56.  | EOC state timer settings                   | 54 |
| Tab. 3.  | Thermal ratings                              | 9  | Tab. 57.  | VBUS input current limit register          | 56 |
| Tab. 4.  | Maximum ratings                              | 10 | Tab. 58.  | Input current limit settings               | 56 |
| Tab. 5.  | Global conditions                            | 12 | Tab. 59.  | Thermal regulation                         | 57 |
| Tab. 6.  | Input currents                               | 12 | Tab. 60.  | Temperature regulation control register    | 59 |
| Tab. 7.  | Internal 2.7 V Regulator (INT2P7)            | 13 | Tab. 61.  | Thermal regulation settings                | 59 |
| Tab. 8.  | Switch impedances and leakage currents       | 13 | Tab. 62.  | VBUS linear dynamic input voltage register | 61 |
| Tab. 9.  | Linear transients                            | 14 | Tab. 63.  | Input voltage regulation thresholds        | 61 |
| Tab. 10. | Charger characteristics                      | 14 | Tab. 64.  | JEITA thermal control                      | 62 |
| Tab. 11. | Power-path management                        | 15 | Tab. 65.  | Temperature regulation control register    | 62 |
| Tab. 12. | Watchdog timer                               | 15 | Tab. 66.  | JEITA temperature control register         | 63 |
| Tab. 13. | Charger timer                                | 15 | Tab. 67.  | CV voltage adjustment settings             | 64 |
| Tab. 14. | Battery overcurrent protection               | 15 | Tab. 68.  | CC current adjustment settings             | 64 |
| Tab. 15. | Thermal regulation                           | 16 | Tab. 69.  | Battery overcurrent thresholds             | 66 |
| Tab. 16. | Battery thermistor monitor                   | 16 | Tab. 70.  | LED modes                                  | 67 |
| Tab. 17. | USBPHY LDO                                   | 16 | Tab. 71.  | LED enable conditions                      | 67 |
| Tab. 18. | LED characteristics                          | 17 | Tab. 72.  | LED frequency setting                      | 68 |
| Tab. 19. | SW1 and SW2 electrical characteristics       | 17 | Tab. 73.  | PWRON pin OTP configuration options        | 68 |
| Tab. 20. | SW3 electrical characteristics               | 19 | Tab. 74.  | PWRON pin logic level                      | 68 |
| Tab. 21. | LDO1 electrical characteristics              | 20 | Tab. 75.  | PWRONDBNC settings                         | 69 |
| Tab. 22. | LDO2 electrical characteristics              | 20 | Tab. 76.  | Standby pin polarity control               | 69 |
| Tab. 23. | LDO3 electrical characteristics              | 21 | Tab. 77.  | STANDBY pin logic level                    | 69 |
| Tab. 24. | VREFDDR electrical characteristics           | 22 | Tab. 78.  | RESETBMCU pin logic level                  | 70 |
| Tab. 25. | VSNSV electrical characteristics             | 22 | Tab. 79.  | INTB pin logic level                       | 70 |
| Tab. 26. | IC level electrical characteristics          | 23 | Tab. 80.  | WDI pin logic level                        | 70 |
| Tab. 27. | Voltage regulators                           | 24 | Tab. 81.  | ONKEY pin logic level                      | 71 |
| Tab. 28. | SWx DVS setting selection                    | 26 | Tab. 82.  | ONKEYDBNC settings                         | 71 |
| Tab. 29. | Buck regulator operating modes               | 27 | Tab. 83.  | State transition table                     | 76 |
| Tab. 30. | Buck mode control                            | 28 | Tab. 84.  | A4 startup and power down sequence timing  | 79 |
| Tab. 31. | SW1 and SW2 output voltage setting           | 29 | Tab. 85.  | PF1550 start up configuration              | 79 |
| Tab. 32. | Acceptable inductance and capacitance values | 31 | Tab. 86.  | Register DEVICE_ID - ADDR 0x00             | 81 |
| Tab. 33. | Example inductor part numbers                | 31 | Tab. 87.  | Register OTP_FLAVOR - ADDR 0x01            | 81 |
| Tab. 34. | Example capacitor part numbers               | 31 | Tab. 88.  | Register SILICON_REV - ADDR 0x02           | 81 |
| Tab. 35. | SW3 buck regulator operating modes           | 32 | Tab. 89.  | Register INT_CATEGORY - ADDR 0x06          | 81 |
| Tab. 36. | SW3 buck mode control                        | 32 | Tab. 90.  | Register SW_INT_STAT0 - ADDR 0x08          | 82 |
| Tab. 37. | SW3 output voltage setting                   | 33 | Tab. 91.  | Register SW_INT_MASK0 - ADDR 0x09          | 82 |
| Tab. 38. | Acceptable inductance and capacitance values | 34 | Tab. 92.  | Register SW_INT_SENSE0 - ADDR 0x0A         | 83 |
| Tab. 39. | Example inductor part numbers                | 34 | Tab. 93.  | Register SW_INT_STAT1 - ADDR 0x0B          | 83 |
| Tab. 40. | Example capacitor part numbers               | 34 | Tab. 94.  | Register SW_INT_MASK1 - ADDR 0x0C          | 84 |
| Tab. 41. | LDOy output voltage setting                  | 36 | Tab. 95.  | Register SW_INT_SENSE1 - ADDR 0x0D         | 84 |
| Tab. 42. | LDOy control bits                            | 37 | Tab. 96.  | Register SW_INT_STAT2 - ADDR 0x0E          | 84 |
| Tab. 43. | LDO2 output voltage setting                  | 39 | Tab. 97.  | Register SW_INT_MASK2 - ADDR 0x0F          | 85 |
| Tab. 44. | LDO2 control bits                            | 40 | Tab. 98.  | Register SW_INT_SENSE2 - ADDR 0x10         | 85 |
| Tab. 45. | Battery regulation voltage register          | 44 | Tab. 99.  | Register LDO_INT_STAT0 - ADDR 0x18         | 85 |
| Tab. 46. | VSYSTEMIN setting                            | 45 | Tab. 100. | Register LDO_INT_MASK0 - ADDR 0x19         | 86 |
| Tab. 47. | Charger current control register             | 48 | Tab. 101. | Register LDO_INT_SENSE0 - ADDR 0x1A        | 86 |
| Tab. 48. | Constant current charge settings             | 48 | Tab. 102. | Register TEMP_INT_STAT0 - ADDR 0x20        | 86 |
| Tab. 49. | Battery regulation voltage register          | 50 | Tab. 103. | Register TEMP_INT_MASK0 - ADDR 0x21        | 87 |
| Tab. 50. | CV settings                                  | 50 | Tab. 104. | Register TEMP_INT_SENSE0 - ADDR 0x22       | 87 |
| Tab. 51. | Charger timers register                      | 52 | Tab. 105. | Register ONKEY_INT_STAT0 - ADDR 0x24       | 87 |
| Tab. 52. | Fast charge timer settings                   | 52 | Tab. 106. | Register ONKEY_INT_MASK0 - ADDR 0x25       | 88 |
| Tab. 53. | Charger EOC configuration register           | 53 |           |  |    |
| Tab. 54. | EOC current thresholds                       | 53 |           |  |    |

## Power management integrated circuit (PMIC) for low power application processors

|  |     |   |     |
|--|-----|---|-----|
| Tab. 107. Register ONKEY_INT_SENSE0 - ADDR<br>0x26 ..... | 89  | Tab. 144. Register LDO3_PWRDN_SEQ - ADDR<br>0x64 .....    | 103 |
| Tab. 108. Register MISC_INT_STAT0 - ADDR 0x28 .....      | 89  | Tab. 145. Register VREFDDR_PWRDN_SEQ -<br>ADDR 0x65 ..... | 104 |
| Tab. 109. Register MISC_INT_MASK0- ADDR 0x29 .....       | 90  | Tab. 146. Register STATE_INFO - ADDR 0x67 .....           | 104 |
| Tab. 110. Register MISC_INT_SENSE0 - ADDR<br>0x2A .....  | 90  | Tab. 147. Register I2C_ADDR - ADDR 0x68 .....             | 104 |
| Tab. 111. Register COINCELL_CONTROL - ADDR<br>0x30 ..... | 91  | Tab. 148. Register RC_16MHZ - ADDR 0x6B .....             | 105 |
| Tab. 112. Register SW1_VOLT - ADDR 0x32 .....            | 91  | Tab. 149. Register KEY1 - ADDR 0x6B .....                 | 105 |
| Tab. 113. Register SW1_STBY_VOLT - ADDR 0x33 .....       | 91  | Tab. 150. Register CHG_INT - ADDR 0x00 .....              | 105 |
| Tab. 114. Register SW1_SLP_VOLT - ADDR 0x34 .....        | 92  | Tab. 151. Register CHG_INT_MASK - ADDR 0x02 .....         | 106 |
| Tab. 115. Register SW1_CTRL - ADDR 0x35 .....            | 92  | Tab. 152. Register CHG_INT_OK - ADDR 0x04 .....           | 107 |
| Tab. 116. Register SW1_SLP_VOLT - ADDR 0x36 .....        | 93  | Tab. 153. Register VBUS_SNS - ADDR 0x06 .....             | 107 |
| Tab. 117. Register SW2_VOLT - ADDR 0x38 .....            | 93  | Tab. 154. Register CHG_SNS - ADDR 0x07 .....              | 108 |
| Tab. 118. Register SW2_STBY_VOLT - ADDR 0x39 .....       | 93  | Tab. 155. Register BATT_SNS - ADDR 0x08 .....             | 109 |
| Tab. 119. Register SW2_SLP_VOLT - ADDR 0x3A .....        | 93  | Tab. 156. Register CHG_OPER- ADDR 0x09 .....              | 109 |
| Tab. 120. Register SW2_CTRL - ADDR 0x3B .....            | 94  | Tab. 157. Register CHG_TMR - ADDR 0x0A .....              | 110 |
| Tab. 121. Register SW2_CTRL1 - ADDR 0x3C .....           | 94  | Tab. 158. Register CHG_EOC_CNFG - ADDR 0x0D .....         | 111 |
| Tab. 122. Register SW3_VOLT - ADDR 0x3E .....            | 95  | Tab. 159. Register CHG_CURR_CNFG - ADDR<br>0x0E .....     | 112 |
| Tab. 123. Register SW3_STBY_VOLT - ADDR 0x3F .....       | 95  | Tab. 160. Register BATT_REG - ADDR 0x0F .....             | 113 |
| Tab. 124. Register SW3_SLP_VOLT - ADDR 0x40 .....        | 95  | Tab. 161. Register BATFET_CNFG - ADDR 0x11 .....          | 114 |
| Tab. 125. Register SW3_CTRL - ADDR 0x41 .....            | 95  | Tab. 162. Register THM_REG_CNFG - ADDR 0x12 .....         | 115 |
| Tab. 126. Register SW3_CTRL1 - ADDR 0x42 .....           | 96  | Tab. 163. Register VBUS_INLIM_CNFG - ADDR<br>0x14 .....   | 116 |
| Tab. 127. Register VSNVS_CTRL - ADDR 0x48 .....          | 96  | Tab. 164. Register VBUS_LIN_DPM - ADDR 0x15 .....         | 117 |
| Tab. 128. Register VREFDDR_CTRL - ADDR 0x4A .....        | 96  | Tab. 165. Register USB_PHY_LDO_CNFG - ADDR<br>0x16 .....  | 117 |
| Tab. 129. Register LDO1_VOLT - ADDR 0x4C .....           | 97  | Tab. 166. Register DBNC_DELAY_TIME - ADDR<br>0x18 .....   | 118 |
| Tab. 130. Register LDO1_CTRL - ADDR 0x4D .....           | 97  | Tab. 167. Register CHG_INT_CNFG - ADDR 0x19 .....         | 118 |
| Tab. 131. Register LDO2_VOLT - ADDR 0x4F .....           | 97  | Tab. 168. Register THM_ADJ_SETTING - ADDR<br>0x1A .....   | 118 |
| Tab. 132. Register LDO2_CTRL - ADDR 0x50 .....           | 98  | Tab. 169. Register VBUS2SYS_CNFG - ADDR 0x1B .....        | 119 |
| Tab. 133. Register LDO3_VOLT - ADDR 0x52 .....           | 98  | Tab. 170. Register LED_PWM - ADDR 0x1C .....              | 120 |
| Tab. 134. Register LDO3_CTRL - ADDR 0x53 .....           | 98  | Tab. 171. Register FAULT_BATFET_CNFG - ADDR<br>0x1D ..... | 120 |
| Tab. 135. Register PWRCTRL0 - ADDR 0x58 .....            | 99  | Tab. 172. Register LED_CNFG - ADDR 0x1E .....             | 121 |
| Tab. 136. Register PWRCTRL1 - ADDR 0x59 .....            | 99  | Tab. 173. Register LED_CNFG - ADDR 0x1F .....             | 122 |
| Tab. 137. Register PWRCTRL2 - ADDR 0x5A .....            | 100 | Tab. 174. Register PMIC bitmap .....                      | 122 |
| Tab. 138. Register PWRCTRL3 - ADDR 0x5B .....            | 100 | Tab. 175. Register charger bitmap .....                   | 126 |
| Tab. 139. Register SW1_PWRDN_SEQ - ADDR<br>0x5F .....    | 101 | Tab. 176. Register OTP bitmap .....                       | 128 |
| Tab. 140. Register SW2_PWRDN_SEQ - ADDR<br>0x60 .....    | 101 | Tab. 177. Bill of materials .....                         | 135 |
| Tab. 141. Register SW2_PWRDN_SEQ - ADDR<br>0x61 .....    | 102 | Tab. 178. Revision history .....                          | 142 |
| Tab. 142. Register LDO1_PWRDN_SEQ - ADDR<br>0x62 .....   | 102 |   |     |
| Tab. 143. Register LDO2_PWRDN_SEQ - ADDR<br>0x63 .....   | 103 |   |     |

## Figures

|   |    |   |    |
|---|----|---|----|
| Fig. 1. Application diagram .....           | 3  | Fig. 11. VSNVS block diagram .....  | 41 |
| Fig. 2. Functional block diagram .....      | 4  | Fig. 12. Battery charger internal block diagram .....                                   | 42 |
| Fig. 3. Internal block diagram .....        | 5  | Fig. 13. Charger low battery (Startup sequence,<br>USB insert, VBATT = 0 V) .....       | 43 |
| Fig. 4. Pinout diagram .....                | 7  | Fig. 14. Charger healthy battery (Startup sequence,<br>USB insert, VBATT = 3.8 V) ..... | 44 |
| Fig. 5. SWx DVS transitions .....           | 26 | Fig. 15. Input source detection delay .....   | 45 |
| Fig. 6. SWx DVS and non-DVS selection ..... | 27 | Fig. 16. Charger state diagram .....  | 46 |
| Fig. 7. SW3 block diagram .....             | 31 | Fig. 17. Charging profile .....   | 47 |
| Fig. 8. LDOy Block Diagram .....            | 36 | Fig. 18. Thermal regulation .....   | 57 |
| Fig. 9. LDO2 block diagram .....            | 39 |   |    |
| Fig. 10. VREFDDR block diagram .....        | 41 |   |    |

|          |  |    |          |  |     |
|----------|--|----|----------|--|-----|
| Fig. 19. | Thermal regulation (Current versus Temp, example with REGTEMP[1:0] = 00 and hysteresis .....       | 58 | Fig. 26. | PMIC state machine .....                             | 73  |
| Fig. 20. | Thermal regulation (Current, Temp versus Time, example with REGTEMP[1:0] = 00 and hysteresis ..... | 58 | Fig. 27. | A4 startup and power down sequence .....             | 79  |
| Fig. 21. | Response to input voltage droop during charging .....  | 60 | Fig. 28. | Typical schematic .....                              | 134 |
| Fig. 22. | DPM function .....   | 61 | Fig. 29. | Recommended shielding for critical signals ...       | 137 |
| Fig. 23. | CC charge current and CV charge voltage adjustment .....   | 63 | Fig. 30. | Generic buck regulator architecture .....            | 137 |
| Fig. 24. | Response to battery overcurrent .....  | 66 | Fig. 31. | Layout example for buck regulators .....             | 138 |
| Fig. 25. | I2C sequence .....   | 72 | Fig. 32. | Package outline for HVQFN40 (SOT1369-4) .....        | 139 |
|          |  |    | Fig. 33. | Package outline detail for HVQFN40 (SOT1369-4) ..... | 140 |
|          |  |    | Fig. 34. | Package outline notes for HVQFN40 (SOT1369-4) .....  | 141 |

## Contents

|          |  |           |           |   |           |
|----------|--|-----------|-----------|---|-----------|
| <b>1</b> | <b>General description</b> .....                   | <b>1</b>  | 7.4       | VREFDDR reference .....                       | 40        |
| 1.1      | Features and benefits .....                        | 1         | 7.5       | VSNVS LDO/switch .....                        | 41        |
| 1.2      | Applications .....                                 | 2         | <b>8</b>  | <b>Battery charger description</b> .....      | <b>42</b> |
| <b>2</b> | <b>Application diagram</b> .....                   | <b>3</b>  | 8.1       | Operating modes and behavioral                |           |
| 2.1      | Functional block diagram .....                     | 4         |           | description .....                             | 43        |
| 2.2      | Internal block diagram .....                       | 5         | 8.2       | Charger input source detection .....          | 45        |
| <b>3</b> | <b>Orderable parts</b> .....                       | <b>5</b>  | 8.3       | Input self-discharge for reliable charger     |           |
| <b>4</b> | <b>Pinning information</b> .....                   | <b>7</b>  |           | input interrupt .....                         | 45        |
| 4.1      | Pinning .....                                      | 7         | 8.4       | Charger state diagram .....                   | 46        |
| 4.2      | Pin definitions .....                              | 8         | 8.5       | Charging profile .....                        | 46        |
| <b>5</b> | <b>General product characteristics</b> .....       | <b>9</b>  | 8.5.1     | Precharge state .....                         | 47        |
| 5.1      | Thermal characteristics .....                      | 9         | 8.5.2     | Fast charge constant current state .....      | 48        |
| 5.2      | Absolute maximum ratings .....                     | 10        | 8.5.3     | Fast charge constant voltage state .....      | 50        |
| 5.3      | Electrical characteristics .....                   | 12        | 8.5.4     | End-of-charge state .....                     | 53        |
| 5.3.1    | Electrical characteristics – Battery charger ..... | 12        | 8.5.5     | Done state .....                              | 54        |
| 5.3.2    | Electrical characteristics – SW1 and SW2 .....     | 17        | 8.6       | Battery supplement mode .....                 | 54        |
| 5.3.3    | Electrical characteristics – SW3 .....             | 19        | 8.7       | Power path features .....                     | 55        |
| 5.3.4    | Electrical characteristics – LDO1 .....            | 20        | 8.7.1     | VSYS regulation .....                         | 55        |
| 5.3.5    | Electrical characteristics – LDO2 .....            | 20        | 8.7.2     | Input current limit .....                     | 55        |
| 5.3.6    | Electrical characteristics – LDO3 .....            | 21        | 8.7.3     | Battery thermistor .....                      | 56        |
| 5.3.7    | Electrical characteristics – VREFDDR .....         | 22        | 8.7.4     | BATFET soft start .....                       | 57        |
| 5.3.8    | Electrical characteristics – VSNVS .....           | 22        | 8.8       | Thermal .....                                 | 57        |
| 5.3.9    | Electrical characteristics – IC level bias         |           | 8.8.1     | Thermal regulation .....                      | 57        |
|          | currents .....                                     | 23        | 8.8.2     | Thermal foldback .....                        | 58        |
| <b>6</b> | <b>Detailed description</b> .....                  | <b>24</b> | 8.8.3     | Input voltage regulation mode .....           | 59        |
| 6.1      | Buck regulators .....                              | 25        | 8.8.4     | JEITA thermal control .....                   | 62        |
| 6.2      | SW1 and SW2 detailed description .....             | 25        | 8.9       | Fault states .....                            | 64        |
| 6.2.1    | SWx dynamic voltage scaling description .....      | 26        | 8.9.1     | Timer fault state .....                       | 64        |
| 6.2.2    | SWx DVS and non-DVS operation .....                | 26        | 8.9.2     | Watchdog timer state .....                    | 65        |
| 6.2.3    | Regulator control .....                            | 27        | 8.9.3     | Thermal shutdown state .....                  | 65        |
| 6.2.4    | Current limit protection .....                     | 28        | 8.9.4     | Battery overvoltage state .....               | 65        |
| 6.2.5    | Output voltage setting in SWx .....                | 28        | 8.9.5     | Charger fault priority .....                  | 65        |
| 6.2.6    | SWx external components .....                      | 31        | 8.9.6     | Battery overcurrent limit .....               | 66        |
| 6.3      | SW3 detailed description .....                     | 31        | 8.10      | LED indicator .....                           | 67        |
| 6.3.1    | Regulator control .....                            | 32        | <b>9</b>  | <b>Control and interface signals</b> .....    | <b>68</b> |
| 6.3.2    | Current limit protection .....                     | 33        | 9.1       | PWRON .....                                   | 68        |
| 6.3.3    | Output voltage setting in SW3 .....                | 33        | 9.2       | STANDBY .....                                 | 69        |
| 6.3.4    | SW3 external components .....                      | 34        | 9.3       | RESETBMCU .....                               | 69        |
| <b>7</b> | <b>Low dropout linear regulators, VREFDDR</b>      |           | 9.4       | INTB .....                                    | 70        |
|          | <b>and VSNVS</b> .....                             | <b>34</b> | 9.5       | WDI .....                                     | 70        |
| 7.1      | General description .....                          | 34        | 9.6       | ONKEY .....                                   | 71        |
| 7.2      | LDO1 and LDO3 detailed description .....           | 35        | 9.7       | Control interface I2C block description ..... | 71        |
| 7.2.1    | Features summary .....                             | 35        | 9.7.1     | I2C device ID .....                           | 71        |
| 7.2.2    | LDOy block diagram .....                           | 36        | 9.7.2     | I2C operation .....                           | 72        |
| 7.2.3    | LDOy external components .....                     | 36        | <b>10</b> | <b>PF1550 state machine</b> .....             | <b>72</b> |
| 7.2.4    | LDOy output voltage setting .....                  | 36        | 10.1      | System ON states .....                        | 73        |
| 7.2.5    | LDOy low-power mode operation .....                | 37        | 10.1.1    | Run state .....                               | 73        |
| 7.2.6    | LDOy current limit protection .....                | 37        | 10.1.2    | STANDBY state .....                           | 74        |
| 7.2.7    | LDOy load switch mode .....                        | 38        | 10.1.3    | SLEEP state .....                             | 74        |
| 7.3      | LDO2 detailed description .....                    | 38        | 10.2      | System OFF states .....                       | 74        |
| 7.3.1    | LDO2 features summary .....                        | 38        | 10.2.1    | REGS_DISABLE .....                            | 74        |
| 7.3.2    | LDO2 block diagram .....                           | 39        | 10.2.2    | CORE_OFF .....                                | 74        |
| 7.3.3    | LDO2 external components .....                     | 39        | 10.2.3    | SHIP .....                                    | 75        |
| 7.3.4    | LDO2 output voltage setting .....                  | 39        | 10.3      | Turn on events .....                          | 75        |
| 7.3.5    | LDO2 Low-power mode operation .....                | 40        | 10.4      | Turn off events .....                         | 75        |
| 7.3.6    | LDO2 current limit protection .....                | 40        | 10.5      | State diagram and transition conditions ..... | 76        |