

Test Procedure for MC34063 Inverting Regulator (SMD) Demonstration Board

ON Semiconductor



11/11/2003

Table 1: Required Equipment

Three Black Test Leads	Three Red Test Leads	100mA load (or 33 ohm, 1W resistor)
12 VDC Power Supply	MC34063 Inverting Regulator	Digital Multimeter
Four Alligator Clips		

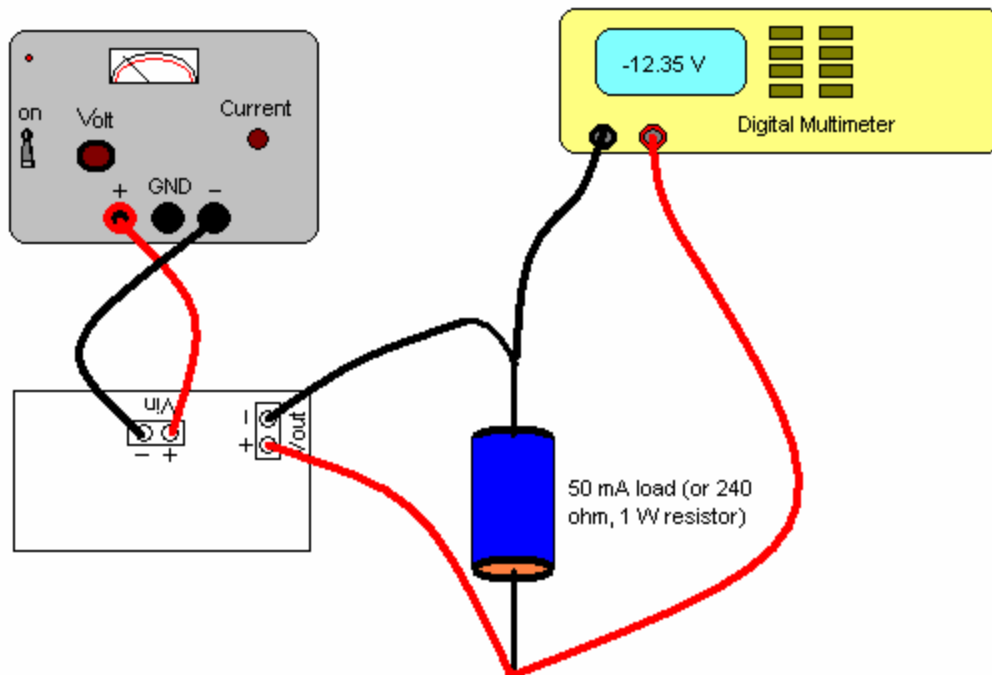


Figure 1: Test Procedure for MC34063

1. Attach 50 mA load (or 240 ohm, 1 W resistor) to connector P202.
2. Attach 5 VDC source to connector P201 – observe polarity.
3. Turn on 5 VDC source.
4. Measure DC output voltage at connector P202.
5. DC voltage should be -12.3V +/- 0.3V.
6. Remove load.
7. Measure DC output voltage at connector P202.
8. DC voltage should be -12.3V +/- 0.3V.
9. Remove 5 VDC source and disconnect load – test complete.