

# MC56F837XXDS

## MC56F837xx

### Supports MC56F837xx and MC56F837xxA

#### Features

- This family of digital signal controllers (DSCs) is based on the 32-bit 56800EX core. On a single chip, each device combines the processing power of a DSP and the functionality of an MCU, with a flexible set of peripherals to support many target applications:
  - Industrial control
  - Home appliances
  - General-purpose inverters
  - Smart sensors, fire and security systems
  - Switched-mode power supply and power management
  - Power distribution systems
  - Motor control (ACIM, BLDC, PMSM, SR, stepper)
  - Uninterruptible power supplies (UPS)
  - Solar inverter
  - Medical monitoring applications
- DSC based on 32-bit 56800EX core
  - Up to 100 MIPS at 100 MHz core frequency
  - DSP and MCU functionality in a unified, C-efficient architecture
- On-chip memory
  - Up to 2x128 KB dual partition flash memory with ECC protection and partition swap function
  - Up to 64 KB data/program RAM
  - Both on-chip flash memory and RAM can be mapped into both program and data memory spaces
  - 32 KB boot ROM supports boot from SCI, I2C and CAN
- Analog
  - Two high-speed, 8-ch external and 2-ch internal, 12-bit ADCs with dynamic x1, x2, and x4 programmable amplifier
  - Four analog comparators with integrated 8-bit DAC references
  - Up to two 12-bit digital-to-analog converters (DAC)
  - On-chip temperature sensors
- Communication interfaces
  - Up to three high-speed queued SCI (QSCI) modules with LIN slave functionality
  - Up to two queued SPI (QSPI) modules
  - Two I2C/SMBus ports
  - One FlexCAN module, with Flexible Data-rate (CAN-FD) supported
  - One USB2.0 controller with integrated PHY
- PWM and Timers
  - Two high resolution eFlexPWM modules with up to 2x8 PWM outputs, including 2x8 channels with 312ps resolution NanoEdge placement
  - Two 16-bit quad timers (2 x 4 16-bit timers)
  - Two Periodic Interval Timers (PITs)
- Security and integrity
  - Cyclic Redundancy Check (CRC) generator
  - Windowed Computer operating properly (COP) watchdog
  - External Watchdog Monitor (EWM)
- Clocks
  - On-chip relaxation oscillators: 200 kHz, and 48 MHz IRC
  - Crystal / resonator oscillator
- System
  - Integrated power-on reset (POR) and low-voltage interrupt (LVI) and brown-out reset module
  - Inter-Module Crossbar and Event Generator
  - JTAG/enhanced on-chip emulation (EOnCE) for unobtrusive, real-time debugging
- Operating characteristics
  - Single supply: 2.7 V to 3.6 V
  - 5 V-tolerant I/O (except for 3.3 V RESET\_B and USB\_DP/USB\_DM pins)
  - Operation ambient temperature (V): -40 to 105°C
  - Operation ambient temperature (M): -40 to 125°C
- 100-pin LQFP, 80-pin LQFP, and 64-pin LQFP packages
- AEC-Q100 Qualified available for MC56F837xxA

# Table of Contents

1	Overview.....	3	7.8	Definition: Typical value.....	41
1.1	Product Family.....	3	7.9	Typical value conditions.....	42
1.2	56800EX 32-bit Digital Signal Controller (DSC) core.....	4	8	Ratings.....	43
1.3	Operation Parameters.....	5	8.1	Thermal handling ratings.....	43
1.4	Interrupt Controller.....	5	8.2	Moisture handling ratings.....	43
1.5	Peripheral highlights.....	6	8.3	ESD handling ratings.....	43
1.6	Block diagrams.....	12	8.4	Voltage and current operating ratings.....	44
2	MC56F83xxx Signal and pin descriptions.....	15	9	General.....	45
3	Signal groups.....	30	9.1	General characteristics.....	45
4	Pinout.....	30	9.2	AC electrical characteristics.....	46
4.1	Signal Multiplexing and Pin Assignments.....	30	9.3	Nonswitching electrical specifications.....	47
4.2	Pinout diagrams.....	33	9.4	Switching specifications.....	53
5	Ordering parts.....	36	9.5	Thermal specifications.....	54
5.1	Determining valid orderable parts.....	36	10	Peripheral operating requirements and behaviors.....	55
5.2	Part number list.....	37	10.1	Core modules.....	55
6	Part identification.....	37	10.2	System modules.....	56
6.1	Description.....	37	10.3	Clock modules.....	57
6.2	Format.....	38	10.4	Memories and memory interfaces.....	59
6.3	Fields.....	38	10.5	Analog.....	61
6.4	Example.....	38	10.6	PWMs and timers.....	67
7	Terminology and guidelines.....	39	10.7	Communication interfaces.....	68
7.1	Definition: Operating requirement.....	39	11	Design Considerations.....	74
7.2	Definition: Operating behavior.....	39	11.1	Thermal design considerations.....	74
7.3	Definition: Attribute.....	39	11.2	Electrical design considerations.....	75
7.4	Definition: Rating.....	40	11.3	Power-on Reset design considerations.....	77
7.5	Result of exceeding a rating.....	40	12	Obtaining package dimensions.....	78
7.6	Relationship between ratings and operating requirements.....	40	13	Product documentation.....	78
7.7	Guidelines for ratings and operating requirements.....	41	14	Revision history.....	78

# 1 Overview

## 1.1 Product Family

The following table lists major features, including features that differ among members of the family. Features not listed are shared by all members of the family.

**Table 1. MC56F837xx Family**

Feature	MC56F83					
	789	769	786	766	783	763
Core frequency (MHz)	100					
Flash memory (KB)	256	128	256	128	256	128
RAM (KB)	64	48	64	48	64	48
ROM (KB)	32					
Flash block Swap	Yes					
Inter-module Xbar	Yes					
Event Generator	4					
Windowed Watchdog	1					
External Watchdog Monitor	1					
eDMA	4-Ch					
Internal OSC	200 kHz / 48 MHz					
External Crystal Oscillator	Yes (4 MHz ~ 16 MHz)					
Comparator	4					
Cyclic ADC channels (External + Internal)	2 x (8+2)					
NanoEdge PWM: high-resolution	2 x 8	2 x 8 <sup>1</sup>		1 x 8 + 1 x 6 <sup>2</sup>		
Timers	2 x 4					
Periodic Interval Timers	2					
12bit DAC	2					
CAN-FD	1					
I2C/SMBus	2					
QSCI	3	3		2		
QSPI	2	2		1		
USB 2.0 FS/LS	1	—		—		
GPIO	82	68		54		
Operating Temperature	-40°C to 105°C (V Temperature), and -40°C to 125°C (M Temperature)					
LQFP package pin count	100 LQFP	80 LQFP		64 LQFP		
AEC-Q100 <sup>3</sup>	Yes	No		Yes		

1. The outputs of PWMB\_3A and PWMB\_3B are available through the on-chip inter-module crossbar (XBAR).

2. The outputs of PWMB are available through XBAR. PWMA\_3B/PWMA\_3A coupled with XB\_OUT10/XB\_OUT11.

## 1.2 56800EX 32-bit Digital Signal Controller (DSC) core

- Efficient 32-bit 56800EX Digital Signal Processor (DSP) engine with modified dual Harvard architecture:
  - Three internal address buses
  - Four internal data buses: two 32-bit primary buses, one 16-bit secondary data bus, and one 16-bit instruction bus
  - 32-bit data accesses
  - Supports concurrent instruction fetches in the same cycle, and dual data accesses in the same cycle
  - 20 addressing modes
- 162 basic instructions
- Instruction set supports both fractional arithmetic and integer arithmetic
- 32-bit internal primary data buses support 8-bit, 16-bit, and 32-bit data movement, plus addition, subtraction, and logical operations
- Single-cycle  $16 \times 16$ -bit  $\rightarrow$  32-bit and  $32 \times 32$ -bit  $\rightarrow$  64-bit multiplier-accumulator (MAC) with dual parallel moves
- 32-bit arithmetic and logic multi-bit shifter
- Four 36-bit accumulators, including extension bits
- Parallel instruction set with unique DSP addressing modes
- Hardware DO and REP loops
- Bit reverse address mode, which effectively supports DSP and Fast Fourier Transform algorithms
- Full shadowing of the register stack for zero-overhead context saves and restores: nine shadow registers correspond to nine address registers (R0, R1, R2, R3, R4, R5, N, N3, M01)
- Instruction set supports both DSP and controller functions
- Controller-style addressing modes and instructions enable compact code
- Enhanced bit manipulation instruction set
- Efficient C compiler and local variable support
- Software subroutine and interrupt stack, with the stack's depth limited only by memory
- Priority level setting for interrupt levels
- JTAG/Enhanced On-Chip Emulation (OnCE) for unobtrusive, real-time debugging that is independent of processor speed

## 1.3 Operation Parameters

### NOTE

Load bandgap and clock trims manually, if not using the software-generated startup code.

- Up to 100 MHz core frequency.
- Operation ambient temperature:
  - V Temperature option: -40 °C to 105 °C
  - M Temperature option: -40 °C to 125 °C
- Single 3.3 V power supply
- Supply range:  $V_{DD} - V_{SS} = 2.7 \text{ V to } 3.6 \text{ V}$ ,  $V_{DDA} - V_{SSA} = 2.7 \text{ V to } 3.6 \text{ V}$

## 1.4 Interrupt Controller

- Five interrupt priority levels
  - Three user-programmable priority levels for each interrupt source: level 0, level 1, level 2
  - Unmaskable level 3 interrupts include illegal instruction, hardware stack overflow, misaligned data access, SWI3 instruction
  - Interrupt level 3 is highest priority and non-maskable. Its sources include:
    - Illegal instructions
    - Hardware stack overflow
    - SWI instruction
    - EOnce interrupts
    - Misaligned data accesses
  - Lowest-priority software interrupt: level LP
- Support for nested interrupts, so that a higher priority level interrupt request can interrupt lower priority interrupt subroutine
- Masking of interrupt priority level is managed by the 56800EX core
- Two programmable fast interrupts that can be assigned to any interrupt source
- Notification to System Integration Module (SIM) to restart clock when in wait and stop states
- Ability to relocate interrupt vector table

## 1.5 Peripheral highlights

### 1.5.1 Enhanced Flex Pulse Width Modulator (eFlexPWM)

- 16 bits of resolution for center, edge-aligned, and asymmetrical PWMs
- PWMA with NanoEdge high resolution
  - Fractional delay for enhanced resolution of the PWM period and edge placement
  - Arbitrary PWM edge placement
  - 312 ps PWM frequency and duty-cycle resolution when NanoEdge functionality is enabled.
- PWM outputs can be configured as complementary output pairs or independent outputs
- Dedicated time-base counter with period and frequency control per submodule
- Independent top and bottom deadtime insertion for each complementary pair
- Independent control of both edges of each PWM output
- Enhanced input capture and output compare functionality on each input:
  - Channels not used for PWM generation can be used for buffered output compare functions.
  - Channels not used for PWM generation can be used for input capture functions.
  - Enhanced dual edge capture functionality
- Synchronization of submodule to external hardware (or other PWM) is supported.
- Double-buffered PWM registers
  - Integral reload rates from 1 to 16
  - Half-cycle reload capability
- Multiple output trigger events can be generated per PWM cycle via hardware.
- Support for double-switching PWM outputs
- Up to eight fault inputs can be assigned to control multiple PWM outputs
  - Programmable filters for fault inputs
- Independently programmable PWM output polarity
- Individual software control of each PWM output
- All outputs can be programmed to change simultaneously via a FORCE\_OUT event.
- PWMX pin can optionally output a third PWM signal from each submodule
- Option to supply the source for each complementary PWM signal pair from any of the following:
  - Crossbar module outputs
  - External ADC input, taking into account values set in ADC high and low limit registers
- 312 ps resolution can be enabled for period, duty and deadtime related registers
- Direct phase shift controls among each submodule
- Trigger signal can share the same load frequency as reload signal in each submodule

### 1.5.2 12-bit Analog-to-Digital Converter (Cyclic type)

- Two independent 12-bit analog-to-digital converters (ADCs):
  - 2 x 8-channel external inputs
  - Built-in x1, x2, x4 programmable gain pre-amplifier
  - Maximum ADC clock frequency up to 25 MHz, having period as low as 40 ns
  - Single conversion time of 10 ADC clock cycles
  - Additional conversion time of 8 ADC clock cycles
- Support of analog inputs for single-ended and differential (including unipolar differential) conversions
- Sequential and parallel scan modes. Parallel mode includes simultaneous and independent scan modes.
- Samples of each ADC have offset, limit and zero-crossing calculation supported
- ADC conversions can be synchronized by *any* module connected to the internal crossbar module, such as PWM, timer, GPIO, and comparator modules.
- Support for hardware-triggering and software-triggering conversions
- Support for a multi-triggering mode with a programmable number of conversions on each trigger
- Each ADC has ability to scan and store up to 8 conversion results.
- Current injection protection

### 1.5.3 Periodic Interrupt Timer (PIT) Modules

- 16-bit counter with programmable count modulo
- PIT0 is master and PIT1 is slave (if synchronizing both PITs)
- The output signals of both PIT0 and PIT1 are internally connected to a peripheral crossbar module
- Can run when the CPU is in Wait/Stop modes. Can also wake up the CPU from Wait/Stop modes.
- In addition to its existing bus clock (up to 100 MHz), 3 alternate clock sources for the counter clock are available:
  - Crystal oscillator output
  - 48 MHz/6
  - On-chip low-power 200 kHz oscillator

### 1.5.4 Inter-Module Crossbar and Event Generator (EVTG) logic

- Provides generalized connections between and among on-chip peripherals: ADCs, 12-bit DAC, comparators, quad-timers, eFlexPWMs, EWM, and select I/O pins
- User-defined input/output pins for all modules connected to the crossbar

- DMA request and interrupt generation from the crossbar
- Write-once protection for all registers
- The EVTG module mainly includes two parts: Two AND/OR/INVERT (known simply as the AOI) modules and one configurable Flip-Flop. It supports the generation of a configurable number of EVENT signals. The inputs are from crossbar (XBAR) outputs, and the outputs feed to XBAR inputs.

### 1.5.5 Comparator

- Full rail-to-rail comparison range
- Support for high and low speed modes
- Selectable input source includes external pins and internal DACs
- Programmable output polarity
- 8-bit programmable DAC as a voltage reference per comparator
- Three programmable hysteresis levels
- Selectable interrupt on rising-edge, falling-edge, or toggle of a comparator output

### 1.5.6 12-bit Digital-to-Analog Converter

- 12-bit resolution
- Powerdown mode
- Automatic mode allows the DAC to automatically generate pre-programmed output waveforms, including square, triangle, and sawtooth waveforms (for applications like slope compensation)
- Programmable period, update rate, and range
- Output can be routed to an internal comparator, or optionally to an off-chip destination

### 1.5.7 Quad Timer

- Four 16-bit up/down counters, with a programmable prescaler for each counter
- Operation modes: edge count, gated count, signed count, capture, compare, PWM, signal shot, single pulse, pulse string, cascaded, quadrature decode
- Programmable input filter
- Counting start can be synchronized across counters

### 1.5.8 Queued Serial Communications Interface (QSCI) modules with LIN Slave Functionality

- Operating clock can be up to two times the CPU operating frequency



- Four-word-deep FIFOs available on both transmit and receive buffers
- Standard mark/space non-return-to-zero (NRZ) format
- 16-bit integer and 3-bit fractional baud rate selection
- Full-duplex or single-wire operation
- Programmable 8-bit or 9-bit data format
- Error detection capability
- Two receiver wakeup methods:
  - Idle line
  - Address mark
- 1/16 bit-time noise detection
- Support for Local Interconnect Network (LIN) slave operation

### **1.5.9 Queued Serial Peripheral Interface (QSPI) modules**

- Maximum 25 Mbit/s baud rate
- Selectable baud rate clock sources for low baud rate communication
- Baud rate as low as the maximum Baud rate / 4096
- Full-duplex operation
- Master and slave modes
- Double-buffered operation with separate transmit and receive registers
- Four-word-deep FIFOs available on transmit and receive buffers
- Programmable length transmissions (2 bits to 16 bits)
- Programmable transmit and receive shift order (MSB or LSB as first bit transmitted)

### **1.5.10 Inter-Integrated Circuit (I2C)/System Management Bus (SMBus) modules**

- Compatible with I2C bus standard
- Support for System Management Bus (SMBus) specification, version 2
- Multi-master operation
- General call recognition
- 10-bit address extension
- Start/Repeat and Stop indication flags
- Support for dual slave addresses or configuration of a range of slave addresses
- Programmable glitch input filter

### 1.5.11 Flexiable Controller Area Network (FlexCAN) module

This device utilizes the FlexCAN which is configured with 32 message buffers and DMA support as well as CAN-FD (Flexible Data-rate). The FlexCAN module is a communication controller implementing the CAN protocol according to the CAN 2.0B protocol specification. The interface between CAN engine and CPU is done via a mailbox system (Message Buffers) stored in embedded RAM.

- Full implementation of the CAN with Flexible Data Rate (CAN FD) protocol specification and CAN protocol specification, Version 2.0 B
- Supports DMA request
- Flexible message buffers (MBs), totaling 32 message buffers of 8 bytes data length each, configurable as Rx or Tx
- SRAM array for 32 message buffer and individual mask registers.

### 1.5.12 Universal Serial Bus (USB) 2.0 controller

- Low Speed (1.5 Mbit/s) / Full Speed (12 Mbit/s)
- Device mode only in this device
- IRC48M with clock recovery block to eliminate the on-board crystal
- USB1.1 PHY included

### 1.5.13 Windowed Computer Operating Properly (COP) watchdog

- Programmable windowed timeout period
- Support for operation in all power modes: run mode, wait mode, stop mode
- Causes loss of reference reset 128 cycles after loss of reference clock to the PLL is detected
- Selectable reference clock source in support of EN60730 and IEC61508
- Selectable clock sources:
  - External crystal oscillator
  - On-chip low-power 200 kHz oscillator
  - System bus (IPBus up to 100 MHz)
  - 48 MHz/6
- Support for interrupt generation

### 1.5.14 External Watchdog Monitor (EWM)

- Monitors external circuit as well as the software flow
- Programmable timeout period

- Interrupt capability prior to timeout
- Independent output (EWM\_OUT\_b) that places external circuit (but not CPU and peripheral) in a safe mode when EWM timeout occurs
- Selectable reference clock source in support of EN60730 and IEC61508
- Wait mode and Stop mode operation is not supported.
- Selectable clock sources:
  - External crystal oscillator
  - On-chip low-power 200 kHz oscillator
  - System bus (IPBus up to 100 MHz)
  - 48 MHz/6

### 1.5.15 Power supervisor

- Power-on reset (POR) is released after  $V_{DD} > 2.7$  V during supply is ramped up; CPU, peripherals, and JTAG/EOnCE controllers exit RESET state
- Brownout reset ( $V_{DD} < 2.0$  V)
- Critical warn low-voltage interrupt (LVI 2.2 V)
- Peripheral low-voltage warning interrupt (LVI 2.7 V)

### 1.5.16 Phase-locked loop

- Output frequency range is optimized from 150 MHz to 450 MHz
- Input reference clock frequency: 8 MHz to 16 MHz
- Detection of loss of lock and loss of reference clock
- Ability to power down

### 1.5.17 Clock sources

#### 1.5.17.1 On-chip oscillators

- IRC48M
- 200 kHz low frequency clock as secondary clock source for COP, EWM, PIT

#### 1.5.17.2 Crystal oscillator

- Support for both high ESR crystal oscillator (ESR greater than 100  $\Omega$ ) and ceramic resonator
- Operating frequency: 4–16 MHz

### 1.5.18 Cyclic Redundancy Check (CRC) generator

- Hardware 16/32-bit CRC generator
- High-speed hardware CRC calculation
- Programmable initial seed value
- Programmable 16/32-bit polynomial
- Error detection for all single, double, odd, and most multi-bit errors
- Option to transpose input data or output data (CRC result) bitwise or bytewise,<sup>1</sup> which is required for certain CRC standards
- Option for inversion of final CRC result

### 1.5.19 General Purpose I/O (GPIO)

- 5 V tolerance (except RESET\_B and USB\_DP/USB\_DM pins)
- Individual control of peripheral mode or GPIO mode for each pin
- Programmable push-pull or open drain output
- Configurable pullup or pulldown on all input pins
- All pins (except JTAG, RESET\_B and USB\_DP/USB\_DM pins) default to be GPIO inputs
- 2 mA / 9 mA capability
- Controllable output slew rate

## 1.6 Block diagrams

The 56800EX core is based on a modified dual Harvard-style architecture, consisting of three execution units operating in parallel, and allowing as many as six operations per instruction cycle. The MCU-style programming model and optimized instruction set enable straightforward generation of efficient and compact code for the DSP and control functions. The instruction set is also efficient for C compilers, to enable rapid development of optimized control applications.

The device's basic architecture appears in [Figure 1](#) and [Figure 2](#). [Figure 1](#) shows how the 56800EX system buses communicate with internal memories, and the IPBus interface and the internal connections among the units of the 56800EX core. [Figure 2](#) shows the peripherals and control blocks connected to the IPBus bridge. See the specific device's Reference Manual for details.

---

1. A bytewise transposition is not possible when accessing the CRC data register via 8-bit accesses. In this case, user software must perform the bytewise transposition.

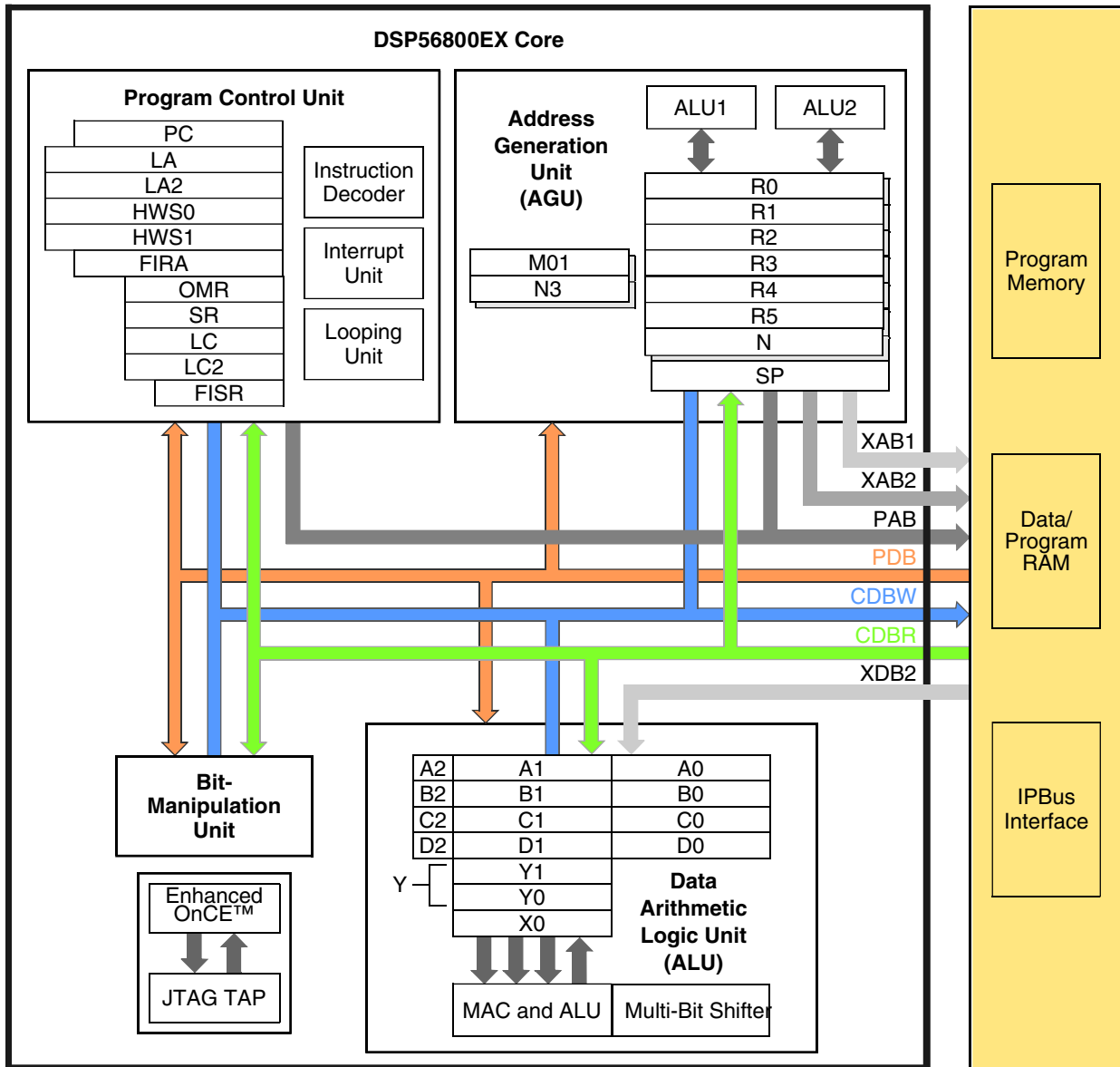
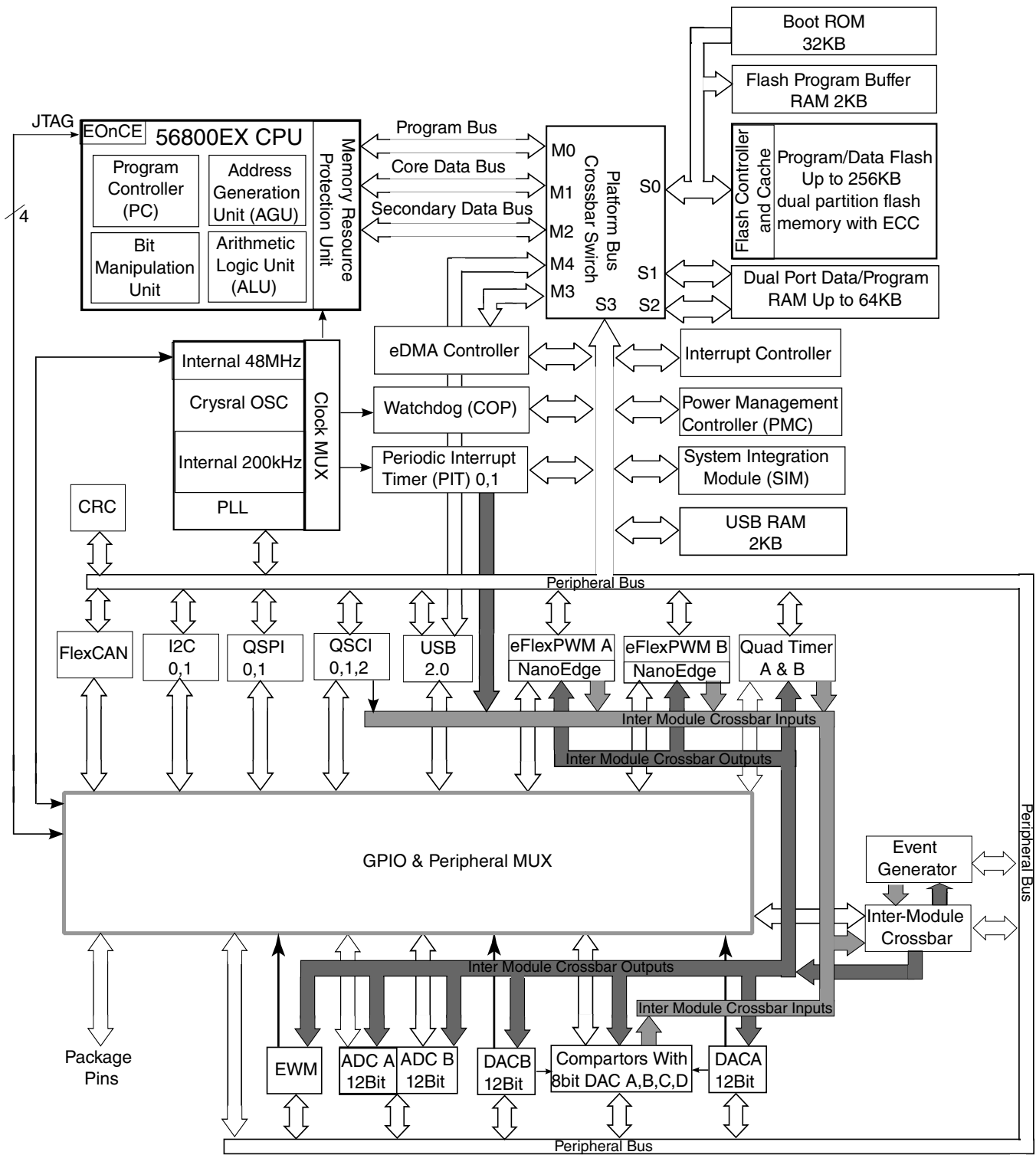


Figure 1. 56800EX basic block diagram

**Clock sources**



**Figure 2. System diagram**

## 2 MC56F83xxx Signal and pin descriptions

After reset, each pin is configured for its primary function (listed first). Any alternative functionality, shown in parentheses, must be programmed through the GPIO module peripheral enable registers (GPIO\_x\_PER) and the SIM module GPIO peripheral select (GPSx) registers. All GPIO ports can be individually programmed as an input or output (using bit manipulation).

- There are 2 eFlexPWM modules: PWMA, PWMB. Each eFlexPWM module has 4 submodules: eFlexPWMA has PWMA\_0, PWMA\_1, PWMA\_2, PWMA\_3; eFlexPWMB has PWMB\_0, PWMB\_1, PWMB\_2, PWMB\_3. Each eFlexPWM module's submodules have 3 pins (A, B, X) each, with the syntax for the pins being PWMA\_0A, PWMA\_0B, PWMA\_0X, and PWMA\_1A, PWMA\_1B, PWMA\_1X, and so on. Each submodule pin can be configured as a PWM output or as a capture input.
- PWMA\_FAULT0 ~ PWMA\_FAULT7 signals are inputs used to disable selected PWMA outputs, PWMB\_FAULT0 ~ PWMB\_FAULT7 signals are inputs used to disable selected PWMB outputs, in cases where the fault conditions originate off-chip. PWMA\_FAULT0 ~ PWMA\_FAULT4 and PWMB\_FAULT0 ~ PWMB\_FAULT4 are also from Inter-Peripheral Crossbar Switch (XBAR).
- EWM\_OUT\_B is the output of the External Watchdog Module (EWM), and is active low (denoted by the "\_B" part of the syntax).

For the MC56F83xxx family, which uses package types as below:

**Table 2. Signal descriptions**

Signal Name	100 LQFP	80 LQFP	64 LQFP	State During Reset	Type	Signal Description
V <sub>DD</sub>	7	—	—	Supply	Supply	I/O Power — Supplies 3.3 V power to the chip I/O interface.
V <sub>DD</sub>	43	35	29			
V <sub>DD</sub>	67	54	44			
V <sub>DD</sub>	96	76	60			
V <sub>SS</sub>	8	—	—	Supply	Supply	I/O Ground — Provide ground for the device I/O interface.
V <sub>SS</sub>	15	11	—			
V <sub>SS</sub>	44	36	30			
V <sub>SS</sub>	66	53	43			
V <sub>SS</sub>	97	77	61			
V <sub>DDA</sub>	31	26	22	Supply	Supply	Analog Power — Supplies 3.3 V power to the analog modules. It must be connected to a clean analog power supply.

*Table continues on the next page...*

Table 2. Signal descriptions (continued)

Signal Name	100 LQFP	80 LQFP	64 LQFP	State During Reset	Type	Signal Description
V <sub>SSA</sub>	32	27	23	Supply	Supply	Analog Ground — Supplies an analog ground to the analog modules. It must be connected to a clean power supply.
V <sub>DD_USB</sub>	41	—	—	Supply	Supply	USB domain power supply, 3.3 V.
V <sub>SS_USB</sub>	38	—	—	Supply	Supply	USB domain power supply, ground.
V <sub>CAP</sub>	16	12	—	On-chip regulator output voltage	On-chip regulator output voltage	Connect a 2.2μF (or greater) bypass capacitor between this pin and V <sub>SS</sub> , to stabilize the core voltage regulator output required for proper device operation. V <sub>CAP</sub> is used to observe core voltage.
V <sub>CAP</sub>	35	30	26			
V <sub>CAP</sub>	93	73	57			
TDI	100	80	64	Input, internal pullup enabled	Input	Test Data Input — Provides a serial input data stream to the JTAG/EOnCE port. It is sampled on the rising edge of TCK and has an internal pullup resistor. After reset, the default state is TDI.
(GPIOD0)					Input/Output	GPIO Port D0.
TDO	98	78	62	Output	Output	Test Data Output — This tri-state-able pin provides a serial output data stream from the JTAG/EOnCE port. It is driven in the shift-IR and shift-DR controller states, and it changes on the falling edge of TCK. After reset, the default state is TDO.
(GPIOD1)					Input/Output	GPIO Port D1.
TCK	1	1	1	Input, internal pulldown enabled	Input	Test Clock Input — This input pin provides a gated clock to synchronize the test logic and shift serial data to the JTAG/EOnCE port. The pin is connected internally to a pulldown resistor. A Schmitt-trigger input is used for noise immunity. After reset, the default state is TCK.
(GPIOD2)					Input/Output	GPIO Port D2.
TMS	99	79	63	Input, internal pullup enabled	Input	Test Mode Select Input — Used to sequence the JTAG TAP controller state machine. It is sampled on the rising edge of TCK and has an internal pullup resistor. After reset, the default state is TMS.  <b>NOTE:</b> Always tie the TMS pin to V <sub>DD</sub> through a 2.2K resistor, if needed to keep an on-board debug capability. Otherwise, tie the TMS pin directly to V <sub>DD</sub> . Except being configured as GPIO.
(GPIOD3)					Input/Output	GPIO Port D3.
RESET_B	2	2	2	Input, internal pullup enabled (This pin is 3.3V only.)	Input	Reset — A direct hardware reset on the processor. When RESET_B is asserted low, the device is initialized and placed in the reset state. A Schmitt-trigger input is used for noise immunity. The internal reset signal is deasserted synchronously with the internal clocks after a fixed number of internal clocks. After reset, the default state of this pin is

Table continues on the next page...



Table 2. Signal descriptions (continued)

Signal Name	100 LQFP	80 LQFP	64 LQFP	State During Reset	Type	Signal Description
						RESET. Recommended a capacitor of 0.1 $\mu$ F for filtering noise and up to 22 $\mu$ F for time delay if required.
(GPIOD4)					Input/ Open- drain Output	GPIO Port D4 — Can be individually programmed as an input or open-drain output pin. RESET functionality is disabled in this mode and the device can be reset only through Power-On Reset (POR), COP reset, or software reset.
<b>USB_DP</b>	39	—	—	Pull down	Input/ Output	USB D+ analog data signal on the USB bus.
<b>USB_DM</b>	40	—	—	Pull down	Input/ Output	USB D- analog data signal on the USB bus.
<b>GPIOA0</b>	22	17	13	Input	Input/ Output	GPIO Port A0 — after reset, the default state is GPIOA0.
(ANA0 & CMPA_IN3)					Input	ANA0 — ADCA input channel 0.  CMPA_IN3 — Analog comparator A input 3.  When used as an analog input, the signal goes to ANA0 and CMPA_IN3. <sup>1</sup>
(CMPC_O)					Output	Analog comparator C output.
<b>GPIOA1</b>	23	18	14	Input	Input/ Output	GPIO Port A1 — After reset, the default state is GPIOA1.
(ANA1 & CMPA_IN0)					Input	ANA1 — ADCA input channel 1.  CMPA_IN0 — Analog comparator A input 0.  When used as an analog input, the signal goes to ANA1 and CMPA_IN0. <sup>2</sup>
<b>GPIOA2</b>	24	19	15	Input	Input/ Output	GPIO Port A2 — After reset, the default state is GPIOA2.
(ANA2 & VREFHA & CMPA_IN1)					Input	ANA2 — ADCA input channel 2.  VREFHA — ADCA analog reference high.  CMPA_IN1 — Analog comparator A input 1.  When used as an analog input, the signal goes to ANA2 (or VREFHA) and CMPA_IN1. <sup>3</sup>  <b>NOTE:</b> ADC input can be configured as either ANA2 or VREFHA in the ADC Calibration Register.
<b>GPIOA3</b>	25	20	16	Input	Input/ Output	GPIO Port A3 — After reset, the default state is GPIOA3.
(ANA3 & VREFLA & CMPA_IN2)					Input	ANA3 — ADCA input channel 3.  VREFLA — ADCA analog reference low.  CMPA_IN2 — Analog comparator A input 2.  When used as an analog input, the signal goes to ANA3 (or VREFLA) and CMPA_IN2. <sup>3</sup>

Table continues on the next page...

Table 2. Signal descriptions (continued)

Signal Name	100 LQFP	80 LQFP	64 LQFP	State During Reset	Type	Signal Description
						<b>NOTE:</b> ADC input can be configured as either ANA3 or VREFLA in the ADC Calibration Register.
<b>GPIOA4</b>	21	16	12	Input	Input/Output	GPIO Port A4 — After reset, the default state is GPIOA4.
(ANA4 & CMPD_IN0)					Input	ANA4 — ADCA input channel 4. CMPD_IN0 — Analog comparator D input 0. When used as an analog input, the signal goes to ANA4 and CMPD_IN0. <sup>2</sup>
<b>GPIOA5</b>	20	15	11	Input	Input/Output	GPIO Port A5 — After reset, the default state is GPIOA5.
(ANA5)					Input	ANA5 — ADCA input channel 5.
<b>GPIOA6</b>	19	14	10	Input	Input/Output	GPIO Port A6 — After reset, the default state is GPIOA6.
(ANA6)					Input	ANA6 — ADCA input channel 6.
<b>GPIOA7</b>	17	13	9	Input	Input/Output	GPIO Port A7 — After reset, the default state is GPIOA7.
(ANA7)					Input	ANA7 — ADCA input channel 7.
<b>GPIOA8</b>	18	—	—	Input	Input/Output	GPIO Port A8 — After reset, the default state is GPIOA8.
(CMPD_IN1)					Input	CMPD_IN1 — Analog comparator D input 1.
<b>GPIOA9</b>	14	—	—	Input	Input/Output	GPIO Port A9 — After reset, the default state is GPIOA9.
(CMPD_IN2)					Input	CMPD_IN2 — Analog comparator D input 2.
<b>GPIOA10</b>	13	—	—	Input	Input/Output	GPIO Port A10 — After reset, the default state is GPIOA10.
(CMPD_IN3)					Input	CMPD_IN3 — Analog comparator D input 3.
<b>GPIOA11</b>	37	32	—	Input	Input/Output	GPIO Port A11 — After reset, the default state is GPIOA11.
(CMPC_O)					Input	Analog comparator C output.
(XB_IN9)					Input	Crossbar module input 9.
(XB_OUT10)					Output	Crossbar module output 10.
(USB_SOFOUT)		Output	USB start of frame signal. Can be used to make the USB start of frame available for external synchronization.			
<b>GPIOB0</b>	33	28	24	Input	Input/Output	GPIO Port B0 — After reset, the default state is GPIOB0.
(ANB0 & CMPB_IN3)					Input	ANB0 — ADCB input channel 0. CMPB_IN3 — Analog comparator B input 3. When used as an analog input, the signal goes to ANB0 and CMPB_IN3. <sup>1</sup>

Table continues on the next page...

Table 2. Signal descriptions (continued)

Signal Name	100 LQFP	80 LQFP	64 LQFP	State During Reset	Type	Signal Description
<b>GPIOB1</b>	34	29	25	Input	Input/Output	GPIO Port B1— After reset, the default state is GPIOB1.
(ANB1 & CMPB_IN0)					Input	ANB1 — ADCB input channel 1. CMPB_IN0 — Analog comparator B input 0. When used as an analog input, the signal goes to ANB1 and CMPB_IN0. <sup>1</sup>
DACB_O					Output	12-bit digital-to-analog B output.
<b>GPIOB2</b>	36	31	27	Input	Input/Output	GPIO Port B2 — After reset, the default state is GPIOB2.
(ANB2 & VREFHB & CMPC_IN3)					Input	ANB2 — ADCB input channel 2. VREFHB — ADCB analog reference high. CMPC_IN3 — Analog comparator C input 3. When used as an analog input, the signal goes to ANB2 (or VREFHB) and CMPC_IN3. <sup>3</sup> <b>NOTE:</b> ADC input can be configured as either ANB2 or VREFHB in the ADC Calibration Register.
<b>GPIOB3</b>	42	34	28	Input	Input/Output	GPIO Port B3 — After reset, the default state is GPIOB3.
(ANB3 & VREFLB & CMPC_IN0)					Input	ANB3 — ADCB input channel 3. VREFLB — ADCB analog reference low. CMPC_IN0 — Analog comparator C input 0. When used as an analog input, the signal goes to ANB3 (or VREFLB) and CMPC_IN0. <sup>3</sup> <b>NOTE:</b> ADC input can be configured as either ANB3 or VREFLB in the ADC Calibration Register.
<b>GPIOB4</b>	30	25	21	Input	Input/Output	GPIO Port B4 — After reset, the default state is GPIOB4.
(ANB4 & CMPC_IN1)					Input	ANB4 — ADCB input channel 4. CMPC_IN1 — Analog comparator C input 1. When used as an analog input, the signal goes to ANB4 and CMPC_IN1. <sup>1</sup>
<b>GPIOB5</b>	29	24	20	Input	Input/Output	GPIO Port B5 — After reset, the default state is GPIOB5.
(ANB5 & CMPC_IN2)					Input	ANB5 — ADCB input channel 5. CMPC_IN2 — Analog comparator C input 2. When used as an analog input, the signal goes to ANB5 and CMPC_IN2. <sup>1</sup>
<b>GPIOB6</b>	28	23	19	Input	Input/Output	GPIO Port B6 — After reset, the default state is GPIOB6.

Table continues on the next page...

Table 2. Signal descriptions (continued)

Signal Name	100 LQFP	80 LQFP	64 LQFP	State During Reset	Type	Signal Description
(ANB6 & CMPB_IN1)					Input	ANB6 — ADCB input channel 6. CMPB_IN1 — Analog comparator B input 1 When used as an analog input, the signal goes to ANB6 and CMPB_IN1. <sup>1</sup>
<b>GPIOB7</b>	26	21	17	Input	Input/Output	GPIO Port B7 — After reset, the default state is GPIOB7.
(ANB7 & CMPB_IN2)					Input	ANB7 — ADCB input channel 7. CMPB_IN2 — Analog comparator B input 2 When used as an analog input, the signal goes to ANB7 and CMPB_IN2. <sup>1</sup>
<b>GPIOB8</b>	—	33	—	Input	Input/Output	GPIO Port B8 — After reset, the default state is GPIOB8.
(CMPD_O)					Output	Analog comparator D output.
(XB_IN8)					Input	Crossbar module input 8.
(XB_OUT11)					Output	Crossbar module output 11.
<b>GPIOC0</b>	3	3	3	Input	Input/Output	GPIO Port C0 — After reset, the default state is GPIOC0.
(EXTAL)					Input	External crystal oscillator input (EXTAL) connects the internal crystal oscillator input to an external crystal or ceramic resonator.
(CLKIN0)					Input	External clock input 0 to OCCS. <b>NOTE:</b> If this pin is selected as device's external clock input, then both SIM_GPSCLC[C0] bit in SIM and OSCTL1[EXT_SEL] bit in OCCS must be set. The internal crystal oscillator should be powered down.
<b>GPIOC1</b>	4	4	4	Input	Input/Output	GPIO Port C1 — After reset, the default state is GPIOC1.
(XTAL)					Output	External crystal oscillator output (XTAL) connects the internal crystal oscillator output to an external crystal or ceramic resonator.
<b>GPIOC2</b>	5	5	5	Input	Input/Output	GPIO Port C2 — After reset, the default state is GPIOC2.
(TXD0)					Output	SCI0 transmit data output or transmit/receive in single-wire operation.
(TB0)					Input/Output	Quad timer module B channel 0 input/output.
(XB_IN2)					Input	Crossbar module input 2.
(CLKO0)					Output	Buffered clock output 0. <b>NOTE:</b> The clock source is selected by SIM_CLKOUT[CLKOSEL0] bits in SIM.
<b>GPIOC3</b>	11	9	7	Input	Input/Output	GPIO Port C3 — After reset, the default state is GPIOC3.

Table continues on the next page...

Table 2. Signal descriptions (continued)

Signal Name	100 LQFP	80 LQFP	64 LQFP	State During Reset	Type	Signal Description
(TA0)					Input/Output	Quad timer module A channel 0 input/output.
(CMPA_O)					Output	Analog comparator A output.
(RXD0)					Input	SCI0 receive data input.
(CLKIN1)					Input	External clock input 1 to OCCS.  <b>NOTE:</b> If this pin is selected as device's external clock input, then both SIM_GPSCl[C3] bits in SIM and OSCTL1[EXT_SEL] bit in OCCS must be set.
<b>GPIOC4</b>	12	10	8	Input	Input/Output	GPIO Port C4 — After reset, the default state is GPIOC4.
(TA1)					Input/Output	Quad timer module A channel 1 input/output.
(CMPB_O)					Output	Analog comparator B output.
(XB_IN8)					Input	Crossbar module input 8.
(EWM_OUT_B)					Output	External Watchdog Module output.
<b>GPIOC5</b>	27	22	18	Input	Input/Output	GPIO Port C5 — After reset, the default state is GPIOC5.
(DACA_O)					Output	12-bit digital-to-analog A output.
(XB_IN7)					Input	Crossbar module input 7.
<b>GPIOC6</b>	49	39	31	Input	Input/Output	GPIO Port C6 — After reset, the default state is GPIOC6.
(TA2)					Input/Output	Quad timer module A channel 2 input/output.
(XB_IN3)					Input	Crossbar module input 3.
(CMP_REF)					Input	Input 5 of analog comparator A and B and C and D.
(SS0_B)					Input/Output	SPI0 slave select.
<b>GPIOC7</b>	50	40	32	Input	Input/Output	GPIO Port C7 — After reset, the default state is GPIOC7.
(SS0_B)					Input / Output	SPI0 slave select.
(TXD0)					Output	SCI0 transmit data output or transmit/receive in single-wire operation.
(XB_IN8)					Input	Crossbar module input 8.
(XB_OUT6)					Output	Crossbar module output 6.
<b>GPIOC8</b>	52	41	33	Input	Input/Output	GPIO Port C8 — After reset, the default state is GPIOC8.
(MISO0)					Input/Output	SPI0 master in/slave out.
(RXD0)					Input	SCI0 receive data input.
(XB_IN9)					Input	Crossbar module input 9.

Table continues on the next page...

Table 2. Signal descriptions (continued)

Signal Name	100 LQFP	80 LQFP	64 LQFP	State During Reset	Type	Signal Description
<b>GPIOC9</b>	53	42	34	Input	Input/Output	GPIO Port C9 — After reset, the default state is GPIOC9.
(SCLK0)					Input/Output	SPI0 serial clock.
(XB_IN4)					Input	Crossbar module input 4.
(TXD0)					Output	SCI0 transmit data output or transmit/receive in single wire operation.
(XB_OUT8)					Output	Crossbar module output 8.
<b>GPIOC10</b>	54	43	35	Input	Input/Output	GPIO Port C10 — After reset, the default state is GPIOC10.
(MOSI0)					Input/Output	SPI0 Master out/slave in.
(XB_IN5)					Input	Crossbar module input 5.
(MISO0)					Input/Output	SPI0 master in/slave out.
(XB_OUT9)					Output	Crossbar module output 9.
<b>GPIOC11</b>	58	47	37	Input	Input/Output	GPIO Port C11 — After reset, the default state is GPIOC11.
(CANTX)					Open-drain Output	CAN transmit data output.
(SCL1)					Input/Open-drain Output	I <sup>2</sup> C1 serial clock.
(TXD1)					Output	SCI1 transmit data output or transmit/receive in single wire operation.
<b>GPIOC12</b>	59	48	38	Input	Input/Output	GPIO Port C12 — After reset, the default state is GPIOC12.
(CANRX)					Input	CAN receive data input.
(SDA1)					Input/Open-drain Output	I <sup>2</sup> C1 serial data line.
(RXD1)					Input	SCI1 receive data input.
<b>GPIOC13</b>	76	61	49	Input	Input/Output	GPIO Port C13 — After reset, the default state is GPIOC13.
(TA3)					Input/Output	Quad timer module A channel 3input/output.
(XB_IN6)					Input	Crossbar module input 6.
(EWM_OUT_B)					Output	External Watchdog Module output.
<b>GPIOC14</b>	87	70	55	Input	Input/Output	GPIO Port C14 — After reset, the default state is GPIOC14.

Table continues on the next page...

Table 2. Signal descriptions (continued)

Signal Name	100 LQFP	80 LQFP	64 LQFP	State During Reset	Type	Signal Description
(SDA0)					Input/ Open- drain Output	I <sup>2</sup> C0 serial data line.
(XB_OUT4)					Input	Crossbar module output 4.
(PWMA_FAULT4)					Input	PWM module A fault input 4 for disabling selected PWM module A outputs.
<b>GPIOC15</b>	88	71	56	Input	Input/ Output	GPIO Port C15 — After reset, the default state is GPIOC15.
(SCL0)					Input/ Open- drain Output	I <sup>2</sup> C0 serial clock.
(XB_OUT5)					Output	Crossbar module output 5.
(PWMA_FAULT5)					Input	PWM module A fault input 5 for disabling selected PWM module A outputs.
<b>GPIOD5</b>	10	8	—	Input	Input/ Output	GPIO Port D5 — After reset, the default state is GPIOD5.
(RXD2)					Input	SCI2 receive data input.
(XB_IN5)					Input	Crossbar module input 5.
(XB_OUT9)					Output	Crossbar module output 9.
<b>GPIOD6</b>	9	7	—	Input	Input/ Output	GPIO Port D6 — After reset, the default state is GPIOD6.
(TXD2)					Output	SCI2 transmit data output or transmit/receive in single-wire operation.
(XB_IN4)					Input	Crossbar module input 4.
(XB_OUT8)					Output	Crossbar module output 8.
<b>GPIOD7</b>	47	37	—	Input	Input/ Output	GPIO Port D7 — After reset, the default state is GPIOD7.
(XB_OUT11)					Output	Crossbar module output 11.
(XB_IN7)					Input	Crossbar module input 7.
(MISO1)					Input/ Output	SPI1 master in/slave out.
<b>GPIOE0</b>	68	55	45	Input	Input/ Output	GPIO Port E0 — After reset, the default state is GPIOE0.
(PWMA_0B)					Input/ Output	PWM module A, submodule 0, high resolution output B or input capture B.
(XB_OUT4)					Output	Crossbar module output 4.
<b>GPIOE1</b>	69	56	46	Input	Input/ Output	GPIO Port E1 — After reset, the default state is GPIOE1.
(PWMA_0A)					Input/ Output	PWM module A, submodule 0, high resolution output A or input capture A.
(XB_OUT5)					Output	Crossbar module output 5.

Table continues on the next page...

Table 2. Signal descriptions (continued)

Signal Name	100 LQFP	80 LQFP	64 LQFP	State During Reset	Type	Signal Description
<b>GPIOE2</b>	74	59	47	Input	Input/Output	GPIO Port E2 — After reset, the default state is GPIOE2.
(PWMA_1B)					Input/Output	PWM module A, submodule 1, high resolution output B or input capture B.
(XB_OUT6)					Output	Crossbar module output 6.
<b>GPIOE3</b>	75	60	48	Input	Input/Output	GPIO Port E3 — After reset, the default state is GPIOE3.
(PWMA_1A)					Input/Output	PWM module A, submodule 1, high resolution output A or input capture A.
(XB_OUT7)					Output	Crossbar module output 7.
<b>GPIOE4</b>	82	65	51	Input	Input/Output	GPIO Port E4 — After reset, the default state is GPIOE4.
(PWMA_2B)					Input/Output	PWM module A, submodule 2, high resolution output B or input capture B.
(XB_IN2)					Input	Crossbar module input 2.
(XB_OUT8)					Output	Crossbar module output 8.
<b>GPIOE5</b>	83	66	52	Input	Input/Output	GPIO Port E5 — After reset, the default state is GPIOE5.
(PWMA_2A)					Input/Output	PWM module A, submodule 2, high resolution output A or input capture A.
(XB_IN3)					Input	Crossbar module input 3.
(XB_OUT9)					Output	Crossbar module output 9.
<b>GPIOE6</b>	84	67	53	Input	Input/Output	GPIO Port E6 — After reset, the default state is GPIOE6.
(PWMA_3B)					Input/Output	PWM module A, submodule 3, high resolution output B or input capture B.
(XB_IN4)					Input	Crossbar module input 4.
(PWMB_2B)					Input/Output	PWM module B, submodule 2, high resolution output B or input capture B.
(XB_OUT10)					Output	Crossbar module output 10.
<b>GPIOE7</b>	85	68	54	Input	Input/Output	GPIO Port E7 — After reset, the default state is GPIOE7.
(PWMA_3A)					Input/Output	PWM module A, submodule 3, high resolution output A or input capture A.
(XB_IN5)					Input	Crossbar module input 5.
(PWMB_2A)					Input/Output	PWM module B, submodule 2, high resolution output A or input capture A.
(XB_OUT11)					Output	Crossbar module output 11.
<b>GPIOE8</b>	72	—	—	Input	Input/Output	GPIO Port E8 — After reset, the default state is GPIOE8.
(PWMB_2B)					Input/Output	PWM module B, submodule 2, high resolution output B or input capture B.

Table continues on the next page...



Table 2. Signal descriptions (continued)

Signal Name	100 LQFP	80 LQFP	64 LQFP	State During Reset	Type	Signal Description
(PWMA_FAULT0)					Input	PWM module A fault input 0 for disabling selected PWM module A outputs.
(XB_OUT8)					Output	Crossbar module output 8.
<b>GPIOE9</b>	73	—	—	Input	Input/Output	GPIO Port E9 — After reset, the default state is GPIOE9.
(PWMB_2A)					Input/Output	PWM module B, submodule 2, high resolution output A or input capture A.
(PWMA_FAULT1)					Input	PWM module A fault input 1 for disabling selected PWM module A outputs.
(XB_OUT9)					Output	Crossbar module output 9.
<b>GPIOF0</b>	55	44	36	Input	Input/Output	GPIO Port F0 — After reset, the default state is GPIOF0.
(XB_IN6)					Input	Crossbar module input 6.
(TB2)					Input/Output	Quad timer module B Channel 2 input/output.
(SCLK1)			—		Input/Output	SPI1 serial clock.
<b>GPIOF1</b>	77	62	50	Input	Input/Output	GPIO Port F1 — After reset, the default state is GPIOF1.
(CLKO1)					Output	Buffered clock output 1. <b>NOTE:</b> The clock source is selected by SIM_CLKOUT[CLKOSEL1] bits in SIM.
(XB_IN7)					Input	Crossbar module input 7.
(CMPD_O)					Output	Analog comparator D output.
<b>GPIOF2</b>	60	49	39	Input	Input/Output	GPIO Port F2 — After reset, the default state is GPIOF2.
(SCL1)					Input/Open-drain Output	I <sup>2</sup> C1 serial clock.
(XB_OUT6)					Output	Crossbar module output 6.
(MISO1)			—		Input/Output	SPI1 Master in/slave out.
<b>GPIOF3</b>	61	50	40	Input	Input/Output	GPIO Port F3 — After reset, the default state is GPIOF3.
(SDA1)					Input/Open-drain Output	I <sup>2</sup> C1 serial data line.
(XB_OUT7)					Output	Crossbar module output 7.
(MOSI1)			—		Input/Output	SPI1 Master out/slave in.
<b>GPIOF4</b>	62	51	41	Input	Input/Output	GPIO Port F4 — After reset, the default state is GPIOF4.

Table continues on the next page...

Table 2. Signal descriptions (continued)

Signal Name	100 LQFP	80 LQFP	64 LQFP	State During Reset	Type	Signal Description
(TXD1)					Output	SCI1 transmit data output or transmit/receive in single wire operation.
(XB_OUT8)					Output	Crossbar module output 8.
(PWMA_0X)					Input/Output	PWM module A, submodule 0, output X or input capture X.
(PWMA_FAULT6)					Input	PWM module A fault input 6 for disabling selected PWM module A outputs.
<b>GPIOF5</b>	63	52	42	Input	Input/Output	GPIO Port F5 — After reset, the default state is GPIOF5.
(RXD1)					Input	SCI1 receive data input.
(XB_OUT9)					Output	Crossbar module output 9.
(PWMA_1X)					Input/Output	PWM module A, submodule 1, output X or input capture X.
(PWMA_FAULT7)					Input	PWM module A fault input 7 for disabling selected PWM module A outputs.
<b>GPIOF6</b>	94	74	58	Input	Input/Output	GPIO Port F6 — After reset, the default state is GPIOF6.
(TB2)					Input/Output	Quad timer module B Channel 2 input/output.
(PWMA_3X)					Input/Output	PWM module A, submodule 3, output X or input capture X.
(PWMB_3X)					Input/Output	PWM module B, submodule 3, output X or input capture X.
(XB_IN2)					Input	Crossbar module input 2.
<b>GPIOF7</b>	95	75	59	Input	Input/Output	GPIO Port F7 — After reset, the default state is GPIOF7.
(TB3)					Input/Output	Quad timer module B Channel 3 input/output.
(CMPC_O)					Output	Analog comparator C output
(SS1_B)			—		Input/Output	SPI1 slave select.
(XB_IN3)					Input	Crossbar module input 3.
<b>GPIOF8</b>	6	6	6	Input	Input/Output	GPIO Port F8 — After reset, the default state is GPIOF8.
(RXD0)					Input	SCI0 receive data input.
(TB1)					Input/Output	Quad timer module B Channel 1 input/output.
(CMPD_O)					Output	Analog comparator D output.
(PWMA_2X)					Input/Output	PWM module A, submodule 2, output X or input capture X.
<b>GPIOF9</b>	57	46	—	Input	Input/Output	GPIO Port F9 — After reset, the default state is GPIOF9.
(RXD2)					Input	SCI2 receive data input.

Table continues on the next page...

Table 2. Signal descriptions (continued)

Signal Name	100 LQFP	80 LQFP	64 LQFP	State During Reset	Type	Signal Description
(PWMA_FAULT7)					Input	PWM module A fault input 7 for disabling selected PWM module A outputs.
(PWMB_FAULT7)					Input	PWM module B fault input 7 for disabling selected PWM module B outputs.
(XB_OUT11)					Output	Crossbar module output 11.
<b>GPIOF10</b>	56	45	—	Input	Input/ Output	GPIO Port F10 — After reset, the default state is GPIOF10.
(TXD2)					Output	SCI2 transmit data output or transmit/receive in single-wire operation.
(PWMA_FAULT6)					Input	PWM module A fault input 6 for disabling selected PWM module A outputs.
(PWMB_FAULT6)					Input	PWM module B fault input 6 for disabling selected PWM module B outputs.
(XB_OUT10)					Output	Crossbar module output 10.
<b>GPIOF11</b>	45	—	—	Input	Input/ Output	GPIO Port F11 — After reset, the default state is GPIOF11.
(TXD0)					Output	SCI0 transmit data output or transmit/receive in single-wire operation.
(XB_IN11)					Input	Crossbar module input 11.
<b>GPIOF12</b>	89	—	—	Input	Input/ Output	GPIO Port F12 — After reset, the default state is GPIOF12.
(MISO1)					Input/ Output	SPI1 master in/slave out.
(PWMB_FAULT2)					Input	PWM module B fault input 2 for disabling selected PWM module B outputs.
<b>GPIOF13</b>	90	—	—	Input	Input/ Output	GPIO Port F13 — After reset, the default state is GPIOF13.
(MOSI1)					Input/ Output	SPI1 master out/slave in.
(PWMB_FAULT1)					Input	PWM module B fault input 1 for disabling selected PWM module B outputs.
<b>GPIOF14</b>	91	—	—	Input	Input/ Output	GPIO Port F14 — After reset, the default state is GPIOF14.
(SCLK1)					Input/ Output	SPI1 serial clock.
(PWMB_FAULT0)					Input	PWM module B fault input 0 for disabling selected PWM module B outputs.
<b>GPIOF15</b>	46	—	—	Input	Input/ Output	GPIO Port F15 — After reset, the default state is GPIOF15.
(RXD0)					Input	SCI0 receive data input.
(XB_IN10)					Input	Crossbar module input 10.
<b>GPIOG0</b>	78	63	—	Input	Input/ Output	GPIO Port G0 — After reset, the default state is GPIOG0.

Table continues on the next page...

Table 2. Signal descriptions (continued)

Signal Name	100 LQFP	80 LQFP	64 LQFP	State During Reset	Type	Signal Description
(PWMB_1B)					Input/ Output	PWM module B, submodule 1, high resolution output B or input capture B.
(XB_OUT6)					Output	Crossbar module output 6.
<b>GPIOG1</b>	79	64	—	Input	Input/ Output	GPIO Port G1 — After reset, the default state is GPIOG1.
(PWMB_1A)					Input/ Output	PWM module B, submodule 1, high resolution output A or input capture A.
(XB_OUT7)					Output	Crossbar module output 7.
<b>GPIOG2</b>	70	57	—	Input	Input/ Output	GPIO Port G2 — After reset, the default state is GPIOG2.
(PWMB_0B)					Input/ Output	PWM module B, submodule 0, high resolution output B or input capture B.
(XB_OUT4)					Output	Crossbar module output 4.
<b>GPIOG3</b>	71	58	—	Input	Input/ Output	GPIO Port G3 — After reset, the default state is GPIOG3.
(PWMB_0A)					Input/ Output	PWM module B, submodule 0, high resolution output A or input capture A.
(XB_OUT5)					Output	Crossbar module output 5.
<b>GPIOG4</b>	80	—	—	Input	Input/ Output	GPIO Port G4 — After reset, the default state is GPIOG4.
(PWMB_3B)					Input/ Output	PWM module B, submodule 3, high resolution output B or input capture B.
(PWMA_FAULT2)					Input	PWM module A fault input 2 for disabling selected PWM module A outputs.
(XB_OUT10)					Output	Crossbar module output 10.
<b>GPIOG5</b>	81	—	—	Input	Input/ Output	GPIO Port G5 — After reset, the default state is GPIOG5.
(PWMB_3A)					Input/ Output	PWM module B, submodule 3, high resolution output A or input capture A.
(PWMA_FAULT3)					Input	PWM module A fault input 3 for disabling selected PWM module A outputs.
(XB_OUT11)					Output	Crossbar module output 11.
<b>GPIOG6</b>	86	69	—	Input	Input/ Output	GPIO Port G6 — After reset, the default state is GPIOG6.
(PWMA_FAULT4)					Input	PWM module A fault input 4 for disabling selected PWM module A outputs.
(PWMB_FAULT4)					Input	PWM module B fault input 4 for disabling selected PWM module B outputs.
(TB2)					Input/ Output	Quad timer module B Channel 2 input/output.
(XB_OUT8)					Output	Crossbar module output 8.
<b>GPIOG7</b>	92	72	—	Input	Input/ Output	GPIO Port G7 — After reset, the default state is GPIOG7.

Table continues on the next page...

Table 2. Signal descriptions (continued)

Signal Name	100 LQFP	80 LQFP	64 LQFP	State During Reset	Type	Signal Description
(PWMA_FAULT5)					Input	PWM module A fault input 5 for disabling selected PWM module A outputs.
(PWMB_FAULT5)					Input	PWM module B fault input 5 for disabling selected PWM module B outputs.
(XB_OUT9)					Output	Crossbar module output 9.
(USB_CLKIN)		—			Input	External clock input as option for USB module. It will replace internal 48Mhz clock when it is selected.
<b>GPIOG8</b>	64	—	—	Input	Input/Output	GPIO Port G8 — After reset, the default state is GPIOG8.
(PWMB_0X)					Input/Output	PWM module B, submodule 0, output X or input capture X.
(PWMA_0X)					Input/Output	PWM module A, submodule 0, output X or input capture X.
(TA2)					Input/Output	Quad timer module A Channel 2 input/output.
(XB_OUT10)					Output	Crossbar module output 10.
<b>GPIOG9</b>	65	—	—	Input	Input/Output	GPIO Port G9 — After reset, the default state is GPIOG9.
(PWMB_1X)					Input/Output	PWM module B, submodule 1, output X or input capture X
(PWMA_1X)					Input/Output	PWM module A, submodule 1, output X or input capture X
(TA3)					Input/Output	Quad timer module A Channel 3 input/output.
(XB_OUT11)					Output	Crossbar module output 11.
<b>GPIOG10</b>	51	—	—	Input	Input/Output	GPIO Port G10 — After reset, the default state is GPIOG10.
(PWMB_2X)					Input/Output	PWM module B, submodule 2, output X or input capture X.
(PWMA_2X)					Input/Output	PWM module A, submodule 2, output X or input capture X.
(XB_IN8)					Input	Crossbar module input 8.
<b>GPIOG11</b>	48	38	—	Input	Input/Output	GPIO Port G11 — After reset, the default state is GPIOG11.
(TB3)					Input/Output	Quad timer module B Channel 3 input/output.
(CLKO0)					Output	Buffered clock output 0. <b>NOTE:</b> The clock source is selected by SIM_CLKOUT[CLKOSEL0] bits in SIM.
(MOSI1)					Input/Output	SPI1 master out/slave in.

1. The glitch on this pin during ADC sampling may interfere with other analog inputs shared on this pin.
2. The glitch on this pin during ADC sampling may interfere with other analog inputs shared on this pin.

## Signal groups

- The glitch on this pin during ADC sampling may interfere with other analog inputs shared on this pin.

## 3 Signal groups

The input and output signals of this device are organized into functional groups, as listed in [Table 3](#).

**Table 3. Functional Group Pin Allocations**

Functional Group	Number of Pins		
	64 LQFP	80 LQFP	100 LQFP
Power Inputs ( $V_{DD}$ , $V_{DDA}$ , $V_{DD\_USB}$ ), Power Outputs ( $V_{CAP}$ )	6	7	9
Ground ( $V_{SS}$ , $V_{SSA}$ , $V_{SS\_USB}$ )	4	5	7
Reset	1	1	1
eFlexPWM with NanoEdge ports, not including fault pins	8	14	16
Queued Serial Peripheral Interface (QSPI) ports	6	12	15
Queued Serial Communications Interface (QSCI) ports	10	14	16
Inter-Integrated Circuit ( $I^2C$ ) interface ports	6	6	6
12-bit Analog-to-Digital Converter (Cyclic ADC) inputs	16	16	16
Analog Comparator inputs/outputs	15/6	15/8	17/7
12-bit Digital-to-Analog output	2	2	2
Quad Timer Module (TMR) ports	9	12	13
Controller Area Network (FlexCAN)	2	2	2
USB	—	—	4
Clock inputs/outputs	2/2	2/3	2/3
JTAG / Enhanced On-Chip Emulation (EOnCE)	4	4	4

## 4 Pinout

### 4.1 Signal Multiplexing and Pin Assignments

The following table shows the signals available on each pin and the locations of these pins on the devices supported by this document. The SIM module is responsible for selecting which ALT functionality is available on each pin.

100 LQFP	80 LQFP	64 LQFP	Pin Name	Default	ALT0	ALT1	ALT2	ALT3
—	33	—	GPIOB8	GPIOB8	CMPD_0	XB_IN8	XB_OUT11	
1	1	1	TCK	TCK	GPIOD2			
2	2	2	RESET_B	RESET_B	GPIOD4			

100 LQFP	80 LQFP	64 LQFP	Pin Name	Default	ALT0	ALT1	ALT2	ALT3
3	3	3	GPIOC0	GPIOC0	EXTAL	CLKIN0		
4	4	4	GPIOC1	GPIOC1	XTAL			
5	5	5	GPIOC2	GPIOC2	TXD0	TB0	XB_IN2	CLK00
6	6	6	GPIOF8	GPIOF8	RXD0	TB1	CMPD_O	PWMA_2X
7	—	—	VDD	VDD				
8	—	—	VSS	VSS				
9	7	—	GPIOD6	GPIOD6	TXD2	XB_IN4	XB_OUT8	
10	8	—	GPIOD5	GPIOD5	RXD2	XB_IN5	XB_OUT9	
11	9	7	GPIOC3	GPIOC3	TA0	CMPA_O	RXD0	CLKIN1
12	10	8	GPIOC4	GPIOC4	TA1	CMPB_O	XB_IN8	EWM_OUT_B
13	—	—	GPIOA10	GPIOA10	CMPD_IN3			
14	—	—	GPIOA9	GPIOA9	CMPD_IN2			
15	11	—	VSS	VSS				
16	12	—	VCAP	VCAP				
17	13	9	GPIOA7	GPIOA7	ANA7			
18	—	—	GPIOA8	GPIOA8	CMPD_IN1			
19	14	10	GPIOA6	GPIOA6	ANA6			
20	15	11	GPIOA5	GPIOA5	ANA5			
21	16	12	GPIOA4	GPIOA4	ANA4+CMPD_IN0			
22	17	13	GPIOA0	GPIOA0	ANA0+CMPA_IN3	CMPC_O		
23	18	14	GPIOA1	GPIOA1	ANA1+CMPA_IN0			
24	19	15	GPIOA2	GPIOA2	ANA2+VREFHA+CMPA_IN1			
25	20	16	GPIOA3	GPIOA3	ANA3+VREFLA+CMPA_IN2			
26	21	17	GPIOB7	GPIOB7	ANB7+CMPB_IN2			
27	22	18	GPIOC5	GPIOC5	DACA_O	XB_IN7		
28	23	19	GPIOB6	GPIOB6	ANB6+CMPB_IN1			
29	24	20	GPIOB5	GPIOB5	ANB5+CMPC_IN2			
30	25	21	GPIOB4	GPIOB4	ANB4+CMPC_IN1			
31	26	22	VDDA	VDDA				
32	27	23	VSSA	VSSA				
33	28	24	GPIOB0	GPIOB0	ANB0+CMPB_IN3			
34	29	25	GPIOB1	GPIOB1	ANB1+CMPB_IN0	DACB_O		
35	30	26	VCAP	VCAP				
36	31	27	GPIOB2	GPIOB2	ANB2+VERFHB+CMPC_IN3			
37	32	—	GPIOA11	GPIOA11	CMPC_O	XB_IN9	XB_OUT10	USB_SOFOUT
38	—	—	VSS_USB	VSS_USB				
39	—	—	USB_DP	USB_DP				
40	—	—	USB_DM	USB_DM				
41	—	—	VDD_USB	VDD_USB				

## Pinout

100 LQFP	80 LQFP	64 LQFP	Pin Name	Default	ALT0	ALT1	ALT2	ALT3
42	34	28	GPIOB3	GPIOB3	ANB3+VREFLB+CMPC_IN0			
43	35	29	VDD	VDD				
44	36	30	VSS	VSS				
45	—	—	GPIOF11	GPIOF11	TXD0	XB_IN11		
46	—	—	GPIOF15	GPIOF15	RXD0	XB_IN10		
47	37	—	GPIOD7	GPIOD7	XB_OUT11	XB_IN7	MISO1	
48	38	—	GPIOG11	GPIOG11	TB3	CLKO0	MOSI1	
49	39	31	GPIOC6	GPIOC6	TA2	XB_IN3	CMP_REF	SS0_B
50	40	32	GPIOC7	GPIOC7	SS0_B	TXD0	XB_IN8	XB_OUT6
51	—	—	GPIOG10	GPIOG10	PWMB_2X	PWMA_2X	XB_IN8	
52	41	33	GPIOC8	GPIOC8	MISO0	RXD0	XB_IN9	
53	42	34	GPIOC9	GPIOC9	SCLK0	XB_IN4	TXD0	XB_OUT8
54	43	35	GPIOC10	GPIOC10	MOSI0	XB_IN5	MISO0	XB_OUT9
55	44	36	GPIOF0	GPIOF0	XB_IN6	TB2	SCLK1	
56	45	—	GPIOF10	GPIOF10	TXD2	PWMA_FAULT6	PWMB_FAULT6	XB_OUT10
57	46	—	GPIOF9	GPIOF9	RXD2	PWMA_FAULT7	PWMB_FAULT7	XB_OUT11
58	47	37	GPIOC11	GPIOC11	CANTX	SCL1	TXD1	
59	48	38	GPIOC12	GPIOC12	CANRX	SDA1	RXD1	
60	49	39	GPIOF2	GPIOF2	SCL1	XB_OUT6	MISO1	
61	50	40	GPIOF3	GPIOF3	SDA1	XB_OUT7	MOSI1	
62	51	41	GPIOF4	GPIOF4	TXD1	XB_OUT8	PWMA_0X	PWMA_FAULT6
63	52	42	GPIOF5	GPIOF5	RXD1	XB_OUT9	PWMA_1X	PWMA_FAULT7
64	—	—	GPIOG8	GPIOG8	PWMB_0X	PWMA_0X	TA2	XB_OUT10
65	—	—	GPIOG9	GPIOG9	PWMB_1X	PWMA_1X	TA3	XB_OUT11
66	53	43	VSS	VSS				
67	54	44	VDD	VDD				
68	55	45	GPIOE0	GPIOE0	PWMA_0B			XB_OUT4
69	56	46	GPIOE1	GPIOE1	PWMA_0A			XB_OUT5
70	57	—	GPIOG2	GPIOG2	PWMB_0B	XB_OUT4		
71	58	—	GPIOG3	GPIOG3	PWMB_0A	XB_OUT5		
72	—	—	GPIOE8	GPIOE8	PWMB_2B	PWMA_FAULT0		XB_OUT8
73	—	—	GPIOE9	GPIOE9	PWMB_2A	PWMA_FAULT1		XB_OUT9
74	59	47	GPIOE2	GPIOE2	PWMA_1B			XB_OUT6
75	60	48	GPIOE3	GPIOE3	PWMA_1A			XB_OUT7
76	61	49	GPIOC13	GPIOC13	TA3	XB_IN6	EWM_OUT_B	
77	62	50	GPIOF1	GPIOF1	CLKO1	XB_IN7	CMPD_O	
78	63	—	GPIOG0	GPIOG0	PWMB_1B	XB_OUT6		
79	64	—	GPIOG1	GPIOG1	PWMB_1A	XB_OUT7		
80	—	—	GPIOG4	GPIOG4	PWMB_3B	PWMA_FAULT2		XB_OUT10
81	—	—	GPIOG5	GPIOG5	PWMB_3A	PWMA_FAULT3		XB_OUT11



100 LQFP	80 LQFP	64 LQFP	Pin Name	Default	ALT0	ALT1	ALT2	ALT3
82	65	51	GPIOE4	GPIOE4	PWMA_2B	XB_IN2		XB_OUT8
83	66	52	GPIOE5	GPIOE5	PWMA_2A	XB_IN3		XB_OUT9
84	67	53	GPIOE6	GPIOE6	PWMA_3B	XB_IN4	PWMB_2B	XB_OUT10
85	68	54	GPIOE7	GPIOE7	PWMA_3A	XB_IN5	PWMB_2A	XB_OUT11
86	69	—	GPIOG6	GPIOG6	PWMA_FAULT4	PWMB_FAULT4	TB2	XB_OUT8
87	70	55	GPIOC14	GPIOC14	SDA0	XB_OUT4	PWMA_FAULT4	
88	71	56	GPIOC15	GPIOC15	SCL0	XB_OUT5	PWMA_FAULT5	
89	—	—	GPIOF12	GPIOF12	MISO1	PWMB_FAULT2		
90	—	—	GPIOF13	GPIOF13	MOSI1	PWMB_FAULT1		
91	—	—	GPIOF14	GPIOF14	SCLK1	PWMB_FAULT0		
92	72	—	GPIOG7	GPIOG7	PWMA_FAULT5	PWMB_FAULT5	XB_OUT9	USB_CLKIN
93	73	57	VCAP	VCAP				
94	74	58	GPIOF6	GPIOF6	TB2	PWMA_3X	PWMB_3X	XB_IN2
95	75	59	GPIOF7	GPIOF7	TB3	CMPC_O	SS1_B	XB_IN3
96	76	60	VDD	VDD				
97	77	61	VSS	VSS				
98	78	62	TDO	TDO	GPIOD1			
99	79	63	TMS	TMS	GPIOD3			
100	80	64	TDI	TDI	GPIOD0			

## 4.2 Pinout diagrams

The following diagrams show pinouts for the packages. For each pin, the diagrams show the default function. However, many signals may be multiplexed onto a single pin.

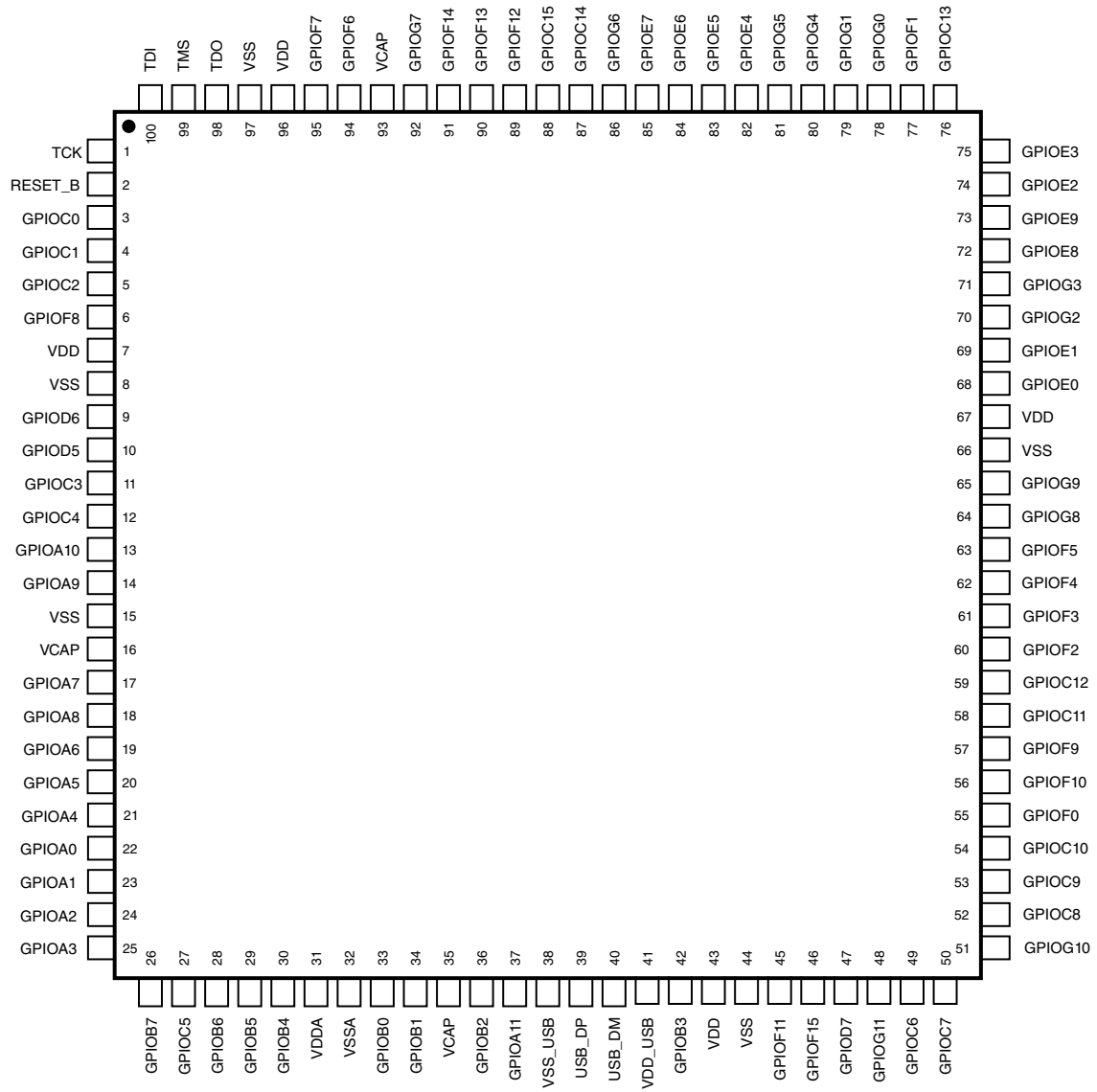


Figure 3. 100-pin LQFP

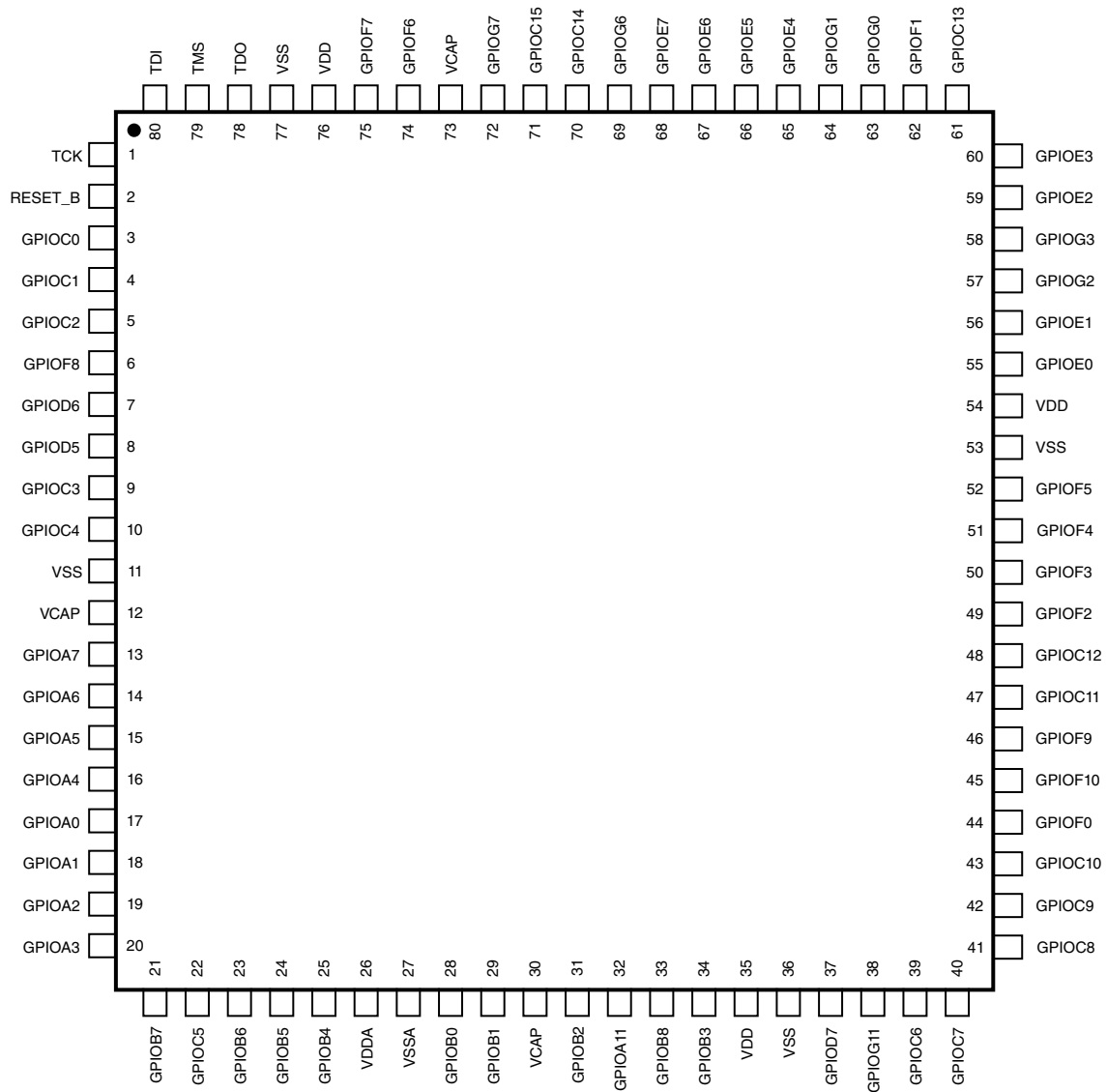


Figure 4. 80-pin LQFP

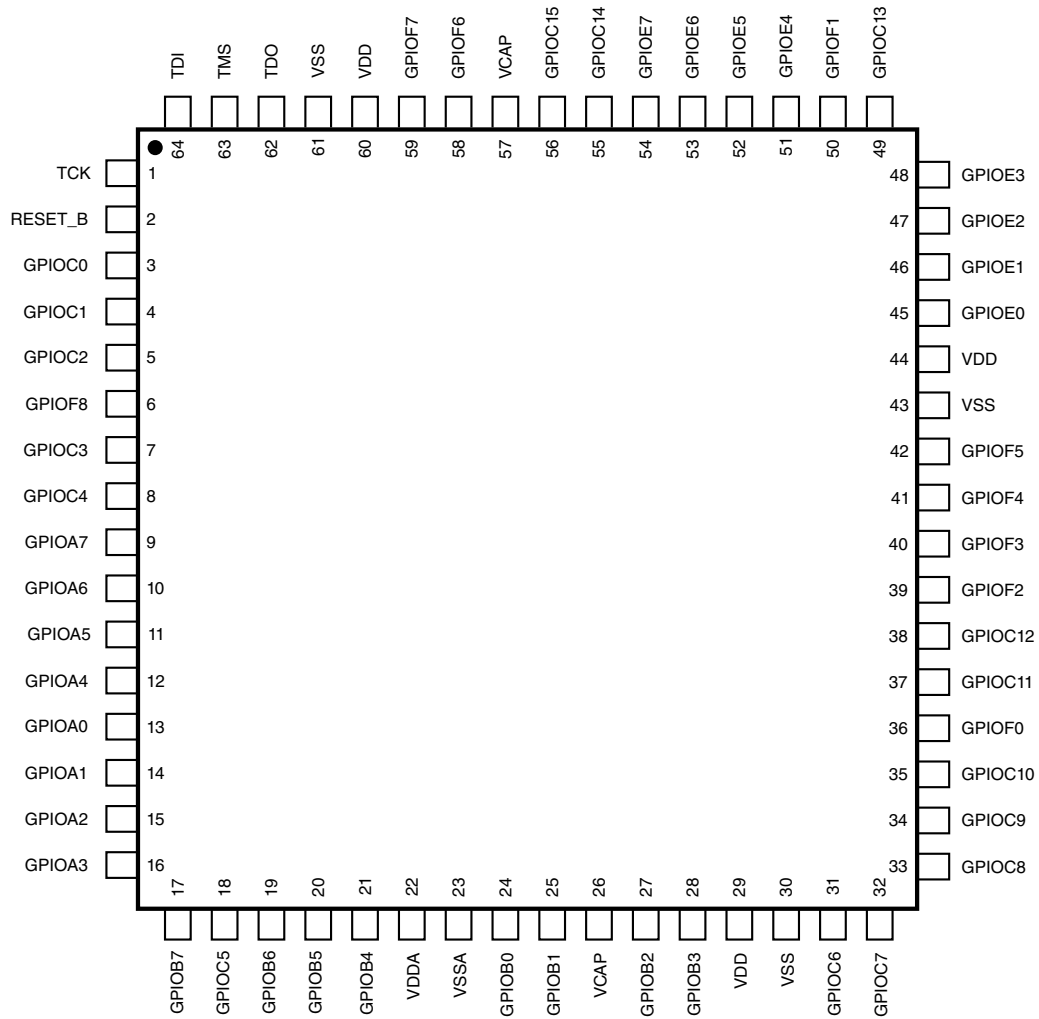


Figure 5. 64-pin LQFP

## 5 Ordering parts

## 5.1 Determining valid orderable parts

Valid orderable part numbers are provided on the web. To determine the orderable part numbers for this device, go to [nxp.com](http://nxp.com) and perform a part number search for the following device numbers: MC56F83

## 5.2 Part number list

The following table shows a part number list for this device.

**Table 4. Part numbers**

Part Number	Flash Size	Temperature	Package
MC56F83789VLL	256 KB	-40°C to 105°C	100 LQFP
MC56F83789MLL	256 KB	-40°C to 125°C	100 LQFP
MC56F83769VLL	128 KB	-40°C to 105°C	100 LQFP
MC56F83769MLL	128 KB	-40°C to 125°C	100 LQFP
MC56F83786VLK	256 KB	-40°C to 105°C	80 LQFP
MC56F83786MLK	256 KB	-40°C to 125°C	80 LQFP
MC56F83766VLK	128 KB	-40°C to 105°C	80 LQFP
MC56F83766MLK	128 KB	-40°C to 125°C	80 LQFP
MC56F83783VLH	256 KB	-40°C to 105°C	64 LQFP
MC56F83783MLH	256 KB	-40°C to 125°C	64 LQFP
MC56F83763VLH	128 KB	-40°C to 105°C	64 LQFP
MC56F83763MLH	128 KB	-40°C to 125°C	64 LQFP
MC56F83789AVLLA <sup>1</sup>	256 KB	-40°C to 105°C	100 LQFP
MC56F83789AMLLA <sup>1</sup>	256 KB	-40°C to 125°C	100 LQFP
MC56F83769AVLLA <sup>1</sup>	128 KB	-40°C to 105°C	100 LQFP
MC56F83769AMLLA <sup>1</sup>	128 KB	-40°C to 125°C	100 LQFP
MC56F83783AVLHA <sup>1</sup>	256 KB	-40°C to 105°C	64 LQFP
MC56F83783AMLHA <sup>1</sup>	256 KB	-40°C to 125°C	64 LQFP
MC56F83763AVLHA <sup>1</sup>	128 KB	-40°C to 105°C	64 LQFP
MC56F83763AMLHA <sup>1</sup>	128 KB	-40°C to 125°C	64 LQFP

1. AEC-Q100 Qualified available for MC56F837xxA

## 6 Part identification

## 6.1 Description

Part numbers for the chip have fields that identify the specific part. You can use the values of these fields to determine the specific part you have received.

## 6.2 Format

Part numbers for this device have the following format: Q 56F8 3 C F P A T PP N R

## 6.3 Fields

This table lists the possible values for each field in the part number (not all combinations are valid):

Field	Description	Values
Q	Qualification status	<ul style="list-style-type: none"> <li>MC = Fully qualified, general market flow</li> <li>PC = Prequalification</li> </ul>
56F8	DSC family with flash memory and DSP56800/DSP56800E/DSP56800EX core	<ul style="list-style-type: none"> <li>56F8</li> </ul>
3	DSC subfamily	<ul style="list-style-type: none"> <li>3</li> </ul>
C	Maximum CPU frequency (MHz)	<ul style="list-style-type: none"> <li>7 = 100 MHz</li> </ul>
F	Primary program flash memory size	<ul style="list-style-type: none"> <li>6 = 128 KB</li> <li>8 = 256 KB</li> </ul>
P	Pin count	<ul style="list-style-type: none"> <li>3 = 64</li> <li>6 = 80</li> <li>9 = 100</li> </ul>
A	Key attribute	<ul style="list-style-type: none"> <li>A = Automotive-grade</li> <li>(Blank) = Not automotive-grade</li> </ul>
T	Temperature range (°C)	<ul style="list-style-type: none"> <li>V = -40 to 105</li> <li>M = -40 to 125</li> </ul>
PP	Package identifier	<ul style="list-style-type: none"> <li>LH = 64LQFP</li> <li>LK = 80LQFP</li> <li>LL = 100LQFP</li> </ul>
N	Packaging type	<ul style="list-style-type: none"> <li>R = Tape and reel</li> <li>(Blank) = Trays</li> </ul>
R <sup>1</sup>	Mask set revision	<ul style="list-style-type: none"> <li>A = Initial</li> <li>x = Revision after main</li> </ul>

1. This digit is only applicable to MC56F83xxxA.

## 6.4 Example

This is an example part number: MC56F83789AVLLA

## 7 Terminology and guidelines

### 7.1 Definition: Operating requirement

An *operating requirement* is a specified value or range of values for a technical characteristic that you must guarantee during operation to avoid incorrect operation and possibly decreasing the useful life of the chip.

#### 7.1.1 Example

This is an example of an operating requirement:

Symbol	Description	Min.	Max.	Unit
$V_{DD}$	1.0 V core supply voltage	0.9	1.1	V

### 7.2 Definition: Operating behavior

Unless otherwise specified, an *operating behavior* is a specified value or range of values for a technical characteristic that are guaranteed during operation if you meet the operating requirements and any other specified conditions.

#### 7.2.1 Example

This is an example of an operating behavior:

Symbol	Description	Min.	Max.	Unit
$I_{WP}$	Digital I/O weak pullup/pulldown current	10	130	$\mu A$

### 7.3 Definition: Attribute

An *attribute* is a specified value or range of values for a technical characteristic that are guaranteed, regardless of whether you meet the operating requirements.

### 7.3.1 Example

This is an example of an attribute:

Symbol	Description	Min.	Max.	Unit
CIN_D	Input capacitance: digital pins	—	7	pF

## 7.4 Definition: Rating

A *rating* is a minimum or maximum value of a technical characteristic that, if exceeded, may cause permanent chip failure:

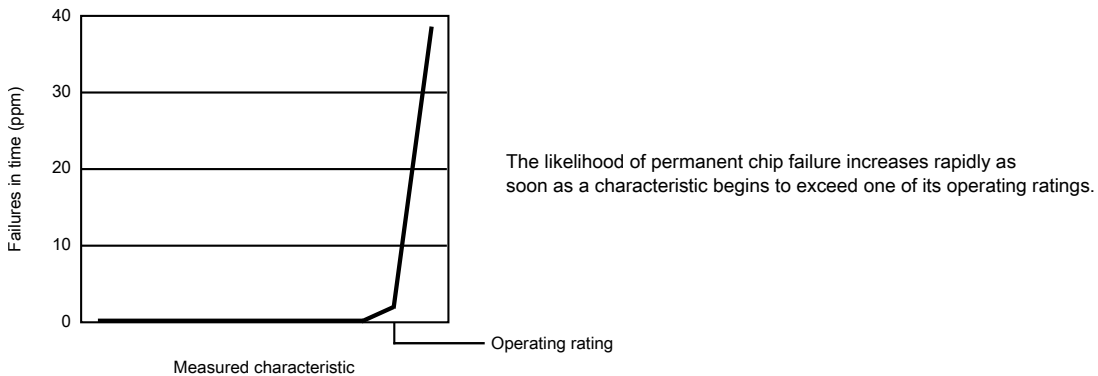
- *Operating ratings* apply during operation of the chip.
- *Handling ratings* apply when the chip is not powered.

### 7.4.1 Example

This is an example of an operating rating:

Symbol	Description	Min.	Max.	Unit
V <sub>DD</sub>	1.0 V core supply voltage	-0.3	1.2	V

## 7.5 Result of exceeding a rating





## 7.6 Relationship between ratings and operating requirements



## 7.7 Guidelines for ratings and operating requirements

Follow these guidelines for ratings and operating requirements:

- Never exceed any of the chip's ratings.
- During normal operation, don't exceed any of the chip's operating requirements.
- If you must exceed an operating requirement at times other than during normal operation (for example, during power sequencing), limit the duration as much as possible.

## 7.8 Definition: Typical value

A *typical value* is a specified value for a technical characteristic that:

- Lies within the range of values specified by the operating behavior
- Given the typical manufacturing process, is representative of that characteristic during operation when you meet the typical-value conditions or other specified conditions

Typical values are provided as design guidelines and are neither tested nor guaranteed.

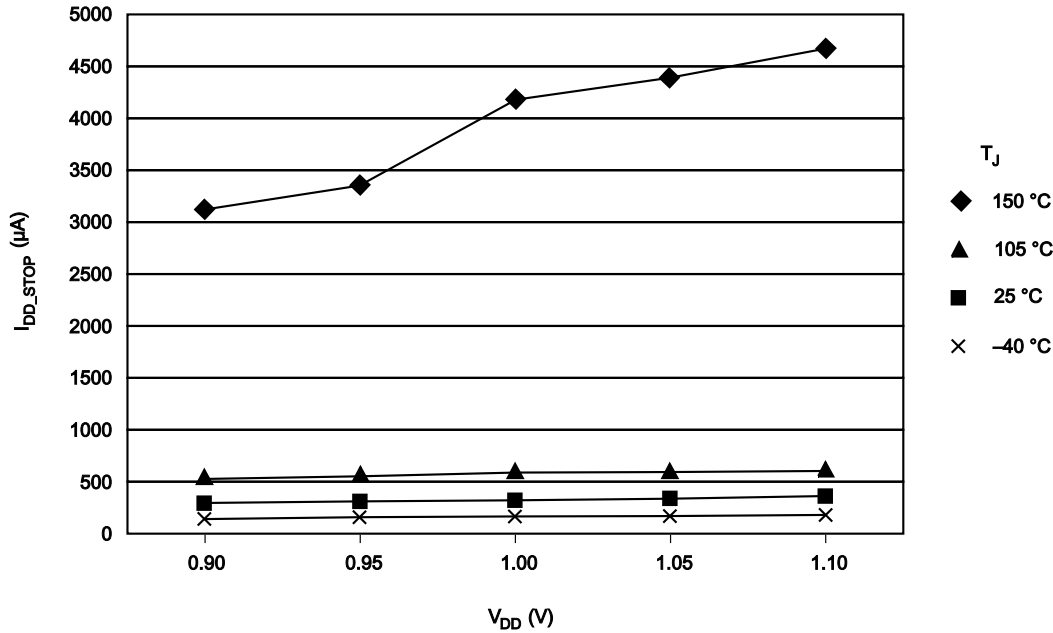
### 7.8.1 Example 1

This is an example of an operating behavior that includes a typical value:

Symbol	Description	Min.	Typ.	Max.	Unit
$I_{WP}$	Digital I/O weak pullup/pulldown current	10	70	130	$\mu\text{A}$

### 7.8.2 Example 2

This is an example of a chart that shows typical values for various voltage and temperature conditions:



## 7.9 Typical value conditions

Typical values assume you meet the following conditions (or other conditions as specified):

Symbol	Description	Value	Unit
$T_A$	Ambient temperature	25	$^{\circ}\text{C}$
$V_{DD}$	3.3 V supply voltage	3.3	V

## 8 Ratings

### 8.1 Thermal handling ratings

Symbol	Description	Min.	Max.	Unit	Notes
T <sub>STG</sub>	Storage temperature	-55	150	°C	1
T <sub>SDR</sub>	Solder temperature, lead-free	—	260	°C	2

1. Determined according to JEDEC Standard JESD22-A103, *High Temperature Storage Life*.
2. Determined according to IPC/JEDEC Standard J-STD-020, *Moisture/Reflow Sensitivity Classification for Nonhermetic Solid State Surface Mount Devices*.

### 8.2 Moisture handling ratings

Symbol	Description	Min.	Max.	Unit	Notes
MSL	Moisture sensitivity level	—	3	—	1

1. Determined according to IPC/JEDEC Standard J-STD-020, *Moisture/Reflow Sensitivity Classification for Nonhermetic Solid State Surface Mount Devices*.

### 8.3 ESD handling ratings

Although damage from electrostatic discharge (ESD) is much less common on these devices than on early CMOS circuits, use normal handling precautions to avoid exposure to static discharge. Qualification tests are performed to ensure that these devices can withstand exposure to reasonable levels of static without suffering any permanent damage.

For the automotive-grade device:

- All ESD testing is in conformity with AEC-Q100 Stress Test Qualification. During the device qualification, ESD stresses were performed for the human body model (HBM), and the charge device model (CDM).
- All latch-up testing is in conformity with AEC-Q100 Stress Test Qualification.

A device is defined as a failure if after exposure to ESD pulses, the device no longer meets the device specification. Complete DC parametric and functional testing is performed as per the applicable device specification at room temperature followed by hot temperature, unless specified otherwise in the device specification.

**Table 5. ESD/Latch-up Protection**

Characteristic <sup>1</sup>	Min	Max	Unit	Notes
ESD for Human Body Model ( $V_{HBM}$ )	-2000	+2000	V	2
ESD for Charge Device Model ( $V_{CDM}$ )	-500 -750	+500 <sup>3</sup> +750 <sup>4</sup>	V	5
Latch-up current at $T_A = 85^\circ\text{C}$ ( $I_{LAT}$ ) (V part)	-100	+100	mA	6

- Parameter is achieved by design characterization on a small sample size from typical devices under typical conditions unless otherwise noted.
- Determined according to JEDEC Standard JESD22-A114, *Electrostatic Discharge (ESD) Sensitivity Testing Human Body Model (HBM)*.
- All pins except the corner pins
- Corner pins only
- Determined according to JEDEC Standard JESD22-C101, *Field-Induced Charged-Device Model Test Method for Electrostatic-Discharge-Withstand Thresholds of Microelectronic Components*.
- Determined according to JEDEC Standard JESD78, *IC Latch-Up Test*.

## 8.4 Voltage and current operating ratings

Absolute maximum ratings are stress ratings only, and functional operation at the maxima is not guaranteed. Stress beyond the limits specified in [Table 6](#) may affect device reliability or cause permanent damage to the device.

### NOTE

If the voltage difference between VDD and VDDA or VSS and VSSA is too large, then the device can malfunction or be permanently damaged. The restrictions are:

- **At all times, it is recommended that the voltage difference of VDD - VSS be within +/-200 mV of the voltage difference of VDDA - VSSA**, including power ramp up and ramp down; see additional requirements in [Table 7](#). Failure to do this recommendation may result in a harmful leakage current through the substrate, between the VDD/VSS and VDDA/VSSA pad cells. This harmful leakage current could prevent the device from operating after power up.
- **At all times, to avoid permanent damage to the part, the voltage difference between VDD and VDDA must absolutely be limited to 0.3 V**; see [Table 6](#).
- **At all times, to avoid permanent damage to the part, the voltage difference between VSS and VSSA must absolutely be limited to 0.3 V**; see [Table 6](#).

**Table 6. Absolute Maximum Ratings ( $V_{SS} = 0\text{ V}$ ,  $V_{SSA} = 0\text{ V}$ )**

Characteristic	Symbol	Notes <sup>1</sup>	Min	Max	Unit
Supply Voltage Range	$V_{DD}$		-0.3	4.0	V
Analog Supply Voltage Range	$V_{DDA}$		-0.3	4.0	V
ADC High Voltage Reference	$V_{REFHX}$		-0.3	4.0	V
Voltage difference $V_{DD}$ to $V_{DDA}$	$\Delta V_{DD}$		-0.3	0.3	V
Voltage difference $V_{SS}$ to $V_{SSA}$	$\Delta V_{SS}$		-0.3	0.3	V
Digital Input Voltage Range	$V_{IN}$	Pin Group 1	-0.3	5.5	V
$\overline{\text{RESET}}$ Input Voltage Range	$V_{IN\_RESET}$	Pin Group 2	-0.3	4.0	V
Oscillator Input Voltage Range	$V_{OSC}$	Pin Group 4	-0.4	4.0	V
Analog Input Voltage Range	$V_{INA}$	Pin Group 3	-0.3	4.0	V
Input clamp current, per pin ( $V_{IN} < V_{SS} - 0.3\text{ V}$ ) <sup>2, 3</sup>	$I_{IC}$		—	-5.0	mA
Output clamp current, per pin <sup>4</sup>	$V_{OC}$		—	$\pm 20.0$	mA
Contiguous pin DC injection current—regional limit sum of 16 contiguous pins	$I_{ICont}$		-25	25	mA
Output Voltage Range (normal push-pull mode)	$V_{OUT}$	Pin Group 1, 2	-0.3	4.0	V
Output Voltage Range (open drain mode)	$V_{OUTOD}$	Pin Group 1	-0.3	5.5	V
$\overline{\text{RESET}}$ Output Voltage Range	$V_{OUTOD\_RESET}$	Pin Group 2	-0.3	4.0	V
DAC Output Voltage Range	$V_{OUT\_DAC}$	Pin Group 5	-0.3	4.0	V
Ambient Temperature	$T_A$	V temperature	-40	105	°C
		M temperature	-40	125	
Junction Temperature	$T_j$	V temperature	-40	125	°C
		M temperature	-40	135	
Storage Temperature Range (Extended Industrial)	$T_{STG}$		-55	150	°C

### 1. Default Mode

- Pin Group 1: GPIO, TDI, TDO, TMS, TCK
- Pin Group 2:  $\overline{\text{RESET}}$
- Pin Group 3: ADC and Comparator Analog Inputs
- Pin Group 4: XTAL, EXTAL
- Pin Group 5: DAC analog output

### 2. Continuous clamp current

3. All 5 volt tolerant digital I/O pins are internally clamped to  $V_{SS}$  through a ESD protection diode. There is no diode connection to  $V_{DD}$ . If  $V_{IN}$  greater than  $V_{DIO\_MIN}$  ( $= V_{SS} - 0.3\text{ V}$ ) is observed, then there is no need to provide current limiting resistors at the pads. If this limit cannot be observed, then a current limiting resistor is required.

4. I/O is configured as push-pull mode.

## 9 General

## 9.1 General characteristics

The device is fabricated in high-density, low-power CMOS with 5 V–tolerant TTL-compatible digital inputs, except 3.3 V for  $\overline{\text{RESET}}$ , USB\_DP/USB\_DM pins. The term “5 V–tolerant” refers to the capability of an I/O pin, built on a 3.3 V–compatible process technology, to withstand a voltage up to 5.5 V without damaging the device.

5 V–tolerant I/O is desirable because many systems have a mixture of devices designed for 3.3 V and 5 V power supplies. In such systems, a bus may carry both 3.3 V– and 5 V–compatible I/O voltage levels. This 5 V–tolerant capability therefore offers the power savings of 3.3 V I/O levels combined with the ability to receive 5 V levels without damage.

Absolute maximum ratings in the table of "Voltage and current operating ratings" section are stress ratings only, and functional operation at the maximum is not guaranteed. Stress beyond these ratings may affect device reliability or cause permanent damage to the device.

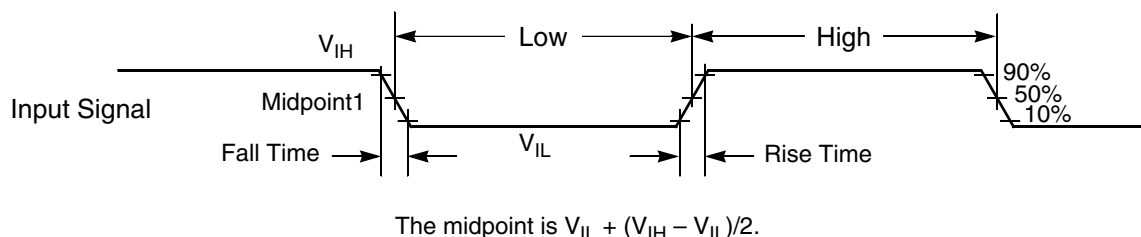
Unless otherwise stated, all specifications within this chapter apply to the temperature range specified in the table of "Voltage and current operating ratings" section over the following supply ranges:  $V_{SS} = V_{SSA} = 0 \text{ V}$ ,  $V_{DD} = V_{DDA} = 3.0 \text{ V}$  to  $3.6 \text{ V}$ ,  $CL \leq 50 \text{ pF}$ ,  $f_{OP} = 100 \text{ MHz}$ .

### CAUTION

This device contains protective circuitry to guard against damage due to high static voltage or electrical fields. However, normal precautions are advised to avoid application of any voltages higher than maximum-rated voltages to this high-impedance circuit. Reliability of operation is enhanced if unused inputs are tied to an appropriate voltage level.

## 9.2 AC electrical characteristics

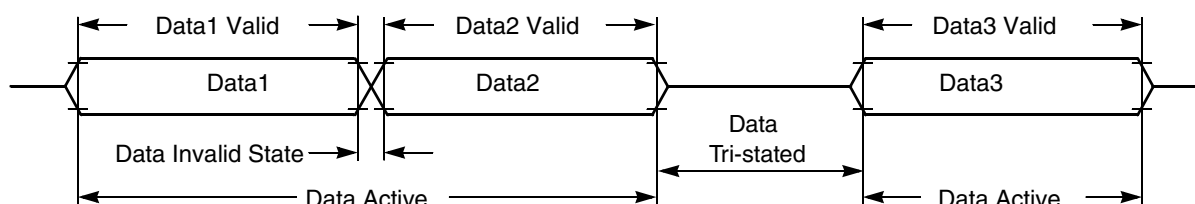
Tests are conducted using the input levels specified in the section "Voltage and current operating behaviors". Unless otherwise specified, propagation delays are measured from the 50% to the 50% point, and rise and fall times are measured between the 10% and 90% points, as shown in [Figure 6](#).



**Figure 6. Input signal measurement references**

Figure 7 shows the definitions of the following signal states:

- Active state, when a bus or signal is driven, and enters a low impedance state
- Tri-stated, when a bus or signal is placed in a high impedance state
- Data Valid state, when a signal level has reached  $V_{OL}$  or  $V_{OH}$
- Data Invalid state, when a signal level is in transition between  $V_{OL}$  and  $V_{OH}$



**Figure 7. Signal states**

## 9.3 Nonswitching electrical specifications

### 9.3.1 Voltage and current operating requirements

This section includes information about recommended operating conditions.

#### NOTE

Recommended  $V_{DD}$  ramp rate is monotonically and greater than 100  $\mu$ s.

**Table 7. Recommended Operating Conditions ( $V_{REFLx}=0V$ ,  $V_{SSA}=0V$ ,  $V_{SS}=0V$ )**

Characteristic	Symbol	Notes <sup>1</sup>	Min	Typ	Max	Unit
Supply voltage	$V_{DD}$ , $V_{DDA}$		2.7	3.3	3.6	V
ADC (Cyclic) Reference Voltage High	$V_{REFHA}$ $V_{REFHB}$				$V_{DDA}$	V
Voltage difference $V_{DD}$ to $V_{DDA}$	$\Delta V_{DD}$		-0.2	0	0.2	V
Voltage difference $V_{SS}$ to $V_{SSA}$	$\Delta V_{SS}$		-0.2	0	0.2	V
Input Voltage High (digital inputs)	$V_{IH}$	Pin Group 1	$0.7 \times V_{DD}$		5.5	V

Table continues on the next page...

**Table 7. Recommended Operating Conditions ( $V_{REFLx}=0V$ ,  $V_{SSA}=0V$ ,  $V_{SS}=0V$ ) (continued)**

Characteristic	Symbol	Notes <sup>1</sup>	Min	Typ	Max	Unit
$\overline{\text{RESET}}$ Input Voltage High	$V_{IH\_RESET}$	Pin Group 2	$0.7 \times V_{DD}$	—	$V_{DD}$	V
Input Voltage Low (digital inputs)	$V_{IL}$	Pin Groups 1, 2			$0.3 \times V_{DD}$	V
Oscillator Input Voltage High XTAL driven by an external clock source	$V_{IHOSC}$	Pin Group 4	2.0		$V_{DD} + 0.3$	V
Oscillator Input Voltage Low	$V_{ILOSC}$	Pin Group 4	-0.3		0.8	V
Output Source Current High (at $V_{OH}$ min.) • Programmed for low drive strength • Programmed for high drive strength	$I_{OH}$	Pin Group 1 Pin Group 1	— —		-2 -9	mA
Output Source Current Low (at $V_{OL}$ max.) <sup>2,3</sup> • Programmed for low drive strength • Programmed for high drive strength	$I_{OL}$	Pin Groups 1, 2 Pin Groups 1, 2	— —		2 9	mA

**1. Default Mode**

- Pin Group 1: GPIO, TDI, TDO, TMS, TCK
  - Pin Group 2: RESET
  - Pin Group 3: ADC and Comparator Analog Inputs
  - Pin Group 4: XTAL, EXTAL
  - Pin Group 5: DAC analog output
2. Total IO sink current and total IO source current are limited to 75 mA each
  3. Contiguous pin DC injection current of regional limit—including sum of negative injection currents or sum of positive injection currents of 16 contiguous pins—is 25 mA.

**9.3.2 LVD and POR operating requirements****Table 8. PMC Low-Voltage Detection (LVD) and Power-On Reset (POR) Parameters**

Characteristic	Symbol	Notes	Min	Typ	Max	Unit
POR Assert Voltage <sup>1</sup>	POR			2.0		V
POR Release Voltage <sup>2</sup>	POR			2.7		V
Low-Voltage Warning Interrupt	LVI_2p7	V Temperature		2.73 <sup>3</sup>	2.95	V
		M Temperature		2.75 <sup>3</sup>	2.98	
Low-Voltage Alarm Interrupt	LVI_2p2	V Temperature	2.02	2.21 <sup>3</sup>		V
		M Temperature	2.02	2.23 <sup>3</sup>		

1. During 3.3-volt  $V_{DD}$  power supply ramp down
2. During 3.3-volt  $V_{DD}$  power supply ramp up (gated by LVI\_2p7)
3. Value is based on the fact that the bandgap is trimmed.



### 9.3.3 Voltage and current operating behaviors

The following table provides information about power supply requirements and I/O pin characteristics.

**Table 9. DC Electrical Characteristics at Recommended Operating Conditions**

Characteristic	Symbol	Notes <sup>1</sup>	Min	Typ	Max	Unit	Test Conditions
Output Voltage High	$V_{OH}$	Pin Group 1	$V_{DD} - 0.5$	—	—	V	$I_{OH} = I_{OHmax}$
Output Voltage Low	$V_{OL}$	Pin Groups 1, 2	—	—	0.5	V	$I_{OL} = I_{OLmax}$
Digital Input Current High pull-up enabled or disabled	$I_{IH}$	Pin Group 1 Pin Group 2	—	0	+/- 2.5	$\mu A$	$V_{IN} = 2.4 V$ to $5.5 V$ $V_{IN} = 2.4 V$ to $V_{DD}$
Comparator Input Current High	$I_{IHC}$	Pin Group 3	—	0	+/- 2	$\mu A$	$V_{IN} = V_{DDA}$
Oscillator Input Current High	$I_{IHOSC}$	Pin Group 3	—	0	+/- 2	$\mu A$	$V_{IN} = V_{DDA}$
Digital Input Current Low pull-up disabled	$I_{IL}$	Pin Groups 1, 2	—	0	+/- 0.5	$\mu A$	$V_{IN} = 0V$
Internal Pull-Up Resistance	$R_{Pull-Up}$		20	—	50	k $\Omega$	—
Internal Pull-Down Resistance	$R_{Pull-Down}$		20	—	50	k $\Omega$	—
Comparator Input Current Low	$I_{ILC}$	Pin Group 3	—	0	+/- 2	$\mu A$	$V_{IN} = 0V$
Oscillator Input Current Low	$I_{ILOSC}$	Pin Group 3	—	0	+/- 2	$\mu A$	$V_{IN} = 0V$
DAC Output Voltage Range	$V_{DAC}$	Pin Group 5	Typically $V_{SSA} + 40mV$	—	Typically $V_{DDA} - 40mV$	V	$R_{LD} = 3 k\Omega$    $C_{LD} = 400 pF$
Output Current <sup>2, 3</sup> High Impedance State	$I_{OZ}$	Pin Groups 1, 2	—	0	+/- 1	$\mu A$	—
Schmitt Trigger Input Hysteresis	$V_{HYS}$	Pin Groups 1, 2	$0.06 \times V_{DD}$	—	—	V	—

#### 1. Default Mode

- Pin Group 1: GPIO, TDI, TDO, TMS, TCK
- Pin Group 2:  $\overline{RESET}$
- Pin Group 3: ADC and Comparator Analog Inputs
- Pin Group 4: XTAL, EXTAL
- Pin Group 5: DAC

2. See the following figure " $I_{IN}/I_{OZ}$  vs.  $V_{IN}$  (typical; pull-up & pull-down disabled) (design simulation)".

3. To minimize the excessive leakage ( $> 1 \mu A$ ) current from digital pin, input signal should **NOT** stay between  $1.1 V$  and  $0.9 \times V_{DD}$  for prolonged time.

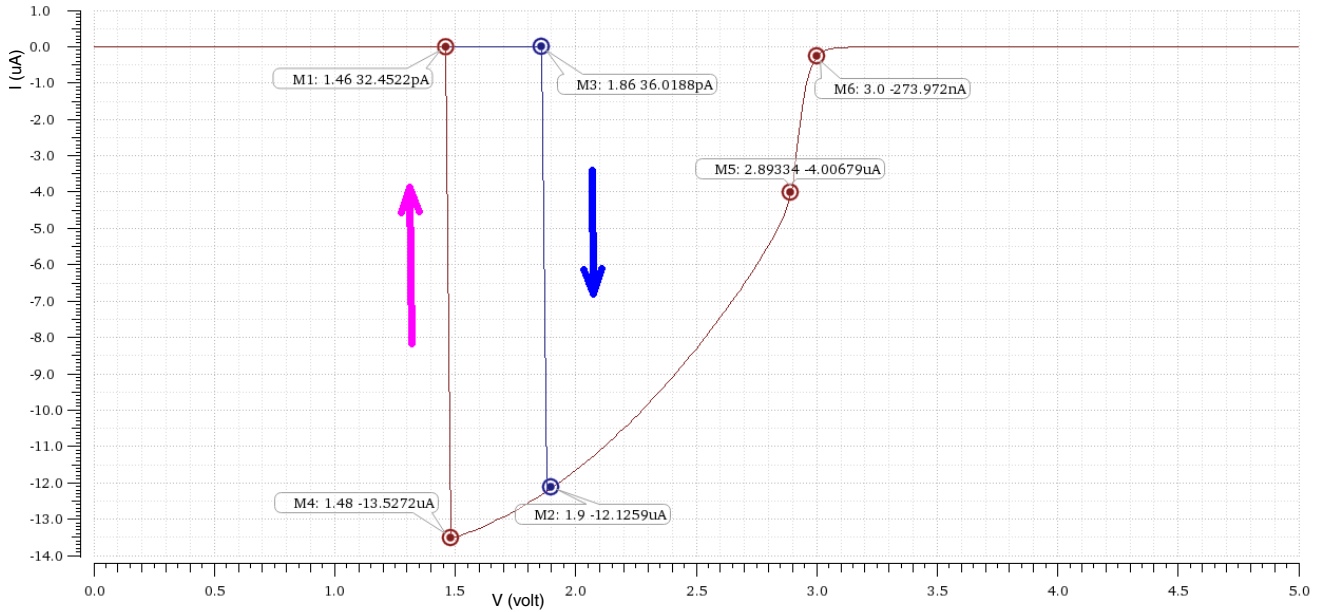


Figure 8.  $I_{IN}/I_{OZ}$  vs.  $V_{IN}$  (typical; pull-up & pull-down disabled) (design simulation)

### 9.3.4 Power mode transition operating behaviors

Parameters listed are guaranteed by design.

#### NOTE

All address and data buses described here are internal.

Table 10. Reset, stop, wait, and interrupt timing

Characteristic	Symbol	Typical Min	Typical Max	Unit	See Figure
Minimum $\overline{\text{RESET}}$ Assertion Duration	$t_{\text{RA}}$	16 <sup>1</sup>	—	ns	—
$\overline{\text{RESET}}$ deassertion to First Address Fetch	$t_{\text{RDA}}$	$865 \times T_{\text{OSC}} + 8 \times T$		ns	—
Delay from Interrupt Assertion to Fetch of first instruction (exiting Stop)	$t_{\text{IF}}$	361.3	570.9	ns	—

1. If the  $\overline{\text{RESET}}$  pin filter is enabled by setting the RST\_FLT bit in the SIM\_CTRL register to 1, the minimum pulse assertion must be greater than 21 ns. Recommended a capacitor of up to 0.1  $\mu\text{F}$  on  $\overline{\text{RESET}}$ .

#### NOTE

In Table 10,  $T$  = system clock cycle and  $T_{\text{OSC}}$  = oscillator clock cycle. For an operating frequency of 100MHz,  $T=10$  ns. At 4 MHz (used coming out of reset and stop modes),  $T=250$  ns.

**Table 11. Power mode transition behavior**

Symbol	Description	Typical	Max	Unit	Notes <sup>1</sup>
T <sub>POR</sub>	After a POR event, the amount of delay from when V <sub>DD</sub> reaches 2.7 V to when the first instruction executes (over the operating temperature range).	430	495	µs	
	STOP mode to RUN mode	8.61	9.90	µs	2
	LPS mode to LPRUN mode	358	411	µs	3
	VLPS mode to VLPRUN mode	1090	1254	µs	4
	WAIT mode to RUN mode	0.347	0.399	µs	5
	LPWAIT mode to LPRUN mode	351	404	µs	3
	VLPWAIT mode to VLPRUN mode	1070	1231	µs	4

1. Wakeup times are measured from GPIO toggle for wakeup till GPIO toggle at the wakeup interrupt subroutine from respective stop/wait mode.
2. Clock configuration: CPU clock=4 MHz. System clock source is from 48 MHz/6 in normal mode.
3. CPU clock = 100 kHz . Exit by an interrupt on PORTA GPIO.
4. Using 64 kHz external clock; CPU Clock = 32 kHz. Exit by an interrupt on PORTA GPIO.
5. Clock configuration: CPU and system clocks= 100 MHz. Bus Clock = 100 MHz. Exit by interrupt on PORTA GPIO

### 9.3.5 Power consumption operating behaviors

**Table 12. Current Consumption (mA)**

Mode	Maximum Frequency	Conditions <sup>1</sup>	Typical at 3.3 V, 25 °C		Maximum at 3.6 V, 105 °C		Maximum at 3.6 V, 125 °C	
			I <sub>DD</sub> <sup>1</sup>	I <sub>D</sub> DA	I <sub>DD</sub> <sup>1</sup>	I <sub>D</sub> DA	I <sub>DD</sub> <sup>1</sup>	I <sub>D</sub> DA
RUN	100 MHz	<ul style="list-style-type: none"> <li>• 100 MHz Core and Peripheral clock</li> <li>• Regulators are in full regulation</li> <li>• Internal Oscillator on</li> <li>• PLL powered on</li> <li>• Continuous MAC instructions with fetches from Program Flash</li> <li>• All peripheral modules enabled.</li> <li>• NanoEdge within eFlexPWM using 2x peripheral clock</li> <li>• ADC/DAC (two 12-bit DACs and all 8-bit DACs) powered on and clocked</li> <li>• Comparator powered on</li> </ul>	46.7	11.3	65.6	14.0	66.3	14.1
WAIT	100 MHz	<ul style="list-style-type: none"> <li>• 100 MHz Core and Peripheral clock</li> <li>• Regulators are in full regulation</li> <li>• Internal Oscillator on</li> <li>• PLL powered on</li> <li>• Processor Core in WAIT state</li> <li>• All Peripheral modules enabled.</li> <li>• NanoEdge within eFlexPWM using 2x peripheral clock</li> <li>• ADC/DAC/Comparator powered off</li> </ul>	21.8	—	37.5	—	37.9	—
STOP	4 MHz	<ul style="list-style-type: none"> <li>• 4 MHz Core and Peripheral clock</li> <li>• Regulators are in full regulation</li> </ul>	5.2	—	20.0	—	20.2	—

Table continues on the next page...

Table 12. Current Consumption (mA) (continued)

Mode	Maximum Frequency	Conditions <sup>1</sup>	Typical at 3.3 V, 25 °C		Maximum at 3.6 V, 105 °C		Maximum at 3.6 V, 125 °C	
			I <sub>DD</sub> <sup>1</sup>	I <sub>DDA</sub>	I <sub>DD</sub> <sup>1</sup>	I <sub>DDA</sub>	I <sub>DD</sub> <sup>1</sup>	I <sub>DDA</sub>
		<ul style="list-style-type: none"> <li>Internal Oscillator on</li> <li>PLL powered off</li> <li>Processor Core in STOP state</li> <li>All peripheral module and core clocks are off</li> <li>ADC/DAC/Comparator powered off</li> </ul>						
LPRUN	2 MHz	<ul style="list-style-type: none"> <li>100 kHz Core and Peripheral clock from Relaxation Oscillator's (ROSC) low speed clock</li> <li>48 MHz Internal Oscillator disabled</li> <li>Regulators are in standby</li> <li>PLL disabled</li> <li>Repeat NOP instructions</li> <li>All peripheral modules enabled, except NanoEdge and cyclic ADCs. Two 12-bit DACs and all 8-bit DACs enabled.</li> <li>Simple loop with running from platform instruction buffer</li> </ul>	1.1	2.6	15.0	7.0	15.2	7.1
LPWAIT	2 MHz	<ul style="list-style-type: none"> <li>100 kHz Core and Peripheral clock from Relaxation Oscillator's (ROSC) low speed clock</li> <li>48 MHz Internal Oscillator disabled</li> <li>Regulators are in standby</li> <li>PLL disabled</li> <li>All peripheral modules enabled, except NanoEdge and cyclic ADCs. Two 12-bit DACs and all 8-bit DACs enabled.</li> <li>Processor core in wait mode</li> </ul>	1.1	2.6	15.0	7.0	15.2	7.1
LPSTOP	2 MHz	<ul style="list-style-type: none"> <li>100 kHz Core and Peripheral clock from Relaxation Oscillator's (ROSC) low speed clock</li> <li>48 MHz Internal Oscillator disabled</li> <li>Regulators are in standby</li> <li>PLL disabled</li> <li>Only PITs and COP enabled; other peripheral modules disabled and clocks gated off</li> <li>Processor core in stop mode</li> </ul>	1.0	—	14.0	—	14.2	—
VLPRUN	200 kHz	<ul style="list-style-type: none"> <li>32 kHz Core and Peripheral clock from a 64 kHz external clock source</li> <li>Oscillator in power down</li> <li>All ROSCs disabled</li> <li>Large regulator is in standby</li> <li>Small regulator is disabled</li> <li>PLL disabled</li> <li>Repeat NOP instructions</li> <li>All peripheral modules, except COP and EWM, disabled and clocks gated off</li> <li>Simple loop running from platform instruction buffer</li> </ul>	0.6	—	12.0	—	12.2	—
VLPWAIT	200 kHz	<ul style="list-style-type: none"> <li>32 kHz Core and Peripheral clock from a 64 kHz external clock source</li> <li>Oscillator in power down</li> <li>All ROSCs disabled</li> <li>Large regulator is in standby</li> <li>Small regulator is disabled</li> </ul>	0.6	—	12.0	—	12.2	—

Table continues on the next page...

**Table 12. Current Consumption (mA) (continued)**

Mode	Maximum Frequency	Conditions <sup>1</sup>	Typical at 3.3 V, 25 °C		Maximum at 3.6 V, 105 °C		Maximum at 3.6 V, 125 °C	
			I <sub>DD</sub> <sup>1</sup>	I <sub>DDA</sub>	I <sub>DD</sub> <sup>1</sup>	I <sub>DDA</sub>	I <sub>DD</sub> <sup>1</sup>	I <sub>DDA</sub>
		<ul style="list-style-type: none"> <li>• PLL disabled</li> <li>• All peripheral modules, except COP, disabled and clocks gated off</li> <li>• Processor core in wait mode</li> </ul>						
VLPSTOP	200 kHz	<ul style="list-style-type: none"> <li>• 32 kHz Core and Peripheral clock from a 64 kHz external clock source</li> <li>• Oscillator in power down</li> <li>• All ROSCs disabled</li> <li>• Large regulator is in standby.</li> <li>• Small regulator is disabled.</li> <li>• PLL disabled</li> <li>• All peripheral modules, except COP, disabled and clocks gated off</li> <li>• Processor core in stop mode</li> </ul>	0.6	—	12.0	—	12.2	—

1. No output switching, all ports configured as inputs, all inputs low, no DC loads.

### 9.3.6 Designing with radiated emissions in mind

To find application notes that provide guidance on designing your system to minimize interference from radiated emissions:

1. Go to [www.nxp.com](http://www.nxp.com).
2. Perform a keyword search for “EMC design.”

### 9.3.7 Capacitance attributes

**Table 13. Capacitance attributes**

Description	Symbol	Min.	Typ.	Max.	Unit
Input capacitance	C <sub>IN</sub>	—	10	—	pF
Output capacitance	C <sub>OUT</sub>	—	10	—	pF

## 9.4 Switching specifications

## 9.4.1 Device clock specifications

Table 14. Device clock specifications

Symbol	Description	Min.	Max.	Unit	Notes
Normal run mode					
$f_{\text{SYSCLK}}$	Device (system and core) clock frequency <ul style="list-style-type: none"> <li>• using relaxation oscillator</li> <li>• using external clock source</li> </ul>	0.001 0	100 100	MHz	
$f_{\text{BUS}}$	Bus clock	—	100	MHz	

## 9.4.2 General switching timing

Table 15. Switching timing

Symbol	Description	Min	Max	Unit	Notes
	GPIO pin interrupt pulse width <sup>1</sup> Synchronous path	1.5		IP Bus Clock Cycles	2
	Port rise and fall time (high drive strength), slew disabled, $2.7V \leq V_{\text{DD}} \leq 3.6V$	5.5	15.1	ns	3
	Port rise and fall time (high drive strength), slew enabled, $2.7V \leq V_{\text{DD}} \leq 3.6V$	1.5	6.8	ns	4
	Port rise and fall time (low drive strength), slew disabled, $2.7V \leq V_{\text{DD}} \leq 3.6V$	8.2	17.8	ns	3
	Port rise and fall time (low drive strength), slew enabled, $2.7V \leq V_{\text{DD}} \leq 3.6V$	3.2	9.2	ns	4

1. Applies to a pin only when it is configured as GPIO and configured to cause an interrupt by appropriately programming GPIO<sub>n</sub>\_IPOLR and GPIO<sub>n</sub>\_IENR.
2. The greater synchronous and asynchronous timing must be met.
3. 75 pF load
4. 15 pF load

## 9.5 Thermal specifications

### 9.5.1 Thermal operating requirements

Table 16. Thermal operating requirements

Symbol	Description	Grade	Min	Max	Unit
$T_{\text{J}}$	Die junction temperature	V	−40	125	°C
		M	−40	135	°C
$T_{\text{A}}$	Ambient temperature	V	−40	105	°C
		M	−40	125	°C

## 9.5.2 Thermal attributes

This section provides information about operating temperature range, power dissipation, and package thermal resistance. Power dissipation on I/O pins is usually small compared to the power dissipation in on-chip logic and voltage regulator circuits, and it is user-determined rather than being controlled by the MCU design. To account for  $P_{I/O}$  in power calculations, determine the difference between actual pin voltage and  $V_{SS}$  or  $V_{DD}$  and multiply by the pin current for each I/O pin. Except in cases of unusually high pin current (heavy loads), the difference between pin voltage and  $V_{SS}$  or  $V_{DD}$  is very small.

See [Thermal design considerations](#) for more detail on thermal design considerations.

Board type <sup>1</sup>	Symbol	Description	64 LQFP	80 LQFP	100 LQFP	Unit	Notes
Four-layer (2s2p)	$R_{\theta JA}$	Thermal resistance, junction to ambient (natural convection)	44	42	46	°C/W	2
Single-layer (1s)	$R_{\theta JC}$	Thermal resistance, junction to case	14	13	16	°C/W	2
—	$\Psi_{JT}$	Thermal characterization parameter, junction to package top outside center (natural convection)	1.2	1.0	1.4	°C/W	

1. Thermal test board meets JEDEC specification for this package (JESD51-9).
2. Determined in accordance to JEDEC JESD51-2A natural convection environment. Thermal resistance data in this report is solely for a thermal performance comparison of one package to another in a standardized specified environment. It is not meant to predict the performance of a package in an application-specific environment.

# 10 Peripheral operating requirements and behaviors

## 10.1 Core modules

### 10.1.1 JTAG timing

Table 17. JTAG timing

Characteristic	Symbol	Min	Max	Unit	See Figure
TCK frequency of operation	$f_{OP}$	DC	SYS_CLK/16	MHz	Figure 9
TCK clock pulse width	$t_{PW}$	50	—	ns	Figure 9
TMS, TDI data set-up time	$t_{DS}$	5	—	ns	Figure 10
TMS, TDI data hold time	$t_{DH}$	5	—	ns	Figure 10
TCK low to TDO data valid	$t_{DV}$	—	30	ns	Figure 10
TCK low to TDO tri-state	$t_{TS}$	—	30	ns	Figure 10

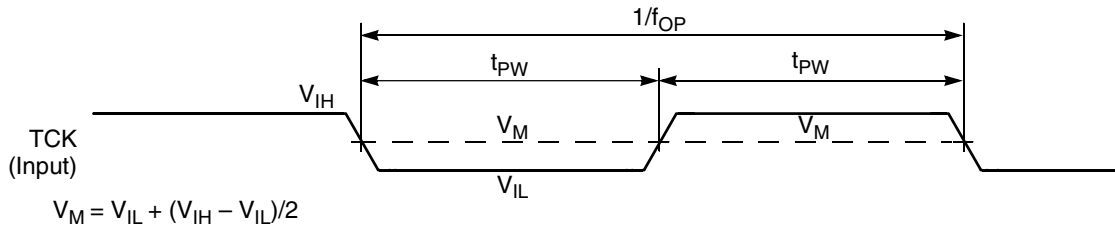


Figure 9. Test clock input timing diagram

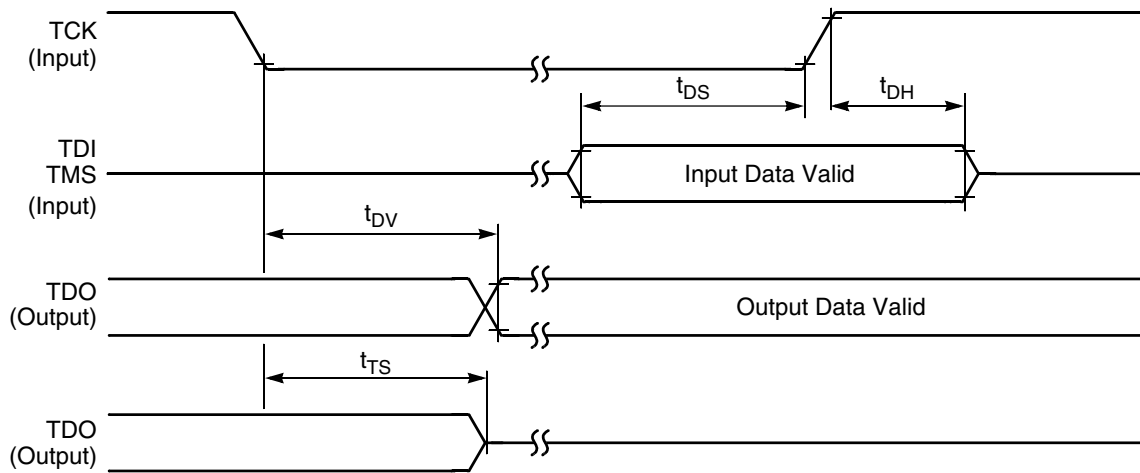


Figure 10. Test access port timing diagram

## 10.2 System modules

### 10.2.1 Voltage regulator specifications

The voltage regulator supplies approximately 1.2 V to the device's core logic. For proper operations, the voltage regulator requires a minimum external 2.2  $\mu$ F capacitor on each  $V_{CAP}$  pin with total capacitors on all  $V_{CAP}$  pins at a minimum of 4.4  $\mu$ F. Ceramic and



tantalum capacitors tend to provide better performance tolerances. The output voltage can be measured directly on the  $V_{CAP}$  pin. The specifications for this regulator are shown in Table 18.

**Table 18. Regulator 1.2 V parameters**

Characteristic	Symbol	Notes	Min	Typ	Max	Unit
Output Voltage <sup>1</sup>	$V_{CAP}$	V Temperature	1.08	1.22	1.32	V
		M Temperature		1.24		
Short Circuit Current <sup>2</sup>	$I_{SS}$		—	600	—	mA
Short Circuit Tolerance ( $V_{CAP}$ shorted to ground)	$T_{RSC}$		—	—	1	minute

1. Value is after trim
2. Guaranteed by design

**Table 19. Bandgap electrical specifications**

Characteristic	Symbol	Notes	Min	Typ	Max	Unit
Reference Voltage (after trim)	$V_{REF}$	V Temperature	—	1.22 <sup>1</sup>	—	V
		M Temperature		1.24 <sup>1</sup>		

1. Typical value is trimmed at 25°C. There could be  $\pm 50$  mV variation due to temperature change.

## 10.3 Clock modules

### 10.3.1 External clock operation timing

Parameters listed are guaranteed by design.

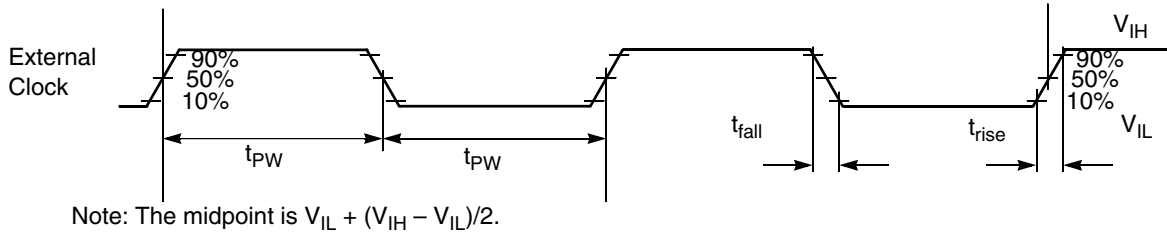
**Table 20. External clock operation timing requirements**

Characteristic	Symbol	Min	Typ	Max	Unit
Frequency of operation (external clock driver) <sup>1</sup>	$f_{osc}$	—	—	50	MHz
Clock pulse width <sup>2</sup>	$t_{PW}$	8			ns
External clock input rise time <sup>3</sup>	$t_{rise}$	—	—	1	ns
External clock input fall time <sup>4</sup>	$t_{fall}$	—	—	1	ns
Input high voltage overdrive by an external clock	$V_{ih}$	$0.7 \times V_{DD}$	—	—	V
Input low voltage overdrive by an external clock	$V_{il}$	—	—	$0.3 \times V_{DD}$	V

1. See the "External clock timing" figure for details on using the recommended connection of an external clock driver.
2. The chip may not function if the high or low pulse width is smaller than 6.25 ns.
3. External clock input rise time is measured from 10% to 90%.

## System modules

- External clock input fall time is measured from 90% to 10%.



**Figure 11. External clock timing**

## 10.3.2 Phase-Locked Loop timing

**Table 21. Phase-Locked Loop timing**

Characteristic	Symbol	Min	Typ	Max	Unit
PLL input reference frequency <sup>1</sup>	$f_{ref}$	8	8	16	MHz
PLL output frequency <sup>2</sup>	$f_{op}$	150	—	450	MHz
PLL lock time <sup>3</sup>	$t_{pils}$	—	—	81	$\mu$ s
Allowed Duty Cycle of input reference	$t_{dc}$	40	50	60	%

- An externally supplied reference clock should be as free as possible from any phase jitter for the PLL to work correctly. The PLL is optimized for 8 MHz input.
- The frequency of the core system clock cannot exceed 100 MHz. If the NanoEdge PWM is available, the PLL output must be set to 400 MHz.
- This is the time required *after the PLL is enabled* to ensure reliable operation.

## 10.3.3 External crystal or resonator requirement

**Table 22. Crystal or resonator requirement**

Characteristic	Symbol	Min	Typ	Max	Unit
Frequency of operation	$f_{XOSC}$	4	8	16	MHz

## 10.3.4 200 kHz RC Oscillator Timing

**Table 23. 200 kHz RC Oscillator Electrical Specifications**

Characteristic		Symbol	Min	Typ	Max	Unit
200 kHz Output Frequency <sup>1</sup>						
	$T_A$ : -40°C to 105°C		193	200	206	kHz
	$T_A$ : -40°C to 125°C		192	200	208	kHz
Stabilization Time	200 kHz output	$t_{stab}$		10		$\mu$ s
Output Duty Cycle			48	50	52	%

1. Frequency after factory trim

## 10.3.5 IRC48M specifications

Table 24. IRC48M specifications

Symbol	Description	Min.	Typ.	Max.	Unit	Notes
$V_{DD}$	Supply voltage	2.7	—	3.6	V	
$I_{DD48M}$	Supply current	—	400	500	$\mu$ A	
$f_{irc48m}$	Internal reference frequency	—	48	—	MHz	
$\Delta f_{irc48m\_ol\_hv}$	Open loop total deviation of IRC48M frequency over temperature <ul style="list-style-type: none"> <li>• Regulator enable (USB_CLK_RECOVER_IRC_EN[REG_EN]=1)</li> </ul>	—	$\pm 0.5$	$\pm 1.0$	$\%f_{irc48m}$	
$\Delta f_{irc48m\_cl}$	Closed loop total deviation of IRC48M frequency over voltage and temperature	—	—	$\pm 0.1$	$\%f_{host}$	1
$J_{cyc\_irc48m}$	Period Jitter (RMS)	—	35	150	ps	
$t_{irc48mst}$	Startup time	—	2	3	$\mu$ s	2

1. Closed loop operation of the IRC48M is only feasible for USB device operation; it is not usable for USB host operation. It is enabled by configuring for USB Device, selecting IRC48M as USB clock source, and enabling the clock recover function (USB\_CLK\_RECOVER\_CTRL[CLOCK\_RECOVER\_EN]=1, USB\_CLK\_RECOVER\_IRC\_EN[IRC\_EN]=1). Only applicable to devices/packages that contain USB.
2. IRC48M startup time is defined as the time between clock enablement and clock availability for system use. Enable the clock by setting:
  - USB\_CLK\_RECOVER\_IRC\_EN[IRC\_EN]=1

## 10.4 Memories and memory interfaces

### 10.4.1 Flash (FTFE) electrical specifications

This section describes the electrical characteristics of the FTFE module.

#### 10.4.1.1 Flash timing specifications — program and erase

The following specifications represent the amount of time the internal charge pumps are active and do not include command overhead.

Table 25. NVM program/erase timing specifications

Symbol	Description	Min.	Typ.	Max.	Unit	Notes
$t_{hvp gm8}$	Program Phrase high-voltage time	—	7.5	18	$\mu$ s	
$t_{hversscr}$	Erase Flash Sector high-voltage time	—	13	113	ms	1
$t_{hversblk128k}$	Erase Flash Block high-voltage time for 128 KB	—	104	904	ms	1

## System modules

1. Maximum time based on expectations at cycling end-of-life.

### 10.4.1.2 Flash timing specifications — commands

Table 26. Flash command timing specifications

Symbol	Description	Min.	Typ.	Max.	Unit	Notes
$t_{rd1blk128k}$	Read 1s Block execution time • 128 KB program flash	—	—	1.0	ms	
$t_{rd1sec2k}$	Read 1s Section execution time (2 KB flash)	—	—	75	$\mu$ s	1
$t_{pgmchk}$	Program Check execution time	—	—	95	$\mu$ s	1
$t_{rdsrc}$	Read Resource execution time	—	—	40	$\mu$ s	1
$t_{pgm8}$	Program Phrase execution time	—	90	150	$\mu$ s	
$t_{ersblk128k}$	Erase Flash Block execution time • 128 KB program flash	—	110	925	ms	2
$t_{ersscr}$	Erase Flash Sector execution time	—	15	115	ms	2
$t_{rd1all}$	Read 1s All Blocks execution time	—	—	2.6	ms	
$t_{rdonce}$	Read Once execution time	—	—	30	$\mu$ s	1
$t_{pgmonce}$	Program Once execution time	—	90	—	$\mu$ s	
$t_{ersall}$	Erase All Blocks execution time	—	225	1850	ms	2
$t_{vfykey}$	Verify Backdoor Access Key execution time	—	—	30	$\mu$ s	1
$t_{ersallu}$	Erase All Blocks Unsecure execution time	—	225	1850	ms	2
$t_{swapx01}$	Swap Control execution time • control code 0x01	—	200	—	$\mu$ s	
$t_{swapx02}$	• control code 0x02	—	90	150	$\mu$ s	
$t_{swapx04}$	• control code 0x04	—	90	150	$\mu$ s	
$t_{swapx08}$	• control code 0x08	—	—	30	$\mu$ s	

1. Assumes 25MHz or greater flash clock frequency.
2. Maximum times for erase parameters based on expectations at cycling end-of-life.

### 10.4.1.3 Flash high voltage current behaviors

Table 27. Flash high voltage current behaviors

Symbol	Description	Min.	Typ.	Max.	Unit
$I_{DD\_PGM}$	Average current adder during high voltage flash programming operation	—	3.5	7.5	mA
$I_{DD\_ERS}$	Average current adder during high voltage flash erase operation	—	1.5	4.0	mA

### 10.4.1.4 Reliability specifications (Industrial)

Table 28. NVM reliability specifications

Symbol	Description	Min.	Typ. <sup>1</sup>	Max.	Unit	Notes
Program Flash						
$t_{\text{nv mretp10k}}$	Data retention after up to 10 K cycles	5	50	—	years	
$t_{\text{nv mretp1k}}$	Data retention after up to 1 K cycles	20	100	—	years	
$n_{\text{nv mcycp}}$	Cycling endurance	10 K	50 K	—	cycles	2
$n_{\text{nv mcycp}}$	Cycling endurance	1 K	—	—	cycles	3

1. Typical data retention values are based on measured response accelerated at high temperature and derated to a constant 25 °C use profile. Engineering Bulletin EB618 does not apply to this technology. Typical endurance defined in Engineering Bulletin EB619.
2. Cycling endurance represents number of program/erase cycles at  $-40\text{ °C} \leq T_j \leq 125\text{ °C}$ .
3. Cycling endurance represents number of program/erase cycles at  $-40\text{ °C} \leq T_j \leq 135\text{ °C}$ . If the product application is exposed to  $T_j > 125\text{ °C}$ , the reduced W/E spec applies independent of the number of W/E cycles in the high  $T_j$  band.

### 10.4.1.5 Reliability specifications (Automotive)

Table 29. NVM reliability specifications

Symbol	Description	Min.	Typ.	Max.	Unit	Notes
Program Flash						
$t_{\text{nv mretp1k}}$	Data retention after up to 1 K cycles	20	—	—	years	1
$n_{\text{nv mcyc}}$	Cycling endurance	1 K	—	—	cycles	2

1. Data retention period per block begins upon initial user factory programming or after each subsequent erase.
2. Program and Erase are supported across product temperature specification. Cycling endurance is per flash sector.

## 10.5 Analog

### 10.5.1 12-bit Cyclic Analog-to-Digital Converter (ADC) Parameters

Table 30. 12-bit ADC Electrical Specifications

Characteristic	Symbol	Min	Typ	Max	Unit
<b>Recommended Operating Conditions</b>					
Supply Voltage <sup>1</sup>	VDDA	3	3.3	3.6	V
VREFH (in external reference mode)	Vrefhx	VDDA-0.6		VDDA	V
ADC Conversion Clock <sup>2</sup>	$f_{\text{ADCCLK}}$	0.6		25	MHz
Conversion Range <sup>3</sup>	$R_{\text{AD}}$			$V_{\text{REFH}} - V_{\text{REFL}}$	V
Fully Differential		$-(V_{\text{REFH}} - V_{\text{REFL}})$		$V_{\text{REFH}}$	
Single Ended/Unipolar		$V_{\text{REFL}}$			
Input Voltage Range (per input) <sup>4</sup>	$V_{\text{ADIN}}$	$V_{\text{REFL}}$		$V_{\text{REFH}}$	V

Table continues on the next page...

**Table 30. 12-bit ADC Electrical Specifications (continued)**

Characteristic	Symbol	Min	Typ	Max	Unit
External Reference		$V_{SSA}$		$V_{DDA}$	
Internal Reference					
<b>Timing and Power</b>					
Conversion Time <sup>5</sup>	$t_{ADC}$		8		ADC Clock Cycles
ADC Power-Up Time (from adc_pdn)	$t_{ADPU}$		60		ADC Clock Cycles
ADC RUN Current (per ADC block)	$I_{ADRUN}$		2.45		mA
ADC Powerdown Current (adc_pdn enabled)	$I_{ADPWRDWN}$		0.1		$\mu$ A
$V_{REFH}$ Current (in external mode)	$I_{VREFH}$		190	225	$\mu$ A
<b>Accuracy (DC or Absolute)</b>					
Integral non-Linearity <sup>6</sup>	INL		$\pm 1.5$	$\pm 2.2$	LSB <sup>7</sup>
Differential non-Linearity <sup>6</sup>	DNL		$\pm 0.6$	$\pm 0.8$	LSB <sup>7</sup>
Monotonicity		GUARANTEED			
Offset <sup>8</sup>	$V_{OFFSET}$		$\pm 5$		mV
Fully Differential			$\pm 5$		
Single Ended/Unipolar					
Gain Error	$E_{GAIN}$		0.996 to 1.004	0.990 to 1.010	
<b>AC Specifications<sup>9</sup></b>					
Signal to Noise Ratio	SNR		68		dB
Total Harmonic Distortion	THD		71		dB
Spurious Free Dynamic Range	SFDR		72		dB
Signal to Noise plus Distortion	SINAD		66		dB
Effective Number of Bits	ENOB		—		bits
Gain = 1x (Fully Differential)			10.7		
Gain = 2x (Fully Differential)			10.3		
Gain = 4x (Fully Differential)			9.9		
Gain = 1x (Single Ended/Unipolar)			10.2		
Gain = 2x (Single Ended/Unipolar)			10.0		
Gain = 4x (Single Ended/Unipolar)			9.7		
Variation across channels <sup>10</sup>			0.1		
<b>ADC Inputs</b>					
Input Leakage Current	$I_{IN}$		1		nA
Temperature sensor slope	$T_{SLOPE}$		-2.96		mV/ $^{\circ}$ C
Temperature sensor voltage at 25 $^{\circ}$ C	$V_{TEMP25}$		1.59		V
<b>Disturbance</b>					
Input Injection Current <sup>11</sup>	$I_{INJ}$			$\pm 3$	mA
Channel to Channel Crosstalk <sup>12</sup>	ISOXTLK		-82		dB

Table continues on the next page...

**Table 30. 12-bit ADC Electrical Specifications (continued)**

Characteristic	Symbol	Min	Typ	Max	Unit
Memory Crosstalk <sup>13</sup>	MEMXTLK		-71		dB
Input Capacitance	$C_{ADI}$				pF
Sampling Capacitor			1.2		
• 1x mode			2.4		
• 2x mode			4.8		
• 4x mode					

- The ADC functions up to  $V_{DDA} = 2.7$  V. When  $V_{DDA}$  is below 3.0 V, ADC specifications are not guaranteed
- ADC clock duty cycle is 45% ~ 55%
- Conversion range is defined for x1 gain setting. For x2 and x4 the range is 1/2 and 1/4, respectively.
- In unipolar mode, positive input must be ensured to be always greater than negative input.
- First conversion takes 10 clock cycles.
- INL/DNL is measured from  $V_{IN} = V_{REFL}$  to  $V_{IN} = V_{REFH}$  using Histogram method at x1 gain setting
- Least Significant Bit = 0.806 mV at 3.3 V  $V_{DDA}$ , x1 gain Setting
- Offset measured at 2048 code
- Measured converting a 1 kHz input full scale sine wave; the measurement mode is Gain = 1x (Fully Differential).
- When code runs from internal RAM
- The current that can be injected into or sourced from an unselected ADC input without affecting the performance of the ADC
- Any off-channel with 50 kHz full-scale input to the channel being sampled with DC input (isolation crosstalk)
- From a previously sampled channel with 50 kHz full-scale input to the channel being sampled with DC input (memory crosstalk).

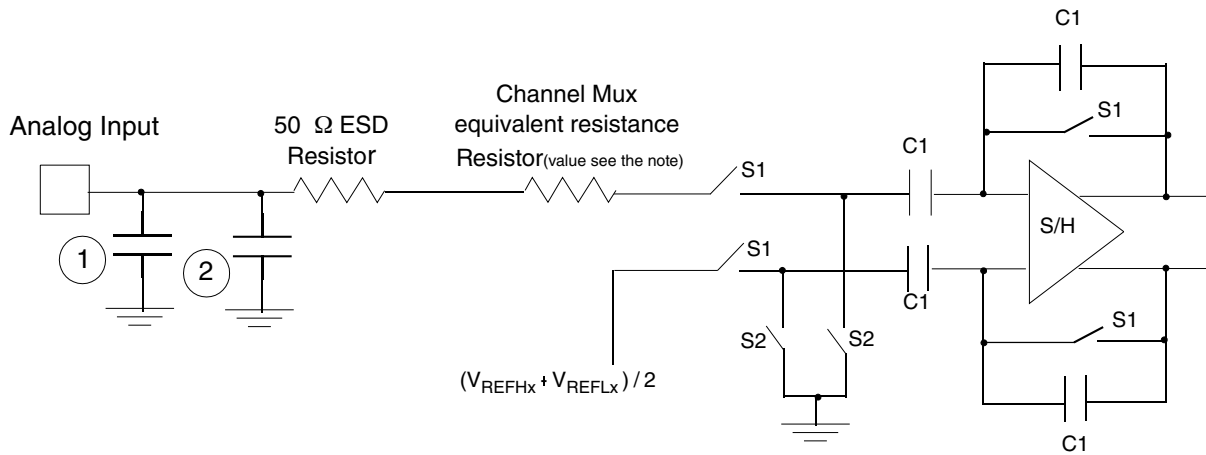
### 10.5.1.1 Equivalent circuit for ADC inputs

The following figure shows the ADC input circuit during sample and hold. S1 and S2 are always opened/closed at non-overlapping phases, and both S1 and S2 are dependent on the ADC clock frequency. The following equation gives equivalent input impedance when the input is selected.

$$\frac{1}{(\text{ADC ClockRate}) \times C_{ADI}} + 50 \text{ ohm} + \text{Resistor}$$

#### NOTE

Resistor=1200 ohm@gain1x, or 730 ohm@gain2x, or 500 ohm@gain4x



1. Parasitic capacitance due to package, pin-to-pin and pin-to-package base coupling = 1.8pF
2. Parasitic capacitance due to the chip bond pad, ESD protection devices and signal routing = 2.04pF
3. S1 and S2 switch phases are non-overlapping and depend on the ADC clock frequency

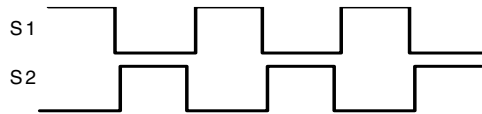


Figure 12. Equivalent circuit for A/D loading

### 10.5.2 12-bit Digital-to-Analog Converter (DAC) parameters

**NOTE**

RLD = 3 kΩ and CLD = 400 pF, unless otherwise specified.

Table 31. DAC parameters

Parameter	Conditions/Comments	Symbol	Min	Typ	Max	Unit
<b>DC Specifications</b>						
Resolution			12	12	12	bits
Settling time <sup>1</sup>	At output load RLD = 3 kΩ CLD = 400 pF Range of input digital words: 410 to 3891		—	1		μs
Power-up time	Time from release of PWRDWN signal until DACOUT signal is valid	t <sub>DAPU</sub>	—	—	11	μs

Table continues on the next page...



Table 31. DAC parameters (continued)

Parameter	Conditions/Comments	Symbol	Min	Typ	Max	Unit
<b>Accuracy</b>						
Integral non-linearity	Range of input digital words: 410 to 3891 (\$19A - \$F33)	INL	—	+/- 3	+/- 4	LSB
Differential non-linearity	Range of input digital words: 410 to 3891 (\$19A - \$F33)	DNL	—	+/- 0.8	+/- 0.9	LSB
Monotonicity	> 6 sigma monotonicity, < 3.4 ppm non-monotonicity		guaranteed			—
Offset error	Range of input digital words: 410 to 3891 (\$19A - \$F33)	V <sub>OFFSET</sub>	—	+/- 25	+ /- 43	mV
Gain error	Range of input digital words: 410 to 3891 (\$19A - \$F33)	E <sub>GAIN</sub>	—	+/- 0.5	+/- 1.5	%
<b>DAC Output</b>						
Output voltage range	Within 40 mV of either V <sub>SSA</sub> or V <sub>DDA</sub>	V <sub>OUT</sub>	V <sub>SSA</sub> + 0.04 V	—	V <sub>DDA</sub> - 0.04 V	V
<b>AC Specifications</b>						
Signal-to-noise ratio		SNR	—	80	—	dB
Spurious free dynamic range		SFDR	—	-72	—	dB
Effective number of bits		ENOB	—	10	—	bits

1. When DAC output is fed to other internal peripherals, the settling time is much shorter.

### 10.5.3 CMP and 8-bit DAC electrical specifications

Table 32. Comparator and 8-bit DAC electrical specifications

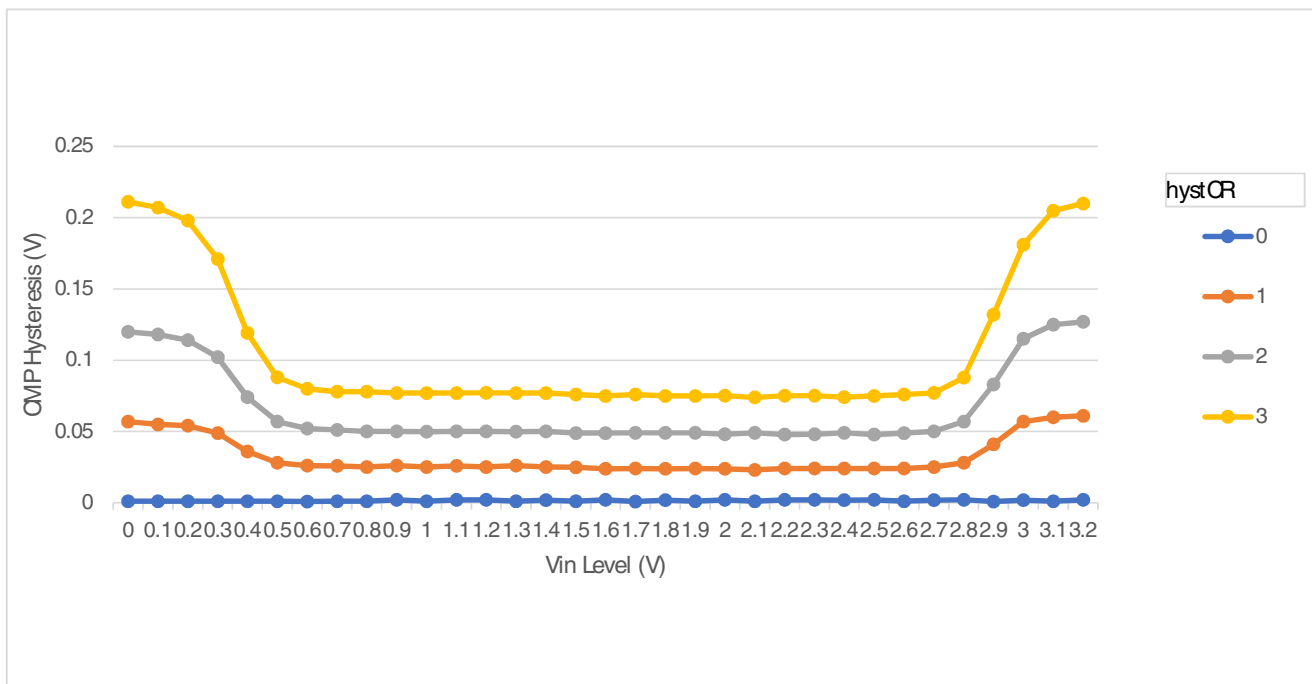
Symbol	Description	Min.	Typ.	Max.	Unit
V <sub>DD</sub>	Supply voltage	3.0	—	3.6	V
I <sub>DDHS</sub>	Supply current, high-speed mode (EN=1, PMODE=1)	—	300	—	μA
I <sub>DDL</sub>	Supply current, low-speed mode (EN=1, PMODE=0)	—	36	—	μA
V <sub>AIN</sub>	Analog input voltage	V <sub>SS</sub>	—	V <sub>DD</sub>	V
V <sub>AIO</sub>	Analog input offset voltage <sup>1</sup>	—	—	20	mV
V <sub>H</sub>	Analog comparator hysteresis <ul style="list-style-type: none"> <li>• CR0[HYSTCTR] = 00<sup>2</sup></li> <li>• CR0[HYSTCTR] = 01<sup>1</sup></li> <li>• CR0[HYSTCTR] = 10<sup>1</sup></li> <li>• CR0[HYSTCTR] = 11<sup>1</sup></li> </ul>	—	5	13	mV
		—	25	48	mV
		—	55	105	mV
		—	80	148	mV
V <sub>CMPOH</sub>	Output high	V <sub>DD</sub> - 0.5	—	—	V
V <sub>CMPOI</sub>	Output low	—	—	0.5	V

Table continues on the next page...

**Table 32. Comparator and 8-bit DAC electrical specifications (continued)**

Symbol	Description	Min.	Typ.	Max.	Unit
$t_{DHS}$	Propagation delay, high-speed mode (EN=1, PMODE=1) <sup>3</sup>	—	25	70	ns
$t_{DLS}$	Propagation delay, low-speed mode (EN=1, PMODE=0) <sup>3</sup>	—	60	200	ns
	Analog comparator initialization delay <sup>4</sup>	—	40	—	$\mu$ s
$I_{DAC8b}$	8-bit DAC current adder (enabled)	—	7	—	$\mu$ A
$V_{reference}$	8-bit DAC reference inputs, Vin1 and Vin2 There are two reference input options selectable (via VRSEL control bit). The reference options must fall within this range.	—	$V_{DD}$	—	V
INL	8-bit DAC integral non-linearity	-1	—	1	LSB <sup>5</sup>
DNL	8-bit DAC differential non-linearity	-1	—	1	LSB

1. Measured with input voltage range limited to  $0.7 \leq V_{in} \leq V_{DD} - 0.8$
2. Measured with input voltage range limited to 0 to  $V_{DD}$
3. Input voltage range:  $0.1V_{DD} \leq V_{in} \leq 0.9V_{DD}$ , step =  $\pm 100mV$ , across all temperature. Does not include PCB and PAD delay.
4. Comparator initialization delay is defined as the time between software writes to change control inputs (Writes to DACEN, VRSEL, PSEL, MSEL, VOSEL) and the comparator output settling to a stable level.
5. 1 LSB =  $V_{reference}/256$



**Figure 13. Typical hysteresis vs. Vin level ( $V_{DD} = 3.3$  V, PMODE = 0)**

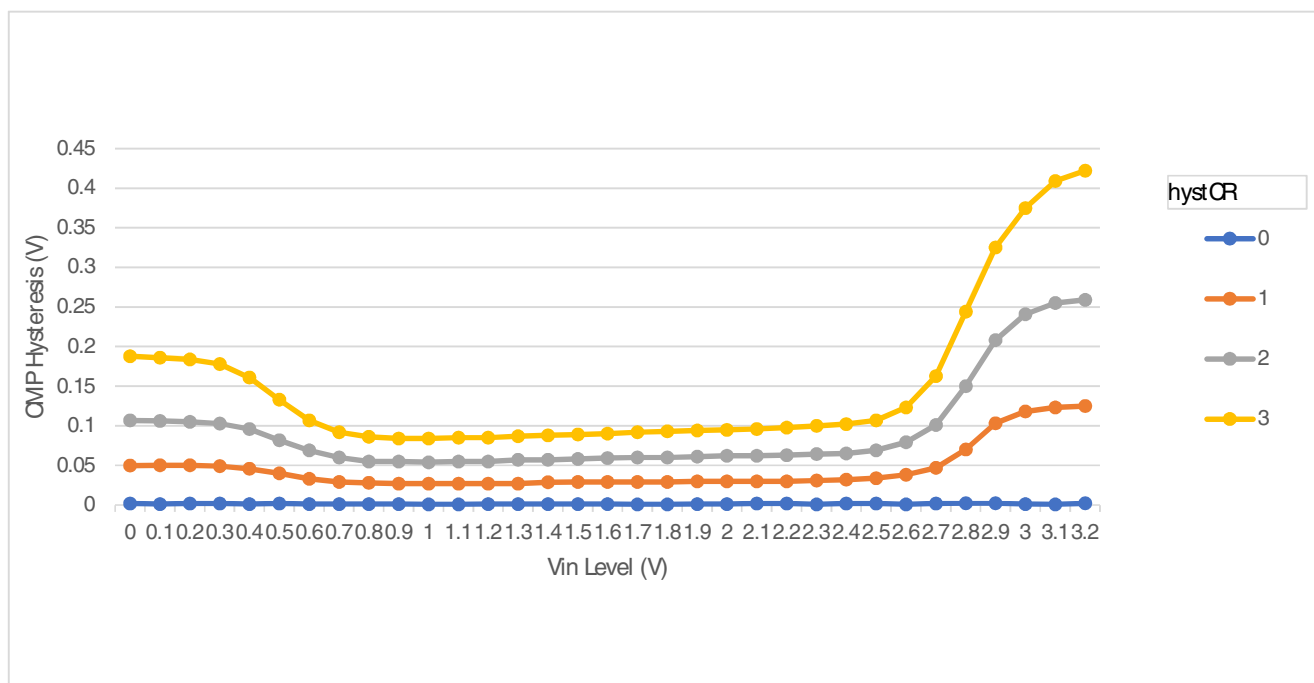


Figure 14. Typical hysteresis vs. Vin level (V<sub>DD</sub> = 3.3 V, PMODE = 1)

## 10.6 PWMs and timers

### 10.6.1 Enhanced NanoEdge PWM characteristics

Table 33. NanoEdge PWM timing parameters

Characteristic	Symbol	Min	Typ	Max	Unit
PWM clock frequency			100		MHz
NanoEdge Placement (NEP) Step Size <sup>1,2</sup>	pwmp		312		ps
Delay for fault input activating to PWM output deactivated		1		33	ns
Power-up Time <sup>3</sup>	t <sub>pu</sub>		25		μs
Resolution of Deadtime			312		ps

1. Reference IPbus clock of 100 MHz in NanoEdge Placement mode.
2. Temperature and voltage variations do not affect NanoEdge Placement step size.
3. Powerdown to NanoEdge mode transition.

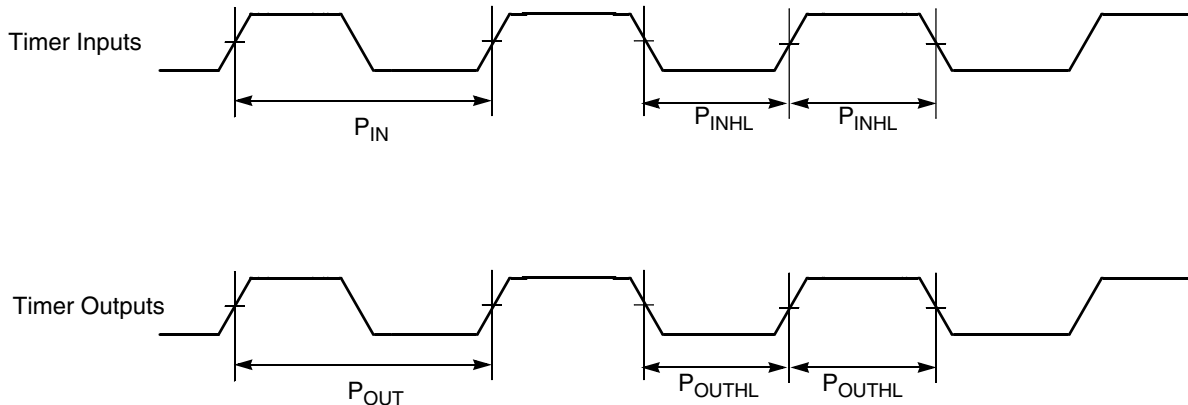
### 10.6.2 Quad Timer timing

Parameters listed are guaranteed by design.

**Table 34. Timer timing**

Characteristic	Symbol	Min <sup>1</sup>	Max	Unit	See Figure
Timer input period	P <sub>IN</sub>	2T + 6	—	ns	Figure 15
Timer input high/low period	P <sub>INHL</sub>	1T + 3	—	ns	Figure 15
Timer output period	P <sub>OUT</sub>	20	—	ns	Figure 15
Timer output high/low period	P <sub>OUTHL</sub>	10	—	ns	Figure 15

1. T = clock cycle. For 100 MHz operation, T = 10 ns.



**Figure 15. Timer timing**

## 10.7 Communication interfaces

### 10.7.1 Queued Serial Peripheral Interface (SPI) timing

Parameters listed are guaranteed by design.

**Table 35. SPI timing**

Characteristic	Symbol	Min	Max	Unit	See Figure
Cycle time	$t_C$	35	—	ns	Figure 16
		35	—	ns	Figure 17
Enable lead time	$t_{ELD}$	—	—	ns	Figure 18
		17.5	—	ns	Figure 19
Enable lag time	$t_{ELG}$	—	—	ns	Figure 19
		17.5	—	ns	

Table continues on the next page...

**Table 35. SPI timing (continued)**

Characteristic	Symbol	Min	Max	Unit	See Figure	
Clock (SCK) high time	$t_{CH}$	16.6	—	ns	Figure 16	
		Master	16.6	—	ns	Figure 17
		Slave				Figure 18 Figure 19
Clock (SCK) low time	$t_{CL}$	16.6	—	ns	Figure 19	
		Master	16.6	—	ns	
		Slave				
Data set-up time required for inputs	$t_{DS}$	16.5	—	ns	Figure 16	
		Master	1	—	ns	Figure 17
		Slave				Figure 18 Figure 19
Data hold time required for inputs	$t_{DH}$	1	—	ns	Figure 16	
		Master	3	—	ns	Figure 17
		Slave				Figure 18 Figure 19
Access time (time to data active from high-impedance state)	$t_A$	5	—	ns	Figure 19	
Slave						
Disable time (hold time to high-impedance state)	$t_D$	5	—	ns	Figure 19	
Slave						
Data valid for outputs	$t_{DV}$	—	5	ns	Figure 16	
		Master	—	15	ns	Figure 17
		Slave (after enable edge)				Figure 18 Figure 19
Data invalid	$t_{DI}$	0	—	ns	Figure 16	
		Master	0	—	ns	Figure 17
		Slave				Figure 18 Figure 19
Rise time	$t_R$	—	1	ns	Figure 16	
		Master	—	1	ns	Figure 17
		Slave				Figure 18 Figure 19
Fall time	$t_F$	—	1	ns	Figure 16	
		Master	—	1	ns	Figure 17
		Slave				Figure 18 Figure 19



Figure 16. SPI master timing (CPHA = 0)

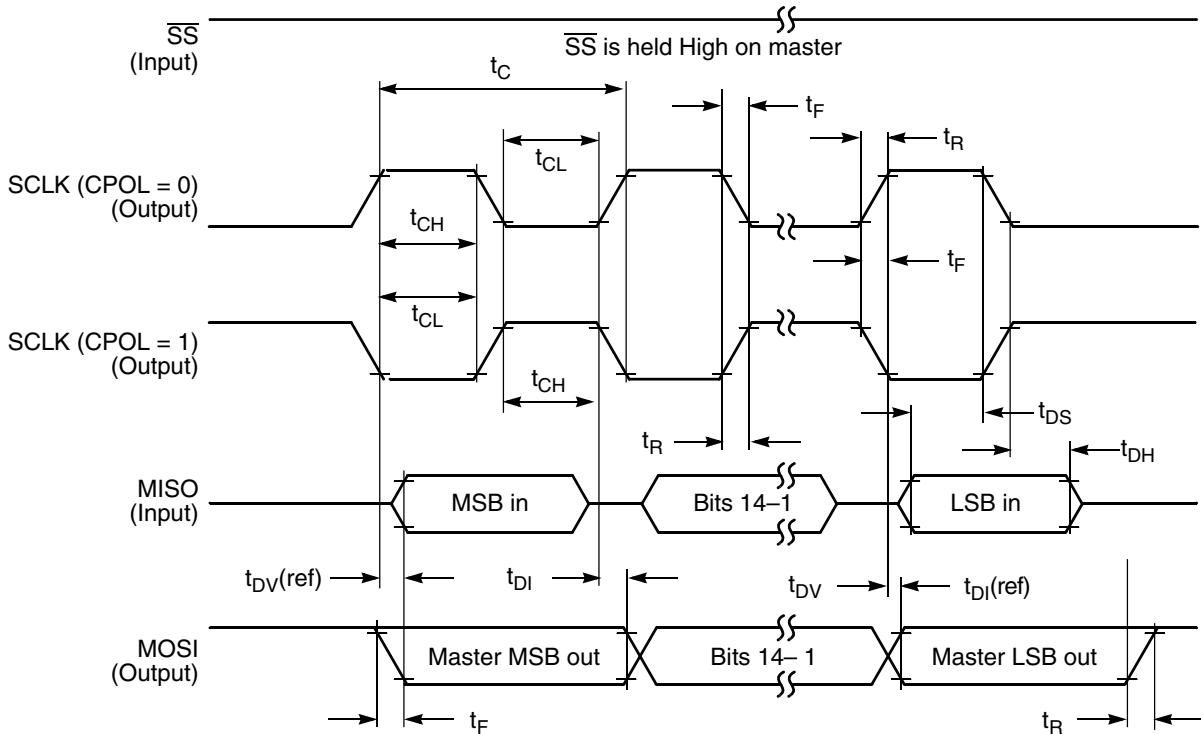


Figure 17. SPI master timing (CPHA = 1)

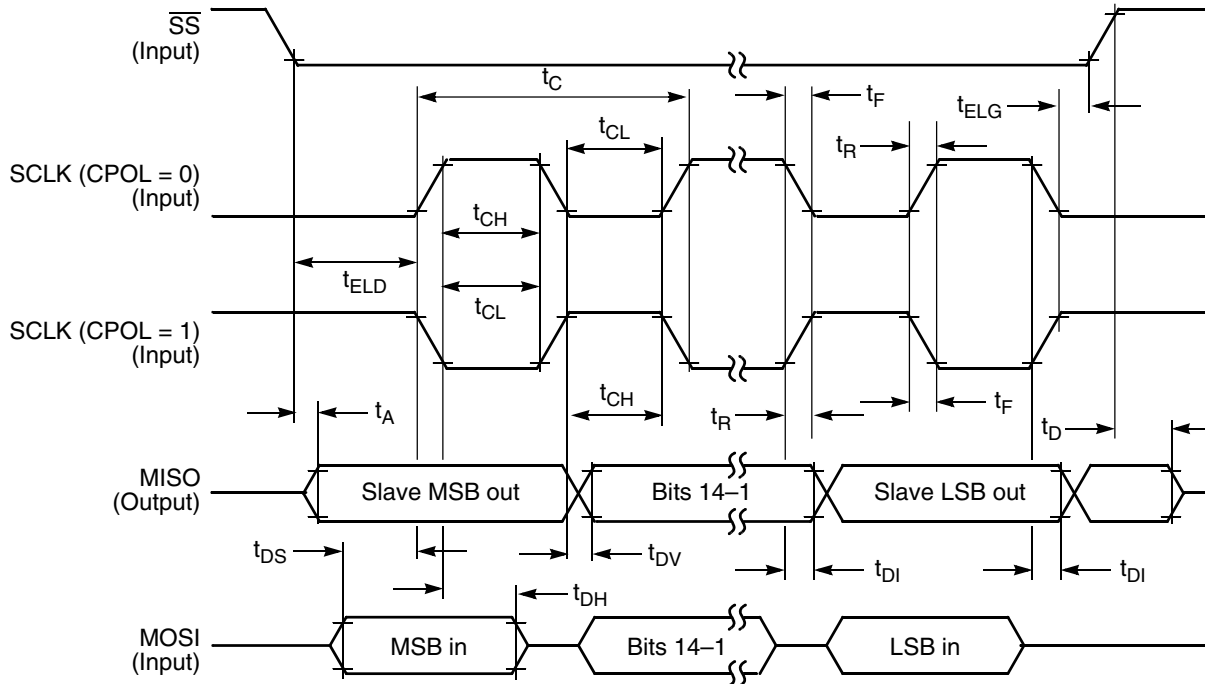


Figure 18. SPI slave timing (CPHA = 0)

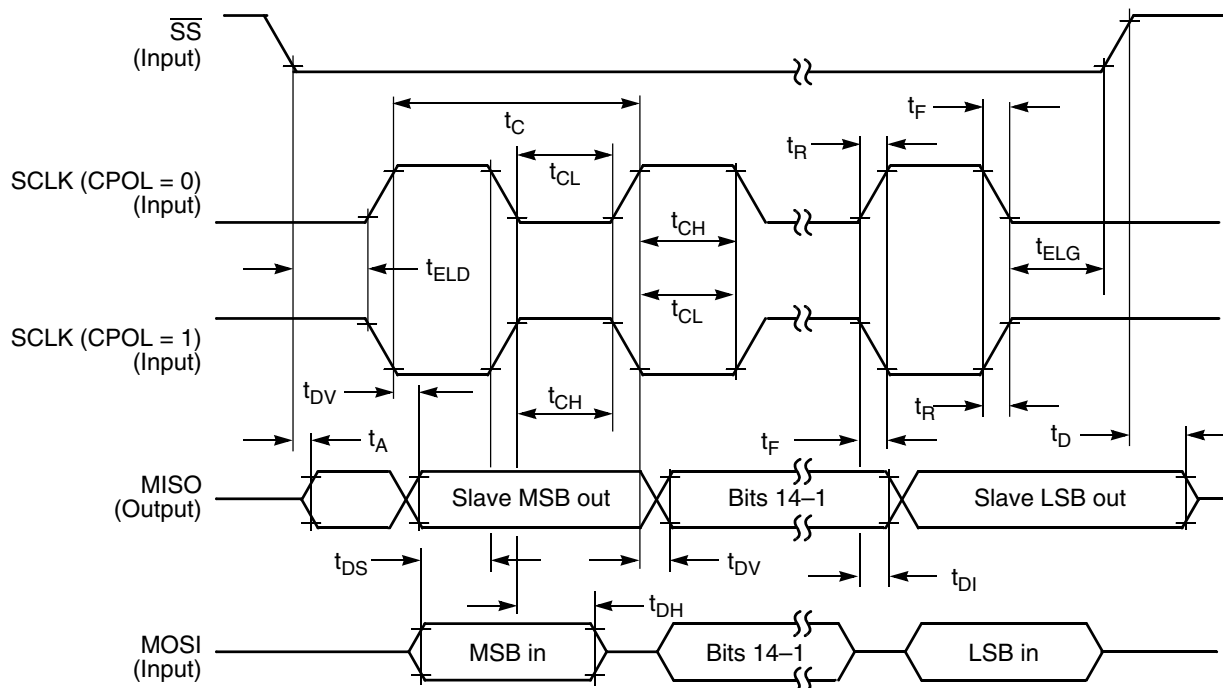


Figure 19. SPI slave timing (CPHA = 1)

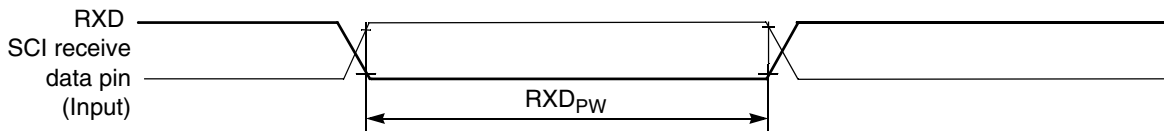
## 10.7.2 Queued Serial Communication Interface (SCI) timing

Parameters listed are guaranteed by design.

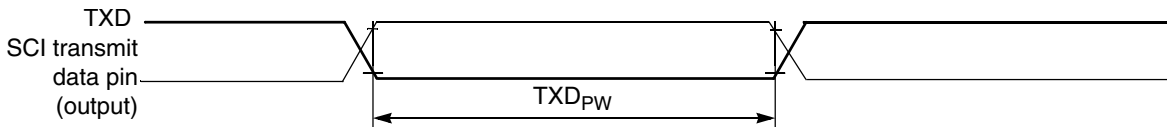
**Table 36. SCI timing**

Characteristic	Symbol	Min	Max	Unit	See Figure
Baud rate <sup>1</sup>	BR	—	( $f_{MAX}/16$ )	Mbit/s	—
RXD pulse width	RXD <sub>PW</sub>	0.965/BR	1.04/BR	µs	Figure 20
TXD pulse width	TXD <sub>PW</sub>	0.965/BR	1.04/BR	µs	Figure 21
LIN Slave Mode					
Deviation of slave node clock from nominal clock rate before synchronization	F <sub>TOL_UNSYNCH</sub>	-14	14	%	—
Deviation of slave node clock relative to the master node clock after synchronization	F <sub>TOL_SYNCH</sub>	-2	2	%	—
Minimum break character length	T <sub>BREAK</sub>	13	—	Master node bit periods	—
		11	—	Slave node bit periods	—

- $f_{MAX}$  is the frequency of operation of the SCI clock in MHz, which can be selected as the bus clock (max.200 MHz depending on part number) or 2x bus clock (max. 200 MHz) for the devices.



**Figure 20. RXD pulse width**



**Figure 21. TXD pulse width**

## 10.7.3 Inter-Integrated Circuit Interface (I<sup>2</sup>C) timing

**Table 37. I<sup>2</sup>C timing**

Characteristic	Symbol	Standard Mode		Fast Mode		Unit
		Minimum	Maximum	Minimum	Maximum	
SCL Clock Frequency	$f_{SCL}$	0	100	0	400	kHz
Hold time (repeated) START condition. After this period, the first clock pulse is generated.	$t_{HD}$ ; STA	4	—	0.6	—	µs
LOW period of the SCL clock	$t_{LOW}$	4.7	—	1.3	—	µs

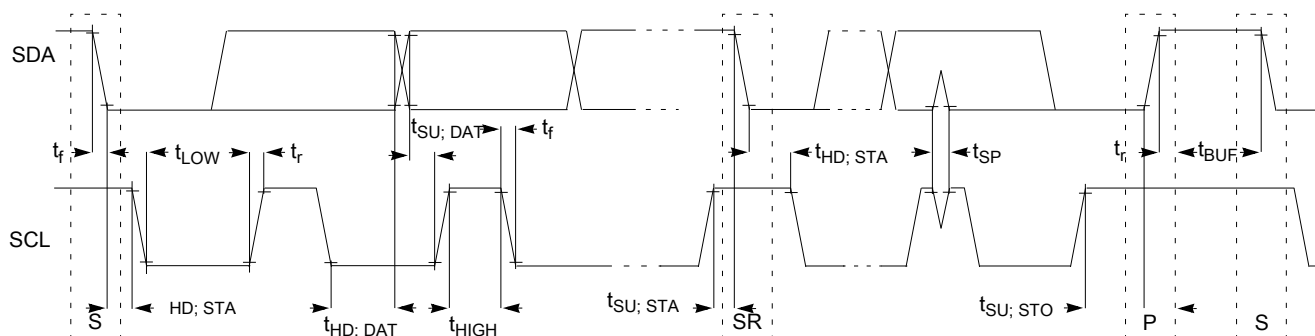
Table continues on the next page...



Table 37. I<sup>2</sup>C timing (continued)

Characteristic	Symbol	Standard Mode		Fast Mode		Unit
		Minimum	Maximum	Minimum	Maximum	
HIGH period of the SCL clock	$t_{\text{HIGH}}$	4	—	0.6	—	$\mu\text{s}$
Set-up time for a repeated START condition	$t_{\text{SU; STA}}$	4.7	—	0.6	—	$\mu\text{s}$
Data hold time for I <sup>2</sup> C bus devices	$t_{\text{HD; DAT}}$	0 <sup>1</sup>	3.45 <sup>2</sup>	0 <sup>3</sup>	0.9 <sup>1</sup>	$\mu\text{s}$
Data set-up time	$t_{\text{SU; DAT}}$	250 <sup>4</sup>	—	100 <sup>2, 5</sup>	—	ns
Rise time of SDA and SCL signals	$t_r$	—	1000	$20 + 0.1C_b^{5, 6}$	300	ns
Fall time of SDA and SCL signals	$t_f$	—	300	$20 + 0.1C_b^{5, 6}$	300	ns
Set-up time for STOP condition	$t_{\text{SU; STO}}$	4	—	0.6	—	$\mu\text{s}$
Bus free time between STOP and START condition	$t_{\text{BUF}}$	4.7	—	1.3	—	$\mu\text{s}$
Pulse width of spikes that must be suppressed by the input filter	$t_{\text{SP}}$	N/A	N/A	0	50	ns

1. The master mode I<sup>2</sup>C deasserts ACK of an address byte simultaneously with the falling edge of SCL. If no slaves acknowledge this address byte, then a negative hold time can result, depending on the edge rates of the SDA and SCL lines.
2. The maximum  $t_{\text{HD; DAT}}$  must be met only if the device does not stretch the LOW period ( $t_{\text{LOW}}$ ) of the SCL signal.
3. Input signal Slew = 10 ns and Output Load = 50 pF.
4. Set-up time in slave-transmitter mode is 1 IP Bus clock period, if the TX FIFO is empty.
5. A Fast mode I<sup>2</sup>C bus device can be used in a Standard mode I<sup>2</sup>C bus system, but the requirement  $t_{\text{SU; DAT}} \geq 250$  ns must then be met. This is automatically the case if the device does not stretch the LOW period of the SCL signal. If such a device does stretch the LOW period of the SCL signal, then it must output the next data bit to the SDA line  $t_{\text{rmax}} + t_{\text{SU; DAT}} = 1000 + 250 = 1250$  ns (according to the Standard mode I<sup>2</sup>C bus specification) before the SCL line is released.
6.  $C_b$  = total capacitance of the one bus line in pF.

Figure 22. Timing definition for fast and standard mode devices on the I<sup>2</sup>C bus

## 10.7.4 FlexCAN switching specifications

See the "General switching timing" section.

## 11 Design Considerations

### 11.1 Thermal design considerations

An estimate of the chip junction temperature ( $T_J$ ) can be obtained from the equation:

$$T_J = T_A + (R_{\Theta JA} \times P_D)$$

where

$T_A$  = Ambient temperature for the package ( $^{\circ}\text{C}$ )

$R_{\Theta JA}$  = Junction-to-ambient thermal resistance ( $^{\circ}\text{C}/\text{W}$ )

$P_D$  = Power dissipation in the package (W).

The junction-to-ambient thermal resistance is an industry-standard value that provides a quick and easy estimation of thermal performance. Unfortunately, there are two values in common usage: the value determined on a single-layer board and the value obtained on a board with two planes. For packages such as the PBGA, these values can be different by a factor of two. Which  $T_J$  value is closer to the application depends on the power dissipated by other components on the board.

- The  $T_J$  value obtained on a single layer board is appropriate for a tightly packed printed circuit board.
- The  $T_J$  value obtained on a board with the internal planes is usually appropriate if the board has low-power dissipation and if the components are well separated.

When a heat sink is used, the thermal resistance is expressed as the sum of a junction-to-case thermal resistance and a case-to-ambient thermal resistance:

$$R_{\Theta JA} = R_{\Theta JC} + R_{\Theta CA}$$

where

$R_{\Theta JA}$  = Package junction-to-ambient thermal resistance ( $^{\circ}\text{C}/\text{W}$ )

$R_{\Theta JC}$  = Package junction-to-case thermal resistance ( $^{\circ}\text{C}/\text{W}$ )

$R_{\Theta CA}$  = Package case-to-ambient thermal resistance ( $^{\circ}\text{C}/\text{W}$ ).

$R_{\Theta JC}$  is device related and cannot be adjusted. You control the thermal environment to change the case to ambient thermal resistance,  $R_{\Theta CA}$ . For instance, you can change the size of the heat sink, the air flow around the device, the interface material, the mounting arrangement on printed circuit board, or change the thermal dissipation on the printed circuit board surrounding the device.

**To determine the junction temperature of the device in the application when heat sinks are not used**, the thermal characterization parameter ( $\Psi_{JT}$ ) can be used to determine the junction temperature with a measurement of the temperature at the top center of the package case using the following equation:

$$T_J = T_T + (\Psi_{JT} \times P_D)$$

where

$T_T$  = Thermocouple temperature on top of package ( $^{\circ}\text{C}/\text{W}$ )

$\Psi_{JT}$  = thermal characterization parameter ( $^{\circ}\text{C}/\text{W}$ )

$P_D$  = Power dissipation in package (W).

The thermal characterization parameter is measured per JESD51–2 specification using a 40-gauge type T thermocouple epoxied to the top center of the package case. The thermocouple should be positioned so that the thermocouple junction rests on the package. A small amount of epoxy is placed over the thermocouple junction and over about 1 mm of wire extending from the junction. The thermocouple wire is placed flat against the package case to avoid measurement errors caused by cooling effects of the thermocouple wire.

**To determine the junction temperature of the device in the application when heat sinks are used**, the junction temperature is determined from a thermocouple inserted at the interface between the case of the package and the interface material. A clearance slot or hole is normally required in the heat sink. Minimizing the size of the clearance is important to minimize the change in thermal performance caused by removing part of the thermal interface to the heat sink. Because of the experimental difficulties with this technique, many engineers measure the heat sink temperature and then back-calculate the case temperature using a separate measurement of the thermal resistance of the interface. From this case temperature, the junction temperature is determined from the junction-to-case thermal resistance.

## 11.2 Electrical design considerations

### CAUTION

This device contains protective circuitry to guard against damage due to high static voltage or electrical fields. However, take normal precautions to avoid application of any voltages higher than maximum-rated voltages to this high-impedance circuit. Reliability of operation is enhanced if unused inputs are tied to an appropriate voltage level.

Use the following list of considerations to assure correct operation of the device:

- Provide a low-impedance path from the board power supply to each  $V_{DD}$  pin on the device and from the board ground to each  $V_{SS}$  (GND) pin.
- The minimum bypass requirement is to place 0.01–0.1  $\mu\text{F}$  capacitors positioned as near as possible to the package supply pins. The recommended bypass configuration is to place one bypass capacitor on each of the  $V_{DD}/V_{SS}$  pairs, including  $V_{DDA}/V_{SSA}$ . Ceramic and tantalum capacitors tend to provide better tolerances.
- Ensure that capacitor leads and associated printed circuit traces that connect to the chip  $V_{DD}$  and  $V_{SS}$  (GND) pins are as short as possible.
- Bypass the  $V_{DD}$  and  $V_{SS}$  with approximately 100  $\mu\text{F}$ , plus the number of 0.1  $\mu\text{F}$  ceramic capacitors.
- PCB trace lengths should be minimal for high-frequency signals.
- Consider all device loads as well as parasitic capacitance due to PCB traces when calculating capacitance. This is especially critical in systems with higher capacitive loads that could create higher transient currents in the  $V_{DD}$  and  $V_{SS}$  circuits.
- Take special care to minimize noise levels on the  $V_{REF}$ ,  $V_{DDA}$ , and  $V_{SSA}$  pins.
- Using separate power planes for  $V_{DD}$  and  $V_{DDA}$  and separate ground planes for  $V_{SS}$  and  $V_{SSA}$  are recommended. Connect the separate analog and digital power and ground planes as near as possible to power supply outputs. If an analog circuit and digital circuit are powered by the same power supply, then connect a small inductor or ferrite bead in serial with  $V_{DDA}$ . Traces of  $V_{SS}$  and  $V_{SSA}$  should be shorted together.
- Physically separate analog components from noisy digital components by ground planes. Do not place an analog trace in parallel with digital traces. Place an analog ground trace around an analog signal trace to isolate it from digital traces.
- Because the flash memory is programmed through the JTAG/EOnCE port, SPI, SCI, or I<sup>2</sup>C, the designer should provide an interface to this port if in-circuit flash programming is desired.
- If desired, connect an external RC circuit to the  $\overline{\text{RESET}}$  pin. The resistor value should be in the range of 4.7 k $\Omega$ –10 k $\Omega$ ; the capacitor value should be in the range of 0.1  $\mu\text{F}$ –4.7  $\mu\text{F}$ .
- Configuring the  $\overline{\text{RESET}}$  pin to GPIO output in normal operation in a high-noise environment may help to improve the performance of noise transient immunity.
- Add a 2.2 k $\Omega$  external pullup on the TMS pin of the JTAG port to keep EOnCE in a reset state during normal operation if JTAG converter is not present. Furthermore, configure TMS, TDI, TDO and TCK to GPIO if operation environment is very noisy.
- During reset and after reset but before I/O initialization, all the GPIO pins are at tri-state.
- To eliminate PCB trace impedance effect, each ADC input should have a no less than 33 pF 10 $\Omega$  RC filter.

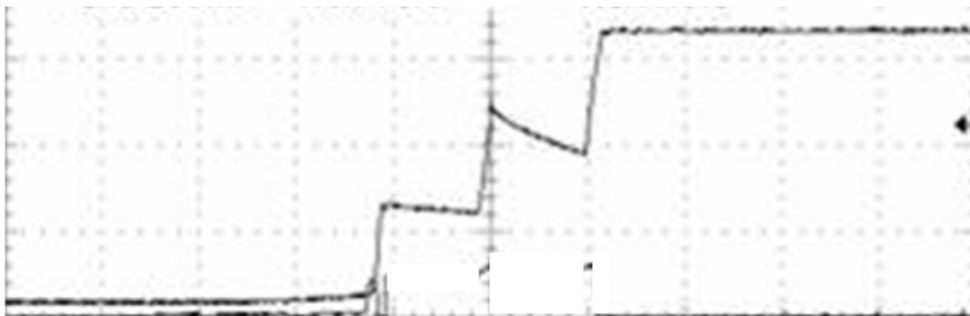
## 11.3 Power-on Reset design considerations

### 11.3.1 Improper power-up sequence between VDD/VSS and VDDA/VSSA:

It is recommended that VDD be kept within 100 mV of VDDA at all times, including power ramp-up and ramp-down. Failure to keep VDD within 100 mV of VDDA may cause a leakage current through the substrate, between the VDD and VDDA pad cells. This leakage current could prevent operation of the device after it powers up. The voltage difference between VDD and VDDA must be limited to below 0.3 V at all times, to avoid permanent damage to the part (See the table in "Voltage and current operating ratings" section). Also see the table in "Voltage and current operating requirements" section.

### 11.3.2 Heavy capacitive load on power supply output:

In some applications, the low cost DC/DC converter may not regulate the output voltage well before it reaches the regulation point, which is roughly around 2.7V. However, the device might exit power-on reset at around 2.3V. If the initialization code enables the PLL to run the DSC at full speed right after reset, then the high current will be pulled by DSC from the supply, which can cause the supply voltage to drop below the operation voltage; see the captured graph (Figure 23). This can cause the DSC fail to start up.



**Figure 23. Supply Voltage Drop**

A recommended initialization sequence during power-up is:

1. After POR is released, run a few hundred NOP instructions from the internal relaxation oscillator; this gives time for the supply voltage to stabilize.
2. Configure the peripherals (except the ADC) to the desired settings; the ADC should stay in low power mode.

## Obtaining package dimensions

3. Power up the PLL.
4. After the PLL locks, switch the clock from PLL prescale to postscale.
5. Configure the ADC.

## 12 Obtaining package dimensions

Package dimensions are provided in package drawings.

To find a package drawing, go to [nxp.com](http://nxp.com) and perform a keyword search for the drawing's document number:

Drawing for package	Document number to be used
64-pin LQFP	98ASS23234W
80-pin LQFP	98ASS23174W
100-pin LQFP	98ASS23308W

## 13 Product documentation

The documents listed in [Table 38](#) are required for a complete description and to successfully design using the device. Documentation is available from local NXP distributors, NXP sales offices, or online at [www.nxp.com](http://www.nxp.com).

**Table 38. Device documentation**

Topic	Description	Document Number
DSP56800E/DSP56800EX Reference Manual	Detailed description of the 56800EX family architecture, 32-bit digital signal controller core processor, and the instruction set	DSP56800ERM
MC56F83xxx Reference Manual	Detailed functional description and programming model	MC56F83XXXRM
MC56F837xx Data Sheet	Electrical and timing specifications, pin descriptions, and package information (this document)	MC56F837XXDS
MC56F83xxx Errata	Details any chip issues that might be present	MC56F83XXX_ON64Y

## 14 Revision history

The following table provides a revision history for this document.

**Table 39. Revision history**

<b>Rev.</b>	<b>Date</b>	<b>Substantial Changes</b>
1.6	09/2019	Initial public release
2	10/2020	<ul style="list-style-type: none"><li>• Added M temperature parts for industrial-tier devices, and updated related electrical specifications.</li><li>• Added V temperature parts for automotive-tier devices, and updated related sections.</li><li>• Added new sections: "Signal and pin descriptions" and "Signal groups".</li><li>• Some other minor updates throughout the datasheet.</li></ul>
2.1	11/2020	<ul style="list-style-type: none"><li>• Added M temperature parts for automotive-tier devices.</li></ul>
2.2	01/2021	<ul style="list-style-type: none"><li>• Added a new section "Reliability specifications (Automotive)", and updated the section "Reliability specifications (Industrial)".</li></ul>