

## MC9S08PA60

## MC9S08PA60 Series Data Sheet

Supports: MC9S08PA60(A) and MC9S08PA32(A)

### Key features

- 8-Bit S08 central processor unit (CPU)
  - Up to 20 MHz bus at 2.7 V to 5.5 V across temperature range of -40 °C to 105 °C
  - Supporting up to 40 interrupt/reset sources
  - Supporting up to four-level nested interrupt
  - On-chip memory
    - Up to 60 KB flash read/program/erase over full operating voltage and temperature
    - Up to 256 byte EEPROM; 2-byte erase sector; program and erase while executing flash
    - Up to 4096 byte random-access memory (RAM)
    - Flash and RAM access protection
- Power-saving modes
  - One low-power stop mode; reduced power wait mode
  - Peripheral clock enable register can disable clocks to unused modules, reducing currents; allows clocks to remain enabled to specific peripherals in stop3 mode
- Clocks
  - Oscillator (XOSC) - loop-controlled Pierce oscillator; crystal or ceramic resonator range of 31.25 kHz to 39.0625 kHz or 4 MHz to 20 MHz
  - Internal clock source (ICS) - containing a frequency-locked-loop (FLL) controlled by internal or external reference; precision trimming of internal reference allowing 1% deviation across temperature range of 0 °C to 70 °C and 2% deviation across the whole operating temperature; up to 20 MHz
- System protection
  - Watchdog with independent clock source
  - Low-voltage detection with reset or interrupt; selectable trip points
  - Illegal opcode detection with reset
  - Illegal address detection with reset

**MC9S08PA60A and MC9S08PA32A are recommended for new design**

- Development support
  - Single-wire background debug interface
  - Breakpoint capability to allow three breakpoints setting during in-circuit debugging
  - On-chip in-circuit emulator (ICE) debug module containing two comparators and nine trigger modes
- Peripherals
  - ACMP - one analog comparator with both positive and negative inputs; separately selectable interrupt on rising and falling comparator output; filtering
  - ADC - 16-channel, 12-bit resolution; 2.5 μs conversion time; data buffers with optional watermark; automatic compare function; internal bandgap reference channel; operation in stop mode; optional hardware trigger
  - CRC - programmable cyclic redundancy check module
  - FTM - three flex timer modulators modules including one 6-channel and two 2-channel ones; 16-bit counter; each channel can be configured for input capture, output compare, edge- or center-aligned PWM mode
  - IIC - One inter-integrated circuit module; up to 400 kbps; multi-master operation; programmable slave address; supporting broadcast mode and 10-bit addressing; supporting SMBUS and PMBUS
  - MTIM - Two modulo timers with 8-bit prescaler and overflow interrupt
  - RTC - 16-bit real timer counter (RTC)
  - SCI - three serial communication interface (SCI/UART) modules optional 13-bit break; full duplex non-return to zero (NRZ); LIN extension support
  - SPI - one 8-bit and one 16-bit serial peripheral interface (SPI) modules; full-duplex or single-wire bidirectional; master or slave mode

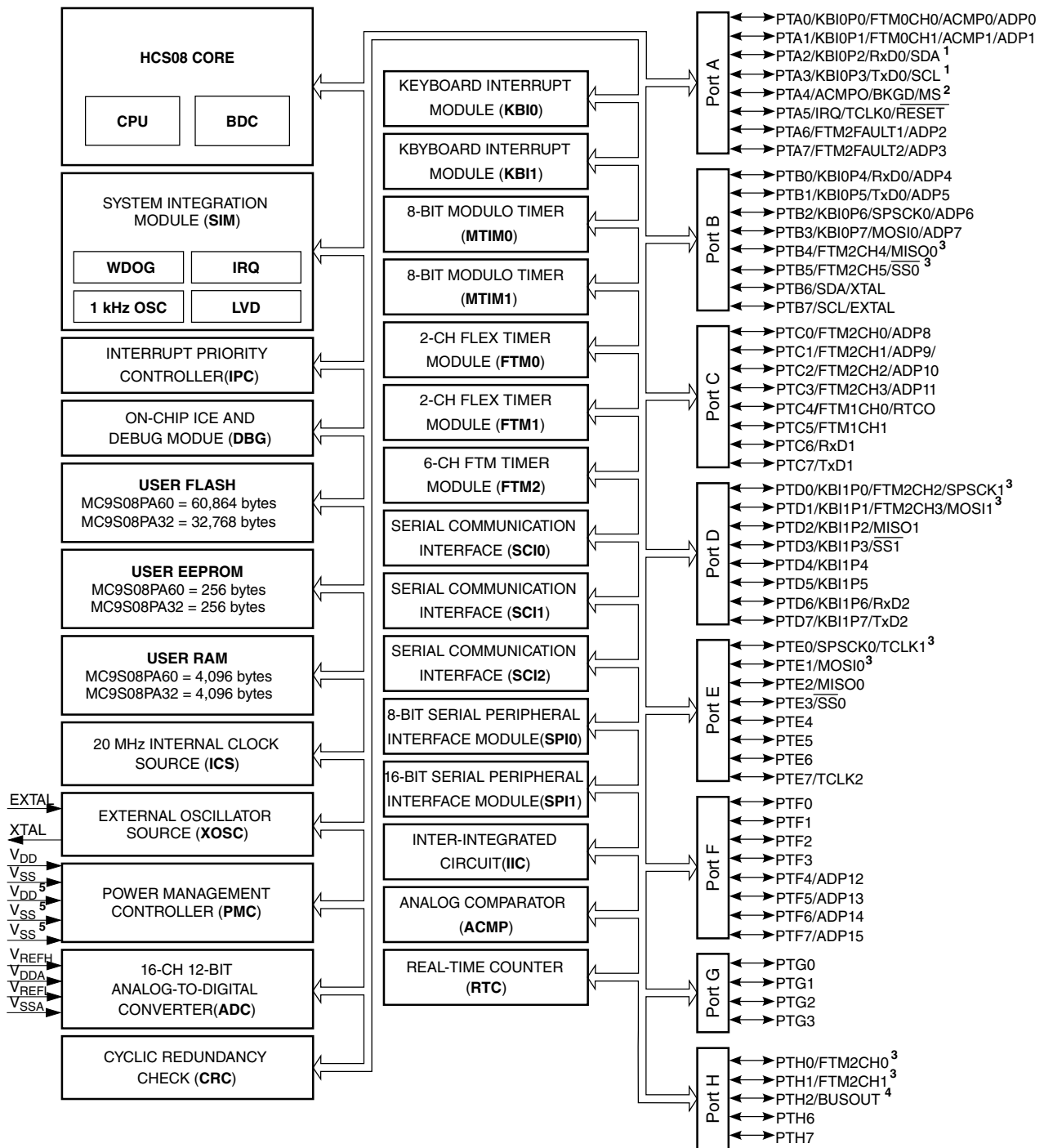
- Input/Output
  - Up to 57 GPIOs including one output-only pin
  - Two 8-bit keyboard interrupt modules (KBI)
  - Two true open-drain output pins
  - Eight, ultra-high current sink pins supporting 20 mA source/sink current
- Package options
  - 64-pin LQFP; 64-pin QFP
  - 48-pin LQFP
  - 44-pin LQFP
  - 32-pin LQFP

# Table of Contents

1	MCU block diagram.....	4	6.2.2	Debug trace timing specifications.....	19
2	Orderable part numbers.....	6	6.2.3	FTM module timing.....	20
3	Part identification.....	7	6.3	Thermal specifications.....	21
3.1	Description.....	7	6.3.1	Thermal operating requirements.....	21
3.2	Format.....	7	6.3.2	Thermal characteristics.....	21
3.3	Fields.....	7	7	Peripheral operating requirements and behaviors.....	22
3.4	Example.....	7	7.1	External oscillator (XOSC) and ICS characteristics.....	22
4	Parameter Classification.....	8	7.2	NVM specifications.....	24
5	Ratings.....	8	7.3	Analog.....	25
5.1	Thermal handling ratings.....	8	7.3.1	ADC characteristics.....	25
5.2	Moisture handling ratings.....	8	7.3.2	Analog comparator (ACMP) electricals.....	28
5.3	ESD handling ratings.....	9	7.4	Communication interfaces.....	29
5.4	Voltage and current operating ratings.....	9	7.4.1	SPI switching specifications.....	29
6	General.....	10	8	Dimensions.....	32
6.1	Nonswitching electrical specifications.....	10	8.1	Obtaining package dimensions.....	32
6.1.1	DC characteristics.....	10	9	Pinout.....	33
6.1.2	Supply current characteristics.....	16	9.1	Signal multiplexing and pin assignments.....	33
6.1.3	EMC performance.....	17	9.2	Device pin assignment.....	35
6.2	Switching specifications.....	18	10	Revision history.....	39
6.2.1	Control timing.....	18			

## 1 MCU block diagram

The block diagram below shows the structure of the MCUs.



1. PTA2 and PTA3 operate as true open drain when working as output .
2. PTA4/ACMPO/BKGD/MS is an output-only pin when used as port pin.
3. PTB4, PTB5, PTD0, PTD1, PTE0, PTE1, PTH0 and PTH1 can provide high sink/source current drive.
4. The frequency of the clock from BUSOUT must be equal or less than 10 MHz with 25 pF loading at PAD.
5. The secondary power pair of V<sub>DD</sub> and V<sub>SS</sub> (pin 41 and pin 40 in 64-pin packages) and the third V<sub>SS</sub> (pin 13 in 64-pin packages) are not bonded in 32-pin packages.

Figure 1. MCU block diagram

## 2 Orderable part numbers

The following table summarizes the part numbers of the devices covered by this document.

**Table 1. Ordering information**

Feature	MC9S08PA60(A)					MC9S08PA32(A)				
	VLH	VQH	VLF	VLD	VLC	VLH	VQH	VLF	VLD	VLC
Max. frequency (MHz)	20	20	20	20	20	20	20	20	20	20
Flash memory (KB)	60	60	60	60	60	32	32	32	32	32
RAM (KB)	4	4	4	4	4	4	4	4	4	4
EEPROM (B)	256	256	256	256	256	256	256	256	256	256
12-bit ADC	16ch	16ch	12ch	12ch	12ch	16ch	16ch	12ch	12ch	12ch
16-bit FlexTimer	6ch+2ch+2ch	6ch+2ch+2ch	6ch+2ch+2ch	6ch+2ch+2ch	6ch+2ch+2ch	6ch+2ch+2ch	6ch+2ch+2ch	6ch+2ch+2ch	6ch+2ch+2ch	6ch+2ch+2ch
8-bit Modulo timer	2	2	2	2	2	2	2	2	2	2
ACMP	1	1	1	1	1	1	1	1	1	1
RTC	Yes	Yes	Yes	Yes	Yes	Yes	Yes	Yes	Yes	Yes
16-bit SPI	1	1	1	1	1	1	1	1	1	1
8-bit SPI	1	1	1	1	1	1	1	1	1	1
I2C	1	1	1	1	1	1	1	1	1	1
SCI (LIN Capable)	3	3	3	3	2	3	3	3	3	2
Watchdog	Yes	Yes	Yes	Yes	Yes	Yes	Yes	Yes	Yes	Yes
CRC	Yes	Yes	Yes	Yes	Yes	Yes	Yes	Yes	Yes	Yes
20mA high-drive pins	8	8	6	6	4	8	8	6	6	4
KBI pins	16	16	16	12	12	16	16	16	12	12
GPIO	57	57	41	37	28	57	57	41	37	28
Package	64-LQFP	64-QFP	48-LQFP	44-LQFP	32-LQFP	64-LQFP	64-QFP	48-LQFP	44-LQFP	32-LQFP

## 3 Part identification

### 3.1 Description

Part numbers for the chip have fields that identify the specific part. You can use the values of these fields to determine the specific part you have received.

### 3.2 Format

Part numbers for this device have the following format:

MC 9 S08 PA AA (V) B CC

### 3.3 Fields

This table lists the possible values for each field in the part number (not all combinations are valid):

Field	Description	Values
MC	Qualification status	<ul style="list-style-type: none"> <li>MC = fully qualified, general market flow</li> </ul>
9	Memory	<ul style="list-style-type: none"> <li>9 = flash based</li> </ul>
S08	Core	<ul style="list-style-type: none"> <li>S08 = 8-bit CPU</li> </ul>
PA	Device family	<ul style="list-style-type: none"> <li>PA</li> </ul>
AA	Approximate flash size in KB	<ul style="list-style-type: none"> <li>60 = 60 KB</li> <li>32 = 32 KB</li> </ul>
(V)	Mask set version	<ul style="list-style-type: none"> <li>(blank) = Any version</li> <li>A = Rev. 2 or later version, this is recommended for new design</li> </ul>
B	Operating temperature range (°C)	<ul style="list-style-type: none"> <li>V = -40 to 105</li> </ul>
CC	Package designator	<ul style="list-style-type: none"> <li>QH = 64-pin QFP</li> <li>LH = 64-pin LQFP</li> <li>LF = 48-pin LQFP</li> <li>LD = 44-pin LQFP</li> <li>LC = 32-pin LQFP</li> </ul>

### 3.4 Example

This is an example part number:

## 4 Parameter Classification

The electrical parameters shown in this supplement are guaranteed by various methods. To give the customer a better understanding, the following classification is used and the parameters are tagged accordingly in the tables where appropriate:

**Table 2. Parameter Classifications**

P	Those parameters are guaranteed during production testing on each individual device.
C	Those parameters are achieved by the design characterization by measuring a statistically relevant sample size across process variations.
T	Those parameters are achieved by design characterization on a small sample size from typical devices under typical conditions unless otherwise noted. All values shown in the typical column are within this category.
D	Those parameters are derived mainly from simulations.

### NOTE

The classification is shown in the column labeled “C” in the parameter tables where appropriate.

## 5 Ratings

### 5.1 Thermal handling ratings

Symbol	Description	Min.	Max.	Unit	Notes
T <sub>STG</sub>	Storage temperature	-55	150	°C	1
T <sub>SDR</sub>	Solder temperature, lead-free	—	260	°C	2

1. Determined according to JEDEC Standard JESD22-A103, *High Temperature Storage Life*.
2. Determined according to IPC/JEDEC Standard J-STD-020, *Moisture/Reflow Sensitivity Classification for Nonhermetic Solid State Surface Mount Devices*.

### 5.2 Moisture handling ratings

Symbol	Description	Min.	Max.	Unit	Notes
MSL	Moisture sensitivity level	—	3	—	1

1. Determined according to IPC/JEDEC Standard J-STD-020, *Moisture/Reflow Sensitivity Classification for Nonhermetic Solid State Surface Mount Devices*.



## 5.3 ESD handling ratings

Symbol	Description	Min.	Max.	Unit	Notes
$V_{\text{HBM}}$	Electrostatic discharge voltage, human body model	-6000	+6000	V	1
$V_{\text{CDM}}$	Electrostatic discharge voltage, charged-device model	-500	+500	V	2
$I_{\text{LAT}}$	Latch-up current at ambient temperature of 105 °C	-100	+100	mA	

1. Determined according to JEDEC Standard JESD22-A114, *Electrostatic Discharge (ESD) Sensitivity Testing Human Body Model (HBM)*.
2. Determined according to JEDEC Standard JESD22-C101, *Field-Induced Charged-Device Model Test Method for Electrostatic-Discharge-Withstand Thresholds of Microelectronic Components*.

## 5.4 Voltage and current operating ratings

Absolute maximum ratings are stress ratings only, and functional operation at the maxima is not guaranteed. Stress beyond the limits specified in below table may affect device reliability or cause permanent damage to the device. For functional operating conditions, refer to the remaining tables in this document.

This device contains circuitry protecting against damage due to high static voltage or electrical fields; however, it is advised that normal precautions be taken to avoid application of any voltages higher than maximum-rated voltages to this high-impedance circuit. Reliability of operation is enhanced if unused inputs are tied to an appropriate logic voltage level (for instance, either  $V_{\text{SS}}$  or  $V_{\text{DD}}$ ) or the programmable pullup resistor associated with the pin is enabled.

Symbol	Description	Min.	Max.	Unit
$V_{\text{DD}}$	Supply voltage	-0.3	6.0	V
$I_{\text{DD}}$	Maximum current into $V_{\text{DD}}$	—	120	mA
$V_{\text{DIO}}$	Digital input voltage (except RESET, EXTAL, XTAL, or true open drain pin PTA2 and PTA3)	-0.3	$V_{\text{DD}} + 0.3$	V
	Digital input voltage (true open drain pin PTA2 and PTA3)	-0.3	6	V
$V_{\text{AIO}}$	Analog <sup>1</sup> , RESET, EXTAL, and XTAL input voltage	-0.3	$V_{\text{DD}} + 0.3$	V
$I_{\text{D}}$	Instantaneous maximum current single pin limit (applies to all port pins)	-25	25	mA
$V_{\text{DDA}}$	Analog supply voltage	$V_{\text{DD}} - 0.3$	$V_{\text{DD}} + 0.3$	V

1. All digital I/O pins, except open-drain pin PTA2 and PTA3, are internally clamped to  $V_{\text{SS}}$  and  $V_{\text{DD}}$ . PTA2 and PTA3 is only clamped to  $V_{\text{SS}}$ .

## 6 General

### 6.1 Nonswitching electrical specifications

#### 6.1.1 DC characteristics

This section includes information about power supply requirements and I/O pin characteristics.

**Table 3. DC characteristics**

Symbol	C	Descriptions		Min	Typical <sup>1</sup>	Max	Unit
—	—	Operating voltage		—	2.7	—	5.5 V
V <sub>OH</sub>	P	Output high voltage	All I/O pins, standard-drive strength	5 V, I <sub>load</sub> = -5 mA	V <sub>DD</sub> - 0.8	—	—
	C			3 V, I <sub>load</sub> = -2.5 mA	V <sub>DD</sub> - 0.8	—	—
	P	High current drive pins, high-drive strength <sup>2</sup>	5 V, I <sub>load</sub> = -20 mA	V <sub>DD</sub> - 0.8	—	—	
	C		3 V, I <sub>load</sub> = -10 mA	V <sub>DD</sub> - 0.8	—	—	
I <sub>OHT</sub>	D	Output high current	Max total I <sub>OH</sub> for all ports	5 V	—	—	-100 mA
				3 V	—	—	-50
V <sub>OL</sub>	P	Output low voltage	All I/O pins, standard-drive strength	5 V, I <sub>load</sub> = 5 mA	—	—	0.8 V
	C			3 V, I <sub>load</sub> = 2.5 mA	—	—	0.8 V
	P	High current drive pins, high-drive strength <sup>2</sup>	5 V, I <sub>load</sub> = 20 mA	—	—	0.8 V	
	C		3 V, I <sub>load</sub> = 10 mA	—	—	0.8 V	
I <sub>OLT</sub>	D	Output low current	Max total I <sub>OL</sub> for all ports	5 V	—	—	100 mA
				3 V	—	—	50
V <sub>IH</sub>	P	Input high voltage	All digital inputs	V <sub>DD</sub> > 4.5V	0.70 × V <sub>DD</sub>	—	—
	C			V <sub>DD</sub> > 2.7V	0.75 × V <sub>DD</sub>	—	—
V <sub>IL</sub>	P	Input low voltage	All digital inputs	V <sub>DD</sub> > 4.5V	—	—	0.30 × V <sub>DD</sub>
	C			V <sub>DD</sub> > 2.7V	—	—	0.35 × V <sub>DD</sub>
V <sub>hys</sub>	C	Input hysteresis	All digital inputs	—	0.06 × V <sub>DD</sub>	—	mV
I <sub>IN</sub>	P	Input leakage current	All input only pins (per pin)	V <sub>IN</sub> = V <sub>DD</sub> or V <sub>SS</sub>	—	0.1	1 μA

Table continues on the next page...

**Table 3. DC characteristics (continued)**

Symbol	C	Descriptions			Min	Typical <sup>1</sup>	Max	Unit
I <sub>OZ</sub>	P	Hi-Z (off-state) leakage current	All input/output (per pin)	V <sub>IN</sub> = V <sub>DD</sub> or V <sub>SS</sub>	—	0.1	1	μA
I <sub>OZTOT</sub>	C	Total leakage combined for all inputs and Hi-Z pins	All input only and I/O	V <sub>IN</sub> = V <sub>DD</sub> or V <sub>SS</sub>	—	—	2	μA
R <sub>PU</sub>	P	Pullup resistors	All digital inputs, when enabled (all I/O pins other than PTA2 and PTA3)	—	30.0	—	50.0	kΩ
R <sub>PU</sub> <sup>3</sup>	P	Pullup resistors	PTA2 and PTA3 pin	—	30.0	—	60.0	kΩ
I <sub>IC</sub>	D	DC injection current <sup>4, 5, 6</sup>	Single pin limit	V <sub>IN</sub> < V <sub>SS</sub> , V <sub>IN</sub> > V <sub>DD</sub>	-0.2	—	2	mA
			Total MCU limit, includes sum of all stressed pins		-5	—	25	
C <sub>in</sub>	C	Input capacitance, all pins			—	—	7	pF
V <sub>RAM</sub>	C	RAM retention voltage			—	2.0	—	V

1. Typical values are measured at 25 °C. Characterized, not tested.
2. Only PTB4, PTB5, PTD0, PTD1, PTE0, PTE1, PTH0, and PTH1 support ultra high current output.
3. The specified resistor value is the actual value internal to the device. The pullup value may appear higher when measured externally on the pin.
4. All functional non-supply pins, except for PTA2 and PTA3, are internally clamped to V<sub>SS</sub> and V<sub>DD</sub>.
5. Input must be current-limited to the value specified. To determine the value of the required current-limiting resistor, calculate resistance values for positive and negative clamp voltages, then use the large one.
6. Power supply must maintain regulation within operating V<sub>DD</sub> range during instantaneous and operating maximum current conditions. If the positive injection current (V<sub>in</sub> > V<sub>DD</sub>) is higher than I<sub>DD</sub>, the injection current may flow out of V<sub>DD</sub> and could result in external power supply going out of regulation. Ensure that external V<sub>DD</sub> load will shunt current higher than maximum injection current when the MCU is not consuming power, such as no system clock is present, or clock rate is very low (which would reduce overall power consumption).

**Table 4. LVD and POR Specification**

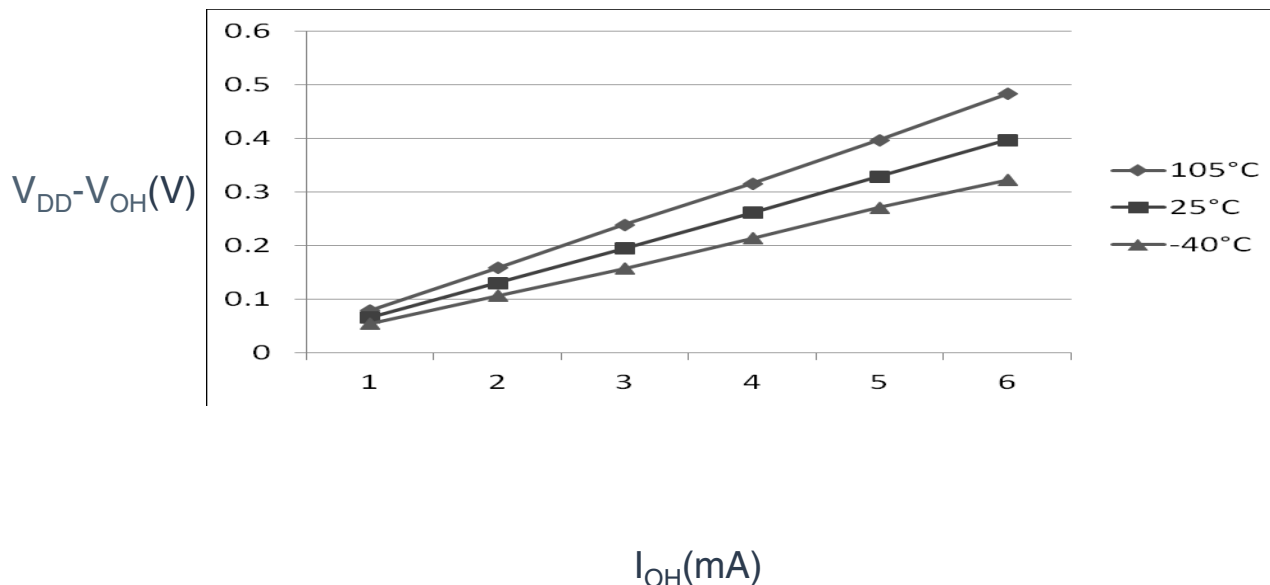
Symbol	C	Description		Min	Typ	Max	Unit
V <sub>POR</sub>	D	POR re-arm voltage <sup>1, 2</sup>		1.5	1.75	2.0	V
V <sub>LVDH</sub>	C	Falling low-voltage detect threshold - high range (LVDV = 1) <sup>3</sup>		4.2	4.3	4.4	V
V <sub>LWV1H</sub>	C	Falling low-voltage warning threshold - high range	Level 1 falling (LVWV = 00)	4.3	4.4	4.5	V
V <sub>LWV2H</sub>	C		Level 2 falling (LVWV = 01)	4.5	4.5	4.6	V
V <sub>LWV3H</sub>	C		Level 3 falling (LVWV = 10)	4.6	4.6	4.7	V
V <sub>LWV4H</sub>	C		Level 4 falling (LVWV = 11)	4.7	4.7	4.8	V

Table continues on the next page...

**Table 4. LVD and POR Specification (continued)**

Symbol	C	Description	Min	Typ	Max	Unit	
V <sub>HYSH</sub>	C	High range low-voltage detect/warning hysteresis	—	100	—	mV	
V <sub>LVDL</sub>	C	Falling low-voltage detect threshold - low range (LVDV = 0)	2.56	2.61	2.66	V	
V <sub>LVDW1L</sub>	C	Falling low-voltage warning threshold - low range	Level 1 falling (LVWV = 00)	2.62	2.7	2.78	V
V <sub>LVDW2L</sub>	C		Level 2 falling (LVWV = 01)	2.72	2.8	2.88	V
V <sub>LVDW3L</sub>	C		Level 3 falling (LVWV = 10)	2.82	2.9	2.98	V
V <sub>LVDW4L</sub>	C		Level 4 falling (LVWV = 11)	2.92	3.0	3.08	V
V <sub>HYSDL</sub>	C	Low range low-voltage detect hysteresis	—	40	—	mV	
V <sub>HYSWL</sub>	C	Low range low-voltage warning hysteresis	—	80	—	mV	
V <sub>BG</sub>	P	Buffered bandgap output <sup>4</sup>	1.14	1.16	1.18	V	

1. Maximum is highest voltage that POR is guaranteed.
2. POR ramp time must be longer than 20us/V to get a stable startup.
3. Rising thresholds are falling threshold + hysteresis.
4. Voltage factory trimmed at V<sub>DD</sub> = 5.0 V, Temp = 25 °C



**Figure 2. Typical I<sub>OH</sub> Vs. V<sub>DD</sub>-V<sub>OH</sub> (standard drive strength) (V<sub>DD</sub> = 5 V)**



Figure 3. Typical  $I_{OH}$  Vs.  $V_{DD}-V_{OH}$  (standard drive strength) ( $V_{DD} = 3\text{ V}$ )



Figure 4. Typical  $I_{OH}$  Vs.  $V_{DD}-V_{OH}$  (high drive strength) ( $V_{DD} = 5\text{ V}$ )



Figure 5. Typical  $I_{OH}$  Vs.  $V_{DD} - V_{OH}$  (high drive strength) ( $V_{DD} = 3\text{ V}$ )



Figure 6. Typical  $I_{OL}$  Vs.  $V_{OL}$  (standard drive strength) ( $V_{DD} = 5\text{ V}$ )

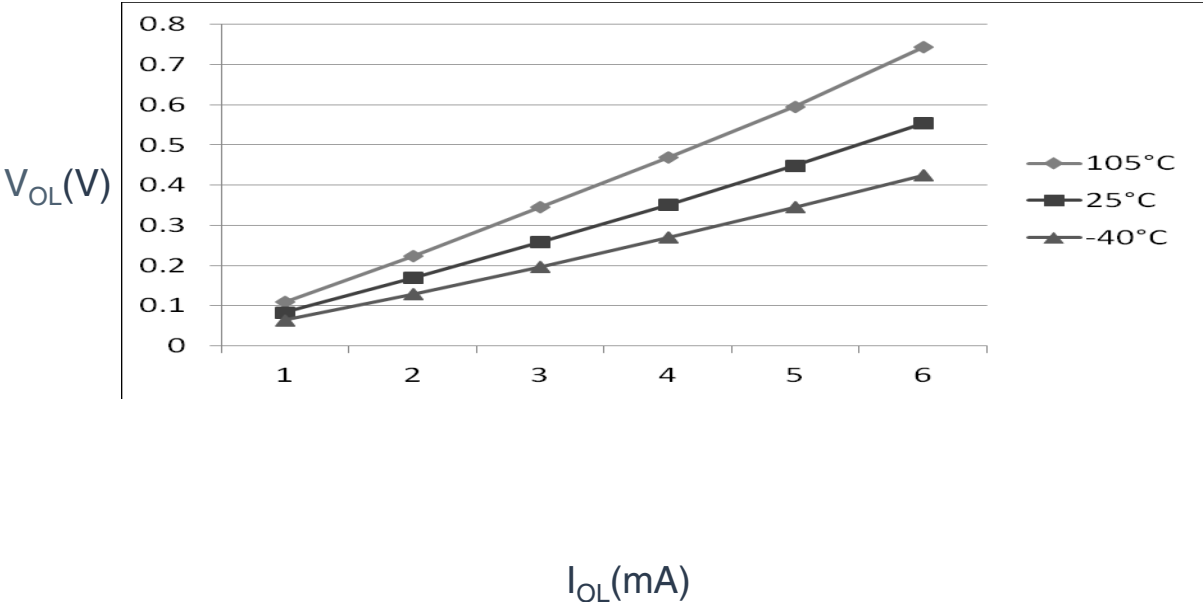


Figure 7. Typical  $I_{OL}$  Vs.  $V_{OL}$  (standard drive strength) ( $V_{DD} = 3\text{ V}$ )

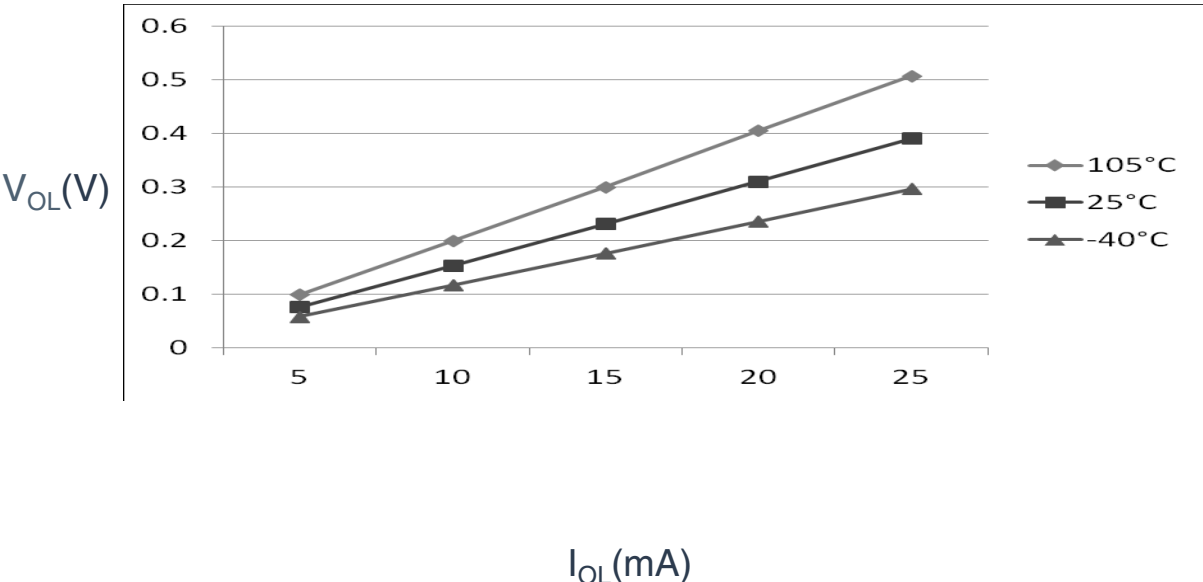


Figure 8. Typical  $I_{OL}$  Vs.  $V_{OL}$  (high drive strength) ( $V_{DD} = 5\text{ V}$ )



Figure 9. Typical  $I_{OL}$  Vs.  $V_{OL}$  (high drive strength) ( $V_{DD} = 3V$ )

### 6.1.2 Supply current characteristics

This section includes information about power supply current in various operating modes.

Table 5. Supply current characteristics

Num	C	Parameter	Symbol	Bus Freq	$V_{DD}$ (V)	Typical <sup>1</sup>	Max	Unit	Temp
1	C	Run supply current FEI mode, all modules on; run from flash	$R_{I_{DD}}$	20 MHz	5	12.6	—	mA	-40 to 105 °C
	C			10 MHz		7.2	—		
	C			1 MHz		2.4	—		
	C			20 MHz	3	9.6	—		
	C			10 MHz		6.1	—		
	C			1 MHz		2.1	—		
2	C	Run supply current FEI mode, all modules off & gated; run from flash	$R_{I_{DD}}$	20 MHz	5	10.5	—	mA	-40 to 105 °C
	C			10 MHz		6.2	—		
	C			1 MHz		2.3	—		
	C			20 MHz	3	7.4	—		
	C			10 MHz		5.0	—		
	C			1 MHz		2.0	—		
3	P	Run supply current FBE mode, all modules on; run from RAM	$R_{I_{DD}}$	20 MHz	5	12.1	14.8	mA	-40 to 105 °C
	C			10 MHz		6.5	—		
	C			1 MHz		1.8	—		

Table continues on the next page...



Table 5. Supply current characteristics (continued)

Num	C	Parameter	Symbol	Bus Freq	V <sub>DD</sub> (V)	Typical <sup>1</sup>	Max	Unit	Temp
	P			20 MHz	3	9.1	11.8		
	C			10 MHz		5.5	—		
	C			1 MHz		1.5	—		
4	P	Run supply current FBE mode, all modules off & gated; run from RAM	R <sub>I</sub> DD	20 MHz	5	9.8	12.3	mA	-40 to 105 °C
	C			10 MHz		5.4	—		
				1 MHz		1.6	—		
	P			20 MHz	3	6.9	9.2		
	C			10 MHz		4.4	—		
				1 MHz		1.4	—		
5	C	Wait mode current FEI mode, all modules on	W <sub>I</sub> DD	20 MHz	5	7.8	—	mA	-40 to 105 °C
	C			10 MHz		4.5	—		
				1 MHz		1.3	—		
	C			20 MHz	3	5.1	—		
				10 MHz		3.5	—		
				1 MHz		1.2	—		
6	C	Stop3 mode supply current no clocks active (except 1 kHz LPO clock) <sup>2,3</sup>	S3I <sub>DD</sub>	—	5	1.45	—	μA	-40 to 105 °C
	C			—	3	1.4	—		-40 to 105 °C
7	C	ADC adder to stop3	—	—	5	44	—	μA	-40 to 105 °C
	C	ADLPC = 1 ADLSMP = 1 ADCO = 1 MODE = 10B ADICLK = 11B	—	—	3	40	—		
8	C	LVD adder to stop3 <sup>4</sup>	—	—	5	130	—	μA	-40 to 105 °C
	C				3	125	—		

1. Data in Typical column was characterized at 5.0 V, 25 °C or is typical recommended value.
2. RTC adder cause <1 μA I<sub>DD</sub> increase typically, RTC clock source is 1 kHz LPO clock.
3. ACMP adder cause <10 μA I<sub>DD</sub> increase typically.
4. LVD is periodically woken up from stop3 by 5% duty cycle. The period is equal to or less than 2 ms.

### 6.1.3 EMC performance

Electromagnetic compatibility (EMC) performance is highly dependent on the environment in which the MCU resides. Board design and layout, circuit topology choices, location and characteristics of external components as well as MCU software operation all play a significant role in EMC performance. The system designer should consult NXP applications notes such as [AN2321](#), [AN1050](#), [AN1263](#), [AN2764](#), and [AN1259](#) for advice and guidance specifically targeted at optimizing EMC performance.

### 6.1.3.1 EMC radiated emissions operating behaviors

Table 6. EMC radiated emissions operating behaviors for 64-pin SOIC package

Symbol	Description	Frequency band (MHz)	Typ.	Unit	Notes
V <sub>RE1</sub>	Radiated emissions voltage, band 1	0.15–50	12	dB $\mu$ V	1, 2
V <sub>RE2</sub>	Radiated emissions voltage, band 2	50–150	10	dB $\mu$ V	
V <sub>RE3</sub>	Radiated emissions voltage, band 3	150–500	4	dB $\mu$ V	
V <sub>RE4</sub>	Radiated emissions voltage, band 4	500–1000	5	dB $\mu$ V	
V <sub>RE_IEC</sub>	IEC level	0.15–1000	N	—	2, 3

1. Determined according to IEC Standard 61967-1, *Integrated Circuits - Measurement of Electromagnetic Emissions, 150 kHz to 1 GHz Part 1: General Conditions and Definitions* and IEC Standard 61967-2, *Integrated Circuits - Measurement of Electromagnetic Emissions, 150 kHz to 1 GHz Part 2: Measurement of Radiated Emissions—TEM Cell and Wideband TEM Cell Method*. Measurements were made while the microcontroller was running basic application code. The reported emission level is the value of the maximum measured emission, rounded up to the next whole number, from among the measured orientations in each frequency range.
2. V<sub>DD</sub> = 5.0 V, T<sub>A</sub> = 25 °C, f<sub>OSC</sub> = 10 MHz (crystal), f<sub>SYS</sub> = 20 MHz, f<sub>BUS</sub> = 20 MHz
3. Specified according to Annex D of IEC Standard 61967-2, *Measurement of Radiated Emissions—TEM Cell and Wideband TEM Cell Method*

## 6.2 Switching specifications

### 6.2.1 Control timing

Table 7. Control timing

Num	C	Rating	Symbol	Min	Typical <sup>1</sup>	Max	Unit
1	P	Bus frequency (t <sub>cyc</sub> = 1/f <sub>Bus</sub> )	f <sub>Bus</sub>	DC	—	20	MHz
2	P	Internal low power oscillator frequency	f <sub>LPO</sub>	0.67	1.0	1.25	KHz
3	D	External reset pulse width <sup>2</sup>	t <sub>extrst</sub>	1.5 × t <sub>cyc</sub>	—	—	ns
4	D	Reset low drive	t <sub>rstdrv</sub>	34 × t <sub>cyc</sub>	—	—	ns
5	D	BKGD/MS setup time after issuing background debug force reset to enter user or BDM modes	t <sub>MSSU</sub>	500	—	—	ns
6	D	BKGD/MS hold time after issuing background debug force reset to enter user or BDM modes <sup>3</sup>	t <sub>MSH</sub>	100	—	—	ns
7	D	IRQ pulse width	Asynchronous path <sup>2</sup>	t <sub>LIH</sub>	100	—	ns
	D		Synchronous path <sup>4</sup>	t <sub>HIL</sub>	1.5 × t <sub>cyc</sub>	—	ns
8	D	Keyboard interrupt pulse width	Asynchronous path <sup>2</sup>	t <sub>LIH</sub>	100	—	ns
	D		Synchronous path	t <sub>HIL</sub>	1.5 × t <sub>cyc</sub>	—	ns

Table continues on the next page...

Table 7. Control timing (continued)

Num	C	Rating	Symbol	Min	Typical <sup>1</sup>	Max	Unit
9	C	Port rise and fall time - standard drive strength (load = 50 pF) <sup>5</sup>	$t_{Rise}$	—	10.2	—	ns
	C		$t_{Fall}$	—	9.5	—	ns
	C	Port rise and fall time - high drive strength (load = 50 pF) <sup>5</sup>	$t_{Rise}$	—	5.4	—	ns
	C		$t_{Fall}$	—	4.6	—	ns

1. Typical values are based on characterization data at  $V_{DD} = 5.0\text{ V}$ ,  $25\text{ }^{\circ}\text{C}$  unless otherwise stated.
2. This is the shortest pulse that is guaranteed to be recognized as a reset pin request.
3. To enter BDM mode following a POR, BKGD/MS must be held low during the powerup and for a hold time of  $t_{MSh}$  after  $V_{DD}$  rises above  $V_{LVD}$ .
4. This is the minimum pulse width that is guaranteed to pass through the pin synchronization circuitry. Shorter pulses may or may not be recognized. In stop mode, the synchronizer is bypassed so shorter pulses can be recognized.
5. Timing is shown with respect to 20%  $V_{DD}$  and 80%  $V_{DD}$  levels in operating temperature range.

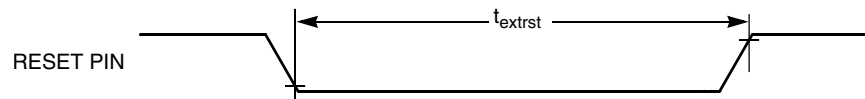


Figure 10. Reset timing

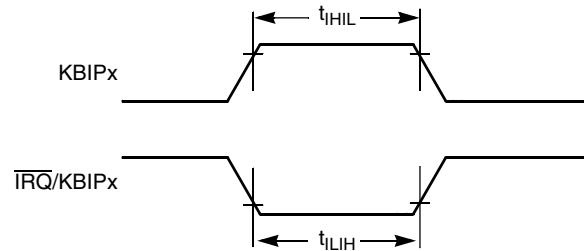


Figure 11. IRQ/KBIPx timing

## 6.2.2 Debug trace timing specifications

Table 8. Debug trace operating behaviors

Symbol	Description	Min.	Max.	Unit
$t_{cyc}$	Clock period	Frequency dependent		MHz
$t_{wl}$	Low pulse width	2	—	ns
$t_{wh}$	High pulse width	2	—	ns
$t_r$	Clock and data rise time	—	3	ns
$t_f$	Clock and data fall time	—	3	ns
$t_s$	Data setup	3	—	ns
$t_h$	Data hold	2	—	ns

## Switching specifications

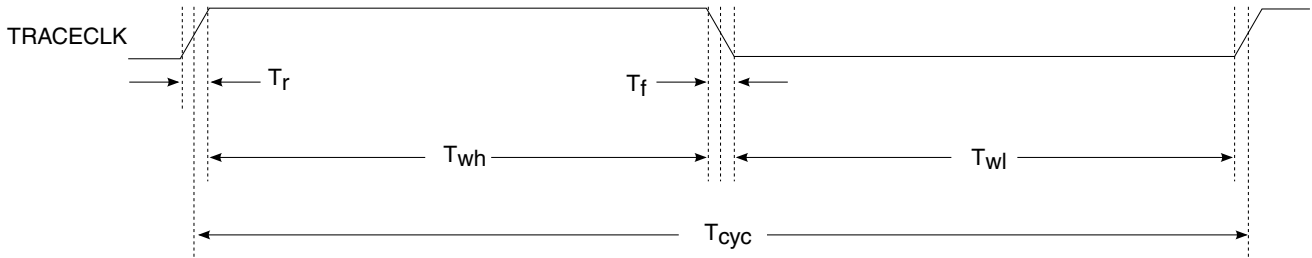


Figure 12. TRACE\_CLKOUT specifications

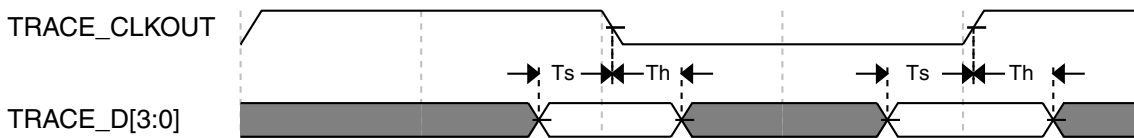


Figure 13. Trace data specifications

### 6.2.3 FTM module timing

Synchronizer circuits determine the shortest input pulses that can be recognized or the fastest clock that can be used as the optional external source to the timer counter. These synchronizers operate from the current bus rate clock.

Table 9. FTM input timing

No.	C	Function	Symbol	Min	Max	Unit
1	D	External clock frequency	$f_{TCLK}$	0	$f_{Bus}/4$	Hz
2	D	External clock period	$t_{TCLK}$	4	—	$t_{cyc}$
3	D	External clock high time	$t_{clkh}$	1.5	—	$t_{cyc}$
4	D	External clock low time	$t_{clkl}$	1.5	—	$t_{cyc}$
5	D	Input capture pulse width	$t_{ICPW}$	1.5	—	$t_{cyc}$

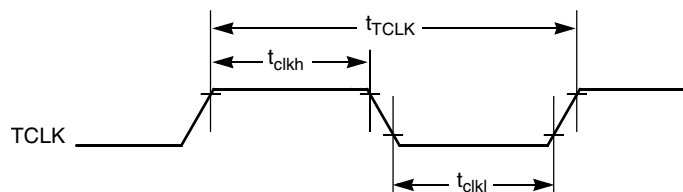


Figure 14. Timer external clock

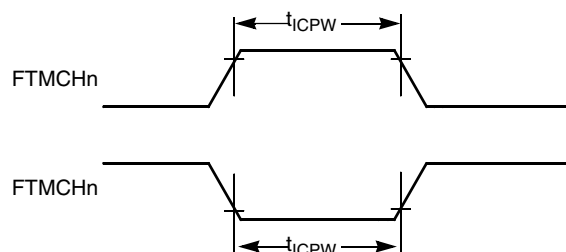


Figure 15. Timer input capture pulse

## 6.3 Thermal specifications

### 6.3.1 Thermal operating requirements

Table 10. Thermal operating requirements

Symbol	Description	Min.	Max.	Unit
$T_J$	Die junction temperature	-40	125	°C
$T_A$	Ambient temperature	-40	105	°C

#### NOTE

Maximum  $T_A$  can be exceeded only if the user ensures that  $T_J$  does not exceed the maximum. The simplest method to determine  $T_J$  is:  $T_J = T_A + R_{\theta JA} \times \text{chip power dissipation}$ .

### 6.3.2 Thermal characteristics

This section provides information about operating temperature range, power dissipation, and package thermal resistance. Power dissipation on I/O pins is usually small compared to the power dissipation in on-chip logic and voltage regulator circuits, and it is user-determined rather than being controlled by the MCU design. To take  $P_{I/O}$  into account in power calculations, determine the difference between actual pin voltage and  $V_{SS}$  or  $V_{DD}$  and multiply by the pin current for each I/O pin. Except in cases of unusually high pin current (heavy loads), the difference between pin voltage and  $V_{SS}$  or  $V_{DD}$  will be very small.

**Table 11. Thermal attributes**

Board type	Symbo l	Description	64 LQFP	64 QFP	48 LQFP	44 LQFP	32 LQFP	Unit	Notes
Single-layer (1S)	R <sub>θJA</sub>	Thermal resistance, junction to ambient (natural convection)	71	61	81	75	86	°C/W	1, 2
Four-layer (2s2p)	R <sub>θJA</sub>	Thermal resistance, junction to ambient (natural convection)	53	47	57	53	57	°C/W	1, 3
Single-layer (1S)	R <sub>θJMA</sub>	Thermal resistance, junction to ambient (200 ft./min. air speed)	59	50	68	62	72	°C/W	1, 3
Four-layer (2s2p)	R <sub>θJMA</sub>	Thermal resistance, junction to ambient (200 ft./min. air speed)	46	41	50	47	51	°C/W	1, 3
—	R <sub>θJB</sub>	Thermal resistance, junction to board	35	32	34	34	33	°C/W	4
—	R <sub>θJC</sub>	Thermal resistance, junction to case	20	23	24	20	24	°C/W	5
—	Ψ <sub>JT</sub>	Thermal characterization parameter, junction to package top outside center (natural convection)	5	8	6	5	6	°C/W	6

1. Junction temperature is a function of die size, on-chip power dissipation, package thermal resistance, mounting site (board) temperature, ambient temperature, air flow, power dissipation of other components on the board, and board thermal resistance.
2. Per JEDEC JESD51-2 with the single layer board (JESD51-3) horizontal.
3. Per JEDEC JESD51-6 with the board (JESD51-7) horizontal.
4. Thermal resistance between the die and the printed circuit board per JEDEC JESD51-8. Board temperature is measured on the top surface of the board near the package.
5. Thermal resistance between the die and the solder pad on the bottom of the package. Interface resistance is ignored.
6. Thermal characterization parameter indicating the temperature difference between package top and the junction temperature per JEDEC JESD51-2. When Greek letters are not available, the thermal characterization.

## 7 Peripheral operating requirements and behaviors

### 7.1 External oscillator (XOSC) and ICS characteristics

**Table 12. XOSC and ICS specifications (temperature range = -40 to 105 °C ambient)**

Num	C	Characteristic	Symbol	Min	Typical <sup>1</sup>	Max	Unit	
1	C	Oscillator crystal or resonator	Low range (RANGE = 0)	f <sub>lo</sub>	31.25	32.768	39.0625	kHz
	C		High range (RANGE = 1) FEE or FBE mode <sup>2</sup>	f <sub>hi</sub>	4	—	20	MHz
	C		High range (RANGE = 1), high gain (HGO = 1), FBELP mode	f <sub>hi</sub>	4	—	20	MHz

Table continues on the next page...

**Table 12. XOSC and ICS specifications (temperature range = -40 to 105 °C ambient)  
(continued)**

Num	C	Characteristic		Symbol	Min	Typical <sup>1</sup>	Max	Unit
	C		High range (RANGE = 1), low power (HGO = 0), FBELP mode	$f_{hi}$	4	—	20	MHz
2	D	Load capacitors		C1, C2	See Note <sup>3</sup>			
3	D	Feedback resistor	Low Frequency, Low-Power Mode <sup>4</sup>	$R_F$	—	—	—	MΩ
			Low Frequency, High-Gain Mode		—	10	—	MΩ
			High Frequency, Low-Power Mode		—	1	—	MΩ
			High Frequency, High-Gain Mode		—	1	—	MΩ
4	D	Series resistor - Low Frequency	Low-Power Mode <sup>4</sup>	$R_S$	—	—	—	kΩ
			High-Gain Mode		—	200	—	kΩ
5	D	Series resistor - High Frequency	Low-Power Mode <sup>4</sup>	$R_S$	—	—	—	kΩ
	D	Series resistor - High Frequency, High-Gain Mode	4 MHz		—	0	—	kΩ
	D		8 MHz		—	0	—	kΩ
	D		16 MHz		—	0	—	kΩ
6	C	Crystal start-up time Low range = 32.768 kHz crystal; High range = 20 MHz crystal <sup>5, 6</sup>	Low range, low power	$t_{CSTL}$	—	1000	—	ms
	C		Low range, high power		—	800	—	ms
	C		High range, low power	$t_{CSTH}$	—	3	—	ms
	C		High range, high power		—	1.5	—	ms
7	T	Internal reference start-up time		$t_{IRST}$	—	20	50	μs
8	D	Square wave input clock frequency	FEE or FBE mode <sup>2</sup>	$f_{extal}$	0.03125	—	5	MHz
	D		FBELP mode		0	—	20	MHz
9	P	Average internal reference frequency - trimmed		$f_{int\_t}$	—	32.768	—	kHz
10	P	DCO output frequency range - trimmed		$f_{dco\_t}$	16	—	20	MHz
11	P	Total deviation of DCO output from trimmed frequency <sup>5</sup>	Over full voltage and temperature range	$\Delta f_{dco\_t}$	—	—	±2.0	% $f_{dco}$
	C		Over fixed voltage and temperature range of 0 to 70 °C		—	—	±1.0	
12	C	FLL acquisition time <sup>5, 7</sup>		$t_{Acquire}$	—	—	2	ms
13	C	Long term jitter of DCO output clock (averaged over 2 ms interval) <sup>8</sup>		$C_{Jitter}$	—	0.02	0.2	% $f_{dco}$

1. Data in Typical column was characterized at 5.0 V, 25 °C or is typical recommended value.

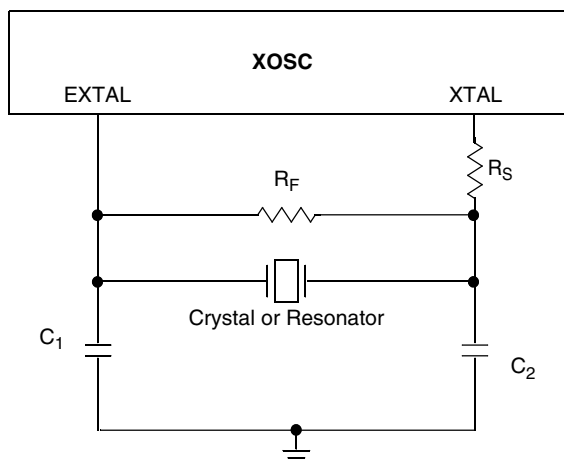
2. When ICS is configured for FEE or FBE mode, input clock source must be divisible using RDIV to within the range of 31.25 kHz to 39.0625 kHz.

3. See crystal or resonator manufacturer's recommendation.

4. Load capacitors ( $C_1, C_2$ ), feedback resistor ( $R_F$ ) and series resistor ( $R_S$ ) are incorporated internally when RANGE = HGO = 0.

## Peripheral operating requirements and behaviors

5. This parameter is characterized and not tested on each device.
6. Proper PC board layout procedures must be followed to achieve specifications.
7. This specification applies to any time the FLL reference source or reference divider is changed, trim value changed, or changing from FLL disabled (FBELP, FBILP) to FLL enabled (FEI, FEE, FBE, FBI). If a crystal/resonator is being used as the reference, this specification assumes it is already running.
8. Jitter is the average deviation from the programmed frequency measured over the specified interval at maximum  $f_{Bus}$ . Measurements are made with the device powered by filtered supplies and clocked by a stable external clock signal. Noise injected into the FLL circuitry via  $V_{DD}$  and  $V_{SS}$  and variation in crystal oscillator frequency increase the  $C_{Jitter}$  percentage for a given interval.



**Figure 16. Typical crystal or resonator circuit**

## 7.2 NVM specifications

This section provides details about program/erase times and program/erase endurance for the flash and EEPROM memories.

**Table 13. Flash clock characteristics**

C	Characteristic	Symbol	Min	Typical	Max	Unit
D	Supply voltage for program/erase across the operating temperature range	$V_{prog/erase}$	2.7	—	5.5	V
D	Supply voltage for read operation	$V_{Read}$	2.7	—	5.5	V
D	NVM Bus frequency	$f_{NVMBUS}$	1	—	20	MHz
D	NVM operating frequency	$f_{NVMOP}$	0.8	1.0	1.05	MHz
C	FLASH Program/erase endurance $T_L$ to $T_H$ in the operating temperature range	$n_{FLPE}$	10 k	100 k	—	Cycles
C	EEPROM Program/erase endurance $T_L$ to $T_H$ in the operating temperature range	$n_{FLPE}$	50 k	500 k	—	Cycles
C	Data retention at an average junction temperature of $T_{Javg} = 85^\circ\text{C}$ after up to 10,000 program/erase cycles	$t_{D-ret}$	15	100	—	years



All timing parameters are a function of the bus clock frequency,  $f_{\text{NVMBUS}}$ . All program and erase times are also a function of the NVM operating frequency,  $f_{\text{NVMOP}}$ .

Each command timing is given by:

$$t_{\text{command}} = f_{\text{NVMOP}} \text{ cycle} \times 1/f_{\text{NVMOP}} + f_{\text{NVMBUS}} \text{ cycle} \times 1/f_{\text{NVMBUS}}$$

**Table 14. Flash timing characteristics**

C	Characteristic	Symbol	$f_{\text{NVMOP}}$ cycle	$f_{\text{NVMBUS}}$ cycle
D	Erase Verify All Blocks	$t_{\text{VFYALL}}$	—	17338
D	Erase Verify Flash Block	$t_{\text{RD1BLK}}$	—	16913
D	Erase Verify EEPROM Block	$t_{\text{RD1BLK}}$	—	810
D	Erase Verify Flash Section	$t_{\text{RD1SEC}}$	—	484
D	Erase Verify EEPROM Section	$t_{\text{DRD1SEC}}$	—	555
D	Read Once	$t_{\text{RDONCE}}$	—	450
D	Program Flash (2 word)	$t_{\text{PGM2}}$	68	1397
D	Program Flash (4 word)	$t_{\text{PGM4}}$	122	2128
D	Program Once	$t_{\text{PGMONCE}}$	122	2090
D	Program EEPROM (1 Byte)	$t_{\text{DPGM1}}$	47	1371
D	Program EEPROM (2 Byte)	$t_{\text{DPGM2}}$	94	2120
D	Program EEPROM (3 Byte)	$t_{\text{DPGM3}}$	141	2869
D	Program EEPROM (4 Byte)	$t_{\text{DPGM4}}$	188	3618
D	Erase All Blocks	$t_{\text{ERSALL}}$	100066	17743
D	Erase Flash Block	$t_{\text{ERSBLK}}$	100060	17236
D	Erase Flash Sector	$t_{\text{ERSPG}}$	20015	868
D	Erase EEPROM Sector	$t_{\text{DERSPG}}$	5015	756
D	Unsecure Flash	$t_{\text{UNSECU}}$	100066	17730
D	Verify Backdoor Access Key	$t_{\text{VFYKEY}}$	—	464
D	Set User Margin Level	$t_{\text{MLOADU}}$	—	407

Program and erase operations do not require any special power sources other than the normal  $V_{\text{DD}}$  supply. For more detailed information about program/erase operations, see the Memory section.

## 7.3 Analog

## 7.3.1 ADC characteristics

**Table 15. 5 V 12-bit ADC operating conditions**

Characteristic	Conditions	Symb	Min	Typ <sup>1</sup>	Max	Unit	Comment
Supply voltage	Absolute	$V_{DDA}$	2.7	—	5.5	V	—
	Delta to $V_{DD}$ ( $V_{DD}-V_{DDAD}$ )	$\Delta V_{DDA}$	-100	0	+100	mV	
Ground voltage	Delta to $V_{SS}$ ( $V_{SS}-V_{SSA}$ ) <sup>2</sup>	$\Delta V_{SSA}$	-100	0	+100	mV	
Input voltage		$V_{ADIN}$	$V_{REFL}$	—	$V_{REFH}$	V	
Input capacitance		$C_{ADIN}$	—	4.5	5.5	pF	
Input resistance		$R_{ADIN}$	—	3	5	k $\Omega$	—
Analog source resistance	12-bit mode	$R_{AS}$	—	—	2	k $\Omega$	External to MCU
	• $f_{ADCK} > 4$ MHz		—	—	5		
	• $f_{ADCK} < 4$ MHz		—	—	5		
10-bit mode	—	—	5	k $\Omega$	External to MCU		
• $f_{ADCK} > 4$ MHz	—	—	10				
• $f_{ADCK} < 4$ MHz	—	—	10				
8-bit mode (all valid $f_{ADCK}$ )	—	—	10				
ADC conversion clock frequency	High speed (ADLPC=0)	$f_{ADCK}$	0.4	—	8.0	MHz	—
	Low power (ADLPC=1)		0.4	—	4.0		

1. Typical values assume  $V_{DDA} = 5.0$  V, Temp = 25°C,  $f_{ADCK}=1.0$  MHz unless otherwise stated. Typical values are for reference only and are not tested in production.
2. DC potential difference.

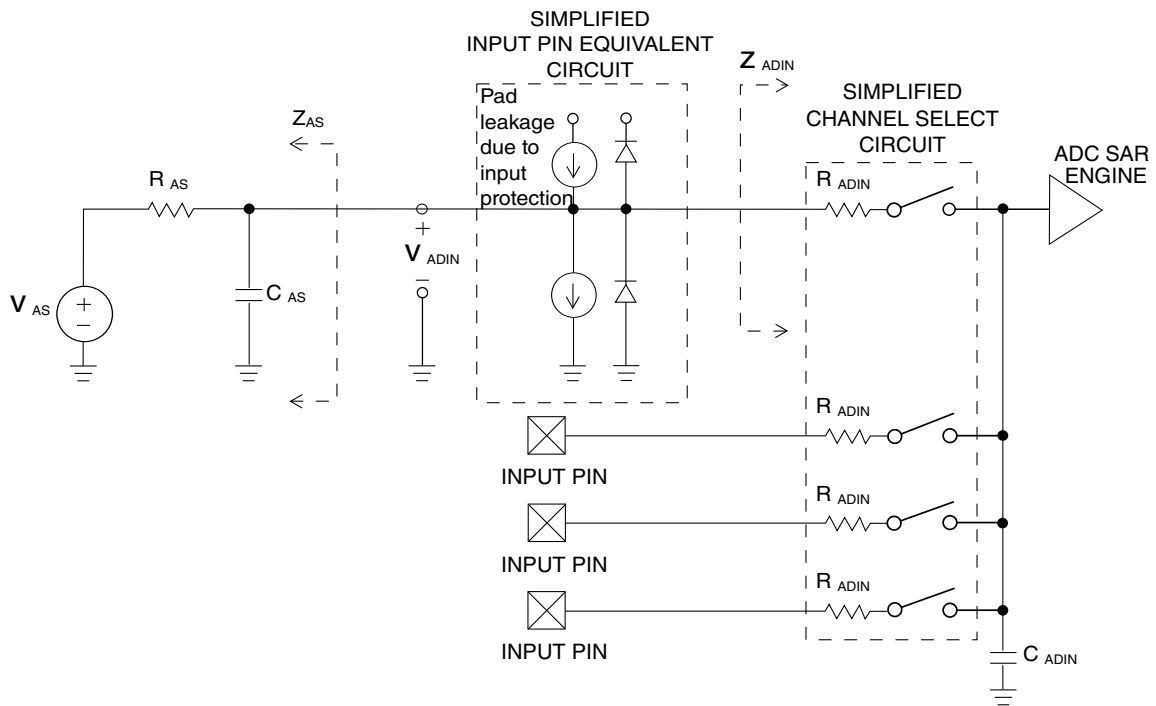


Figure 17. ADC input impedance equivalency diagram

Table 16. 12-bit ADC Characteristics ( $V_{REFH} = V_{DDA}$ ,  $V_{REFL} = V_{SSA}$ )

Characteristic	Conditions	C	Symb	Min	Typ <sup>1</sup>	Max	Unit
Supply current ADLPC = 1 ADLSMP = 1 ADCO = 1		T	$I_{DDA}$	—	133	—	$\mu\text{A}$
Supply current ADLPC = 1 ADLSMP = 0 ADCO = 1		T	$I_{DDA}$	—	218	—	$\mu\text{A}$
Supply current ADLPC = 0 ADLSMP = 1 ADCO = 1		T	$I_{DDA}$	—	327	—	$\mu\text{A}$
Supply current ADLPC = 0 ADLSMP = 0 ADCO = 1		T	$I_{DDAD}$	—	582	990	$\mu\text{A}$
Supply current	Stop, reset, module off	T	$I_{DDA}$	—	0.011	1	$\mu\text{A}$
ADC asynchronous clock source	High speed (ADLPC = 0)	P	$f_{ADACK}$	2	3.3	5	MHz

Table continues on the next page...

**Table 16. 12-bit ADC Characteristics ( $V_{REFH} = V_{DDA}$ ,  $V_{REFL} = V_{SSA}$ ) (continued)**

Characteristic	Conditions	C	Symb	Min	Typ <sup>1</sup>	Max	Unit
	Low power (ADLPC = 1)			1.25	2	3.3	
Conversion time (including sample time)	Short sample (ADLSMP = 0)	T	$t_{ADC}$	—	20	—	ADCK cycles
	Long sample (ADLSMP = 1)			—	40	—	
Sample time	Short sample (ADLSMP = 0)	T	$t_{ADS}$	—	3.5	—	ADCK cycles
	Long sample (ADLSMP = 1)			—	23.5	—	
Total unadjusted Error <sup>2</sup>	12-bit mode	T	$E_{TUE}$	—	$\pm 5.0$	—	LSB <sup>3</sup>
	10-bit mode	P		—	$\pm 1.5$	$\pm 2.0$	
	8-bit mode	P		—	$\pm 0.7$	$\pm 1.0$	
Differential Non-Linearity	12-bit mode	T	DNL	—	$\pm 1.0$	—	LSB <sup>3</sup>
	10-bit mode <sup>4</sup>	P		—	$\pm 0.25$	$\pm 0.5$	
	8-bit mode <sup>4</sup>	P		—	$\pm 0.15$	$\pm 0.25$	
Integral Non-Linearity	12-bit mode	T	INL	—	$\pm 1.0$	—	LSB <sup>3</sup>
	10-bit mode	T		—	$\pm 0.3$	$\pm 0.5$	
	8-bit mode	T		—	$\pm 0.15$	$\pm 0.25$	
Zero-scale error <sup>5</sup>	12-bit mode	C	$E_{ZS}$	—	$\pm 2.0$	—	LSB <sup>3</sup>
	10-bit mode	P		—	$\pm 0.25$	$\pm 1.0$	
	8-bit mode	P		—	$\pm 0.65$	$\pm 1.0$	
Full-scale error <sup>6</sup>	12-bit mode	T	$E_{FS}$	—	$\pm 2.5$	—	LSB <sup>3</sup>
	10-bit mode	T		—	$\pm 0.5$	$\pm 1.0$	
	8-bit mode	T		—	$\pm 0.5$	$\pm 1.0$	
Quantization error	$\leq 12$ bit modes	D	$E_Q$	—	—	$\pm 0.5$	LSB <sup>3</sup>
Input leakage error <sup>7</sup>	all modes	D	$E_{IL}$	$I_{in} * R_{AS}$			mV
Temp sensor slope	-40°C– 25°C	D	m	—	3.266	—	mV/°C
	25°C– 125°C			—	3.638	—	
Temp sensor voltage	25°C	D	$V_{TEMP25}$	—	1.396	—	V

1. Typical values assume  $V_{DDA} = 5.0$  V, Temp = 25°C,  $f_{ADCK} = 1.0$  MHz unless otherwise stated. Typical values are for reference only and are not tested in production.
2. Includes quantization.
3.  $1 \text{ LSB} = (V_{REFH} - V_{REFL})/2^N$
4. Monotonicity and no-missing-codes guaranteed in 10-bit and 8-bit modes
5.  $V_{ADIN} = V_{SSA}$
6.  $V_{ADIN} = V_{DDA}$
7.  $I_{in}$  = leakage current (refer to DC characteristics)

## 7.3.2 Analog comparator (ACMP) electricals

**Table 17. Comparator electrical specifications**

C	Characteristic	Symbol	Min	Typical	Max	Unit
D	Supply voltage	$V_{DDA}$	2.7	—	5.5	V
T	Supply current (Operation mode)	$I_{DDA}$	—	10	20	$\mu$ A
D	Analog input voltage	$V_{AIN}$	$V_{SS} - 0.3$	—	$V_{DDA}$	V
P	Analog input offset voltage	$V_{AIO}$	—	—	40	mV
C	Analog comparator hysteresis (HYST=0)	$V_H$	—	15	20	mV
C	Analog comparator hysteresis (HYST=1)	$V_H$	—	20	30	mV
T	Supply current (Off mode)	$I_{DDAOFF}$	—	60	—	nA
C	Propagation Delay	$t_D$	—	0.4	1	$\mu$ s

## 7.4 Communication interfaces

### 7.4.1 SPI switching specifications

The serial peripheral interface (SPI) provides a synchronous serial bus with master and slave operations. Many of the transfer attributes are programmable. The following tables provide timing characteristics for classic SPI timing modes. Refer to the SPI chapter of the chip's reference manual for information about the modified transfer formats used for communicating with slower peripheral devices. All timing is shown with respect to 20%  $V_{DD}$  and 70%  $V_{DD}$ , unless noted, and 100 pF load on all SPI pins. All timing assumes high drive strength is enabled for SPI output pins.

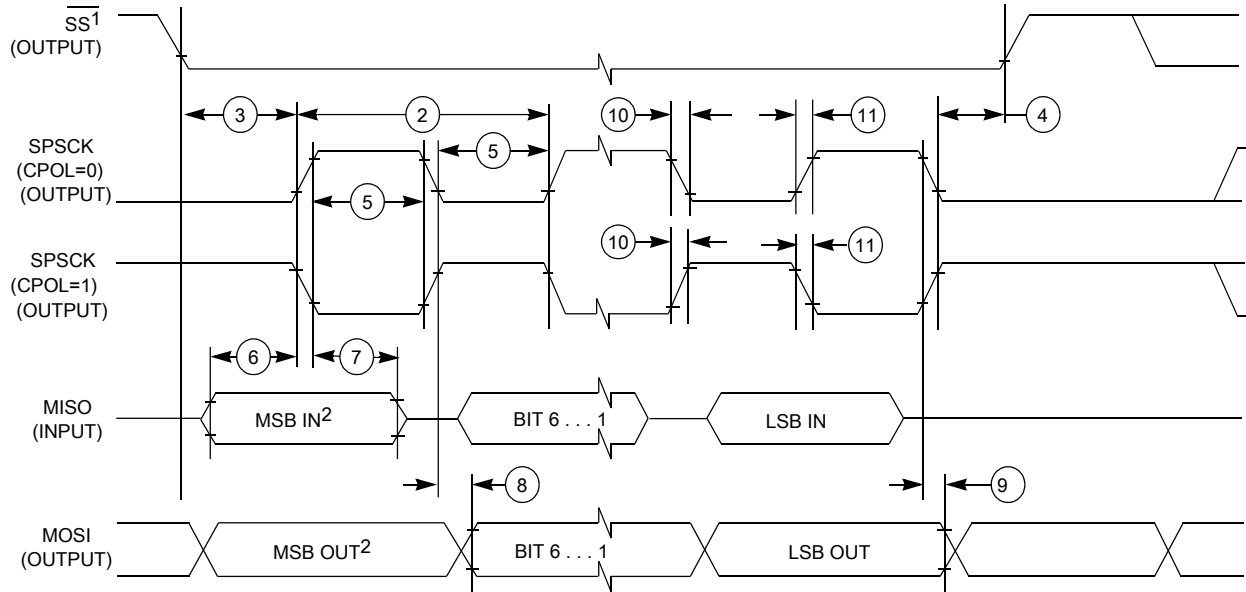
**Table 18. SPI master mode timing**

Nu m.	Symbol	Description	Min.	Max.	Unit	Comment
1	$f_{op}$	Frequency of operation	$f_{Bus}/2048$	$f_{Bus}/2$	Hz	$f_{Bus}$ is the bus clock
2	$t_{SPSCK}$	SPSCK period	$2 \times t_{Bus}$	$2048 \times t_{Bus}$	ns	$t_{Bus} = 1/f_{Bus}$
3	$t_{Lead}$	Enable lead time	1/2	—	$t_{SPSCK}$	—
4	$t_{Lag}$	Enable lag time	1/2	—	$t_{SPSCK}$	—
5	$t_{WSPSCK}$	Clock (SPSCK) high or low time	$t_{Bus} - 30$	$1024 \times t_{Bus}$	ns	—
6	$t_{SU}$	Data setup time (inputs)	15	—	ns	—
7	$t_{HI}$	Data hold time (inputs)	0	—	ns	—
8	$t_v$	Data valid (after SPSCK edge)	—	25	ns	—
9	$t_{HO}$	Data hold time (outputs)	0	—	ns	—
10	$t_{RI}$	Rise time input	—	$t_{Bus} - 25$	ns	—

Table continues on the next page...

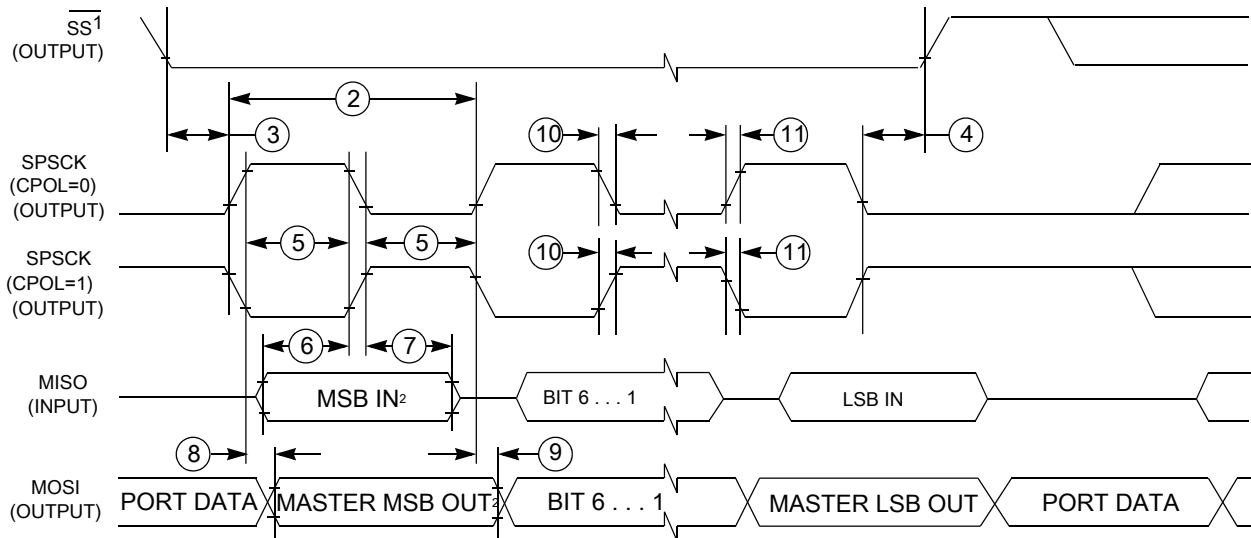
**Table 18. SPI master mode timing (continued)**

Nu m.	Symbol	Description	Min.	Max.	Unit	Comment
	$t_{FI}$	Fall time input				
11	$t_{RO}$	Rise time output	—	25	ns	—
	$t_{FO}$	Fall time output				



1. If configured as an output.
2. LSBF = 0. For LSBF = 1, bit order is LSB, bit 1, ..., bit 6, MSB.

**Figure 18. SPI master mode timing (CPHA=0)**



1. If configured as output
2. LSBF = 0. For LSBF = 1, bit order is LSB, bit 1, ..., bit 6, MSB.

**Figure 19. SPI master mode timing (CPHA=1)**

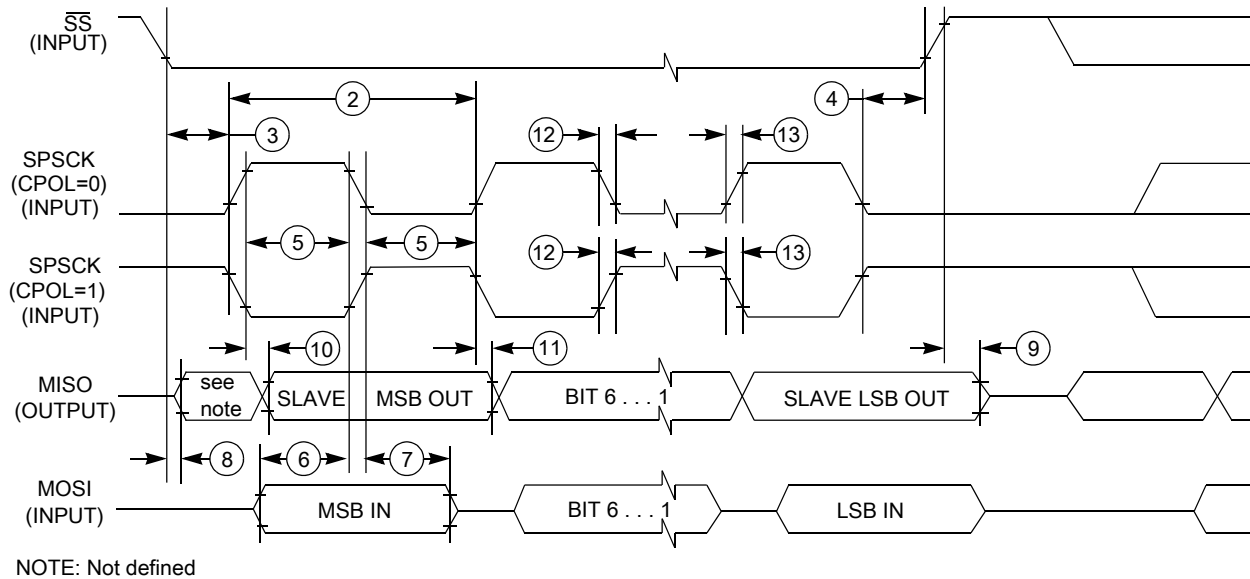
Table 19. SPI slave mode timing

Num.	Symbol	Description	Min.	Max.	Unit	Comment
1	$f_{op}$	Frequency of operation	0	$f_{BUS}/4$	Hz	$f_{BUS}$ is the bus clock as defined in .
2	$t_{SPSCK}$	SPSCK period	$4 \times t_{BUS}$	—	ns	$t_{BUS} = 1/f_{BUS}$
3	$t_{Lead}$	Enable lead time	1	—	$t_{BUS}$	—
4	$t_{Lag}$	Enable lag time	1	—	$t_{BUS}$	—
5	$t_{WSPSCK}$	Clock (SPSCK) high or low time	$t_{BUS} - 30$	—	ns	—
6	$t_{SU}$	Data setup time (inputs)	15	—	ns	—
7	$t_{HI}$	Data hold time (inputs)	25	—	ns	—
8	$t_a$	Slave access time	—	$t_{BUS}$	ns	Time to data active from high-impedance state
9	$t_{dis}$	Slave MISO disable time	—	$t_{BUS}$	ns	Hold time to high-impedance state
10	$t_v$	Data valid (after SPSCK edge)	—	25	ns	—
11	$t_{HO}$	Data hold time (outputs)	0	—	ns	—
12	$t_{RI}$	Rise time input	—	$t_{BUS} - 25$	ns	—
	$t_{FI}$	Fall time input				
13	$t_{RO}$	Rise time output	—	25	ns	—
	$t_{FO}$	Fall time output				



Figure 20. SPI slave mode timing (CPHA = 0)

## Dimensions



**Figure 21. SPI slave mode timing (CPHA=1)**

## 8 Dimensions

### 8.1 Obtaining package dimensions

Package dimensions are provided in package drawings.

To find a package drawing, go to [nxp.com](http://nxp.com) and perform a keyword search for the drawing's document number:

If you want the drawing for this package	Then use this document number
32-pin LQFP	98ASH70029A
44-pin LQFP	98ASS23225W
48-pin LQFP	98ASH00962A
64-pin QFP	98ASB42844B
64-pin LQFP	98ASS23234W



## 9 Pinout

### 9.1 Signal multiplexing and pin assignments

The following table shows the signals available on each pin and the locations of these pins on the devices supported by this document. The Port Control Module is responsible for selecting which ALT functionality is available on each pin.

**Table 20. Pin availability by package pin-count**

Pin Number				Lowest Priority <-- --> Highest				
64-LQFP 64-QFP	48-LQFP	44-LQFP	32-LQFP	Port Pin	Alt 1	Alt 2	Alt 3	Alt 4
1	1	1	1	PTD1 <sup>1</sup>	KBI1P1	FTM2CH3	MOSI1	—
2	2	2	2	PTD0 <sup>1</sup>	KBI1P0	FTM2CH2	SPSCK1	—
3	—	—	—	PTH7	—	—	—	—
4	—	—	—	PTH6	—	—	—	—
5	3	3	—	PTE7	—	TCLK2	—	—
6	4	4	—	PTH2	—	BUSOUT	—	—
7	5	5	3	—	—	—	—	V <sub>DD</sub>
8	6	6	4	—	—	—	V <sub>DDA</sub>	V <sub>REFH</sub>
9	7	7	5	—	—	—	V <sub>SSA</sub>	V <sub>REFL</sub>
10	8	8	6	—	—	—	—	V <sub>SS</sub>
11	9	9	7	PTB7	—	SCL	—	EXTAL
12	10	10	8	PTB6	—	SDA	—	XTAL
13	11	11	—	—	—	—	—	V <sub>SS</sub>
14	—	—	—	PTH1 <sup>1</sup>	—	FTM2CH1	—	—
15	—	—	—	PTH0 <sup>1</sup>	—	FTM2CH0	—	—
16	12	—	—	PTE6	—	—	—	—
17	13	—	—	PTE5	—	—	—	—
18	14	12	9	PTB5 <sup>1</sup>	FTM2CH5	SS0	—	—
19	15	13	10	PTB4 <sup>1</sup>	FTM2CH4	MISO0	—	—
20	16	14	11	PTC3	FTM2CH3	—	ADP11	—
21	17	15	12	PTC2	FTM2CH2	—	ADP10	—
22	18	16	—	PTD7	KBI1P7	TXD2	—	—
23	19	17	—	PTD6	KBI1P6	RXD2	—	—
24	20	18	—	PTD5	KBI1P5	—	—	—
25	21	19	13	PTC1	—	FTM2CH1	ADP9	—
26	22	20	14	PTC0	—	FTM2CH0	ADP8	—
27	—	—	—	PTF7	—	—	ADP15	—

Table continues on the next page...

Table 20. Pin availability by package pin-count (continued)

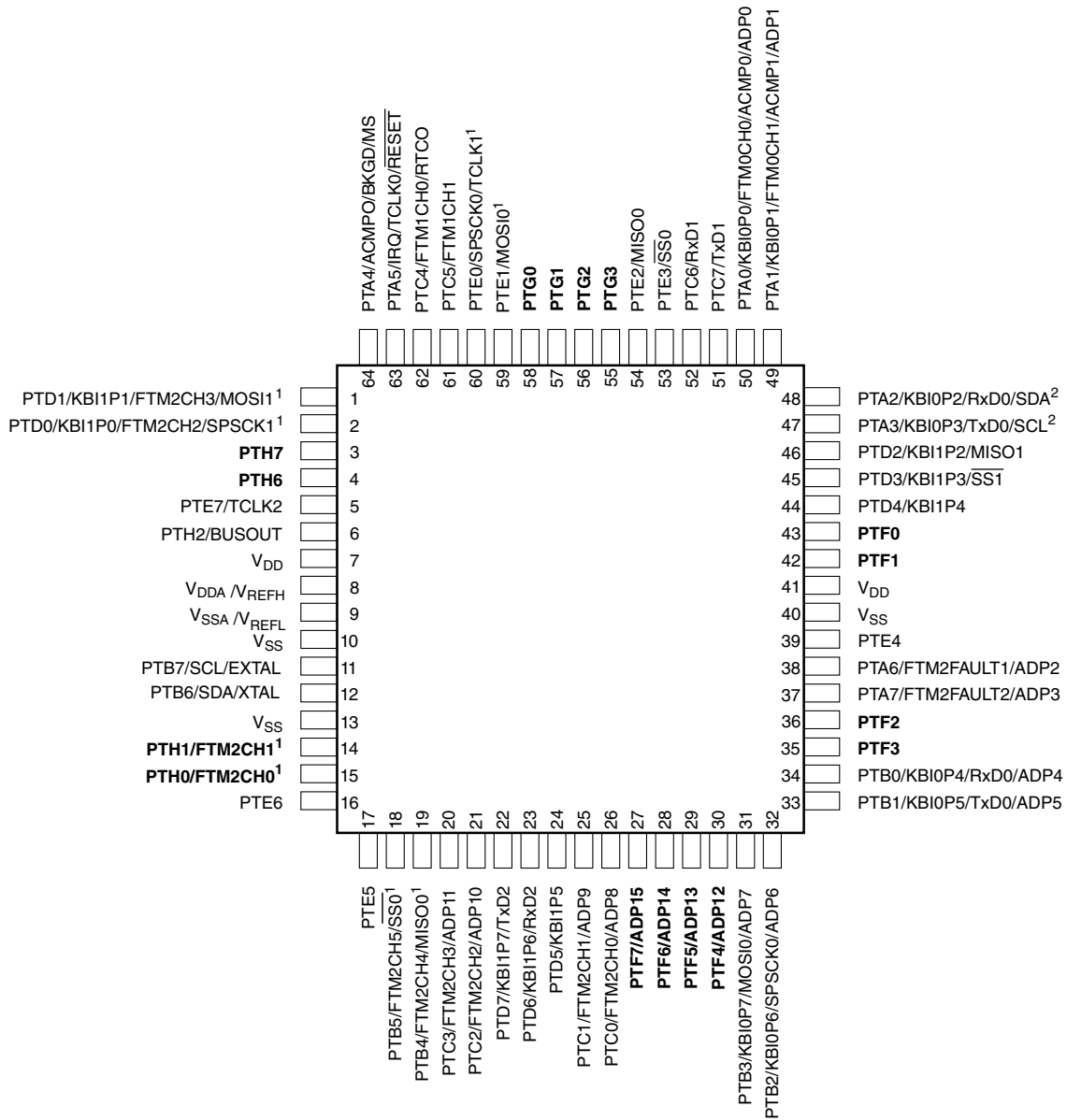
Pin Number				Lowest Priority <-- --> Highest				
64-LQFP 64-QFP	48-LQFP	44-LQFP	32-LQFP	Port Pin	Alt 1	Alt 2	Alt 3	Alt 4
28	—	—	—	PTF6	—	—	ADP14	—
29	—	—	—	PTF5	—	—	ADP13	—
30	—	—	—	PTF4	—	—	ADP12	—
31	23	21	15	PTB3	KBI0P7	MOSI0	ADP7	—
32	24	22	16	PTB2	KBI0P6	SPSCK0	ADP6	—
33	25	23	17	PTB1	KBI0P5	TXD0	ADP5	—
34	26	24	18	PTB0	KBI0P4	RXD0	ADP4	—
35	—	—	—	PTF3	—	—	—	—
36	—	—	—	PTF2	—	—	—	—
37	27	25	19	PTA7	FTM2FAULT2	—	ADP3	—
38	28	26	20	PTA6	FTM2FAULT1	—	ADP2	—
39	29	—	—	PTE4	—	—	—	—
40	30	27	—	—	—	—	—	V <sub>SS</sub>
41	31	28	—	—	—	—	—	V <sub>DD</sub>
42	—	—	—	PTF1	—	—	—	—
43	—	—	—	PTF0	—	—	—	—
44	32	29	—	PTD4	KBI1P4	—	—	—
45	33	30	21	PTD3	KBI1P3	$\overline{SS1}$	—	—
46	34	31	22	PTD2	KBI1P2	MISO1	—	—
47	35	32	23	PTA3 <sup>2</sup>	KBI0P3	TXD0	SCL	—
48	36	33	24	PTA2 <sup>2</sup>	KBI0P2	RXD0	SDA	—
49	37	34	25	PTA1	KBI0P1	FTM0CH1	ACMP1	ADP1
50	38	35	26	PTA0	KBI0P0	FTM0CH0	ACMP0	ADP0
51	39	36	27	PTC7	—	TxD1	—	—
52	40	37	28	PTC6	—	RxD1	—	—
53	41	—	—	PTE3	—	$\overline{SS0}$	—	—
54	42	38	—	PTE2	—	MISO0	—	—
55	—	—	—	PTG3	—	—	—	—
56	—	—	—	PTG2	—	—	—	—
57	—	—	—	PTG1	—	—	—	—
58	—	—	—	PTG0	—	—	—	—
59	43	39	—	PTE1 <sup>1</sup>	—	MOSI0	—	—
60	44	40	—	PTE0 <sup>1</sup>	—	SPSCK0	TCLK1	—
61	45	41	29	PTC5	—	FTM1CH1	—	—
62	46	42	30	PTC4	—	FTM1CH0	RTCO	—
63	47	43	31	PTA5	IRQ	TCLK0	—	$\overline{RESET}$
64	48	44	32	PTA4	—	ACMPO	BKGD	MS

1. This is a high current drive pin when operated as output.
2. This is a true open-drain pin when operated as output.

### Note

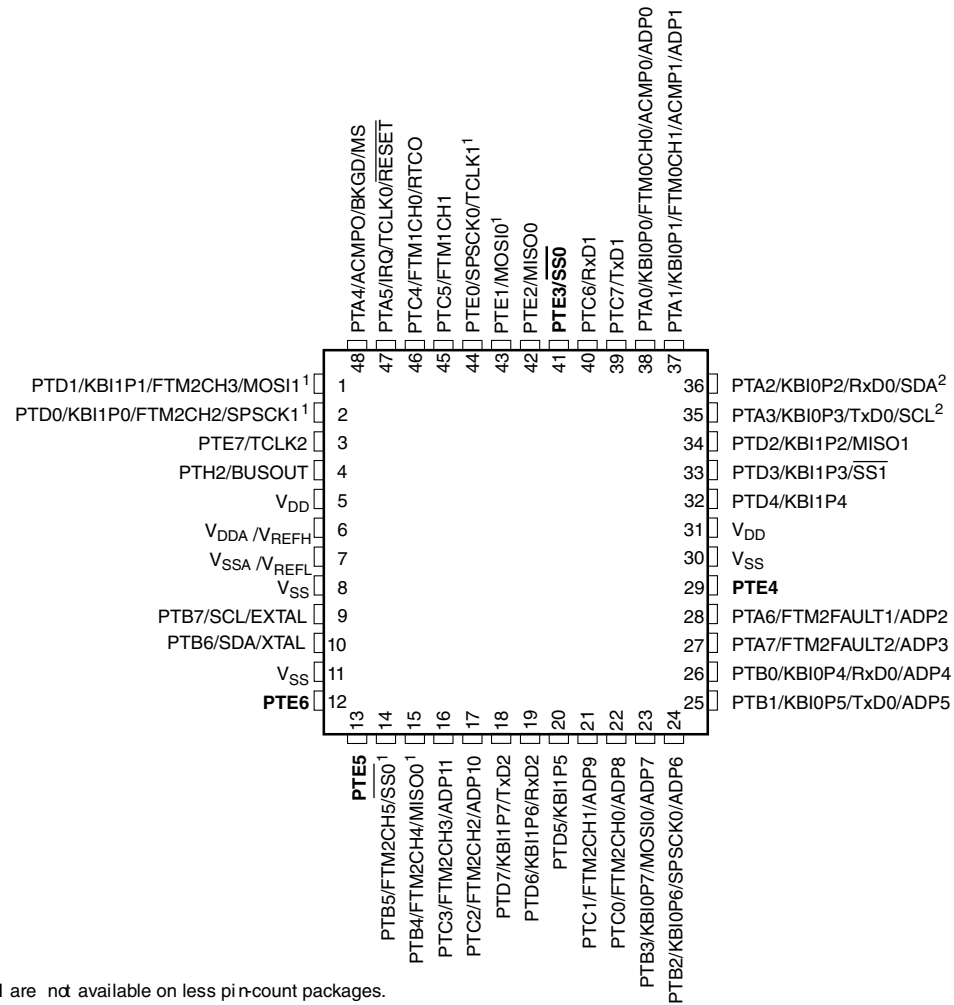
When an alternative function is first enabled, it is possible to get a spurious edge to the module. User software must clear any associated flags before interrupts are enabled. The table above illustrates the priority if multiple modules are enabled. The highest priority module will have control over the pin. Selecting a higher priority pin function with a lower priority function already enabled can cause spurious edges to the lower priority module. Disable all modules that share a pin before enabling another module.

## 9.2 Device pin assignment



Pins in **bold** are not available on less pin-count packages.  
 1. High source/sink current pins  
 2. True open drain pins

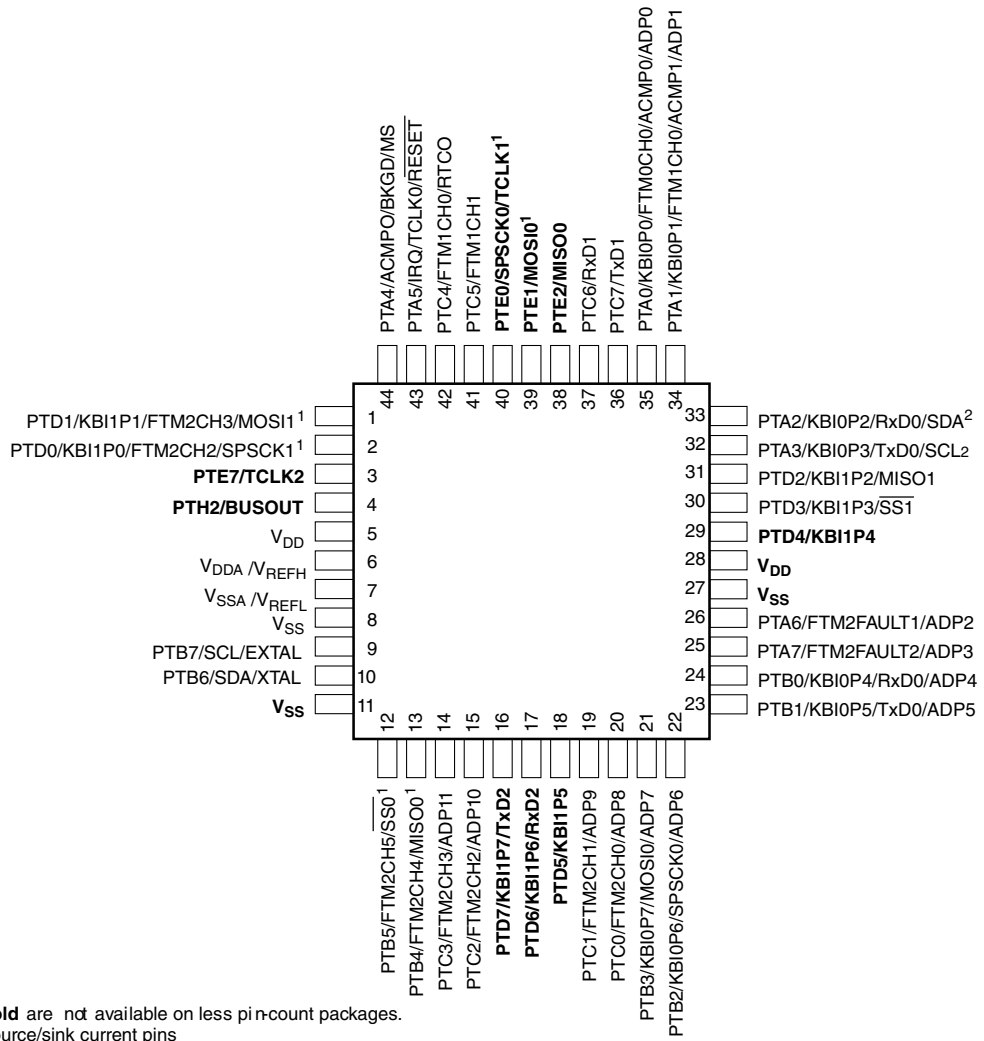
**Figure 22. MC9S08PA60 64-pin QFP and LQFP package**



Pins in **bold** are not available on less pin-count packages.

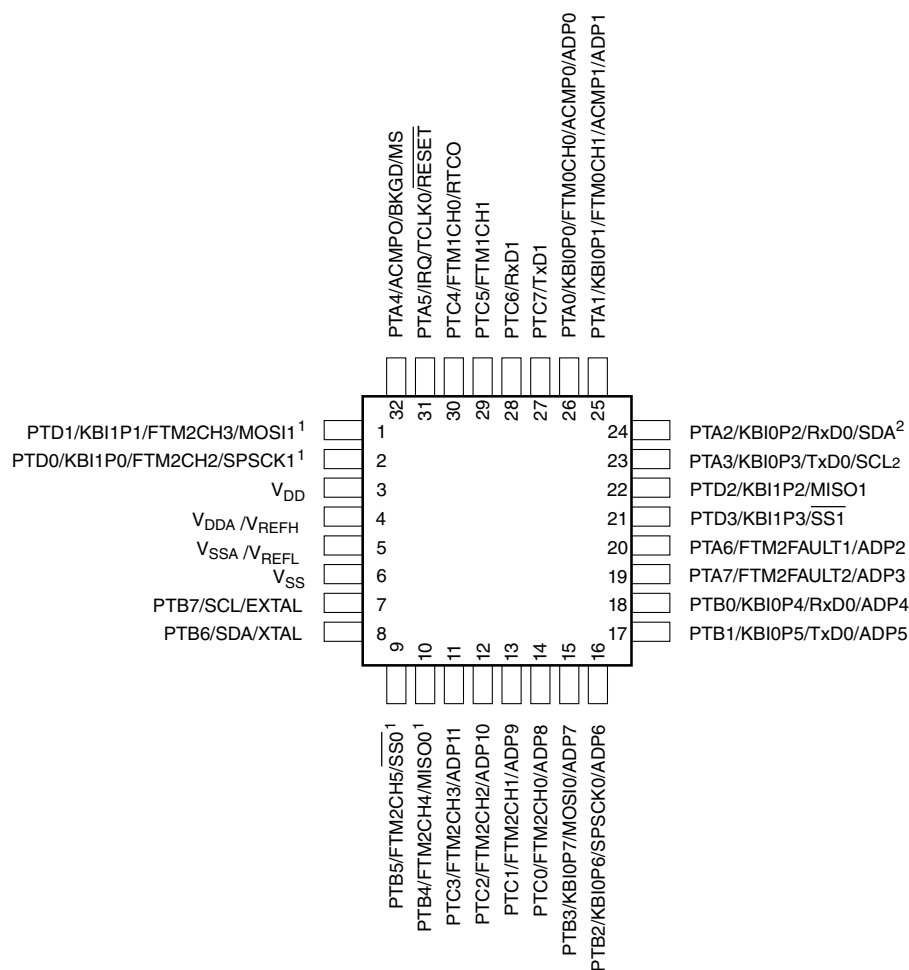
1. High source/sink current pins
2. True open drain pins

**Figure 23. MC9S08PA60 48-pin LQFP package**



Pins in **bold** are not available on less pin-count packages.  
 1. High source/sink current pins  
 2. True open drain pins

Figure 24. MC9S08PA60 44-pin LQFP package



1. High source/sink current pins
2. True open drain pins

**Figure 25. MC9S08PA60 32-pin LQFP package**

## 10 Revision history

The following table provides a revision history for this document.

**Table 21. Revision history**

Rev. No.	Date	Substantial Changes
1	10/2012	Initial public release
2	09/2014	<ul style="list-style-type: none"> <li>• Updated <math>V_{OH}</math> and <math>V_{OL}</math> in <a href="#">DC characteristics</a></li> <li>• footnote on the <math>S3I_{DD}</math> in <a href="#">Supply current characteristics</a></li> <li>• Added <a href="#">EMC radiated emissions operating behaviors</a></li> <li>• Updated the typical of <math>f_{int\_t}</math> to 31.25 kHz and updated footnote to <math>t_{Acquire}</math> in <a href="#">External oscillator (XOSC) and ICS characteristics</a></li> <li>• Updated the assumption for all the timing values in <a href="#">SPI switching specifications</a></li> </ul>

*Table continues on the next page...*

**Table 21. Revision history (continued)**

Rev. No.	Date	Substantial Changes
		<ul style="list-style-type: none"> <li>Updated the rating descriptions for <math>t_{Rise}</math> and <math>t_{Fall}</math> in <a href="#">Control timing</a></li> <li>Updated the part number format to add new field for new part numbers in <a href="#">Fields</a></li> </ul>
3	06/2015	<ul style="list-style-type: none"> <li>Corrected the Min. of the <math>t_{extrst}</math> in <a href="#">Control timing</a></li> <li>Added new section of <a href="#">Thermal operating requirements</a>, Updated <a href="#">Thermal characteristics</a> to remove redundant information.</li> </ul>
4	09/2019	<ul style="list-style-type: none"> <li>Added <a href="#">MCU block diagram</a>.</li> <li>Added new section of <a href="#">Orderable part numbers</a></li> <li>Updated flash characteristics in the <a href="#">NVM specifications</a></li> <li>Updated <math>S3I_{DD}</math> values in the <a href="#">Supply current characteristics</a></li> </ul>