

## Low-Cost 64-Step Volatile Digital POT

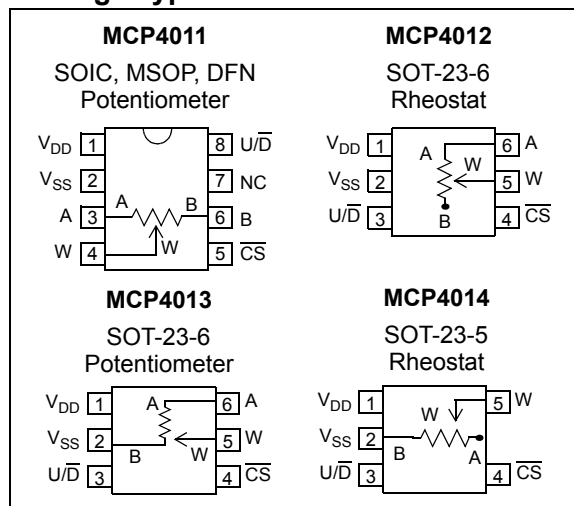
### Features

- Volatile Digital Potentiometer in SOT-23, SOIC, MSOP and DFN Packages
- 64 Taps: 63 Resistors with Taps to Terminal A and Terminal B
- Simple Up/Down (U/D) Protocol
- Power-on Recall of Default Wiper Setting
  - Custom POR Wiper Settings Available (Contact Factory)
- Resistance Values: 2.1 kΩ, 5 kΩ, 10 kΩ or 50 kΩ
- Low Tempco:
  - Absolute (Rheostat): 50 ppm (0°C to 70°C Typ.)
  - Ratiometric (Potentiometer): 10 ppm (Typ.)
- Low Wiper Resistance: 75Ω (Typ.)
- High-Voltage Tolerant Digital Inputs: up to 12.5V
- Low-Power Operation: 1 μA Max Static Current
- Wide Operating Voltage Range:
  - 1.8V to 5.5V - Device Operation
  - 2.7V to 5.5V - Resistor Characteristics Specified
- Extended Temperature Range: -40°C to +125°C
- Wide Bandwidth (-3 dB) Operation:
  - 4 MHz (Typ.) for 2.1 kΩ Device

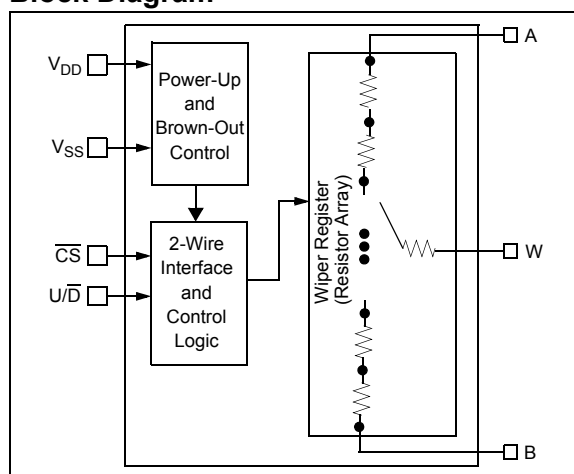
### Description

The MCP4011/2/3/4 devices are volatile, 6-bit Digital Potentiometers that can be configured as either a potentiometer or rheostat. The wiper setting is controlled through a simple Up/Down (U/D) serial interface.

### Package Types



### Block Diagram



### Device Features

Device	Wiper Configuration	Memory Type	POR Wiper Setting	Resistance (typical)		# of Steps	V <sub>DD</sub> Operating Range (2)	Control Interface	WiperLock™ Technology
				Options (kΩ)	Wiper (Ω)				
MCP4011	Potentiometer <sup>(1)</sup>	RAM	Mid-Scale	2.1, 5.0, 10.0, 50.0	75	64	1.8V to 5.5V	U/D	No
MCP4012	Rheostat	RAM	Mid-Scale	2.1, 5.0, 10.0, 50.0	75	64	1.8V to 5.5V	U/D	No
MCP4013	Potentiometer	RAM	Mid-Scale	2.1, 5.0, 10.0, 50.0	75	64	1.8V to 5.5V	U/D	No
MCP4014	Rheostat	RAM	Mid-Scale	2.1, 5.0, 10.0, 50.0	75	64	1.8V to 5.5V	U/D	No

**Note 1:** Floating either terminal (A or B) allows the device to be used in Rheostat mode.

**2:** Analog characteristics (resistor) tested from 2.7V to 5.5V.

# MCP4011/2/3/4

## 1.0 ELECTRICAL CHARACTERISTICS

### Absolute Maximum Ratings †

$V_{DD}$ .....	6.5V
$\overline{CS}$ and $U/\overline{D}$ inputs w.r.t $V_{SS}$ .....	-0.3V to 12.5V
A,B and W terminals w.r.t $V_{SS}$ .....	-0.3V to $V_{DD} + 0.3V$
Current at Input Pins .....	$\pm 10$ mA
Current at Supply Pins .....	$\pm 10$ mA
Current at Potentiometer Pins .....	$\pm 2.5$ mA
Storage temperature .....	-65°C to +150°C
Ambient temp. with power applied .....	-55°C to +125°C
ESD protection on all pins .....	$\geq 4$ kV (HBM), $\geq 400V$ (MM)
Maximum Junction Temperature ( $T_J$ ).....	+150°C

† **Notice:** Stresses above those listed under “Maximum Ratings” may cause permanent damage to the device. This is a stress rating only and functional operation of the device at those or any other conditions above those indicated in the operational listings of this specification is not implied. Exposure to maximum rating conditions for extended periods may affect device reliability.

### AC/DC CHARACTERISTICS

<b>Electrical Specifications:</b> Unless otherwise indicated, all parameters apply across the specified operating ranges. $T_A = -40^\circ\text{C}$ to $+125^\circ\text{C}$ , 2.1 k $\Omega$ , 5 k $\Omega$ , 10 k $\Omega$ and 50 k $\Omega$ devices. Typical specifications represent values for $V_{DD} = 2.7V$ to 5.5V, $V_{SS} = 0V$ , $T_A = +25^\circ\text{C}$ .						
Parameters	Sym.	Min.	Typ.	Max.	Units	Conditions
Operating Voltage Range	$V_{DD}$	2.7	—	5.5	V	
	$V_{DD}$	—	1.8	—	V	$V_{DD} = 1.8V$ , $\overline{CS}:V_{IHH} = 8.5V$ , $V_{IH} = 1.8V$ , $V_{IL} = 0V$ , $U/\overline{D}:V_{IH} = 1.8V$ , $V_{IL} = 0V$
$\overline{CS}$ Input Voltage	$V_{CS}$	$V_{SS}$	—	12.5	V	The $\overline{CS}$ pin will be at one of three input levels ( $V_{IL}$ , $V_{IH}$ or $V_{IHH}$ ). ( <b>Note 6</b> )
Supply Current	$I_{DD}$	—	45	—	$\mu\text{A}$	5.5V, $\overline{CS} = V_{SS}$ , $f_{U/D} = 1$ MHz
		—	15	—	$\mu\text{A}$	2.7V, $\overline{CS} = V_{SS}$ , $f_{U/D} = 1$ MHz
		—	0.3	1	$\mu\text{A}$	Serial Interface Inactive ( $\overline{CS} = V_{IH}$ , $U/\overline{D} = V_{IH}$ )
Resistance ( $\pm 20\%$ )	$R_{AB}$	1.68	2.1	2.52	k $\Omega$	-202 devices ( <b>Note 1</b> )
		4.0	5	6.0	k $\Omega$	-502 devices ( <b>Note 1</b> )
		8.0	10	12.0	k $\Omega$	-103 devices ( <b>Note 1</b> )
		40.0	50	60.0	k $\Omega$	-503 devices ( <b>Note 1</b> )

- Note 1:** Resistance is defined as the resistance between terminal A to terminal B.  
**Note 2:** INL and DNL are measured at  $V_W$  with  $V_A = V_{DD}$  and  $V_B = V_{SS}$ . (-202 devices  $V_A = 4V$ ).  
**Note 3:** MCP4011/13 only, test conditions are:  $I_W = 1.9$  mA, code = 00h.  
**Note 4:** MCP4012/14 only, test conditions are:

Device Resistance	Current at Voltage		Comments
	5.5V	2.7V	
2.1 k $\Omega$	2.25 mA	1.1 mA	MCP4012 includes $V_{WZSE}$ MCP4014 includes $V_{WFSE}$
5 k $\Omega$	1.4 mA	450 $\mu\text{A}$	
10 k $\Omega$	450 $\mu\text{A}$	210 $\mu\text{A}$	
50 k $\Omega$	90 $\mu\text{A}$	40 $\mu\text{A}$	

- Note 5:** Resistor terminals A, W and B's polarity with respect to each other is not restricted.  
**Note 6:** This specification by design.  
**Note 7:** Nonlinearity is affected by wiper resistance ( $R_W$ ), which changes significantly over voltage and temperature. See [Section 6.0, "Resistor"](#) for additional information.  
**Note 8:** For voltages below 2.7V, refer to [Section 2.0, "Typical Performance Curves"](#).  
**Note 9:** The MCP4011 is externally connected to match the configurations of the MCP4012 and MCP4014 and then tested.

## AC/DC CHARACTERISTICS (CONTINUED)

**Electrical Specifications:** Unless otherwise indicated, all parameters apply across the specified operating ranges.  $T_A = -40^\circ\text{C}$  to  $+125^\circ\text{C}$ , 2.1 k $\Omega$ , 5 k $\Omega$ , 10 k $\Omega$  and 50 k $\Omega$  devices. Typical specifications represent values for  $V_{DD} = 2.7\text{V}$  to  $5.5\text{V}$ ,  $V_{SS} = 0\text{V}$ ,  $T_A = +25^\circ\text{C}$ .

Parameters	Sym.	Min.	Typ.	Max.	Units	Conditions	
Resolution	N	64			Taps	No Missing Codes	
Step Resistance	$R_S$	—	$R_{AB} / 63$	—	$\Omega$	Note 6	
Wiper Resistance (Note 3, Note 4)	$R_W$	—	70	125	$\Omega$	5.5V	
		—	70	325	$\Omega$	2.7V	
Nominal Resistance Tempco	$\Delta R / \Delta T$	—	50	—	ppm/ $^\circ\text{C}$	$T_A = -20^\circ\text{C}$ to $+70^\circ\text{C}$	
		—	100	—	ppm/ $^\circ\text{C}$	$T_A = -40^\circ\text{C}$ to $+85^\circ\text{C}$	
		—	150	—	ppm/ $^\circ\text{C}$	$T_A = -40^\circ\text{C}$ to $+125^\circ\text{C}$	
Ratiometric Tempco	$\Delta V_{WA} / \Delta T$	—	10	—	ppm/ $^\circ\text{C}$	MCP4011 and MCP4013 only, code = 1Fh	
Full-Scale Error (MCP4011/13 only)	$V_{WFSE}$	-0.5	-0.1	+0.5	LSb	Code 3Fh, $2.7\text{V} \leq V_{DD} \leq 5.5\text{V}$	
Zero-Scale Error (MCP4011/13 only)	$V_{WZSE}$	-0.5	+0.1	+0.5	LSb	Code 00h, $2.7\text{V} \leq V_{DD} \leq 5.5\text{V}$	
Monotonicity	N	Yes			Bits		
Resistor Terminal Input Voltage Range (Terminals A, B and W)	$V_A, V_W, V_B$	$V_{SS}$	—	$V_{DD}$	V	Note 5, Note 6	
Current through A, W or B	$I_W$	—	—	2.5	mA	Note 6	
Leakage current into A, W or B	$I_{WL}$	—	100	—	nA	MCP4011 A = W = B = $V_{SS}$	
		—	100	—	nA	MCP4012/13 A = W = $V_{SS}$	
		—	100	—	nA	MCP4014 W = $V_{SS}$	
Capacitance ( $P_A$ )	$C_{AW}$	—	75	—	pF	f = 1 MHz, code = 1Fh	
Capacitance ( $P_W$ )	$C_W$	—	120	—	pF	f = 1 MHz, code = 1Fh	
Capacitance ( $P_B$ )	$C_{BW}$	—	75	—	pF	f = 1 MHz, code = 1Fh	
Bandwidth -3 dB	BW	—	4	—	MHz	-202 devices	Code = 1F, output load = 30 pF
		—	2	—	MHz	-502 devices	
		—	1	—	MHz	-103 devices	
		—	200	—	KHz	-503 devices	

- Note** 1: Resistance is defined as the resistance between terminal A to terminal B.  
 2: INL and DNL are measured at  $V_W$  with  $V_A = V_{DD}$  and  $V_B = V_{SS}$ . (-202 devices  $V_A = 4\text{V}$ ).  
 3: MCP4011/13 only, test conditions are:  $I_W = 1.9\text{mA}$ , code = 00h.  
 4: MCP4012/14 only, test conditions are:

Device Resistance	Current at Voltage		Comments
	5.5V	2.7V	
2.1 k $\Omega$	2.25 mA	1.1 mA	MCP4012 includes $V_{WZSE}$ MCP4014 includes $V_{WFSE}$
5 k $\Omega$	1.4 mA	450 $\mu\text{A}$	
10 k $\Omega$	450 $\mu\text{A}$	210 $\mu\text{A}$	
50 k $\Omega$	90 $\mu\text{A}$	40 $\mu\text{A}$	

- 5: Resistor terminals A, W and B's polarity with respect to each other is not restricted.  
 6: This specification by design.  
 7: Nonlinearity is affected by wiper resistance ( $R_W$ ), which changes significantly over voltage and temperature. See Section 6.0, "Resistor" for additional information.  
 8: For voltages below 2.7V, refer to Section 2.0, "Typical Performance Curves".  
 9: The MCP4011 is externally connected to match the configurations of the MCP4012 and MCP4014 and then tested.

# MCP4011/2/3/4

## AC/DC CHARACTERISTICS (CONTINUED)

**Electrical Specifications:** Unless otherwise indicated, all parameters apply across the specified operating ranges.  $T_A = -40^\circ\text{C}$  to  $+125^\circ\text{C}$ , 2.1 k $\Omega$ , 5 k $\Omega$ , 10 k $\Omega$  and 50 k $\Omega$  devices. Typical specifications represent values for  $V_{DD} = 2.7\text{V}$  to 5.5V,  $V_{SS} = 0\text{V}$ ,  $T_A = +25^\circ\text{C}$ .

Parameters	Sym.	Min.	Typ.	Max.	Units	Conditions	
Potentiometer Integral Nonlinearity	INL	-0.5	$\pm 0.25$	+0.5	LSb	MCP4011/13 only (Note 2)	
Potentiometer Differential Nonlinearity	DNL	-0.5	$\pm 0.25$	+0.5	LSb	MCP4011/13 only (Note 2)	
Rheostat Integral Nonlinearity MCP4011 (Note 4, Note 9) MCP4012 and MCP4014 (Note 4)	R-INL	-0.5	$\pm 0.25$	+0.5	LSb	-202 devices (2.1 k $\Omega$ )	5.5V
		-8.5	+4.5	+8.5	LSb		2.7V (Note 7)
		See Section 2.0			LSb		1.8V (Note 7, Note 8)
		-502 devices (5 k $\Omega$ )	-0.5	$\pm 0.25$	+0.5	LSb	5.5V
			-5.5	+2.5	+5.5	LSb	2.7V (Note 7)
			See Section 2.0			LSb	1.8V (Note 7, Note 8)
		-103 devices (10 k $\Omega$ )	-0.5	$\pm 0.25$	+0.5	LSb	5.5V
			-3	+1	+3	LSb	2.7V (Note 7)
			See Section 2.0			LSb	1.8V (Note 7, Note 8)
		-503 devices (50 k $\Omega$ )	-0.5	$\pm 0.25$	+0.5	LSb	5.5V
			-1	+0.25	+1	LSb	2.7V (Note 7)
			See Section 2.0			LSb	1.8V (Note 7, Note 8)
Rheostat Differential Nonlinearity MCP4011 (Note 4, Note 9) MCP4012 and MCP4014 (Note 4)	R-DNL	-0.5	$\pm 0.25$	+0.5	LSb	-202 devices (2.1 k $\Omega$ )	5.5V
		-1	+0.5	+2	LSb		2.7V (Note 7)
		See Section 2.0			LSb		1.8V (Note 7, Note 8)
		-502 devices (5 k $\Omega$ )	-0.5	$\pm 0.25$	+0.5	LSb	5.5V
			-1	+0.25	+1.25	LSb	2.7V (Note 7)
			See Section 2.0			LSb	1.8V (Note 7, Note 8)
		-103 devices (10 k $\Omega$ )	-0.5	$\pm 0.25$	+0.5	LSb	5.5V
			-1	0	+1	LSb	2.7V (Note 7)
			See Section 2.0			LSb	1.8V (Note 7, Note 8)
		-503 devices (50 k $\Omega$ )	-0.5	$\pm 0.25$	+0.5	LSb	5.5V
			-0.5	0	+0.5	LSb	2.7V (Note 7)
			See Section 2.0			LSb	1.8V (Note 7, Note 8)

- Note** 1: Resistance is defined as the resistance between terminal A to terminal B.  
 2: INL and DNL are measured at  $V_W$  with  $V_A = V_{DD}$  and  $V_B = V_{SS}$ . (-202 devices  $V_A = 4\text{V}$ ).  
 3: MCP4011/13 only, test conditions are:  $I_W = 1.9\text{ mA}$ , code = 00h.  
 4: MCP4012/14 only, test conditions are:

Device Resistance	Current at Voltage		Comments
	5.5V	2.7V	
2.1 k $\Omega$	2.25 mA	1.1 mA	MCP4012 includes $V_{WZSE}$ MCP4014 includes $V_{WFSE}$
5 k $\Omega$	1.4 mA	450 $\mu\text{A}$	
10 k $\Omega$	450 $\mu\text{A}$	210 $\mu\text{A}$	
50 k $\Omega$	90 $\mu\text{A}$	40 $\mu\text{A}$	

- 5: Resistor terminals A, W and B's polarity with respect to each other is not restricted.  
 6: This specification by design.  
 7: Nonlinearity is affected by wiper resistance ( $R_W$ ), which changes significantly over voltage and temperature. See Section 6.0, "Resistor" for additional information.  
 8: For voltages below 2.7V, refer to Section 2.0, "Typical Performance Curves".  
 9: The MCP4011 is externally connected to match the configurations of the MCP4012 and MCP4014 and then tested.

## AC/DC CHARACTERISTICS (CONTINUED)

**Electrical Specifications:** Unless otherwise indicated, all parameters apply across the specified operating ranges.  $T_A = -40^\circ\text{C}$  to  $+125^\circ\text{C}$ , 2.1 k $\Omega$ , 5 k $\Omega$ , 10 k $\Omega$  and 50 k $\Omega$  devices. Typical specifications represent values for  $V_{DD} = 2.7\text{V}$  to 5.5V,  $V_{SS} = 0\text{V}$ ,  $T_A = +25^\circ\text{C}$ .

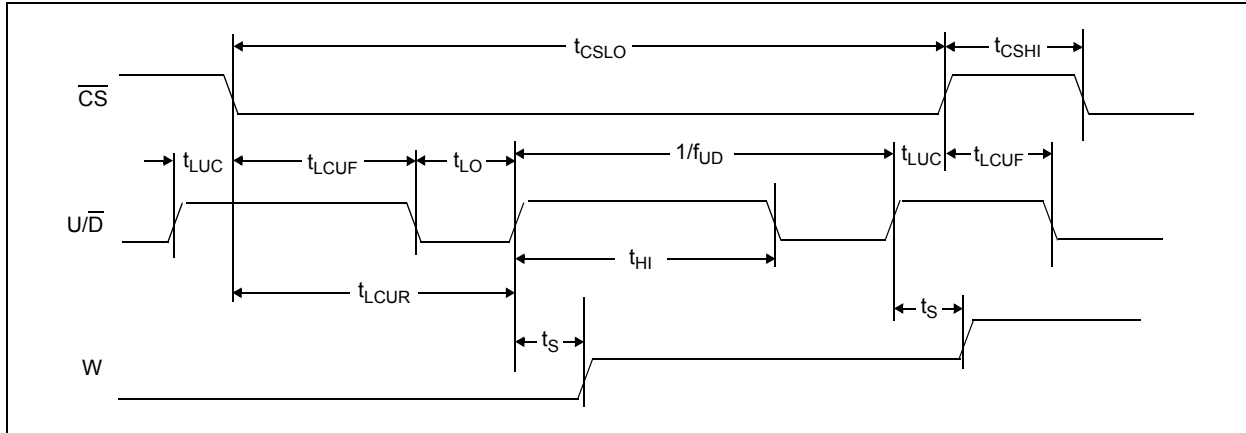
Parameters	Sym.	Min.	Typ.	Max.	Units	Conditions
<b>Digital Inputs/Outputs (CS, U/D)</b>						
Input High Voltage	$V_{IH}$	0.7 $V_{DD}$	—	—	V	
Input Low Voltage	$V_{IL}$	—	—	0.3 $V_{DD}$	V	
High-Voltage Input Entry Voltage (Threshold for WiperLock Technology)	$V_{IHH}$	8.5 <sup>(9)</sup>	—	12.5 <sup>(6)</sup>	V	+7°C to +125°C
		9.0	—	12.5 <sup>(6)</sup>	V	-40°C to +125°C
High-Voltage Input Exit Voltage	$V_{IHH}$	—	—	$V_{DD}+0.8$ <sup>(6)</sup>	V	
CS Pull-Up/Pull-Down Resistance	$R_{CS}$	—	16	—	k $\Omega$	$V_{DD} = 5.5\text{V}$ , $V_{CS} = 3\text{V}$
CS Weak Pull-Up/Pull-Down Current	$I_{PU}$	—	170	—	$\mu\text{A}$	$V_{DD} = 5.5\text{V}$ , $V_{CS} = 3\text{V}$
Input Leakage Current	$I_{IL}$	-1	—	1	$\mu\text{A}$	$V_{IN} = V_{DD}$
CS and U/D Pin Capacitance	$C_{IN}$ , $C_{OUT}$	—	10	—	pF	$f_C = 1\text{ MHz}$ , $V_{DD} \geq 2.7\text{V}$
<b>RAM (Wiper) Value</b>						
Value Range	N	0h	—	3Fh	hex	
Default POR Setting	N	1Fh			hex	
<b>Power Requirements</b>						
Power Supply Sensitivity (MCP4011 and MCP4013 only)	PSS	—	0.0015	0.0035	%/%	$V_{DD} = 4.5\text{V}$ to 5.5V, $V_A = 4.5\text{V}$ , Code = 1Fh
		—	0.0015	0.0035	%/%	$V_{DD} = 2.7\text{V}$ to 4.5V, $V_A = 2.7\text{V}$ , Code = 1Fh

- Note** 1: Resistance is defined as the resistance between terminal A to terminal B.  
 2: INL and DNL are measured at  $V_W$  with  $V_A = V_{DD}$  and  $V_B = V_{SS}$ . (-202 devices  $V_A = 4\text{V}$ ).  
 3: MCP4011/13 only, test conditions are:  $I_W = 1.9\text{ mA}$ , code = 00h.  
 4: MCP4012/14 only, test conditions are:

Device Resistance	Current at Voltage		Comments
	5.5V	2.7V	
2.1 k $\Omega$	2.25 mA	1.1 mA	MCP4012 includes $V_{WZSE}$ MCP4014 includes $V_{WFSE}$
5 k $\Omega$	1.4 mA	450 $\mu\text{A}$	
10 k $\Omega$	450 $\mu\text{A}$	210 $\mu\text{A}$	
50 k $\Omega$	90 $\mu\text{A}$	40 $\mu\text{A}$	

- 5: Resistor terminals A, W and B's polarity with respect to each other is not restricted.  
 6: This specification by design.  
 7: Nonlinearity is affected by wiper resistance ( $R_W$ ), which changes significantly over voltage and temperature. See [Section 6.0, "Resistor"](#) for additional information.  
 8: For voltages below 2.7V, refer to [Section 2.0, "Typical Performance Curves"](#).  
 9: The MCP4011 is externally connected to match the configurations of the MCP4012 and MCP4014 and then tested.

# MCP4011/2/3/4

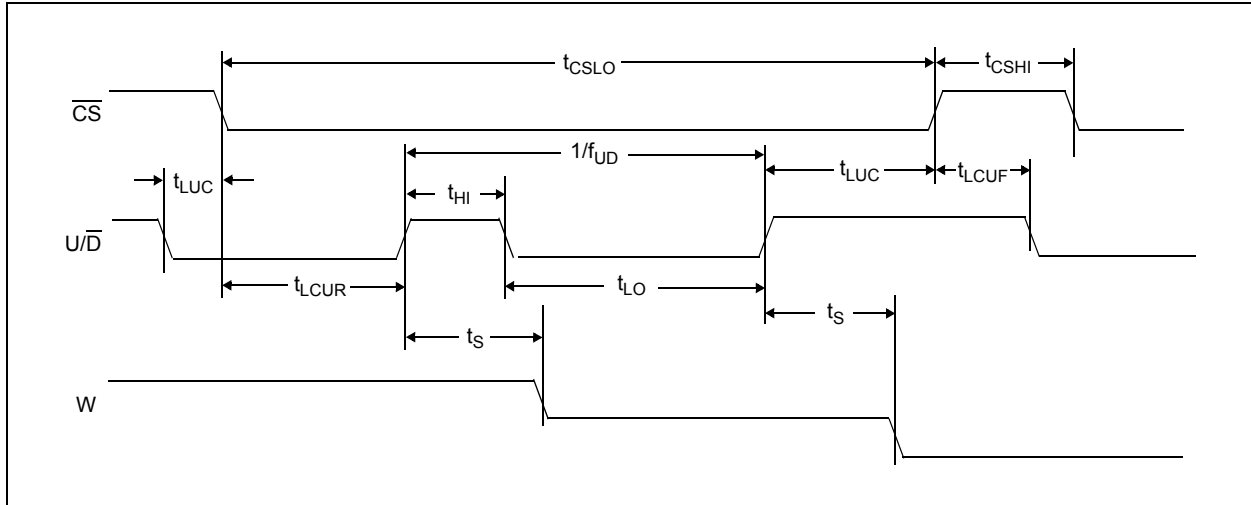


**FIGURE 1-1:** Increment Timing Waveform.

## SERIAL TIMING CHARACTERISTICS

**Electrical Specifications:** Unless otherwise noted, all parameters apply across the specified operating ranges. Extended (E):  $V_{DD} = +1.8V$  to  $5.5V$ ,  $T_A = -40^{\circ}C$  to  $+125^{\circ}C$ .

Parameters	Sym.	Min.	Typ.	Max.	Units	Conditions
$\overline{CS}$ Low Time	$t_{CSLO}$	5	—	—	$\mu s$	
$\overline{CS}$ High Time	$t_{CSHI}$	500	—	—	ns	$2.7V \leq V_{DD} \leq 5.5V$
		—	—	—	ns	$1.8V \leq V_{DD} < 2.7V$
U/D to $\overline{CS}$ Hold Time	$t_{LUC}$	500	—	—	ns	$2.7V \leq V_{DD} \leq 5.5V$
		750	—	—	ns	$1.8V \leq V_{DD} < 2.7V$
$\overline{CS}$ to U/D Low Setup Time	$t_{LCUF}$	500	—	—	ns	
$\overline{CS}$ to U/D High Setup Time	$t_{LCUR}$	3	—	—	$\mu s$	
U/D High Time	$t_{HI}$	500	—	—	ns	
U/D Low Time	$t_{LO}$	500	—	—	ns	
Up/Down Toggle Frequency	$f_{UD}$	—	—	1	MHz	
Wiper Settling Time	$t_S$	0.5	—	—	$\mu s$	$2.1 k\Omega, C_L = 100 pF$
		1	—	—	$\mu s$	$5 k\Omega, C_L = 100 pF$
		2	—	—	$\mu s$	$10 k\Omega, C_L = 100 pF$
		10	5	—	$\mu s$	$50 k\Omega, C_L = 100 pF$
Wiper Response on Power-Up	$t_{PU}$	—	200	—	ns	



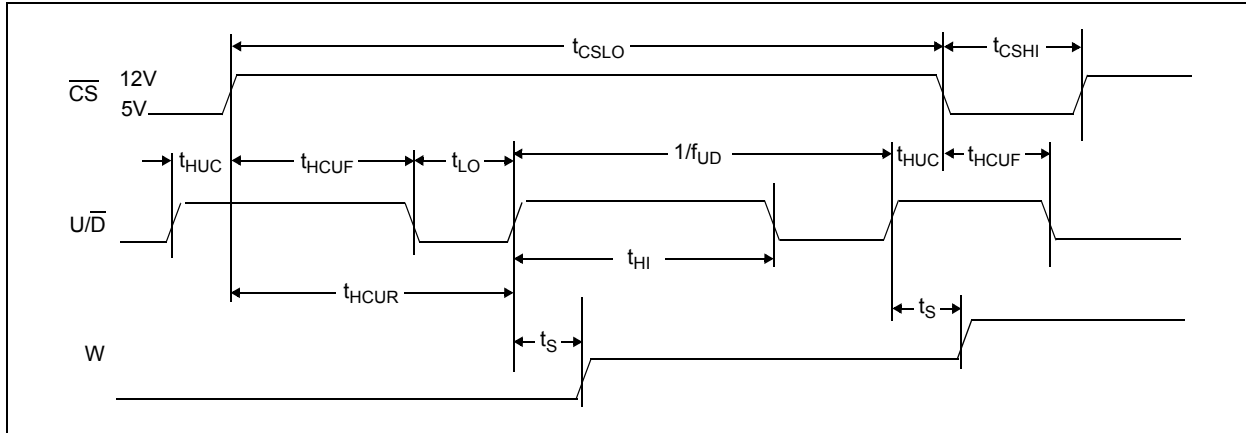
**FIGURE 1-2:** Decrement Timing Waveform.

## SERIAL TIMING CHARACTERISTICS

**Electrical Specifications:** Unless otherwise noted, all parameters apply across the specified operating ranges. Extended (E):  $V_{DD} = +1.8V$  to  $5.5V$ ,  $T_A = -40^{\circ}C$  to  $+125^{\circ}C$ .

Parameters	Sym.	Min.	Typ.	Max.	Units	Conditions
$\overline{CS}$ Low Time	$t_{CSLO}$	5	—	—	$\mu s$	
$\overline{CS}$ High Time	$t_{CSHI}$	500	—	—	ns	$2.7V \leq V_{DD} \leq 5.5V$
		—	—	—	ns	$1.8V \leq V_{DD} < 2.7V$
$U/\overline{D}$ to $\overline{CS}$ Hold Time	$t_{LUC}$	500	—	—	ns	$2.7V \leq V_{DD} \leq 5.5V$
		750	—	—	ns	$1.8V \leq V_{DD} < 2.7V$
$\overline{CS}$ to $U/\overline{D}$ Low Setup Time	$t_{LCUF}$	500	—	—	ns	
$\overline{CS}$ to $U/\overline{D}$ High Setup Time	$t_{LCUR}$	3	—	—	$\mu s$	
$U/\overline{D}$ High Time	$t_{HI}$	500	—	—	ns	
$U/\overline{D}$ Low Time	$t_{LO}$	500	—	—	ns	
Up/Down Toggle Frequency	$f_{UD}$	—	—	1	MHz	
Wiper Settling Time	$t_S$	0.5	—	—	$\mu s$	$2.1 k\Omega$ , $C_L = 100 pF$
		1	—	—	$\mu s$	$5 k\Omega$ , $C_L = 100 pF$
		2	—	—	$\mu s$	$10 k\Omega$ , $C_L = 100 pF$
		10	5	—	$\mu s$	$50 k\Omega$ , $C_L = 100 pF$
Wiper Response on Power-up	$t_{PU}$	—	200	—	ns	

# MCP4011/2/3/4



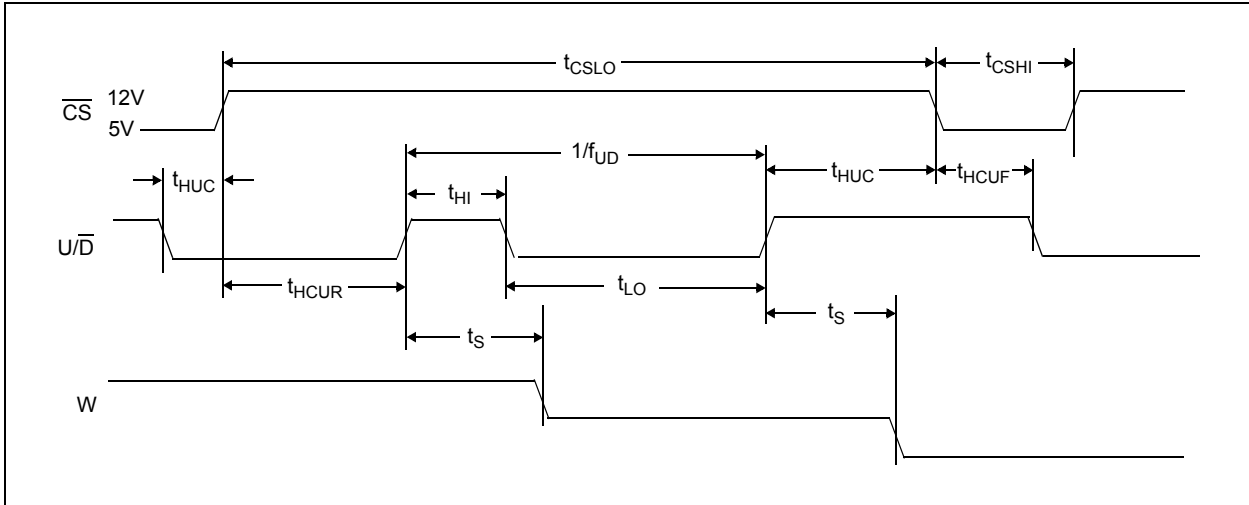
**FIGURE 1-3:** High-Voltage Increment Timing Waveform.

## SERIAL TIMING CHARACTERISTICS

**Electrical Specifications:** Unless otherwise noted, all parameters apply across the specified operating ranges. Extended (E):  $V_{DD} = +1.8V$  to  $5.5V$ ,  $T_A = -40^\circ C$  to  $+125^\circ C$ .

Parameters	Sym.	Min.	Typ.	Max.	Units	Conditions
$\overline{CS}$ Low Time	$t_{CSLO}$	5	—	—	$\mu s$	
$\overline{CS}$ High Time	$t_{CSHI}$	500	—	—	ns	$2.7V \leq V_{DD} \leq 5.5V$
		—	—	—	ns	$1.8V \leq V_{DD} < 2.7V$
$U/\overline{D}$ High Time	$t_{HI}$	500	—	—	ns	
$U/\overline{D}$ Low Time	$t_{LO}$	500	—	—	ns	
Up/Down Toggle Frequency	$f_{UD}$	—	—	1	MHz	
HV $U/\overline{D}$ to $\overline{CS}$ Hold Time	$t_{HUC}$	1.5	—	—	$\mu s$	
HV $\overline{CS}$ to $U/\overline{D}$ Low Setup Time	$t_{HUCUF}$	8	—	—	$\mu s$	
HV $\overline{CS}$ to $U/\overline{D}$ High Setup Time	$t_{HUCUR}$	4.5	—	—	$\mu s$	
Wiper Settling Time	$t_S$	0.5	—	—	$\mu s$	$2.1 k\Omega, C_L = 100 pF$
		1	—	—	$\mu s$	$5 k\Omega, C_L = 100 pF$
		2	—	—	$\mu s$	$10 k\Omega, C_L = 100 pF$
		10	5	—	$\mu s$	$50 k\Omega, C_L = 100 pF$
Wiper Response on Power-Up	$t_{PU}$	—	200	—	ns	





**FIGURE 1-4:** High-Voltage Decrement Timing Waveform.

## SERIAL TIMING CHARACTERISTICS

**Electrical Specifications:** Unless otherwise noted, all parameters apply across the specified operating ranges. Extended (E):  $V_{DD} = +1.8V$  to  $5.5V$ ,  $T_A = -40^\circ C$  to  $+125^\circ C$ .

Parameters	Sym.	Min.	Typ.	Max.	Units	Conditions
$\overline{CS}$ Low Time	$t_{CSLO}$	5	—	—	$\mu s$	
$\overline{CS}$ High Time	$t_{CSHI}$	500	—	—	ns	$2.7V \leq V_{DD} \leq 5.5V$
		—	—	—	ns	$1.8V \leq V_{DD} < 2.7V$
$U/\overline{D}$ High Time	$t_{HI}$	500	—	—	ns	
$U/\overline{D}$ Low Time	$t_{LO}$	500	—	—	ns	
Up/Down Toggle Frequency	$f_{UD}$	—	—	1	MHz	
HV $U/\overline{D}$ to $\overline{CS}$ Hold Time	$t_{HUC}$	1.5	—	—	$\mu s$	
HV $\overline{CS}$ to $U/\overline{D}$ Low Setup Time	$t_{HUCUF}$	8	—	—	$\mu s$	
HV $\overline{CS}$ to $U/\overline{D}$ High Setup Time	$t_{HUCUR}$	4.5	—	—	$\mu s$	
Wiper Settling Time	$t_S$	0.5	—	—	$\mu s$	$2.1 k\Omega$ , $C_L = 100 pF$
		1	—	—	$\mu s$	$5 k\Omega$ , $C_L = 100 pF$
		2	—	—	$\mu s$	$10 k\Omega$ , $C_L = 100 pF$
		10	5	—	$\mu s$	$50 k\Omega$ , $C_L = 100 pF$
Wiper Response on Power-up	$t_{PU}$	—	200	—	ns	

# MCP4011/2/3/4

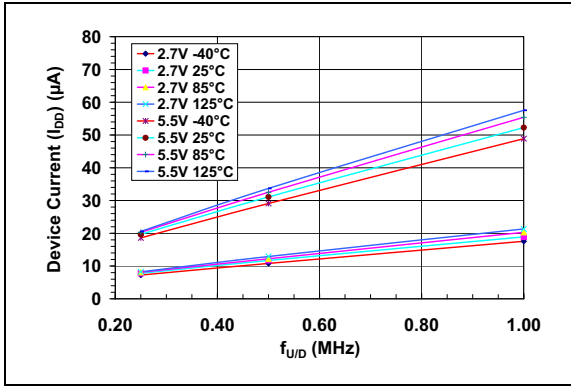
## TEMPERATURE CHARACTERISTICS

Electrical Specifications: Unless otherwise indicated, $V_{DD} = +2.7V$ to $+5.5V$ , $V_{SS} = GND$ .						
Parameters	Sym.	Min.	Typ.	Max.	Units	Conditions
<b>Temperature Ranges</b>						
Specified Temperature Range	$T_A$	-40	—	+125	°C	
Operating Temperature Range	$T_A$	-40	—	+125	°C	
Storage Temperature Range	$T_A$	-65	—	+150	°C	
<b>Thermal Package Resistances</b>						
Thermal Resistance, 5L-SOT-23	$\theta_{JA}$	—	70	—	°C/W	
Thermal Resistance, 6L-SOT-23	$\theta_{JA}$	—	120	—	°C/W	
Thermal Resistance, 8L-DFN (2x3)	$\theta_{JA}$	—	85	—	°C/W	
Thermal Resistance, 8L-MSOP	$\theta_{JA}$	—	206	—	°C/W	
Thermal Resistance, 8L-SOIC	$\theta_{JA}$	—	163	—	°C/W	

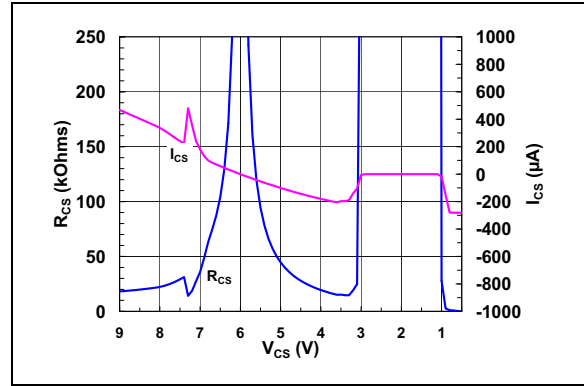
## 2.0 TYPICAL PERFORMANCE CURVES

**Note:** The graphs and tables provided following this note are a statistical summary based on a limited number of samples and are provided for informational purposes only. The performance characteristics listed herein are not tested or guaranteed. In some graphs or tables, the data presented may be outside the specified operating range (e.g., outside specified power supply range) and therefore outside the warranted range.

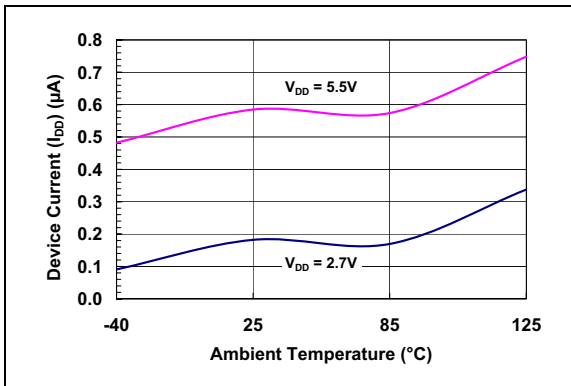
**Note:** Unless otherwise indicated,  $T_A = +25^\circ\text{C}$ ,  $V_{DD} = 5\text{V}$ ,  $V_{SS} = 0\text{V}$ .



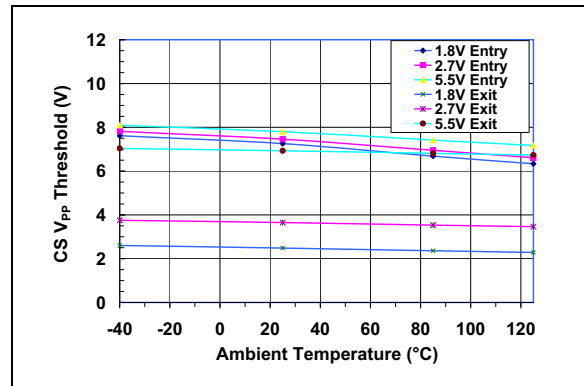
**FIGURE 2-1:** Device Current ( $I_{DD}$ ) vs. U/D Frequency ( $f_{UD}$ ) and Ambient Temperature ( $V_{DD} = 2.7\text{V}$  and  $5.5\text{V}$ ).



**FIGURE 2-3:** CS Pull-Up/Pull-Down Resistance ( $R_{CS}$ ) and Current ( $I_{CS}$ ) vs. CS Input Voltage ( $V_{CS}$ ) ( $V_{DD} = 5.5\text{V}$ ).



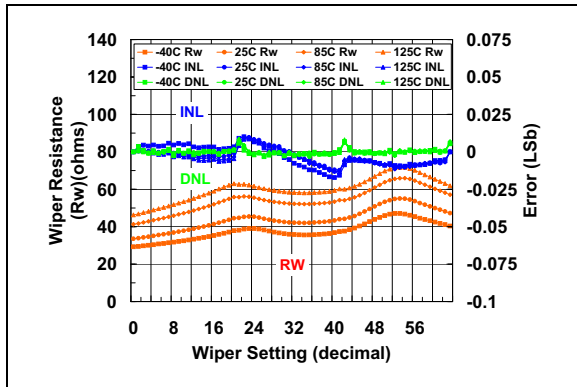
**FIGURE 2-2:** Device Current ( $I_{SHDN}$ ) and  $V_{DD}$  ( $CS = V_{DD}$ ) vs. Ambient Temperature.



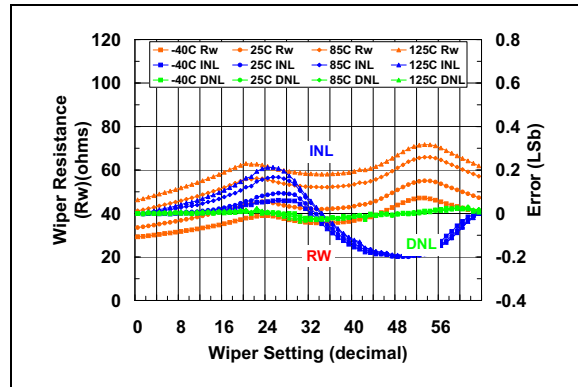
**FIGURE 2-4:** CS High Input Entry/Exit Threshold vs. Ambient Temperature and  $V_{DD}$ .

# MCP4011/2/3/4

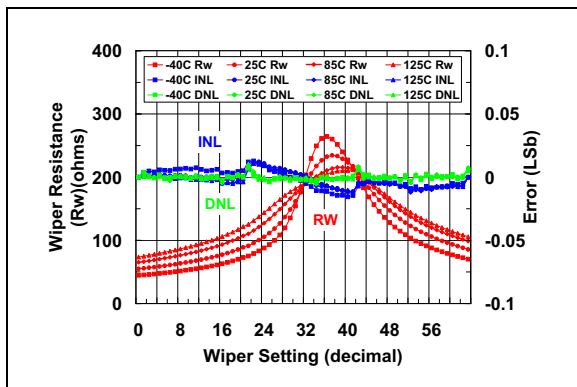
Note: Unless otherwise indicated,  $T_A = +25^\circ\text{C}$ ,  $V_{DD} = 5\text{V}$ ,  $V_{SS} = 0\text{V}$ .



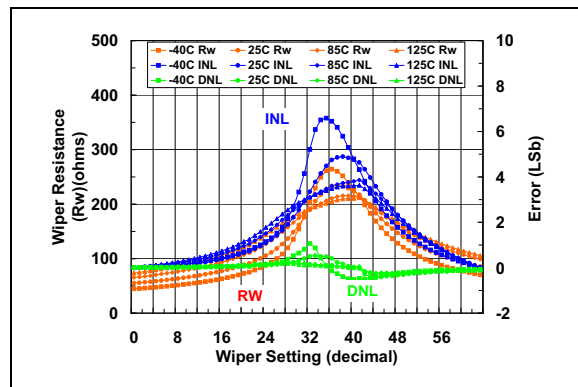
**FIGURE 2-5:** 2.1 k $\Omega$  Pot Mode –  $R_W$  ( $\Omega$ ), INL (LSb), DNL (LSb) vs. Wiper Setting and Ambient Temperature ( $V_{DD} = 5.5\text{V}$ ).



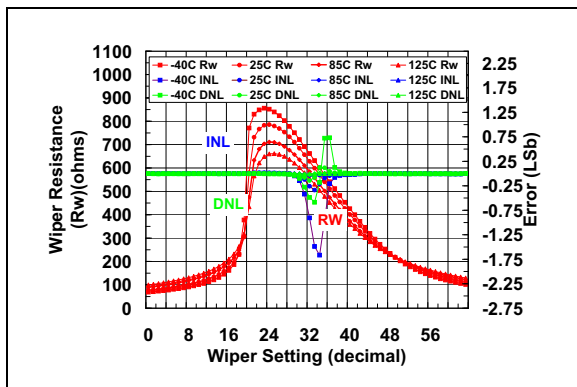
**FIGURE 2-8:** 2.1 k $\Omega$  Rheo Mode –  $R_W$  ( $\Omega$ ), INL (LSb), DNL (LSb) vs. Wiper Setting and Ambient Temperature ( $V_{DD} = 5.5\text{V}$ ).



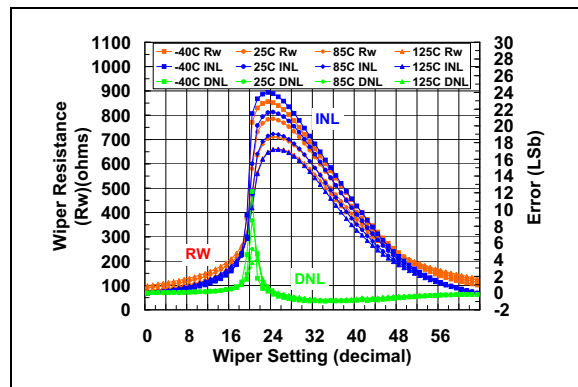
**FIGURE 2-6:** 2.1 k $\Omega$  Pot Mode –  $R_W$  ( $\Omega$ ), INL (LSb), DNL (LSb) vs. Wiper Setting and Ambient Temperature ( $V_{DD} = 2.7\text{V}$ ).



**FIGURE 2-9:** 2.1 k $\Omega$  Rheo Mode –  $R_W$  ( $\Omega$ ), INL (LSb), DNL (LSb) vs. Wiper Setting and Ambient Temperature ( $V_{DD} = 2.7\text{V}$ ).

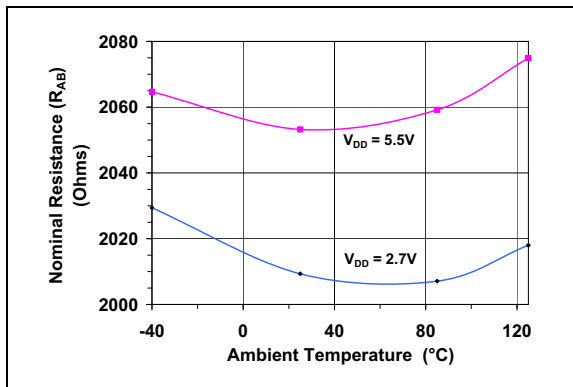


**FIGURE 2-7:** 2.1 k $\Omega$  Pot Mode –  $R_W$  ( $\Omega$ ), INL (LSb), DNL (LSb) vs. Wiper Setting and Ambient Temperature ( $V_{DD} = 1.8\text{V}$ ).

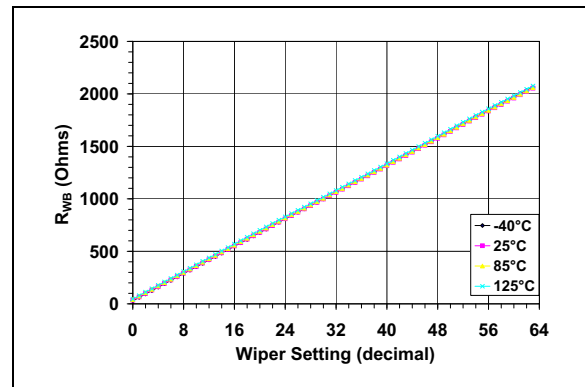


**FIGURE 2-10:** 2.1 k $\Omega$  Rheo Mode –  $R_W$  ( $\Omega$ ), INL (LSb), DNL (LSb) vs. Wiper Setting and Ambient Temperature ( $V_{DD} = 1.8\text{V}$ ).

**Note:** Unless otherwise indicated,  $T_A = +25^\circ\text{C}$ ,  $V_{DD} = 5\text{V}$ ,  $V_{SS} = 0\text{V}$ .



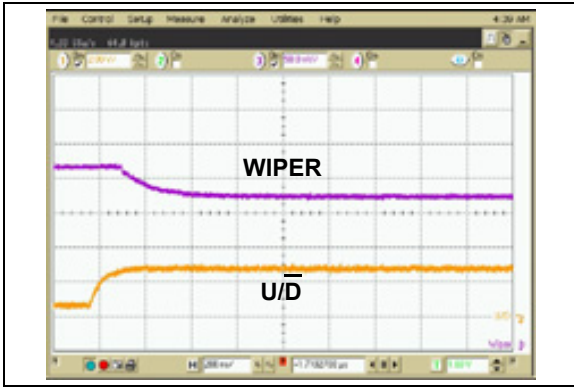
**FIGURE 2-11:**  $2.1\text{ k}\Omega$  – Nominal Resistance ( $\Omega$ ) vs. Ambient Temperature and  $V_{DD}$ .



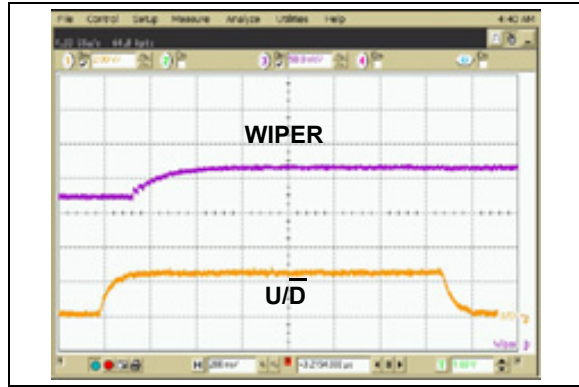
**FIGURE 2-12:**  $2.1\text{ k}\Omega$  –  $R_{WB}$  ( $\Omega$ ) vs. Wiper Setting and Ambient Temperature.

# MCP4011/2/3/4

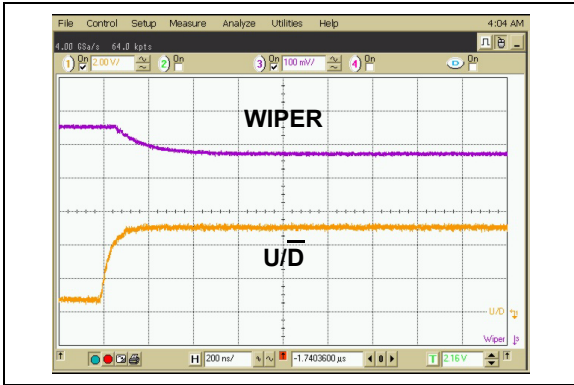
Note: Unless otherwise indicated,  $T_A = +25^\circ\text{C}$ ,  $V_{DD} = 5\text{V}$ ,  $V_{SS} = 0\text{V}$ .



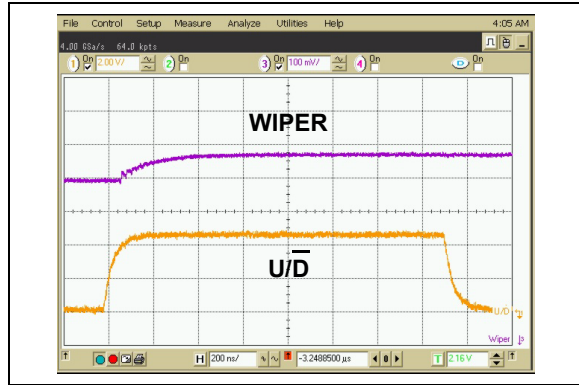
**FIGURE 2-13:** 2.1 k $\Omega$  – Low-Voltage Decrement Wiper Settling Time ( $V_{DD} = 2.7\text{V}$ ).



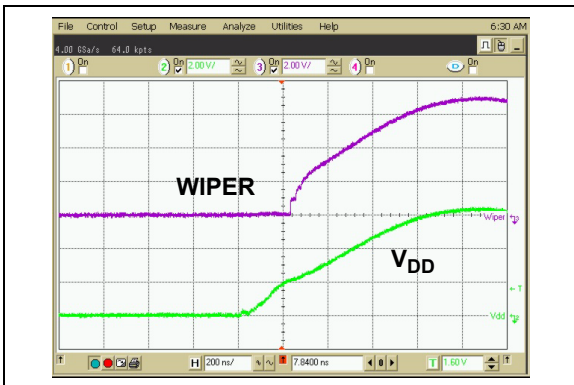
**FIGURE 2-16:** 2.1 k $\Omega$  – Low-Voltage Increment Wiper Settling Time ( $V_{DD} = 2.7\text{V}$ ).



**FIGURE 2-14:** 2.1 k $\Omega$  – Low-Voltage Decrement Wiper Settling Time ( $V_{DD} = 5.5\text{V}$ ).

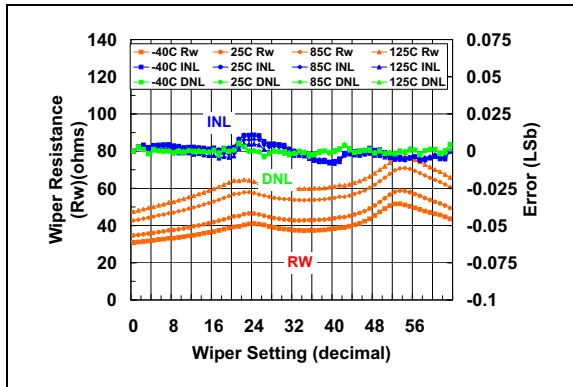


**FIGURE 2-17:** 2.1 k $\Omega$  – Low-Voltage Increment Wiper Settling Time ( $V_{DD} = 5.5\text{V}$ ).

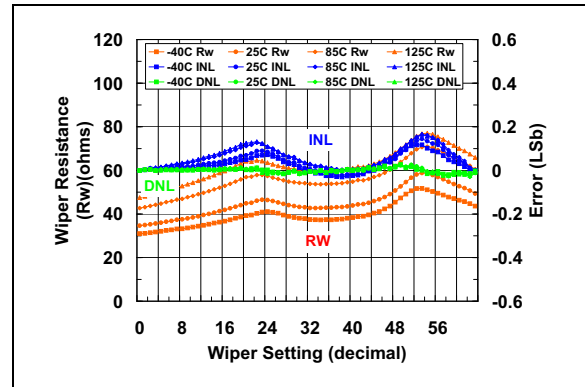


**FIGURE 2-15:** 2.1 k $\Omega$  – Power-Up Wiper Response Time.

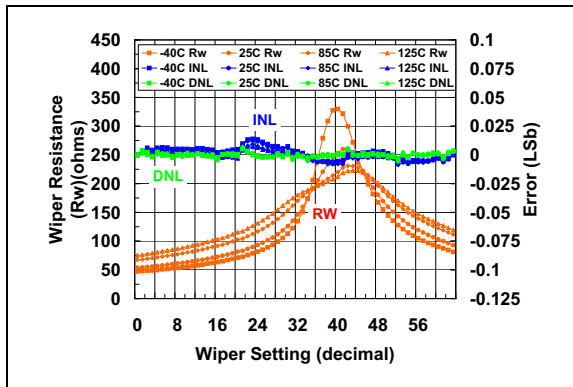
**Note:** Unless otherwise indicated,  $T_A = +25^\circ\text{C}$ ,  $V_{DD} = 5\text{V}$ ,  $V_{SS} = 0\text{V}$ .



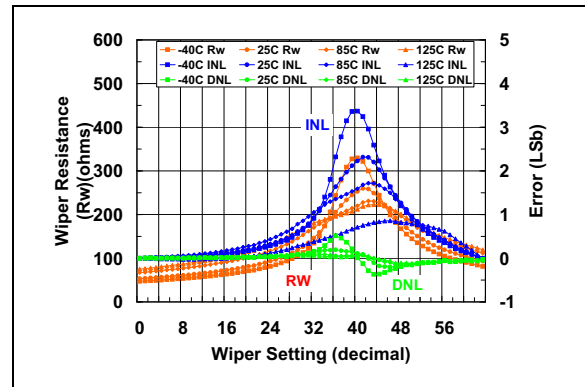
**FIGURE 2-18:** 5 kΩ Pot Mode –  $R_W$  ( $\Omega$ ), INL (LSb), DNL (LSb) vs. Wiper Setting and Ambient Temperature ( $V_{DD} = 5.5\text{V}$ ).



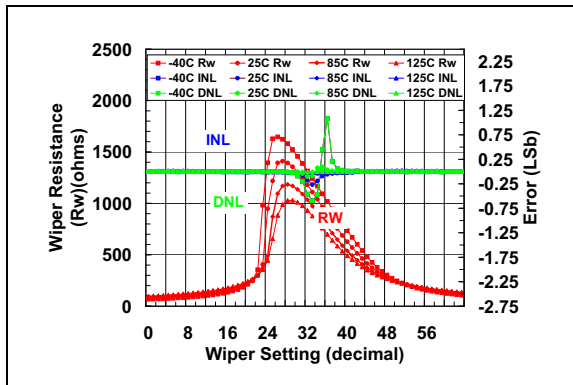
**FIGURE 2-21:** 5 kΩ Rheo Mode –  $R_W$  ( $\Omega$ ), INL (LSb), DNL (LSb) vs. Wiper Setting and Ambient Temperature ( $V_{DD} = 5.5\text{V}$ ).



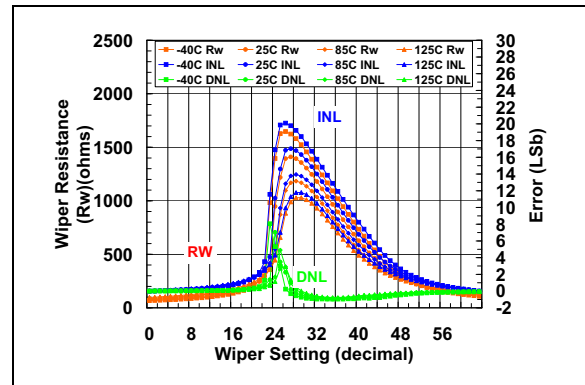
**FIGURE 2-19:** 5 kΩ Pot Mode –  $R_W$  ( $\Omega$ ), INL (LSb), DNL (LSb) vs. Wiper Setting and Ambient Temperature ( $V_{DD} = 2.7\text{V}$ ).



**FIGURE 2-22:** 5 kΩ Rheo Mode –  $R_W$  ( $\Omega$ ), INL (LSb), DNL (LSb) vs. Wiper Setting and Ambient Temperature ( $V_{DD} = 2.7\text{V}$ ).



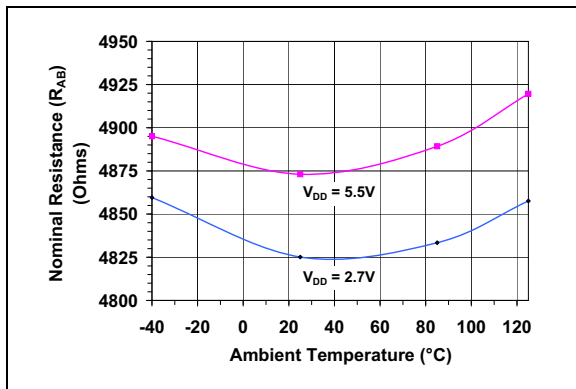
**FIGURE 2-20:** 5 kΩ Pot Mode –  $R_W$  ( $\Omega$ ), INL (LSb), DNL (LSb) vs. Wiper Setting and Ambient Temperature ( $V_{DD} = 1.8\text{V}$ ).



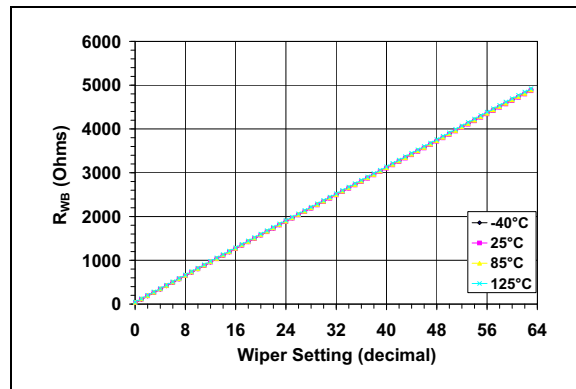
**FIGURE 2-23:** 5 kΩ Rheo Mode –  $R_W$  ( $\Omega$ ), INL (LSb), DNL (LSb) vs. Wiper Setting and Ambient Temperature ( $V_{DD} = 1.8\text{V}$ ).

# MCP4011/2/3/4

Note: Unless otherwise indicated,  $T_A = +25^\circ\text{C}$ ,  $V_{DD} = 5\text{V}$ ,  $V_{SS} = 0\text{V}$ .



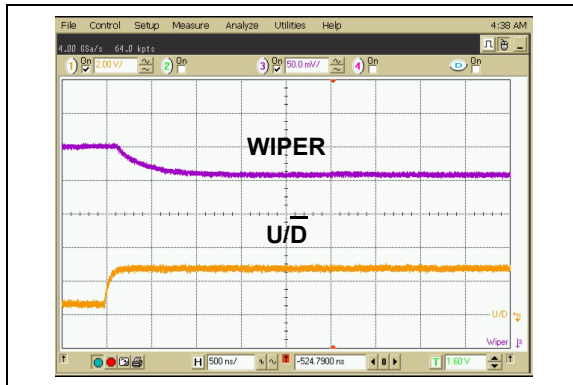
**FIGURE 2-24:**  $5\text{ k}\Omega$  – Nominal Resistance ( $\Omega$ ) vs. Ambient Temperature and  $V_{DD}$ .



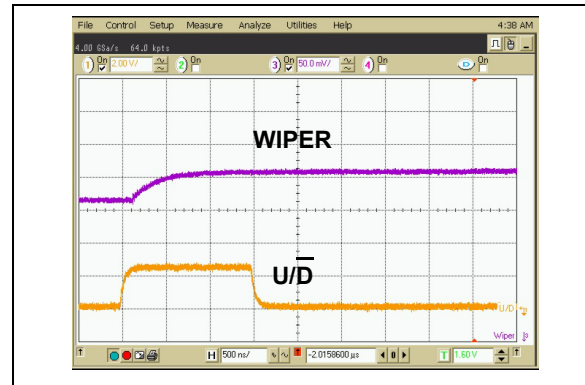
**FIGURE 2-25:**  $5\text{ k}\Omega$  –  $R_{WB}$  ( $\Omega$ ) vs. Wiper Setting and Ambient Temperature.



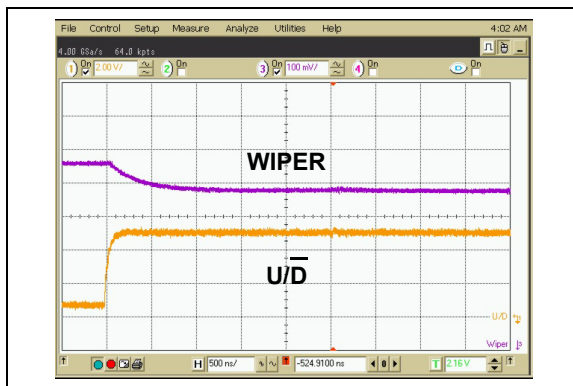
**Note:** Unless otherwise indicated,  $T_A = +25^\circ\text{C}$ ,  $V_{DD} = 5\text{V}$ ,  $V_{SS} = 0\text{V}$ .



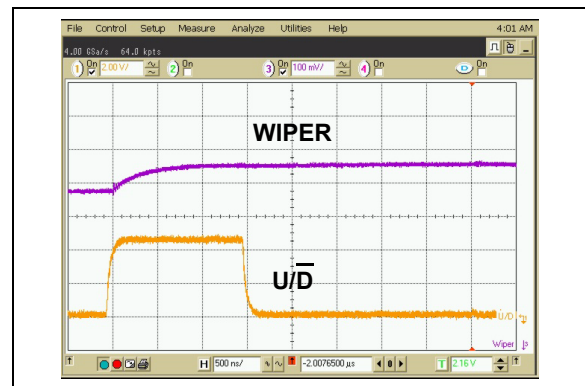
**FIGURE 2-26:**  $5\text{ k}\Omega$  – Low-Voltage Decrement Wiper Settling Time ( $V_{DD} = 2.7\text{V}$ ).



**FIGURE 2-28:**  $5\text{ k}\Omega$  – Low-Voltage Increment Wiper Settling Time ( $V_{DD} = 2.7\text{V}$ ).



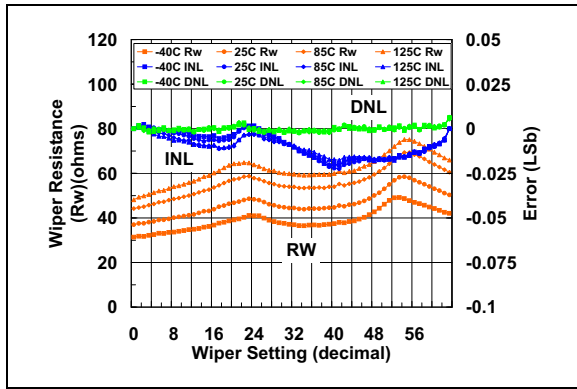
**FIGURE 2-27:**  $5\text{ k}\Omega$  – Low-Voltage Decrement Wiper Settling Time ( $V_{DD} = 5.5\text{V}$ ).



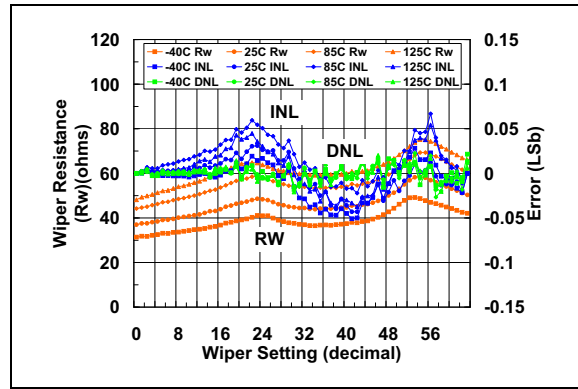
**FIGURE 2-29:**  $5\text{ k}\Omega$  – Low-Voltage Increment Wiper Settling Time ( $V_{DD} = 5.5\text{V}$ ).

# MCP4011/2/3/4

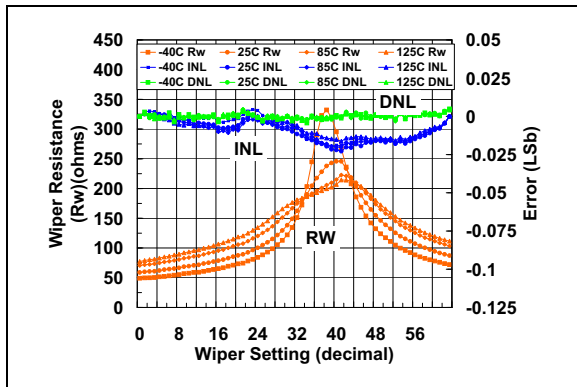
Note: Unless otherwise indicated,  $T_A = +25^\circ\text{C}$ ,  $V_{DD} = 5\text{V}$ ,  $V_{SS} = 0\text{V}$ .



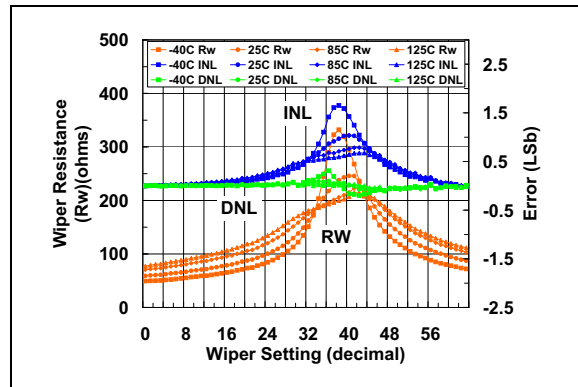
**FIGURE 2-30:** 10 kΩ Pot Mode –  $R_W$  ( $\Omega$ ), INL (LSb), DNL (LSb) vs. Wiper Setting and Ambient Temperature ( $V_{DD} = 5.5\text{V}$ ).



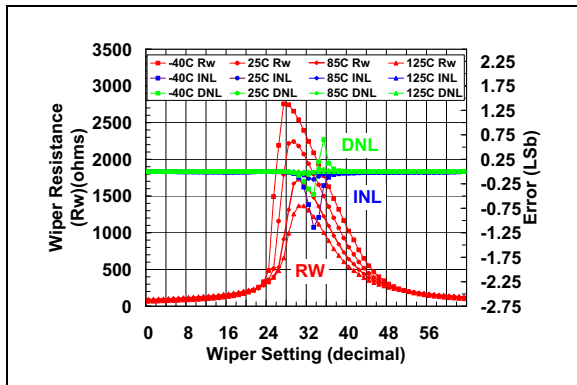
**FIGURE 2-33:** 10 kΩ Rheo Mode –  $R_W$  ( $\Omega$ ), INL (LSb), DNL (LSb) vs. Wiper Setting and Ambient Temperature ( $V_{DD} = 5.5\text{V}$ ).



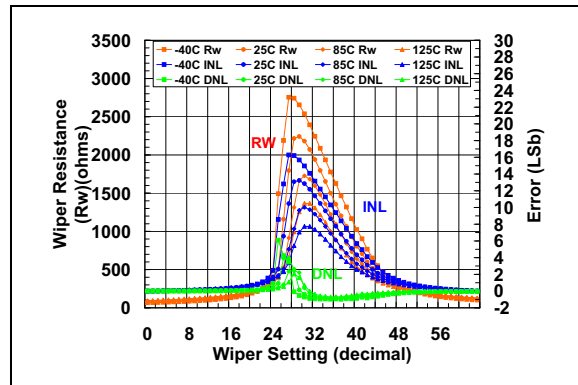
**FIGURE 2-31:** 10 kΩ Pot Mode –  $R_W$  ( $\Omega$ ), INL (LSb), DNL (LSb) vs. Wiper Setting and Ambient Temperature ( $V_{DD} = 2.7\text{V}$ ).



**FIGURE 2-34:** 10 kΩ Rheo Mode –  $R_W$  ( $\Omega$ ), INL (LSb), DNL (LSb) vs. Wiper Setting and Ambient Temperature ( $V_{DD} = 2.7\text{V}$ ).

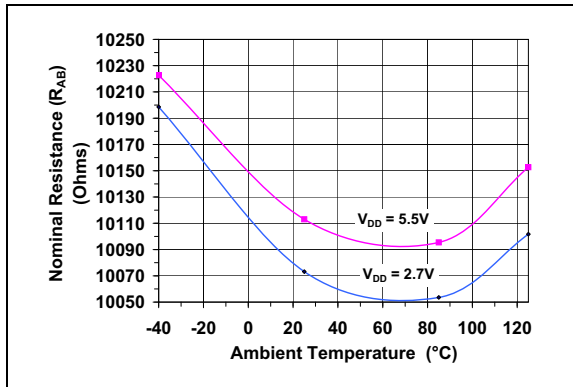


**FIGURE 2-32:** 10 kΩ Pot Mode –  $R_W$  ( $\Omega$ ), INL (LSb), DNL (LSb) vs. Wiper Setting and Ambient Temperature ( $V_{DD} = 1.8\text{V}$ ).

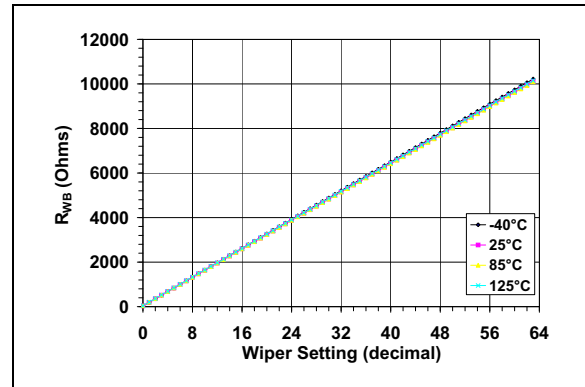


**FIGURE 2-35:** 10 kΩ Rheo Mode –  $R_W$  ( $\Omega$ ), INL (LSb), DNL (LSb) vs. Wiper Setting and Ambient Temperature ( $V_{DD} = 1.8\text{V}$ ).

**Note:** Unless otherwise indicated,  $T_A = +25^\circ\text{C}$ ,  $V_{DD} = 5\text{V}$ ,  $V_{SS} = 0\text{V}$ .



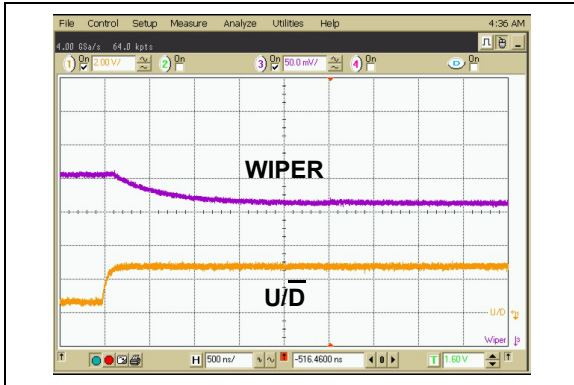
**FIGURE 2-36:**  $10\text{ k}\Omega$ —Nominal Resistance ( $\Omega$ ) vs. Ambient Temperature and  $V_{DD}$ .



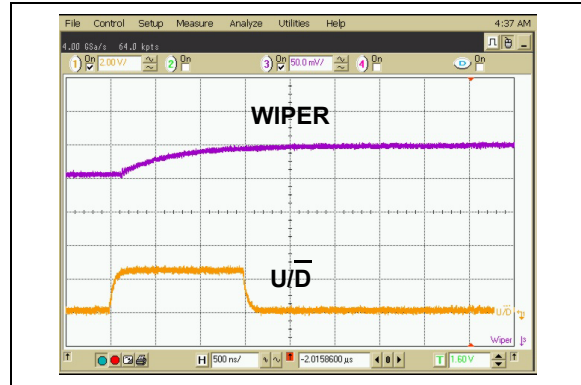
**FIGURE 2-37:**  $10\text{ k}\Omega$ — $R_{WB}$  ( $\Omega$ ) vs. Wiper Setting and Ambient Temperature.

# MCP4011/2/3/4

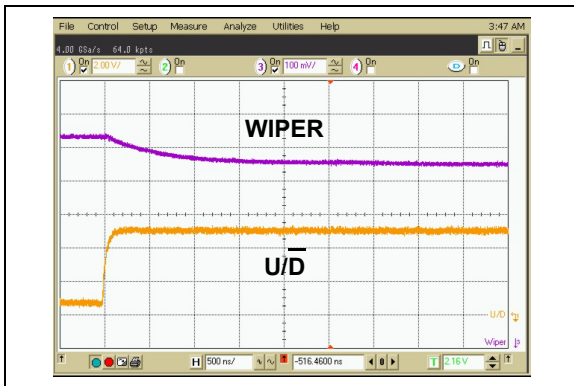
Note: Unless otherwise indicated,  $T_A = +25^\circ\text{C}$ ,  $V_{DD} = 5\text{V}$ ,  $V_{SS} = 0\text{V}$ .



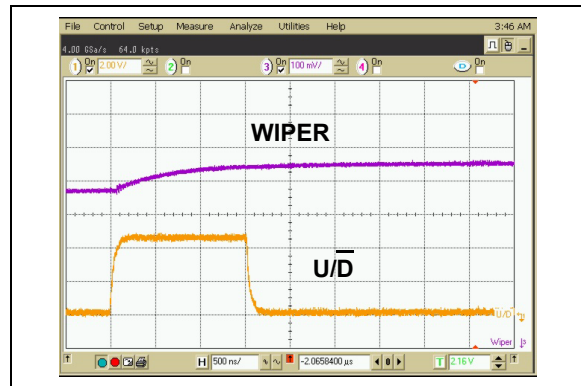
**FIGURE 2-38:**  $10\text{ k}\Omega$  – Low-Voltage Decrement Wiper Settling Time ( $V_{DD} = 2.7\text{V}$ ).



**FIGURE 2-40:**  $10\text{ k}\Omega$  – Low-Voltage Increment Wiper Settling Time ( $V_{DD} = 2.7\text{V}$ ).

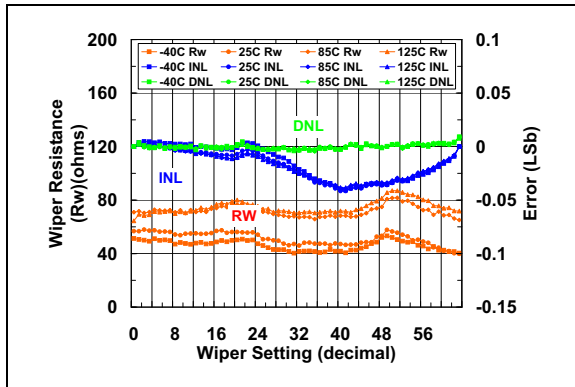


**FIGURE 2-39:**  $10\text{ k}\Omega$  – Low-Voltage Decrement Wiper Settling Time ( $V_{DD} = 5.5\text{V}$ ).

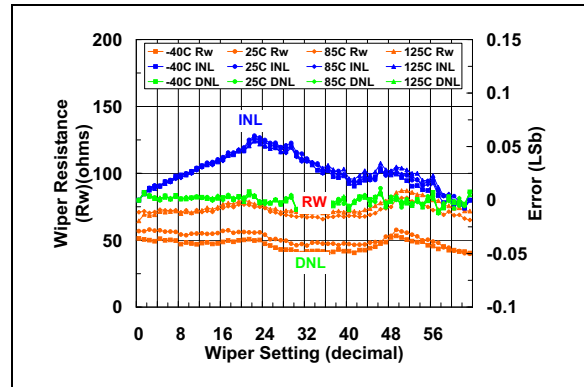


**FIGURE 2-41:**  $10\text{ k}\Omega$  – Low-Voltage Increment Wiper Settling Time ( $V_{DD} = 5.5\text{V}$ ).

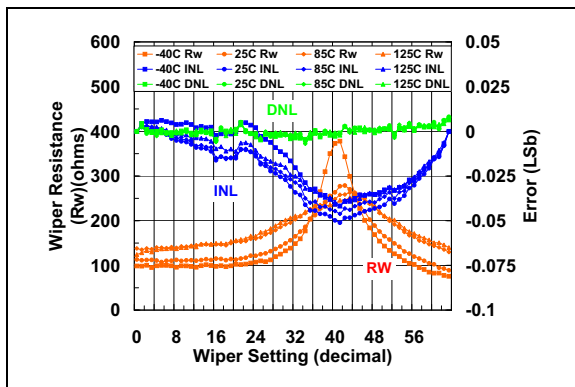
**Note:** Unless otherwise indicated,  $T_A = +25^\circ\text{C}$ ,  $V_{DD} = 5\text{V}$ ,  $V_{SS} = 0\text{V}$ .



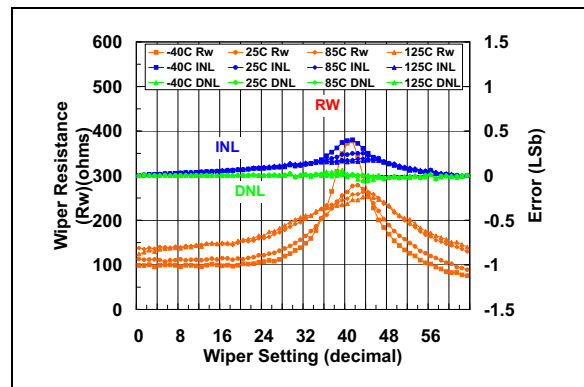
**FIGURE 2-42:** 50 k $\Omega$  Pot Mode –  $R_W$  ( $\Omega$ ), INL (LSb), DNL (LSb) vs. Wiper Setting and Ambient Temperature ( $V_{DD} = 5.5\text{V}$ ).



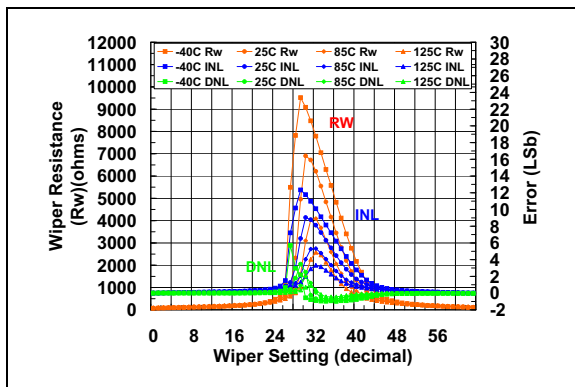
**FIGURE 2-45:** 50 k $\Omega$  Rheo Mode –  $R_W$  ( $\Omega$ ), INL (LSb), DNL (LSb) vs. Wiper Setting and Ambient Temperature ( $V_{DD} = 5.5\text{V}$ ).



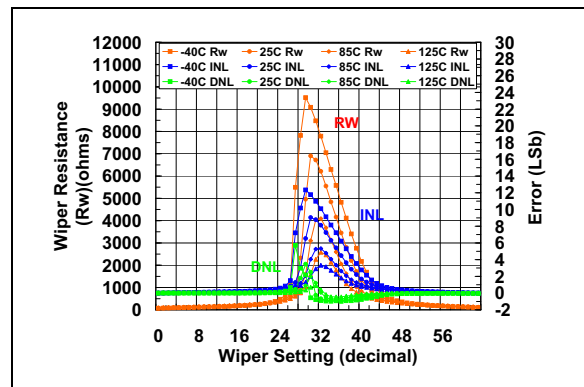
**FIGURE 2-43:** 50 k $\Omega$  Pot Mode –  $R_W$  ( $\Omega$ ), INL (LSb), DNL (LSb) vs. Wiper Setting and Ambient Temperature ( $V_{DD} = 2.7\text{V}$ ).



**FIGURE 2-46:** 50 k $\Omega$  Rheo Mode –  $R_W$  ( $\Omega$ ), INL (LSb), DNL (LSb) vs. Wiper Setting and Ambient Temperature ( $V_{DD} = 2.7\text{V}$ ).



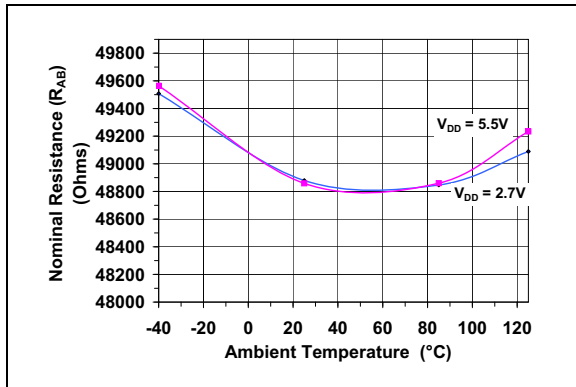
**FIGURE 2-44:** 50 k $\Omega$  Pot Mode –  $R_W$  ( $\Omega$ ), INL (LSb), DNL (LSb) vs. Wiper Setting and Ambient Temperature ( $V_{DD} = 1.8\text{V}$ ).



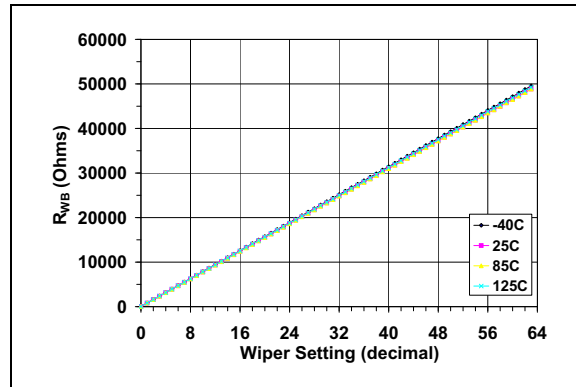
**FIGURE 2-47:** 50 k $\Omega$  Rheo Mode –  $R_W$  ( $\Omega$ ), INL (LSb), DNL (LSb) vs. Wiper Setting and Ambient Temperature ( $V_{DD} = 1.8\text{V}$ ).

# MCP4011/2/3/4

Note: Unless otherwise indicated,  $T_A = +25^\circ\text{C}$ ,  $V_{DD} = 5\text{V}$ ,  $V_{SS} = 0\text{V}$ .

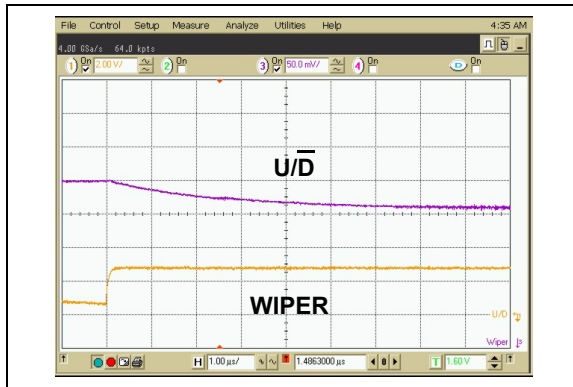


**FIGURE 2-48:**  $50\text{ k}\Omega$ —Nominal Resistance ( $\Omega$ ) vs. Ambient Temperature and  $V_{DD}$ .

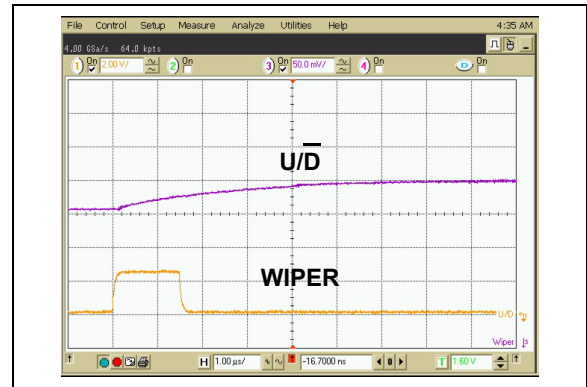


**FIGURE 2-49:**  $50\text{ k}\Omega$ — $R_{WB}$  ( $\Omega$ ) vs. Wiper Setting and Ambient Temperature.

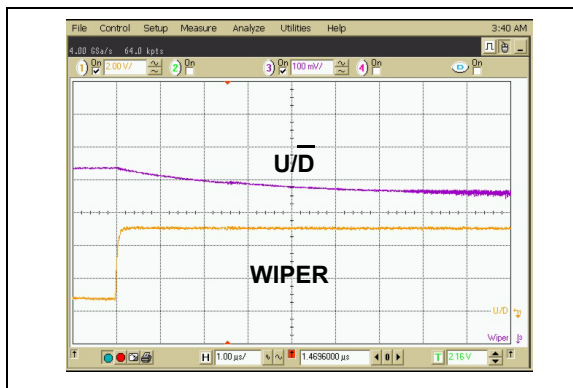
**Note:** Unless otherwise indicated,  $T_A = +25^\circ\text{C}$ ,  $V_{DD} = 5\text{V}$ ,  $V_{SS} = 0\text{V}$ .



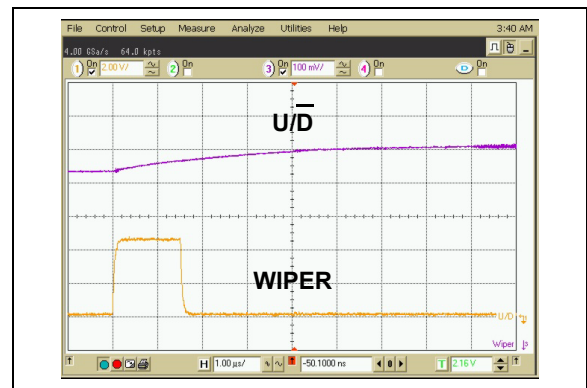
**FIGURE 2-50:** 50 k $\Omega$  – Low-Voltage Decrement Wiper Settling Time ( $V_{DD} = 2.7\text{V}$ ).



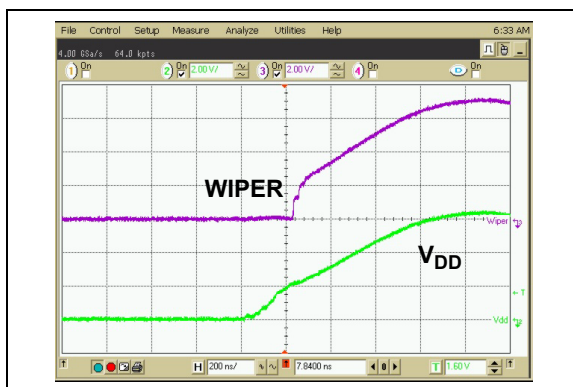
**FIGURE 2-53:** 50 k $\Omega$  – Low-Voltage Increment Wiper Settling Time ( $V_{DD} = 2.7\text{V}$ ).



**FIGURE 2-51:** 50 k $\Omega$  – Low-Voltage Decrement Wiper Settling Time ( $V_{DD} = 5.5\text{V}$ ).



**FIGURE 2-54:** 50 k $\Omega$  – Low-Voltage Increment Wiper Settling Time ( $V_{DD} = 5.5\text{V}$ ).



**FIGURE 2-52:** 50 k $\Omega$  – Power-Up Wiper Response Time.

# MCP4011/2/3/4

Note: Unless otherwise indicated,  $T_A = +25^\circ\text{C}$ ,  $V_{DD} = 5\text{V}$ ,  $V_{SS} = 0\text{V}$ .

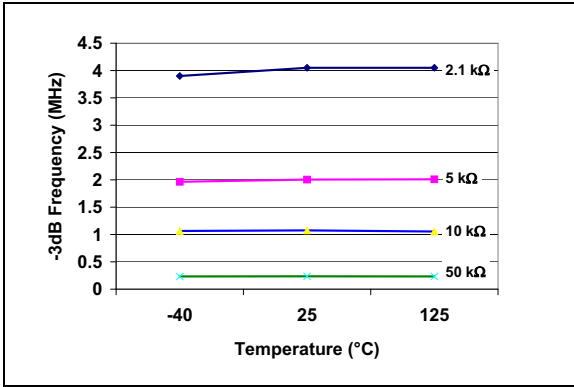


FIGURE 2-55: -3 dB Bandwidth vs. Temperature.

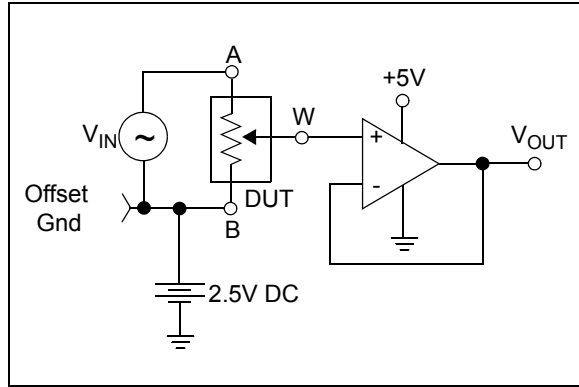


FIGURE 2-56: -3 dB Bandwidth Test Circuit.



## 3.0 PIN DESCRIPTIONS

The descriptions of the pins are listed in [Table 3-1](#).

**TABLE 3-1: PIN FUNCTION TABLE**

Pin Number			Symbol	Pin Type	Buffer Type	Function
MCP4011 (SOIC-8)	MCP4012 MCP4013 (SOT-23-6)	MCP4014 (SOT-23-5)				
1	1	1	$V_{DD}$	P	—	Positive Power Supply Input
2	2	2	$V_{SS}$	P	—	Ground
3	6	—	A	I/O	A	Potentiometer Terminal A
4	5	5	W	I/O	A	Potentiometer Wiper Terminal
5	4	4	$\overline{CS}$	I	TTL	Chip Select Input
6	—	—	B	I/O	A	Potentiometer Terminal B
7	—	—	NC	—	—	No Connection
8	3	3	$U/\overline{D}$	I	TTL	Increment/Decrement Input

**Legend:** TTL = TTL compatible input  
I = Input  
P = Power

A = Analog input  
O = Output

### 3.1 Positive Power Supply Input ( $V_{DD}$ )

The  $V_{DD}$  pin is the device's positive power supply input. The input power supply is relative to  $V_{SS}$  and can range from 1.8V to 5.5V. A decoupling capacitor on  $V_{DD}$  (to  $V_{SS}$ ) is recommended to achieve maximum performance.

### 3.2 Ground ( $V_{SS}$ )

The  $V_{SS}$  pin is the device ground reference.

### 3.3 Potentiometer Terminal A

The terminal A pin is connected to the internal potentiometer's terminal A (available on some devices). The potentiometer's terminal A is the fixed connection to the 0x3F terminal of the digital potentiometer.

The terminal A pin is available on the MCP4011, MCP4012 and MCP4013 devices. The terminal A pin does not have a polarity relative to the terminal W or B pins. The terminal A pin can support both positive and negative current. The voltage on terminal A must be between  $V_{SS}$  and  $V_{DD}$ .

The terminal A pin is not available on the MCP4014. The potentiometer's terminal A is internally floating.

### 3.4 Potentiometer Wiper (W) Terminal

The terminal W pin is connected to the internal potentiometer's terminal W (the wiper). The wiper terminal is the adjustable terminal of the digital potentiometer. The terminal W pin does not have a polarity relative to terminals A or B pins. The terminal W pin can support both positive and negative current. The voltage on terminal W must be between  $V_{SS}$  and  $V_{DD}$ .

### 3.5 Potentiometer Terminal B

The terminal B pin is connected to the internal potentiometer's terminal B (available on some devices). The potentiometer's terminal B is the fixed connection to the 0x00 terminal of the digital potentiometer.

The terminal B pin is available on the MCP4011 device. The terminal B pin does not have a polarity relative to the terminal W or A pins. The terminal B pin can support both positive and negative current. The voltage on terminal B must be between  $V_{SS}$  and  $V_{DD}$ .

The terminal B pin is not available on the MCP4012, MCP4013 and MCP4014 devices.

For the MCP4013 and MCP4014, the internal potentiometer's terminal B is internally connected to  $V_{SS}$ . Terminal B does not have a polarity relative to terminals W or A. Terminal B can support both positive and negative current.

For the MCP4012, terminal B is internally floating.

# MCP4011/2/3/4

---

## 3.6 $\overline{\text{CS}}$ Chip Select ( $\overline{\text{CS}}$ )

The  $\overline{\text{CS}}$  pin is the chip select input. Forcing the  $\overline{\text{CS}}$  pin to  $V_{\text{IL}}$  enables the serial commands. These commands can increment and decrement the wiper. Forcing the  $\overline{\text{CS}}$  pin to  $V_{\text{IHH}}$  enables the high-voltage serial commands. These commands can increment and decrement the wiper and are compatible with the MCP402X devices. The wiper is saved to volatile memory (RAM).

The  $\overline{\text{CS}}$  pin has an internal pull-up resistor. The resistor will become “disabled” when the voltage on the  $\overline{\text{CS}}$  pin is below the  $V_{\text{IH}}$  level. This means that when the  $\overline{\text{CS}}$  pin is “floating”, the  $\overline{\text{CS}}$  pin will be pulled to the  $V_{\text{IH}}$  level (serial communication (the U/D pin) is ignored). And when the  $\overline{\text{CS}}$  pin is driven low ( $V_{\text{IL}}$ ), the resistance becomes very large to reduce the device current consumption when serial commands are occurring. See [Figure 2-3](#) for additional information.

## 3.7 $\overline{\text{U/D}}$ Increment/Decrement ( $\overline{\text{U/D}}$ )

The  $\overline{\text{U/D}}$  pin input is used to increment or decrement the wiper on the digital potentiometer. An increment moves the wiper one step toward terminal A, while a decrement moves the wiper one step toward terminal B.

## 4.0 GENERAL OVERVIEW

The MCP402X devices are general-purpose digital potentiometers intended to be used in applications where a programmable resistance with moderate bandwidth is desired.

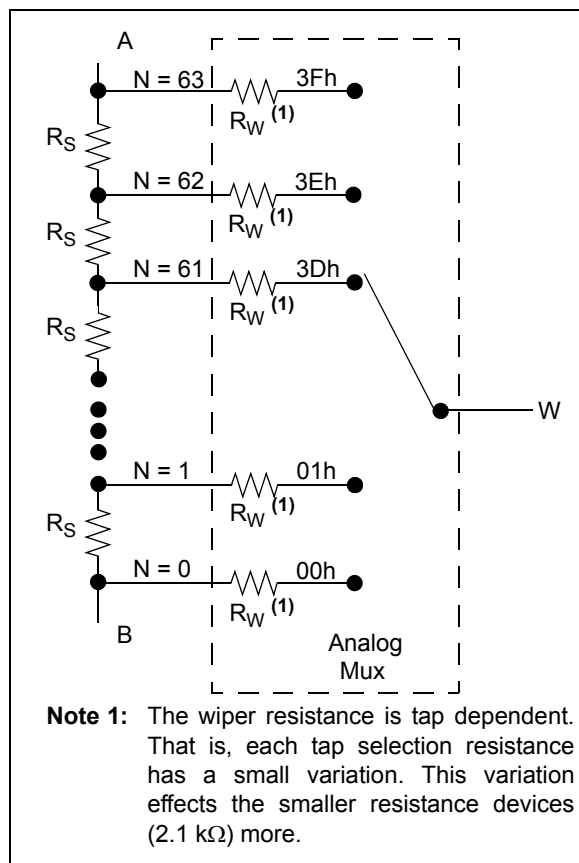
Applications generally suited for the MCP402X devices include:

- Set point or offset trimming
- Sensor calibration
- Selectable gain and offset amplifier designs
- Cost-sensitive mechanical trim pot replacement

The digital potentiometer is available in four nominal resistances ( $R_{AB}$ ), where the nominal resistance is defined as the resistance between terminal A and terminal B. The four nominal resistances are 2.1 k $\Omega$ , 5 k $\Omega$ , 10 k $\Omega$  and 50 k $\Omega$ .

There are 63 resistors in a string between terminal A and terminal B. The wiper can be set to tap onto any of these 63 resistors thus providing 64 possible settings (including terminal A and terminal B).

Figure 4-1 shows a block diagram for the resistive network of the device. Equation 4-1 shows the calculation for the step resistance, while Equation 4-2 illustrates the calculation used to determine the resistance between the wiper and terminal B.



**FIGURE 4-1:** Resistor Block Diagram.

### EQUATION 4-1: $R_S$ CALCULATION

$$R_S = \frac{R_{AB}}{63}$$

### EQUATION 4-2: $R_{WB}$ CALCULATION

$$R_{WB} = \frac{R_{AB}N}{63} + R_W$$

$N = 0$  to 63 (decimal)

The ideal resistance difference between two successive codes is 1 LSB. If we use  $N = 1$  and  $R_W = 0$  in Equation 4-2, we can calculate the step size for each increment or decrement command.

The MCP4011 device offers a voltage divider (potentiometer) with all terminals available on pins.

The MCP4012 is a true rheostat, with terminal A and the wiper (W) of the variable resistor available on pins.

The MCP4013 device offers a voltage divider (potentiometer) with terminal B connected to ground.

The MCP4014 device is a Rheostat device with terminal A of the resistor floating, terminal B connected to ground, and the wiper (W) available on pin.

The MCP4011 can be externally configured to implement any of the MCP4012, MCP4013 or MCP4014 configurations.

## 4.1 Serial Interface

A 2-wire synchronous serial protocol is used to increment or decrement the digital potentiometer's wiper terminal. The Increment/Decrement (U/D) protocol utilizes the  $\overline{CS}$  and U/D input pins. Both inputs are tolerant of signals up to 12.5V without damaging the device. The  $\overline{CS}$  pin can differentiate between two high-voltage levels,  $V_{IH}$  and  $V_{IHH}$ . This enables additional commands without requiring additional input pins. The high-voltage commands ( $V_{IHH}$  on the  $\overline{CS}$  pin) are similar to the standard commands and are supported for compatibility to the MCP401X family of devices.

The simple U/D protocol uses the state of the U/D pin at the falling edge of the  $\overline{CS}$  pin to determine if Increment or Decrement mode is desired. Subsequent rising edges of the U/D pin move the wiper.

The wiper value will not underflow or overflow.

# MCP4011/2/3/4

## 4.2 Power-Up

When the device powers up (rising  $V_{DD}$  crosses the Trip Point Voltage ( $V_{TP}$ )), the default wiper setting is restored. Table 4-1 shows the default value loaded into the wiper on POR/BOR.

**TABLE 4-1: DEFAULT POR WIPER SETTING SELECTION**

Package Code	Default POR Wiper Setting	Wiper Code	Typical $R_{AB}$ Value
-202	Mid-scale	1Fh	2.1 k $\Omega$
-502	Mid-scale	1Fh	5.0 k $\Omega$
-103	Mid-scale	1Fh	10.0 k $\Omega$
-503	Mid-scale	1Fh	50.0 k $\Omega$

While  $V_{DD} < V_{min}$  (1.8V), the electrical performance may not meet the data sheet specifications (see Figure 4-2). The wiper state may be unknown. Also, the device may be capable of incrementing or decrementing, if a valid command is detected on the  $\overline{CS}$  and  $U/\overline{D}$  pins.

## 4.3 Brown-Out

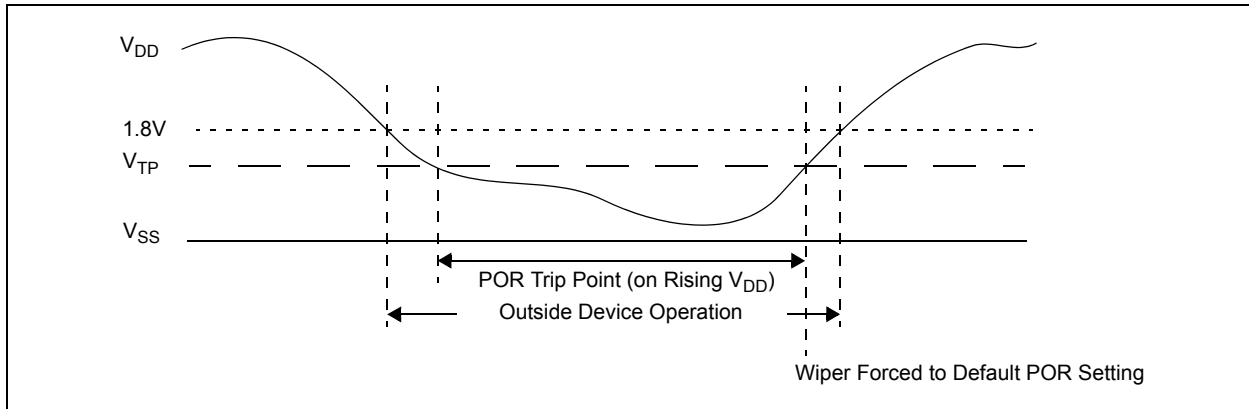
If the device  $V_{DD}$  is below the specified minimum voltage, care must be taken to ensure that the  $\overline{CS}$  and  $U/\overline{D}$  pins do not “create” any of the serial commands.

When the device  $V_{DD}$  drops below  $V_{MIN}$  (1.8V), the electrical performance may not meet the data sheet specifications (see Figure 4-2). The wiper state may be unknown. Also, the device may be capable of incrementing or decrementing, if a valid command is detected on the  $\overline{CS}$  and  $U/\overline{D}$  pins.

When the device voltage rises from below the power-up trip point ( $V_{TP}$ ) into the valid operation voltage range, the wiper state will be forced to the default POR wiper setting (see Table 4-1).

## 4.4 Serial Interface Inactive

The serial interface is inactive any time the  $\overline{CS}$  pin is at  $V_{IH}$  and all write cycles are completed.



**FIGURE 4-2: Power-Up and Brown-Out.**

## 5.0 SERIAL INTERFACE

### 5.1 Overview

The MCP4011/2/3/4 utilizes a simple 2-wire interface to increment or decrement the digital potentiometer's wiper terminal (W). This interface uses the  $\overline{\text{CS}}$  and  $\text{U}/\overline{\text{D}}$  pins. The  $\overline{\text{CS}}$  pin is the Chip Select input, while the  $\text{U}/\overline{\text{D}}$  pin is the Up/Down input.

The Increment/Decrement protocol enables the device to move one step at a time through the range of possible resistance values. The wiper value is initialized with the "default" value upon power-up.

A wiper value of 00h connects the wiper to terminal B. A wiper value of 3Fh connects the wiper to terminal A. Increment commands move the wiper toward terminal A, but will not increment to a value greater than 3Fh. Decrement commands move the wiper toward terminal B, but will not decrement below 00h.

Refer to **Section 1.0 "Electrical Characteristics"**, AC/DC Electrical Characteristics table for detailed input threshold and timing specifications.

Communication is unidirectional. Therefore, the value of the current wiper setting cannot be read out of the MCP401X device.

### 5.2 Serial Commands

The MCP401X devices support eight serial commands. Six of these commands are for support and to ease migration with the MCP402X family of devices. The commands can be grouped into the following types:

- Serial Commands
- High-voltage Serial Commands

All the commands are shown in [Table 5-1](#).

The command type is determined by the voltage level the  $\overline{\text{CS}}$  pin is driven to. The initial state that the  $\overline{\text{CS}}$  pin must be driven is  $V_{IH}$ . From  $V_{IH}$ , the two levels that the  $\overline{\text{CS}}$  pin can be driven are:

- $V_{IL}$
- $V_{IHH}$

If the  $\overline{\text{CS}}$  pin is driven from  $V_{IH}$  to  $V_{IL}$ , a serial command is selected. If the  $\overline{\text{CS}}$  pin is driven from  $V_{IH}$  to  $V_{IHH}$ , a high-voltage serial command is selected.

Support of the high-voltage serial commands is for compatibility with the MCP402X devices.

**TABLE 5-1: COMMANDS**

Command Name	High Voltage on CS Pin?
<a href="#">Increment</a>	—
<a href="#">Increment (for MCP402X Compatibility)</a>	—
<a href="#">Decrement</a>	—
<a href="#">Decrement (for MCP402X Compatibility)</a>	—
<a href="#">High-Voltage Increment 1 (for MCP402X Compatibility)</a>	Yes
<a href="#">High-Voltage Increment 2 (for MCP402X Compatibility)</a>	Yes
<a href="#">High-Voltage Decrement 1 (for MCP402X Compatibility)</a>	Yes
<a href="#">High-Voltage Decrement 2 (for MCP402X Compatibility)</a>	Yes

# MCP4011/2/3/4

## 5.2.1 INCREMENT

This mode is achieved by initializing the  $\overline{U/D}$  pin to a high state ( $V_{IH}$ ) prior to achieving a low state ( $V_{IL}$ ) on the  $\overline{CS}$  pin. Subsequent rising edges of the  $\overline{U/D}$  pin increment the wiper setting toward terminal A. This is shown in Figure 5-1.

After the wiper is incremented to the desired position, the  $\overline{CS}$  pin should be forced to  $V_{IH}$  to ensure that “unexpected” transitions on the  $\overline{U/D}$  pin do not cause the wiper setting to increment. Driving the  $\overline{CS}$  pin to  $V_{IH}$  should occur as soon as possible (within device specifications) after the last desired increment occurs.

When the device voltage falls below the RAM retention voltage of the device, the wiper state may be corrupted. When the device returns to the operating range, the wiper will be loaded with the default POR wiper setting.

After the  $\overline{CS}$  pin is driven to  $V_{IH}$  (from  $V_{IL}$ ), any other serial command may immediately be entered.

**Note:** The wiper value will not overflow. That is, once the wiper value equals 0x3F, subsequent increment commands are ignored.

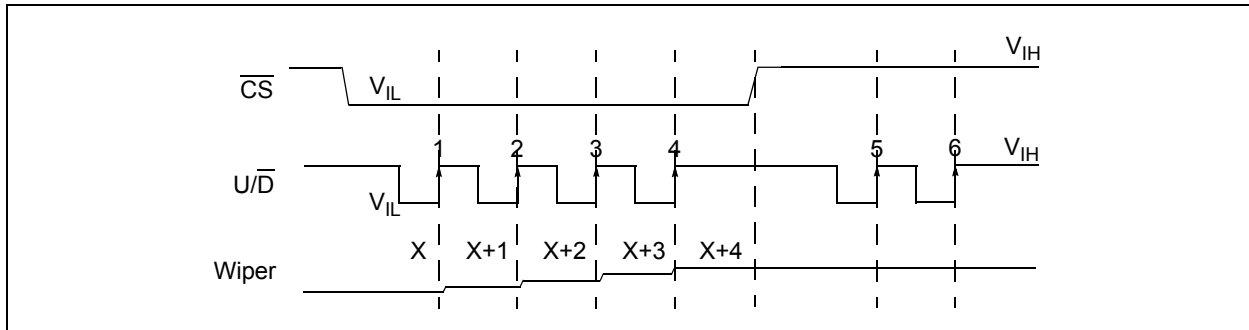


FIGURE 5-1: Increment.

## 5.2.2 INCREMENT (FOR MCP402X COMPATIBILITY)

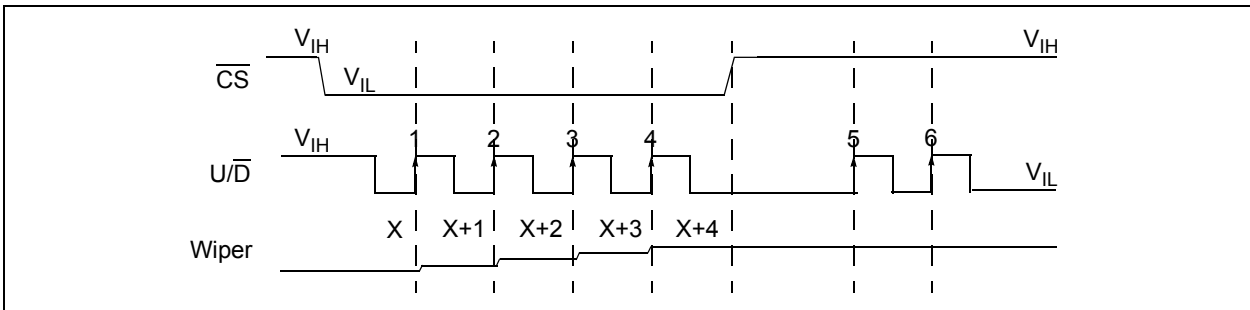
**Note:** This command allows compatibility with the MCP402X family, which supports updating of the nonvolatile wiper setting.

This mode is achieved by initializing the  $\overline{U/D}$  pin to a high state ( $V_{IH}$ ) prior to achieving a low state ( $V_{IL}$ ) on the  $\overline{CS}$  pin. Subsequent rising edges of the  $\overline{U/D}$  pin increments the wiper setting toward terminal A. This is shown in Figure 5-2.

After the wiper is incremented to the desired position, the  $\overline{U/D}$  pin should be driven low ( $V_{IL}$ ), and the  $\overline{CS}$  pin should be forced to  $V_{IH}$  to ensure that “unexpected” transitions on the  $\overline{U/D}$  pin do not cause the wiper setting to increment. Driving the  $\overline{CS}$  pin to  $V_{IH}$  should occur as soon as possible (within device specifications) after the last desired increment occurs.

When the device voltage falls below the RAM retention voltage of the device, the wiper state may be corrupted. When the device returns to the operating range, the wiper will be loaded with the Default POR wiper setting. After the  $\overline{CS}$  pin is driven to  $V_{IH}$  (from  $V_{IL}$ ), any other serial command may immediately be entered.

**Note:** The wiper value will not overflow. That is, once the wiper value equals 0x3F, subsequent increment commands are ignored.



**FIGURE 5-2:** Increment (For MCP402X Compatibility).

# MCP4011/2/3/4

## 5.2.3 DECREMENT

This mode is achieved by initializing the  $\overline{U/D}$  pin to a low state ( $V_{IL}$ ) prior to achieving a low state ( $V_{IL}$ ) on the  $\overline{CS}$  pin. Subsequent rising edges of the  $\overline{U/D}$  pin will decrement the wiper setting toward terminal B. This is shown in Figure 5-3.

After the wiper is decremented to the desired position, the  $\overline{U/D}$  pin should be forced low ( $V_{IL}$ ) and the  $\overline{CS}$  pin should be forced to  $V_{IH}$ . This will ensure that “unexpected” transitions on the  $\overline{U/D}$  pin do not cause the wiper setting to decrement. Driving the  $\overline{CS}$  pin to  $V_{IH}$  should occur as soon as possible (within device specifications) after the last desired increment occurs.

When the device voltage falls below the RAM retention voltage of the device, the wiper state may be corrupted. When the device returns to the operating range, the wiper will be loaded with the default POR wiper setting.

After the  $\overline{CS}$  pin is driven to  $V_{IH}$  (from  $V_{IL}$ ), any other serial command may immediately be entered.

**Note:** The wiper value will not underflow. That is, once the wiper value equals 0x00, subsequent decrement commands are ignored.

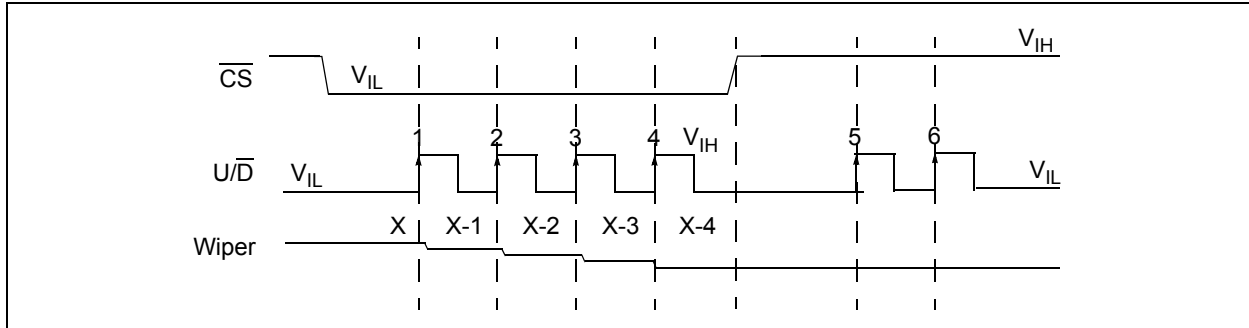


FIGURE 5-3: Decrement.



## 5.2.4 DECREMENT (FOR MCP402X COMPATIBILITY)

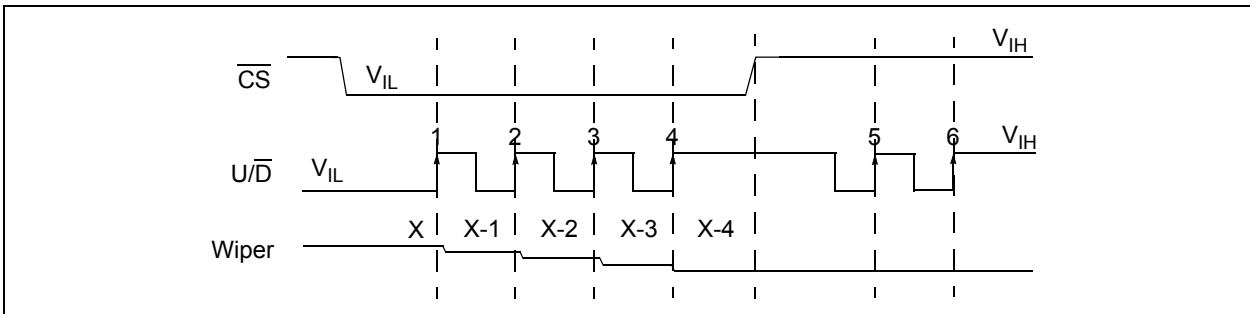
**Note:** This command allows compatibility with the MCP402X family, which supports updating of the nonvolatile wiper setting.

This mode is achieved by initializing the  $\overline{U/D}$  pin to a low state ( $V_{IL}$ ) prior to achieving a low state ( $V_{IL}$ ) on the  $\overline{CS}$  pin. Subsequent rising edges of the  $\overline{U/D}$  pin decrement the wiper setting toward terminal B. This is shown in Figure 5-4.

After the wiper is decremented to the desired position, the  $\overline{U/D}$  pin should remain high ( $V_{IH}$ ), and the  $\overline{CS}$  pin should be forced to  $V_{IH}$  to ensure that “unexpected” transitions on the  $\overline{U/D}$  pin do not cause the wiper setting to increment. Driving the  $\overline{CS}$  pin to  $V_{IH}$  should occur as soon as possible (within device specifications) after the last desired increment occurs.

When the device voltage falls below the RAM retention voltage of the device, the wiper state may be corrupted. When the device returns to the operating range, the wiper will be loaded with the default POR wiper setting. After the  $\overline{CS}$  pin is driven to  $V_{IH}$  (from  $V_{IL}$ ), any other serial command may immediately be entered.

**Note:** The wiper value will not underflow. That is, once the wiper value equals 0x00, subsequent decrement commands are ignored.



**FIGURE 5-4:** Decrement (for MCP402X Compatibility).

# MCP4011/2/3/4

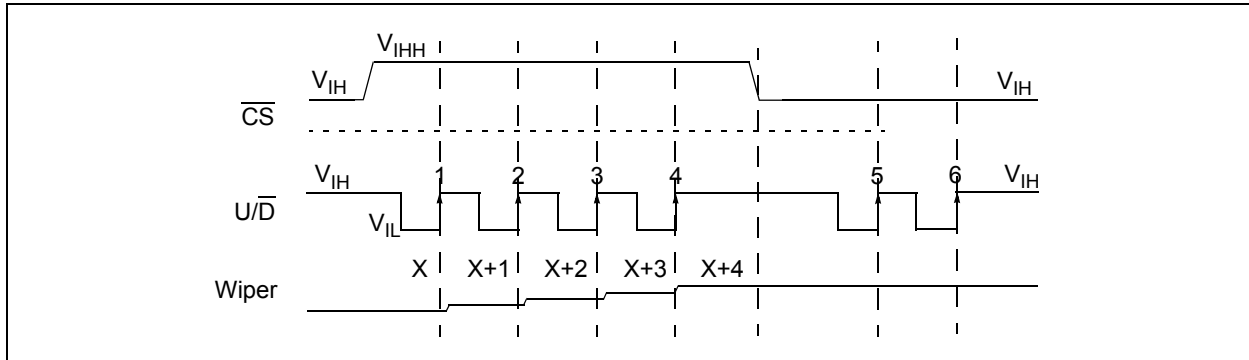
## 5.2.5 HIGH-VOLTAGE INCREMENT 1 (FOR MCP402X COMPATIBILITY)

**Note:** This command allows compatibility with the MCP402X family, which supports updating of the nonvolatile wiper setting with the WiperLock Technology feature.

This mode is achieved by initializing the  $\overline{U/D}$  pin to a high state ( $V_{IH}$ ) prior to the  $\overline{CS}$  pin being driven to  $V_{IHH}$ . Subsequent rising edges of the  $\overline{U/D}$  pin increment the wiper setting toward terminal A. Set the  $\overline{U/D}$  pin to the high state ( $V_{IH}$ ) prior to forcing the  $\overline{CS}$  pin to  $V_{IH}$ . This is shown in Figure 5-5.

After the  $\overline{CS}$  pin is driven to  $V_{IH}$  (from  $V_{IL}$ ), any other serial command may immediately be entered.

**Note:** The wiper value will not overflow. That is, once the wiper value equals 0x3F, subsequent increment commands are ignored.



**FIGURE 5-5:** High-Voltage Increment 1 (for MCP402X Compatibility).

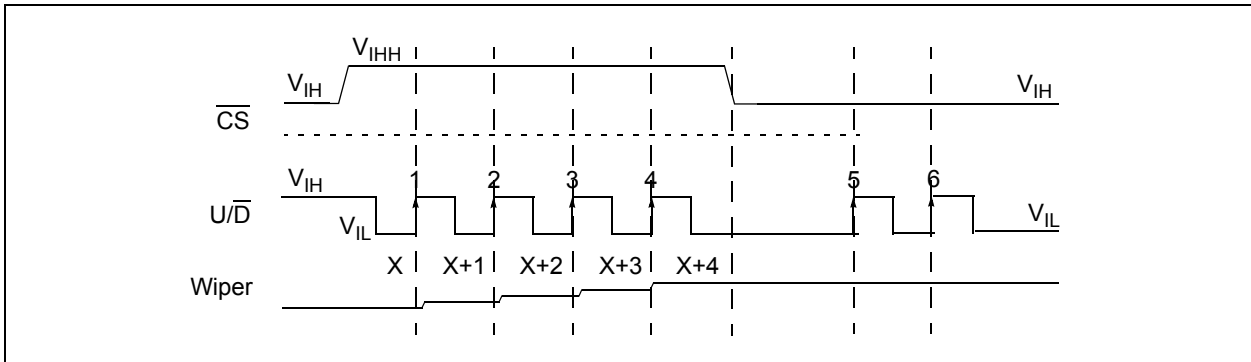
## 5.2.6 HIGH-VOLTAGE INCREMENT 2 (FOR MCP402X COMPATIBILITY)

**Note:** This command allows compatibility with the MCP402X family, which supports updating of the nonvolatile wiper setting with the WiperLock Technology feature.

After the  $\overline{\text{CS}}$  pin is driven to  $V_{IH}$  (from  $V_{IL}$ ), any other serial command may immediately be entered.

**Note:** The wiper value will not overflow. That is, once the wiper value equals 0x3F, subsequent increment commands are ignored.

This mode is achieved by initializing the  $\text{U}/\overline{\text{D}}$  pin to a high state ( $V_{IH}$ ) prior to the  $\overline{\text{CS}}$  pin being driven to  $V_{IHH}$ . Subsequent rising edges of the  $\text{U}/\overline{\text{D}}$  pin increment the wiper setting toward terminal A. Set the  $\text{U}/\overline{\text{D}}$  pin to the low state ( $V_{IL}$ ) prior to forcing the  $\overline{\text{CS}}$  pin to  $V_{IH}$ . This is shown in Figure 5-6.



**FIGURE 5-6:** High-Voltage Increment 2 (for MCP402X Compatibility).

# MCP4011/2/3/4

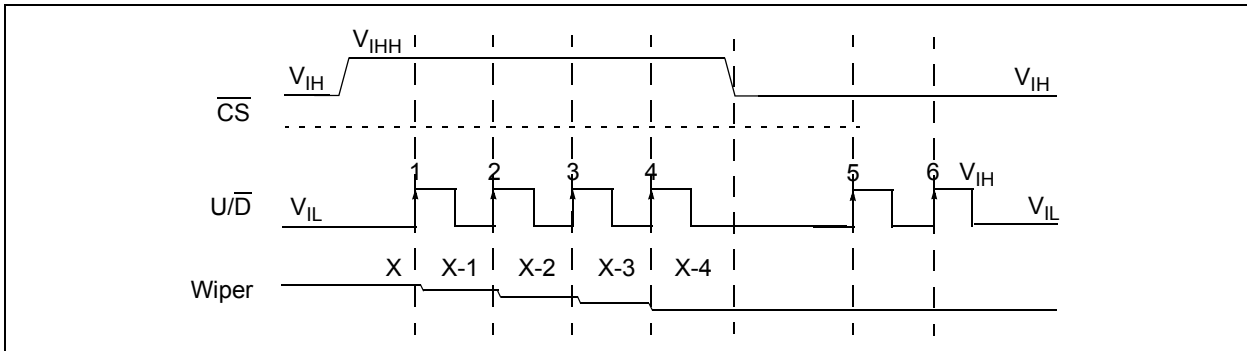
## 5.2.7 HIGH-VOLTAGE DECREMENT 1 (FOR MCP402X COMPATIBILITY)

**Note:** This command allows compatibility with the MCP402X family, which supports updating of the nonvolatile wiper setting with the WiperLock Technology feature.

This mode is achieved by initializing the  $\overline{U/D}$  pin to a low state ( $V_{IL}$ ) prior to the  $\overline{CS}$  pin being driven to  $V_{IHH}$ . Subsequent rising edges of the  $\overline{U/D}$  pin decrement the wiper setting toward terminal B. Set the  $\overline{U/D}$  pin to the low state ( $V_{IL}$ ) prior to forcing the  $\overline{CS}$  pin to  $V_{IH}$ . This is shown in Figure 5-7.

After the  $\overline{CS}$  pin is driven to  $V_{IH}$  (from  $V_{IL}$ ), any other serial command may immediately be entered.

**Note:** The wiper value will not underflow. That is, once the wiper value equals 0x00, subsequent decrement commands are ignored.



**FIGURE 5-7:** High-Voltage Decrement 1 (for MCP402X Compatibility).

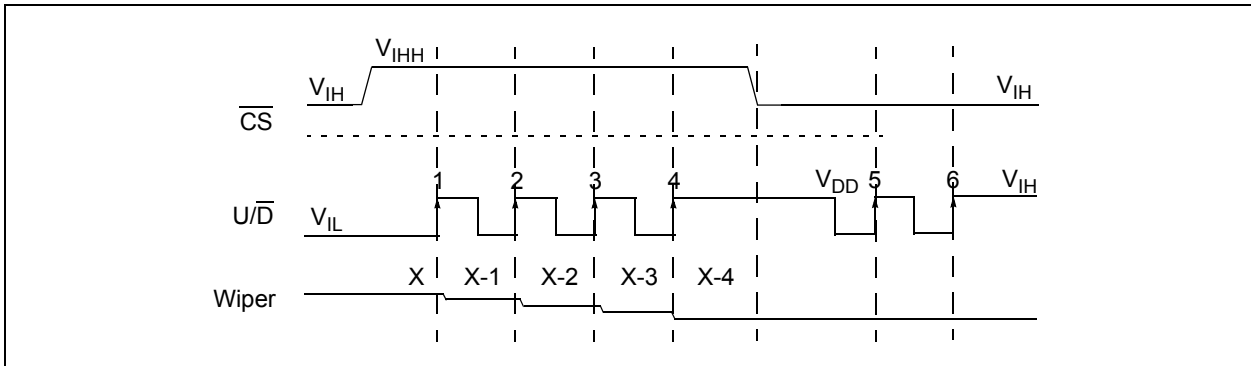
## 5.2.8 HIGH-VOLTAGE DECREMENT 2 (FOR MCP402X COMPATIBILITY)

**Note:** This command allows compatibility with the MCP402X family, which supports updating of the nonvolatile wiper setting with the WiperLock Technology feature.

After the  $\overline{CS}$  pin is driven to  $V_{IH}$  (from  $V_{IL}$ ), any other serial command may immediately be entered.

**Note:** The wiper value will not underflow. That is, once the wiper value equals 0x00, subsequent decrement commands are ignored.

This mode is achieved by initializing the  $\overline{U/D}$  pin to the low state ( $V_{IL}$ ) prior to driving the  $\overline{CS}$  pin to  $V_{IHH}$ . Subsequent rising edges of the  $\overline{U/D}$  pin decrement the wiper setting toward terminal B. Set the  $\overline{U/D}$  pin to a high state ( $V_{IH}$ ) prior to forcing the  $\overline{CS}$  pin to  $V_{IH}$ . This is shown in Figure 5-8.



**FIGURE 5-8:** High-Voltage Decrement 2 (for MCP402X Compatibility).

# MCP4011/2/3/4

## 5.3 $\overline{CS}$ High Voltage

The  $\overline{CS}$  pin is high-voltage ( $V_{IHH}$ ) tolerant, like the MCP402X. This allows the MCP401X to be used in MCP402X applications without needing to change other portions of the application circuit.

## 6.0 RESISTOR

Digital potentiometer applications can be divided into two categories:

- Rheostat configuration
- Potentiometer (or voltage divider) configuration

Figure 6-1 shows a block diagram for the MCP401X resistors.

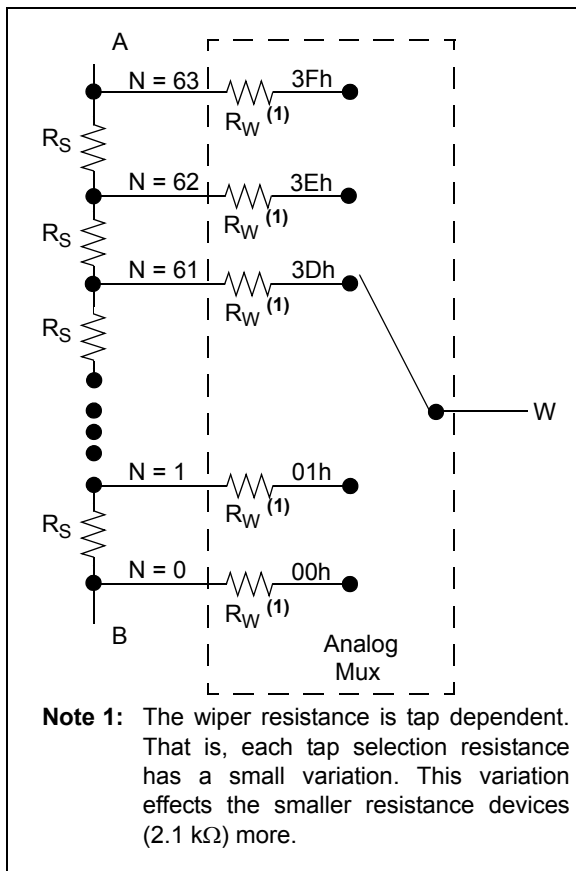


FIGURE 6-1: Resistor Block Diagram.

Step resistance ( $R_S$ ) is the resistance from one tap setting to the next. This value will be dependent on the  $R_{AB}$  value that has been selected. Table 6-1 shows the typical step resistances for each device.

The total resistance of the device has minimal variation due to operating voltage (see Figure 2-11, Figure 2-24, Figure 2-36 or Figure 2-48).

TABLE 6-1: TYPICAL STEP RESISTANCES

Part Number	Typical Resistance ( $\Omega$ )	
	Total ( $R_{AB}$ )	Step ( $R_S$ )
MCP401X-202E	2100	33.33
MCP401X-502E	5000	79.37
MCP401X-103E	10000	158.73
MCP401X-503E	50000	793.65

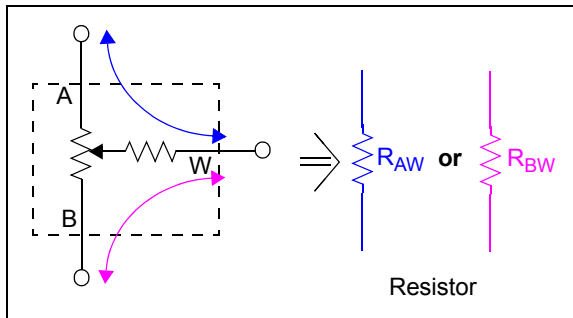
Terminal A and B, as well as the wiper W, do not have a polarity. These terminals can support both positive and negative current.

## 6.1 Resistor Configurations

### 6.1.1 RHEOSTAT CONFIGURATION

When used as a rheostat, two of the three digital potentiometer's terminals are used as a resistive element in the circuit. With terminal W (wiper) and either terminal A or terminal B, a variable resistor is created. The resistance will depend on the tap setting of the wiper and the wiper's resistance. The resistance is controlled by changing the wiper setting.

The unused terminal (B or A) should be left floating. [Figure 6-2](#) shows the two possible resistors that can be used. Reversing the polarity of the A and B terminals will not affect operation.



**FIGURE 6-2:** Rheostat Configuration.

This allows the control of the total resistance between the two nodes. The total resistance depends on the “starting” terminal to the wiper terminal. At the code 00h, the  $R_{BW}$  resistance is minimal ( $R_W$ ), but the  $R_{AW}$  resistance is maximized ( $R_{AB} + R_W$ ). Conversely, at the code 3Fh, the  $R_{AW}$  resistance is minimal ( $R_W$ ), but the  $R_{BW}$  resistance is maximized ( $R_{AB} + R_W$ ).

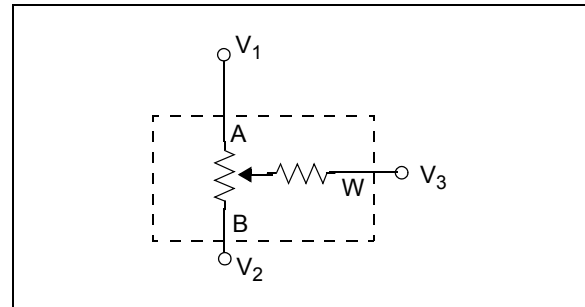
The resistance step size ( $R_S$ ) equates to one LSb of the resistor.

**Note:** To avoid damage to the internal wiper circuitry in this configuration, care should be taken to insure the current flow never exceeds 2.5 mA.

The change in wiper-to-end terminal resistance over temperature is shown in [Figure 2-11](#), [Figure 2-24](#), [Figure 2-36](#) and [Figure 2-48](#). The most variation over temperature will occur in the first few codes due to the wiper resistance coefficient affecting the total resistance. The remaining codes are dominated by the total resistance tempco  $R_{AB}$ .

### 6.1.2 POTENTIOMETER CONFIGURATION

When used as a potentiometer, all three terminals are tied to different nodes in the circuit. This allows the potentiometer to output a voltage proportional to the input voltage. This configuration is sometimes called voltage divider mode. The potentiometer is used to provide a variable voltage by adjusting the wiper position between the two endpoints as shown in [Figure 6-3](#). Reversing the polarity of the A and B terminals will not affect operation.



**FIGURE 6-3:** Potentiometer Configuration.

The temperature coefficient of the  $R_{AB}$  resistors is minimal by design. In this configuration, the resistors all change uniformly, so minimal variation should be seen.

The wiper resistor temperature coefficient is different from the  $R_{AB}$  temperature coefficient. The voltage at node  $V_3$  ([Figure 6-3](#)) is not dependent on this wiper resistance, just the ratio of the  $R_{AB}$  resistors, so this temperature coefficient in most cases can be ignored.

**Note:** To avoid damage to the internal wiper circuitry in this configuration, care should be taken to insure the current flow never exceeds 2.5 mA.

# MCP4011/2/3/4

## 6.2 Wiper Resistance

Wiper resistance is the series resistance of the wiper. This resistance is typically measured when the wiper is positioned at either zero-scale (00h) or full-scale (3Fh).

The wiper resistance in potentiometer-generated voltage divider applications is not a significant source of error.

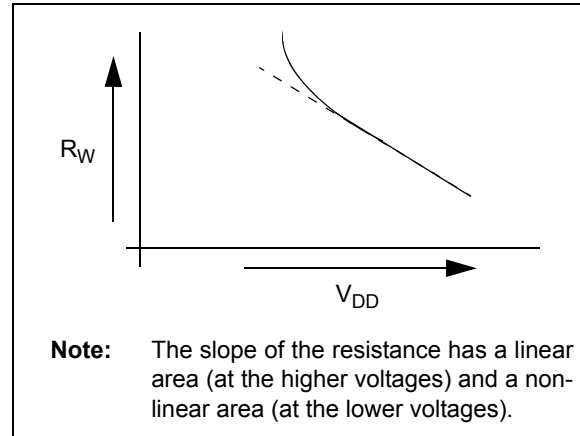
The wiper resistance in rheostat applications can create significant nonlinearity as the wiper is moved toward zero-scale (00h). The lower the nominal resistance, the greater the possible error.

Wiper resistance is significant depending on the devices operating voltage. As the device voltage decreases, the wiper resistance increases (see [Figure 6-4](#) and [Table 6-2](#)).

In a rheostat configuration, this change in voltage needs to be taken into account, particularly for the lower resistance devices. For the 2.1 kΩ device, the maximum wiper resistance at 5.5V is approximately 6% of the total resistance, while at 2.7V, it is approximately 15.5% of the total resistance.

In a potentiometer configuration, the wiper resistance variation does not effect the output voltage seen on the terminal W pin.

The slope of the resistance has a linear area (at the higher voltages) and a nonlinear area (at the lower voltages), where resistance increases faster than the voltage drop (at low voltages).



**FIGURE 6-4:** Relationship of Wiper Resistance ( $R_W$ ) to Voltage.

Since there is minimal variation of the total device resistance over voltage, at a constant temperature (see [Figure 2-11](#), [Figure 2-24](#), [Figure 2-36](#) or [Figure 2-48](#)), the change in wiper resistance over voltage can have a significant impact on the INL and DNL error.

**TABLE 6-2: TYPICAL STEP RESISTANCES AND RELATIONSHIP TO WIPER RESISTANCE**

Resistance ( $\Omega$ )					$R_W / R_S$ (%) <sup>(1, 2)</sup>			$R_W / R_{AB}$ (%) <sup>(1, 3)</sup>		
Typical		Wiper ( $R_W$ )			$R_W =$ Typical	$R_W =$ Max @ 5.5V	$R_W =$ Max @ 2.7V	$R_W =$ Typical	$R_W =$ Max @ 5.5V	$R_W =$ Max @ 2.7V
Total ( $R_{AB}$ )	Step ( $R_S$ )	Typical	Max @ 5.5V	Max @ 2.7V						
2100	33.33	75	125	325	225.0%	375.0%	975.0%	3.57%	5.95%	15.48%
5000	79.37	75	125	325	94.5%	157.5%	409.5%	1.5%	2.50%	6.50%
10000	158.73	75	125	325	47.25%	78.75%	204.75%	0.75%	1.25%	3.25%
50000	793.65	75	125	325	9.45%	15.75%	40.95%	0.15%	0.25%	0.65%

**Note 1:** The wiper resistance ( $R_W$ ) is not a significant source of error in potentiometer-generated voltage divider applications. In rheostat applications, the variation of the  $R_W$  value can create significant nonlinearity.

**2:**  $R_S$  is the typical value. The variation of this resistance is minimal over voltage.

**3:**  $R_{AB}$  is the typical value. The variation of this resistance is minimal over voltage.



## 6.3 Operational Characteristics

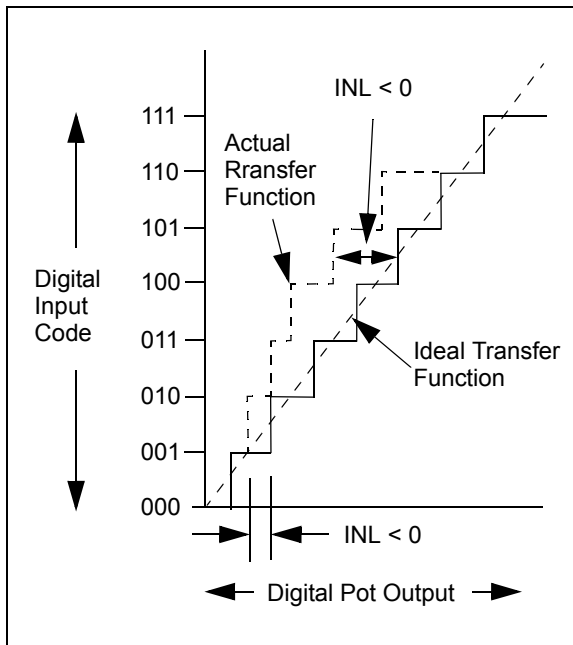
Understanding the operational characteristics of the device's resistor components is important to the system design.

### 6.3.1 ACCURACY

#### 6.3.1.1 Integral Nonlinearity (INL)

INL error for these devices is the maximum deviation between an actual code transition point and its corresponding ideal transition point after offset and gain errors have been removed. These endpoints are from 0x00 to 0x3F. Refer to [Figure 6-5](#).

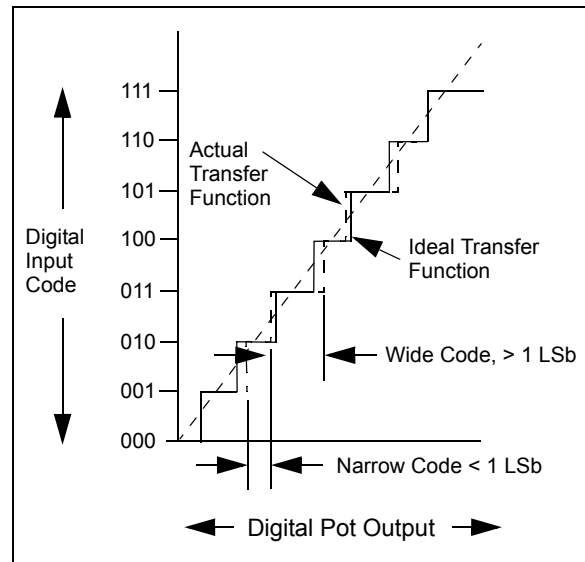
Positive INL means higher resistance than ideal. Negative INL means lower resistance than ideal.



**FIGURE 6-5:** INL Accuracy.

#### 6.3.1.2 Differential Nonlinearity (DNL)

DNL error is the measure of variations in code widths from the ideal code width. A DNL error of zero would imply that every code is exactly 1 LSB wide.



**FIGURE 6-6:** DNL Accuracy.

#### 6.3.1.3 Ratiometric Temperature Coefficient

The ratiometric temperature coefficient quantifies the error in the ratio  $R_{AW}/R_{WB}$  due to temperature drift. This is typically the critical error when using a potentiometer device (MCP4011 and MCP4013) in a voltage divider configuration.

#### 6.3.1.4 Absolute Temperature Coefficient

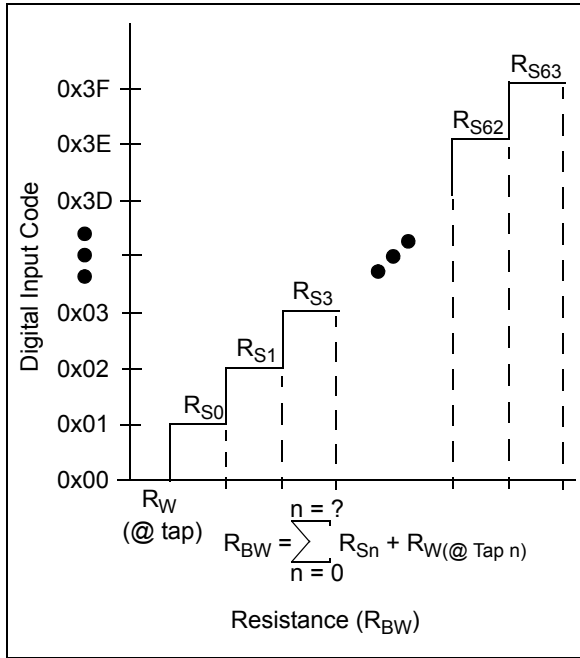
The absolute temperature coefficient quantifies the error in the end-to-end resistance (nominal resistance  $R_{AB}$ ) due to temperature drift. This is typically the critical error when using a rheostat device (MCP4012 and MCP4014) in an adjustable resistor configuration.

# MCP4011/2/3/4

## 6.3.2 MONOTONIC OPERATION

Monotonic operation means that the device's resistance increases with every step change (from terminal A to terminal B or terminal B to terminal A).

The wiper resistance is different at each tap location. When changing from one tap position to the next (either increasing or decreasing), the  $\Delta R_W$  is less than the  $\Delta R_S$ . When this change occurs, the device voltage and temperature are the same for the two tap positions.



**FIGURE 6-7:** Resistance  $R_{BW}$ .

## 7.0 DESIGN CONSIDERATIONS

In the design of a system with the MCP401X devices, the following considerations should be taken into account:

- The Power Supply
- The Layout

### 7.1 Power Supply Considerations

The typical application will require a bypass capacitor in order to filter high-frequency noise, which can be induced onto the power supply's traces. The bypass capacitor helps to minimize the effect of these noise sources on signal integrity. Figure 7-1 illustrates an appropriate bypass strategy.

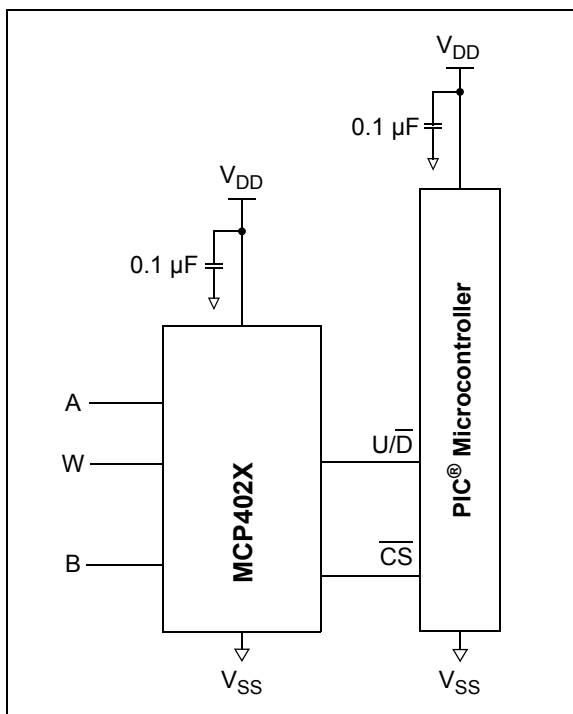
In this example, the recommended bypass capacitor value is 0.1  $\mu\text{F}$ . This capacitor should be placed as close (within 4 mm) to the device power pin ( $V_{\text{DD}}$ ) as possible.

The power source supplying these devices should be as clean as possible. If the application circuit has separate digital and analog power supplies,  $V_{\text{DD}}$  and  $V_{\text{SS}}$  should reside on the analog plane.

### 7.2 Layout Considerations

Inductively-coupled AC transients and digital switching noise can degrade the input and output signal integrity, potentially masking the MCP402X's performance. Careful board layout will minimize these effects and increase the Signal-to-Noise Ratio (SNR). Bench testing has shown that a multi-layer board utilizing a low-inductance ground plane, isolated inputs, isolated outputs and proper decoupling are critical to achieving the performance that the silicon is capable of providing. Particularly harsh environments may require shielding of critical signals.

If low noise is desired, breadboards and wire-wrapped boards are not recommended.



**FIGURE 7-1:** Typical Microcontroller Connections.

# MCP4011/2/3/4

## 8.0 APPLICATIONS EXAMPLES

Nonvolatile digital potentiometers have a multitude of practical uses in modern electronic circuits. The most popular uses include precision calibration of set point thresholds, sensor trimming, LCD bias trimming, audio attenuation, adjustable power supplies, motor control overcurrent trip setting, adjustable gain amplifiers and offset trimming. The MCP4011/2/3/4 devices can be used to replace the common mechanical trim pot in applications where the operating and terminal voltages are within CMOS process limitations ( $V_{DD} = 2.7V$  to  $5.5V$ ).

### 8.1 Set Point Threshold Trimming

Applications that need accurate detection of an input threshold event often need several sources of error eliminated. Use of comparators and operational amplifiers (op amps) with low offset and gain error can help achieve the desired accuracy, but in many applications, the input source variation is beyond the designer's control. If the entire system can be calibrated after assembly in a controlled environment (like factory test), these sources of error are minimized, if not entirely eliminated.

Figure 8-1 illustrates a common digital potentiometer configuration. This configuration is often referred to as a "windowed voltage divider". Note that  $R_1$  and  $R_2$  are not necessary to create the voltage divider, but their presence is useful when the desired threshold has limited range. It is "windowed" because  $R_1$  and  $R_2$  can narrow the adjustable range of  $V_{TRIP}$  to a value much less than  $V_{DD} - V_{SS}$ . If the output range is reduced, the magnitude of each output step is reduced. This effectively increases the trimming resolution for a fixed digital potentiometer resolution. This technique may allow a lower-cost digital potentiometer to be utilized (64 steps instead of 256 steps).

The MCP4011's and MCP4013's low DNL performance is critical to meeting calibration accuracy in production without having to use a higher precision digital potentiometer.

#### EQUATION 8-1: CALCULATING THE WIPER SETTING FROM THE DESIRED $V_{TRIP}$

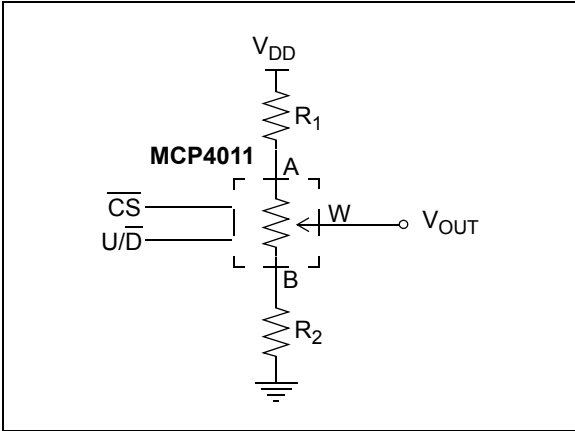
$$V_{TRIP} = V_{DD} \left( \frac{R_2 + R_{WB}}{R_1 + R_{AB} + R_2} \right)$$

$$R_{AB} = R_{Nominal}$$

$$R_{WB} = R_{AB} \cdot \left( \frac{D}{63} \right)$$

$$D = \left( \left( \frac{V_{TRIP}}{V_{DD}} \right) \cdot ((R_1 + R_{AB} + R_2) - R_2) \right) \cdot 63$$

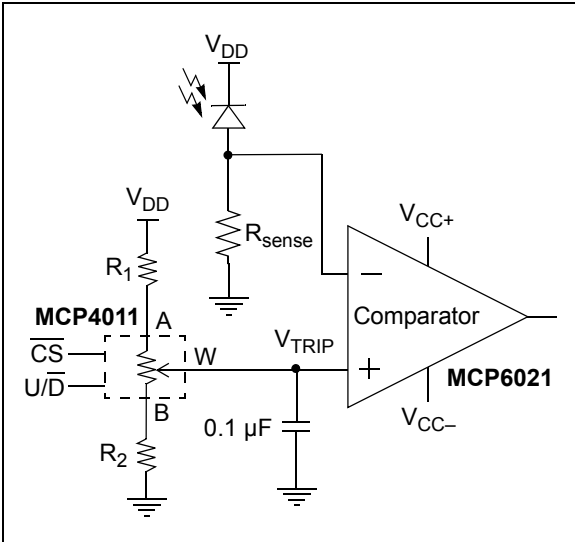
Where:  
D = Digital Potentiometer Wiper Setting (0-63)



**FIGURE 8-1:** Using the Digital Potentiometer to Set a Precise Output Voltage.

#### 8.1.1 TRIMMING A THRESHOLD FOR AN OPTICAL SENSOR

If the application has to calibrate the threshold of a diode, transistor or resistor, a variation range of 0.1V is common. Often, the desired resolution of 2 mV or better is adequate to accurately detect the presence of a precise signal. A "windowed" voltage divider, utilizing the MCP4011 or MCP4013, would be a potential solution as shown in Figure 8-2.

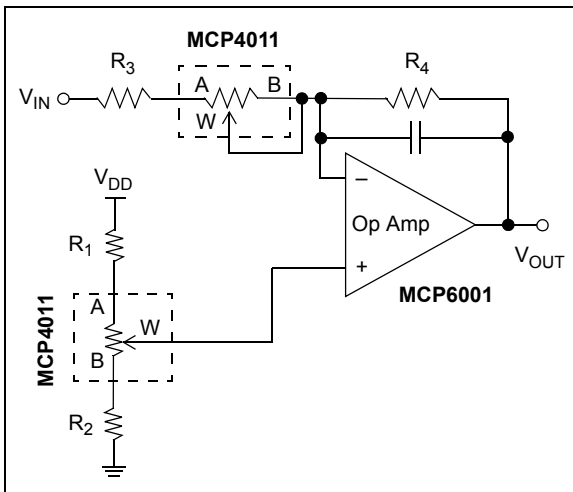


**FIGURE 8-2:** Set Point or Threshold Calibration.

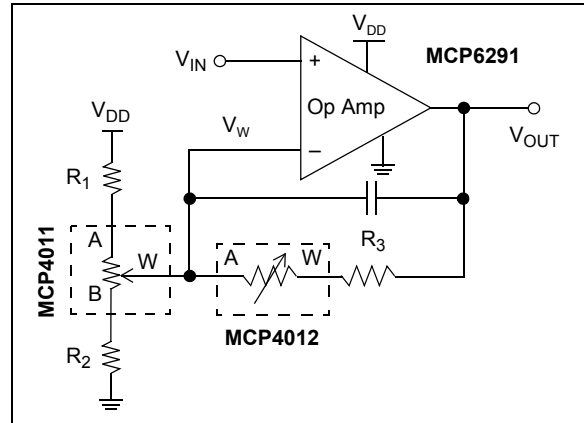
## 8.2 Operational Amplifier Applications

Figure 8-3, Figure 8-4 and Figure 8-5 illustrate typical amplifier circuits that could replace fixed resistors with the MCP4011/2/3/4 to achieve digitally-adjustable analog solutions.

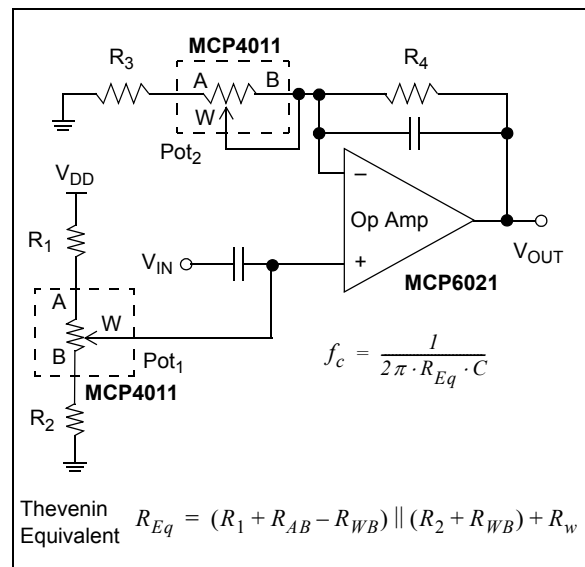
Figure 8-4 shows a circuit that allows a noninverting amplifier to have its offset and gain to be independently trimmed. The MCP4011 is used along with resistors R<sub>1</sub> and R<sub>2</sub> to set the offset voltage. The sum of R<sub>1</sub> + R<sub>2</sub> resistance should be significantly greater (> 100 times) the resistance value of the MCP4011. This allows each increment or decrement in the MCP4011 to be a fine adjustment of the offset voltage. The input voltage of the op amp (V<sub>IN</sub>) should be centered at the op amp's V<sub>W</sub> voltage. The gain is adjusted by the MCP4012. If the resistance value of the MCP4012 is small compared to the resistance value of R<sub>3</sub>, then this is a fine adjustment of the gain. If the resistance value of the MCP4012 is equal (or large) compared to the resistance value of R<sub>3</sub>, then this is a course adjustment of the gain. In general, trim the course adjustments first and then trim the fine adjustments.



**FIGURE 8-3:** Trimming Offset and Gain in an Inverting Amplifier.



**FIGURE 8-4:** Trimming Offset and Gain in a Noninverting Amplifier.

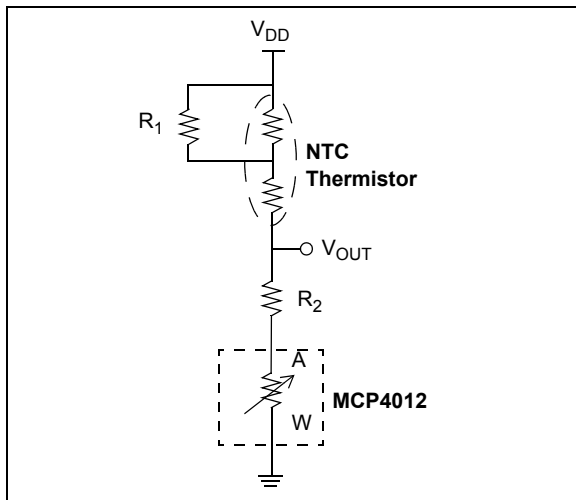


**FIGURE 8-5:** Programmable Filter.

## 8.3 Temperature Sensor Applications

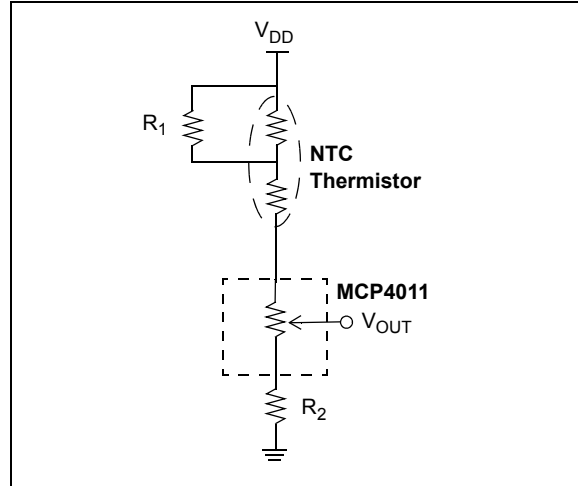
Thermistors are resistors with very predictable variation with temperature. Thermistors are a popular sensor choice when a low-cost, temperature-sensing solution is desired. Unfortunately, thermistors have nonlinear characteristics that are undesirable, typically requiring trimming in an application to achieve greater accuracy. There are several common solutions to trim and linearize thermistors. Figure 8-6 and Figure 8-7 are simple methods for linearizing a 3-terminal NTC thermistor. Both are simple voltage dividers using a Positive Temperature Coefficient (PTC) resistor ( $R_1$ ) with a transfer function capable of compensating for the linearity error in the Negative Temperature Coefficient (NTC) thermistor.

The circuit, illustrated by Figure 8-6, utilizes a digital rheostat for trimming the offset error caused by the thermistor's part-to-part variation. This solution puts the digital potentiometer's  $R_W$  into the voltage divider calculation. The MCP4011/2/3/4's  $R_{AB}$  temperature coefficient is 50 ppm ( $-20^{\circ}\text{C}$  to  $+70^{\circ}\text{C}$ ).  $R_W$ 's error is substantially greater than  $R_{AB}$ 's error because  $R_W$  varies with  $V_{DD}$ , wiper setting and temperature. For the 50 k $\Omega$  devices, the error introduced by  $R_W$  is, in most cases, insignificant as long as the wiper setting is  $> 6$ . For the 2 k $\Omega$  devices, the error introduced by  $R_W$  is significant because it is a higher percentage of  $R_{WB}$ . For these reasons, the circuit illustrated in Figure 8-6 is not the most optimum method for "exciting" and linearizing a thermistor.



**FIGURE 8-6:** Thermistor Calibration using a Digital Potentiometer in a Rheostat Configuration.

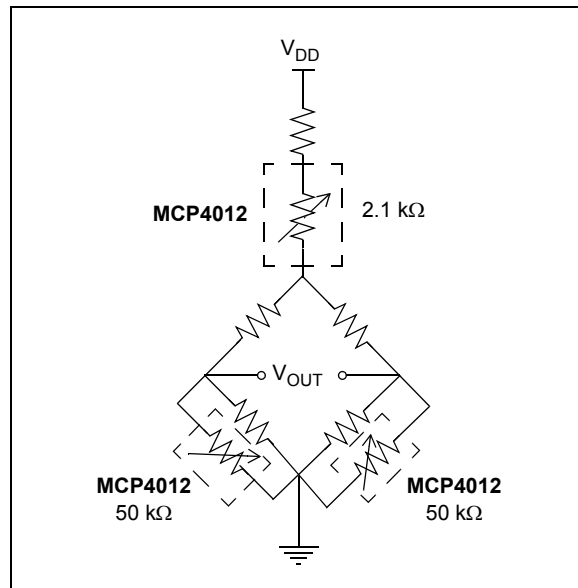
The circuit illustrated by Figure 8-7 utilizes a digital potentiometer for trimming the offset error. This solution removes  $R_W$  from the trimming equation along with the error associated with  $R_W$ .  $R_2$  is not required, but can be utilized to reduce the trimming "window" and reduce variation due to the digital potentiometer's  $R_{AB}$  part-to-part variability.



**FIGURE 8-7:** Thermistor Calibration using a Digital Potentiometer in a Potentiometer Configuration.

## 8.4 Wheatstone Bridge Trimming

Another common configuration to "excite" a sensor (such as a strain gauge, pressure sensor or thermistor) is the Wheatstone bridge configuration. The Wheatstone bridge provides a differential output instead of a single-ended output. Figure 8-8 illustrates a Wheatstone bridge utilizing one to three digital potentiometers. The digital potentiometers in this example are used to trim the offset and gain of the Wheatstone bridge.



**FIGURE 8-8:** Wheatstone Bridge Trimming.

## 9.0 DEVELOPMENT SUPPORT

### 9.1 Evaluation/Demonstration Boards

Currently there are three boards that are available that can be used to evaluate the MCP401X family of devices.

1. The MCP402X Digital Potentiometer Evaluation Board kit (MCP402XEV) contains a simple demonstration board utilizing a PIC10F206, the MCP401X and a blank PCB, which can be populated with any desired MCP4011/2/3/4 device in a SOT-23-5, SOT-23-6 or 150 mil SOIC 8-pin package.

This board has two push buttons to control when the PIC<sup>®</sup> microcontroller generates MCP402X serial commands. The example firmware demonstrates the following commands:

- Increment
- Decrement
- High-Voltage Increment and Enable WiperLock Technology
- High-Voltage Decrement and Enable WiperLock Technology
- High-Voltage Increment and Disable WiperLock Technology
- High-Voltage Decrement and Disable WiperLock Technology

The populated board (with the MCP4011) can be used to evaluate the other MCP401X devices by appropriately jumpering the PCB pads.

2. The SOT-23-5/6 Evaluation Board (VSUPEV2) can be used to evaluate the characteristics of the MCP4012, MCP4013 and MCP4014 devices.
3. The 8-pin SOIC/MSOP/TSSOP/DIP Evaluation Board (SOIC8EV) can be used to evaluate the characteristics of the MCP4011 device in either the SOIC or MSOP package.
4. The MCP4XXX Digital Potentiometer Daughter Board allows the system designer to quickly evaluate the operation of Microchip Technology's MCP42XXX and MCP402X Digital Potentiometers. The board supports two MCP42XXX devices and an MCP402X device, which can be replaced with an MCP401X device.

The board also has a voltage doubler device (TC1240A), which can be used to show the WiperLock Technology feature of the MCP4021.

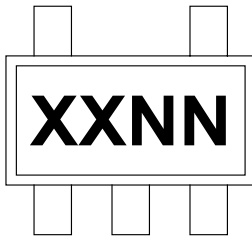
These boards may be purchased directly from the Microchip web site at [www.microchip.com](http://www.microchip.com).

# MCP4011/2/3/4

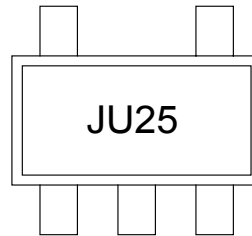
## 10.0 PACKAGING INFORMATION

### 10.1 Package Marking Information

5-Lead SOT-23 (MCP4014)



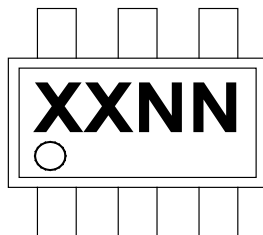
Example:



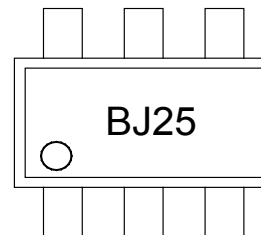
Part Number	Code
MCP4014T-202E/OT	JUNN
MCP4014T-502E/OT	JVNN
MCP4014T-103E/OT	JWNN
MCP4014T-503E/OT	JXNN

**Note:** Applies to 5-Lead SOT-23

6-Lead SOT-23 (MCP4012 / MCP4013)



Example:



Part Number	Code	
	MCP4012	MCP4013
MCP401xT-202E/CH	BJNN	BPNN
MCP401xT-502E/CH	BKNN	BQNN
MCP401xT-103E/CH	BLNN	BRNN
MCP401xT-503E/CH	BMNN	BSNN

**Note:** Applies to 6-Lead SOT-23

<b>Legend:</b>	XX...X	Customer-specific information
	Y	Year code (last digit of calendar year)
	YY	Year code (last 2 digits of calendar year)
	WW	Week code (week of January 1 is week '01')
	NNN	Alphanumeric traceability code
	(e3)	Pb-free JEDEC designator for Matte Tin (Sn)
	*	This package is Pb-free. The Pb-free JEDEC designator (e3) can be found on the outer packaging for this package.

**Note:** In the event the full Microchip part number cannot be marked on one line, it will be carried over to the next line, thus limiting the number of available characters for customer-specific information.

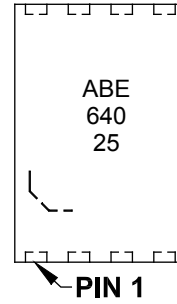


## Package Marking Information

8-Lead DFN (2x3) (MCP4011)



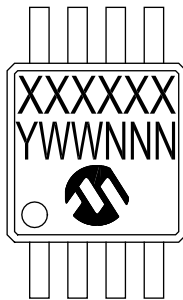
Example:



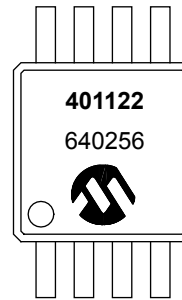
Part Number	Code
MCP4011T-202E/MC	ABE
MCP4011T-502E/MC	ABF
MCP4011T-103E/MC	ABG
MCP4011T-503E/MC	ABH

**Note:** Applies to 8-Lead DFN

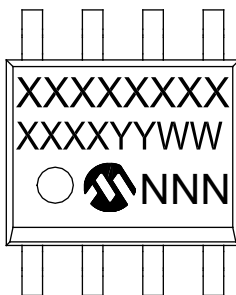
8-Lead MSOP (MCP4011)



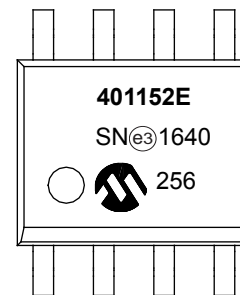
Example:



8-Lead SOIC (150 mil) (MCP4011)



Example:

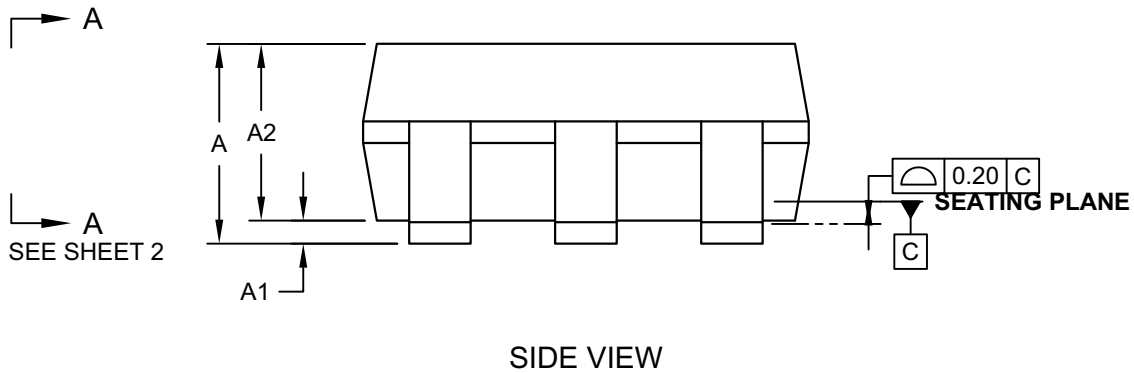
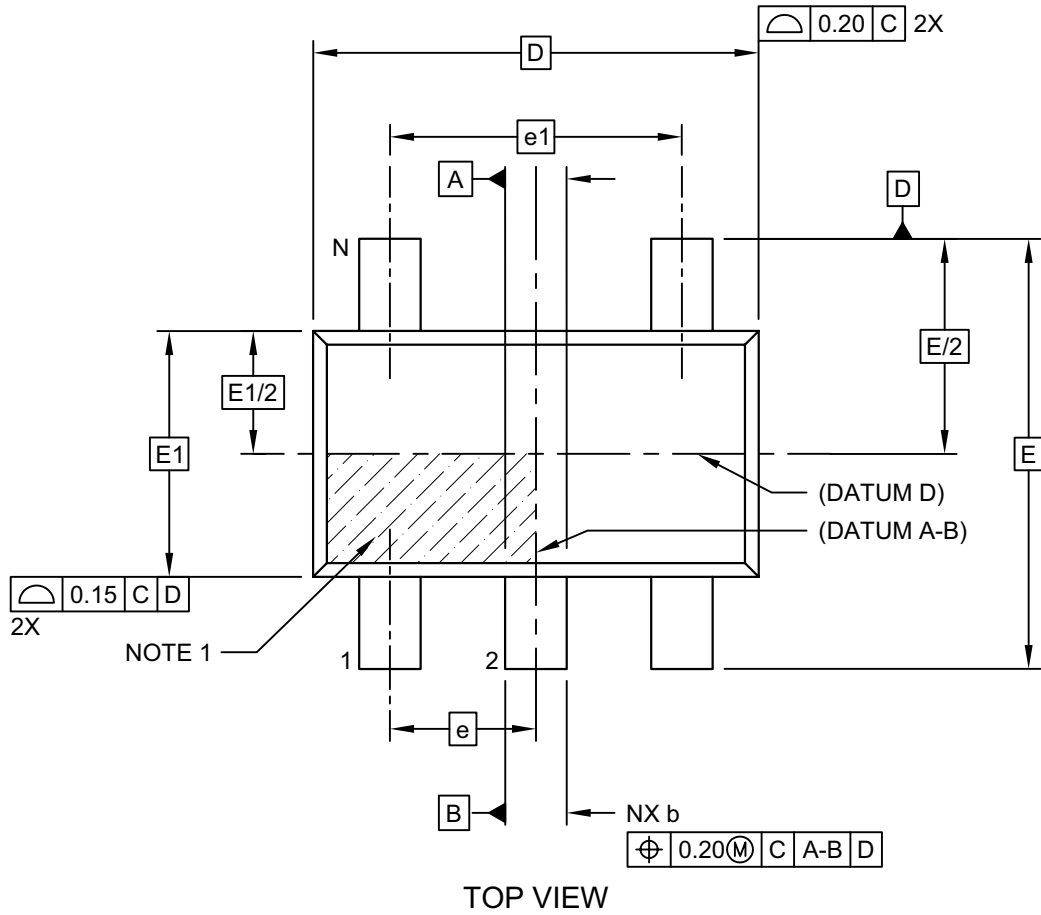


Part Numbers		Code
8L-MSOP	8L-SOIC	
MCP4011-202E/MS	MCP4011-202E/SN	22
MCP4011-502E/MS	MCP4011-502E/SN	52
MCP4011-103E/MS	MCP4011-103E/SN	13
MCP4011-503E/MS	MCP4011-503E/SN	53

# MCP4011/2/3/4

## 5-Lead Plastic Small Outline Transistor (OT) [SOT23]

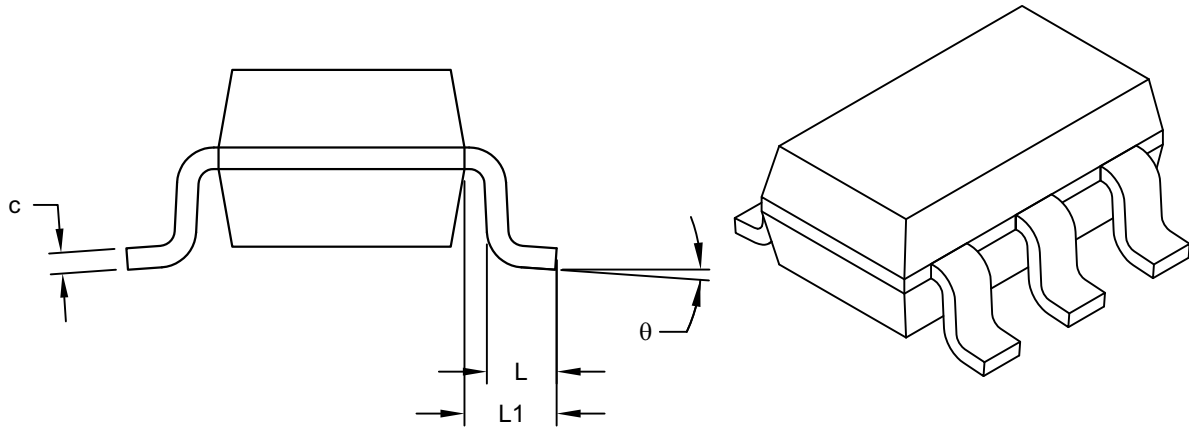
**Note:** For the most current package drawings, please see the Microchip Packaging Specification located at <http://www.microchip.com/packaging>



Microchip Technology Drawing C04-028D [OT] Sheet 1 of 2

## 5-Lead Plastic Small Outline Transistor (OT) [SOT23]

**Note:** For the most current package drawings, please see the Microchip Packaging Specification located at <http://www.microchip.com/packaging>



VIEW A-A  
SHEET 1

Dimension Limits	Units	MILLIMETERS		
		MIN	NOM	MAX
Number of Pins	N	6		
Pitch	e	0.95 BSC		
Outside lead pitch	e1	1.90 BSC		
Overall Height	A	0.90	-	1.45
Molded Package Thickness	A2	0.89	-	1.30
Standoff	A1	-	-	0.15
Overall Width	E	2.80 BSC		
Molded Package Width	E1	1.60 BSC		
Overall Length	D	2.90 BSC		
Foot Length	L	0.30	-	0.60
Footprint	L1	0.60 REF		
Foot Angle	φ	0°	-	10°
Lead Thickness	c	0.08	-	0.26
Lead Width	b	0.20	-	0.51

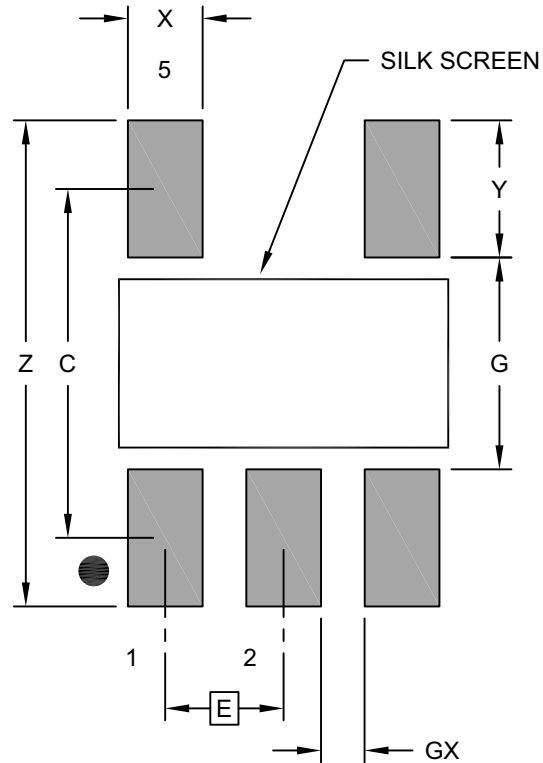
**Notes:**

- Dimensions D and E1 do not include mold flash or protrusions. Mold flash or protrusions shall not exceed 0.25mm per side.
- Dimensioning and tolerancing per ASME Y14.5M  
 BSC: Basic Dimension. Theoretically exact value shown without tolerances.  
 REF: Reference Dimension, usually without tolerance, for information purposes only.

# MCP4011/2/3/4

## 5-Lead Plastic Small Outline Transistor (OT) [SOT23]

**Note:** For the most current package drawings, please see the Microchip Packaging Specification located at <http://www.microchip.com/packaging>



RECOMMENDED LAND PATTERN

Dimension Limits	Units	MILLIMETERS		
		MIN	NOM	MAX
Contact Pitch	E	0.95 BSC		
Contact Pad Spacing	C		2.80	
Contact Pad Width (X5)	X			0.60
Contact Pad Length (X5)	Y			1.10
Distance Between Pads	G	1.70		
Distance Between Pads	GX	0.35		
Overall Width	Z			3.90

**Notes:**

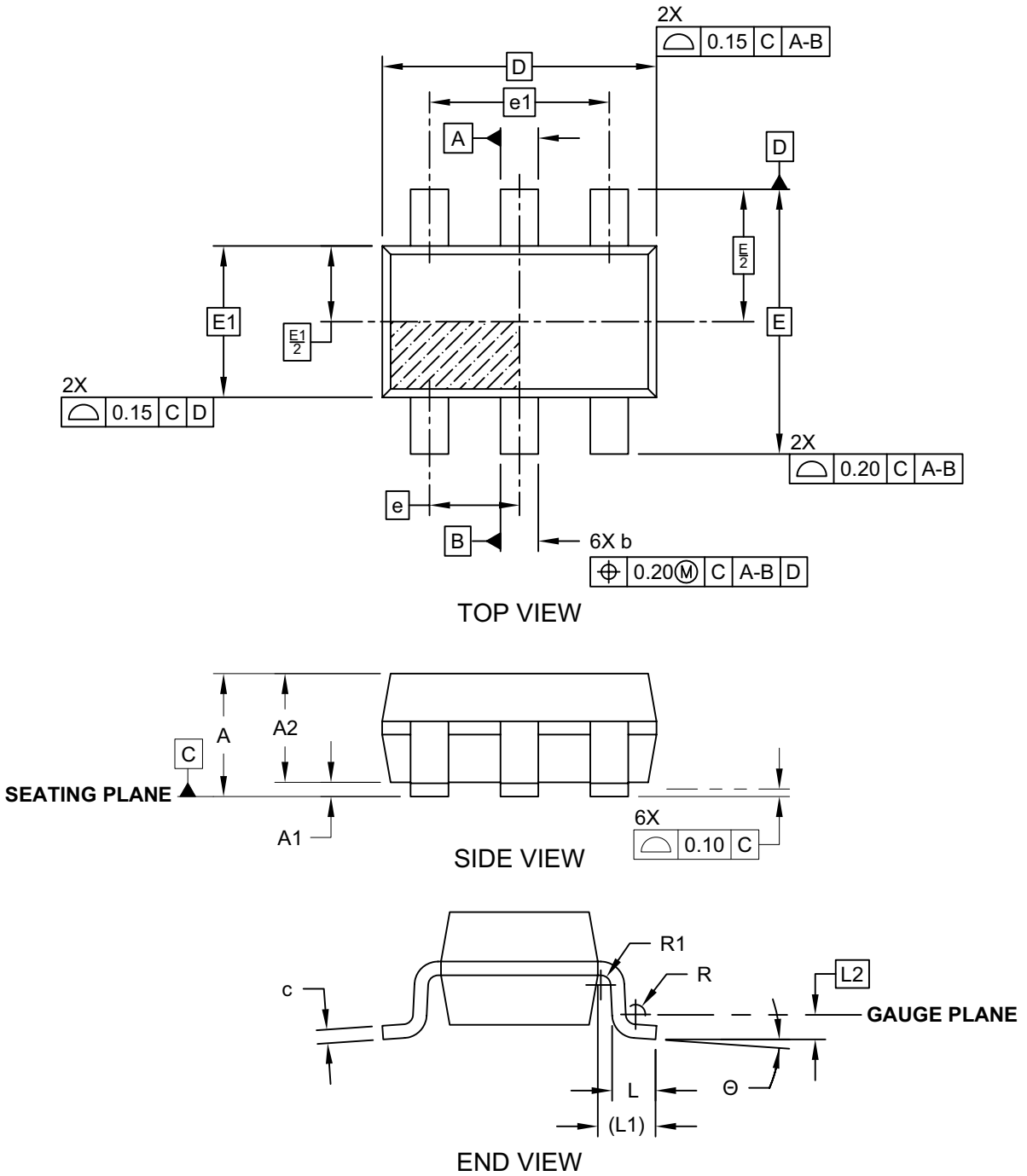
1. Dimensioning and tolerancing per ASME Y14.5M

BSC: Basic Dimension. Theoretically exact value shown without tolerances.

Microchip Technology Drawing No. C04-2091A [OT]

## 6-Lead Plastic Small Outline Transistor (CH, CHY) [SOT-23]

**Note:** For the most current package drawings, please see the Microchip Packaging Specification located at <http://www.microchip.com/packaging>

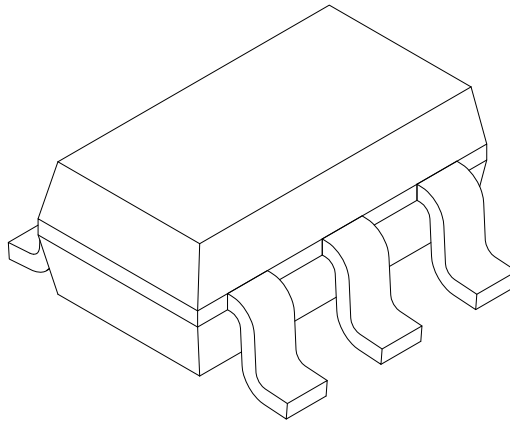


Microchip Technology Drawing C04-028C (CH) Sheet 1 of 2

# MCP4011/2/3/4

## 6-Lead Plastic Small Outline Transistor (CH, CHY) [SOT-23]

**Note:** For the most current package drawings, please see the Microchip Packaging Specification located at <http://www.microchip.com/packageing>



Dimension Limits	Units	MILLIMETERS		
		MIN	NOM	MAX
Number of Leads	N	6		
Pitch	e	0.95 BSC		
Outside lead pitch	e1	1.90 BSC		
Overall Height	A	0.90	-	1.45
Molded Package Thickness	A2	0.89	1.15	1.30
Standoff	A1	0.00	-	0.15
Overall Width	E	2.80 BSC		
Molded Package Width	E1	1.60 BSC		
Overall Length	D	2.90 BSC		
Foot Length	L	0.30	0.45	0.60
Footprint	L1	0.60 REF		
Seating Plane to Gauge Plane	L1	0.25 BSC		
Foot Angle	$\phi$	0°	-	10°
Lead Thickness	c	0.08	-	0.26
Lead Width	b	0.20	-	0.51

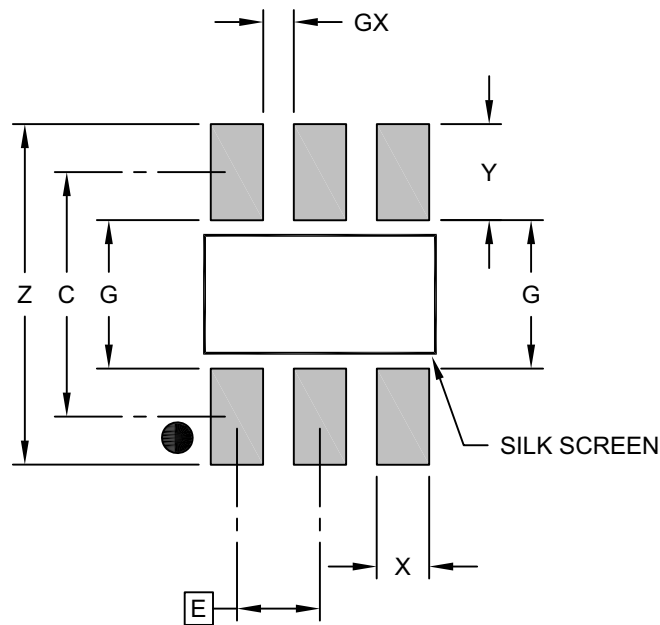
**Notes:**

1. Dimensions D and E1 do not include mold flash or protrusions. Mold flash or protrusions shall not exceed 0.25mm per side.
2. Dimensioning and tolerancing per ASME Y14.5M  
BSC: Basic Dimension. Theoretically exact value shown without tolerances.  
REF: Reference Dimension, usually without tolerance, for information purposes only.

Microchip Technology Drawing C04-028C (CH) Sheet 2 of 2

## 6-Lead Plastic Small Outline Transistor (CH, CHY) [SOT-23]

**Note:** For the most current package drawings, please see the Microchip Packaging Specification located at <http://www.microchip.com/packaging>



RECOMMENDED LAND PATTERN

Dimension Limits	Units	MILLIMETERS		
		MIN	NOM	MAX
Contact Pitch	E	0.95 BSC		
Contact Pad Spacing	C		2.80	
Contact Pad Width (X3)	X			0.60
Contact Pad Length (X3)	Y			1.10
Distance Between Pads	G	1.70		
Distance Between Pads	GX	0.35		
Overall Width	Z			3.90

**Notes:**

1. Dimensioning and tolerancing per ASME Y14.5M

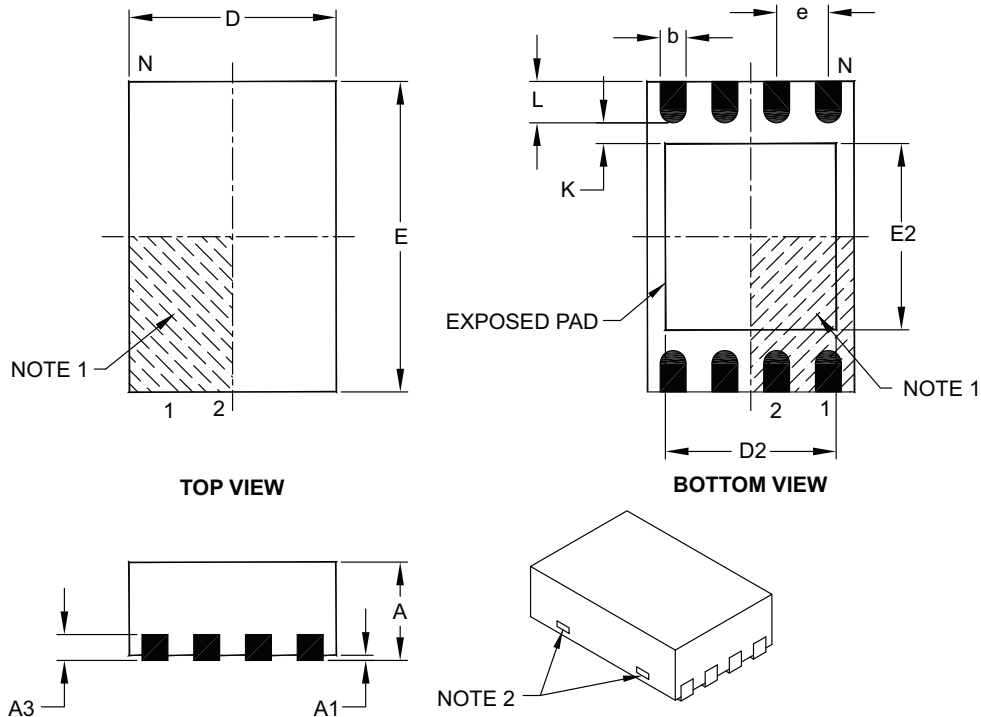
BSC: Basic Dimension. Theoretically exact value shown without tolerances.

Microchip Technology Drawing No. C04-2028B (CH)

# MCP4011/2/3/4

## 8-Lead Plastic Dual Flat, No Lead Package (MC) – 2x3x0.9 mm Body [DFN]

**Note:** For the most current package drawings, please see the Microchip Packaging Specification located at <http://www.microchip.com/packaging>



Dimension Limits	Units	MILLIMETERS		
		MIN	NOM	MAX
Number of Pins	N	8		
Pitch	e	0.50 BSC		
Overall Height	A	0.80	0.90	1.00
Standoff	A1	0.00	0.02	0.05
Contact Thickness	A3	0.20 REF		
Overall Length	D	2.00 BSC		
Overall Width	E	3.00 BSC		
Exposed Pad Length	D2	1.30	–	1.55
Exposed Pad Width	E2	1.50	–	1.75
Contact Width	b	0.20	0.25	0.30
Contact Length	L	0.30	0.40	0.50
Contact-to-Exposed Pad	K	0.20	–	–

**Notes:**

- Pin 1 visual index feature may vary, but must be located within the hatched area.
- Package may have one or more exposed tie bars at ends.
- Package is saw singulated.
- Dimensioning and tolerancing per ASME Y14.5M.

BSC: Basic Dimension. Theoretically exact value shown without tolerances.

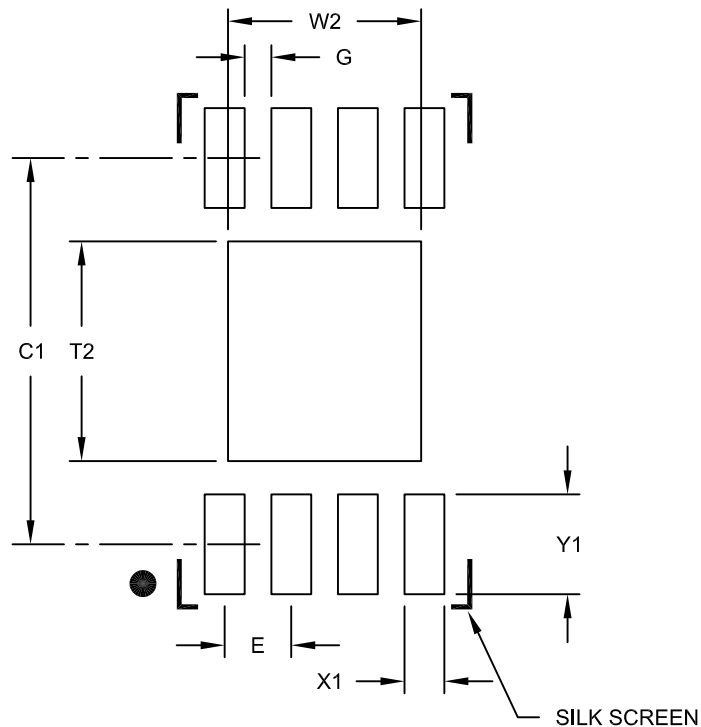
REF: Reference Dimension, usually without tolerance, for information purposes only.

Microchip Technology Drawing C04-123C



## 8-Lead Plastic Dual Flat, No Lead Package (MC) - 2x3x0.9mm Body [DFN]

**Note:** For the most current package drawings, please see the Microchip Packaging Specification located at <http://www.microchip.com/packaging>



RECOMMENDED LAND PATTERN

Dimension Limits	Units	MILLIMETERS		
		MIN	NOM	MAX
Contact Pitch	E	0.50 BSC		
Optional Center Pad Width	W2			1.45
Optional Center Pad Length	T2			1.75
Contact Pad Spacing	C1		2.90	
Contact Pad Width (X8)	X1			0.30
Contact Pad Length (X8)	Y1			0.75
Distance Between Pads	G	0.20		

**Notes:**

1. Dimensioning and tolerancing per ASME Y14.5M

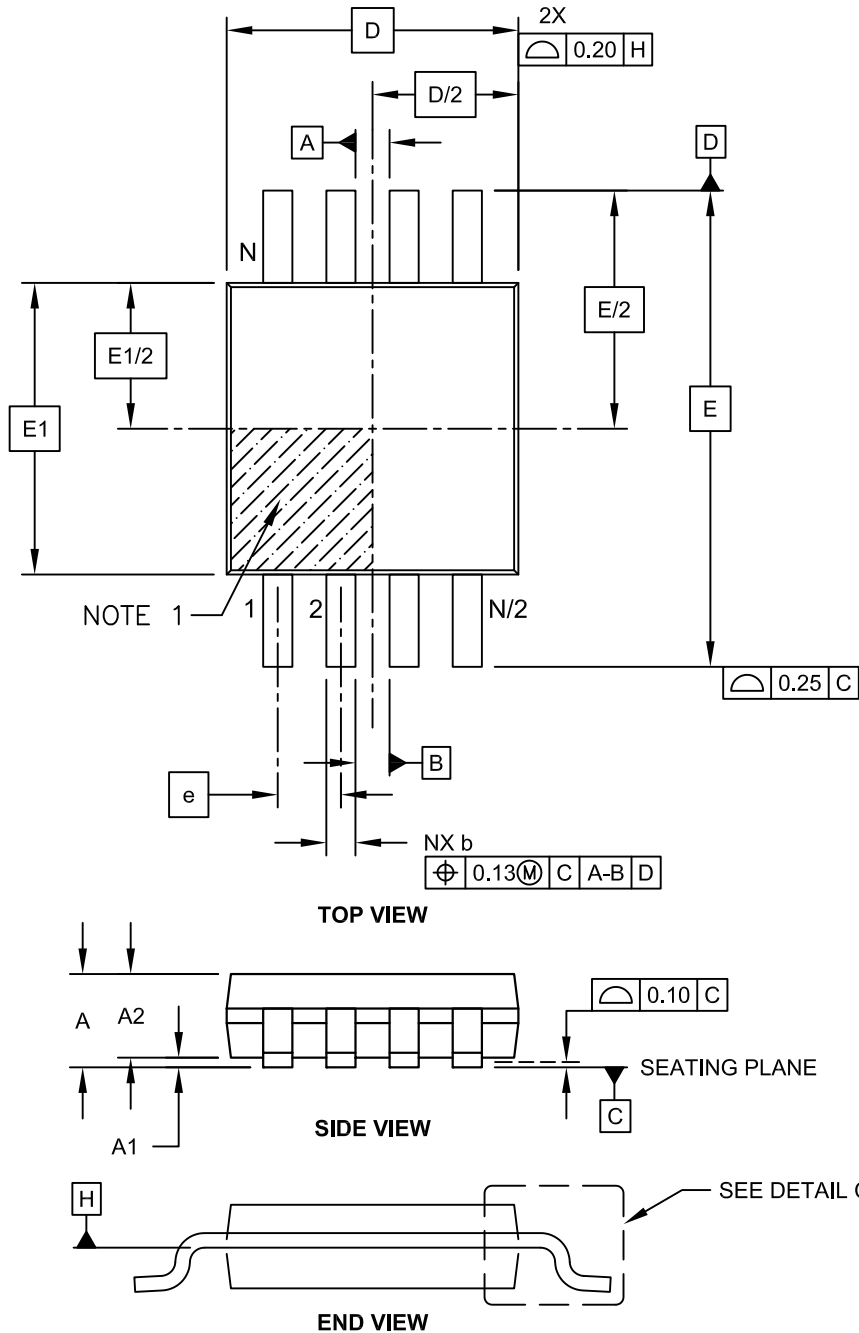
BSC: Basic Dimension. Theoretically exact value shown without tolerances.

Microchip Technology Drawing No. C04-2123B

# MCP4011/2/3/4

## 8-Lead Plastic Micro Small Outline Package (MS) [MSOP]

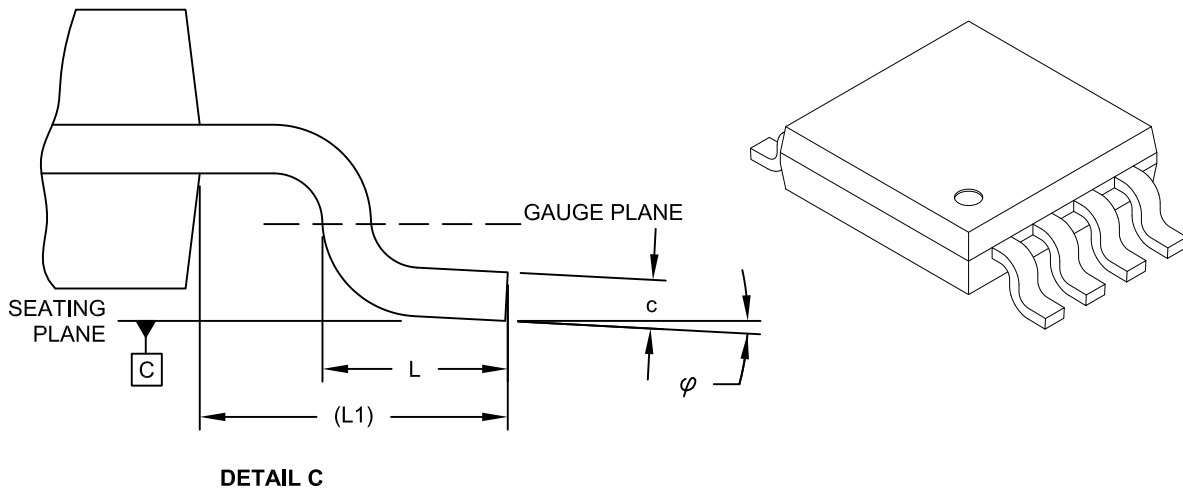
**Note:** For the most current package drawings, please see the Microchip Packaging Specification located at <http://www.microchip.com/packaging>



Microchip Technology Drawing C04-111C Sheet 1 of 2

## 8-Lead Plastic Micro Small Outline Package (MS) [MSOP]

**Note:** For the most current package drawings, please see the Microchip Packaging Specification located at <http://www.microchip.com/packaging>



Dimension Limits	Units	MILLIMETERS		
		MIN	NOM	MAX
Number of Pins	N		8	
Pitch	e	0.65 BSC		
Overall Height	A	-	-	1.10
Molded Package Thickness	A2	0.75	0.85	0.95
Standoff	A1	0.00	-	0.15
Overall Width	E	4.90 BSC		
Molded Package Width	E1	3.00 BSC		
Overall Length	D	3.00 BSC		
Foot Length	L	0.40	0.60	0.80
Footprint	L1	0.95 REF		
Foot Angle	$\phi$	0°	-	8°
Lead Thickness	c	0.08	-	0.23
Lead Width	b	0.22	-	0.40

**Notes:**

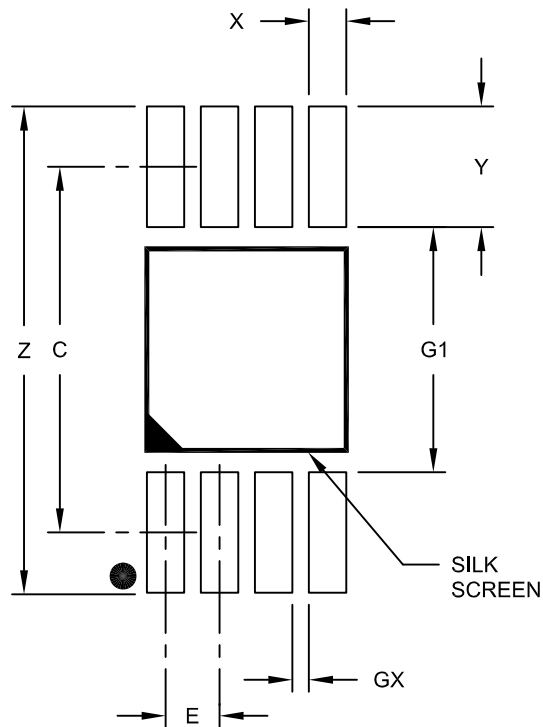
- Pin 1 visual index feature may vary, but must be located within the hatched area.
- Dimensions D and E1 do not include mold flash or protrusions. Mold flash or protrusions shall not exceed 0.15mm per side.
- Dimensioning and tolerancing per ASME Y14.5M.  
 BSC: Basic Dimension. Theoretically exact value shown without tolerances.  
 REF: Reference Dimension, usually without tolerance, for information purposes only.

Microchip Technology Drawing C04-111C Sheet 2 of 2

# MCP4011/2/3/4

## 8-Lead Plastic Micro Small Outline Package (MS) [MSOP]

**Note:** For the most current package drawings, please see the Microchip Packaging Specification located at <http://www.microchip.com/packaging>



RECOMMENDED LAND PATTERN

Dimension Limits	Units	MILLIMETERS		
		MIN	NOM	MAX
Contact Pitch	E	0.65 BSC		
Contact Pad Spacing	C		4.40	
Overall Width	Z			5.85
Contact Pad Width (X8)	X1			0.45
Contact Pad Length (X8)	Y1			1.45
Distance Between Pads	G1	2.95		
Distance Between Pads	GX	0.20		

**Notes:**

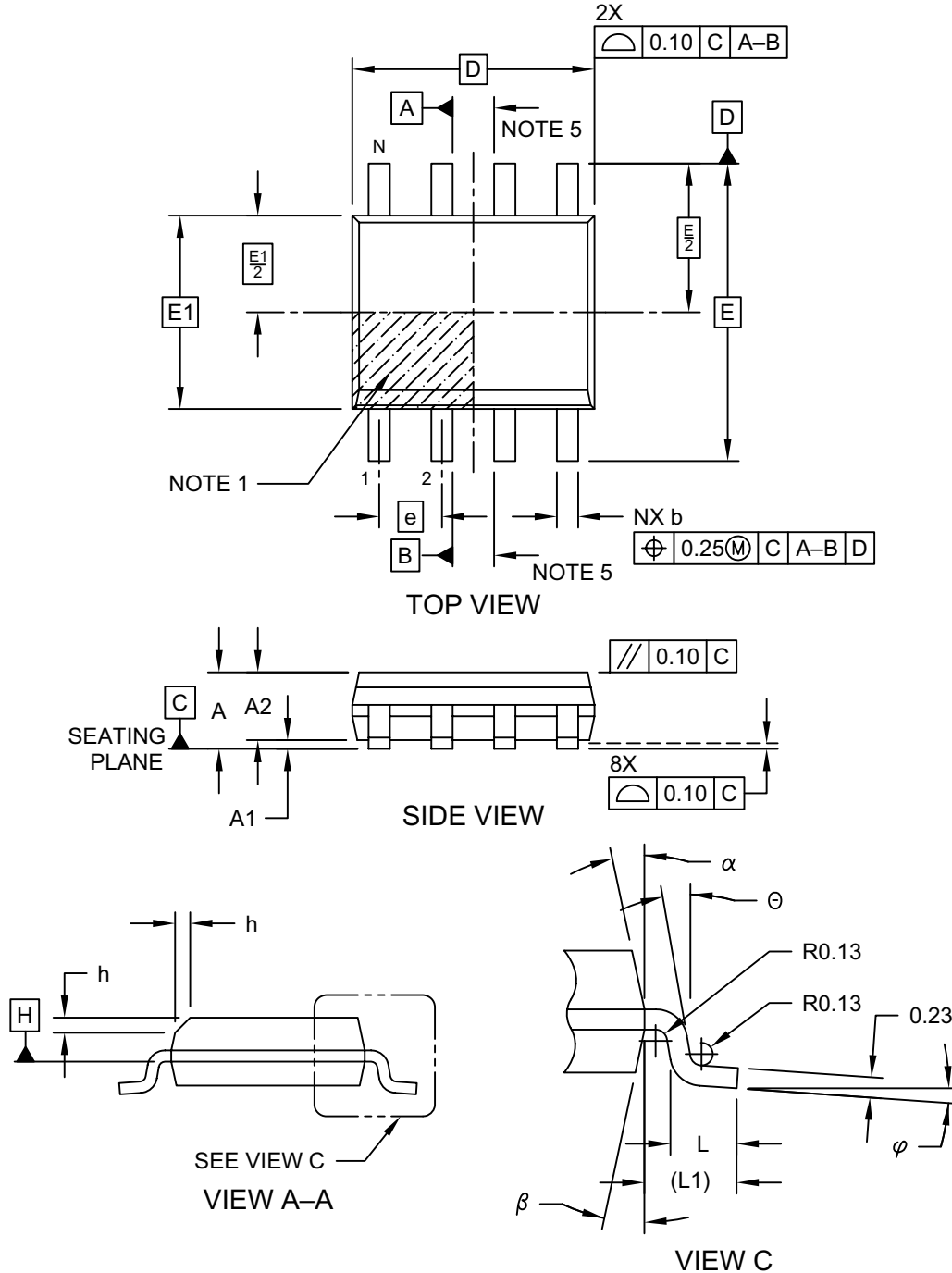
1. Dimensioning and tolerancing per ASME Y14.5M

BSC: Basic Dimension. Theoretically exact value shown without tolerances.

Microchip Technology Drawing No. C04-2111A

## 8-Lead Plastic Small Outline (SN) - Narrow, 3.90 mm (.150 In.) Body [SOIC]

**Note:** For the most current package drawings, please see the Microchip Packaging Specification located at <http://www.microchip.com/packaging>

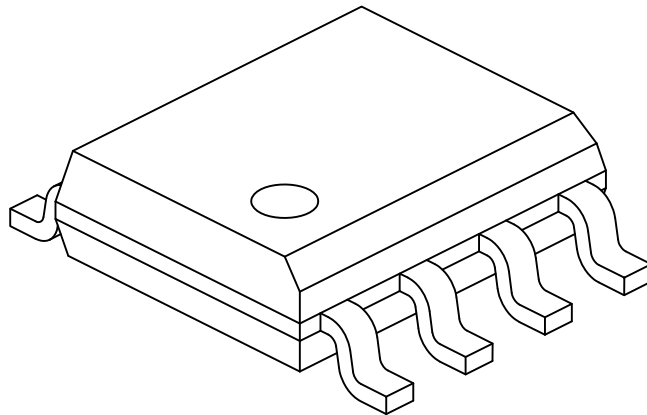


Microchip Technology Drawing No. C04-057-SN Rev D Sheet 1 of 2

# MCP4011/2/3/4

## 8-Lead Plastic Small Outline (SN) - Narrow, 3.90 mm (.150 In.) Body [SOIC]

**Note:** For the most current package drawings, please see the Microchip Packaging Specification located at <http://www.microchip.com/packaging>



Dimension Limits	Units	MILLIMETERS		
		MIN	NOM	MAX
Number of Pins	N	8		
Pitch	e	1.27 BSC		
Overall Height	A	-	-	1.75
Molded Package Thickness	A2	1.25	-	-
Standoff §	A1	0.10	-	0.25
Overall Width	E	6.00 BSC		
Molded Package Width	E1	3.90 BSC		
Overall Length	D	4.90 BSC		
Chamfer (Optional)	h	0.25	-	0.50
Foot Length	L	0.40	-	1.27
Footprint	L1	1.04 REF		
Foot Angle	$\varphi$	0°	-	8°
Lead Thickness	c	0.17	-	0.25
Lead Width	b	0.31	-	0.51
Mold Draft Angle Top	$\alpha$	5°	-	15°
Mold Draft Angle Bottom	$\beta$	5°	-	15°

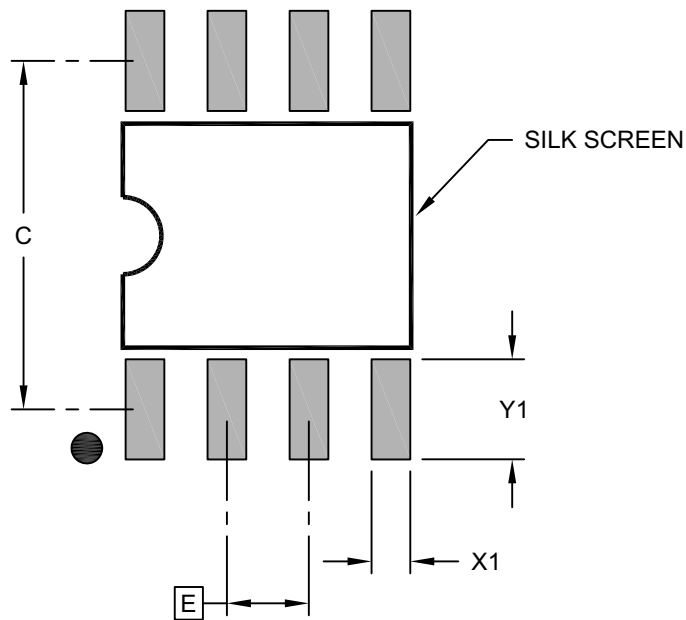
**Notes:**

1. Pin 1 visual index feature may vary, but must be located within the hatched area.
2. § Significant Characteristic
3. Dimensions D and E1 do not include mold flash or protrusions. Mold flash or protrusions shall not exceed 0.15mm per side.
4. Dimensioning and tolerancing per ASME Y14.5M  
BSC: Basic Dimension. Theoretically exact value shown without tolerances.  
REF: Reference Dimension, usually without tolerance, for information purposes only.
5. Datums A & B to be determined at Datum H.

Microchip Technology Drawing No. C04-057-SN Rev D Sheet 2 of 2

## 8-Lead Plastic Small Outline (SN) - Narrow, 3.90 mm Body [SOIC]

**Note:** For the most current package drawings, please see the Microchip Packaging Specification located at <http://www.microchip.com/packaging>



RECOMMENDED LAND PATTERN

Dimension Limits	Units	MILLIMETERS		
		MIN	NOM	MAX
Contact Pitch	E	1.27 BSC		
Contact Pad Spacing	C		5.40	
Contact Pad Width (X8)	X1			0.60
Contact Pad Length (X8)	Y1			1.55

**Notes:**

1. Dimensioning and tolerancing per ASME Y14.5M

BSC: Basic Dimension. Theoretically exact value shown without tolerances.

Microchip Technology Drawing C04-2057-SN Rev B

# MCP4011/2/3/4

---

NOTES:



## APPENDIX A: REVISION HISTORY

### Revision D (December 2017)

The following is the list of modifications:

1. Updated the High-Voltage Input Entry Voltage entry in the **“AC/DC Characteristics”** table.
2. Updated **Table 6-1 “Typical Step Resistances”**.

### Revision C (December 2006)

The following is the list of modifications:

1. Added device designators in conditions column to associate units (MHz) in Bandwidth -3 dB parameter in **“AC/DC Characteristics”** table.
2. Added device designations in conditions column for R-INL and R-DNL specifications.

### Revision B (October 2006)

The following is the list of modifications:

1. For the 10 k $\Omega$  device, the rheostat differential nonlinearity specification at 2.7V was changed from  $\pm 0.5$  LSb to  $\pm 1$  LSb.
2. **Figure 2-9** in **Section 2.0 “Typical Performance Curves”** was updated with the correct data.
3. Added **Figure 2-55** for -3 db Bandwidth information.
4. Added **Figure 2-56** for -3 db Bandwidth test circuit.
5. Updated available Development Tools.
6. Added disclaimer to package outline drawings and updated changed drawings as needed.

### Revision A (November 2005)

- Original release of this document.

# MCP4011/2/3/4

---

NOTES:

## PRODUCT IDENTIFICATION SYSTEM

To order or obtain information, e.g., on pricing or delivery, refer to the factory or the listed sales office.

<u>PART NO.</u>	<u>XXX</u>	<u>X</u>	<u>/XX</u>
Device	Resistance Version	Temperature Range	Package
Device:	MCP4011:	Single Potentiometer with U/D Interface	
	MCP4011T:	Single Potentiometer with U/D Interface (Tape and Reel) (SOIC, MSOP)	
	MCP4012:	Single Rheostat with U/D interface	
	MCP4012T:	Single Rheostat with U/D interface (Tape and Reel) (SOT-23-6)	
	MCP4013:	Single Potentiometer to GND with U/D Interface	
	MCP4013T:	Single Potentiometer to GND with U/D Interface (Tape and Reel) (SOT-23-6)	
	MCP4014:	Single Rheostat to GND with U/D Interface	
	MCP4014T:	Single Rheostat to GND with U/D Interface (Tape and Reel)(SOT-23-5)	
Resistance Version:	202 = 2.1 kΩ		
	502 = 5 kΩ		
	103 = 10 kΩ		
	503 = 50 kΩ		
Temperature Range:			
Package:	CH = Plastic Small Outline Transistor, 6-lead		
	MC = Plastic Dual Flat No Lead (2x3x0.9 mm), 8-lead		
	MS = Plastic MSOP, 8-lead		
	SN = Plastic SOIC, (150 mil Body), 8-lead		
	OT = Plastic Small Outline Transistor, 5-lead		

Examples:	
a)	MCP4011-103E/MS: 10 kΩ, 8-LD MSOP
b)	MCP4011-103E/SN: 10 kΩ, 8-LD SOIC
c)	MCP4011T-103E/MC: T/R, 10 kΩ, 8-LD DFN
d)	MCP4011T-103E/MS: T/R, 10 kΩ, 8-LD MSOP
e)	MCP4011T-103E/SN: T/R, 10 kΩ, 8-LD SOIC
f)	MCP4011-202E/MS: 2.1 kΩ, 8-LD MSOP
g)	MCP4011-202E/SN: 2.1 kΩ, 8-LD SOIC
h)	MCP4011T-202E/MC: T/R, 2.1 kΩ, 8-LD DFN
i)	MCP4011T-202E/MS: T/R, 2.1 kΩ, 8-LD MSOP
j)	MCP4011T-202E/SN: T/R, 2.1 kΩ, 8-LD SOIC
k)	MCP4011-502E/MS: 5 kΩ, 8-LD MSOP
l)	MCP4011-502E/SN: 5 kΩ, 8-LD SOIC
m)	MCP4011T-502E/MC: T/R, 5 kΩ, 8-LD DFN
n)	MCP4011T-502E/MS: T/R, 5 kΩ, 8-LD MSOP
o)	MCP4011T-502E/SN: T/R, 5 kΩ, 8-LD SOIC
p)	MCP4011-503E/MS: 50 kΩ, 8-LD MSOP
q)	MCP4011-503E/SN: 50 kΩ, 8-LD SOIC
r)	MCP4011T-503E/MC: T/R, 50 kΩ, 8-LD DFN
s)	MCP4011T-503E/MS: T/R, 50 kΩ, 8-LD MSOP
t)	MCP4011T-503E/SN: T/R, 50 kΩ, 8-LD SOIC
a)	MCP4012T-202E/CH 2.1 kΩ, 6-LD SOT-23
b)	MCP4012T-502E/CH 5 kΩ, 6-LD SOT-23
c)	MCP4012T-103E/CH 10 kΩ, 6-LD SOT-23
d)	MCP4012T-503E/CH 50 kΩ, 6-LD SOT-23
a)	MCP4013T-202E/CH 2.1 kΩ, 6-LD SOT-23
b)	MCP4013T-502E/CH 5 kΩ, 6-LD SOT-23
c)	MCP4013T-103E/CH 10 kΩ, 6-LD SOT-23
d)	MCP4013T-503E/CH 50 kΩ, 6-LD SOT-23
a)	MCP4014T-202E/OT 2.1 kΩ, 5-LD SOT-23
b)	MCP4014T-502E/OT 5 kΩ, 5-LD SOT-23
c)	MCP4014T-103E/OT 10 kΩ, 5-LD SOT-23
d)	MCP4014T-503E/OT 50 kΩ, 5-LD SOT-23

# MCP4011/2/3/4

---

NOTES:

---

**Note the following details of the code protection feature on Microchip devices:**

- Microchip products meet the specification contained in their particular Microchip Data Sheet.
- Microchip believes that its family of products is one of the most secure families of its kind on the market today, when used in the intended manner and under normal conditions.
- There are dishonest and possibly illegal methods used to breach the code protection feature. All of these methods, to our knowledge, require using the Microchip products in a manner outside the operating specifications contained in Microchip's Data Sheets. Most likely, the person doing so is engaged in theft of intellectual property.
- Microchip is willing to work with the customer who is concerned about the integrity of their code.
- Neither Microchip nor any other semiconductor manufacturer can guarantee the security of their code. Code protection does not mean that we are guaranteeing the product as “unbreakable.”

Code protection is constantly evolving. We at Microchip are committed to continuously improving the code protection features of our products. Attempts to break Microchip's code protection feature may be a violation of the Digital Millennium Copyright Act. If such acts allow unauthorized access to your software or other copyrighted work, you may have a right to sue for relief under that Act.

---

Information contained in this publication regarding device applications and the like is provided only for your convenience and may be superseded by updates. It is your responsibility to ensure that your application meets with your specifications. MICROCHIP MAKES NO REPRESENTATIONS OR WARRANTIES OF ANY KIND WHETHER EXPRESS OR IMPLIED, WRITTEN OR ORAL, STATUTORY OR OTHERWISE, RELATED TO THE INFORMATION, INCLUDING BUT NOT LIMITED TO ITS CONDITION, QUALITY, PERFORMANCE, MERCHANTABILITY OR FITNESS FOR PURPOSE. Microchip disclaims all liability arising from this information and its use. Use of Microchip devices in life support and/or safety applications is entirely at the buyer's risk, and the buyer agrees to defend, indemnify and hold harmless Microchip from any and all damages, claims, suits, or expenses resulting from such use. No licenses are conveyed, implicitly or otherwise, under any Microchip intellectual property rights unless otherwise stated.

*Microchip received ISO/TS-16949:2009 certification for its worldwide headquarters, design and wafer fabrication facilities in Chandler and Tempe, Arizona; Gresham, Oregon and design centers in California and India. The Company's quality system processes and procedures are for its PIC® MCUs and dsPIC® DSCs, KEELOQ® code hopping devices, Serial EEPROMs, microperipherals, nonvolatile memory and analog products. In addition, Microchip's quality system for the design and manufacture of development systems is ISO 9001:2000 certified.*

**QUALITY MANAGEMENT SYSTEM  
CERTIFIED BY DNV  
= ISO/TS 16949 =**

**Trademarks**

The Microchip name and logo, the Microchip logo, AnyRate, AVR, AVR logo, AVR Freaks, BeaconThings, BitCloud, CryptoMemory, CryptoRF, dsPIC, FlashFlex, flexPWR, Heldo, JukeBlox, KEELOQ, KEELOQ logo, Klear, LANCheck, LINK MD, maXStylus, maXTouch, MediaLB, megaAVR, MOST, MOST logo, MPLAB, OptoLyzer, PIC, picoPower, PICSTART, PIC32 logo, Prochip Designer, QTouch, RightTouch, SAM-BA, SpyNIC, SST, SST Logo, SuperFlash, tinyAVR, UNI/O, and XMEGA are registered trademarks of Microchip Technology Incorporated in the U.S.A. and other countries.

ClockWorks, The Embedded Control Solutions Company, EtherSynch, Hyper Speed Control, HyperLight Load, IntelliMOS, mTouch, Precision Edge, and Quiet-Wire are registered trademarks of Microchip Technology Incorporated in the U.S.A.

Adjacent Key Suppression, AKS, Analog-for-the-Digital Age, Any Capacitor, AnyIn, AnyOut, BodyCom, chipKIT, chipKIT logo, CodeGuard, CryptoAuthentication, CryptoCompanion, CryptoController, dsPICDEM, dsPICDEM.net, Dynamic Average Matching, DAM, ECAN, EtherGREEN, In-Circuit Serial Programming, ICSP, Inter-Chip Connectivity, JitterBlocker, KlearNet, KlearNet logo, Mindi, MiWi, motorBench, MPASM, MPF, MPLAB Certified logo, MPLIB, MPLINK, MultiTRAK, NetDetach, Omniscient Code Generation, PICDEM, PICDEM.net, PICKit, PICTail, PureSilicon, QMatrix, RightTouch logo, REAL ICE, Ripple Blocker, SAM-ICE, Serial Quad I/O, SMART-I.S., SQI, SuperSwitcher, SuperSwitcher II, Total Endurance, TSHARC, USBCheck, VariSense, ViewSpan, WiperLock, Wireless DNA, and ZENA are trademarks of Microchip Technology Incorporated in the U.S.A. and other countries.

SQTP is a service mark of Microchip Technology Incorporated in the U.S.A.

Silicon Storage Technology is a registered trademark of Microchip Technology Inc. in other countries.

GestIC is a registered trademark of Microchip Technology Germany II GmbH & Co. KG, a subsidiary of Microchip Technology Inc., in other countries.

All other trademarks mentioned herein are property of their respective companies.

© 2017, Microchip Technology Incorporated, All Rights Reserved.  
ISBN: 978-1-5224-2437-6