



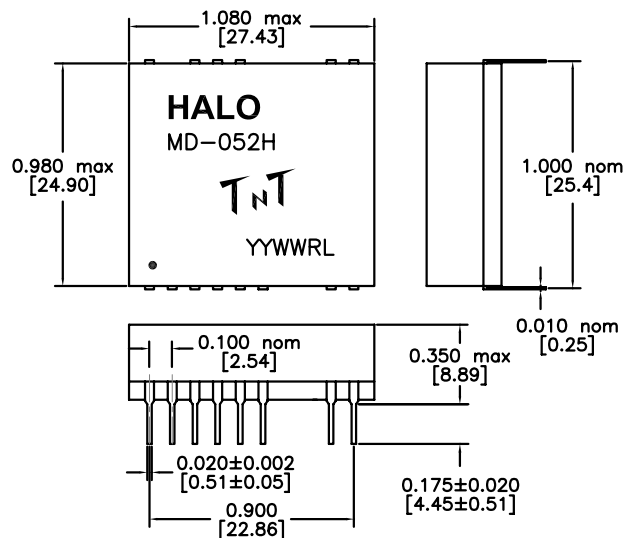
MD-052HRL

HALO Electronics low current Thin Net Transceiver module
 Fully compatible with ANSI/IEEE 802.3 and ISO 8802-3 Standards for Thin Net
 RoHS compliant
 Compatible to Lead-free wave soldering process for through hole components

ELECTRICAL RATINGS

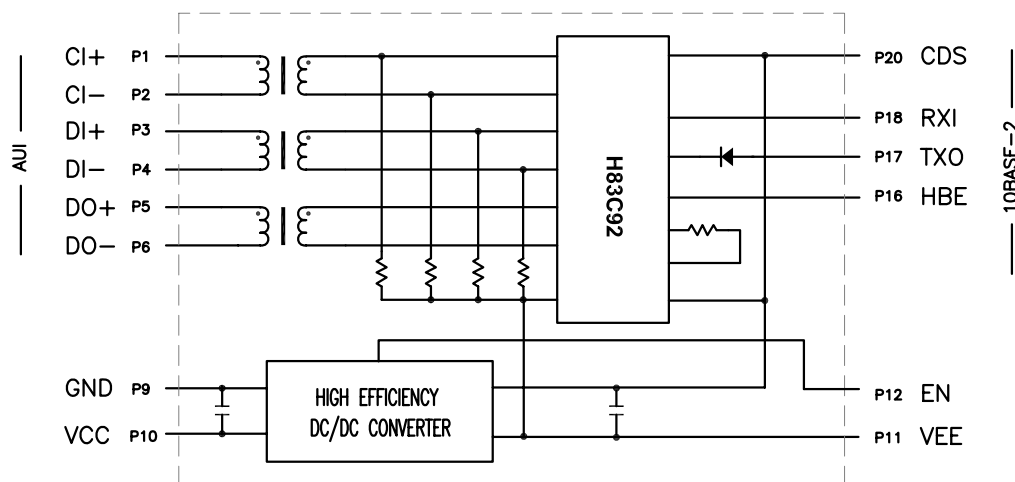
Input voltage (Vcc)	5V±5%	Enable (active High)	TTL compatible
Input current	225mA max@5V	Operating Temperature	0° to 70°C
Vee ripple	100mVpp max@20MHz	Storage Temperature	-40° to +125°C

MECHANICAL DIMENSIONS



DIMENSIONS: Inch [mm]
 RECOMMENDED PCB THROUGH HOLE SIZE: \varnothing 0.035-0.040 INCH
 TOLERANCES: \pm 0.005 INCH IF NOT SPECIFIED

BLOCK DIAGRAM / PIN OUTS



HALO/PBL	TITLE	TRANSCEIVER MODULE		SIGNATURES	DATE	REV.	DESC.	DATE
	FOR	10BASE-2		DRAWN	PETER LU	1/15/08	A	FIRST ISSUE
	PART NO.	MD-052HRL		CHECKED	LEI KEONG	11/23/09	B	PROD. RELEASE
	SCALE	NONE	PAGE	1 OF 1	APPROVED	PETER LU	11/23/09	
				FILE	MD-052HRL.DWG			

CALIFORNIA, USA
 KOWLOON, HONG KONG
 SINGAPORE