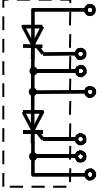
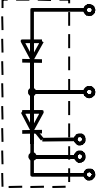
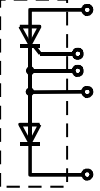


Thyristor/Diode Modules M## 325

Absolute Maximum Ratings

| V_{RRM} V_{DRM} [V] |  MCC |  MCD |  MDC |
|-------------------------------|--|--|--|
| 1400 | 325-14io3 | 325-14io3 | 325-14io3 |
| 1800 | 325-18io3 | 325-18io3 | 325-18io3 |

| | VOLTAGE RATINGS | MAXIMUM LIMITS | UNITS |
|-----------|---|----------------|-------|
| V_{DRM} | Repetitive peak off-state voltage ¹⁾ | 1400-1800 | V |
| V_{DSM} | Non-repetitive peak off-state voltage ¹⁾ | 1500-1900 | V |
| V_{RRM} | Repetitive peak reverse voltage ¹⁾ | 1400-1800 | V |
| V_{RSM} | Non-repetitive peak reverse voltage ¹⁾ | 1500-1900 | V |

| | OTHER RATINGS | MAXIMUM LIMITS | UNITS |
|----------------|--|-------------------|------------------------|
| $I_{T(AV)M}$ | Maximum average on-state current, $T_C = 85^\circ\text{C}$ ²⁾ | 345 | A |
| $I_{T(AV)M}$ | Maximum average on-state current, $T_C = 100^\circ\text{C}$ ²⁾ | 255 | A |
| $I_{T(RMS)M}$ | Nominal RMS on-state current, $T_C = 55^\circ\text{C}$ ²⁾ | 785 | A |
| $I_{T(d.c.)}$ | D.C. on-state current, $T_C = 55^\circ\text{C}$ | 640 | A |
| I_{TSM} | Peak non-repetitive surge $t_p = 10$ ms, $V_{RM} = 60\%V_{RRM}$ ³⁾ | 7.65 | kA |
| I_{TSM2} | Peak non-repetitive surge $t_p = 10$ ms, $V_{RM} \leq 10$ V ³⁾ | 8.50 | kA |
| I^2t | I^2t capacity for fusing $t_p = 10$ ms, $V_{RM} = 60\%V_{RRM}$ ³⁾ | 293×10^3 | A^2s |
| I^2t | I^2t capacity for fusing $t_p = 10$ ms, $V_{RM} \leq 10$ V ³⁾ | 361×10^3 | A^2s |
| $(di/dt)_{cr}$ | Critical rate of rise of on-state current (repetitive) ⁴⁾ | 250 | $\text{A}/\mu\text{s}$ |
| $(di/dt)_{cr}$ | Critical rate of rise of on-state current (non-repetitive) ⁴⁾ | 500 | $\text{A}/\mu\text{s}$ |
| V_{RGM} | Peak reverse gate voltage | 5 | V |
| $P_{G(AV)}$ | Mean forward gate power | 3 | W |
| P_{GM} | Peak forward gate power | 30 | W |
| V_{ISOL} | Isolation Voltage ⁵⁾ | 3000 | V |
| $T_{vj\ op}$ | Operating temperature range | -40 to +130 | $^\circ\text{C}$ |
| T_{stg} | Storage temperature range | -40 to +130 | $^\circ\text{C}$ |

Notes:

- De-rating factor of 0.13% per $^\circ\text{C}$ is applicable for T_{vj} below 25°C .
- Single phase; 50 Hz, 180° half-sinewave.
- Half-sinewave, 130°C T_{vj} initial.
- $V_D = 67\% V_{DRM}$, $I_{TM} = 700\text{A}$, $I_{FG} = 6$ A, $di_G/dt = 1\text{A}/\mu\text{s}$, $T_C = 130^\circ\text{C}$.
- AC RMS voltage, 50 Hz, 1min test

Characteristics

| | PARAMETER | MIN. | TYP. | MAX. | TEST CONDITIONS ¹⁾ | UNITS |
|-----------------------|--|------|------|-------|--|-------|
| V _{TM} | Maximum peak on-state voltage | - | - | 0.91 | I _{TM} = 350 A | V |
| V _{TM} | Maximum peak on-state voltage | - | - | 1.25 | I _{TM} = 1000 A | V |
| V _{T0} | Threshold voltage | - | - | 0.75 | | V |
| r _T | Slope resistance | - | - | 0.50 | | mΩ |
| (dv/dt) _{cr} | Critical rate of rise of off-state voltage | 1000 | - | - | V _D = 67% V _{DRM} , linear ramp, Gate o/c | V/μs |
| I _{DRM} | Peak off-state current | - | - | 40 | Rated V _{DRM} | mA |
| I _{RRM} | Peak reverse current | - | - | 40 | Rated V _{RRM} | mA |
| V _{GT} | Gate trigger voltage | - | - | 2.0 | T _{vj} = 25°C, V _D = 12 V, I _T = 3 A | V |
| I _{GT} | Gate trigger current | - | - | 150 | | mA |
| V _{GD} | Gate non-trigger voltage | 0.25 | - | - | 67% V _{DRM} | V |
| I _L | Latching current | - | - | 700 | V _D = 12 V, T _{vj} = 25°C | mA |
| I _H | Holding current | - | - | 300 | V _D = 12 V, T _{vj} = 25°C | mA |
| t _{gd} | Gate controlled turn-on delay time | - | - | 2.0 | I _{FG} = 6 A, di _G /dt = 1 A/μs, V _D = 40%V _{DRM} , I _{TM} = 350 A, di/dt = 10 A/μs, T _{vj} = 25°C | μs |
| Q _{rr} | Recovered Charge | - | - | 1450 | I _{TM} = 320 A, t _p = 1 ms, di/dt = 10A/μs, V _R = 100 V | μC |
| Q _{ra} | Recovered Charge, 50% chord | - | - | 1200 | | μC |
| I _{rm} | Reverse recovery current | - | - | 120 | | A |
| t _{rr} | Reverse recovery time, 50% chord | - | - | 20 | | μs |
| t _q | Turn-off time | - | - | 160 | I _{TM} = 320 A, t _p = 1 ms, di/dt = 10 A/μs, V _R = 100 V, V _{DR} = 67%V _{DRM} , dv _{DR} /dt = 50 V/μs | μs |
| R _{thJC} | Thermal resistance, junction to case | - | - | 0.110 | Single Thyristor | K/W |
| | | - | - | 0.055 | Whole Module | K/W |
| R _{thCH} | Thermal resistance, case to heatsink | - | - | 0.04 | Single Thyristor | K/W |
| | | - | - | 0.02 | Whole Module | K/W |
| F ₁ | Mounting force (to heatsink) | 5.10 | - | 6.90 | | Nm |
| F ₂ | Mounting force (to terminals) | 7.65 | - | 10.35 | ²⁾ | Nm |
| W _t | Weight | - | 800 | - | | g |

Notes:

- 1) Unless otherwise indicated T_{vj}=130°C.
- 2) Screws must be lubricated.

Notes on Ratings and Characteristics

1.0 Voltage Grade Table

| Voltage Grade | V _{DRM} V _{R_{RRM}} V | V _{DSM} V _{R_{RSM}} V | V _D V _R DC V |
|---------------|--|--|---------------------------------------|
| 12 | 1200 | 1300 | 900 |
| 14 | 1400 | 1500 | 1050 |
| 16 | 1600 | 1700 | 1200 |
| 18 | 1800 | 1900 | 1350 |

2.0 Extension of Voltage Grades

This report is applicable to other voltage grades when supply has been agreed by Sales/Production.

3.0 De-rating Factor

A blocking voltage de-rating factor of 0.13%/°C is applicable to this device for T_{vj} below 25°C.

4.0 Repetitive dv/dt

Standard dv/dt is 1000V/μs.

5.0 Snubber Components

When selecting snubber components, care must be taken not to use excessively large values of snubber capacitor or excessively small values of snubber resistor. Such excessive component values may lead to device damage due to the large resultant values of snubber discharge current. If required, please consult the factory for assistance.

6.0 Rate of rise of on-state current

The maximum un-primed rate of rise of on-state current must not exceed 500A/μs at any time during turn-on on a non-repetitive basis. For repetitive performance, the on-state rate of rise of current must not exceed 250A/μs at any time during turn-on. Note that these values of rate of rise of current apply to the total device current including that from any local snubber network.

7.0 Computer Modelling Parameters

7.1 Thyristor Dissipation Calculations

$$I_{AV} = \frac{-V_{T0} + \sqrt{V_{T0}^2 + 4 \cdot ff^2 \cdot r_T \cdot W_{AV}}}{2 \cdot ff^2 \cdot r_T} \quad \text{and:} \quad W_{AV} = \frac{\Delta T}{R_{th}}$$

$$\Delta T = T_{j\max} - T_C$$

Where V_{T0} = 0.75 V, r_T = 0.50 mΩ.

R_{th} = Supplementary thermal impedance, see table on next page and

ff = Form factor, see table on next page.

| Supplementary Thermal Impedance | | | | | | | |
|---------------------------------|--------|--------|--------|--------|--------|--------|--------|
| Conduction Angle | 30° | 60° | 90° | 120° | 180° | 270° | d.c. |
| Square wave | 0.1170 | 0.1163 | 0.1156 | 0.1150 | 0.1137 | 0.1119 | 0.1100 |
| Sine wave | 0.1165 | 0.1156 | 0.1150 | 0.1142 | 0.1123 | | |

| Form Factors | | | | | | | |
|------------------|-------|-------|-------|-------|-------|-------|-------|
| Conduction Angle | 30° | 60° | 90° | 120° | 180° | 270° | d.c. |
| Square wave | 3.464 | 2.449 | 2.000 | 1.732 | 1.414 | 1.149 | 1.000 |
| Sine wave | 3.980 | 2.778 | 2.220 | 1.879 | 1.570 | | |

7.2 Calculating thyristor V_T using ABCD Coefficients

The on-state characteristic I_T vs. V_T , on page 6 is represented by a set of constants A, B, C, D, forming the coefficients of the representative equation for V_T in terms of I_T given below:

$$V_T = A + B \cdot \ln(I_T) + C \cdot I_T + D \cdot \sqrt{I_T}$$

The constants, derived by curve fitting software, are given below for both hot and cold characteristics. The resulting values for V_T agree with the true device characteristic over a current range, which is limited to that plotted.

| 25°C Coefficients | | 125°C Coefficients | |
|-------------------|--------------------------|--------------------|---------------------------|
| A | 0.9377735 | A | 0.5178489 |
| B | 0.02863417 | B | 0.0409915 |
| C | 3.40709×10^{-4} | C | 4.59674×10^{-4} |
| D | 2.08604×10^{-4} | D | -2.65973×10^{-4} |

8.3 D.C. Thermal Impedance Calculation

$$r_t = \sum_{p=1}^{p=n} r_p \cdot \left(1 - e^{\frac{-t}{\tau_p}} \right)$$

Where $p = 1$ to n and:

- n = number of terms in the series
- t = Duration of heating pulse in seconds
- r_t = Thermal resistance at time t
- r_p = Amplitude of p^{th} term
- τ_p = Time Constant of r_{th} term

The coefficients for this device are shown in the table below:

| D.C. | | | | |
|----------|------------|------------|------------|------------|
| Term | 1 | 2 | 3 | 4 |
| r_p | 0.06311777 | 0.01445992 | 0.0202182 | 0.01254488 |
| τ_p | 2.815199 | 0.6437661 | 0.09192482 | 0.02995412 |

9.0 Reverse recovery ratings

(i) Q_{ra} is based on 50% I_{RM} chord as shown in Fig. 1

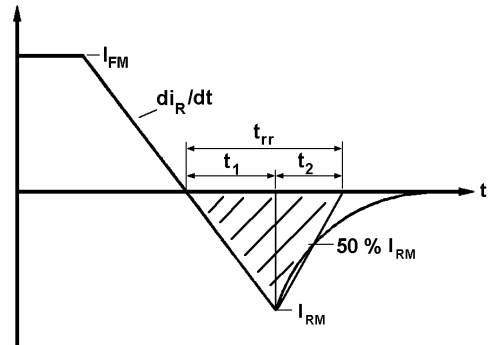


Fig. 1

(ii) Q_{rr} is based on a 150 μs integration time i.e.

$$Q_{rr} = \int_0^{150\mu s} i_{rr} \cdot dt$$

(iii) $K \text{ Factor} = \frac{t_1}{t_2}$

Curves

Figure 1 – On-state characteristics of Limit device

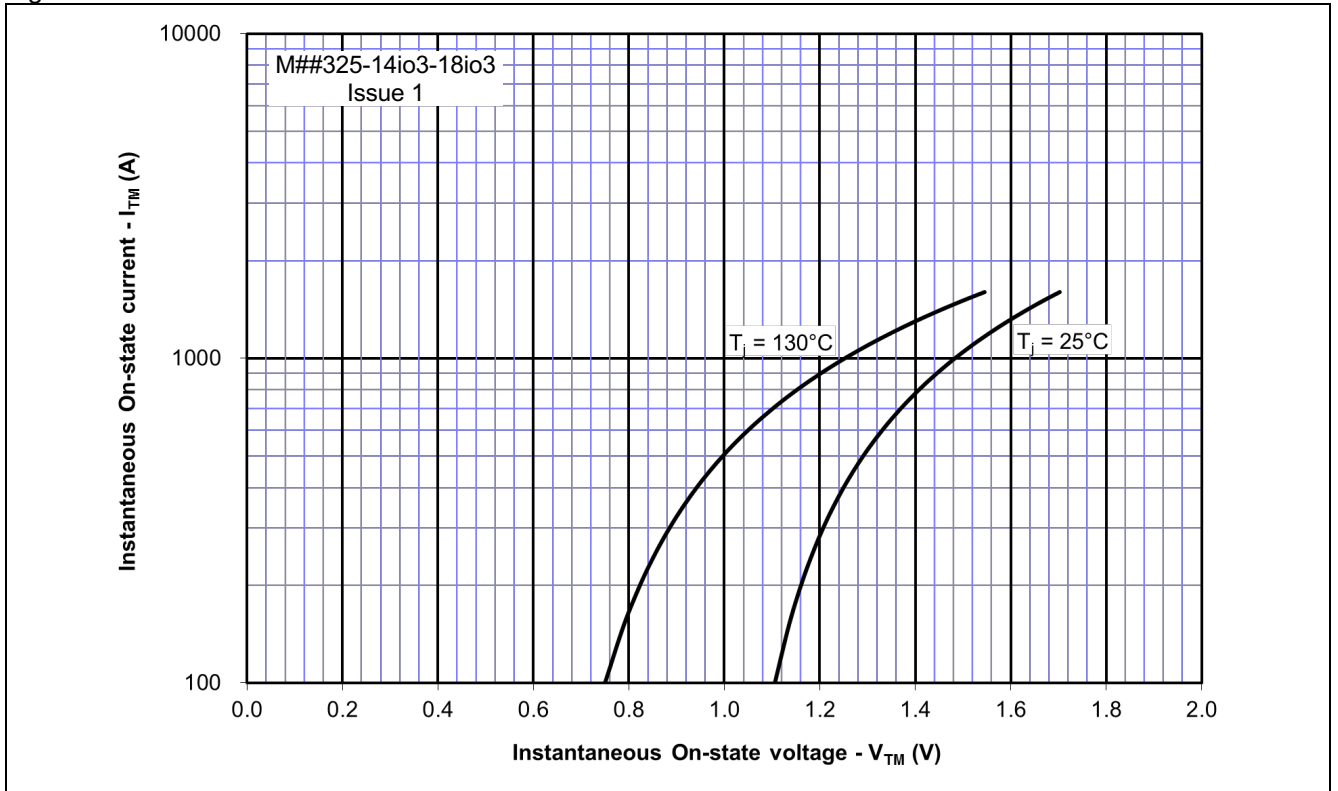


Figure 2 – Gate characteristics – Trigger limits

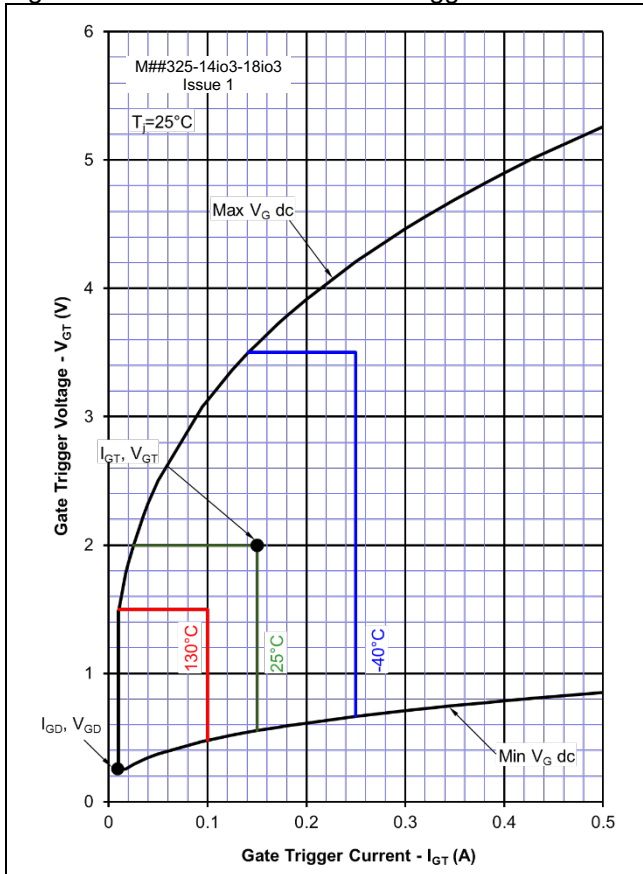


Figure 3 – Gate characteristics – Power curves

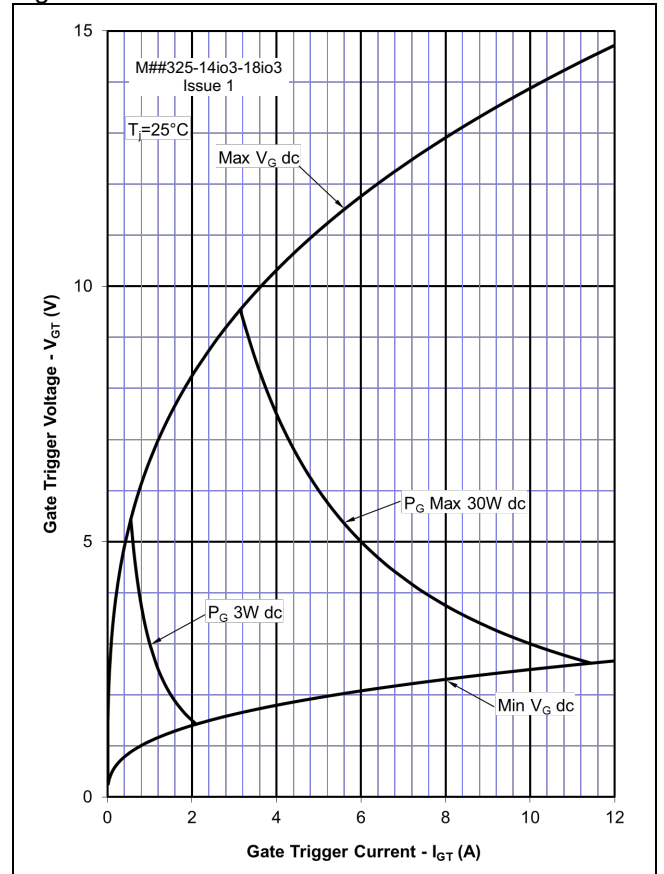


Figure 4 - Total recovered charge, Q_{rr}

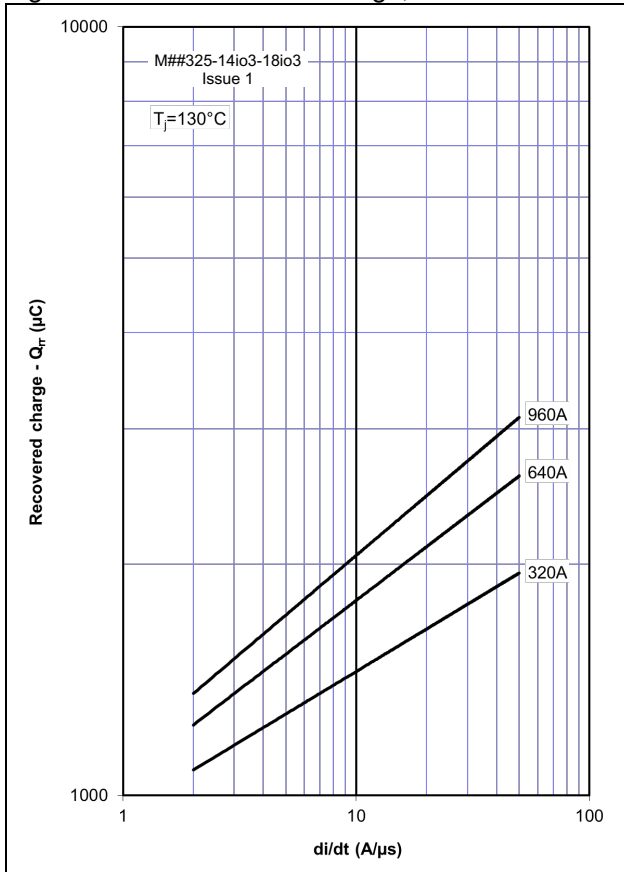


Figure 5 - Recovered charge, Q_{ra} (50% chord)

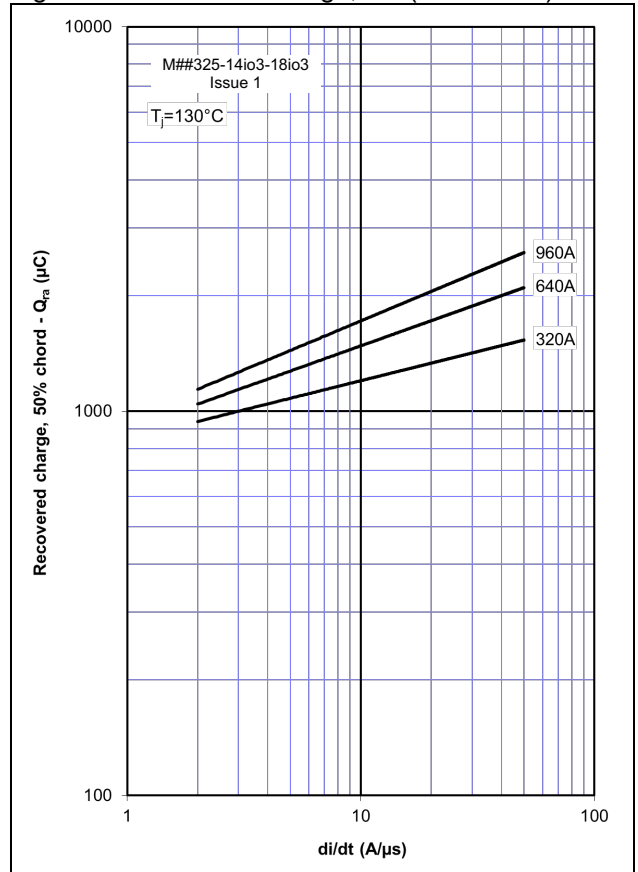


Figure 6 - Peak reverse recovery current, I_{rm}

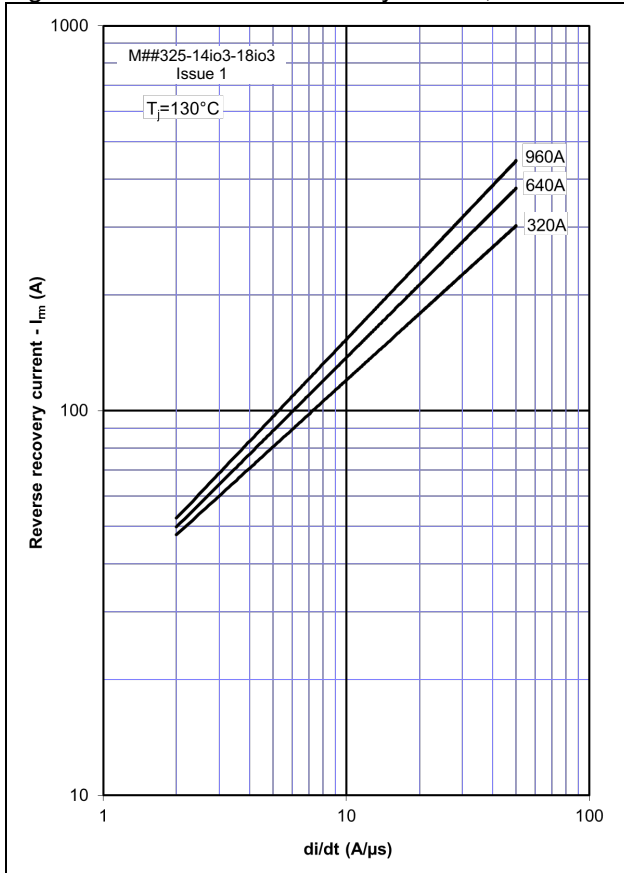


Figure 7 - Maximum recovery time, t_{rr} (50% chord)

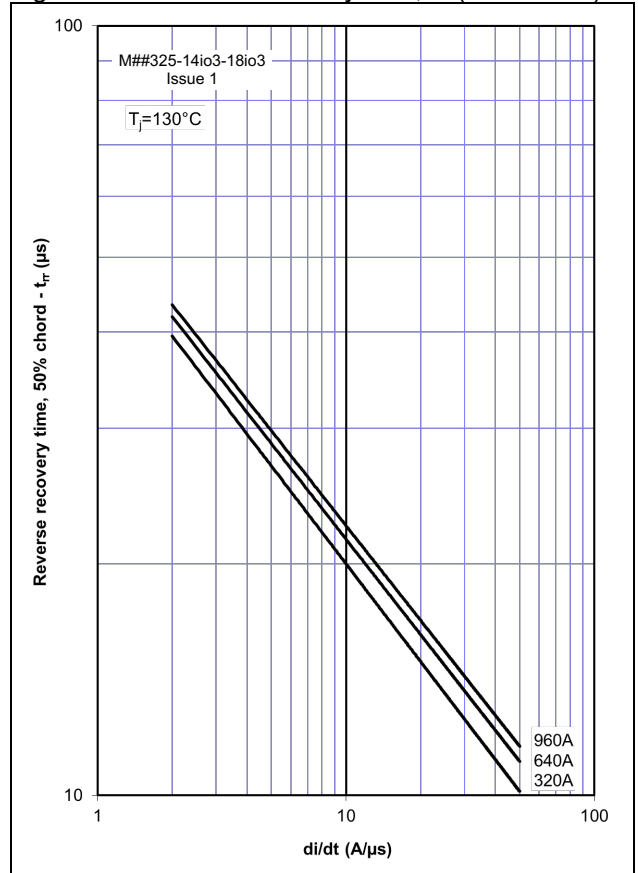


Figure 8 – On-state current vs. Power dissipation – Sine wave

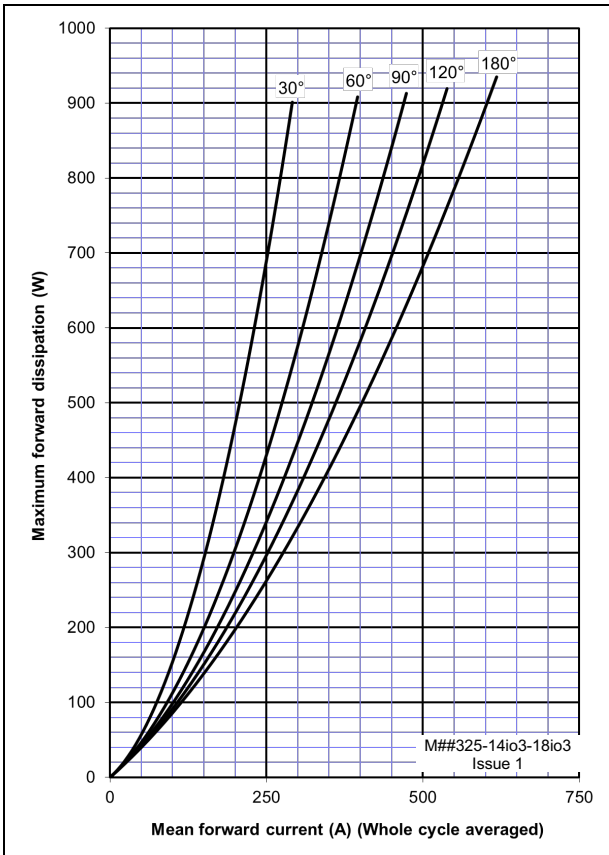


Figure 9 – On-state current vs. Heatsink temperature – Sine wave

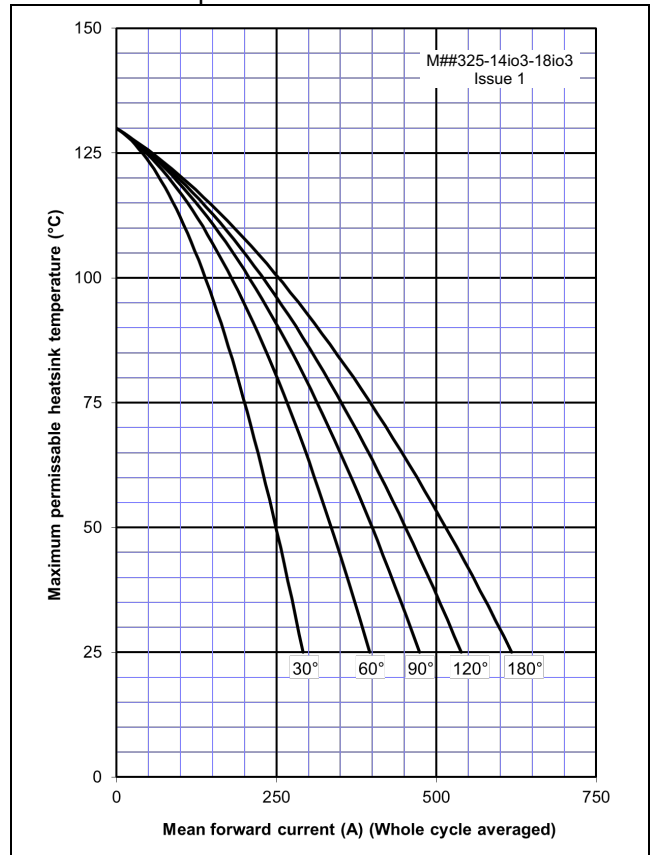


Figure 10 – On-state current vs. Power dissipation – Square wave

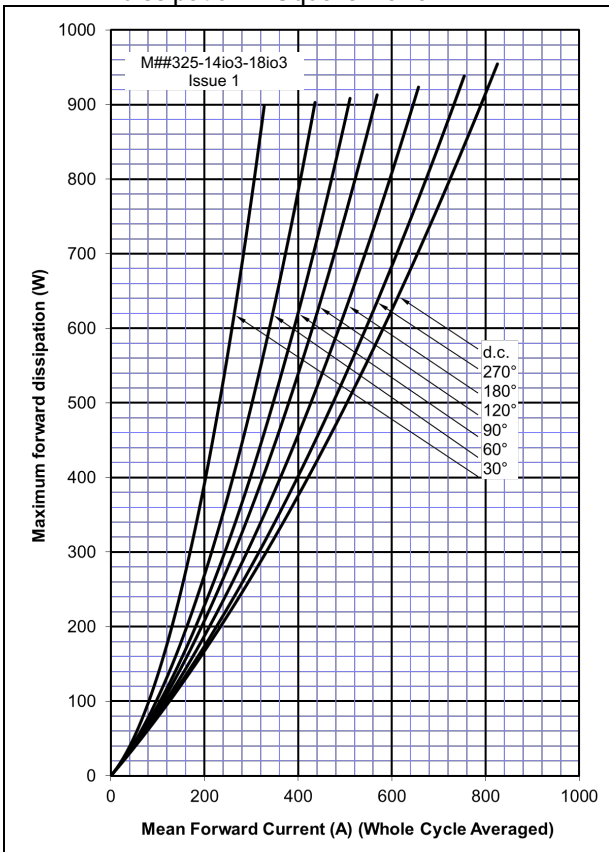


Figure 11 – On-state current vs. Heatsink temperature – Square wave

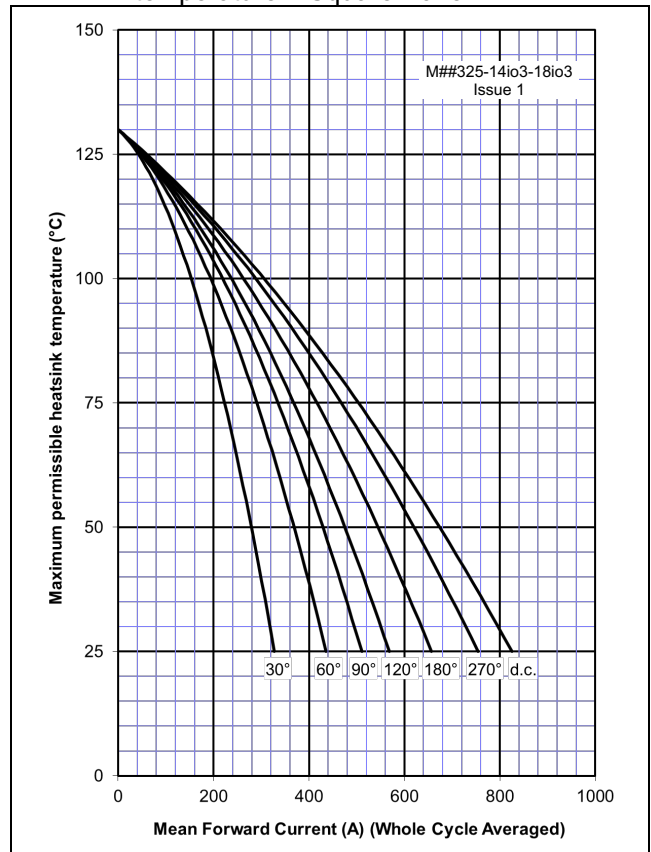


Figure 12 – Maximum surge and I^2t Ratings

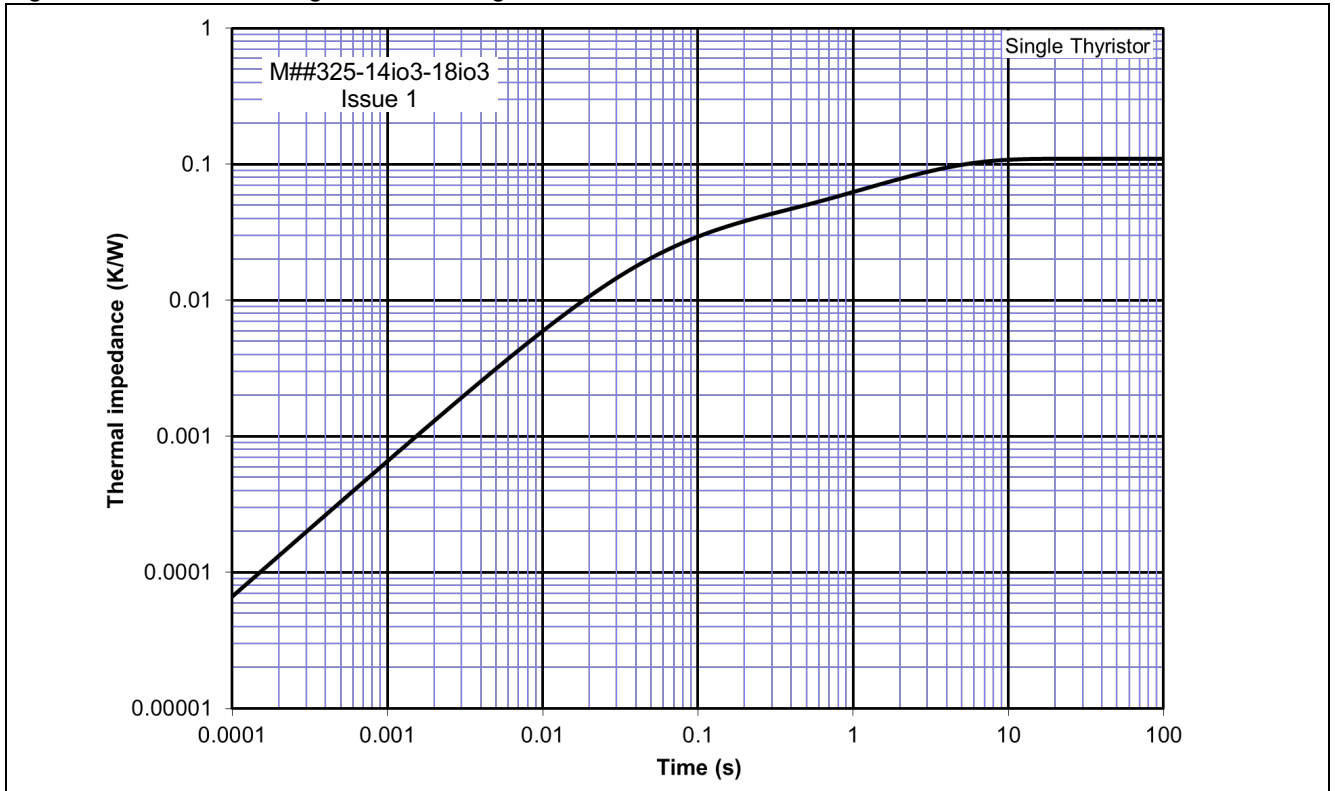
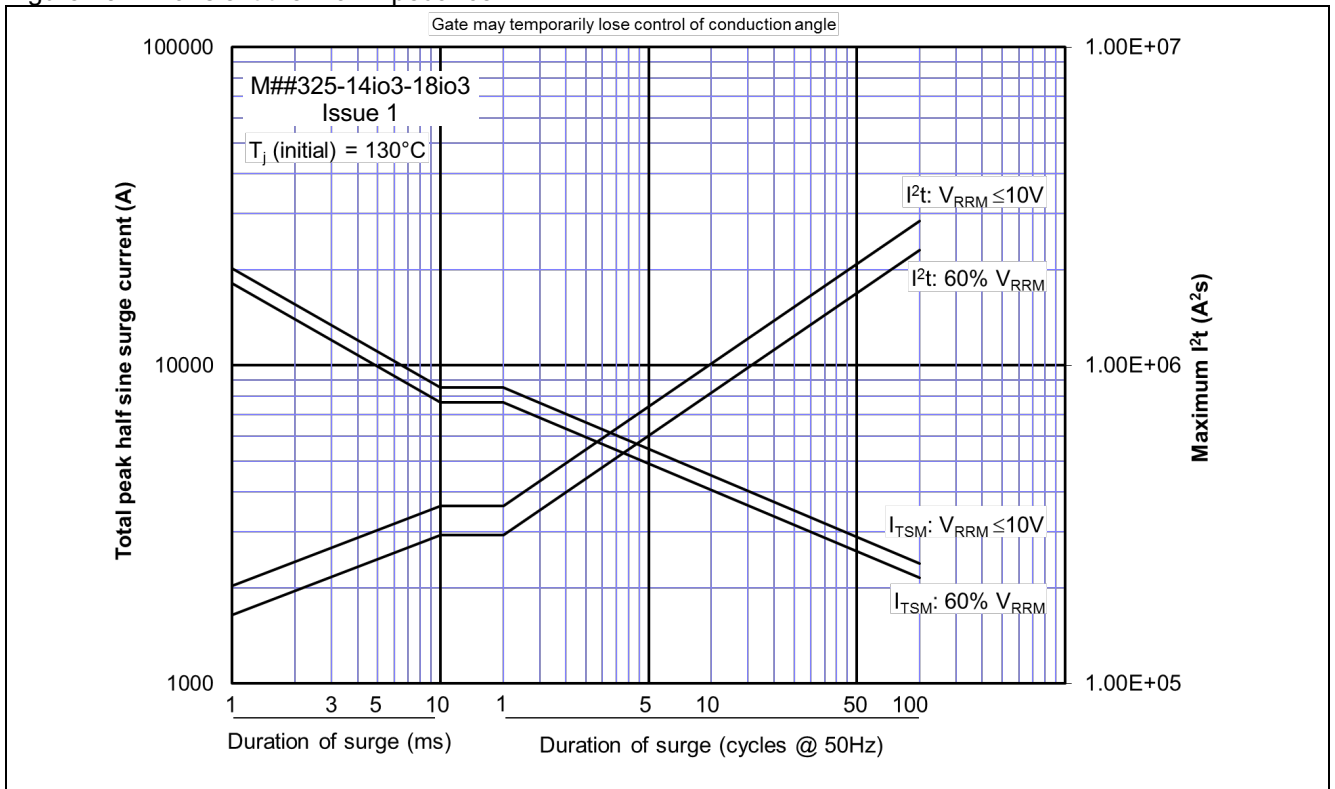
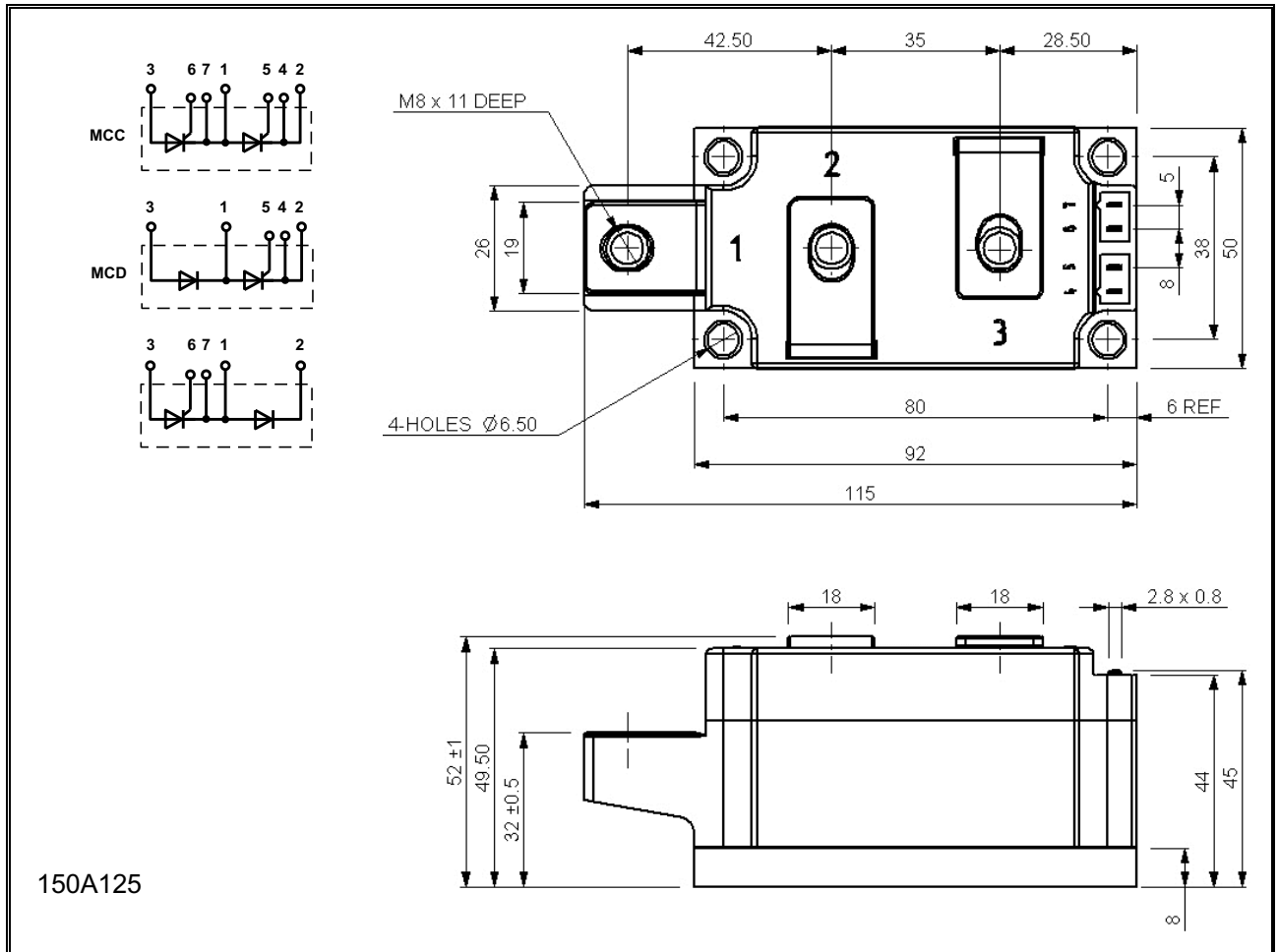


Figure 13 – Transient thermal impedance



Outline Drawing & Ordering Information



150A125

ORDERING INFORMATION

(Please quote 11 digit code as below)

| | | | | | |
|-----------------|---------------------------------|-----------------|---------------------------------------|---|--------------------|
| M | ## | 325 | ◆◆ | io | 3 |
| Fixed Type Code | Configuration code CC, CD or DC | Fixed Type Code | Voltage code $V_{RRM}/100$ 14 & 18 | i = Critical dv/dt 1000 V/μs o = Typical turn-off time | Fixed Version Code |

Typical order code: MCD325-14io3- MCD configuration, 1400V V_{RRM}

IXYS Semiconductor GmbH
Edisonstraße 15
D-68623 Lampertheim
Tel: +49 6206 503-0
Fax: +49 6206 503-627
E-mail: marcom@ixys.de



IXYS UK Westcode Ltd
Langley Park Way, Langley Park,
Chippenham, Wiltshire, SN15 1GE.
Tel: +44 (0)1249 444524
Fax: +44 (0)1249 659448
E-mail: sales@ixysuk.com

IXYS Corporation
1590 Buckeye Drive
Milpitas CA 95035-7418
Tel: +1 (408) 547 9000
Fax: +1 (408) 496 0670
E-mail: sales@ixys.net

www.ixysuk.com

www.ixys.com

IXYS Long Beach, Inc
IXYS Long Beach, Inc
2500 Mira Mar Ave, Long Beach
CA 90815
Tel: +1 (562) 296 6584
Fax: +1 (562) 296 6585
E-mail: service@ixyslongbeach.com

The information contained herein is confidential and is protected by Copyright. The information may not be used or disclosed except with the written permission of and in the manner permitted by the proprietors IXYS UK Westcode Ltd.

© IXYS UK Westcode Ltd.

In the interest of product improvement, IXYS UK Westcode Ltd reserves the right to change specifications at any time without prior notice.

Devices with a suffix code (2-letter, 3-letter or letter/digit/letter combination) added to their generic code are not necessarily subject to the conditions and limits contained in this report.