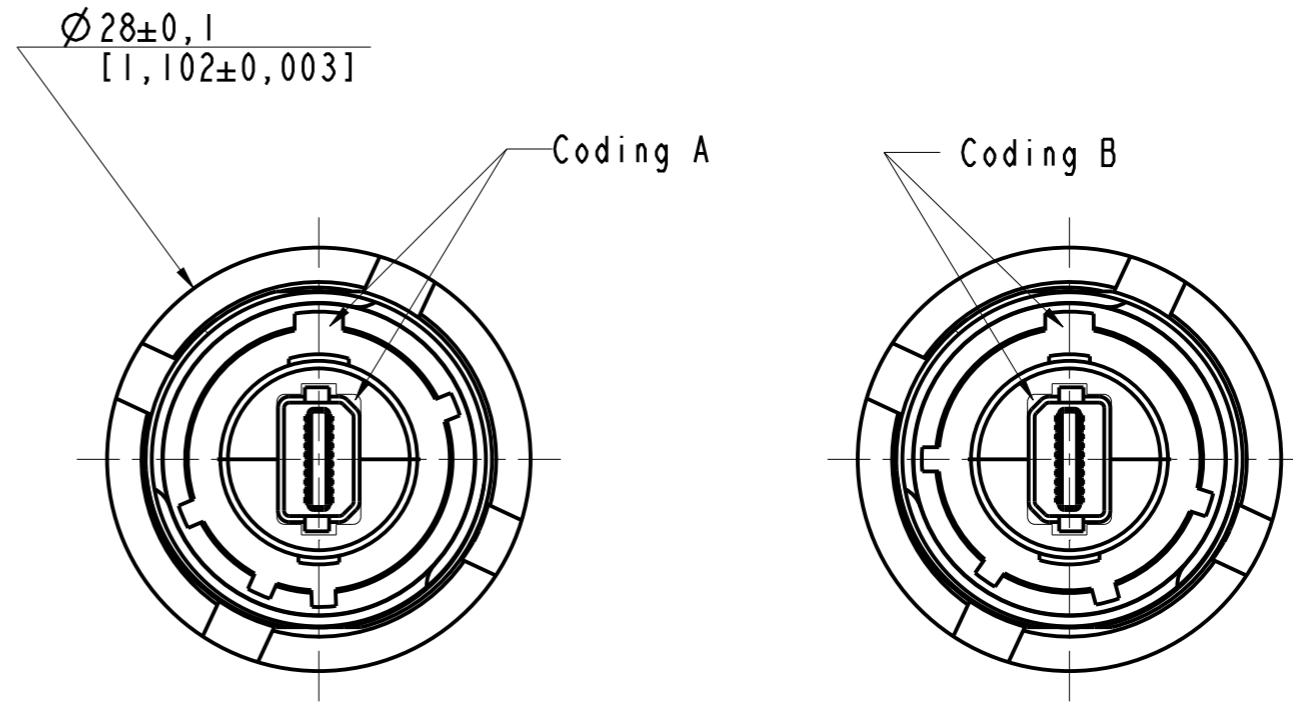
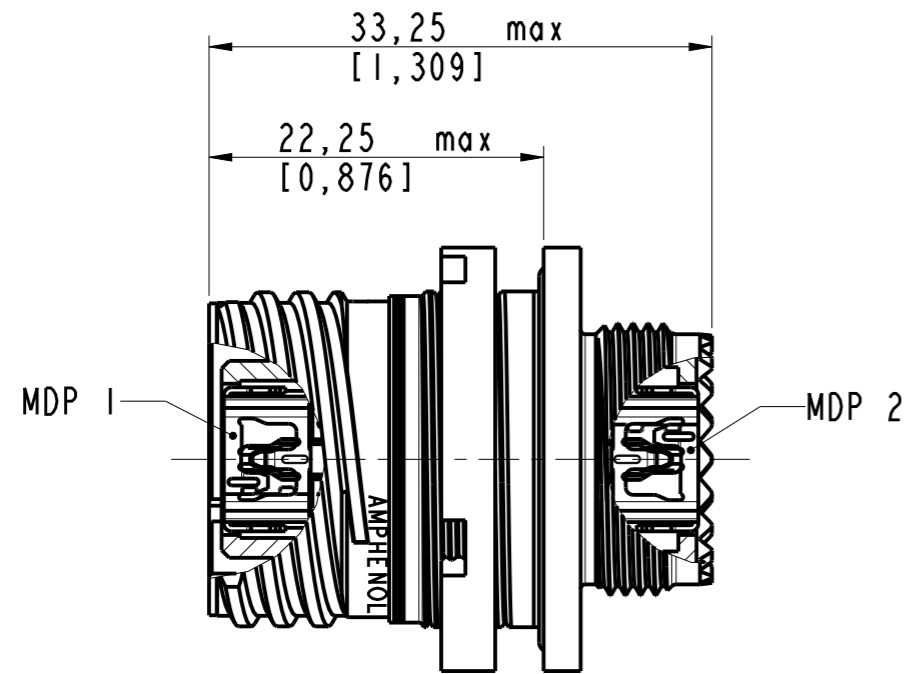


DANS LE BUT CONSTANT D'AMELIORER SES PRODUITS, Amphenol Socapex SE RESERVE LE DROIT D'EN MODIFIER TOUTE COTE OU CARACTERISTIQUE.
IMP 036 A



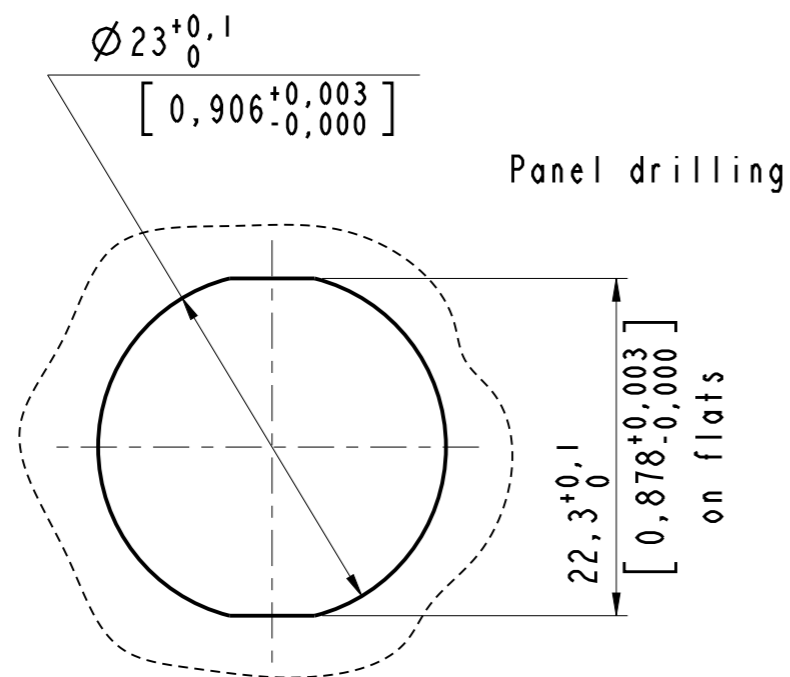
Possible references:

- MDP FTV 7 x G F312 olive drab cadmium plating
- MDP FTV 7 x N F312 nickel plating
- MDP FTV 7 x ZN F312 black zinc nickel plating

↑ Coding A or B

Product usable with male Mini Display Port cordset

Pin assignments				
	MDP 1		MDP 2	
	Signal type	N° pin	N° pin	Signal type
	GND	1	8	GND
	Out	3	12	In
		5	10	
	GND	7	13	GND
	Out	9	17	In
		11	15	
	GND	13	7	GND
	Out	15	11	In
		17	9	
	GND	19	19	GND
	In	2	2	Out
	CFG	4	4	CFG
	CFG	6	6	CFG
	GND	8	1	GND
	Out	10	5	In
		12	3	
	GND	14	14	GND
	I/O	16	16	I/O
		18	18	
	PWR out	20	20	PWR out



MDP FTV 7 x x F312

MODIFICATIONS	A	Plan original	ECHELLE
	B	Updated drawing 10/10/17	

Amphenol Socapex
BP 29 - 74311 THYEZ CEDEX

DESSIN: TUPIN le 31/01/17
TECHNIQUE: GUYOMAR le 10/10/17
<input checked="" type="checkbox"/> A <input type="checkbox"/> B
191-PLC-749-00 1/1