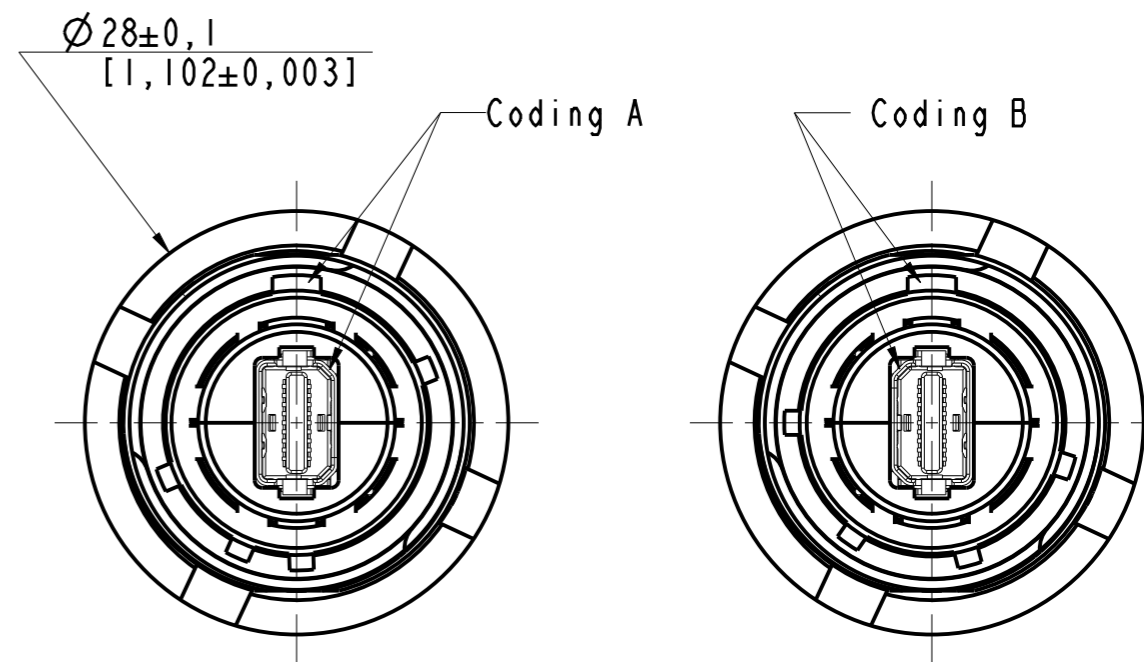
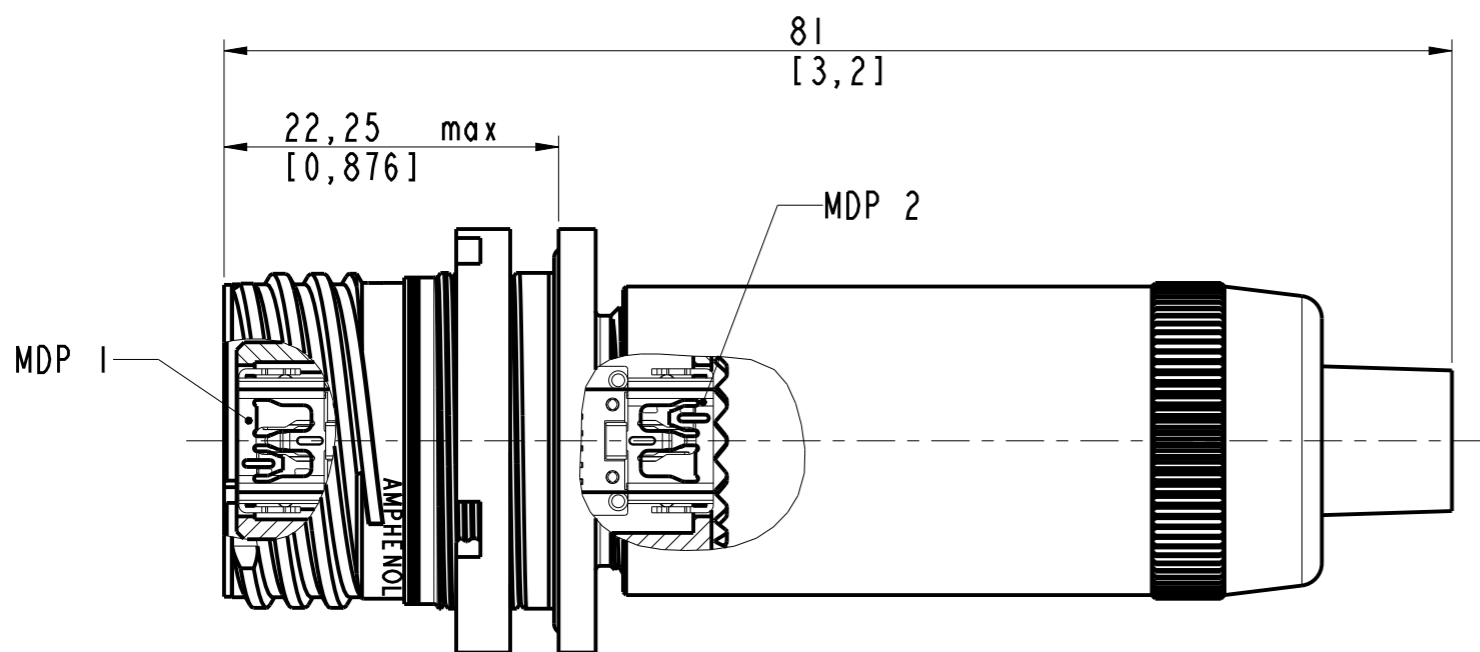


DANS LE BUT CONSTANT D'AMELIORER SES PRODUITS, Amphenol Socapex SE RESERVE LE DROIT D'EN MODIFIER TOUTE COTE OU CARACTERISTIQUE.
IMP 036 A

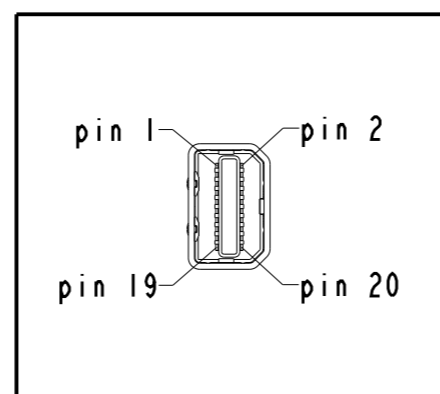
Product usable with male Mini Display Port cordset



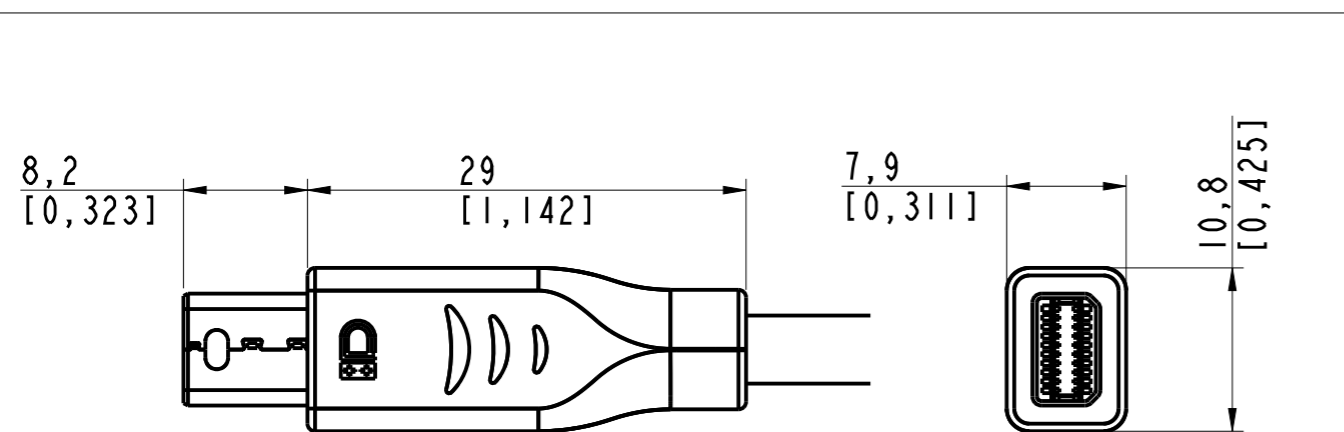
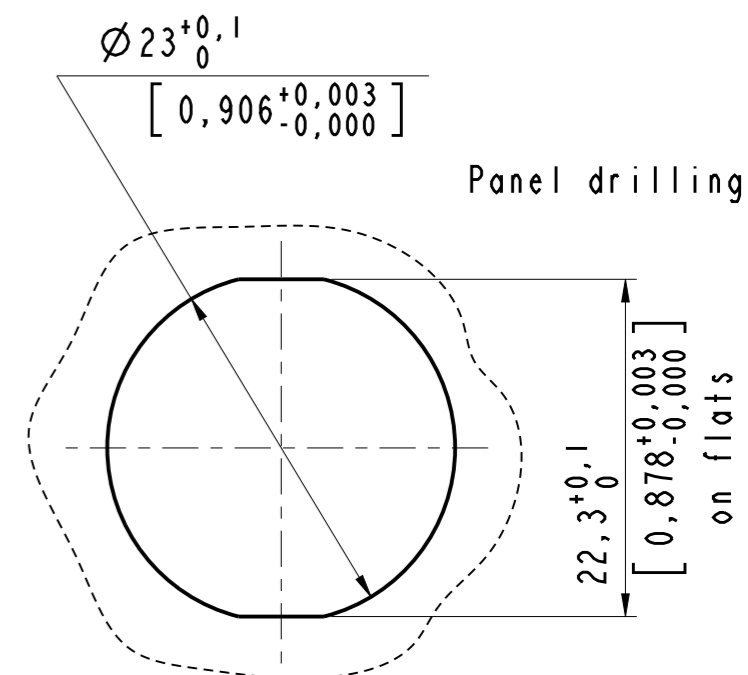
Possible references:

- MDP FTV 7 x PE G F312 olive drab cadmium plating
- MDP FTV 7 x PE N F312 nickel plating
- MDP FTV 7 x PE ZN F312 black zinc nickel plating

↑ Coding A or B



Pin assignments				
	MDP 1		MDP 2	
Signal type	N° pin	N° pin	Signal type	
GND	1	8	GND	
Out	3	12	In	
	5	10		
GND	7	13	GND	
Out	9	17	In	
	11	15		
GND	13	7	GND	
Out	15	11	In	
	17	9		
GND	19	19	GND	
In	2	2	Out	
CFG	4	4	CFG	
CFG	6	6	CFG	
GND	8	1	GND	
Out	10	5	In	
	12	3		
GND	14	14	GND	
I/O	16	16	I/O	
	18	18		
PWR out	20	20	PWR out	



Usable male Mini Display Port cordset (not included).

MDP FTV 7 x PE x F312

MODIFICATIONS	B	Plan modifié 29/11/17	ECHELLE 2,000	Amphenol Socapex BP 29 - 74311 THYEZ CEDEX	DESSIN: TUPIN 1e 01/02/17
					TECHNIQUE: GUYOMAR 1e 15/02/18
					B