

# MEA-DSRC-01P

## SMALL I-BAR DSRC ANTENNA

### Description

The MEA-DSRC-01P is a small, external mount DSRC antenna for 5850 - 5950MHz. This DSRC (Dedicated Short Range Communications) antenna was designed for vehicle-to-vehicle communication for active safety control. The back side of the antenna contains a foam adhesive for easy, reliable mounting. The antenna is waterproof and rated IPX7. It is available with an SMA, FAKRA or customer specified connector.

### Electrical Specifications

Parameter	Design Specifications
Frequency Range (MHz)	5850 - 5950 MHz
VSWR	2.0 : 1 Max
Impedance	50 Ohm
Peak Gain	5.0 dBi @ 2300 ~ 2700 MHz
Average Efficiency	5850 ~ 5950 MHz ≥ 50%

### Mechanical Specifications

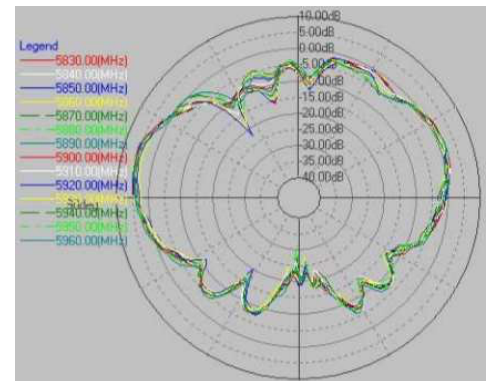
Parameter	Design Specifications
Antenna Dimension (mm <sup>3</sup> )	105.1 x 30.1 x 6.7 mm <sup>3</sup>
Mounting Function	Foam Adhesive
Operating Temp.	-40 °C ~ +85 °C
Housing Material & Color	PC+ABS & Black
Cable	RG-174
Cable Length	30 cm
Connector	SMA / FAKRA or customer specified
Waterproof	IPX7



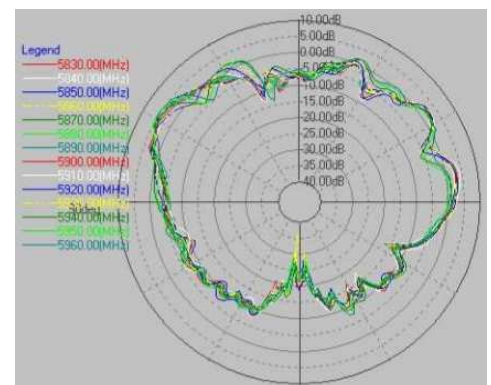
### Applications

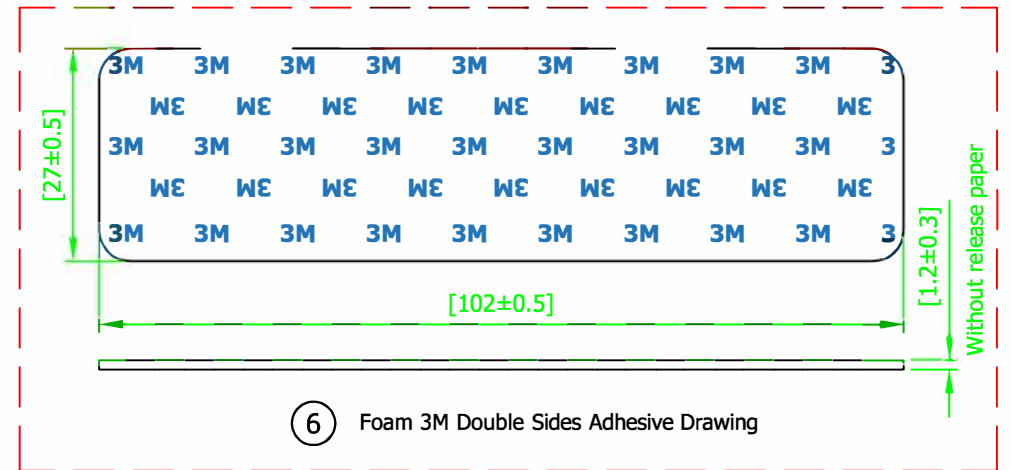
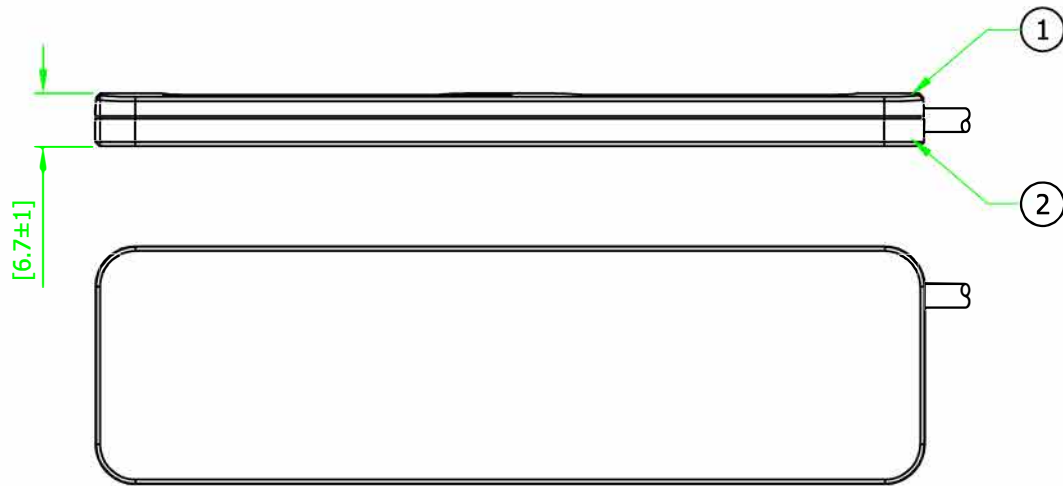
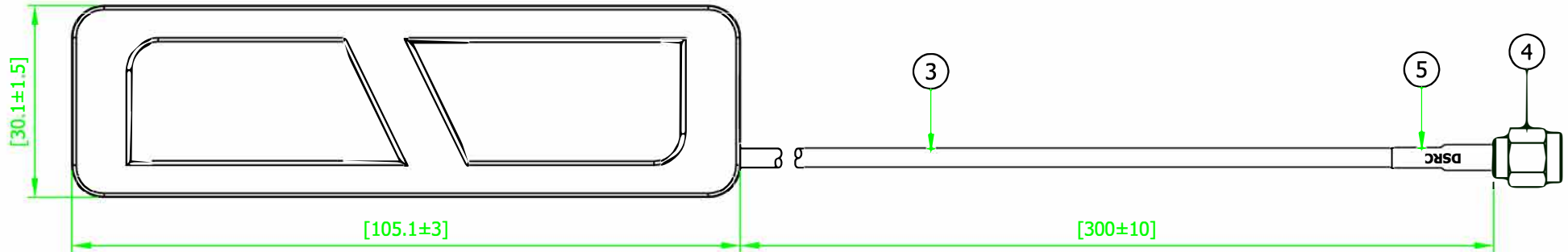
- V2V (Vehicle-to-vehicle)
- V2X (Vehicle-to-Other)

### X-Z Pattern



### Y-Z Pattern





DSRC Antenna:  
 Frequency:5850~5950 MHz.  
 Waterproof level: IPX7

Note: Critical To Function Dimension Are Mark With [X...]

6	Black Foam Adhesive	3M 4612		White Liner
5	H.S Tube(RG-174)	Heat Shrink Tube		Red on white
4	Connector	SMA(M) ST	1	Gold Plated
3	Cable	RG-174 Cable	1	Black
2	Antenna Housing Bottom	PC+ABS	1	Black
1	Antenna Housing Top	PC+ABS	1	Black
NO	DESCRIPTION		Q'TY	REMARK

CUSTOMER'S SINGATURE	XX	±5.0	APPROVED	CUSTOMER:	
	X	±2.0		PART NO :	
	.X	±1.0	CHECKED	PARTNAME : Small I-Bar DSRC Antenna	
	.XX	±0.5		W.Y P/NO :	
	XXX	±0.1	DRAWING	REV	:
			A	mm	SHEET : 1/1

