



# MEA-SW-700-3800

## 2G/3G/4G/ISM/WIFI & GNSS

Part #: 189-00046-01



### Description

The MEA-SW-700-3800 is a high performance very robust antenna solution. This is a surface screw mount antenna covering 698MHz – 3800MHz featuring N Type connector and seal ring. The MEA-SW-700-3800 antenna is IP68 rated and therefore very suitable for challenging outdoor environments and installations.

The small size, high performance and rugged mechanical features such as the metal base make this antenna ideal for any 2G/3G/4G/ISM/Wi-Fi & GNSS IoT solutions.

### Electrical Specifications

| Parameter       | Specification      |
|-----------------|--------------------|
| Frequency Range | 698-960 - 3800 MHz |
| Impedance       | 50 $\Omega$        |
| Gain            | 4.0 dB             |
| V.S.W.R         | $\leq 3.0$         |
| Radiation       | Omni-Directional   |
| Polarization    | Vertical           |

### Mechanical Specifications

| Parameter               | Specification          |
|-------------------------|------------------------|
| Antenna Dimensions      | $\Phi 41 \times 84$ mm |
| Operating Temperature   | - 40 °C to + 85 °C     |
| Antenna Radome Material | PC + ABS               |
| Connector               | N Male                 |
| Waterproof              | IP68                   |

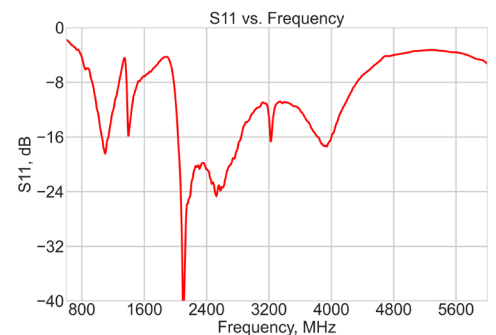
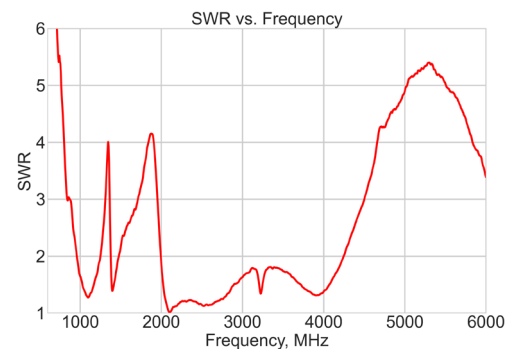
### Features

- 2G/3G/4G/ISM/Wi-Fi & GNSS frequency bands
- N Type connector & seal ring
- IP68 rated / UV protected
- Rugged industrial design
- Ground plane Independent

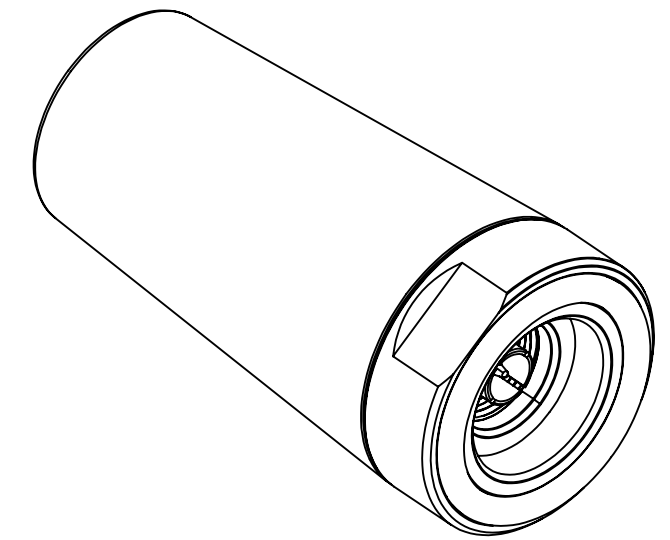
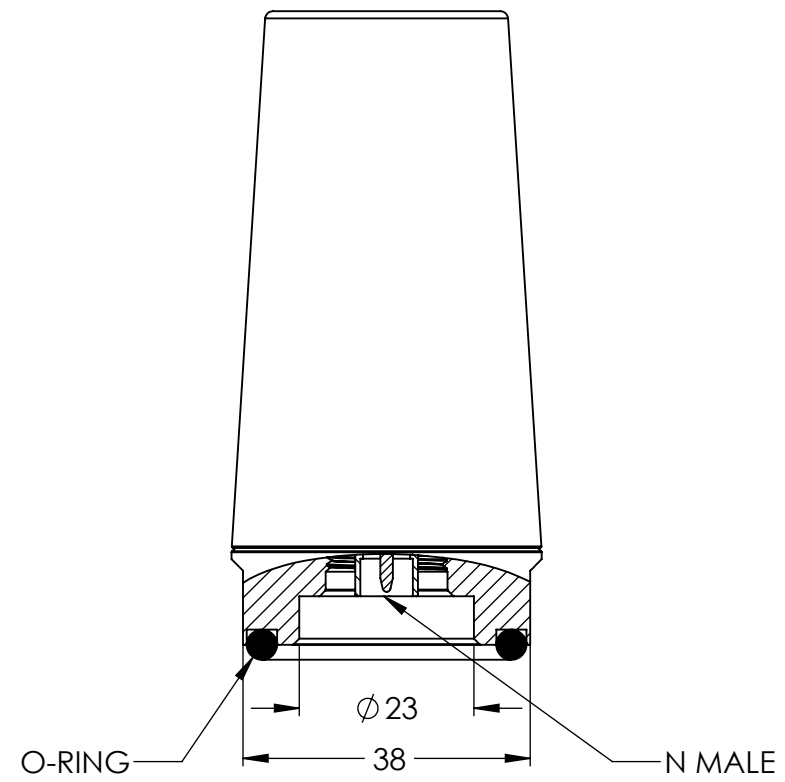
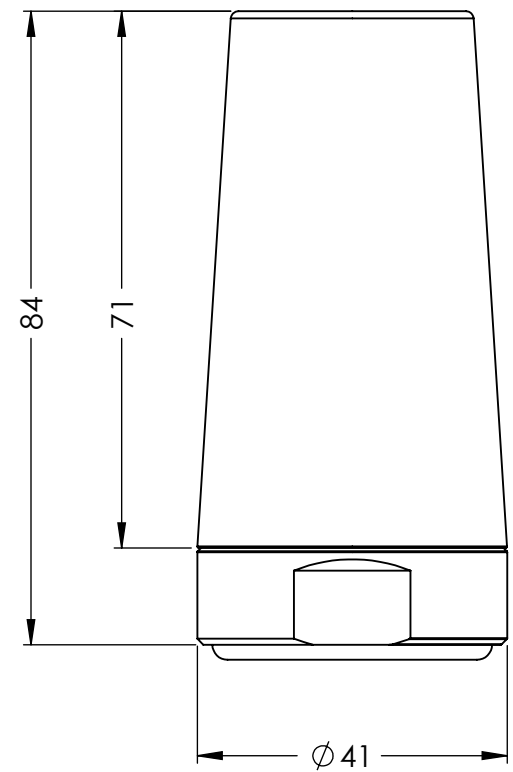
### Applications

- Industrial IoT
- Public Safety & Security
- Utilities & Smart Connected Cities
- Fleet Management & Tracking
- FirstNet

### Radiation Patterns



| DRAWING REVISION HISTORY |                 |            |    |
|--------------------------|-----------------|------------|----|
| REV                      | DESCRIPTION     | DATE       | BY |
| A                        | INITIAL RELEASE | 2020-11-30 | QZ |



NOTES:

1. FREQUENCY: 698-3800MHZ
2. IMPEDANCE: 50 OHM
3. V.S.W.R: ≤ 3.0
4. GAIN: 4.0 dB
5. POLARIZATION: VERTICAL
6. RADIATION: OMNI
7. MATERIAL: PC+ABS
8. CONNECTOR: N MALE
9. WATERPROOF: IP68
10. OPERATING TEMPERATURE: -40°C TO +85°C

| ITEM 189-00046-01 REVISION HISTORY |                 |            |    |
|------------------------------------|-----------------|------------|----|
| REV                                | DESCRIPTION     | DATE       | BY |
| A                                  | INITIAL RELEASE | 2020-11-30 | QZ |

PROPRIETARY AND CONFIDENTIAL

THE INFORMATION CONTAINED IN THIS DRAWING IS THE SOLE PROPERTY OF MAXTENA, INC. ANY REPRODUCTION IN PART OR AS A WHOLE WITHOUT THE WRITTEN PERMISSION OF MAXTENA, INC IS PROHIBITED.

UNLESS OTHERWISE SPECIFIED:

DIMENSIONS ARE IN MM  
TOLERANCES:  
FRACTIONAL: ±  
ANGULAR: MACH ± .5° BEND ±  
INTEGER: ± 2  
ONE PLACE DECIMAL ± 1.0  
TWO PLACE DECIMAL ± .50  
INTERPRET GEOMETRIC TOLERANCING PER:

THIRD ANGLE PROJECTION  
DO NOT SCALE DRAWING

|           | NAME | DATE       |
|-----------|------|------------|
| DRAWN     | QZ   | 2020-11-30 |
| CHECKED   | ZX   | 2020-12-11 |
| ENG APPR. | NPC  | 2020-12-11 |
| MFG APPR. |      |            |
|           | Q.A. |            |

CAD MAINTAINED. CHANGES SHALL BE INCORPORATED BY THE DESIGN ACTIVITY.

MAXTENA, INC

TITLE: 189-00046-01  
MEA-SW-700-3800

|      |              |     |
|------|--------------|-----|
| SIZE | DWG. NO.     | REV |
| B    | 117-00372-01 | A   |

CAGE CODE: 5KQH7      SCALE: NONE      SHEET 1 OF 1