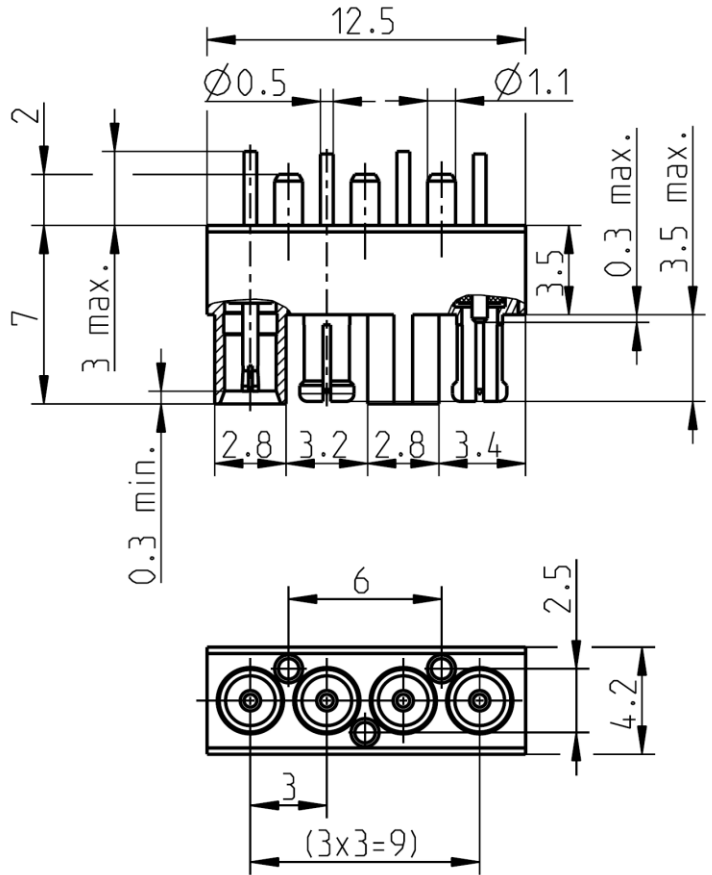
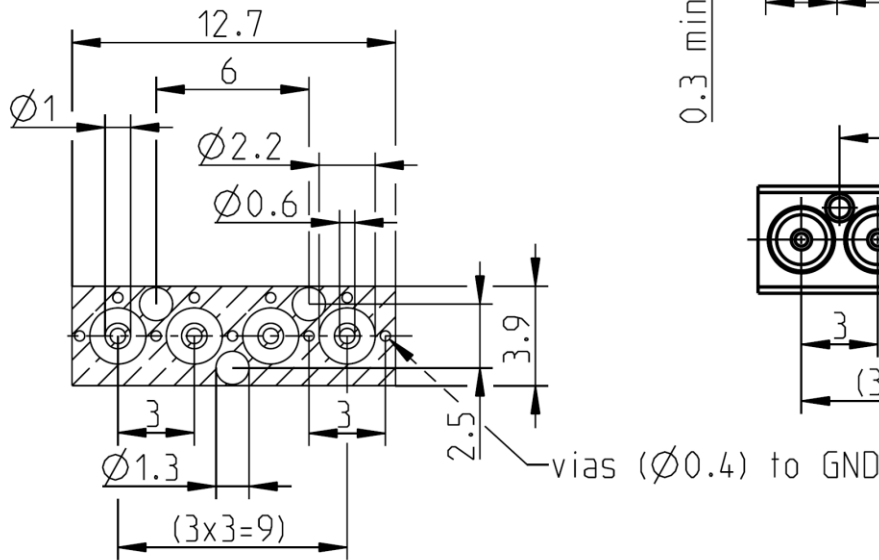




PCB Layout *



*A wide variety of transmissionline topologies and pcb-parameters like permittivity, substrate thickness, and board-stackup are applied by customers. These parameters have a strong impact on the high frequency performance of the mounted connector. Please note, that the given layout is not optimised to fit all of the possible board configurations regarding RF-performance, it represents a recommendation for optimum solderability of the connector. In order to guarantee optimum high frequency properties of the connector, an RF-analysis of the connector to board transition is recommended.

dimensions are in mm; tolerances according to ISO 2768 m-H

Documents

N/A

Material and plating

Connector parts

- Center contact
- Outer contact male
- Outer contact female
- Body
- Dielectric

Material

- CuBe or equiv.
- CuBe
- Spring bronze
- Brass
- PTFE

Plating

- AuroDur®, gold plated
- AuroDur®, gold plated
- AuroDur®, gold plated
- AuroDur®, gold plated

Dieses Dokument ist urheberrechtlich geschützt • This document is protected by copyright • Rosenberger Hochfrequenztechnik GmbH & Co. KG

RF_35/09.14/6.2

Technical Data Sheet**Rosenberger**

Mini-Coax

**4 CHANNEL BLOCK
STRAIGHT****MF2C117-40ML5-NM****Electrical data**

Impedance 50 Ω
 Frequency DC to 20 GHz
 Return loss ≥ 25 dB, DC to 2 GHz

Insertion loss ≤ 0.02 x √f(GHz) dB
 Insulation resistance ≥ 1 x10³ MΩ
 Center contact resistance ≤ 10 mΩ
 Outer contact resistance ≤ 3 mΩ
 Test voltage (at sea level) 750 V rms
 Working voltage (at sea level) 500 V rms
 RF-leakage ≥ 80 dB up to 1 GHz
 ≥ 60 dB up to 4 GHz

*- Connector only, Return loss in application depends decisive on PCB layout -***Mechanical data**

Mating cycles ≥ 500
 Engagement force max. 16 N typical 10 N
 Extraction force max. 24 N typical 21 N

Enviromental data

Temperature range - 40°C to +125°C
 Climatic class IEC 60068-2-1 40/85/21
 IEC 60068-2-2
 IEC 60068-2-3
 Mechanical shock IEC 60068-2-27 50G halfsinus, 2 shocks/axis during 11 sec.
 Max. soldering temperature IEC 61760-1, +260°C for 10 sec.
 2002/95/EC (RoHS) compliant
 MR capability non-magnetic

Tooling

N/A

Suitable cables

N/A

Packing

Standard 50 pcs in blister
 Weight 1.8 g/pce

While the information has been carefully compiled to the best of our knowledge, nothing is intended as representation or warranty on our part and no statement herein shall be construed as recommendation to infringe existing patents. In the effort to improve our products, we reserve the right to make changes judged to be necessary.

Draft	Date	Approved	Date	Rev.	Engineering change number	Name	Date
F. Michelmann	15.03.11	C. Kainzmaier	08.06.18	e00	18-0940	M. Margardt	08.06.18

Rosenberger Hochfrequenztechnik GmbH & Co. KG
 P.O.Box 1260 D-84526 Tittmoning Germany
www.rosenberger.de

Tel. : +49 8684 18-0
 Email : info@rosenberger.de

Page

2 / 2