



FS26

Safety System Basis Chip with Low Power for ASIL D / ASIL B
Rev. 2 — 1 June 2022 Product brief

1 About this document

This Product brief is intended to provide overview/summary information for the purpose of evaluating a product for design suitability. It is intended for quick reference only and should not be relied upon to contain detailed and full information.

Some of the content in this product brief is extracted from the product's full data sheet. In case of any inconsistency or conflict, the full data sheet shall prevail.

For detailed and full information, see the relevant FS26 full data sheet, available via the [NXP Secure Files content interface](#).



2 General description

Devices in the FS26 automotive safety System Basis Chip (SBC) family are designed to support entry and mid-range safety microcontrollers, like those in the S32K3 series. FS26 devices have multiple power supplies and the flexibility to work with other microcontrollers targeting automotive electrification. Possible FS26 applications include power train, chassis, safety and low-end gateway technology.

This family of devices consist of several versions that are pin to pin and software compatible. These versions support a wide range of applications with Automotive Safety Integrity Levels (ASIL) B or D, offering choices in number of output rails, output voltage settings, operating frequencies, power up sequencing, and integrated system level features.

The FS26 features multiple switch mode regulators and low dropout (LDO) voltage regulators to supply the microcontroller, sensors, peripheral ICs and communication interfaces. It offers a high precision reference voltage supply for the system, and for two independent tracking regulators. The FS26 also offers various functionality for system control and diagnostics, including an analog multiplexer, General Purpose Input/Outputs (GPIOs), and selectable wakeup events from I/O, long duration timer or Serial-Peripheral Interface (SPI) communication.

The FS26 is developed in compliance with the ISO26262 standard, and includes enhanced safety features with multiple fail-safe outputs. It uses the latest on-demand latent fault monitoring, and can be part of a safety-oriented system partitioning scheme covering both ASIL B and ASIL D safety integrity levels.

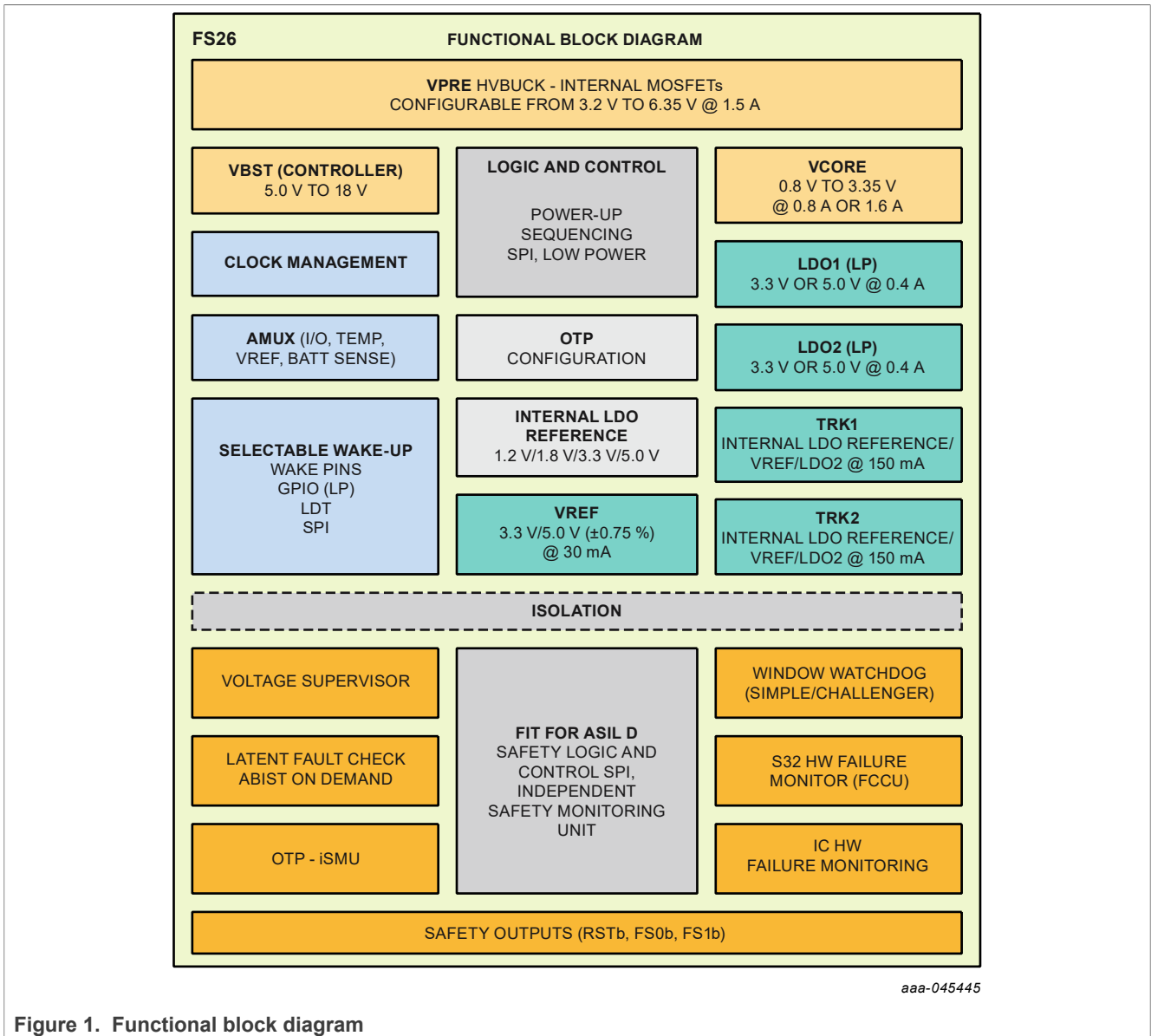


Figure 1. Functional block diagram

3 Features and benefits

Operating range

- 40 V DC maximum input voltage
- Support operating voltage range down to battery 3.2 V with VBST
- Support operating voltage range down to battery 6.0 V without VBST
- Low-power OFF mode with 30 μ A quiescent current
- Low-power Standby mode with 25 μ A quiescent current with VPRE active. LDO1 or LDO2 activation selectable via OTP configuration. GPIO1 or GPIO2 activation selectable via SPI communication.

Power supplies

- VPRE: synchronous buck converter with integrated FETs. Configurable output voltage and switching frequency, output DC current capability up to 1.5 A and PFM mode for Low-power Standby mode operation.
- VCORE: synchronous buck converter with integrated FETs. VCORE is dedicated for microcontroller core supply. Output DC current up to 0.8 A or 1.6 A (depending on part number), output voltage range setting from 0.8 V to 3.35 V.
- VBST: asynchronous boost controller with external low side switch, diode and current sense resistor. VBST is configurable as front-end supply to withstand low voltage cranking profiles or in back-end supply with configurable output voltage and scalable output DC current capability.
- LDO1: LDO regulator for microcontroller I/O support with selectable output voltage between 3.3 V and 5.0 V and up to 400 mA current capability.
- LDO2: LDO regulator for system peripheral support with selectable output voltage between 3.3 V and 5.0 V and up to 400 mA current capability.
- VREF: High precision reference voltage with 0.75 % accuracy for external ADC reference and internal tracking reference.
- TRK1 and TRK2: Voltage tracking regulators with selectable output voltage between VREF, LDO2 or Internal LDO reference. Support high-voltage protection for ECU off board operation. Each tracker has a current capability up to 150 mA.

System support

- Two wake-up inputs with high-voltage support for system robustness
- Two programmable GPIO with Wake-up capability or HS/LS driver
- Programmable Long Duration Timer (LDT) for system shutdown and wake-up control
- Monitoring of system voltages (including battery voltage monitoring) through the Analog Multiplexer
- Selectable wake-up sources from: WAKE/GPIO pins, LDT or SPI activity
- Device control via 32 bits SPI interface with Cyclic Redundancy Checks (CRC)

Compliance

- Electromagnetic Compatibility (EMC) optimization techniques for switching regulators, including spread spectrum, slew rate control and manual frequency tuning
- Electromagnetic Interference (EMI) robustness supporting various automotive EMI test standards

Functional Safety

- Scalable portfolio from Automotive Safety Integrity Levels (ASIL) B to D

- Independent monitoring circuitry, dedicated interface for microcontroller monitoring, simple and challenger watchdog function
- Analog Built-In Self-Test (ABIST) and Logical Built-In Self-Test (LBIST) at start-up
- Analog Built-In Self-Test (ABIST) on demand
- Safety outputs with latent fault detection mechanism (RSTB, FS0B, FS1B)

Configuration and enablement

- LQFP48 pins with exposed pad for optimized thermal management
- Permanent device customization via One-Time-Programming (OTP) fuse memory
- OTP emulation mode for system development and evaluation
- Debug mode for software development, MCU programming, and debugging

4 Applications

xEV and Powertrain market

- Inverter
- On-board charger (OBC)
- Battery Management System (BMS)
- Belt Starter Generator (BSG)

Body Market

- Gateway
- Zonal control
- Body Controller
- Smart Junction Box

Safety and Chassis

- Suspension
- Power Steering

MCU Attach

- NXP S32K3 family
- Infineon AURIX family (TC2xx and TC3xx)
- Renesas RH850 family
- Cypress Traveo family

5 Ordering information

This section describes the part numbers available for purchase, with their main differences. It also depicts how the part number reference is built.

5.1 Part number definition

Figure 2 shows how the FS26xyz part number is used to describe the available feature set of each device.

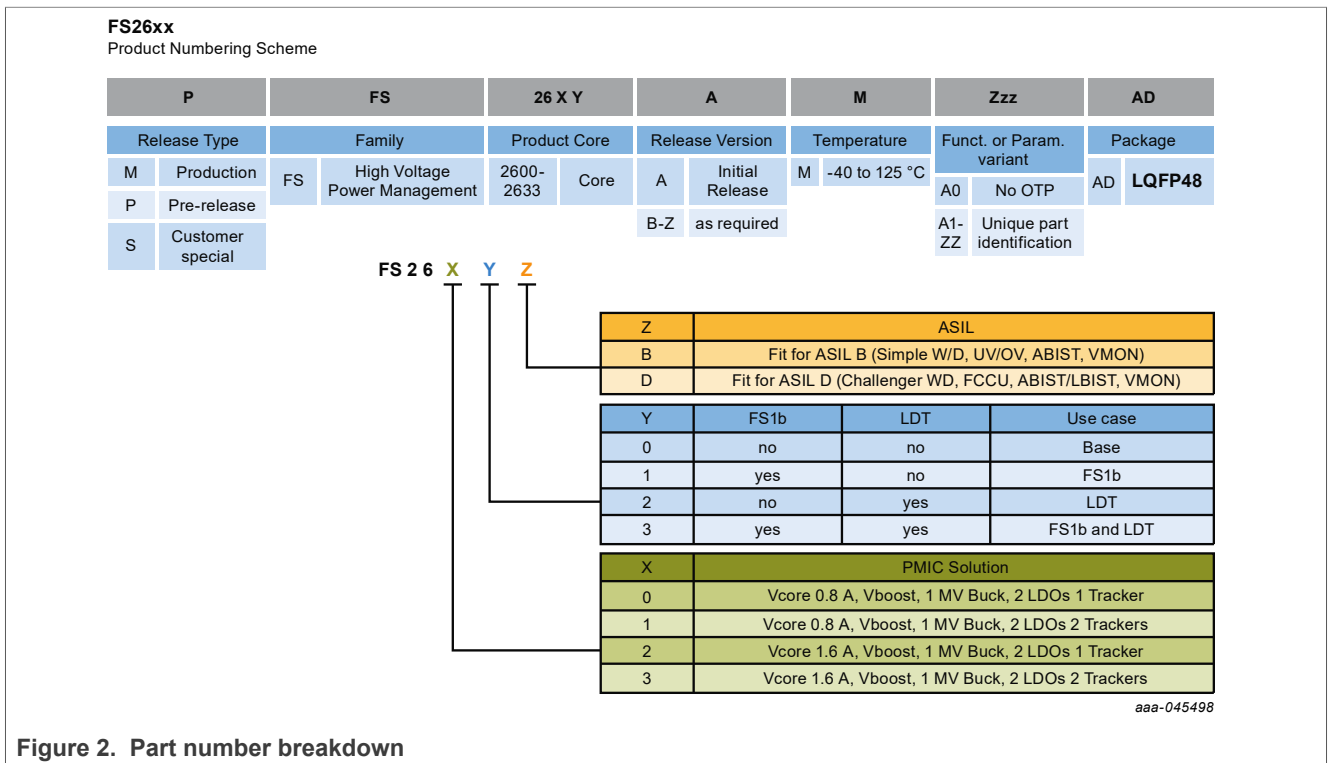


Figure 2. Part number breakdown

Figure 3 maps FS26 part numbers vs. product feature sets.

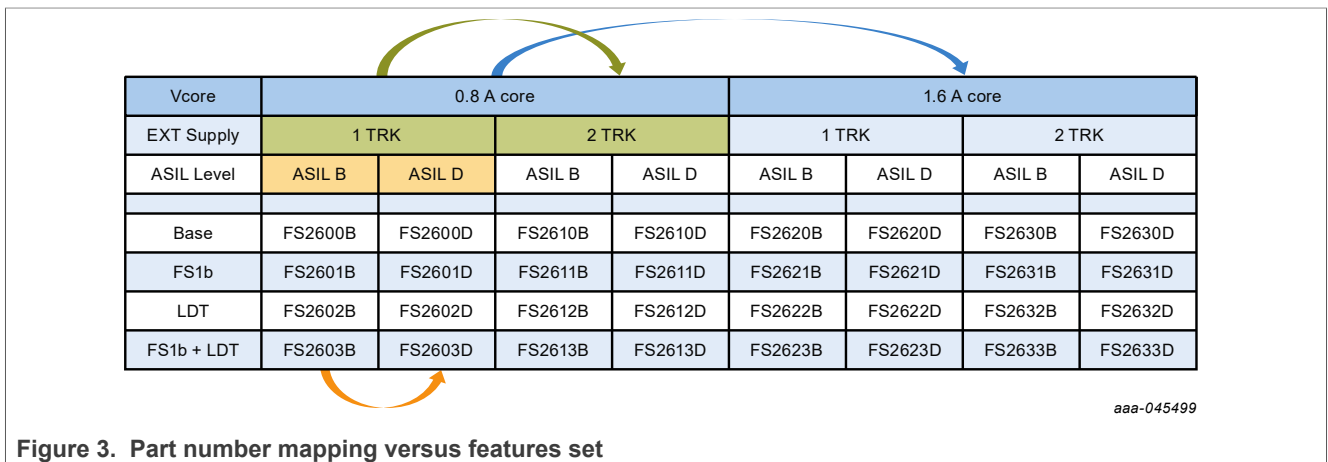


Figure 3. Part number mapping versus features set

5.2 Part number list

Table 1. Device segmentation

Part Number	DEV_ID	Tracker 2	Core Current Capability	Long Duration Timer	Tracker 2 Monitoring	FS1B	ABIST on demand	Watchdog Type	Fault Recovery	FCCU Monitoring	LBIST
FS2600B	0x01	NO	0.8 A	NO	NO	NO	YES	Simple	NO	Optional	NO
FS2601B	0x02	NO	0.8 A	NO	NO	YES	YES	Simple	NO	Optional	NO
FS2602B	0x03	NO	0.8 A	YES	NO	NO	YES	Simple	NO	Optional	NO
FS2603B	0x04	NO	0.8 A	YES	NO	YES	YES	Simple	NO	Optional	NO
FS2600D	0x05	NO	0.8 A	NO	NO	NO	YES	Challenger	YES	YES	YES
FS2601D	0x06	NO	0.8 A	NO	NO	YES	YES	Challenger	YES	YES	YES
FS2602D	0x07	NO	0.8 A	YES	NO	NO	YES	Challenger	YES	YES	YES
FS2603D	0x08	NO	0.8 A	YES	NO	YES	YES	Challenger	YES	YES	YES
FS2610B	0x09	YES	0.8 A	NO	YES	NO	YES	Simple	NO	Optional	NO
FS2611B	0x0A	YES	0.8 A	NO	YES	YES	YES	Simple	NO	Optional	NO
FS2612B	0x0B	YES	0.8 A	YES	YES	NO	YES	Simple	NO	Optional	NO
FS2613B	0x0C	YES	0.8 A	YES	YES	YES	YES	Simple	NO	Optional	NO
FS2610D	0x0D	YES	0.8 A	NO	YES	NO	YES	Challenger	YES	YES	YES
FS2611D	0x0E	YES	0.8 A	NO	YES	YES	YES	Challenger	YES	YES	YES
FS2612D	0x0F	YES	0.8 A	YES	YES	NO	YES	Challenger	YES	YES	YES
FS2613D	0x10	YES	0.8 A	YES	YES	YES	YES	Challenger	YES	YES	YES
FS2620B	0x11	NO	1.6 A	NO	NO	NO	YES	Simple	NO	Optional	NO
FS2621B	0x12	NO	1.6 A	NO	NO	YES	YES	Simple	NO	Optional	NO
FS2622B	0x13	NO	1.6 A	YES	NO	NO	YES	Simple	NO	Optional	NO
FS2623B	0x14	NO	1.6 A	YES	NO	YES	YES	Simple	NO	Optional	NO
FS2620D	0x15	NO	1.6 A	NO	NO	NO	YES	Challenger	YES	YES	YES
FS2621D	0x16	NO	1.6 A	NO	NO	YES	YES	Challenger	YES	YES	YES
FS2622D	0x17	NO	1.6 A	YES	NO	NO	YES	Challenger	YES	YES	YES
FS2623D	0x18	NO	1.6 A	YES	NO	YES	YES	Challenger	YES	YES	YES
FS2630B	0x19	YES	1.6 A	NO	YES	NO	YES	Simple	NO	Optional	NO
FS2631B	0x1A	YES	1.6 A	NO	YES	YES	YES	Simple	NO	Optional	NO
FS2632B	0x1B	YES	1.6 A	YES	YES	NO	YES	Simple	NO	Optional	NO
FS2633B	0x1C	YES	1.6 A	YES	YES	YES	YES	Simple	NO	Optional	NO
FS2630D	0x1D	YES	1.6 A	NO	YES	NO	YES	Challenger	YES	YES	YES
FS2631D	0x1E	YES	1.6 A	NO	YES	YES	YES	Challenger	YES	YES	YES
FS2632D	0x1F	YES	1.6 A	YES	YES	NO	YES	Challenger	YES	YES	YES
FS2633D	0x20	YES	1.6 A	YES	YES	YES	YES	Challenger	YES	YES	YES

Additional part numbers will exist with different features and parametric settings. [Table 1](#) is an example of a part number list.

Table 2. Orderable part numbers

PartNumber	Description	Package
MFS2613AMDA2AD	S32K3 + FS26 EVB ASIL D S32K3X4EVB-x257	LQFP48
MFS2613AMDA3AD	S32K344 HVBMS Reference design	
MFS2613AMDA4AD	S32K3 Body Control Module Reference design (white board)	
MFS2613AMDA6AD	S32K34448 V MC Development platform	
MFS2621AMDABAD	Aurix TC38, TC29	
MFS2613AMDDCAD	S32K3245G T-BOX + Gateway	
MFS2630AMDA0AD	Superset covering FS2630D devices	
MFS2630AMBA0AD	Superset covering FS2630B devices	
MFS2603AMBA0AD	Superset covering FS2603B devices	
MFS2603AMDA0AD	Superset covering FS2603D devices	
MFS2613AMBA0AD	Superset covering FS2613B devices	
MFS2613AMDA0AD	Superset covering FS2613D devices	
MFS2623AMBA0AD	Superset covering FS2623B devices	
MFS2623AMDA0AD	Superset covering FS2623D devices	
MFS2633AMBA0AD	Superset covering FS2633B devices	
MFS2633AMDA0AD	Superset covering FS2633D devices	

Empty OTP samples can be ordered for engineering purposes using part number **PFS2630AMDA0AD**. Refer to the associated OTP configuration report in the website product page.

6 Simplified application diagram

Figure 4 shows a simplified block diagram for a typical system with an FS26, using the boost controller to support battery cold-crank events.

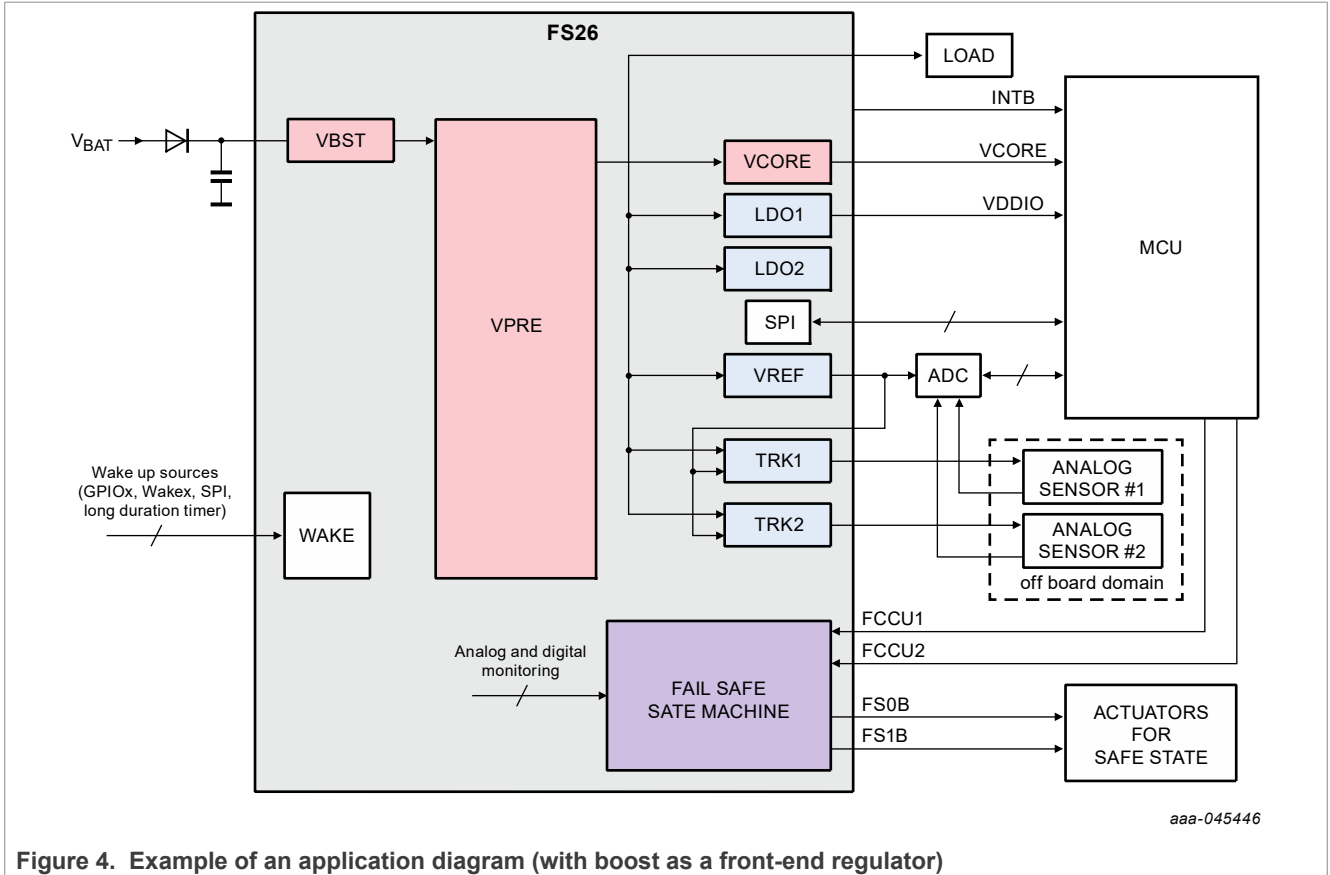


Figure 4. Example of an application diagram (with boost as a front-end regulator)

Figure 5 shows a simplified block diagram for a typical system with an FS26, using the boost controller to generate a voltage above the high voltage buck output voltage.

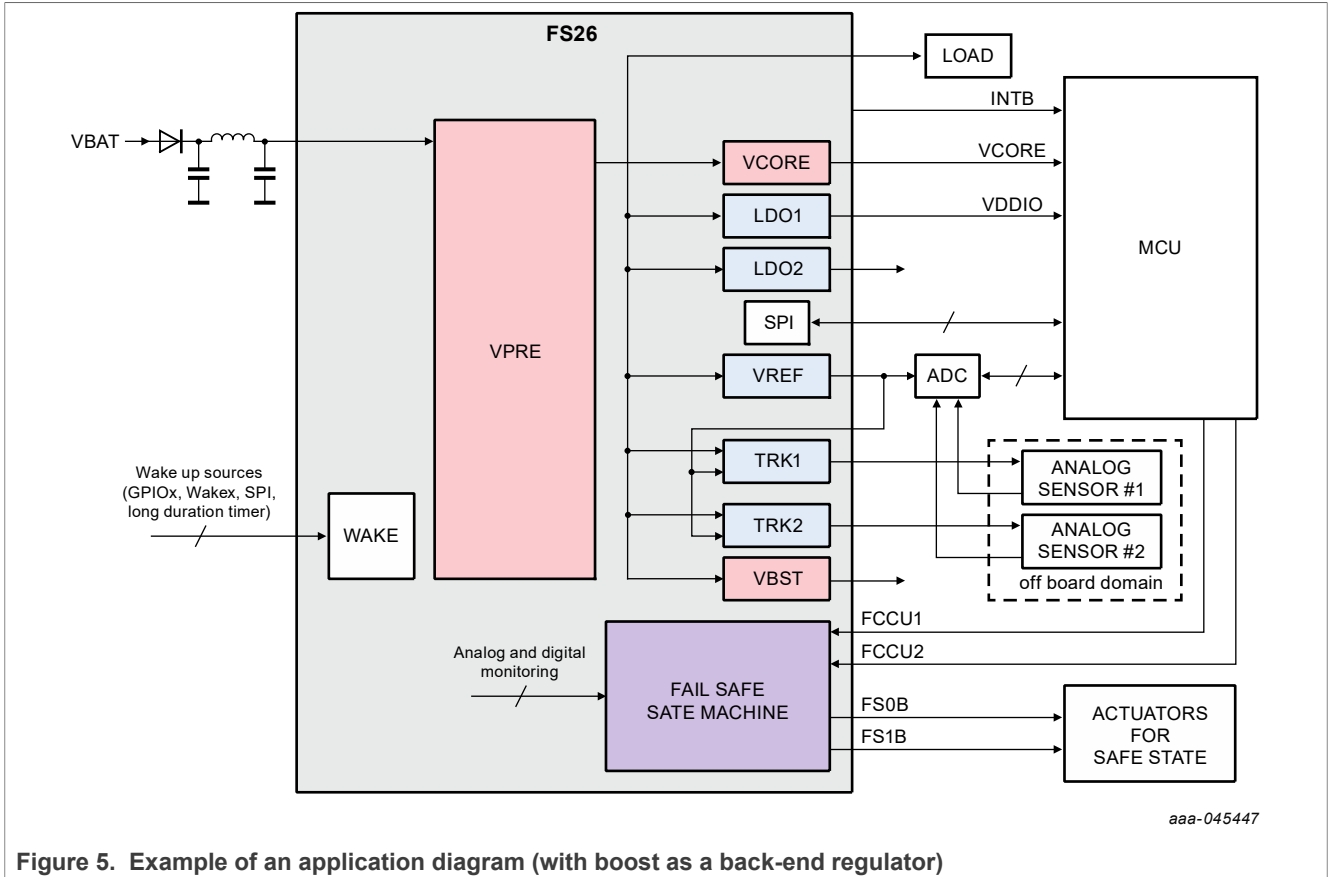


Figure 5. Example of an application diagram (with boost as a back-end regulator)

7 Block diagram

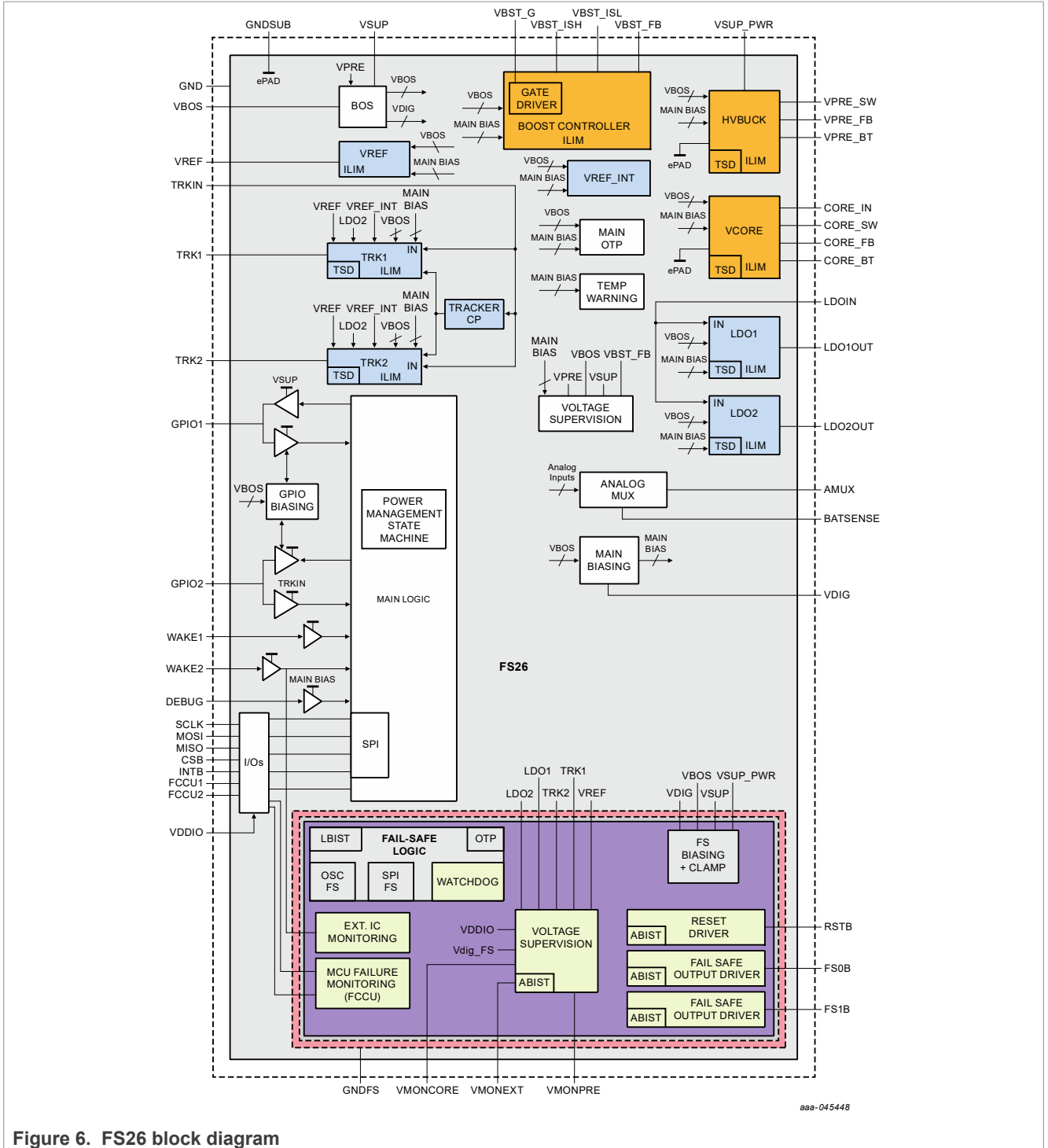


Figure 6. FS26 block diagram

8 Pinning Information

8.1 Pinning

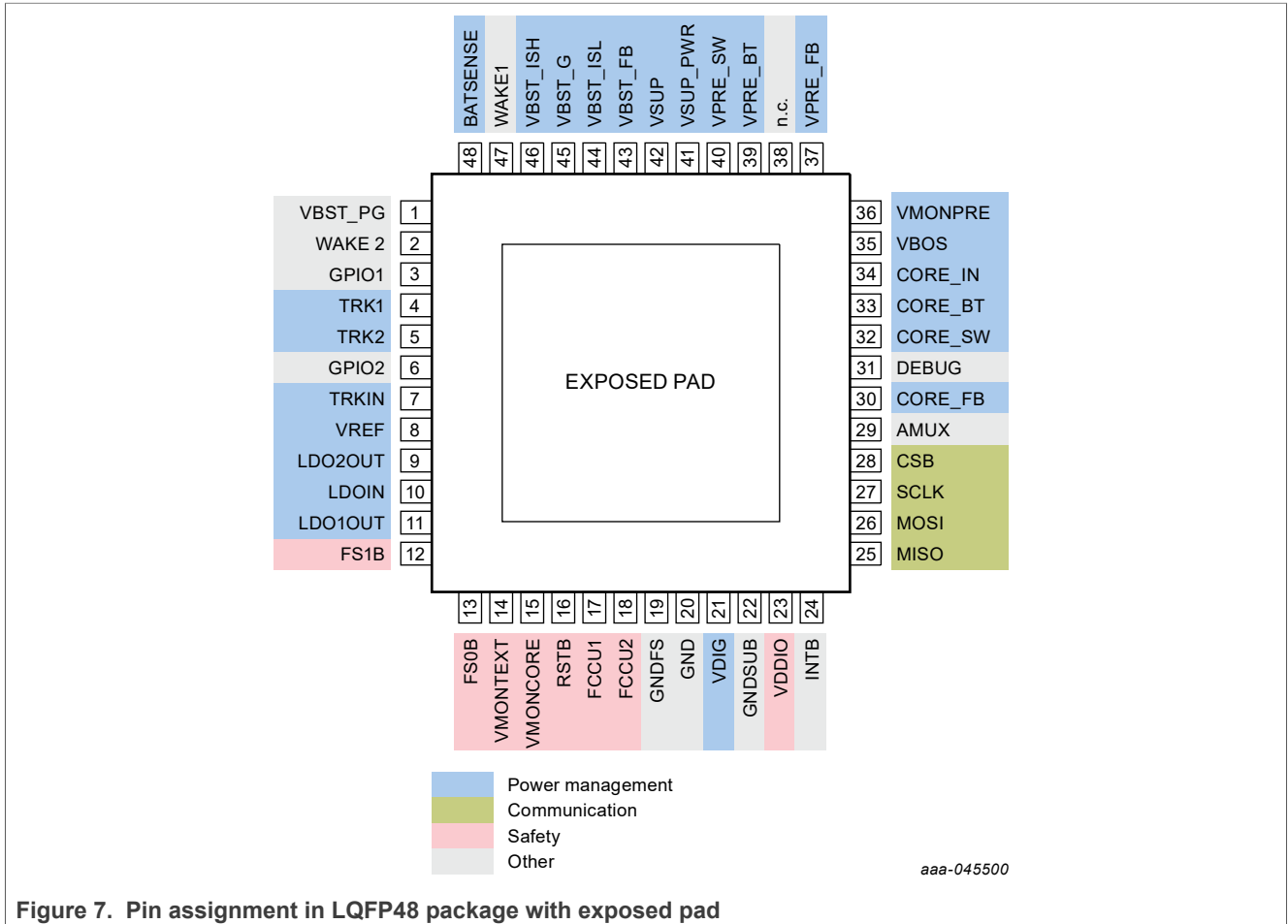


Figure 7. Pin assignment in LQFP48 package with exposed pad

8.2 Pin descriptions

Table 3. Pin descriptions

Symbol	Pin number	Type	Description
VBST_PG	1	Digital output	Power Good signal for boost controller
WAKE2	2	Analog input	WAKE2 input pin or ERROR monitoring input
GPIO1	3	Analog output / Digital Input	General Purpose I/O 1
TRK1	4	Analog output	TRK1 output
TRK2	5	Analog output	TRK2 output
GPIO2	6	Analog output / Digital Input	General Purpose I/O 2
TRKIN	7	Analog input	Tracker Input
VREF	8	Analog output	Voltage reference output
LDO2OUT	9	Analog output	LDO2 output
LDOIN	10	Analog input	LDO input voltage supply
LDO1OUT	11	Analog output	LDO1 output
FS1B	12	Digital output	Safety output #1

Table 3. Pin descriptions...continued

Symbol	Pin number	Type	Description
FS0B	13	Digital output	Safety output #0
VMONEXT	14	Analog input	External voltage monitoring input
VMONCORE	15	Analog input	VCORE voltage monitoring input
RSTB	16	Digital output	Reset output
FCCU1	17	Digital input	Fault Control Collection Unit 1
FCCU2	18	Digital input	Fault Control Collection Unit 2
GNDFS	19	Ground connection	GND for fail-safe circuitry
GND	20	Ground connection	GND for main circuitry
VDIG	21	Analog output	1.6 V digital supply
GNDSUB	22	Ground connection	Substrate ground
VDDIO	23	Analog input	I/O input supply
INTB	24	Digital output	Interrupt output
MISO	25	Digital output	SPI Primary In Secondary out
MOSI	26	Digital input	SPI Primary Out Secondary input
SCLK	27	Digital input	SPI clock input
CSB	28	Digital input	SPI chip select
AMUX	29	Analog output	Analog Multiplexer output
CORE_FB	30	Analog input	VCORE feedback node
DEBUG	31	Digital input	DEBUG input pin
CORE_SW	32	Analog output	VCORE switching node
CORE_BT	33	Analog input	VCORE bootstrap supply
CORE_IN	34	Analog input	VCORE input supply
VBOS	35	Analog output	Best Of Supply decoupling output
VMON_PRE	36	Analog input	VPRE monitoring pin
VPRE_FB	37	Analog input	VPRE feedback node
NC	38	Not connected pin	Not connected pin
VPRE_BT	39	Analog output	VPRE boot strap capacitor
VPRE_SW	40	Analog output	VPRE switching node
VSUP_PWR	41	Analog input	VPRE converter supply pin
VSUP	42	Analog input	Supply pin for internal biasing
VBST_FB	43	Analog input	VBST feedback node
VBST_ISL	44	Analog input	VBST current sense low
VBST_G	45	Analog output	VBST low-side gate drive
VBST_ISH	46	Analog input	VBST current sense high
WAKE1	47	Analog input	WAKE1 input pin
BATSENSE	48	Analog input	Battery sense terminal
EP	49	Ground connection	Exposed pad (to be connected to GND)

9 Maximum ratings

Table 4. Maximum ratings

All voltages are with respect to ground, unless otherwise noted. Exceeding these ratings may cause a malfunction or permanent damage to the device.

Symbol	Description (Rating)	Min	Max	Unit
Voltage ratings				
VPRE_BT	DC voltage at VPRE_BT pin	-0.3	45.5	V
GPIO1, GPIO2, FS1B, FS0B, VMONEXT, VMONCORE, VMONPRE, WAKE1, WAKE2, VPRE_SW, VBST_FB	DC voltage at GPIO1, GPIO2, FS1B, FS0B, VMONEXT, VMONCORE, VMONPRE, WAKE1, WAKE2, VPRE_SW, VBST_FB pins	-0.3	40	V
BATSENSE	DC voltage at BATSENSE pin with -10 mA maximum reverse current (recommended 5.1 kΩ serial resistor)	-18.0	40	V
TRK1, TRK2, VSUP, VSUP_PWR	DC voltage at TRK1, TRK2, VSUP_PWR, VSUP pins	-1.2	40	V
CORE_BT	DC voltage at CORE_BT pin	-0.3	12.5	V
DEBUG	DC voltage at DEBUG pin	-0.3	10	V
TRKIN, LDOIN, CORE_IN, VPRE_FB, CORE_SW	DC voltage at TRKIN, LDOIN, CORE_IN, VPRE_FB, CORE_SW pins	-0.3	7	V
VBOS	DC voltage at VBOS pin	-0.3	5.6	V
VREF, LDO2OUT, LDO1OUT, RSTB, FCCU1, FCCU2, VDDIO, INTB, MISO, MOSI, SCLK, CSB, AMUX, CORE_FB, VBST_ISH, VBST_ISL, VBST_G, VBST_PG	DC voltage at VREF, LDO2OUT, LDO1OUT, RSTB, FCCU1, FCCU2, VDDIO, INTB, MISO, MOSI, SCLK, CSB, AMUX, CORE_FB, VBST_ISH, VBST_ISL, VBST_G and VBST_PG pins	-0.3	5.5	V
VDIG	DC voltage at VDIG pin	-0.3	2	V
GNDIFS, GND, GNDSUB, EPAD	DC voltage at GNDIFS, GND, GNDSUB pins and Exposed PAD (EPAD)	-0.3	0.3	V
WAKE1, WAKE2, GPIO1, GPIO2	DC maximum reverse current at WAKE1, WAKE2, GPIO1, GPIO2 pins	-5	—	mA

10 Electrostatic discharge

Table 5. ESD

Exceeding these ratings may cause a malfunction or permanent damage to the device.

Symbol	Description (Rating)	Min	Max	Unit
ESD ratings				
Human body model: AEC-Q-100 Rev H.				
V_{ESD_HBM}	All pins	-2.0	2.0	kV
Charged device model: AEC-Q-100 Rev H				
V_{ESD_CDM1}	All pins	-500	500	V
V_{ESD_CDM2}	Corner pins	-750	750	V
Gun Test				
V_{ESD_CDT1}	ESD - GUN discharged contact test 330 Ω /150 pF unpowered according to IEC61000-4-2 Global pins (VSUP_PWR, VSUP, FS0B, FS1B, TRK1, TRK2, GPIO1, GPIO2, WAKE1, WAKE2)	-8	8	kV
V_{ESD_CDT2}	ESD - GUN discharged contact test 2 k Ω /150 pF unpowered according to ISO10605.2008 Global pins (VSUP_PWR, VSUP, FS0B, FS1B, TRK1, TRK2, GPIO1, GPIO2, WAKE1, WAKE2)	-8	8	kV
V_{ESD_CDT3}	ESD - GUN discharged contact test 2 k Ω /330 pF powered according to ISO10605.2008 Global pins (VSUP_PWR, VSUP, FS0B, FS1B, TRK1, TRK2, GPIO1, GPIO2, WAKE1, WAKE2)	-8	8	kV
V_{ESD_CDT4}	ESD - GUN discharged contact test 330 Ω /150 pF powered according to ISO10605.2008 Global pins (VSUP_PWR, VSUP, FS0B, FS1B, TRK1, TRK2, GPIO1, GPIO2, WAKE1, WAKE2)	-8	8	kV
V_{ESD_CDT5}	Operating ESD- GUN discharged contact test 330 Ω /150 pF powered according to ISO10605.2008 Global pins (GND, BATSENSE, FS0B, FS1B). Criteria: CLASS A	-8	8	kV

11 Thermal ratings

Table 6. Temperatures ranges

Symbol	Description	Min	Typ	Max	Unit
T_A	Ambient temperature	-40	—	125	°C
T_J	Junction temperature	-40	—	150	°C
T_{STG}	Storage temperature	-55	—	150	°C
T_{WARN}	Temperature warning threshold to set TWARN_S SPI bit	145	155	170	°C

Table 7. Thermal resistance (per JEDEC JESD51-2)

Symbol	Description	Value	Unit
$R_{\theta JA}$	Thermal resistance Junction to Ambient ^[1]	25	°C/W
$R_{\theta JCBOTTOM}$	Thermal resistance Junction to Case Bottom (with uniformed power on the silicon die) ^{[2][3]}	1.7	°C/W
$R_{\theta JCTOP}$	Thermal resistance Junction to Case Top ^[3]	13.5	°C/W
Ψ_{JT}	Thermal characterization parameter Junction to Top ^{[4] [1]}	0.8	°C/W

- [1] Determined in accordance to JEDEC JESD51-2A natural convection environment. Thermal resistance data in this report is solely for a thermal performance comparison of one package to another in a standardized specified environment. It is not meant to predict the performance of a package in an application-specific environment.
- [2] Thermal resistance between the die and the printed circuit board. Board temperature is measured on the top surface of the board near the package.
- [3] For exposed pad packages where the pad would be expected to be soldered, junction to case thermal resistance is a simulated value from the junction to the exposed pad without contact resistance.
- [4] Thermal test board meets JEDEC specification for this package (JESD51-7).

12 Packaging

12.1 Package mechanical dimensions

Package dimensions are provided in package drawings. To find the most current package outline drawing, go to www.nxp.com and perform a keyword search for the drawing's document number.

Table 8. Package mechanical dimensions

Package	Suffix	Package outline drawing number
7.0 × 7.0, 48-Pin LQFP exposed pad, with 0.5 mm pitch, and a 4.5 × 4.5 exposed pad	AE	98ASA00945D

12.2 Package outline

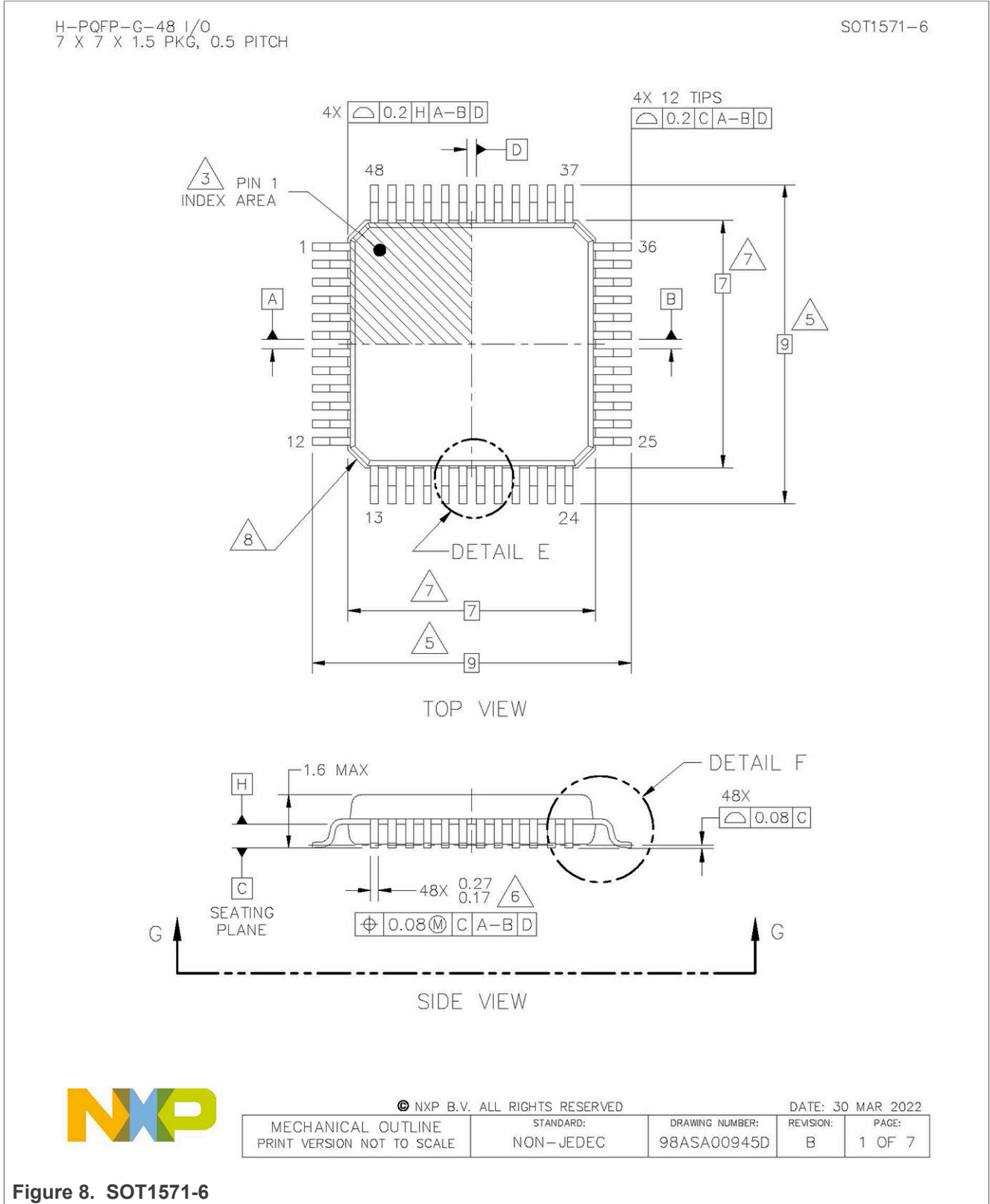


Figure 8. SOT1571-6

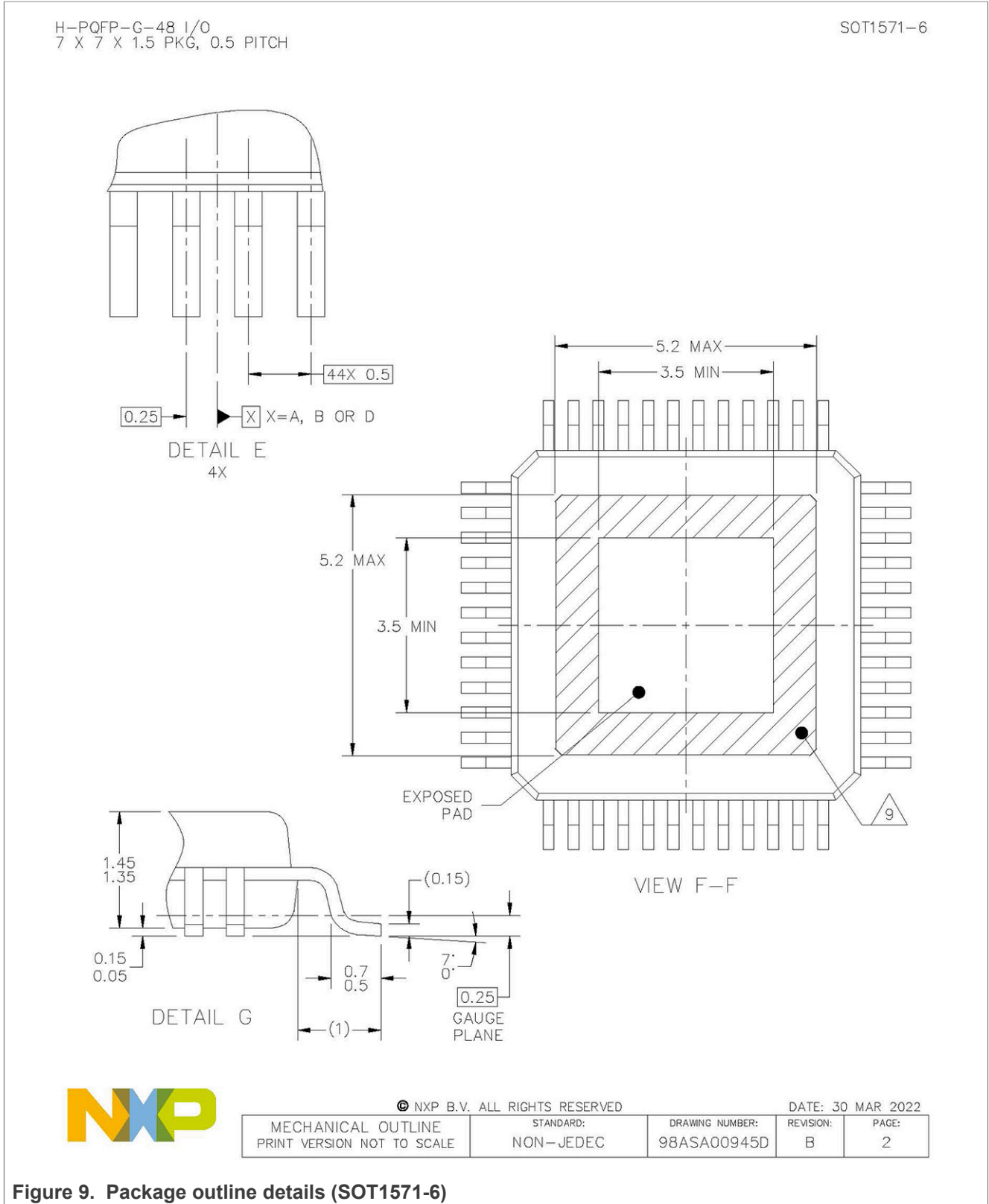


Figure 9. Package outline details (SOT1571-6)

H-PQFP-G-48 I/O
7 X 7 X 1.5 PKG, 0.5 PITCH

SOT1571-6

NOTES:

1. DIMENSIONS ARE IN MILLIMETERS.
2. DIMENSIONING AND TOLERANCING PER ASME Y14.5M-1994.
3. PIN 1 FEATURE SHAPE, SIZE AND LOCATION MAY VARY.
4. DATUMS A, B AND D TO BE DETERMINED AT DATUM PLANE H.
5. DIMENSION TO BE DETERMINED AT SEATING PLANE C.
6. THIS DIMENSION DOES NOT INCLUDE DAMBAR PROTRUSION. ALLOWABLE DAMBAR PROTRUSION SHALL NOT CAUSE THE LEAD WIDTH TO EXCEED THE UPPER LIMIT BY MORE THAN 0.08MM AT MAXIMUM MATERIAL CONDITION. DAMBAR CANNOT BE LOCATED ON THE LOWER RADIUS OR THE FOOT. MINIMUM SPACE BETWEEN PROTRUSION AND ADJACENT LEAD SHALL NOT BE LESS THAN 0.07MM.
7. THIS DIMENSION DOES NOT INCLUDE MOLD PROTRUSION. ALLOWABLE PROTRUSION IS 0.25MM PER SIDE. THIS DIMENSION IS MAXIMUM PLASTIC BODY SIZE DIMENSION INCLUDING MOLD MISMATCH.
8. EXACT SHAPE OF EACH CORNER IS OPTIONAL.
9. HATCHED AREA REPRESENTS POSSIBLE MOLD FLASH ON EXPOSED PAD.
10. KEEP OUT ZONE REPRESENTS AREA ON PCB THAT MUST NOT HAVE ANY EXPOSED METAL (TRACE/VIA) FOR PCB ROUTING DUE TO THE POSSIBILITY OF SHORTING TO TIE BAR/EXPOSED PAD.



© NXP B.V. ALL RIGHTS RESERVED

DATE: 30 MAR 2022

MECHANICAL OUTLINE PRINT VERSION NOT TO SCALE	STANDARD: NON-JEDEC	DRAWING NUMBER: 98ASA00945D	REVISION: B	PAGE: 6
--	------------------------	--------------------------------	----------------	------------

Figure 10. Package outline notes (SOT1571-6)

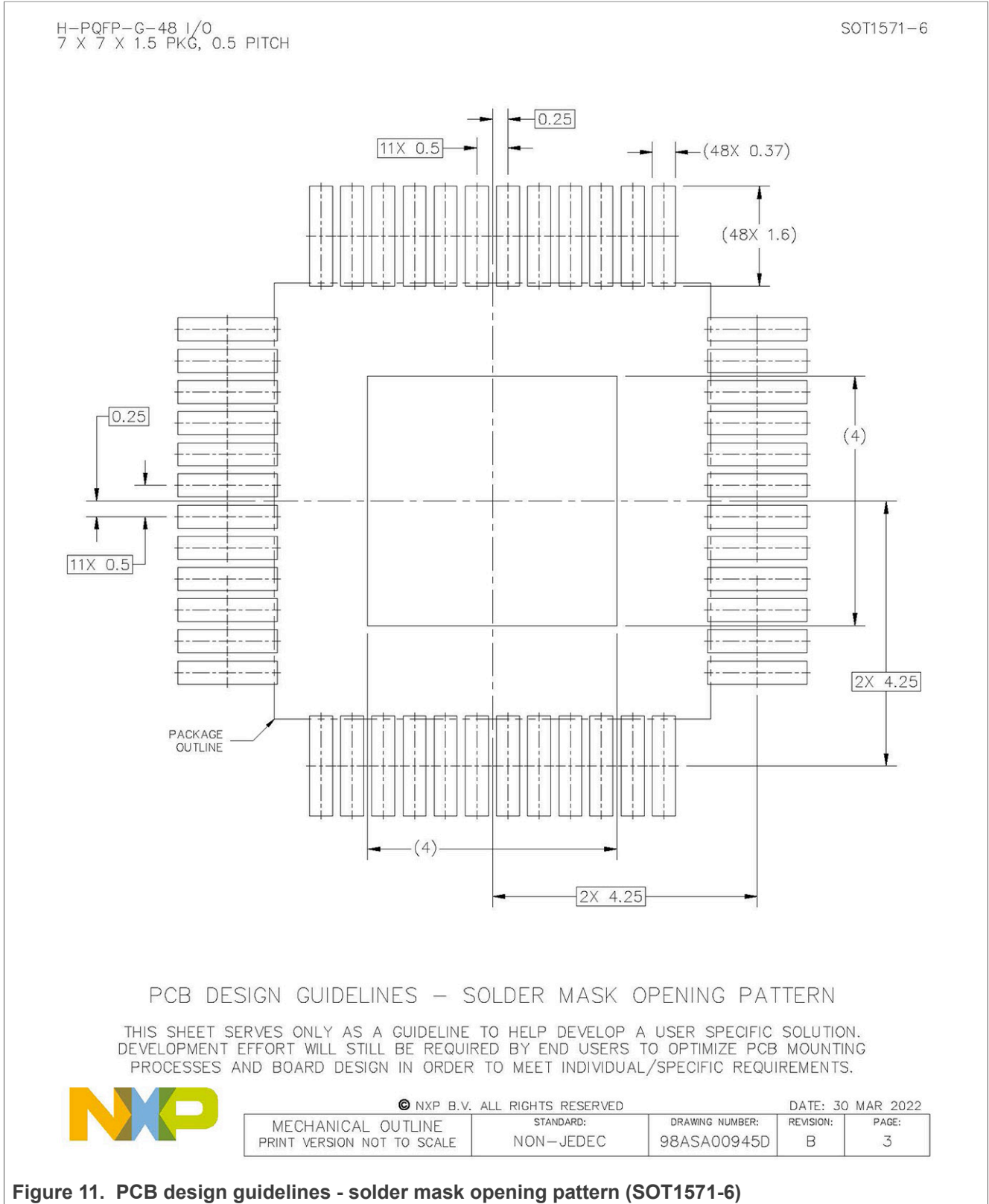


Figure 11. PCB design guidelines - solder mask opening pattern (SOT1571-6)

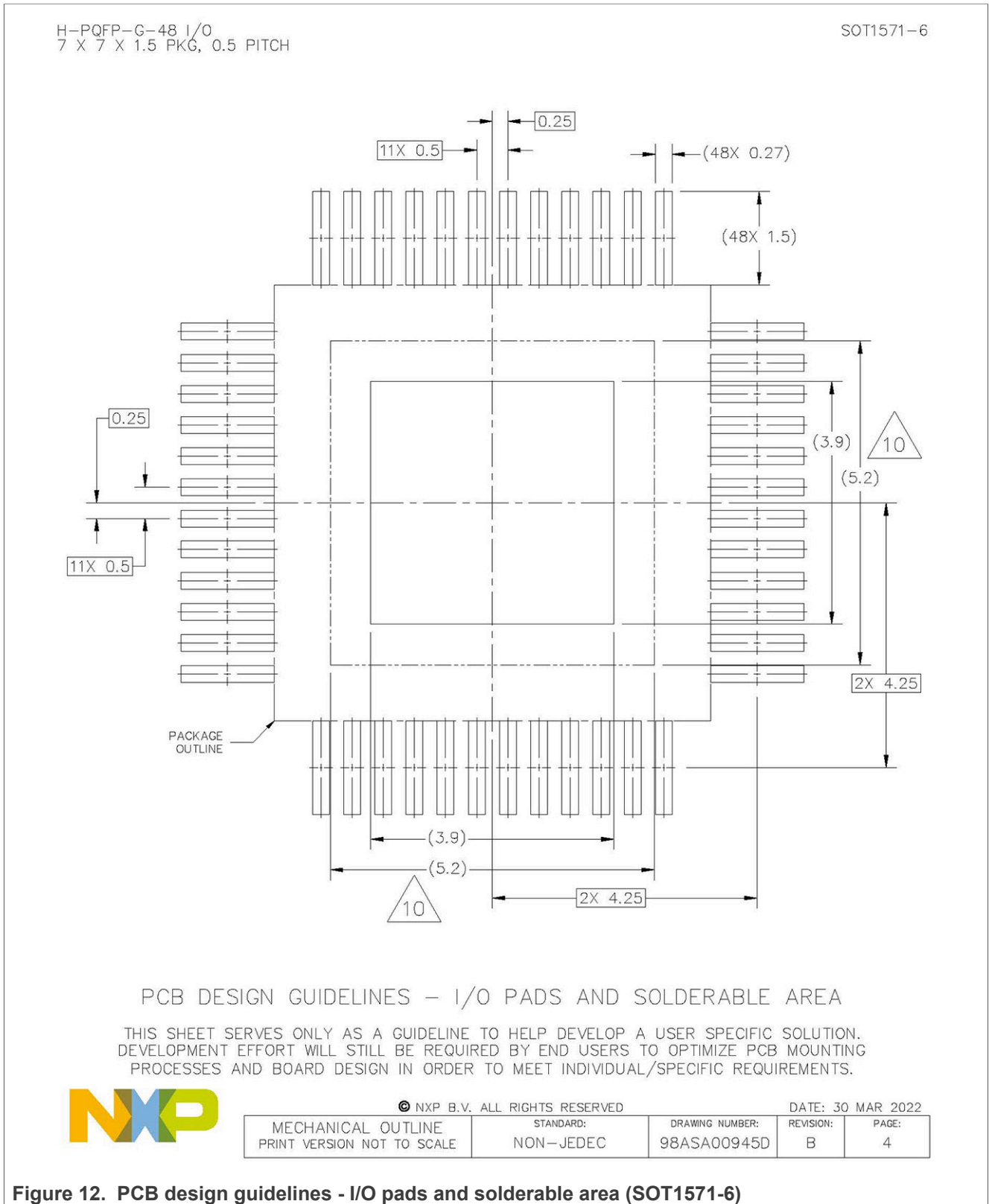


Figure 12. PCB design guidelines - I/O pads and solderable area (SOT1571-6)

13 References

Table 9. References

Documents, Tools, Enablement	URL
FS26 Functional Safety Manual	https://www.nxp.com/mynxp/secure-files
FS26 Dynamic FMEDA	https://www.nxp.com/mynxp/secure-files
AN12995 - FS26 Product Guidelines	https://www.nxp.com/mynxp/secure-files
FS26_SMPS_Calculator.xls	https://www.nxp.com/mynxp/secure-files
FS26 SMPS Simplis models	https://www.nxp.com/mynxp/secure-files
FS26 Graphical User Interface <ul style="list-style-type: none"> • To calculate the power dissipation • To create an OTP configuration • To interface an EVB KIT with a computer 	https://www.nxp.com/mynxp/secure-files
FS26 Product Overview	https://www.nxp.com/products/power-management/pmics-and-sbcs/safety-sbcs/safety-system-basis-chip-sbc-with-low-power-fit-for-asil-d:FS26
KITFS26AEEVM: FS26 Evaluation Board	https://www.nxp.com/products/power-management/pmics-and-sbcs/safety-sbcs/fs26-safety-sbc-evaluation-board:KITFS26AEEVM
KITFS26SKTEVM: FS26 Socket Board	https://www.nxp.com/products/power-management/pmics-and-sbcs/safety-sbcs/fs26-safety-sbc-programming-socket-board:KITFS26SKTEVM

14 Legal information

14.1 Definitions

Draft — A draft status on a document indicates that the content is still under internal review and subject to formal approval, which may result in modifications or additions. NXP Semiconductors does not give any representations or warranties as to the accuracy or completeness of information included in a draft version of a document and shall have no liability for the consequences of use of such information.

14.2 Disclaimers

Limited warranty and liability — Information in this document is believed to be accurate and reliable. However, NXP Semiconductors does not give any representations or warranties, expressed or implied, as to the accuracy or completeness of such information and shall have no liability for the consequences of use of such information. NXP Semiconductors takes no responsibility for the content in this document if provided by an information source outside of NXP Semiconductors.

In no event shall NXP Semiconductors be liable for any indirect, incidental, punitive, special or consequential damages (including - without limitation - lost profits, lost savings, business interruption, costs related to the removal or replacement of any products or rework charges) whether or not such damages are based on tort (including negligence), warranty, breach of contract or any other legal theory.

Notwithstanding any damages that customer might incur for any reason whatsoever, NXP Semiconductors' aggregate and cumulative liability towards customer for the products described herein shall be limited in accordance with the Terms and conditions of commercial sale of NXP Semiconductors.

Right to make changes — NXP Semiconductors reserves the right to make changes to information published in this document, including without limitation specifications and product descriptions, at any time and without notice. This document supersedes and replaces all information supplied prior to the publication hereof.

Applications — Applications that are described herein for any of these products are for illustrative purposes only. NXP Semiconductors makes no representation or warranty that such applications will be suitable for the specified use without further testing or modification.

Customers are responsible for the design and operation of their applications and products using NXP Semiconductors products, and NXP Semiconductors accepts no liability for any assistance with applications or customer product design. It is customer's sole responsibility to determine whether the NXP Semiconductors product is suitable and fit for the customer's applications and products planned, as well as for the planned application and use of customer's third party customer(s). Customers should provide appropriate design and operating safeguards to minimize the risks associated with their applications and products.

NXP Semiconductors does not accept any liability related to any default, damage, costs or problem which is based on any weakness or default in the customer's applications or products, or the application or use by customer's third party customer(s). Customer is responsible for doing all necessary testing for the customer's applications and products using NXP Semiconductors products in order to avoid a default of the applications and the products or of the application or use by customer's third party customer(s). NXP does not accept any liability in this respect.

Limiting values — Stress above one or more limiting values (as defined in the Absolute Maximum Ratings System of IEC 60134) will cause permanent damage to the device. Limiting values are stress ratings only and (proper) operation of the device at these or any other conditions above those given in the Recommended operating conditions section (if present) or the Characteristics sections of this document is not warranted. Constant or repeated exposure to limiting values will permanently and irreversibly affect the quality and reliability of the device.

Terms and conditions of commercial sale — NXP Semiconductors products are sold subject to the general terms and conditions of commercial sale, as published at <http://www.nxp.com/profile/terms>, unless otherwise agreed in a valid written individual agreement. In case an individual agreement is concluded only the terms and conditions of the respective agreement shall apply. NXP Semiconductors hereby expressly objects to applying the customer's general terms and conditions with regard to the purchase of NXP Semiconductors products by customer.

No offer to sell or license — Nothing in this document may be interpreted or construed as an offer to sell products that is open for acceptance or the grant, conveyance or implication of any license under any copyrights, patents or other industrial or intellectual property rights.

Quick reference data — The Quick reference data is an extract of the product data given in the Limiting values and Characteristics sections of this document, and as such is not complete, exhaustive or legally binding.

Export control — This document as well as the item(s) described herein may be subject to export control regulations. Export might require a prior authorization from competent authorities.

Translations — A non-English (translated) version of a document, including the legal information in that document, is for reference only. The English version shall prevail in case of any discrepancy between the translated and English versions.

Security — Customer understands that all NXP products may be subject to unidentified vulnerabilities or may support established security standards or specifications with known limitations. Customer is responsible for the design and operation of its applications and products throughout their lifecycles to reduce the effect of these vulnerabilities on customer's applications and products. Customer's responsibility also extends to other open and/or proprietary technologies supported by NXP products for use in customer's applications. NXP accepts no liability for any vulnerability. Customer should regularly check security updates from NXP and follow up appropriately.

Customer shall select products with security features that best meet rules, regulations, and standards of the intended application and make the ultimate design decisions regarding its products and is solely responsible for compliance with all legal, regulatory, and security related requirements concerning its products, regardless of any information or support that may be provided by NXP.

NXP has a Product Security Incident Response Team (PSIRT) (reachable at PSIRT@nxp.com) that manages the investigation, reporting, and solution release to security vulnerabilities of NXP products.

Suitability for use in automotive and/or industrial applications — This NXP product has been qualified for use in automotive and/or industrial applications. It has been developed in accordance with ISO 26262 respectively IEC 61508, and has been ASIL- respectively SIL-classified accordingly. If this product is used by customer in the development of, or for incorporation into, products or services (a) used in safety critical applications or (b) in which failure could lead to death, personal injury, or severe physical or environmental damage (such products and services hereinafter referred to as "Critical Applications"), then customer makes the ultimate design decisions regarding its products and is solely responsible for compliance with all legal, regulatory, safety, and security related requirements concerning its products, regardless of any information or support that may be provided by NXP. As such, customer assumes all risk related to use of any products in Critical Applications and NXP and its suppliers shall not be liable for any such use by customer. Accordingly, customer will indemnify and hold NXP harmless from any claims, liabilities, damages and associated costs and expenses (including attorneys' fees) that NXP may incur related to customer's incorporation of any product in a Critical Application.

14.3 Trademarks

Notice: All referenced brands, product names, service names, and trademarks are the property of their respective owners.

NXP — wordmark and logo are trademarks of NXP B.V.

Safety System Basis Chip with Low Power for ASIL D / ASIL B

SafeAssure — is a trademark of NXP B.V.

SafeAssure — logo is a trademark of NXP B.V.

Tables

Tab. 1.	Device segmentation	8	Tab. 6.	Temperatures ranges	17
Tab. 2.	Orderable part numbers	9	Tab. 7.	Thermal resistance (per JEDEC JESD51-2) ...	17
Tab. 3.	Pin descriptions	13	Tab. 8.	Package mechanical dimensions	18
Tab. 4.	Maximum ratings	15	Tab. 9.	References	25
Tab. 5.	ESD	16			

Figures

Fig. 1.	Functional block diagram	3	Fig. 8.	SOT1571-6	19
Fig. 2.	Part number breakdown	7	Fig. 9.	Package outline details (SOT1571-6)	20
Fig. 3.	Part number mapping versus features set	7	Fig. 10.	Package outline notes (SOT1571-6)	21
Fig. 4.	Example of an application diagram (with boost as a front-end regulator)	10	Fig. 11.	PCB design guidelines - solder mask opening pattern (SOT1571-6)	22
Fig. 5.	Example of an application diagram (with boost as a back-end regulator)	11	Fig. 12.	PCB design guidelines - I/O pads and solderable area (SOT1571-6)	23
Fig. 6.	FS26 block diagram	12	Fig. 13.	PCB design guidelines - solder paste stencil (SOT1571-6)	24
Fig. 7.	Pin assignment in LQFP48 package with exposed pad	13			