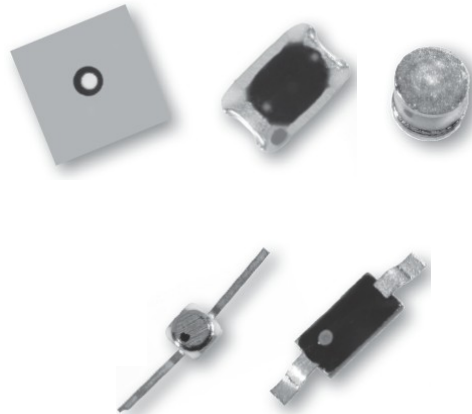


GaAs Hyperabrupt Varactor Diodes 0.75 Constant Gamma

Rev. V1

Features

- 0 to 18 V Tuning Voltage
- Tuning Ratios up to 10
- Screening Available per:
MIL-PRF-19500 and MIL-PRF-35834
- RoHS* Compliant
- Also Available in 1.0 and 1.25 Constant Gamma Families: MGV100-x and MGV125-x



Description

The MGV series of hyperabrupt varactor diodes feature passivated mesa construction for low leakage and excellent post tuning drift. Available in three constant gamma families of 0.75, 1.0 and 1.25.

These diodes will find application in tunable filters and oscillators up to 40 GHz. Optimum performance is obtained using die however packaged devices are available as well screened per MIL-PRF-19500 and MIL-PRF-38534.

Chip (C01A)

Electrical Specifications: $T_A = +25^\circ\text{C}$, $V_B = 18\text{ V min.}$, $I_R = 100\text{ nA max.}$

Model	Total Capacitance (pF)			Tuning Ratio			Q
	$V_R = 4\text{ V, } 1\text{ MHz}$			$V_R = 2\text{ to } 12$		$V_R = 2\text{ to } 18$	$V_R = 4\text{ V, } 50\text{ MHz}$
	Min.	Nom.	Max.	Min.	Typ.	Typ.	Min.
MGV075-08	0.25	0.30	0.35	2.2	2.8	3.5	4,000
MGV075-09	0.35	0.40	0.45	2.2	2.8	3.5	4,000
MGV075-10	0.45	0.50	0.55	2.2	2.8	3.5	3,000
MGV075-11	0.63	0.70	0.77	2.2	2.8	3.5	3,000
MGV075-12	0.72	0.80	0.88	2.2	2.8	3.5	3,000
MGV075-13	0.90	1.00	1.10	2.2	2.8	3.5	3,000
MGV075-14	1.08	1.20	1.32	2.2	2.8	3.5	3,000
MGV075-15	1.35	1.50	1.65	2.2	2.8	3.5	3,000
MGV075-16	1.62	1.80	1.98	2.2	2.8	3.5	3,000
MGV075-17	1.80	2.00	2.20	2.2	2.8	3.5	3,000

* Restrictions on Hazardous Substances, European Union Directive 2011/65/EU.

MGV075-x Series



GaAs Hyperabrupt Varactor Diodes 0.75 Constant Gamma

Rev. V1

Packaged (E28, 28X, H20, P55, 0805-2)

Electrical Specifications: $T_A = +25^\circ\text{C}$, $V_B = 18\text{ V min.}$, $I_R = 100\text{ nA max.}$

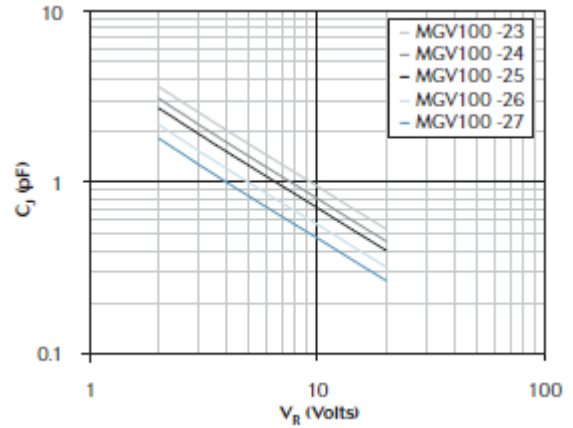
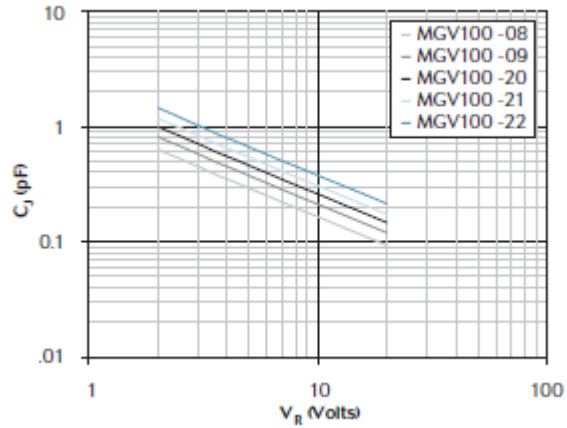
Model	Total Capacitance (pF)			Tuning Ratio			Q
	$V_R = 4\text{ V, } 1\text{ MHz}$			$V_R = 2\text{ to } 12$		$V_R = 2\text{ to } 18$	$V_R = 4\text{ V, } 50\text{ MHz}$
	Min.	Nom.	Max.	Min.	Typ.	Typ.	Min.
MGV075-08-E28 / 28 X	0.32	0.38	0.44	1.4	2.2	2.7	4,000
MGV075-08H20	0.41	0.48	0.56	0.4	1.4	1.7	4,000
MGV075-08-P55	0.36	0.43	0.50	0.9	1.8	2.2	4,000
MGV075-08-0805-2	0.30	0.36	0.42	1.6	2.3	2.9	4,000
MGV075-09-E28 / 28 X	0.42	0.48	0.54	1.6	2.3	2.9	4,000
MGV075-09-H20	0.51	0.58	0.66	0.9	1.7	2.1	4,000
MGV075-09-P55	0.46	0.53	0.60	1.3	2.0	2.5	4,000
MGV075-09-0805-2	0.40	0.46	0.52	1.8	2.4	3.0	4,000
MGV075-10-E28 / 28 X	0.52	0.58	0.64	1.8	2.4	3.0	3,000
MGV075-10-H20	0.61	0.68	0.76	1.2	1.9	2.4	3,000
MGV075-10-P55	0.56	0.63	0.70	1.5	2.1	2.7	3,000
MGV075-10-0805-2	0.50	0.56	0.62	1.9	2.5	3.1	3,000
MGV075-11-E28 / 28 X	0.70	0.78	0.86	1.9	2.5	3.1	3,000
MGV075-11-H20	0.79	0.88	0.98	1.5	2.1	2.7	3,000
MGV075-11-P55	0.74	0.83	0.92	1.7	2.3	2.9	3,000
MGV075-11-0805-2	0.68	0.76	0.84	2.0	2.6	3.2	3,000
MGV075-12-E28 / 28 X	0.79	0.88	0.97	1.9	2.5	3.2	3,000
MGV075-12-H20	0.88	0.98	1.09	1.6	2.2	2.8	3,000
MGV075-12-P55	0.83	0.93	1.03	1.7	2.4	3.0	3,000
MGV075-12-0805-2	0.77	0.86	0.95	2.0	2.6	3.3	3,000
MGV075-13-E28 / 28 X	0.97	1.08	1.19	2.0	2.6	3.2	3,000
MGV075-13-H20	1.06	1.18	1.31	1.7	2.3	2.9	3,000
MGV075-13-P55	1.01	1.13	1.25	1.8	2.5	3.1	3,000
MGV075-13-0805-2	0.95	1.06	1.17	2.0	2.6	3.3	3,000
MGV075-14-E28 / 28 X	1.15	1.28	1.41	2.0	2.6	3.3	3,000
MGV075-14-H20	1.24	1.38	1.53	1.8	2.4	3.0	3,000
MGV075-14-P55	1.19	1.33	1.47	1.9	2.5	3.2	3,000
MGV075-14-0805-2	1.13	1.26	1.39	2.1	2.7	3.3	3,000
MGV075-15-E28 / 28 X	1.42	1.58	1.74	2.1	2.7	3.3	3,000
MGV075-15-H20	1.51	1.68	1.86	1.9	2.5	3.1	3,000
MGV075-15-P55	1.46	1.63	1.80	2.0	2.6	3.2	3,000
MGV075-15-0805-2	1.40	1.56	1.72	2.1	2.7	3.4	3,000
MGV075-16-E28 / 28 X	1.69	1.88	2.07	2.1	2.7	3.4	3,000
MGV075-16-H20	1.78	1.98	2.19	1.9	2.5	3.2	3,000
MGV075-16-P55	1.73	1.93	2.13	2.0	2.6	3.3	3,000
MGV075-16-0805-2	1.67	1.86	2.05	2.1	2.7	3.4	3,000
MGV075-17-E28 / 28 X	1.87	2.08	2.29	2.1	2.7	3.4	3,000
MGV075-17-H20	1.96	2.18	2.41	1.9	2.6	3.2	3,000
MGV075-17-P55	1.91	2.13	2.35	2.0	2.6	3.3	3,000
MGV075-17-0805-2	1.85	2.06	2.27	2.1	2.7	3.4	3,000

2

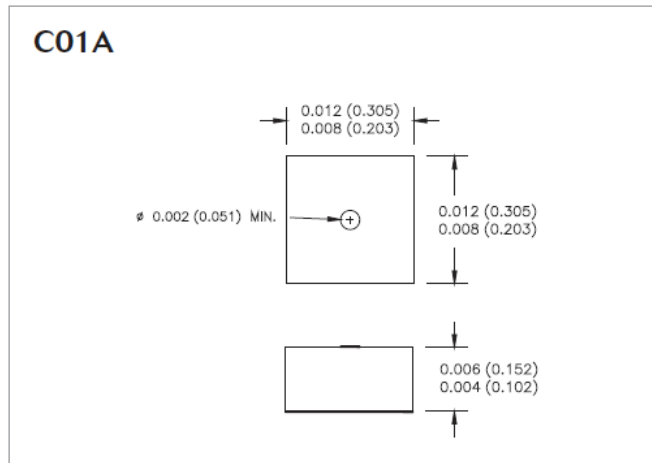
M/A-COM Technology Solutions Inc. (MACOM) and its affiliates reserve the right to make changes to the product(s) or information contained herein without notice. Visit www.macom.com for additional data sheets and product information.

For further information and support please visit:
<https://www.macom.com/support>

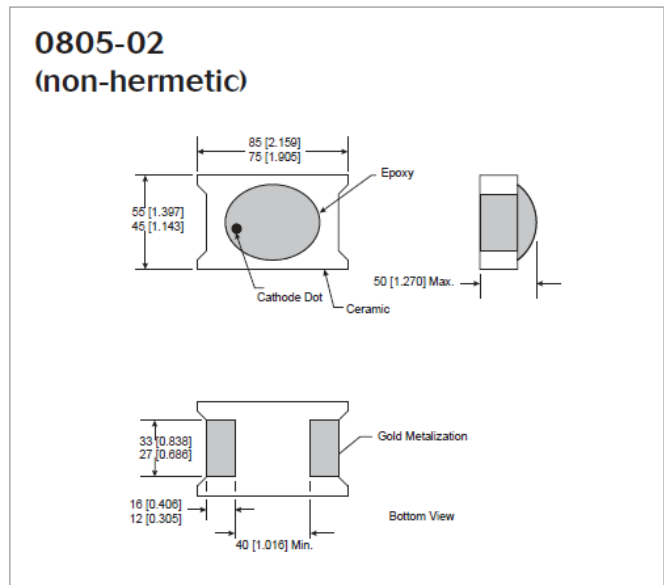
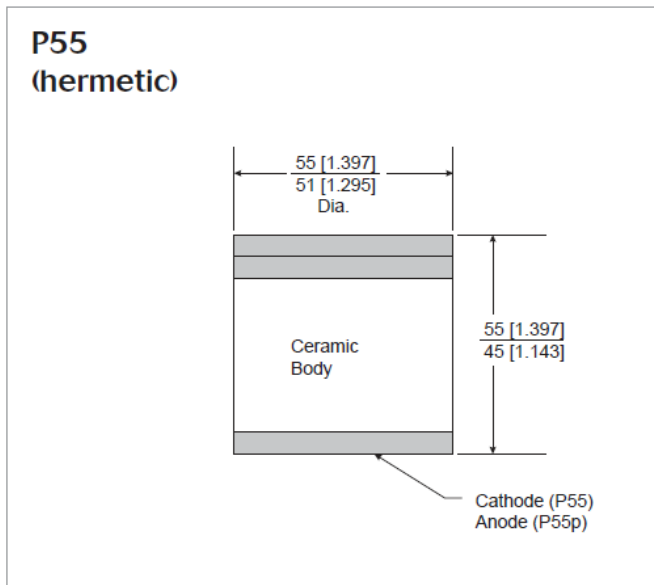
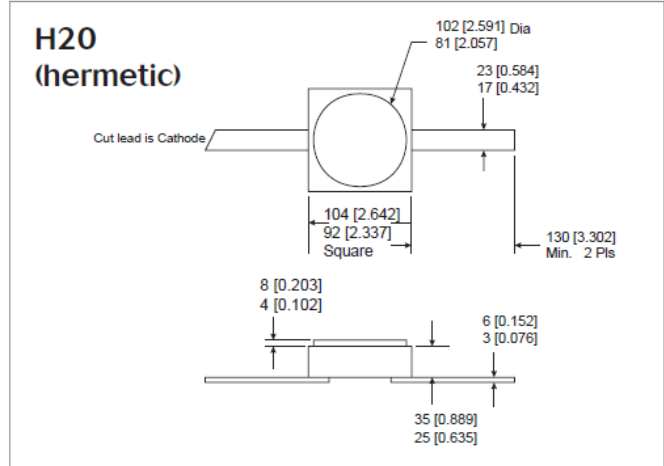
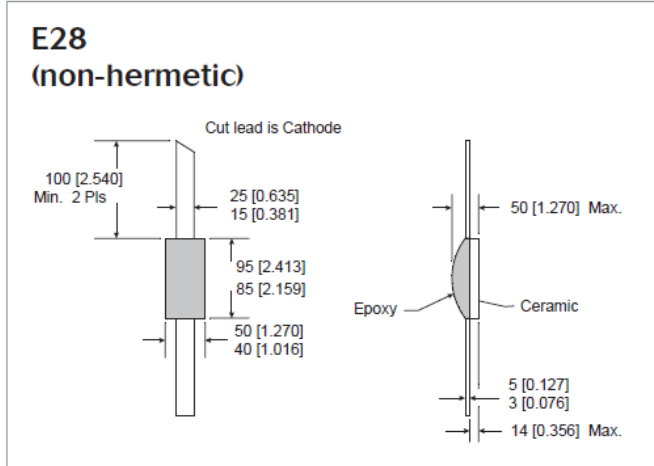
Typical Performance, Chips



Chip Outline Drawings



Packaged Outline Drawings



Package Style	Capacitance @ 1 GHz	Inductance @ 1 GHz
E28 / 28X	0.08	0.40
H20	0.18	0.50
P55	0.13	0.35
0805-2	0.06	0.40