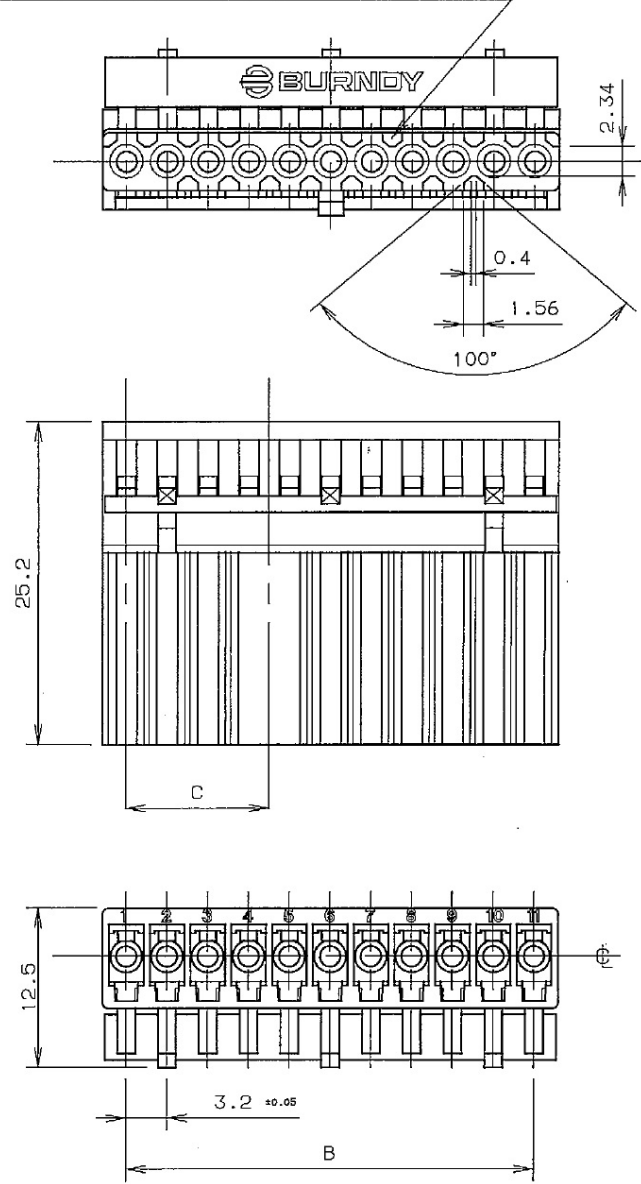
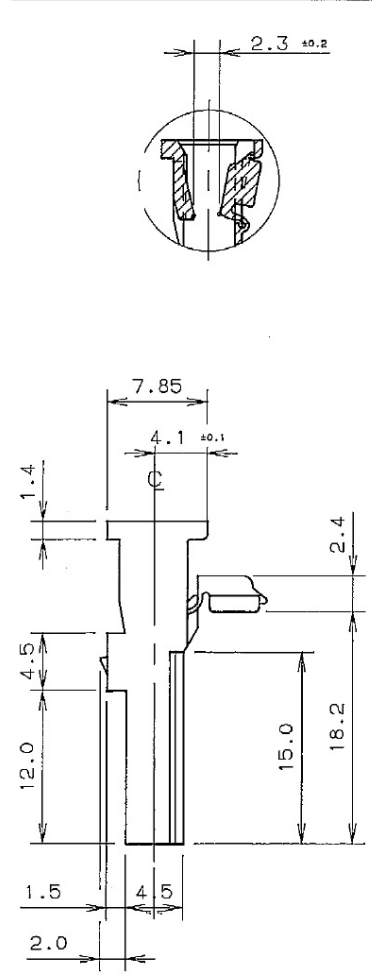


POLARIZATIONS ON VARIABLE POSITION

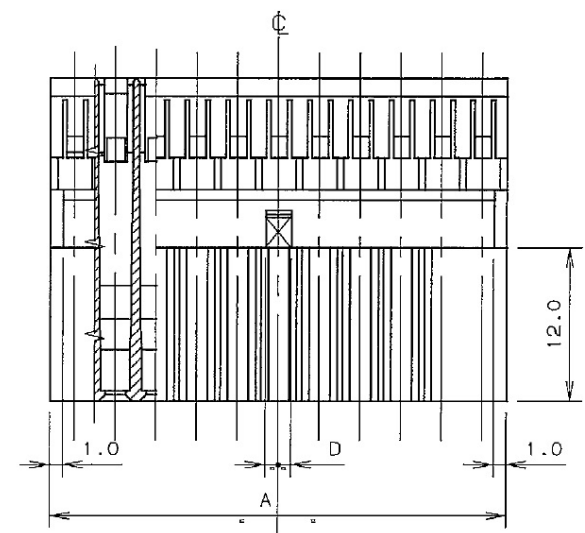


DETAIL OF SECONDARY LOCK INSERTED




NOTES

- 1) Material: NYLON 6.6 15% Glass filled
- 2) Standard colour is white, but, if required, it is possible to supply the plug housing in several colour
- 3) C dimension identifies position of variable polarization
- 4) The cavity is foreseen to accept Mint hylok socket contacts shown on drawings: BSC305942 - BSC306014



14-07742		30/10/2014		A		-		DELPHI P/N ADDED			S.M	F.G	M.C
ECN-NO. NUMERO - ECN	DATE DATA	DD / MM / YY	REVISION REVISIONE	POSITION POSIZIONE	CHANGE DESCRIPTION DESCRIZIONE MODIFICA	DRAWN BY DISEGNATORE			CHK. BY CONTROLLATO	APPR. BY APPROVATO			
PRODUCT SPEC. SPEC. DI PRODOTTO	PACKAGING SPEC. SPEC. DI IMBALLAGGIO	APPLICATION SPEC. SPEC. DI APPLICAZIONE		COPYRIGHT DELPHI CORPORATION AND/OR ITS AFFILIATES. ALL RIGHTS RESERVED. REVISED THIS DRAWING IS THE PROPERTY OF DELPHI CORPORATION. THE REPRODUCTION, CONFIDENTIAL. LA RIPRODUZIONE, DISTRIBUZIONE E UTILIZZAZIONE DI QUESTO DOCUMENTO O DELLE SUE RELATIVE MATERIE CHE CAD, NONCHE LA COMUNICAZIONE DI QUESTI/SI/SI CONTENUTO AD ALTRI, SENZA ESPLICITA AUTORIZZAZIONE, E' PROIBITA									
TOLERANCES TOLLERANZE	MATERIAL : MATERIALE : NYLON 6.6 15% Glass filled		SURFACE FINISH FINITURA SUPERFICIALE		DELPHI			CAD SYSTEM		pro / eng.			
COUNTERPART N°. CONTROPARTE N°.	COLOUR : COLORE : White				DELPHI PACKARD ELECTRICAL/ELECTRONIC ARCHITECTURE TORINO, ITALY			DIMENSION IN MILLIMETERS DIMENSIONI IN MILLIMETRI		DWG SIZE FORNATO A3			
DO NOT SCALE DRAWING DISEGNO FUORI SCALA	DATE DATA	NAME NOME	TITLE DESCRIZIONE	LOC. CODE NAZIONALITA'	IT			ISO PROJECTION PROIEZIONE ISO		DRAWING NUMBER NUMERO DI SEGNO			
DRAWN BY DISEGNATORE	28/08/1990	M. Borgatti	MINI HYLOK PLUG WITH SEC. LOCK				BSC306018			SHEET FOGLIO			
CHECKED BY CONTROLLATO									1 of 1 3				
APPROVED BY APPROVATO			ESR NO. NUMERO ESR			CAT. NO. NUMERO CAT. SEE TABLE (2/3)			FILE NAME NOME FILE				
											SCALE SCALA		1:1

15	MHS15000WH00*T	33500453	-	48.6	44.8	-	2.0
14				45.4	41.6		
13	MHS13034WH00*T	15340956	3-4	42.2	38.4	8.0	
12	MHS12056WH00*T	33517406	5-6	39.0	35.2	14.4	
	MHS12045WH00*T	15368753	4-5			11.2	
11	MHS11045WH00*T	10776643	4-5	35.8	32.0	11.2	
10	MHS10056WH00*T	10726691	5-6	32.6	28.8	14.4	
	MHS10045WH00*T	15368752	4-5			11.2	
9	MHS09000WH00*T	15368751	-	29.4	25.6	-	
8	MHS08000WH00*T	15368750	-	26.2	22.4	-	
7	MHS07067WH00*T	15368749	6-7	23.0	19.2	17.6	
	MHS07045WH00*T	33500452	4-5			11.2	
6	MHS06045WH00*T	15368748	4-5	19.8	16.0	11.2	
	MHS06034WH00*T	10726688	3-4			8.0	
	MHS06023WH00*T	33500451	2-3			4.8	
5	MHS05034WH00*T	33500450	3-4	16.6	12.8	8.0	
	MHS05023WH00*T	15368747	2-3			4.8	
4	MHS04034WH00*T	10726687	3-4	13.4	9.6	8.0	
	MHS04023WH00*T	15363898	2-3			4.8	
	MHS04012WH00*T	33500449	1-2			1.6	
	MHS04000WHA*T	33500448	A			SEE SHEET 3 OF 3	
3	MHS03023WH00*T	33500447	2-3	10.2	6.4	4.8	
	MHS03012WH00*T	15368746	1-2			1.6	
2	MHS03000WHA*T	33500446	A	7.0	3.2	SEE SHEET 3 OF 3	
	MHS02000WH00*T	15368745	-			-	
No of ways	BURNDY Catalog number	PART NO. DELPHI	Polar	A	B	C	D
Dimensions							

14-07742	30/10/2014	A	-	DELPHI P/N ADDED			S.M	F.G	M.C
ECN-NO. / NUMERO-ECN	DATE / DATA	REVISION / REVISIONE	POSITION / POSIZIONE	CHANGE DESCRIPTION / DESCRIZIONE MODIFICA				DRAWN BY / CHK. BY	APPR. BY / APPROVATO
PRODUCT SPEC. / SPEC. DI PRODOTTO	PACKAGING SPEC. / SPEC. DI IMBALLAGGIO	APPLICATION SPEC. / SPEC. DI APPLICAZIONE	COPYRIGHT DELPHI CORPORATION AND/OR ITS AFFILIATES. ALL RIGHTS RESERVED. REVISED THIS DRAWING IS THE PROPERTY OF DELPHI CORPORATION. THE REPRODUCTION, DISTRIBUTION AND UTILIZATION OF THIS DOCUMENT OR ITS RELATED CAD WITH DATA, AS WELL AS COMMUNICATION OF ANY CONTENT TO OTHERS, WITHOUT EXPRESS AUTHORIZATION IS PROHIBITED.						
TOLERANCES / TOLLERANZE	MATERIAL: / MATERIALE:	SURFACE FINISH / FINITURA SUPERFICIALE		<b>DELPHI</b> DELPHI PACKARD ELECTRICAL/ELECTRONIC ARCHITECTURE TORINO, ITALY				CAD SYSTEM	
COUNTERPART N° / CONTROPARTE N°.	WYLOK 6.6 15X Glass filled	-						pro / eng.	
DO NOT SCALE DRAWING / DISEGNO FUORI SCALA	COLOUR: / COLORE:	TOOL NO. / NUMERO STR.	LOC. CODE / NAZIONALITA'	 ISO PROJECTION / PROIEZIONE ISO		DIMENSION IN MILLIMETERS / DIMENSIONI IN MILLIMETRI A3			
DRAWN BY / DISSEGNIATORE	DATE / DATA	NAME / NOME	TITLE / DESCRIZIONE		DRAWING NUMBER / NUMERO DI SEGNO		SHEET / FOGLIO		
CHECKED BY / CONTROLLATO	26/06/1990	N. Bergetti	MINI HYLOK PLUG WITH SEC. LOCK		BSC306018		2 of 3		
APPROVED BY / APPROVATO	ESR NO. / NUMERO ESR		CAT. NO. / NUMERO CAT.		FILE NAME / NOME FILE		SCALE / SCALA		
			SEE TABLE (2/3)				1:1		