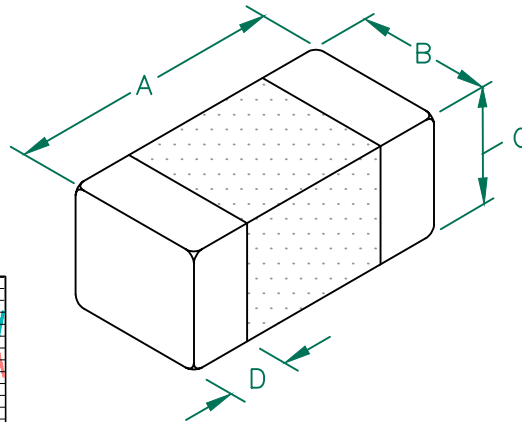


MI0603L221R-10

PHYSICAL DIMENSIONS:

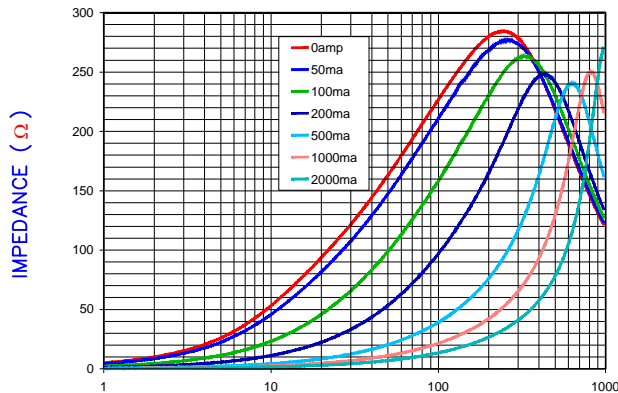
A	1.60 [.063]	+ 0.15	[-.006]
B	0.80 [.031]	+ 0.15	[-.006]
C	0.80 [.031]	+ 0.15	[-.006]
D	0.36 [.014]	+ 0.15	[-.006]



ELECTRICAL CHARACTERISTICS:

	Z @ 100MHz (Ω)	DCR (Ω)	Rated Current
Nominal	220	—	
Minimum	165	—	
Maximum	275	.050	2000 mA

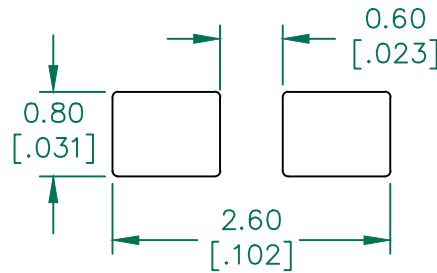
Z vs FREQUENCY
IMPEDANCE UNDER DC BIAS



NOTES: UNLESS OTHERWISE SPECIFIED

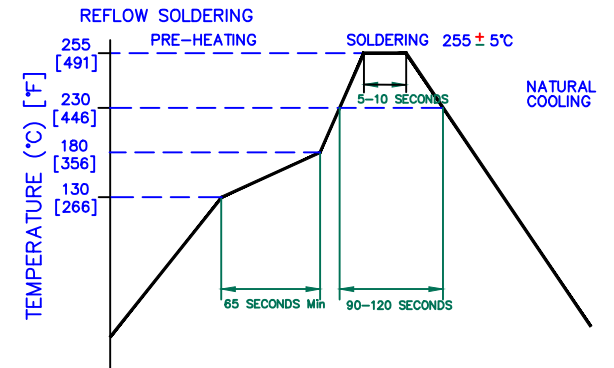
1. TAPED AND REELED per CURRENT EIA SPECIFICATIONS 7" REELS, 4000 PCS/REEL.
2. COMPONENTS SHOULD BE ADEQUATELY PREHEATED BEFORE SOLDERING.
3. TERMINATION FINISH IS 100% TIN.
4. OPERATING TEMP. RANGE: $-40^{\circ}\text{C} \sim +125^{\circ}\text{C}$. (INCLUDING SELF-HEATING)
5. COSMETIC SPECIFICATION REFER TO WI-QA-124.

LAND PATTERNS FOR REFLOW SOLDERING

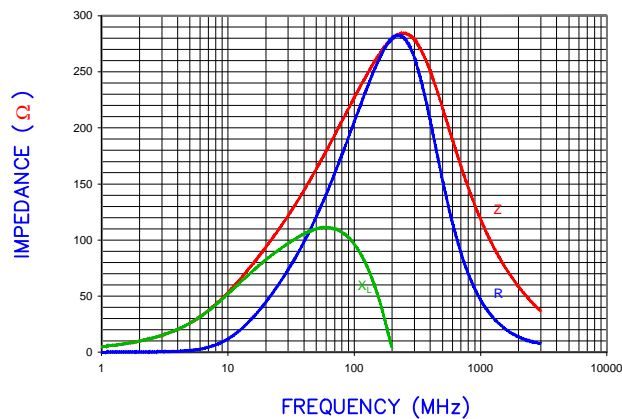


(For wave soldering, add 0.762 [.030] to this dimension)

RECOMMENDED SOLDERING CONDITIONS



FREQUENCY (MHz)
|Z|, R, AND X vs. FREQUENCY



Z R X_L

AGILENT E4991A RF Impedance/Material Analyzer
HP 16194A Test Fixture. TEST REF. 3375



DIMENSIONS ARE IN mm [INCHES].

This print is the property of Laird Tech. and is loaned in confidence subject to return upon request and with the understanding that no copies shall be made without the written consent of Laird Tech. All rights to design or invention are reserved.					
E	ADD OPERATING TEMPERATURE UPDATE LAIRD LOGO AND REFLOW CURVE	08/05/13	QU		
D	UPDATE COMPANY LOGO	07/25/08	JRK	REV E	PART TYPE: CO-FIRE
C	CHANGE DCR FROM .080	09/27/06	JRK	DATE: 04/20/04	SCALE: —
B	RE-ACTIVATE PRINT REM NOM/MIN DCR SPECS	02/17/06	JRK	CAD #	SHEET: —
A	ORIGINAL DRAFT	04/20/04	JRK	TOOL #	2 of 2
REV	DESCRIPTION	DATE	INT	MI0603L221R-10-E	