



# MIA-HB-698-2700

## HIGH PERFORMANCE EMBEDDED 4G LTE ANTENNA

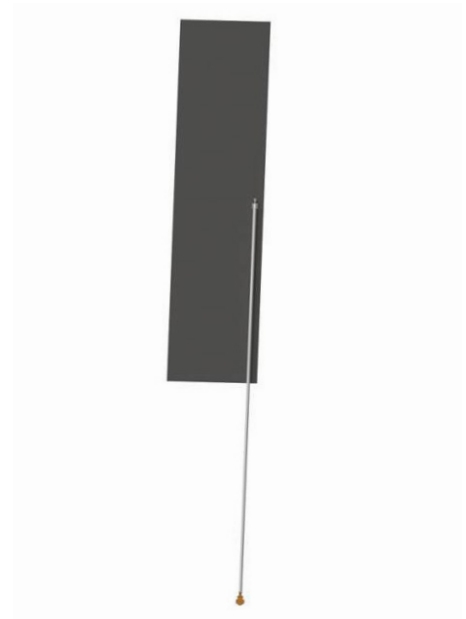
Ordering Part #: 100-00160-01

### Description

MIA-HB-698-2700 is an ultra-wideband hexa band embedded antenna that provides broad coverage 690MHz- 960MHz / 1710MHz-2700MHz and is compatible with most 4G LTE, 3G and 2G standards. This is a high efficiency high gain antenna ideally suited for LTE connectivity such as gateways, healthcare, HD video, routers, access points, repeaters and other LTE applications. The antenna is built out of flex material and is very easy to integrate. The antenna size is 120mm x 30mm featuring a coax cable and U. FL connector.

### Electrical Specifications

Parameter	Design Specifications	
Frequency	698 MHz ~ 960 MHz 1710 MHz ~ 2170 MHz 2500 MHz ~ 2700 MHz	
Dimension	120 x 30 x 0.15 mm	
VSWR	< 3.5	
Polarization	Linear	
Axial Ratio	3 typ.	
Impedance	50 Ohm	
Operating Temperature	from -40°C to +85°C	
Termination	Ag (Environmentally-Friendly Pb Free)	
Efficiency (%)	698 ~ 960 MHz	40 ~ 80
	1710 ~ 2170 MHz	70 ~ 90
	2500 MHz ~ 2700 MHz	70



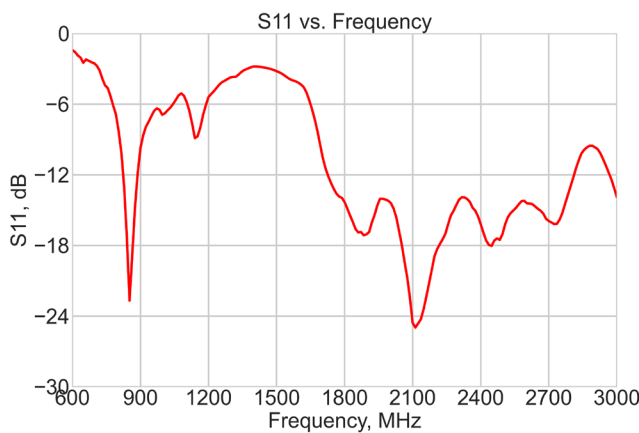
### Features

- 4G LTE 690MHz – 960MHz | 1710MHz – 2700MHz
- Ground plane Independent
- High Efficiency across all bands
- Flexible embedded antenna

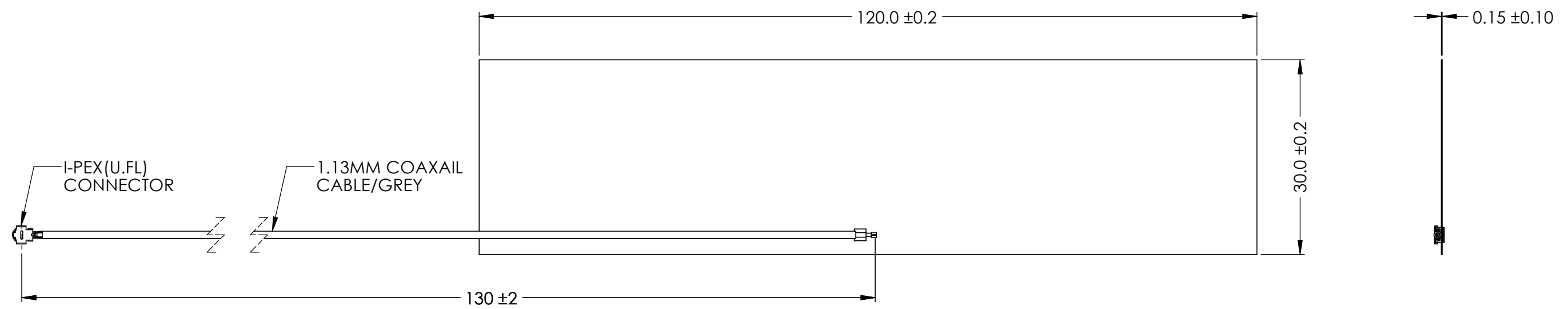
### Applications

- IOT
- Smart City
- Vending Machines
- HD Video
- Gateways

### S11 vs. Frequency plot



DRAWING REVISION HISTORY			
REV	DESCRIPTION	DATE	BY
A	INITIAL RELEASE	2021-01-22	QZ



NOTES:

1. FREQUENCY: 698MHz~960MHz; 1710MHz~2170MHz; 2500MHz~2700MHz
2. VSWR: <3.5
3. POLARIZATION: LINEAR
4. IMPEDANCE: 50 OHM
5. COONECTOR: I-PEX(U.FL)
6. OPERATING TEMPERATURE: -40~85 °C

ITEM 100-00160-01 REVISION HISTORY			
REV	DESCRIPTION	DATE	BY
A	INITIAL RELEASE	2021-01-19	QZ

PROPRIETARY AND CONFIDENTIAL

THE INFORMATION CONTAINED IN THIS DRAWING IS THE SOLE PROPERTY OF MAXTENA, INC. ANY REPRODUCTION IN PART OR AS A WHOLE WITHOUT THE WRITTEN PERMISSION OF MAXTENA, INC IS PROHIBITED.

UNLESS OTHERWISE SPECIFIED:	NAME	DATE
DIMENSIONS ARE IN MM	DRAWN	QZ 2020-01-22
TOLERANCES:	CHECKED	ZX 2020-01-28
FRACTIONAL ±	ENG APPR.	NPC 2020-01-28
ANGULAR: MACH ± .5° BEND ±	MFG APPR.	
INTEGER ± 2	Q.A.	
ONE PLACE DECIMAL ± 1.0	CAD MAINTAINED. CHANGES SHALL BE INCORPORATED BY THE DESIGN ACTIVITY.	
TWO PLACE DECIMAL ± .50		
INTERPRET GEOMETRIC TOLERANCING PER:		
	DO NOT SCALE DRAWING	

MAXTENA, INC		
TITLE: 100-00160-01		
MIA-HB-698-2700		
700-2700MHZ, 130mm Coax U.FL		
SIZE	DWG. NO.	REV
<b>B</b>	<b>117-00398-01</b>	<b>A</b>
CAGE CODE: 5KQH7	SCALE: NONE	SHEET 1 OF 1