

Micro-Power High Performance Dual 300 mA ULDO

Features

- 2.3V to 5.5V Input Voltage Range
- 300 mA Output Current per LDO
- Low Quiescent Current: 25 μ A per LDO
- High PSRR: >65 dB on Each LDO
- Stable with 1 μ F Ceramic Output Capacitors
- Tiny 8-pin 2 mm x 2 mm Thin DFN Package
- Ultra-Low Dropout Voltage: 120 mV @ 300 mA
- Low Output Voltage Noise: 50 μ V_{RMS}
- Thermal Shutdown Protection
- Current-Limit Protection

Applications

- Camera Phones
- Mobile Phones
- PDAs
- GPS Receivers
- Portable Devices

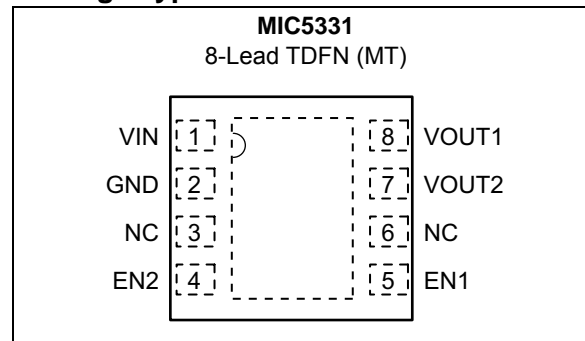
General Description

The MIC5331 is a tiny dual low quiescent current LDO ideal for applications that are power sensitive. The MIC5331 integrates two high performance, 300 mA LDOs into a tiny 2 mm x 2 mm Thin DFN package, which occupies less PC board area than a single SOT-23 package.

The MIC5331 is designed to reject input noise and provide low output noise with fast transient response to any load change quickly even though it is a low quiescent current part. This combination of PSRR, low noise and transient response along with low power consumption makes for a very high performance, yet general purpose product.

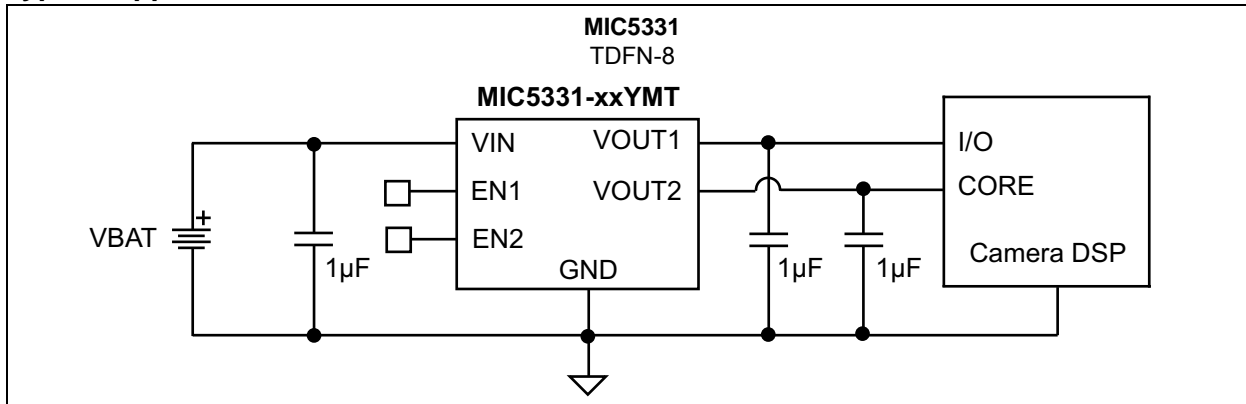
The MIC5331 is a μ Cap design, operating with very small ceramic output capacitors, which reduces required board space and component cost; and it is available in fixed output voltages in the tiny 8-pin 2 mm x 2 mm Thin DFN lead-less package.

Package Type

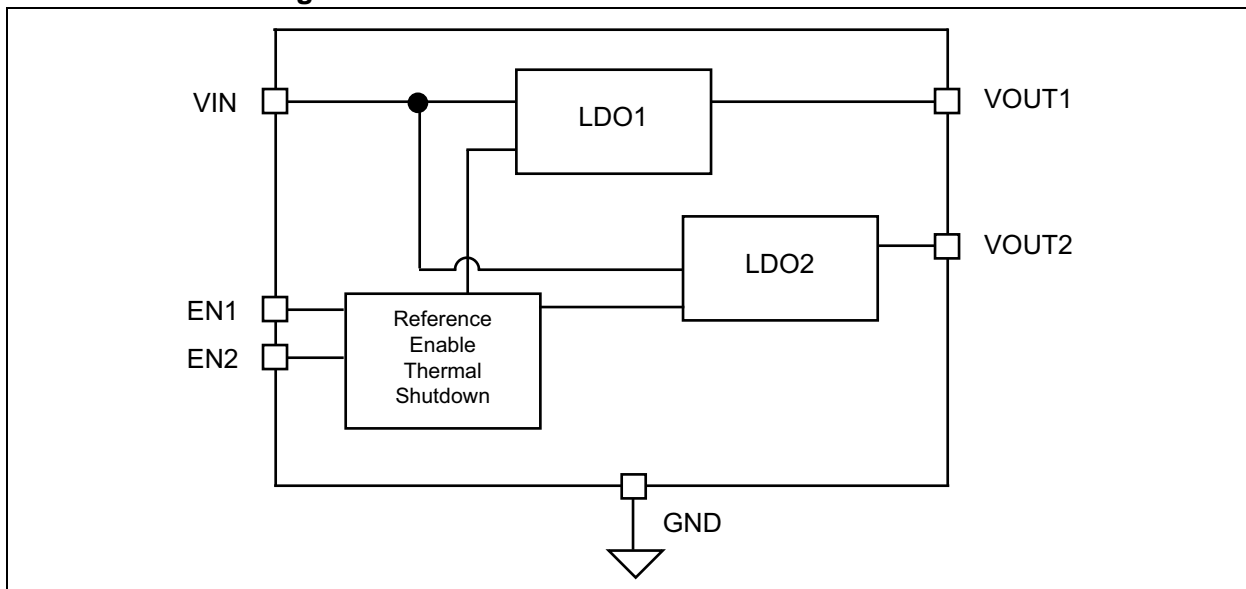


MIC5331

Typical Application Circuit



Functional Block Diagram



1.0 ELECTRICAL CHARACTERISTICS

Absolute Maximum Ratings †

Supply Voltage (V_{IN})	0V to +6V
Enable Input Voltage (V_{EN1} , V_{EN2})	0V to V_{IN}
Power Dissipation (P_D , Note 1)	Internally Limited
ESD Rating	Note 2

Operating Ratings ‡

Supply Voltage (V_{IN})	+2.3V to +5.5V
Enable Input Voltage (V_{EN1} , V_{EN2})	0V to V_{IN}

† **Notice:** Stresses above those listed under “Absolute Maximum Ratings” may cause permanent damage to the device. This is a stress rating only and functional operation of the device at those or any other conditions above those indicated in the operational sections of this specification is not intended. Exposure to maximum rating conditions for extended periods may affect device reliability.

‡ **Notice:** The device is not guaranteed to function outside its operating ratings.

Note 1: The maximum allowable power dissipation of any T_A (ambient temperature) is $P_{D(max)} = (T_{J(max)} - T_A)/\theta_{JA}$. Exceeding the maximum allowable power dissipation will result in excessive die temperature, and the regulator will go into thermal shutdown.

2: Devices are ESD sensitive. Handling precautions recommended.

TABLE 1-1: ELECTRICAL CHARACTERISTICS

Electrical Characteristics: $V_{IN} = V_{EN1} = V_{EN2} = V_{OUT} + 1.0V$, higher of the two regulator outputs; $I_{OUT1} = I_{OUT2} = 100 \mu A$; $C_{OUT1} = C_{OUT2} = 1 \mu F$; $T_J = +25^\circ C$, **bold** values indicate $-40^\circ C \leq T_J \leq +125^\circ C$; unless noted. [Note 1](#)

Parameter	Symbol	Min.	Typ.	Max.	Units	Conditions
Output Voltage Accuracy	ΔV_{OUT}	-1.0	—	1.0	%	Variation from nominal V_{OUT}
		-2.0	—	2.0	%	Variation from nominal V_{OUT} ; $-40^\circ C$ to $+125^\circ C$
Line Regulation	$\frac{\Delta V_{OUT}}{(V_{OUT} \times \Delta V_{IN})}$	—	0.02	0.3	%V	$V_{IN} = V_{OUT} + 1V$ to $5.5V$; $I_{OUT} = 100 \mu A$
		—	—	0.6		
Load Regulation	$\frac{\Delta V_{OUT}}{V_{OUT}}$	—	0.2	0.5	%	$I_{OUT} = 100 \mu A$ to $300 mA$
Dropout Voltage	V_{DO}	—	20	40	mV	$I_{OUT} = 50 mA$
		—	120	240	mV	$I_{OUT} = 300 mA$
Ground Current	I_{GND}	—	25	50	μA	$V_{EN1} = High$; $V_{EN2} = Low$; $I_{OUT} = 100 \mu A$ to $300 mA$
		—	25	50	μA	$V_{EN1} = Low$; $V_{EN2} = High$; $I_{OUT} = 100 \mu A$ to $300 mA$
		—	40	75	μA	$V_{EN1} = V_{EN2} = High$; $I_{OUT1} = 300 mA$, $I_{OUT2} = 300 mA$
Ground Current in Shutdown	I_{SHDN}	—	0.01	1.0	μA	$V_{EN1} = V_{EN2} < 0.2V$
Ripple Rejection	PSRR	—	65	—	dB	$f = 1 kHz$; $C_{OUT} = 2.2 \mu F$
		—	45	—	dB	$f = 20 kHz$; $C_{OUT} = 2.2 \mu F$
Current Limit	I_{LIMIT}	350	550	800	mA	$V_{OUT} = 0V$
Output Voltage Noise	e_N	—	50	—	μV_{RMS}	$C_{OUT} = 1 \mu F$; 10 Hz to 100 kHz
Enable Inputs (EN1/EN2)						
Enable Input Voltage	V_{ENABLE}	—	—	0.2	V	Logic Low
		1.2	—	—	V	Logic High

MIC5331

TABLE 1-1: ELECTRICAL CHARACTERISTICS (CONTINUED)

Electrical Characteristics: $V_{IN} = V_{EN1} = V_{EN2} = V_{OUT} + 1.0V$, higher of the two regulator outputs; $I_{OUT1} = I_{OUT2} = 100 \mu A$; $C_{OUT1} = C_{OUT2} = 1 \mu F$; $T_J = +25^\circ C$, **bold** values indicate $-40^\circ C \leq T_J \leq +125^\circ C$; unless noted. [Note 1](#)

Parameter	Symbol	Min.	Typ.	Max.	Units	Conditions
Enable Input Current	I_{ENABLE}	—	0.01	1.0	μA	$V_{IL} \leq 0.2V$
		—	0.01	1.0	μA	$V_{IH} \geq 1.2V$
Turn-On Time						
Turn-On Time (LDO1 and 2)	t_{ON}	—	140	500	μs	$C_{OUT} = 1 \mu F$ (Enable of First LDO)
		—	110	500	μs	$C_{OUT} = 1 \mu F$ (Enable of Second LDO after First Enabled)

Note 1: Specification for packaged product only.

TEMPERATURE SPECIFICATIONS (Note 1)

Parameters	Sym.	Min.	Typ.	Max.	Units	Conditions
Temperature Ranges						
Junction Operating Temperature Range	T_J	-40	—	+125	°C	—
Storage Temperature Range	T_S	-65	—	+150	°C	—
Lead Temperature	—	—	—	+260	°C	Soldering, 3s
Package Thermal Resistances						
Thermal Resistance 2 mm x 2 mm TDFN 8-Ld	θ_{JA}	—	90	—	°C/W	—

Note 1: The maximum allowable power dissipation is a function of ambient temperature, the maximum allowable junction temperature and the thermal resistance from junction to air (i.e., T_A , T_J , θ_{JA}). Exceeding the maximum allowable power dissipation will cause the device operating junction temperature to exceed the maximum +125°C rating. Sustained junction temperatures above +125°C can impact the device reliability.

2.0 TYPICAL PERFORMANCE CURVES

Note: The graphs and tables provided following this note are a statistical summary based on a limited number of samples and are provided for informational purposes only. The performance characteristics listed herein are not tested or guaranteed. In some graphs or tables, the data presented may be outside the specified power supply range (e.g., outside specified power supply range) and therefore outside the warranted range.

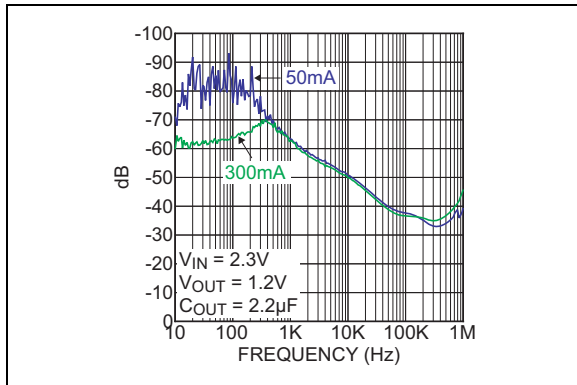


FIGURE 2-1: Power Supply Rejection Ratio.

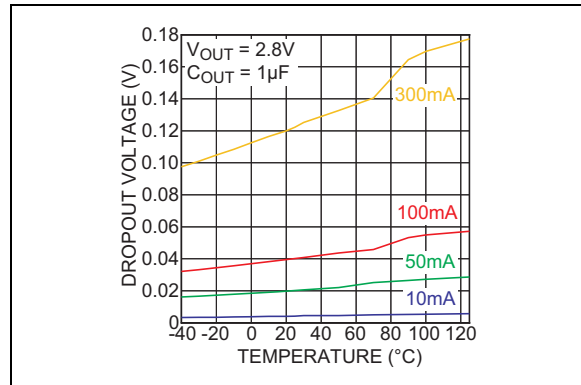


FIGURE 2-4: Dropout Voltage vs. Temperature.

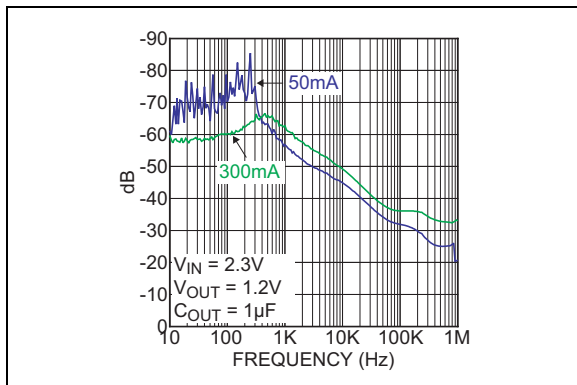


FIGURE 2-2: Power Supply Rejection Ratio.

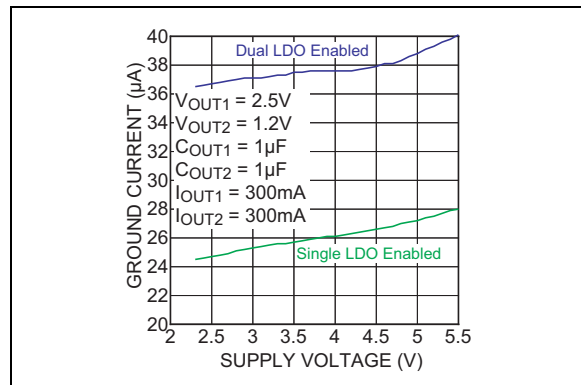


FIGURE 2-5: Ground Current vs. Supply Voltage.

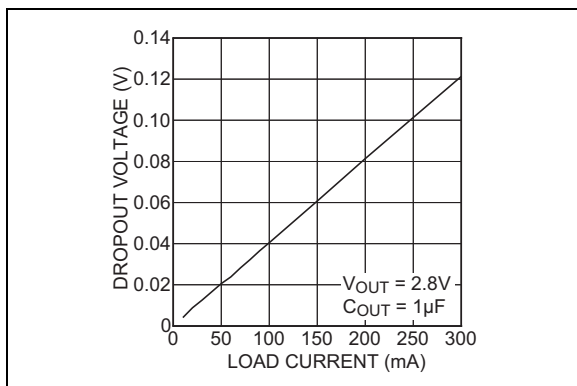


FIGURE 2-3: Dropout Voltage vs. Load Current.

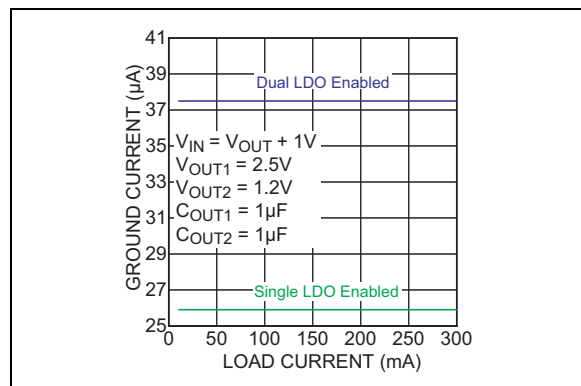


FIGURE 2-6: Ground Current vs. Load Current.

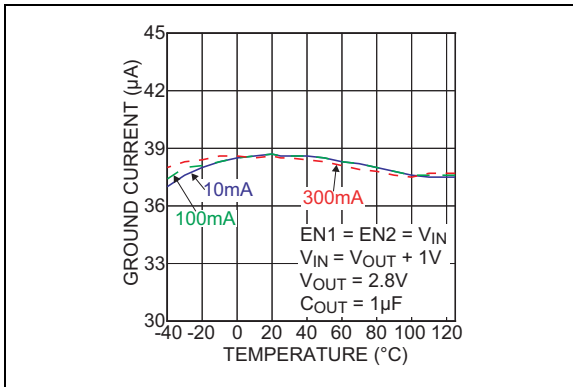


FIGURE 2-7: Ground Current vs. Temperature.

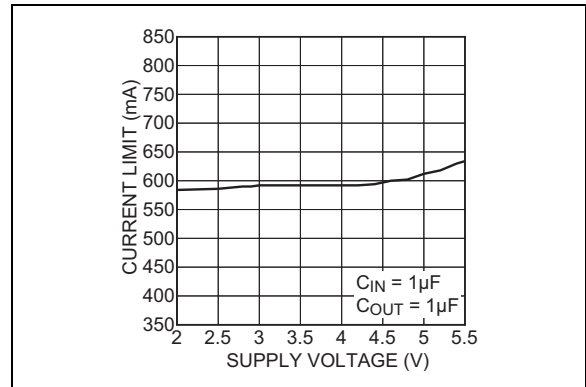


FIGURE 2-10: Current Limit vs. Supply Voltage.

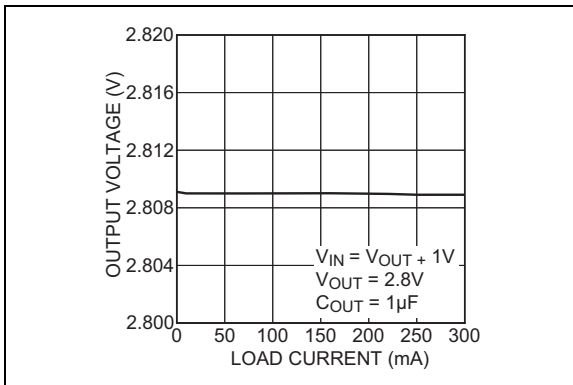


FIGURE 2-8: Output Voltage vs. Load Current.

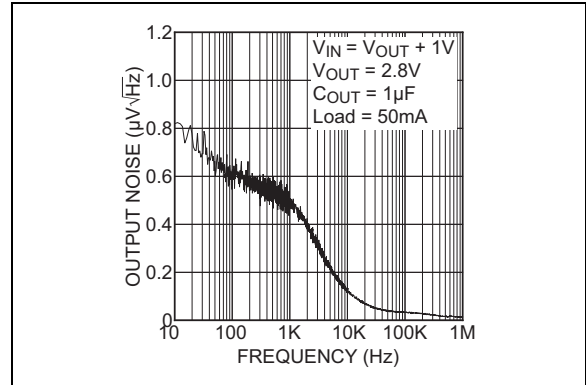


FIGURE 2-11: Output Noise Spectral Density.

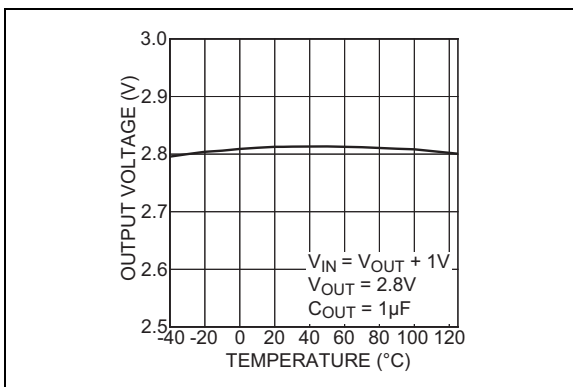


FIGURE 2-9: Output Voltage vs. Temperature.

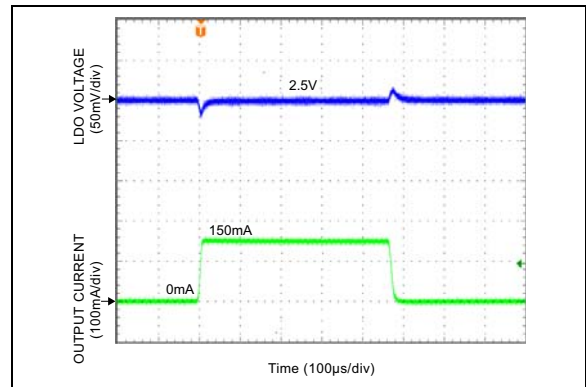


FIGURE 2-12: Load Transient (0 mA – 150 mA).

MIC5331

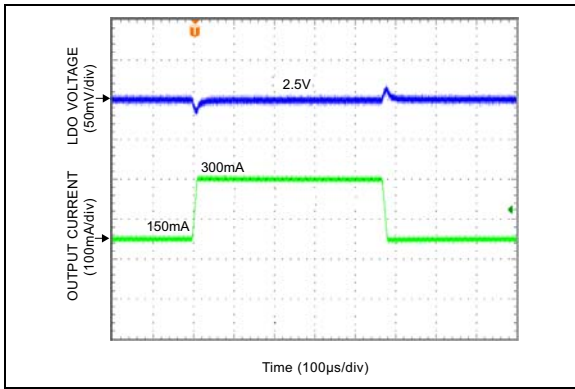


FIGURE 2-13: Load Transient (150 mA – 300 mA).

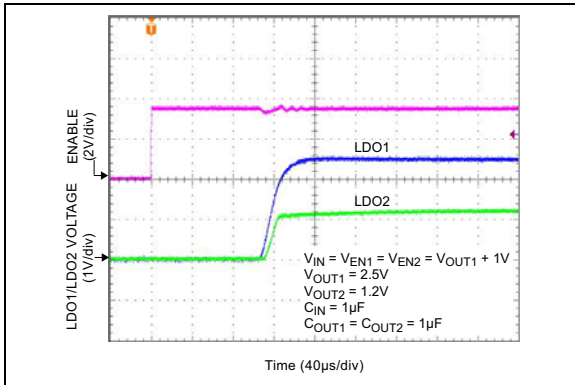


FIGURE 2-14: Enable Turn-On.

3.0 PIN DESCRIPTIONS

The descriptions of the pins are listed in [Table 3-1](#).

TABLE 3-1: PIN FUNCTION TABLE

Pin Number	Pin Name	Description
1	VIN	Supply Input.
2	GND	Ground.
3	NC	Not Internally Connected.
4	EN2	Enable Input (Regulator 2): Active-High Input. Logic-High = On; Logic-Low = Off. Do not leave floating.
5	EN1	Enable Input (Regulator 1): Active-High Input. Logic-High = On; Logic-Low = Off. Do not leave floating.
6	NC	Not Internally Connected.
7	VOUT2	Regulator Output: LDO2.
8	VOUT1	Regulator Output: LDO1.

MIC5331

4.0 APPLICATION INFORMATION

MIC5331 is a tiny, dual, low quiescent current, 300 mA LDO. The MIC5331 regulator is fully protected from damage due to fault conditions, offering linear current limiting and thermal shutdown.

4.1 Input Capacitor

The MIC5331 is a high-performance, high bandwidth device. Therefore, it requires a well-bypassed input supply for optimal performance. A 1 μF capacitor is required from the input to ground to provide stability. Low-ESR ceramic capacitors provide optimal performance at a minimum of space. Additional high-frequency capacitors, such as small-valued NPO dielectric-type capacitors, help filter out high-frequency noise and are good practice in any RF-based circuit. X5R or X7R dielectrics are recommended for the input capacitor. Y5V dielectrics lose most of their capacitance over temperature and are therefore, not recommended.

4.2 Output Capacitor

The MIC5331 requires an output capacitor of 1 μF or greater to maintain stability. The design is optimized for use with low-ESR ceramic chip capacitors. High ESR capacitors may cause high frequency oscillation. The output capacitor can be increased, but performance has been optimized for a 1 μF ceramic output capacitor and does not improve significantly with larger capacitance.

X7R/X5R dielectric-type ceramic capacitors are recommended because of their temperature performance. X7R-type capacitors change capacitance by 15% over their operating temperature range and are the most stable type of ceramic capacitors. Z5U and Y5V dielectric capacitors change value by as much as 50% and 60%, respectively, over their operating temperature ranges. To use a ceramic chip capacitor with Y5V dielectric, the value must be much higher than an X7R ceramic capacitor to ensure the same minimum capacitance over the equivalent operating temperature range.

4.3 No-Load Stability

Unlike many other voltage regulators, the MIC5331 will remain stable and in regulation with no load. This is especially important in CMOS RAM keep-alive applications.

4.4 Enable/Shutdown

The MIC5331 comes with dual active-high enable pins that allow each regulator to be disabled independently. Forcing the enable pin low disables the regulator and sends it into a “zero” off-mode-current state. In this state, current consumed by the regulator goes nearly to

zero. Forcing the enable pin high enables the output voltage. The active-high enable pin uses CMOS technology and the enable pin cannot be left floating; a floating enable pin may cause an indeterminate state on the output.

4.5 Thermal Considerations

The MIC5331 is designed to provide 300 mA of continuous current for both outputs in a very small package. Maximum ambient operating temperature can be calculated based on the output current and the voltage drop across the part. For example, if the input voltage is 3.6V, the output voltage is 3.0V for V_{OUT1} , 2.8V for V_{OUT2} and the output current equals 300 mA for each output. The actual power dissipation of the regulator circuit can be determined using [Equation 4-1](#):

EQUATION 4-1:

$$P_D = (V_{IN} - V_{OUT1}) \times I_{OUT1} + (V_{IN} - V_{OUT2}) \times I_{OUT2} + V_{IN} \times I_{GND}$$

Because this device is CMOS and the ground current is typically $<100 \mu\text{A}$ over the load range, the power dissipation contributed by the ground current is $<1\%$ and can be ignored for this calculation.

EQUATION 4-2:

$$P_D = (3.6\text{V} - 3.0\text{V}) \times 300\text{mA} + (3.6\text{V} - 2.8\text{V}) \times 300\text{mA} = 0.42\text{W}$$

To determine the maximum ambient operating temperature of the package, use the junction-to-ambient thermal resistance of the device and the following basic equation:

EQUATION 4-3:

$$P_{D(MAX)} = \left(\frac{T_{J(MAX)} - T_A}{\theta_{JA}} \right)$$

Where:

$$\begin{aligned} T_{J(MAX)} &= 125^\circ\text{C} \\ \theta_{JA} &= 90^\circ\text{C/W} \end{aligned}$$

Substituting P_D for $P_{D(MAX)}$ and solving for the ambient operating temperature will give the maximum operating conditions for the regulator circuit. The junction-to-ambient thermal resistance for the minimum footprint is $90^{\circ}C/W$.

The maximum power dissipation must not be exceeded for proper operation.

For example, when operating the MIC5331-PMYMT at an input voltage of 3.6V and 300 mA loads at each output with a minimum footprint layout, the maximum ambient operating temperature T_A can be determined as follows:

EQUATION 4-4:

$$0.42 W = (125^{\circ} - T_A) \div 90^{\circ}C/W$$

$$T_A = 87.2^{\circ}C$$

Therefore, a 3.0V/2.8V application with 300 mA at each output current can accept an ambient operating temperature of $87^{\circ}C$ in a 2 mm x 2 mm TDFN package. For a full discussion of heat sinking and thermal effects on voltage regulators, refer to the “Regulator Thermals” section of Microchip’s [Designing with Low-Dropout Voltage Regulators](#) handbook.

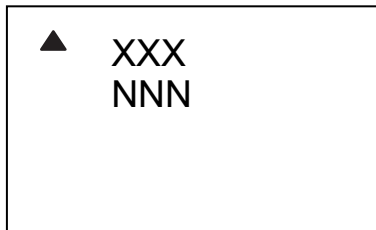
MIC5331

5.0 PACKAGING INFORMATION

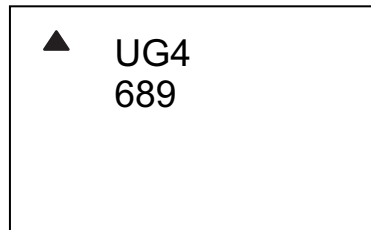
5.1 Package Marking Information

8-Pin TDFN*

Example



Manufacturing Part Number	Marking	Voltage
MIC5331-G4YMT	UG4	1.8V/1.2V
MIC5331-J4YMT	UJ4	2.5V/1.2V
MIC5331-MMYMT	UMM	2.8V/2.8V
MIC5331-MNYMT	UMN	2.8V/2.85V
MIC5331-NNYMT	UNN	2.85V/2.85V
MIC5331-PMYMT	UPM	3.0V/2.8V
MIC5331-PNYMT	UPN	3.0V/2.85V
MIC5331-PPYMT	UPP	3.0V/3.0V



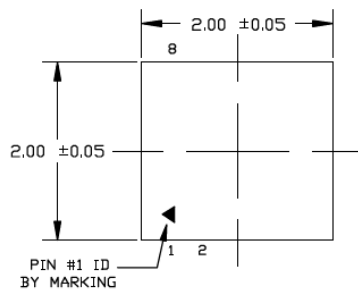
Legend:	XX...X	Product code or customer-specific information
	Y	Year code (last digit of calendar year)
	YY	Year code (last 2 digits of calendar year)
	WW	Week code (week of January 1 is week '01')
	NNN	Alphanumeric traceability code
	(e3)	Pb-free JEDEC® designator for Matte Tin (Sn)
	*	This package is Pb-free. The Pb-free JEDEC designator (e3) can be found on the outer packaging for this package.
	•, ▲, ▼	Pin one index is identified by a dot, delta up, or delta down (triangle mark).
Note:	In the event the full Microchip part number cannot be marked on one line, it will be carried over to the next line, thus limiting the number of available characters for customer-specific information. Package may or may not include the corporate logo.	
	Underbar (¯) and/or Overbar (¯) symbol may not be to scale.	

8-Lead 2 mm x 2 mm TDFN Package Outline and Recommended Land Pattern

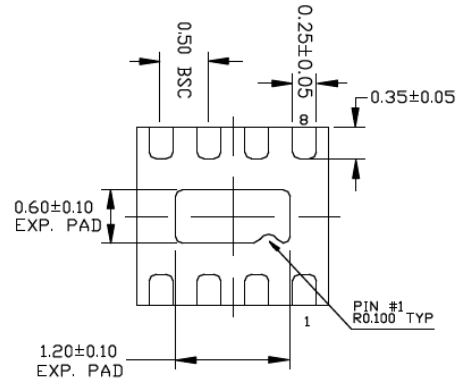
TITLE

8 LEAD TDFN 2x2mm PACKAGE OUTLINE & RECOMMENDED LAND PATTERN

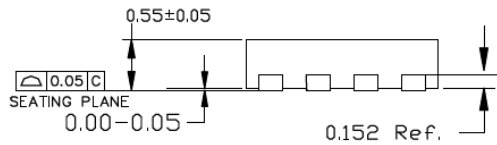
DRAWING #	TDFN22-8LD-PL-1	UNIT	MM
-----------	-----------------	------	----



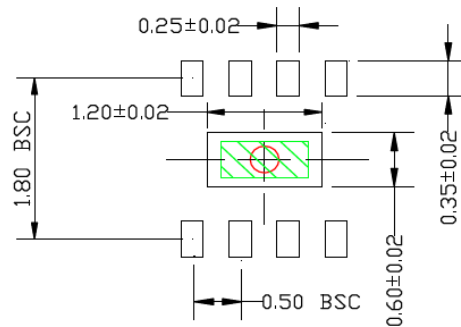
TOP VIEW
NOTE: 1, 2, 3



BOTTOM VIEW
NOTE: 1, 2, 3



END VIEW
NOTE: 1, 2, 3



RECOMMENDED LAND PATTERN
NOTE: 4, 5

- NOTE:
1. MAX PACKAGE WARPAGE IS 0.05 MM
 2. MAX ALLOWABLE BURR IS 0.076MM IN ALL DIRECTIONS
 3. PIN #1 IS ON TOP WILL BE LASER MARKED
 4. RED CIRCLE IN LAND PATTERN REPRESENTS THERMAL VIA. SIZE SHOULD BE 0.30-0.3 MM IN DIAMETER AND SHOULD BE CONNECTED TO GND FOR MAX THERMAL PERFORMANCE
 5. GREEN RECTANGLES (SHADED AREA) REPRESENTS SOLDER STENCIL OPENING ON EXPOSED PAD AREA. SIZE SHOULD BE 0.40x0.90 MM.

Note: For the most current package drawings, please see the Microchip Packaging Specification located at <http://www.microchip.com/packaging>.

MIC5331

NOTES:

APPENDIX A: REVISION HISTORY

Revision A (October 2017)

- Converted Micrel document MIC5331 to Microchip data sheet DS20005874A.
- Minor text changes throughout.

MIC5331

NOTES:

PRODUCT IDENTIFICATION SYSTEM

To order or obtain information, e.g., on pricing or delivery, contact your local Microchip representative or sales office.

<u>PART NO.</u>	<u>-XX</u>	<u>X</u>	<u>XX</u>	<u>-XX</u>
Device	Output Voltage	Junction Temp. Range	Package	Media Type
Device:	MIC5331:	Micro-Power High Performance Dual 300 mA ULDO		
Output Voltage:	G4 =	1.8V/1.2V		
	J4 =	2.5V/1.2V		
	MM =	2.8V/2.8V		
	MN =	2.8V/2.85V		
	NN =	2.85V/2.85V		
	PM =	3.0V/2.8V		
	PN =	3.0V/2.85V		
	PP =	3.0V/3.0V		
Junction Temperature Range:	Y =	-40°C to +125°C		
Package:	MT =	8-Lead 2 mm x 2 mm x 0.6 mm TDFN		
Media Type:	TR =	5,000/Reel		

Examples:	<p>a) MIC5331-G4YMT-TR: Micro-Power High Performance Dual 300 mA ULDO, 1.8V/1.2V Output Voltage, -40°C to +125°C, 8-Lead TDFN, 5,000/Reel</p> <p>b) MIC5331-MMYMT-TR: Micro-Power High Performance Dual 300 mA ULDO, 2.8V/2.8V Output Voltage, -40°C to +125°C, 8-Lead TDFN, 5,000/Reel</p> <p>c) MIC5331-PMYMT-TR: Micro-Power High Performance Dual 300 mA ULDO, 3.0V/2.8V Output Voltage, -40°C to +125°C, 8-Lead TDFN, 5,000/Reel</p> <p>d) MIC5331-NNYMT-TR: Micro-Power High Performance Dual 300 mA ULDO, 2.85V/2.85V Output Voltage, -40°C to +125°C, 8-Lead TDFN, 5,000/Reel</p> <p>e) MIC5331-PPYMT-TR: Micro-Power High Performance Dual 300 mA ULDO, 3.0V/3.0V Output Voltage, -40°C to +125°C, 8-Lead TDFN, 5,000/Reel</p>
Note 1:	Tape and Reel identifier only appears in the catalog part number description. This identifier is used for ordering purposes and is not printed on the device package. Check with your Microchip Sales Office for package availability with the Tape and Reel option.

MIC5331

NOTES:

Note the following details of the code protection feature on Microchip devices:

- Microchip products meet the specification contained in their particular Microchip Data Sheet.
- Microchip believes that its family of products is one of the most secure families of its kind on the market today, when used in the intended manner and under normal conditions.
- There are dishonest and possibly illegal methods used to breach the code protection feature. All of these methods, to our knowledge, require using the Microchip products in a manner outside the operating specifications contained in Microchip's Data Sheets. Most likely, the person doing so is engaged in theft of intellectual property.
- Microchip is willing to work with the customer who is concerned about the integrity of their code.
- Neither Microchip nor any other semiconductor manufacturer can guarantee the security of their code. Code protection does not mean that we are guaranteeing the product as “unbreakable.”

Code protection is constantly evolving. We at Microchip are committed to continuously improving the code protection features of our products. Attempts to break Microchip's code protection feature may be a violation of the Digital Millennium Copyright Act. If such acts allow unauthorized access to your software or other copyrighted work, you may have a right to sue for relief under that Act.

Information contained in this publication regarding device applications and the like is provided only for your convenience and may be superseded by updates. It is your responsibility to ensure that your application meets with your specifications. MICROCHIP MAKES NO REPRESENTATIONS OR WARRANTIES OF ANY KIND WHETHER EXPRESS OR IMPLIED, WRITTEN OR ORAL, STATUTORY OR OTHERWISE, RELATED TO THE INFORMATION, INCLUDING BUT NOT LIMITED TO ITS CONDITION, QUALITY, PERFORMANCE, MERCHANTABILITY OR FITNESS FOR PURPOSE. Microchip disclaims all liability arising from this information and its use. Use of Microchip devices in life support and/or safety applications is entirely at the buyer's risk, and the buyer agrees to defend, indemnify and hold harmless Microchip from any and all damages, claims, suits, or expenses resulting from such use. No licenses are conveyed, implicitly or otherwise, under any Microchip intellectual property rights unless otherwise stated.

Microchip received ISO/TS-16949:2009 certification for its worldwide headquarters, design and wafer fabrication facilities in Chandler and Tempe, Arizona; Gresham, Oregon and design centers in California and India. The Company's quality system processes and procedures are for its PIC[®] MCUs and dsPIC[®] DSCs, KEELoQ[®] code hopping devices, Serial EEPROMs, microperipherals, nonvolatile memory and analog products. In addition, Microchip's quality system for the design and manufacture of development systems is ISO 9001:2000 certified.

**QUALITY MANAGEMENT SYSTEM
CERTIFIED BY DNV
= ISO/TS 16949 =**

Trademarks

The Microchip name and logo, the Microchip logo, AnyRate, AVR, AVR logo, AVR Freaks, BeaconThings, BitCloud, CryptoMemory, CryptoRF, dsPIC, FlashFlex, flexPWR, Heldo, JukeBlox, KEELoQ, KEELoQ logo, Kleer, LANCheck, LINK MD, maXStylus, maXTouch, MediaLB, megaAVR, MOST, MOST logo, MPLAB, OptoLyzer, PIC, picoPower, PICSTART, PIC32 logo, Prochip Designer, QTouch, RightTouch, SAM-BA, SpyNIC, SST, SST Logo, SuperFlash, tinyAVR, UNI/O, and XMEGA are registered trademarks of Microchip Technology Incorporated in the U.S.A. and other countries.

ClockWorks, The Embedded Control Solutions Company, EtherSynch, Hyper Speed Control, HyperLight Load, IntelliMOS, mTouch, Precision Edge, and Quiet-Wire are registered trademarks of Microchip Technology Incorporated in the U.S.A.

Adjacent Key Suppression, AKS, Analog-for-the-Digital Age, Any Capacitor, AnyIn, AnyOut, BodyCom, chipKIT, chipKIT logo, CodeGuard, CryptoAuthentication, CryptoCompanion, CryptoController, dsPICDEM, dsPICDEM.net, Dynamic Average Matching, DAM, ECAN, EtherGREEN, In-Circuit Serial Programming, ICSP, Inter-Chip Connectivity, JitterBlocker, KleerNet, KleerNet logo, Mindi, MiWi, motorBench, MPASM, MPF, MPLAB Certified logo, MPLIB, MPLINK, MultiTRAK, NetDetach, Omniscient Code Generation, PICDEM, PICDEM.net, PICKit, PICtail, PureSilicon, QMatrix, RightTouch logo, REAL ICE, Ripple Blocker, SAM-ICE, Serial Quad I/O, SMART-I.S., SQI, SuperSwitcher, SuperSwitcher II, Total Endurance, TSHARC, USBCheck, VariSense, ViewSpan, WiperLock, Wireless DNA, and ZENA are trademarks of Microchip Technology Incorporated in the U.S.A. and other countries.

SQTP is a service mark of Microchip Technology Incorporated in the U.S.A.

Silicon Storage Technology is a registered trademark of Microchip Technology Inc. in other countries.

GestIC is a registered trademark of Microchip Technology Germany II GmbH & Co. KG, a subsidiary of Microchip Technology Inc., in other countries.

All other trademarks mentioned herein are property of their respective companies.

© 2017, Microchip Technology Incorporated, All Rights Reserved.
ISBN: 978-1-5224-2253-2