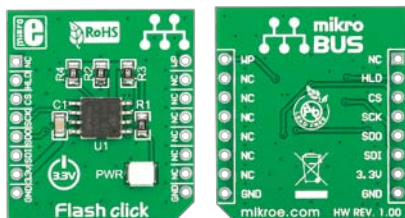


Flash click™

1. Introduction



Flash Click™ is an accessory board in **mikroBUS™** form factor. It's a compact and easy solution for adding more flash memory to your device. It features **M25P80** - 8Mb serial Flash memory module with advanced hardware write protection mechanisms. Flash Click™ communicates with the target board via SPI interface. The board is designed to use 3.3V power supply only. It has a LED diode (GREEN) that indicates the presence of power supply.

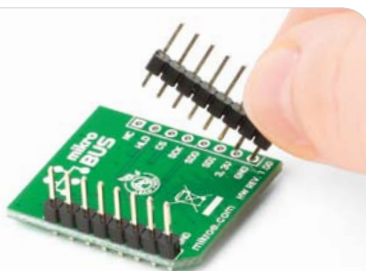
2. Soldering the headers

Before using your click board™, make sure to solder 1x8 male headers to both left and right side of the board. Two 1x8 male headers are included with the board in the package.



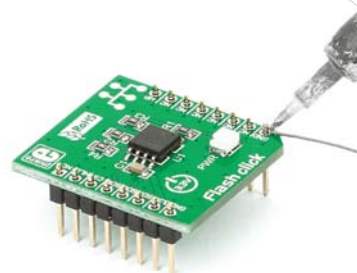
1

2



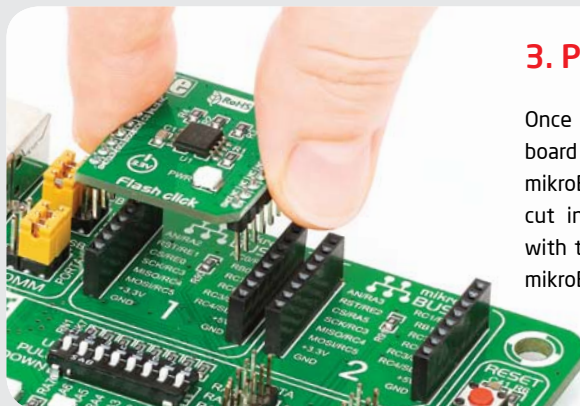
Turn the board upside down so that bottom side is facing you upwards. Place shorter parts of the header pins in both soldering pad locations.

3

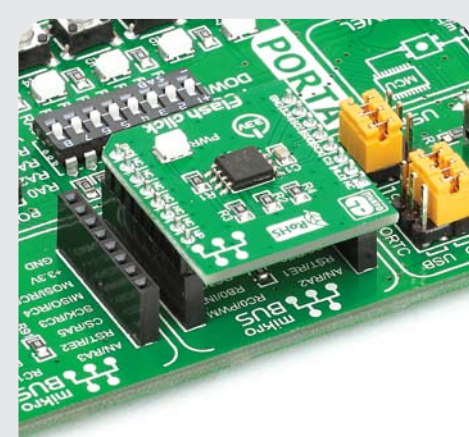


Turn the board upward again. Make sure to align the headers so that they are perpendicular to the board, then solder the pins carefully.

3. Plugging the board in



Once you have soldered the headers your board is ready to be placed into desired mikroBUS™ socket. Make sure to align the cut in the lower-right part of the board with the markings on the silkscreen at the mikroBUS™ socket. If all of the pins are aligned correctly, push the board all the way into the socket.



4. Essential features

Flash Click™ with its **M25P80** module gives additional 8Mb of Flash memory to your design. The **M25P80** supports high-performance commands for clock frequency up to 75MHz. It is divided in 16 sectors, each containing 256 pages. Each page is 256 bytes wide. Memory can be viewed either as 4,096 pages or as 1,048,576 bytes.

click™
BOARD
www.mikroe.com

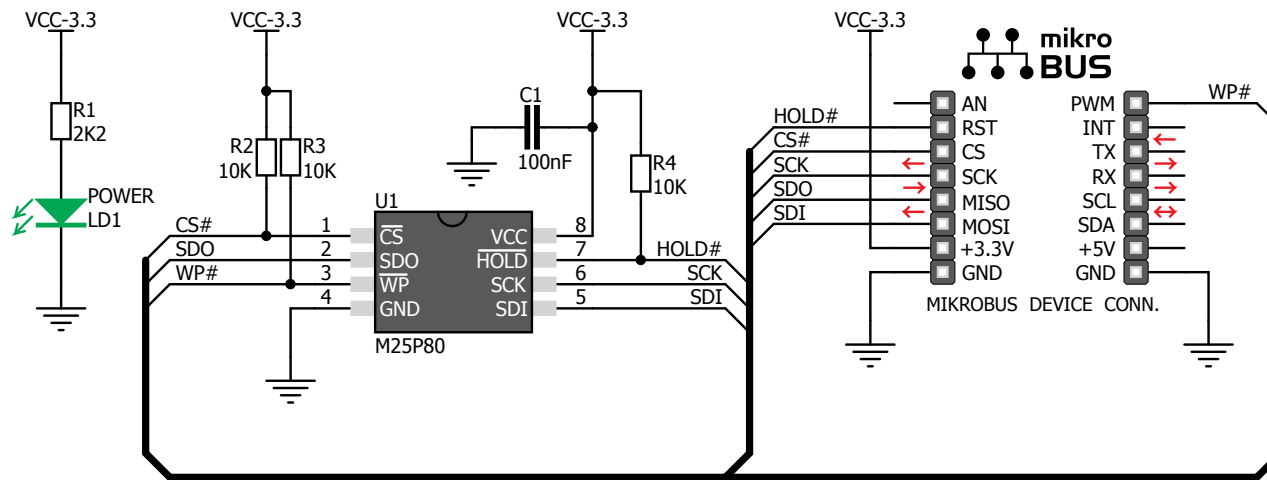


Flash click Manual
ver. 1.00



0 100000 021057

5. Flash Click™ Board Schematic



6. Power supply - 3.3V only



The board is designed to use 3.3V power supply only. If you need to add serialFlash memory module to your 5V development board, we recommend you to use other boards such as the SerialFlash board:

<http://www.mikroe.com/eng/products/view/441/serialflash-board/>

7. Code Examples

Once you have done all the necessary preparations, it's time to get your click board up and running. We have provided the examples for mikroC, mikroBasic and mikroPascal compilers on our **Libstock** website. Just download them and you are ready to start.



8. Support

MikroElektronika offers **Free Tech Support** (www.mikroe.com/esupport) until the end of product lifetime, so if something goes wrong, we are ready and willing to help!