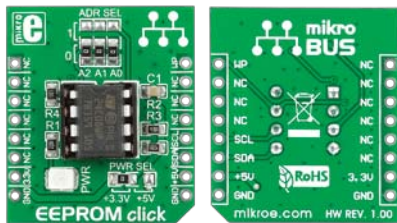




EEPROM click™

1. Introduction



EEPROM Click™ is an accessory board in **mikroBUS™** form factor. It's a compact and easy solution for adding more EEPROM memory to your device. It features DIP **24C08** 8kbit serial EEPROM module in DIP 8 socket. EEPROM Click™ communicates with target board via I²C interface. The board is designed to use 3.3V and 5V power supply. It has a LED diode (GREEN) that indicates the presence of power supply.

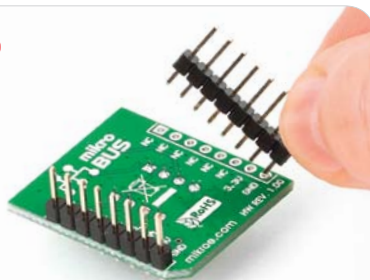
2. Soldering the headers

Before using your click board™, make sure to solder 1x8 male headers to both left and right side of the board. Two 1x8 male headers are included with the board in the package.



1

2



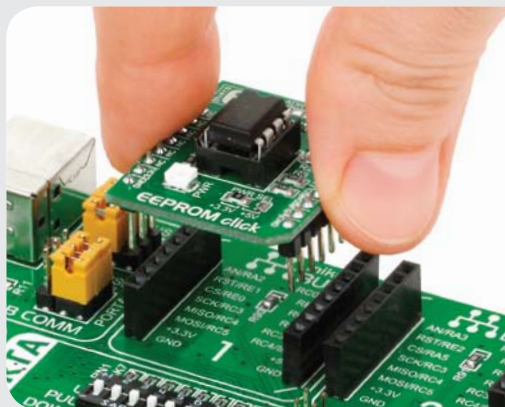
Turn the board upside down so that bottom side is facing you upwards. Place shorter parts of the header pins in both soldering pad locations.

3

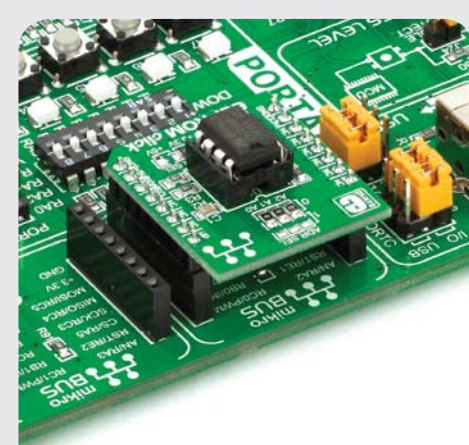


Turn the board upward again. Make sure to align the headers so that they are perpendicular to the board, then solder the pins carefully.

3. Plugging the board in



Once you have soldered the headers your board is ready to be placed into desired mikroBUS™ socket. Make sure to align the cut in the lower-right part of the board with the markings on the silkscreen at the mikroBUS™ socket. If all of the pins are aligned correctly, push the board all the way into the socket.



4. Essential features

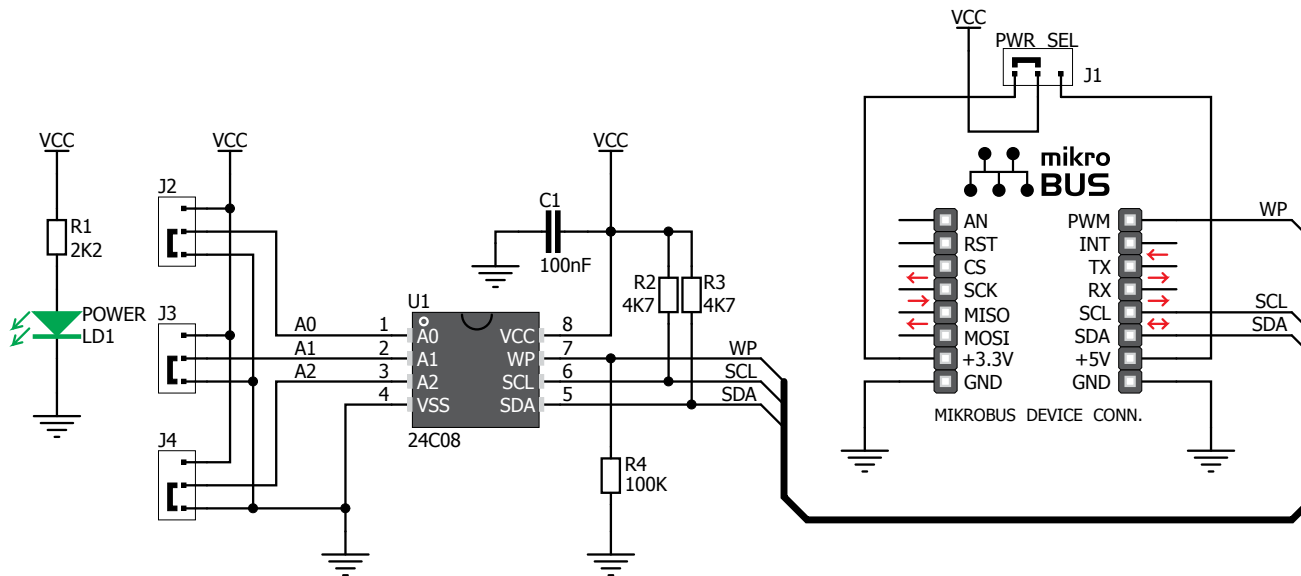
EEPROM Click™ with its DIP **24C08** module gives additional 8kbit EEPROM memory to your design. The **24C08** module supports both the 100kHz I²C standard-mode and the 400kHz I²C fast-mode. It has write control input, byte or page write (up to 16 bytes), random and sequential read modes and automatic address incrementing. You can put other EEPROM chip with different capacity in DIP8 socket.

click™
BOARD
www.mikroe.com

EEPROM click Manual
ver. 1.00



5. EEPROM Click™ Board Schematic



6. SMD Jumpers

With **J2**, **J3** and **J4** SMD jumpers you can assign the unique 3-bit chip enable address (A0, A1, A2) to each DIP EEPROM memory. There is a limited number of EEPROMs you can connect to the same I²C bus depending on the memory capacity (eg. 1x16Kbit, 2x8Kbit, 4x4Kbit, 8x2Kbit or 8x1Kbit). SMD jumper **J1** is used to select 5V or 3.3V power supply (default position is 3.3V).

7. Code Examples

Once you have done all the necessary preparations, it's time to get your click board up and running. We have provided the examples for mikroC, mikroBasic and mikroPascal compilers on our **Libstock** website. Just download them and you are ready to start.



8. Support

MikroElektronika offers **Free Tech Support** (www.mikroe.com/esupport) until the end of product lifetime, so if something goes wrong, we are ready and willing to help!