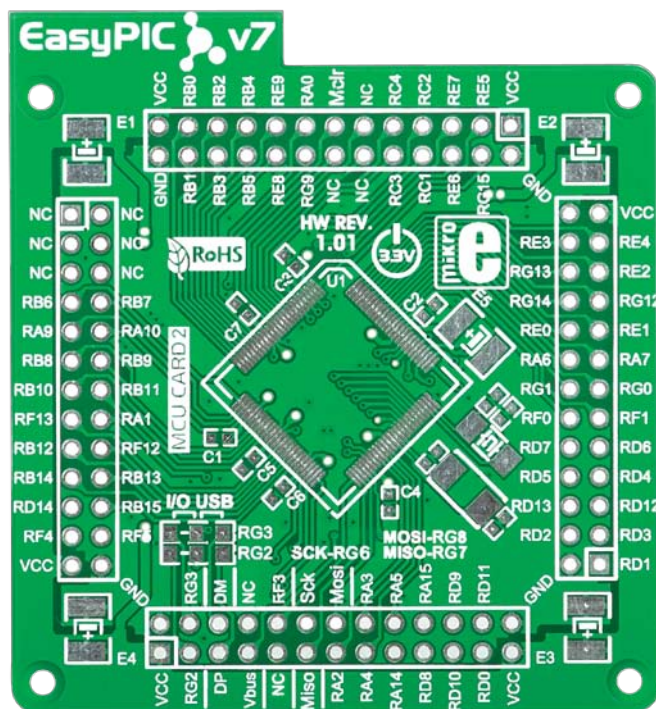


# Empty 100-pin TQFP PT MCU CARD 2



## Supported microcontrollers

*PIC32MX320F128L*

*PIC32MX340F128L*

*PIC32MX360F256L*

*PIC32MX360F512*

*PIC32MX440F128*

*PIC32MX460F256L*

*PIC32MX460F512L*

## Bill of Materials for PT MCU card 2

Designator	Comment	Footprint
C1	100nF	0603
C2	100nF	0603
C3	100nF	0603
C4	100nF	0603
C5	100nF	0603
C6	100nF	0603
C7	100nF	0603
C8	22pF	0603
C9	22pF	0603
C10	22pF	0603
C11	22pF	0603
E1	10uF	ELCO CASE-B
E2	10uF	ELCO CASE-B
E3	10uF	ELCO CASE-B
E4	10uF	ELCO CASE-B
E5	10uF	ELCO CASE-B
HD1	M2X26	HEADER 2x13A
HD2	M2X26	HEADER 2x13B
HD3	M2X26	HEADER 2x13C
HD4	M2X26	HEADER 2x13D
J1	OR	0805 DUAL
J2	OR	0805 DUAL
U1	MICROCONTROLLER	LQFP-100
X1	8MHz	CRYSTAL ABM7 SMD V2
X2	32.768KHz	FC-255

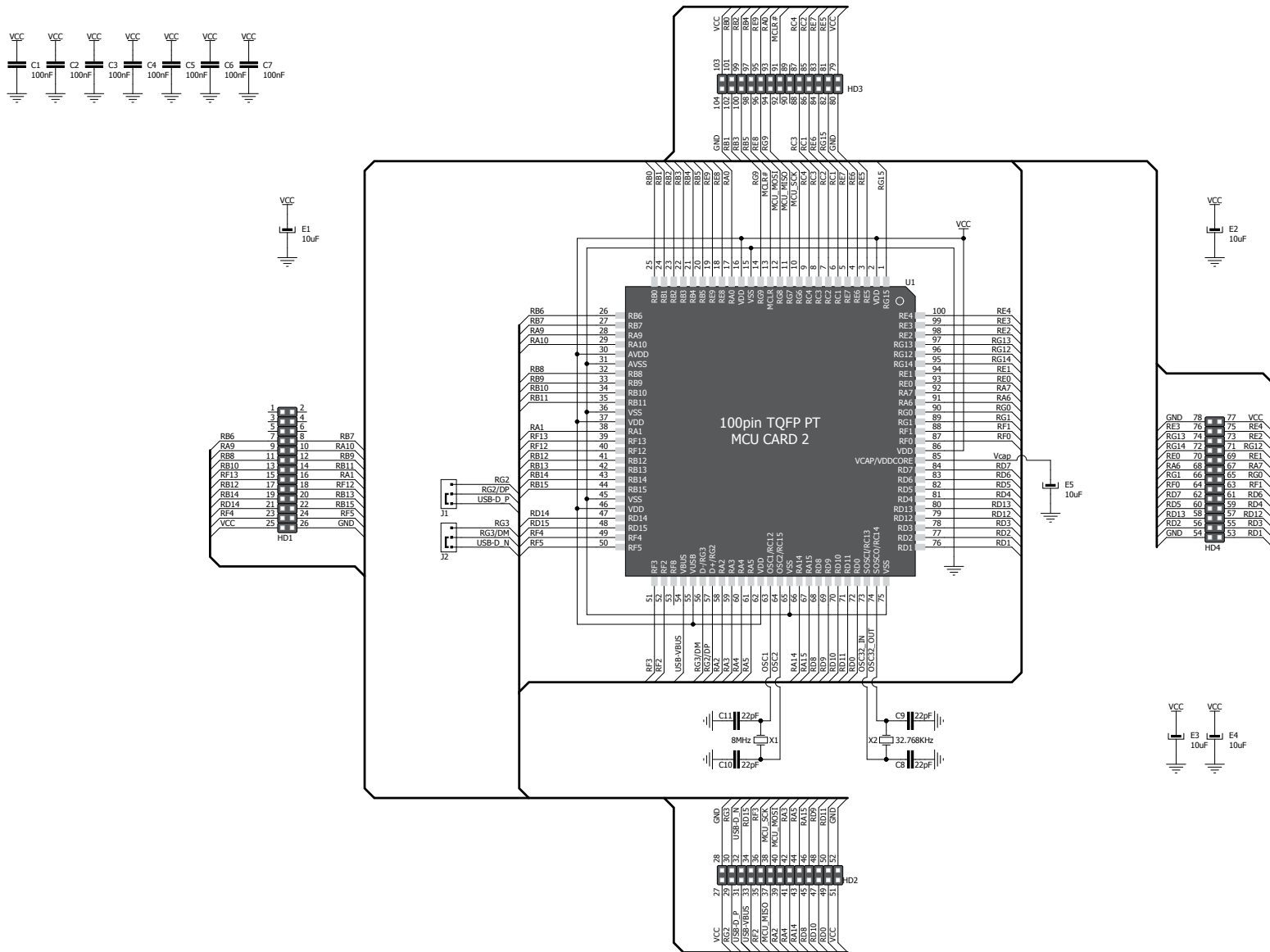


Figure 1: MCU card schematic

# Card dimensions

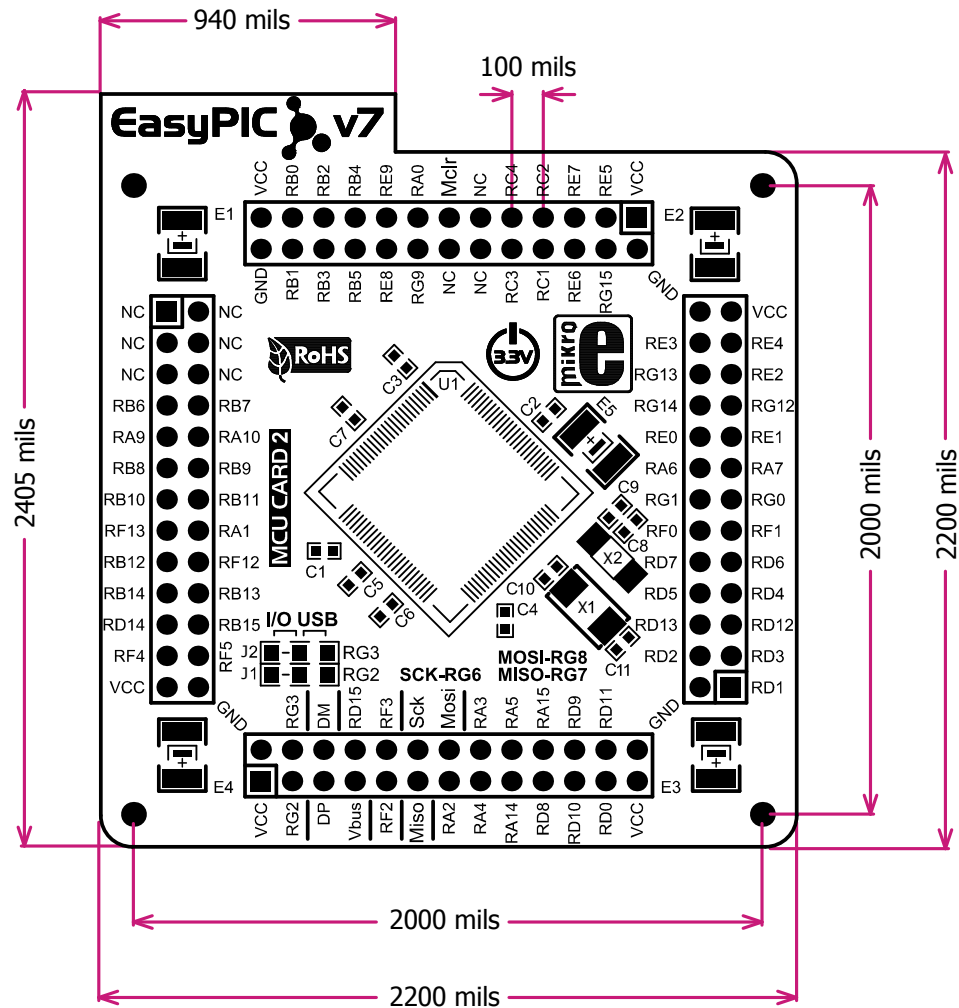


Figure 2: MCU card dimensions.