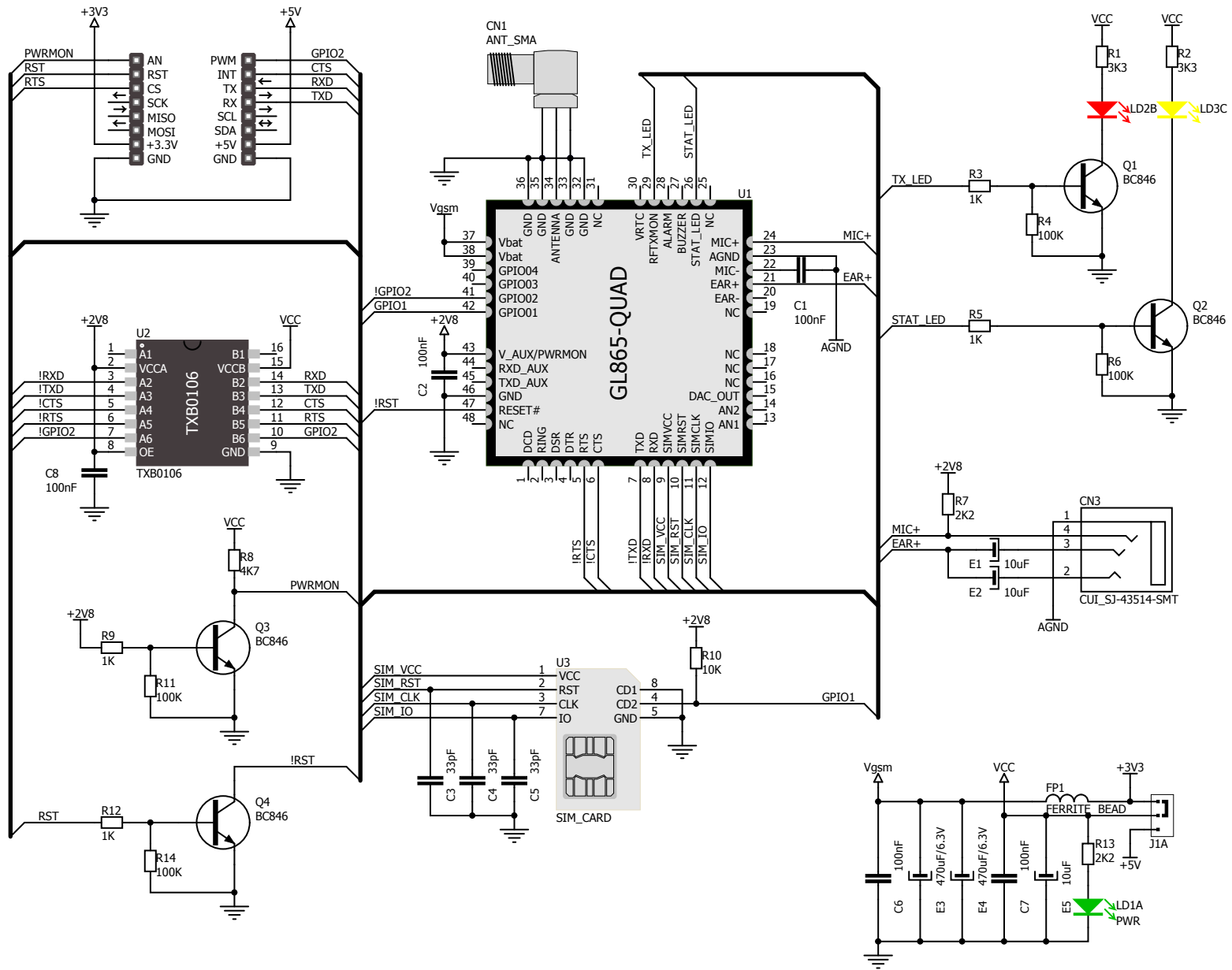


GSM click schematic v101



www.mikroe.com