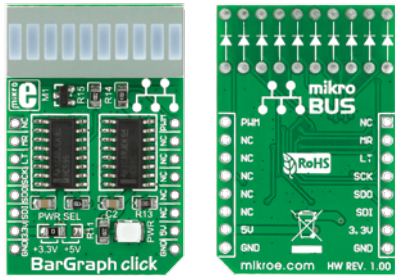


BarGraph click™

1. Introduction



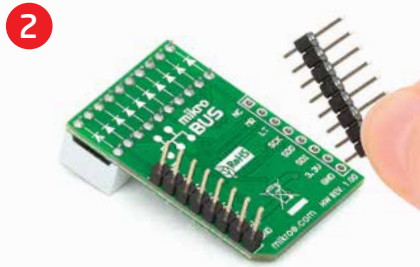
BarGraph Click™ is an accessory board in **mikroBUS™** form factor. It's a compact and easy solution for adding ten-segment light bar display to your design. It features **JSB-R102510Z** light bar display as well as two **74HC595** shift registers. BarGraph Click™ communicates with the target board microcontroller via **mikroBUS™** SPI (MOSI, MISO, SCK, CS), RST and PWM lines. The board is designed to use 3.3V and 5V power supply. LED diode (GREEN) indicates the presence of power supply.

2. Soldering the headers

Before using your click board™, make sure to solder 1x8 male headers to both left and right side of the board. Two 1x8 male headers are included with the board in the package.



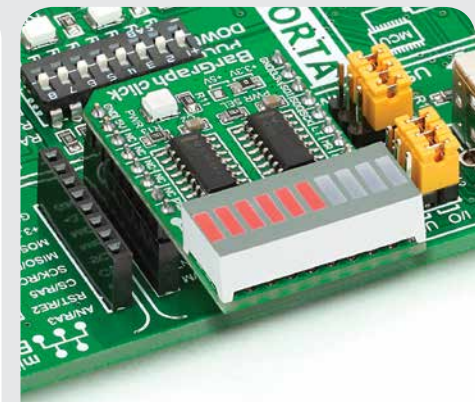
1



Turn the board upside down so that bottom side is facing you upwards. Place shorter parts of the header pins in both soldering pad locations.



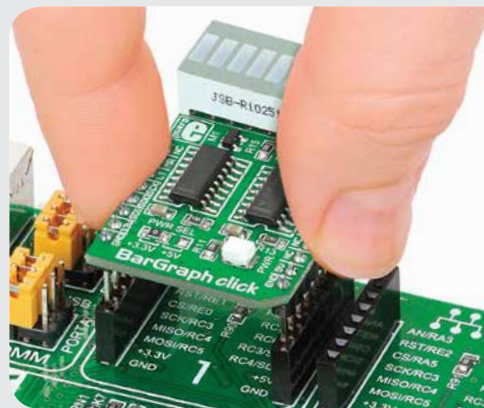
Turn the board upward again. Make sure to align the headers so that they are perpendicular to the board, then solder the pins carefully.



4. Essential features

BarGraph Click™ with its **JSB-R102510Z** and **74HC595** ICs gives additional 10 segment light bar display to your design. The **74HC595** IC contains an 8-bit serial-in, parallel/serial-out shift register as well as 8-bit storage register. The storage registers has parallel 3-state outputs. Separate clocks are provided for both the shift and storage register. Shift register has a direct overriding clear input.

3. Plugging the board in

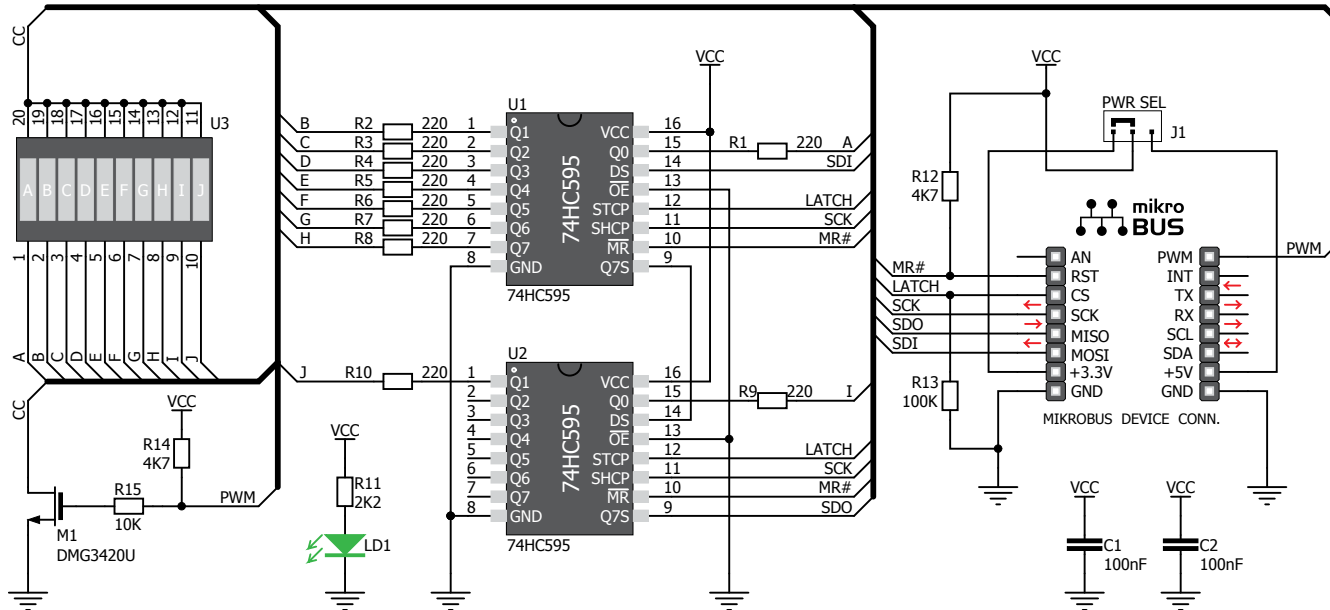


Once you have soldered the headers your board is ready to be placed into desired mikroBUS™ socket. Make sure to align the cut in the lower-right part of the board with the markings on the silkscreen at the mikroBUS™ socket. If all of the pins are aligned correctly, push the board all the way into the socket.

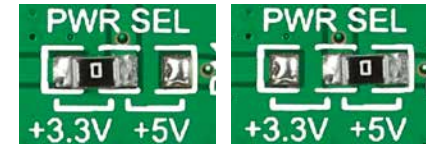


BarGraph click Manual
ver. 1.00
0 100000 023754

5. BarGraph Click™ Board Schematic



6. SMD Jumpers



There is one zero-ohm SMD jumper **J1** used to select whether 3.3V or 5V power supply is used. Jumper **J1** is soldered in 3.3V position by default.

7. Code Examples

Once you have done all the necessary preparations, it's time to get your click board up and running. We have provided the examples for mikroC, mikroBasic and mikroPascal compilers on our **Libstock** website. Just download them and you are ready to start.



8. Support

MikroElektronika offers **Free Tech Support** (www.mikroe.com/esupport) until the end of product lifetime, so if something goes wrong, we are ready and willing to help!