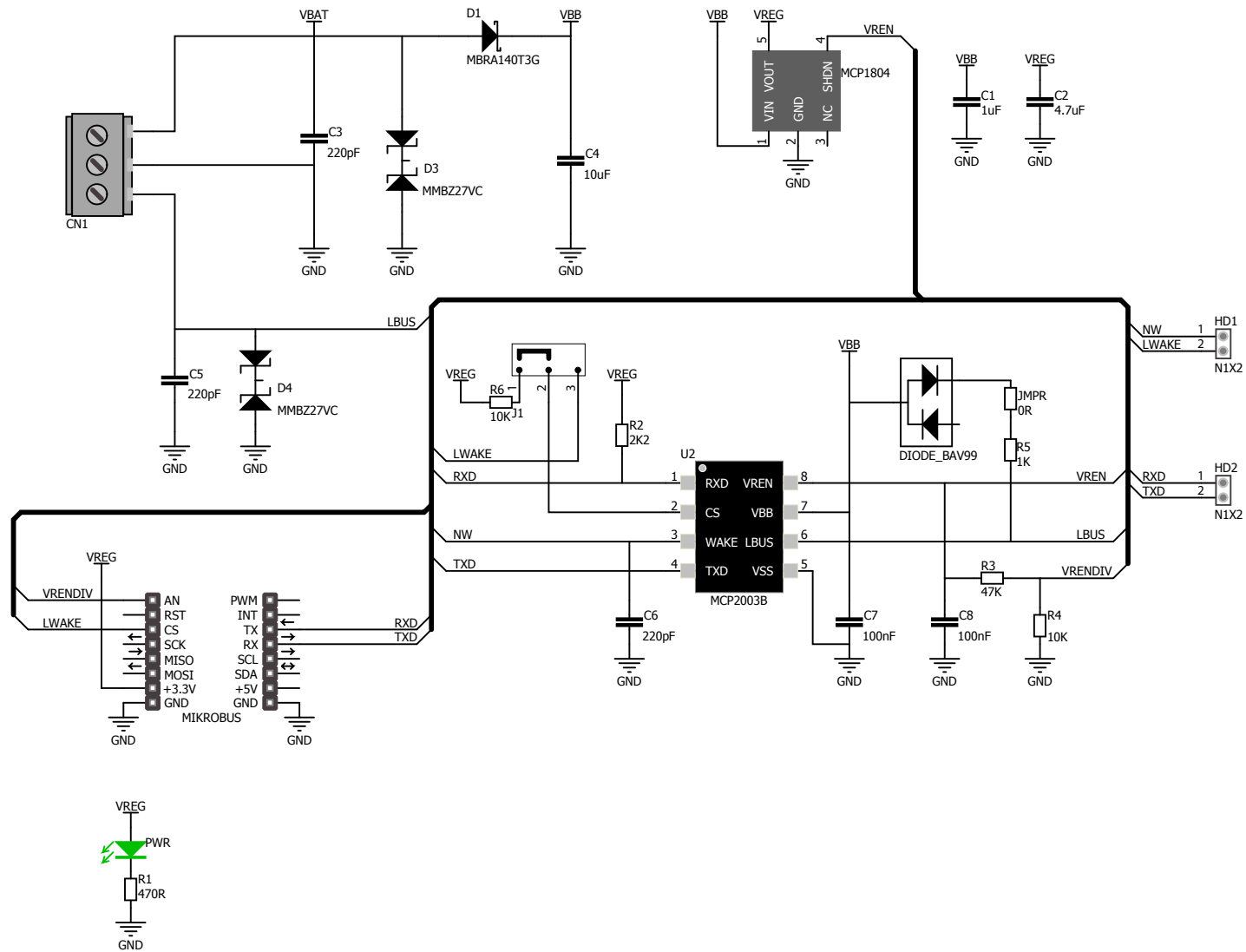


MCP2003B click schematic v100



www.mikroe.com