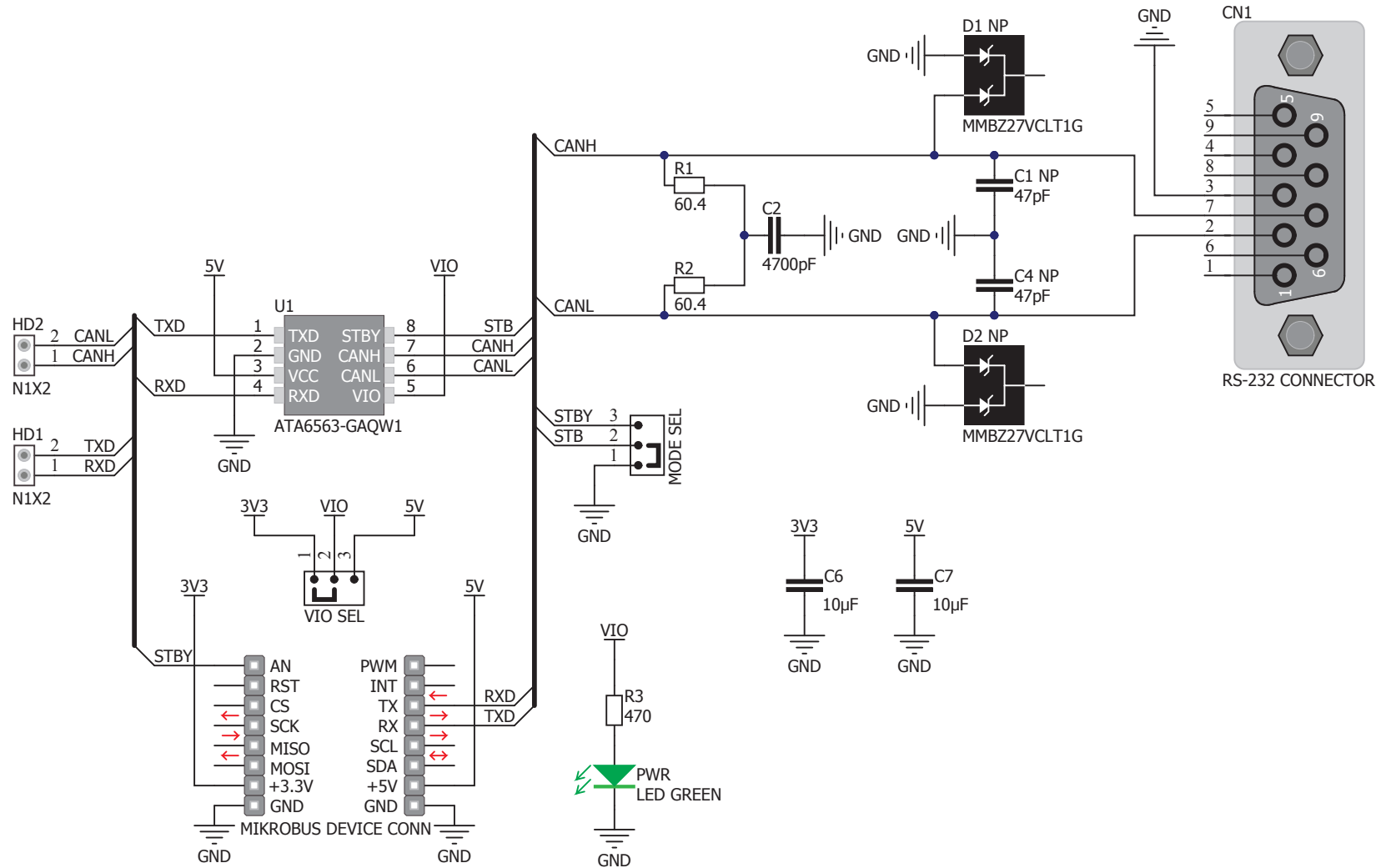


ATA6563 click schematic v100



www.mikroe.com