

READERS WITHOUT LED

CZ-0-PIN (2xPIN)

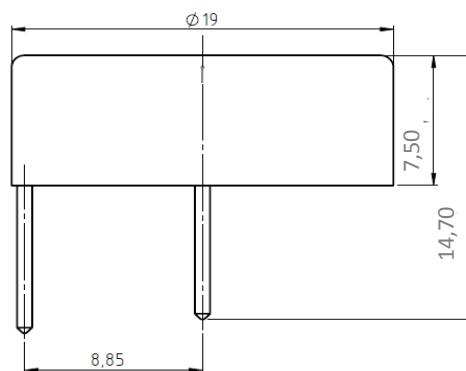
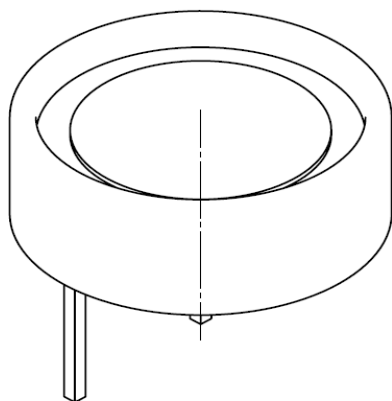


All metall parts are chromium-plated

Also available in stainless steel [SUS316]

Two mounting pins

Reader tead to install on PCB



Technical data for chromium plated version

The reader is designer to work with Maxim Dallas chips series DS19xx

1. Dedications of Pins version 2/4	Middle Pins- 1 wire signal Outer Pins - GND
2. Application	Acces control device
3. Ring material	Chromium plated steel
4. Fastening method	Directly onto PCB
5. Work enviroment	Residential, commercial and lightly industrial
6. Working temperature	From -40 °C to +85 °C
7. Humidity	Up to 70%

DEMIURG W.WOJTASIK, R.WROŃSKA WOJTASIK, T.WOJTASIK s.c.

ul. Pustynna 66

93-479 Łódź

tel./fax: 042 636 70 70