

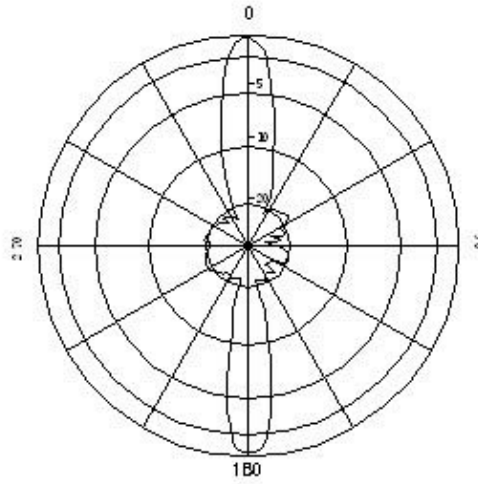
WIFI Rubber Antenna Specification



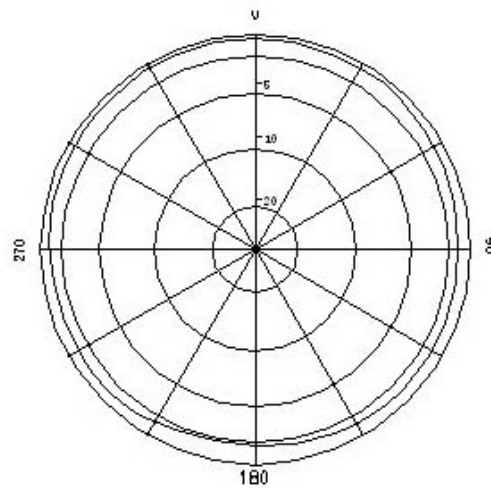
Main Technical Specifications

Frequency Range	2400-2500MHz
Gain	9DB
VSWR	≤1.5:1
Input Impedance	50ohm
Polarization Type	Vertical
Radiation	Omni
Max Input power	50w
Antenna Length	295mm
Connector Type	SMA/BNC etc.
Antenna Color	Black
Storage Temperature	-30°C to +75°C

Characteristic curve



Vertical Pattern



Horizontal Pattern

	FRE (MHz)	Max dBi	Min dBi
	2400	9.13	8.97
	2450	9.25	9.06
	2500	9.16	9.02