

IIC Interface Embedded 3D Pedometer Module STP201M

---for Wrist pedometer products (like pedometer bracelet and watch)

I. Description

STP201M is a 3D pedometer module with functional IC chipset which include a G-sensor and MCU. It has adopted the standard IIC interface, with the 3D MEMS sensor (G sensor) and high precision of 3D pedometer algorithm, it can give a precisely pedometer in any direction. This chipset has the characteristics of small size, low power consumption and etc. The standard I2C digital interface ensures it can be easily embedded in various kinds of pedometer functional system

★Note:The algorithm of our pedometer is adjustable according to customer's requirement. We can provide the pedometer for shoes, table class pedometer and bracelet pedometer wearing on wrist, pedometer wearing on waist and pedometer putting inside the pocket.

Pls indicate clearly when purchasing.

II. Features

- High precision 3D pedometer algorithm
- Ultra-small size
- Low sleep current
- IIC interface

III. Application

- 3D pedometer
- MP3 pedometer
- Outdoor handheld
- Healthcare products
- Pedometer shoes

IV. Performance parametric

Parametric	condition	performance			Unit
		MIN	TYP	MAX	
Working voltage		2.3	3	3.6	v
Working current	@3V		60		uA
Sleep current			< 5		uA
Pedometer resolution			1		Step

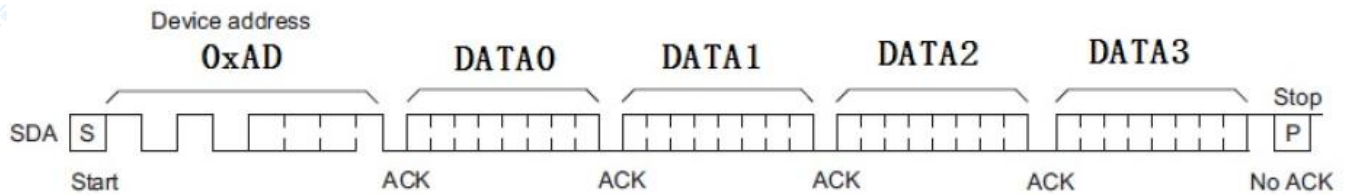
Pedometer error	Uniform working		±3%		Step
Working temperature		-10		50	°C
Storage temperature		-10		50	°C

V. Working mode

1) Normal work

When detected step action, module will enter normal working mode, users can read the step value by I2C interface. The I2C communication protocol is as below

Current Read Timing



DATA0: step lower byte

DATA1: step high byte

DATA2: = DATA0 + DATA1

DATA3: = DATA2

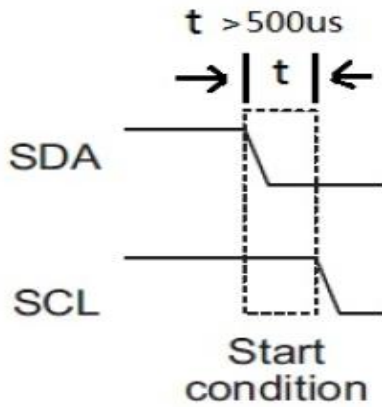
When the steps overflow, it count from 0

The steps will be cleared when DATA3 is read.

★Note: All the bytes are hexadecimal

2) Sleeping mode

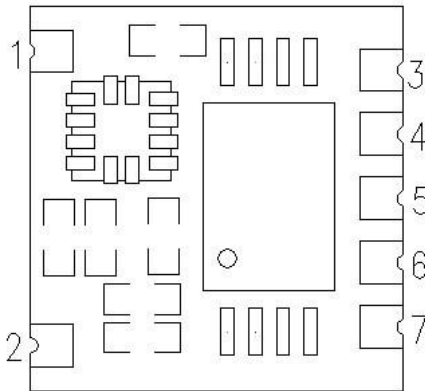
The chipset will enter normal working mode when step action is detected, and enter sleeping mode if no step action is detected for 20s. In sleep mode the G sensor doesn't work, the MCU will enter deep sleeping mode and the whole module is in low power consumption.



★Note: This module can be wakeup by I2C interface. There are some limitations when the module is wakeup by I2C interface. For the first “start” command of the I2C protocol, the SCL will have to hold at least 500us to wake up MCU. The maximum I2C clock is 100 KHz.

Also: STEP_OUT: The chipset can output the pulse for each step atciton, the high level of the pulse signal is around 50 ms.

VI. Pin Definition:



Pin NO.	Pin name	Description
1	GND	Connect ground
2	GND	Connect ground
3	VCC	Connect positive power 2.3-3.6V
4	GND	Connect ground
5	SCK	I2C clock output
6	SDA	I2C data output
7	STEP	Puls-output pin

VII. Dimension: