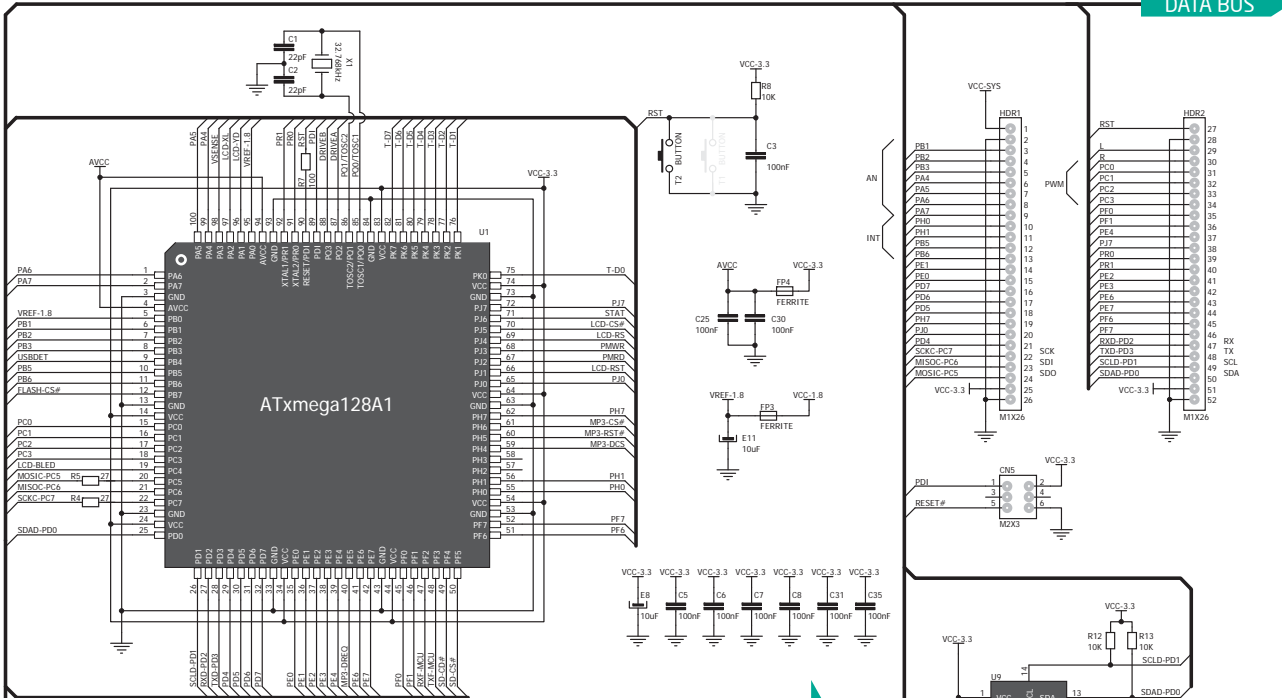


mikromedia™ for XMEGA®

We present you with a complete color schematics for mikromedia™ for XMEGA® development board. We want you to know what your board is consisted of and how it actually works.



Schematic continues overleaf

